



GSR 18V-90 FC Professional

HEAVY
DUTY

Robert Bosch Power Tools GmbH
70538 Stuttgart
GERMANY

www.bosch-pt.com

1 609 92A 9UZ (2024.10) TAG / 110



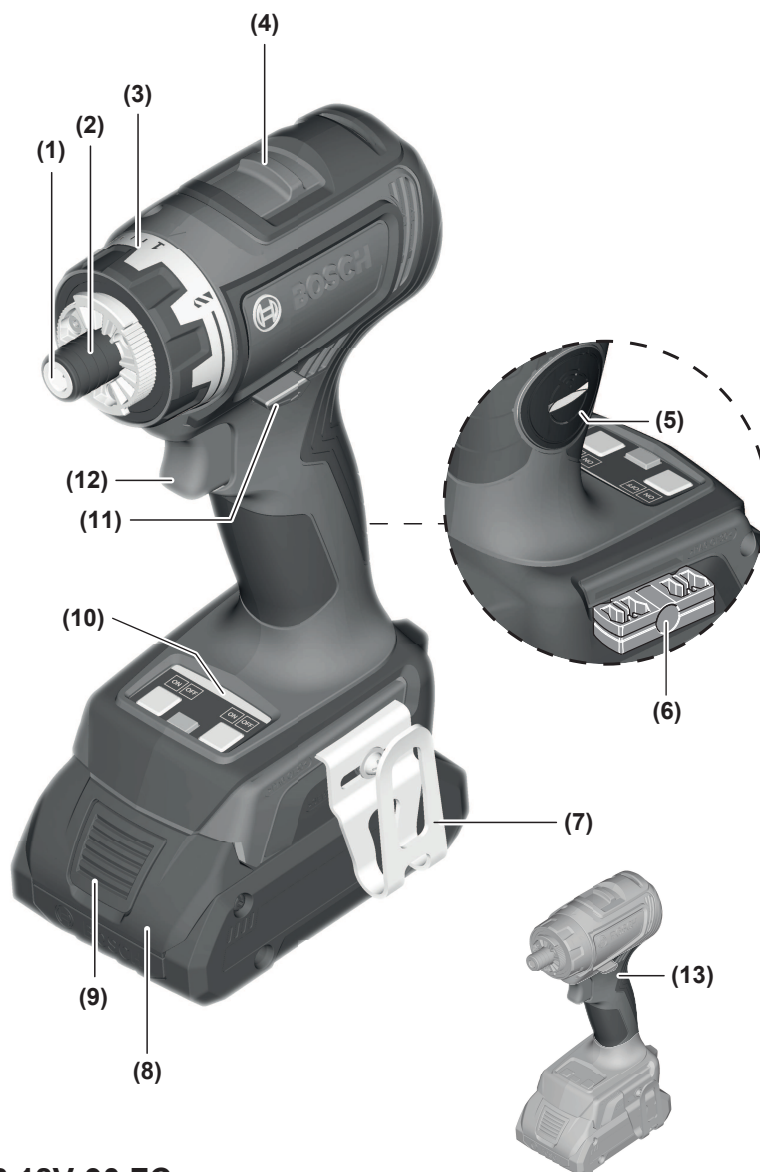
1 609 92A 9UZ

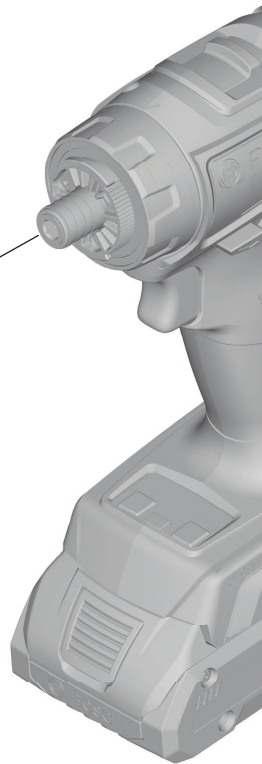
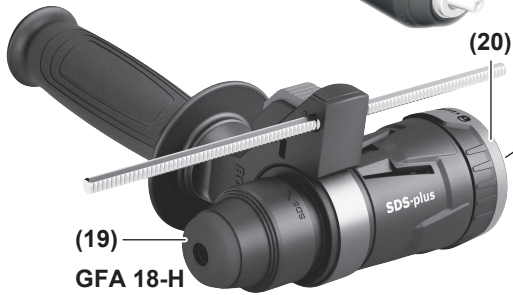
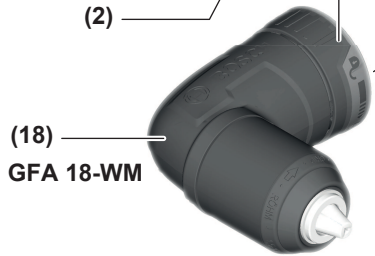
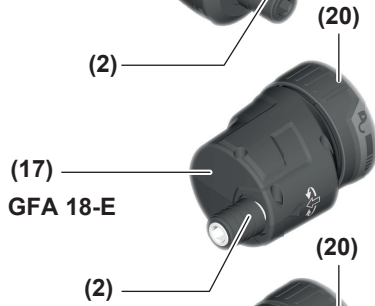
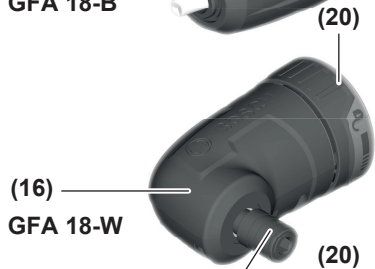


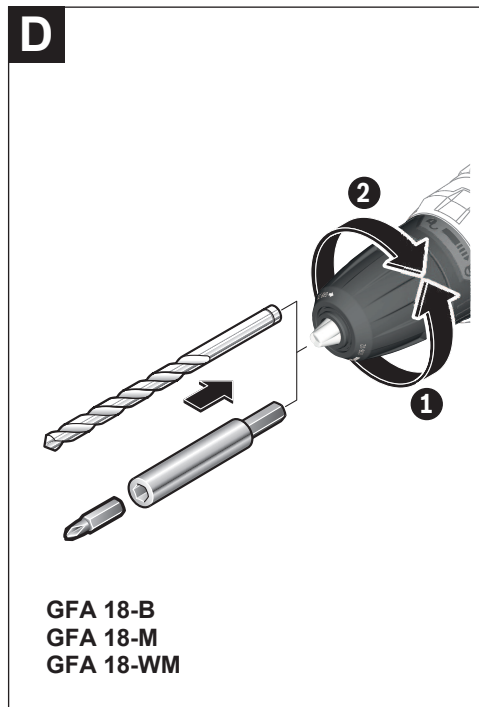
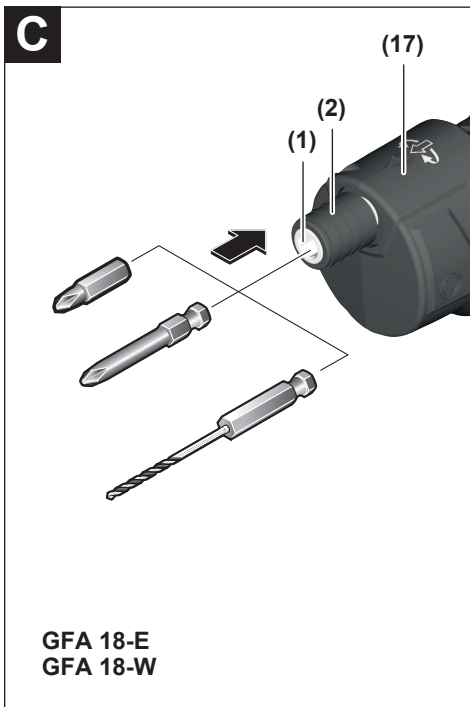
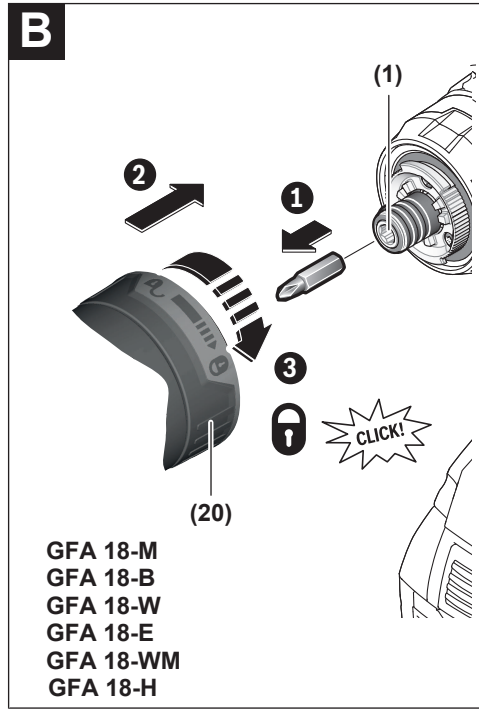
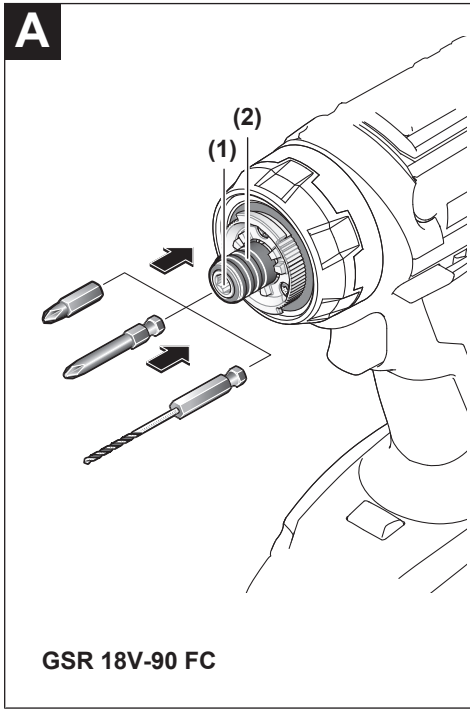
- en Original instructions
- fr Notice originale
- pt Manual original
- es Manual original
- pt Manual de instruções original
- zh 正本使用说明书
- zh 原始使用說明書
- th หนังสือคู่มือการใช้งานฉบับต้นแบบ
- id Petunjuk-Petunjuk untuk Penggunaan Orisinal
- vi Bản gốc hướng dẫn sử dụng
- ar دليل التشغيل الأصلي
- fa دفترچه راهنمای اصلی

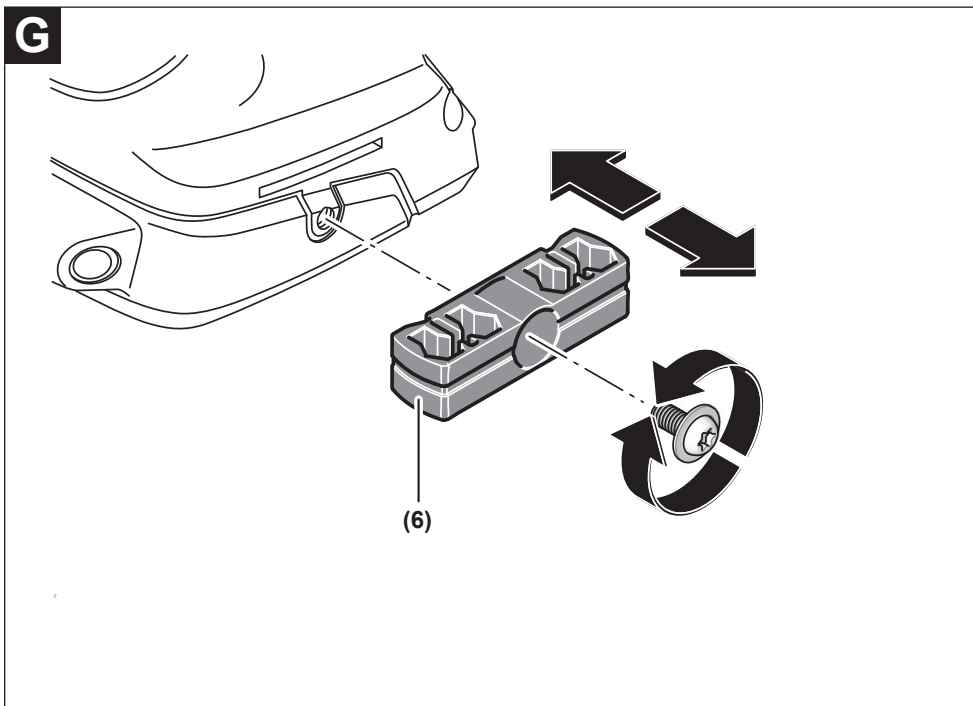
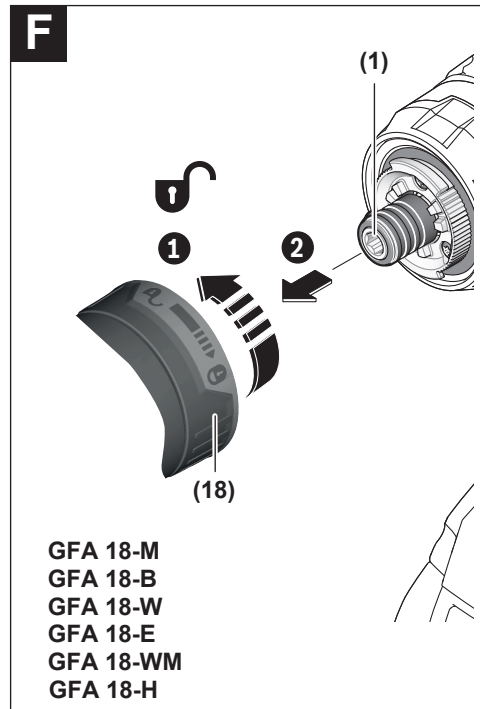
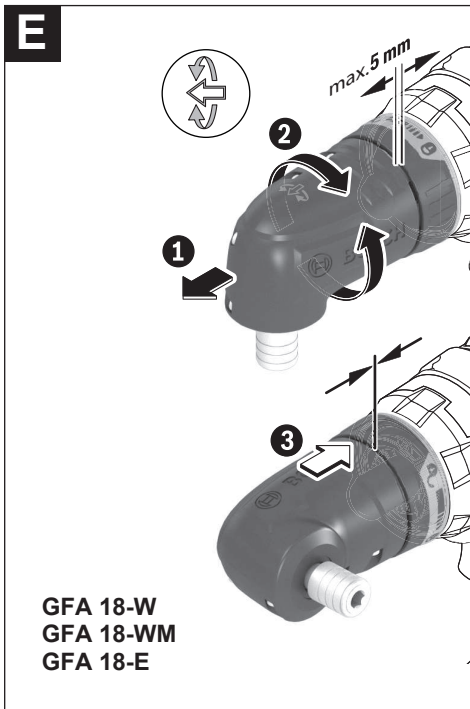


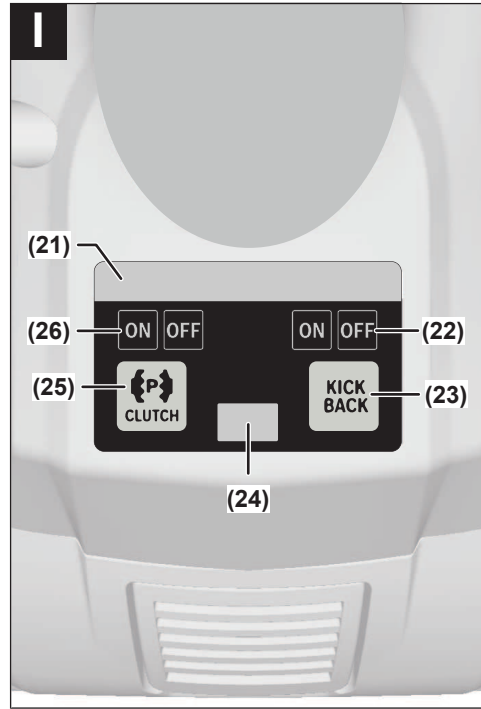
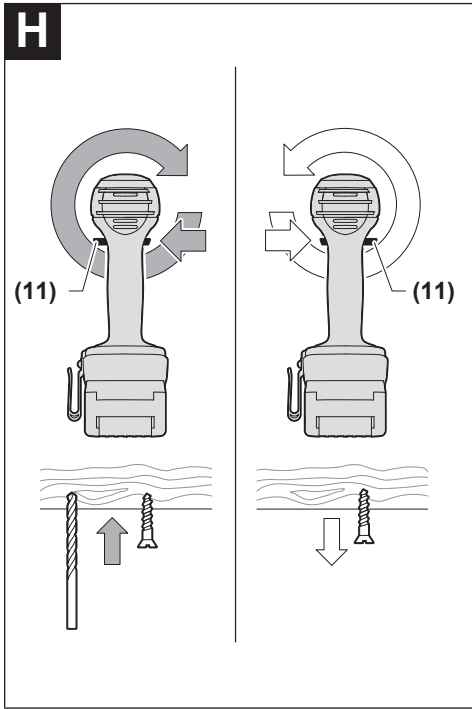
English	Page	8
Français	Page	16
Português	Página	25
Español	Página	34
Português do Brasil	Página	43
中文	頁	52
繁體中文	頁	58
ไทย	หน้า	65
Bahasa Indonesia	Halaman	73
Tiếng Việt	Trang	81
عربي	الصفحة	90
فارسی	صفحه	99

**GSR 18V-90 FC**









English

Safety Instructions

General Power Tool Safety Warnings

⚠ WARNING Read all safety warnings, instructions, illustrations and specifications provided with this power tool. Failure to follow all instructions listed below may result in electric shock, fire and/or serious injury.

Save all warnings and instructions for future reference.

The term "power tool" in the warnings refers to your mains-operated (corded) power tool or battery-operated (cordless) power tool.

Work area safety

- ▶ **Keep work area clean and well lit.** Cluttered or dark areas invite accidents.
- ▶ **Do not operate power tools in explosive atmospheres, such as in the presence of flammable liquids, gases or dust.** Power tools create sparks which may ignite the dust or fumes.
- ▶ **Keep children and bystanders away while operating a power tool.** Distractions can cause you to lose control.

Electrical safety

- ▶ **Power tool plugs must match the outlet. Never modify the plug in any way. Do not use any adapter plugs with earthed (grounded) power tools.** Unmodified plugs and matching outlets will reduce risk of electric shock.
- ▶ **Avoid body contact with earthed or grounded surfaces, such as pipes, radiators, ranges and refrigerators.** There is an increased risk of electric shock if your body is earthed or grounded.
- ▶ **Do not expose power tools to rain or wet conditions.** Water entering a power tool will increase the risk of electric shock.
- ▶ **Do not abuse the cord. Never use the cord for carrying, pulling or unplugging the power tool. Keep cord away from heat, oil, sharp edges or moving parts.** Damaged or entangled cords increase the risk of electric shock.
- ▶ **When operating a power tool outdoors, use an extension cord suitable for outdoor use.** Use of a cord suitable for outdoor use reduces the risk of electric shock.
- ▶ **If operating a power tool in a damp location is unavoidable, use a residual current device (RCD) protected supply.** Use of an RCD reduces the risk of electric shock.

Personal safety

- ▶ **Stay alert, watch what you are doing and use common sense when operating a power tool. Do not use a power tool while you are tired or under the influence of drugs, alcohol or medication.** A moment of inatten-

tion while operating power tools may result in serious personal injury.

- ▶ **Use personal protective equipment. Always wear eye protection.** Protective equipment such as a dust mask, non-skid safety shoes, hard hat or hearing protection used for appropriate conditions will reduce personal injuries.
- ▶ **Prevent unintentional starting. Ensure the switch is in the off-position before connecting to power source and/or battery pack, picking up or carrying the tool.** Carrying power tools with your finger on the switch or energising power tools that have the switch on invites accidents.
- ▶ **Remove any adjusting key or wrench before turning the power tool on.** A wrench or a key left attached to a rotating part of the power tool may result in personal injury.
- ▶ **Do not overreach. Keep proper footing and balance at all times.** This enables better control of the power tool in unexpected situations.
- ▶ **Dress properly. Do not wear loose clothing or jewellery. Keep your hair and clothing away from moving parts.** Loose clothes, jewellery or long hair can be caught in moving parts.
- ▶ **If devices are provided for the connection of dust extraction and collection facilities, ensure these are connected and properly used.** Use of dust collection can reduce dust-related hazards.
- ▶ **Do not let familiarity gained from frequent use of tools allow you to become complacent and ignore tool safety principles.** A careless action can cause severe injury within a fraction of a second.

Power tool use and care

- ▶ **Do not force the power tool. Use the correct power tool for your application.** The correct power tool will do the job better and safer at the rate for which it was designed.
- ▶ **Do not use the power tool if the switch does not turn it on and off.** Any power tool that cannot be controlled with the switch is dangerous and must be repaired.
- ▶ **Disconnect the plug from the power source and/or remove the battery pack, if detachable, from the power tool before making any adjustments, changing accessories, or storing power tools.** Such preventive safety measures reduce the risk of starting the power tool accidentally.
- ▶ **Store idle power tools out of the reach of children and do not allow persons unfamiliar with the power tool or these instructions to operate the power tool.** Power tools are dangerous in the hands of untrained users.
- ▶ **Maintain power tools and accessories. Check for misalignment or binding of moving parts, breakage of parts and any other condition that may affect the power tool's operation. If damaged, have the power tool repaired before use.** Many accidents are caused by poorly maintained power tools.

- ▶ **Keep cutting tools sharp and clean.** Properly maintained cutting tools with sharp cutting edges are less likely to bind and are easier to control.
- ▶ **Use the power tool, accessories and tool bits etc. in accordance with these instructions, taking into account the working conditions and the work to be performed.** Use of the power tool for operations different from those intended could result in a hazardous situation.
- ▶ **Keep handles and grasping surfaces dry, clean and free from oil and grease.** Slippery handles and grasping surfaces do not allow for safe handling and control of the tool in unexpected situations.

Battery tool use and care

- ▶ **Recharge only with the charger specified by the manufacturer.** A charger that is suitable for one type of battery pack may create a risk of fire when used with another battery pack.
- ▶ **Use power tools only with specifically designated battery packs.** Use of any other battery packs may create a risk of injury and fire.
- ▶ **When battery pack is not in use, keep it away from other metal objects, like paper clips, coins, keys, nails, screws or other small metal objects, that can make a connection from one terminal to another.** Shorting the battery terminals together may cause burns or a fire.
- ▶ **Under abusive conditions, liquid may be ejected from the battery; avoid contact. If contact accidentally occurs, flush with water. If liquid contacts eyes, additionally seek medical help.** Liquid ejected from the battery may cause irritation or burns.
- ▶ **Do not use a battery pack or tool that is damaged or modified.** Damaged or modified batteries may exhibit unpredictable behaviour resulting in fire, explosion or risk of injury.
- ▶ **Do not expose a battery pack or tool to fire or excessive temperature.** Exposure to fire or temperature above 130 °C may cause explosion.
- ▶ **Follow all charging instructions and do not charge the battery pack or tool outside the temperature range specified in the instructions.** Charging improperly or at temperatures outside the specified range may damage the battery and increase the risk of fire.

Service

- ▶ **Have your power tool serviced by a qualified repair person using only identical replacement parts.** This will ensure that the safety of the power tool is maintained.
- ▶ **Never service damaged battery packs.** Service of battery packs should only be performed by the manufacturer or authorized service providers.

Safety information for screwdrivers

Safety instructions for all operations

- ▶ **Hold the power tool by insulated gripping surfaces, when performing an operation where the cutting ac-**

cessory or fasteners may contact hidden wiring. Cutting accessory or fasteners contacting a "live" wire may make exposed metal parts of the power tool "live" and could give the operator an electric shock.

Safety instructions when using long drill bits

- ▶ **Never operate at higher speed than the maximum speed rating of the drill bit.** At higher speeds, the bit is likely to bend if allowed to rotate freely without contacting the workpiece, resulting in personal injury.
- ▶ **Always start drilling at low speed and with the bit tip in contact with the workpiece.** At higher speeds, the bit is likely to bend if allowed to rotate freely without contacting the workpiece, resulting in personal injury.
- ▶ **Apply pressure only in direct line with the bit and do not apply excessive pressure.** Bits can bend causing breakage or loss of control, resulting in personal injury.

Additional safety information

- ▶ **Secure the workpiece.** A workpiece clamped with clamping devices or in a vice is held more secure than by hand.
- ▶ **Always wait until the power tool has come to a complete stop before placing it down.** The application tool can jam and cause you to lose control of the power tool.
- ▶ **Switch the power tool off immediately if the application tool becomes blocked. Be prepared for high torque reactions which cause kickback.** The application tool becomes blocked when it becomes jammed in the workpiece or when the power tool becomes overloaded.
- ▶ **Use suitable detectors to determine if there are hidden supply lines or contact the local utility company for assistance.** Contact with electric cables can cause fire and electric shock. Damaging gas lines can lead to explosion. Breaking water pipes causes property damage.
- ▶ **Hold the power tool securely.** When tightening and loosening screws be prepared for temporarily high torque reactions.
- ▶ **In case of damage and improper use of the battery, vapours may be emitted. The battery can set alight or explode.** Ensure the area is well ventilated and seek medical attention should you experience any adverse effects. The vapours may irritate the respiratory system.
- ▶ **Do not modify or open the battery.** There is a risk of short-circuiting.
- ▶ **The battery can be damaged by pointed objects such as nails or screwdrivers or by force applied externally.** An internal short circuit may occur, causing the battery to burn, smoke, explode or overheat.
- ▶ **Only use the battery in the manufacturer's products.** This is the only way in which you can protect the battery against dangerous overload.



Protect the battery against heat, e.g. against continuous intense sunlight, fire, dirt, water and moisture. There is a risk of explosion and short-circuiting.

- ▶ **Caution!** When using the power tool with *Bluetooth*[®], a fault may occur in other devices and systems, aeroplanes and medical devices (e.g. pacemakers, hearing aids). Also, damage to people and animals in the immediate vicinity cannot be completely excluded. Do not use the power tool with *Bluetooth*[®] in the vicinity of medical devices, petrol stations, chemical plants, areas with a potentially explosive atmosphere or in blasting areas. Do not use the power tool with *Bluetooth*[®] in aircraft. Avoid using the product near your body for extended periods.

The *Bluetooth*[®] word mark and logos are registered trademarks owned by Bluetooth SIG, Inc. and any use of such marks by Robert Bosch Power Tools GmbH is under license.



WARNING



Ensure that the coin cell is kept out of the reach of children. Coin cells are dangerous.

- ▶ **Coin cells must never be swallowed or inserted into any other part of the body. If you suspect that someone has swallowed a coin cell or that a coin cell has entered the body in another way, seek medical attention immediately.** Swallowing coin cells can result in severe internal burns and death within 2 hours.
- ▶ **Ensure that coin cell replacement is carried out properly.** There is a risk of explosion.
- ▶ **Only use the coin cells listed in this operating manual.** Do not use any other coin cells or other forms of electrical power supply.
- ▶ **Do not attempt to recharge the coin cell and do not short circuit the coin cell.** The coin cell may leak, explode, catch fire and cause personal injury.
- ▶ **Remove and dispose of drained coin cell correctly.** Drained coin cell may leak and damage the product or cause personal injury.
- ▶ **Do not overheat the coin cell or throw it into fire.** The coin cell may leak, explode, catch fire and cause personal injury.
- ▶ **Do not damage the coin cell and take the coin cell apart.** The coin cell may leak, explode, catch fire and cause personal injury.
- ▶ **Do not allow damaged coin cells to come into contact with water.** Leaking lithium may mix with water to create hydrogen, which could cause a fire, an explosion, or personal injury.

Product Description and Specifications



Read all the safety and general instructions.

Failure to observe the safety and general instructions may result in electric shock, fire and/or serious injury.

Please observe the illustrations at the beginning of this operating manual.

Intended use

The power tool is intended for driving and loosening screws and for drilling in wood, metal and plastic.

The power tool can be used with a right angle adapter (GFA 18-W), right angle adapter with metal drill chuck (GFA 18-WM), off-set angle adapter (GFA 18-E), drill chuck adapter (GFA 18-B), metal drill chuck adapter (GFA 18-M) or rotary hammer adapter (GFA 18-H).

With the *Bluetooth*[®] Low Energy Module **GCY 42 / GCY 42 NC** inserted, power tool data and settings can be transferred between the power tool and a mobile device by means of *Bluetooth*[®] wireless technology.

Product Features

The numbering of the product features refers to the diagram of the power tool on the graphics page.

- (1) Tool holder
 - (2) Locking sleeve
 - (3) Torque presetting ring
 - (4) Gear selector switch
 - (5) *Bluetooth*[®] Low Energy Module cover **GCY 42 / GCY 42 NC**
 - (6) Bit holder^{a)}
 - (7) Belt clip^{a)}
 - (8) Rechargeable battery^{a)}
 - (9) Battery release button^{a)}
 - (10) User interface
 - (11) Rotational direction switch
 - (12) On/off switch
 - (13) Handle (insulated gripping surface)
 - (14) Metal drill chuck adapter GFA 18-M^{a)}
 - (15) Drill chuck adapter GFA 18-B^{a)}
 - (16) Right angle adapter GFA 18-W^{a)}
 - (17) Off-set angle adapter GFA 18-E^{a)}
 - (18) Right angle adapter with metal drill chuck GFA 18-WM^{a)}
 - (19) Rotary hammer adapter GFA 18-H^{a)}
 - (20) Locking ring^{a)}
- User interface**
- (21) Status indicator for power tool
 - (22) LED for KickBack Control

(23) Button for KickBack Control

(24) Worklight (LED)

(25) Precision clutch button

(26) LED for precision clutch

a) This accessory is not part of the standard scope of delivery.

Technical Data

Cordless Drill/Driver		GSR 18V-90 FC	GFA 18-M	GFA 18-W	GFA 18-E	GFA 18-WM
Article number		3 601 JK6 2..	-	-	-	-
Rated voltage	V=	18	-	-	-	-
No-load speed ^{A)}						
- First gear	min ⁻¹ ₁	0-630	-	-	-	-
- Second gear	min ⁻¹ ₁	0-2100	-	-	-	-
Max. torque (soft) ^{A)}	Nm	36	-	-	-	-
Max. torque (hard) ^{A)}	Nm	64	-	-	-	-
Max. drilling diameter						
- Wood	mm	68	-	-	-	-
- Steel	mm	13	-	-	-	-
- Concrete	mm	10	-	-	-	-
Max. screw diameter	mm	12	-	-	-	-
Tool holder	mm	6.35 ¼" Internal hexagon	1.5-13	6.35 ¼" Internal hexagon	6.35 ¼" Internal hexagon	1.5-13
Weight ^{B)}	kg	1.3-2.3 ^{C)}	0.38	0.44	0.44	0.66
Recommended ambient temperature during charging	°C	0 to +35				
Permitted ambient temperature during operation and during storage	°C	-20 to +50				
Recommended rechargeable batteries		GBA 18V... ProCORE18V...	-	-	-	-
Recommended battery chargers		GAL 18... GAX 18... GAL 36...	-	-	-	-

A) Measured at 20-25 °C with rechargeable battery **GBA 18V 5.0Ah**

B) Depending on battery in use

C) Measured with **GBA 18V 1.5Ah** and **GBA 18V 12.0Ah**.Values can vary depending on the product, scope of application and environmental conditions. To find out more, visit www.bosch-professional.com/wac.

Noise/Vibration Information

		GSR 18V-90 FC	GFA 18-M	GFA 18-W	GFA 18-E	GFA 18-WM
Noise emission values determined according to EN 62841-2-1 for GFA 18-M, GFA 18-WM .						
Noise emission values determined according to EN 62841-2-2 for GSR 18V-90 FC, GFA 18-W, GFA 18-E .						
Typically, the A-weighted noise level of the power tool is						
Sound pressure level	dB(A)	77.5	78	78.5	78.5	79
	dB(A)	85.5	86	86.5	86.5	87
Sound power level	dB	3	5	3	3	5
Uncertainty K						

		GSR 18V-90 FC	GFA 18-M	GFA 18-W	GFA 18-E	GFA 18-WM
Wear hearing protection!						
Vibration total values a_h (triaux vector sum) and uncertainty K determined according to EN 62841-2-1 for GFA 18-M, GFA 18-WM :						
Vibration total values a_h (triaux vector sum) and uncertainty K determined according to EN 62841-2-2 for GSR 18V-90 FC, GFA 18-W, GFA 18-E :						
Drilling in metal:						
a_h	m/s^2	-	< 2.5	-	-	< 2.5
K	m/s^2	-	1.5	-	-	1.5
Screwdriving:						
a_h	m/s^2	< 2.5	-	< 2.5	< 2.5	-
K	m/s^2	1.5	-	1.5	1.5	-

The vibration level and noise emission value given in these instructions have been measured in accordance with a standardised measuring procedure and may be used to compare power tools. They may also be used for a preliminary estimation of vibration and noise emissions.

The stated vibration level and noise emission value represent the main applications of the power tool. However, if the power tool is used for other applications, with different accessories or is poorly maintained, the vibration level and noise emission value may differ. This may significantly increase the vibration and noise emissions over the total working period.

To estimate vibration and noise emissions accurately, the times when the tool is switched off or when it is running but not actually being used should also be taken into account. This may significantly reduce vibration and noise emissions over the total working period.

Implement additional safety measures to protect the operator from the effects of vibration, such as servicing the power tool and accessories, keeping their hands warm, and organising workflows correctly.

Rechargeable battery

Bosch sells some cordless power tools without a rechargeable battery. You can tell whether a rechargeable battery is included with the power tool by looking at the packaging.

Charging the battery

- **Use only the chargers listed in the technical data.** Only these chargers are matched to the lithium-ion battery of your power tool.

Note: Lithium-ion rechargeable batteries are supplied partially charged according to international transport regulations. To ensure full rechargeable battery capacity, fully charge the rechargeable battery before using your tool for the first time.

Inserting the Battery

Push the charged battery into the battery holder until it clicks into place.

Removing the Battery



To remove the rechargeable battery, press the battery release button and pull the battery out. **Do not use force to do this.**

The rechargeable battery has two locking levels to prevent the battery from falling out if the battery release button is pressed unintentionally. The rechargeable battery is held in place by a spring when fitted in the power tool.

Battery charge indicator

Note: Not all battery types have a battery charge indicator.

The green LEDs on the battery charge indicator indicate the state of charge of the battery. For safety reasons, it is only possible to check the state of charge when the power tool is not in operation.

Press the button for the battery charge indicator  or  to show the state of charge. This is also possible when the battery is removed.

If no LED lights up after pressing the button for the battery charge indicator, then the battery is defective and must be replaced.

The state of charge of the battery is also displayed on the user interface (see "Status Indications", page 15).

Battery model GBA 18V...



LED	Capacity
3 × continuous green light	60–100 %
2 × continuous green light	30–60 %
1 × continuous green light	5–30 %
1 × flashing green light	0–5 %

Battery model ProCORE18V...



LED	Capacity
5 × continuous green light	80–100 %
4 × continuous green light	60–80 %
3 × continuous green light	40–60 %
2 × continuous green light	20–40 %
1 × continuous green light	5–20 %
1 × flashing green light	0–5 %

Recommendations for Optimal Handling of the Battery

Protect the battery against moisture and water.

Only store the battery within a temperature range of –20 to 50 °C. Do not leave the battery in your car in the summer, for example.

Occasionally clean the ventilation slots on the battery using a soft brush that is clean and dry.

A significantly reduced operating time after charging indicates that the battery has deteriorated and must be replaced.

Follow the instructions on correct disposal.

Assembly

- ▶ **Before carrying out any work on the power tool (e.g. maintenance, tool change etc.), remove the battery from the power tool.** There is risk of injury from unintentionally pressing the on/off switch.

Inserting the Bluetooth® Low Energy Module GCY 42 / GCY 42 NC

Read the corresponding operating instructions for information about the Bluetooth® Low Energy Module **GCY 42 / GCY 42 NC**.

Changing the Tool

Inserting the application tool (see figure A)

Push the locking sleeve **(2)** back and insert the application tool by turning it into the holder **(1)**. Release the locking sleeve **(2)** to lock the application tool.

Removing the application tool

Push the locking sleeve **(2)** back and pull the application tool out of the holder **(1)**.

Fitting the adapter (see figure B)

Remove the application tool.

Insert the adapter into the holder **(1)**. Turn the locking ring **(20)** until it audibly clicks into place.

Inserting the application tool into the adapter

GFA 18-E/GFA 18-W (see figure C):

Push the locking sleeve **(2)** back and insert the application tool by turning it into the holder **(1)**. Release the locking sleeve **(2)** to lock the application tool.

GFA 18-M/GFA 18-B/GFA 18-WM (see figure D):

Open the drill chuck adapter by turning it in the direction of rotation **(1)** until the application tool can be inserted. Insert the application tool.

Firmly tighten the sleeve of the drill chuck adapter by turning it by hand in the direction of rotation **(2)**. This will automatically lock the drill chuck.

Turning the Adapter (GFA 18-W, GFA 18-E, GFA 18-WM) (see figure E)

Pull the adapter forwards. Turn the adapter to the required position and then let it go to lock it. The adapter clicks into place in 16 positions around a 360° axis.

Removing the adapter (see figure F)

Remove the application tool.

Unlock the adapter in direction  and pull it off the holder **(1)**.

Dust/Chip Extraction

Dust from materials such as lead-containing coatings, some wood types, minerals and metal can be harmful to one's health. Touching or breathing-in the dust can cause allergic reactions and/or lead to respiratory infections of the user or bystanders.

Certain dust, such as oak or beech dust, is considered carcinogenic, especially in connection with wood-treatment additives (chromate, wood preservative). Materials containing asbestos may only be worked by specialists.

- Provide for good ventilation of the working place.
- It is recommended to wear a P2 filter-class respirator.

Observe the relevant regulations in your country for the materials to be worked.

- ▶ **Avoid dust accumulation at the workplace.** Dust can easily ignite.

Operation

Starting Operation

Setting the rotational direction (see figure H)

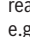
- ▶ **Only operate the rotational direction switch (11) when the power tool is not in use.**

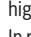
The rotational direction switch **(11)** is used to change the rotational direction of the power tool. However, this is not possible while the on/off switch **(12)** is being pressed.


Right rotation: To drill and to drive in screws, press the rotational direction switch **(11)** through to the left stop.

Left Rotation: To loosen and unscrew screws and nuts, press the rotational direction switch **(11)** through to the right stop.

Preselecting the Torque

The torque presetting ring (3) can be used to pre-select the required torque in 20 stages. When the correct setting is used, the application tool will be stopped when the screw is driven flush into the material or once the set torque has been reached. In position  the overload clutch is deactivated, e.g. for drilling.

When unscrewing screws, it may be advisable to select a higher setting or the  symbol.

In position , the maximum torque for drilling and screwdriving is achieved.

Mechanical gear selection

► **Only operate the gear selector (4) when the power tool is not in use.**

► **Always push the gear selector switch as far as it will go.** Otherwise, the power tool may become damaged.

You can preselect two speed ranges with the gear selector (4).

Gear selector switch (4) position	Speed	Torque	Application range
1	Low	High	For heavy-duty applications: e.g. drilling and screwdriving with large diameters
2	High	Low	For light-duty applications: e.g. drilling and screwdriving with small diameters

Setting the Operating Mode



Drilling

Set the torque presetting ring (3) to the "drilling" symbol to achieve the maximum torque for drilling and screwdriving.



Screwdriving

Set the torque presetting ring (3) to the required torque setting.

Switching on/off

To **start** the power tool, press and hold the on/off switch (12).

The worklight (24) lights up when the on/off switch (12) is lightly or fully pressed, allowing the work area to be illuminated in poor lighting conditions.

Adjusting the speed

You can adjust the speed of the power tool when it is on by pressing in the on/off switch (12) to varying extents.

A light pressure on the on/off switch (12) results in a low rotational speed. Increased pressure on the switch causes an increase in speed.

Temperature-dependent overload protection

When used as intended, the power tool cannot be overloaded. If the power tool is overloaded or not kept within the permitted operating temperature range, the speed is reduced or the power tool is switched off. The power tool will not run at full speed again until the permitted operating temperature has been reached.

Activation of the temperature-controlled overload protector is indicated by the LED on the power tool lighting up red.

– To return to within the permitted operating temperature range, run the power tool at no load or wait until the LED lights up green again.

When the LED lights up green, the tool has returned to within the permitted operating temperature range.

User Interface (see figure 1)

The user interface (10) is used to activate and deactivate the precision clutch and for the "KickBack Control" rapid shut-off, as well as for the status indicator of the power tool.

Precision Clutch



The precision clutch stops overlocking when the set torque is reached, thereby reducing clutch wear and the resulting noise.

The precision clutch can be deactivated on the user interface (10) with the precision clutch button (25).

The current status is shown via the LED for precision clutch (26) on the user interface (10).

Rapid Shut-off (KickBack Control)



The rapid shut-off function (KickBack Control) gives the user greater control over the power tool and offers them better protection than power tools that do not have KickBack Control. The power tool will switch off

if it suddenly and unforeseeably rotates around the drilling axis.

The rapid shut-off is indicated by the LED (21) flashing red, flashing from the worklight (24) and the LED of the KickBack Control (22) lighting up red on the power tool.

To **switch the tool back on**, release the on/off switch and then press it again.

► **It will no longer be possible to switch the power tool on if the KickBack Control function is faulty. Have the power tool serviced by a qualified repair person using only original replacement parts.**

The rapid shut-off function can be deactivated on the user interface (10) with the KickBack Control button (23). If the power tool is not used for longer than 5 minutes or if the rechargeable battery is removed, the rapid shut-off function automatically switches back on. The current status is shown via the KickBack Control LED (22) on the user interface (10).

► **Note: The warning light of the LEDs is not visible from all directions! The warning light is difficult to see in bright sunlight.**

Status Indications

Status indicator for power tool	Meaning/cause	Solution
Green	Status OK	–
Yellow	Critical temperature has been reached, rechargeable battery is almost empty, or KickBack Control is switched off	Run the power tool at no load and allow it to cool down, replace or charge the rechargeable battery soon, or press the KickBack Control button
Illuminated red	Power tool has overheated or rechargeable battery is empty	Allow the power tool to cool down, or replace or charge the rechargeable battery
Flashing red	Rapid shut-off is triggered	Switch the power tool off and on again
Flashing blue	Power tool is connected to a mobile device or settings are being transferred	–

Connectivity functions

In conjunction with the *Bluetooth*® Low Energy Module **GCY 42 / GCY 42 NC**, the following connectivity functions are available for the power tool:

- Registration and personalisation
- Status check, output of warning messages
- General information
- Management
- Switching the worklight on and off
- Setting the worklight brightness and afterglow duration
- Setting the brightness and backlight duration of the user interface

Read the corresponding operating instructions for information about the *Bluetooth*® Low Energy Module **GCY 42 / GCY 42 NC**.

Practical advice

- ▶ **The power tool with inserted *Bluetooth*® Low Energy Module GCY 42 / GCY 42 NC (accessory) is equipped with a radio interface. Local operating restrictions, e.g. in aircraft or hospitals, must be observed.**
- ▶ **Only apply the power tool to the screw when the tool is switched off.** Rotating application tools can slip off.

Belt clip

You can use the belt clip (7) to hang the power tool on a belt, for example. You then have both hands free and the power tool is always at hand.

Maintenance and Service

Maintenance and Cleaning

- ▶ **Before carrying out any work on the power tool (e.g. maintenance, tool change etc.), remove the battery from the power tool.** There is risk of injury from unintentionally pressing the on/off switch.
- ▶ **To ensure safe and efficient operation, always keep the power tool and the ventilation slots clean.**

After-Sales Service and Application Service

Our after-sales service responds to your questions concerning maintenance and repair of your product as well as spare parts. You can find explosion drawings and information on spare parts at: **www.bosch-pt.com**

The Bosch product use advice team will be happy to help you with any questions about our products and their accessories.

In all correspondence and spare parts orders, please always include the 10-digit article number given on the nameplate of the product.

Malaysia

Robert Bosch Sdn. Bhd. (220975-V) PT/SMY
 No. 8A, Jalan 13/6
 46200 Petaling Jaya
 Selangor
 Tel.: (03) 79663194
 Toll-Free: 1800 880188
 Fax: (03) 79583838
 E-Mail: kiathoe.chong@my.bosch.com
 www.bosch-pt.com.my

You can find further service addresses at:

www.bosch-pt.com/serviceaddresses

Transport

The recommended lithium-ion batteries are subject to legislation on the transport of dangerous goods. The user can transport the batteries by road without further requirements.

When the batteries are shipped by third parties (e.g. air transport or forwarding agency), special requirements on packaging and labelling (e.g. ADR regulations) must be met. A dangerous goods expert must be consulted when preparing the items for shipping.

Dispatch battery packs only when the housing is undamaged. Tape or mask off open contacts and pack up the battery in such a manner that it cannot move around in the packaging. Please also observe the possibility of more detailed national regulations.

Disposal

Power tools, rechargeable batteries, accessories and packaging should be sorted for environmental-friendly recycling.



Do not dispose of power tools and batteries/rechargeable batteries into household waste!

Battery packs/batteries:**Li-ion:**

Please observe the notes in the section on transport (see "Transport", page 15).

Français

Consignes de sécurité

Avertissements de sécurité généraux pour l'outil électrique

⚠ AVERTISSEMENT

Lire tous les avertissements de sécurité, les instructions, les illustrations et les spécifications fournis

avec cet outil électrique. Ne pas suivre les instructions énumérées ci-dessous peut provoquer un choc électrique, un incendie et/ou une blessure sérieuse.

Conserver tous les avertissements et toutes les instructions pour pouvoir s'y reporter ultérieurement.

Le terme "outil électrique" dans les avertissements fait référence à votre outil électrique alimenté par le secteur (avec cordon d'alimentation) ou votre outil électrique fonctionnant sur batterie (sans cordon d'alimentation).

Sécurité de la zone de travail

- ▶ **Conserver la zone de travail propre et bien éclairée.** Les zones en désordre ou sombres sont propices aux accidents.
- ▶ **Ne pas faire fonctionner les outils électriques en atmosphère explosive, par exemple en présence de liquides inflammables, de gaz ou de poussières.** Les outils électriques produisent des étincelles qui peuvent enflammer les poussières ou les fumées.
- ▶ **Maintenir les enfants et les personnes présentes à l'écart pendant l'utilisation de l'outil électrique.** Les distractions peuvent vous faire perdre le contrôle de l'outil.

Sécurité électrique

- ▶ **Il faut que les fiches de l'outil électrique soient adaptées au socle. Ne jamais modifier la fiche de quelque façon que ce soit. Ne pas utiliser d'adaptateurs avec des outils électriques à branchement de terre.** Des

fiches non modifiées et des socles adaptés réduisent le risque de choc électrique.

- ▶ **Éviter tout contact du corps avec des surfaces reliées à la terre telles que les tuyaux, les radiateurs, les cuisinières et les réfrigérateurs.** Il existe un risque accru de choc électrique si votre corps est relié à la terre.
- ▶ **Ne pas exposer les outils électriques à la pluie ou à des conditions humides.** La pénétration d'eau à l'intérieur d'un outil électrique augmente le risque de choc électrique.
- ▶ **Ne pas maltraiter le cordon. Ne jamais utiliser le cordon pour porter, tirer ou débrancher l'outil électrique. Maintenir le cordon à l'écart de la chaleur, du lubrifiant, des arêtes vives ou des parties en mouvement.** Des cordons endommagés ou emmêlés augmentent le risque de choc électrique.
- ▶ **Lorsqu'on utilise un outil électrique à l'extérieur, utiliser un prolongateur adapté à l'utilisation extérieure.** L'utilisation d'un cordon adapté à l'utilisation extérieure réduit le risque de choc électrique.
- ▶ **Si l'usage d'un outil électrique dans un emplacement humide est inévitable, utiliser une alimentation protégée par un dispositif à courant différentiel résiduel (RCD).** L'usage d'un RCD réduit le risque de choc électrique.

Sécurité des personnes

- ▶ **Rester vigilant, regarder ce que vous êtes en train de faire et faire preuve de bon sens dans votre utilisation de l'outil électrique. Ne pas utiliser un outil électrique lorsque vous êtes fatigué ou sous l'emprise de drogues, de l'alcool ou de médicaments.** Un moment d'inattention en cours d'utilisation d'un outil électrique peut entraîner des blessures graves.
- ▶ **Utiliser un équipement de protection individuelle. Toujours porter une protection pour les yeux.** Les équipements de protection individuelle tels que les masques contre les poussières, les chaussures de sécurité antidérapantes, les casques ou les protections auditives utilisés pour les conditions appropriées réduisent les blessures.
- ▶ **Éviter tout démarrage intempestif. S'assurer que l'interrupteur est en position arrêté avant de brancher l'outil au secteur et/ou au bloc de batteries, de le ramasser ou de le porter.** Porter les outils électriques en ayant le doigt sur l'interrupteur ou brancher des outils électriques dont l'interrupteur est en position marche est source d'accidents.
- ▶ **Retirer toute clé de réglage avant de mettre l'outil électrique en marche.** Une clé laissée fixée sur une partie tournante de l'outil électrique peut donner lieu à des blessures.
- ▶ **Ne pas se précipiter. Garder une position et un équilibre adaptés à tout moment.** Cela permet un meilleur contrôle de l'outil électrique dans des situations inattendues.

- ▶ **S'habiller de manière adaptée. Ne pas porter de vêtements amples ou de bijoux. Garder les cheveux et les vêtements à distance des parties en mouvement.** Des vêtements amples, des bijoux ou les cheveux longs peuvent être pris dans des parties en mouvement.
- ▶ **Si des dispositifs sont fournis pour le raccordement d'équipements pour l'extraction et la récupération des poussières, s'assurer qu'ils sont connectés et correctement utilisés.** Utiliser des collecteurs de poussière peut réduire les risques dus aux poussières.
- ▶ **Rester vigilant et ne pas négliger les principes de sécurité de l'outil sous prétexte que vous avez l'habitude de l'utiliser.** Une fraction de seconde d'inattention peut provoquer une blessure grave.

Utilisation et entretien de l'outil électrique

- ▶ **Ne pas forcer l'outil électrique. Utiliser l'outil électrique adapté à votre application.** L'outil électrique adapté réalise mieux le travail et de manière plus sûre au régime pour lequel il a été construit.
- ▶ **Ne pas utiliser l'outil électrique si l'interrupteur ne permet pas de passer de l'état de marche à arrêt et inversement.** Tout outil électrique qui ne peut pas être commandé par l'interrupteur est dangereux et il faut le réparer.
- ▶ **Débrancher la fiche de la source d'alimentation et/ou enlever le bloc de batteries, s'il est amovible, avant tout réglage, changement d'accessoires ou avant de ranger l'outil électrique.** De telles mesures de sécurité préventives réduisent le risque de démarrage accidentel de l'outil électrique.
- ▶ **Conserver les outils électriques à l'arrêt hors de la portée des enfants et ne pas permettre à des personnes ne connaissant pas l'outil électrique ou les présentes instructions de le faire fonctionner.** Les outils électriques sont dangereux entre les mains d'utilisateurs novices.
- ▶ **Observer la maintenance des outils électriques et des accessoires. Vérifier qu'il n'y a pas de mauvais alignement ou de blocage des parties mobiles, des pièces cassées ou toute autre condition pouvant affecter le fonctionnement de l'outil électrique. En cas de dommages, faire réparer l'outil électrique avant de l'utiliser.** De nombreux accidents sont dus à des outils électriques mal entretenus.
- ▶ **Garder affûtés et propres les outils permettant de couper.** Des outils destinés à couper correctement entretenus avec des pièces coupantes tranchantes sont moins susceptibles de bloquer et sont plus faciles à contrôler.
- ▶ **Utiliser l'outil électrique, les accessoires et les lames etc., conformément à ces instructions, en tenant compte des conditions de travail et du travail à réaliser.** L'utilisation de l'outil électrique pour des opérations différentes de celles prévues peut donner lieu à des situations dangereuses.

- ▶ **Il faut que les poignées et les surfaces de préhension restent sèches, propres et dépourvues d'huiles et de graisses.** Des poignées et des surfaces de préhension glissantes rendent impossibles la manipulation et le contrôle en toute sécurité de l'outil dans les situations inattendues.

Utilisation des outils fonctionnant sur batteries et précautions d'emploi

- ▶ **Ne recharger qu'avec le chargeur spécifié par le fabricant.** Un chargeur qui est adapté à un type de bloc de batteries peut créer un risque de feu lorsqu'il est utilisé avec un autre type de bloc de batteries.
- ▶ **N'utiliser les outils électriques qu'avec des blocs de batteries spécifiquement désignés.** L'utilisation de tout autre bloc de batteries peut créer un risque de blessure et de feu.
- ▶ **Lorsqu'un bloc de batteries n'est pas utilisé, le maintenir à l'écart de tout autre objet métallique, par exemple trombones, pièces de monnaie, clés, clous, vis ou autres objets de petite taille qui peuvent donner lieu à une connexion d'une borne à une autre.** Le court-circuitage des bornes d'une batterie entre elles peut causer des brûlures ou un feu.
- ▶ **Dans de mauvaises conditions, du liquide peut être éjecté de la batterie; éviter tout contact. En cas de contact accidentel, nettoyer à l'eau. Si le liquide entre en contact avec les yeux, rechercher en plus une aide médicale.** Le liquide éjecté des batteries peut causer des irritations ou des brûlures.
- ▶ **Ne pas utiliser un bloc de batteries ou un outil fonctionnant sur batteries qui a été endommagé ou modifié.** Les batteries endommagées ou modifiées peuvent avoir un comportement imprévisible provoquant un feu, une explosion ou un risque de blessure.
- ▶ **Ne pas exposer un bloc de batteries ou un outil fonctionnant sur batteries au feu ou à une température excessive.** Une exposition au feu ou à une température supérieure à 130 °C peut provoquer une explosion.
- ▶ **Suivre toutes les instructions de charge et ne pas charger le bloc de batteries ou l'outil fonctionnant sur batteries hors de la plage de températures spécifiée dans les instructions.** Un chargement incorrect ou à des températures hors de la plage spécifiée de températures peut endommager la batterie et augmenter le risque de feu.

Maintenance et entretien

- ▶ **Faire entretenir l'outil électrique par un réparateur qualifié utilisant uniquement des pièces de rechange identiques.** Cela assure le maintien de la sécurité de l'outil électrique.
- ▶ **Ne jamais effectuer d'opération d'entretien sur des blocs de batteries endommagés.** Il convient que l'entretien des blocs de batteries ne soit effectué que par le fabricant ou les fournisseurs de service autorisés.

Consignes de sécurité pour visseuses

Instructions de sécurité pour toutes les opérations

- **Tenir l'outil électrique par les surfaces de préhension isolées, au cours des opérations pendant lesquelles l'accessoire de coupe ou les fixations peut être en contact avec un câblage caché.** Un accessoire de coupe ou les fixations en contact avec un fil "sous tension" peut "mettre sous tension" les parties métalliques exposées de l'outil électrique et provoquer un choc électrique chez l'opérateur.

Instructions de sécurité pour l'utilisation de forets longs

- **Ne jamais utiliser à une vitesse supérieure à la vitesse assignée maximale du foret.** À des vitesses supérieures, le foret est susceptible de se plier s'il peut tourner librement sans être en contact avec la pièce à usiner, ce qui provoque des blessures.
- **Toujours commencer à percer à faible vitesse et en mettant l'embout du foret en contact avec la pièce à usiner.** À des vitesses supérieures, le foret est susceptible de se plier s'il peut tourner librement sans être en contact avec la pièce à usiner, ce qui provoque des blessures.
- **Appliquer une pression uniquement sur le foret et ne pas appliquer de pression excessive.** Les forets peuvent se plier, ce qui peut provoquer leur casse ou une perte de contrôle, et donc des blessures.

Consignes de sécurité additionnelles

- **Bloquez la pièce à travailler.** Une pièce à travailler serrée par des dispositifs de serrage appropriés ou dans un étau est fixée de manière plus sûre que quand elle est tenue avec une main.
- **Avant de poser l'outil électroportatif, attendez que celui-ci soit complètement à l'arrêt.** L'outil risque de se coincer, ce qui entraînerait une perte de contrôle de l'outil électroportatif.
- **Arrêtez immédiatement l'outil électroportatif dès que l'accessoire se bloque. Attendez-vous à des couples de réaction importants causant des rebonds.** L'accessoire se bloque quand il reste coincé dans la pièce ou quand l'outil électroportatif est en surcharge.
- **Utilisez un détecteur approprié pour vérifier s'il n'y a pas de conduites cachées ou contactez votre société de distribution d'eau locale.** Tout contact avec des câbles électriques peut provoquer un incendie ou un choc électrique. Tout endommagement d'une conduite de gaz peut provoquer une explosion. La perforation d'une conduite d'eau provoque des dégâts matériels.
- **Maintenez bien l'outil électroportatif en place.** Lors du serrage ou du desserrage des vis, des couples de réaction élevés peuvent survenir en peu de temps.
- **Si l'accu est endommagé ou utilisé de manière non conforme, des vapeurs peuvent s'échapper. L'accu peut brûler ou exploser.** Ventilez le local et consultez un médecin en cas de malaise. Les vapeurs peuvent entraîner des irritations des voies respiratoires.

- **N'apportez aucune modification à la batterie et ne l'ouvrez pas.** Risque de court-circuit.
- **Les objets pointus comme un clou ou un tournevis et le fait d'exercer une force extérieure sur le boîtier risque d'endommager l'accu.** Il peut en résulter un court-circuit interne et l'accu risque de s'enflammer, de dégager des fumées, d'exploser ou de surchauffer.
- **N'utilisez l'accu que sur les produits du fabricant.** Tout risque de surcharge dangereuse sera alors exclu.



Conservez la batterie à l'abri de la chaleur, en la protégeant p. ex. de l'ensoleillement direct, du feu, de la saleté, de l'eau et de l'humidité. Il existe un risque d'explosion et de courts-circuits.

- **Attention ! En cas d'utilisation de l'outil électroportatif en mode Bluetooth®, les ondes émises risquent de perturber le fonctionnement de certains appareils et installations ainsi que le fonctionnement des avions et des appareils médicaux (par ex. stimulateurs cardiaques, prothèses auditives). Un effet nocif sur les personnes et les animaux à proximité immédiate ne peut être entièrement exclu. N'utilisez pas l'outil électroportatif en mesure en mode Bluetooth® à proximité d'appareils médicaux, de stations-service, d'usines chimiques et lorsque vous vous trouvez dans des zones à risque d'explosion ou dans des zones de dynamitage. N'utilisez pas l'outil électroportatif en mode Bluetooth® dans des avions. Évitez une utilisation prolongée à proximité directe du corps.**

Le nom de marque Bluetooth® et le logo associé sont des marques déposées de la Bluetooth SIG, Inc. Toute utilisation de cette marque/de ce logo par la société Robert Bosch Power Tools GmbH s'effectue sous licence.



AVERTISSEMENT



Assurez-vous de ne jamais laisser la pile bouton à la portée des enfants. Les piles boutons sont dangereuses.

- **Les piles boutons ne doivent en aucun cas être ingérées ou introduites dans des ouvertures corporelles. En cas de suspicion d'ingestion d'une pile bouton ou d'introduction d'une pile dans une autre ouverture corporelle, consultez immédiatement un médecin.** L'ingestion d'une pile bouton peut, au bout de seulement 2 heures, provoquer des brûlures graves et même entraîner la mort.
- **Lors d'un changement de pile bouton, veuillez respecter les règles et précautions d'usage.** Il y a sinon risque d'explosion.
- **Veuillez n'utiliser que le type de pile bouton indiqué dans la présente notice d'utilisation.** N'utilisez aucune autre pile bouton ni aucune autre source d'alimentation électrique.

- ▶ **N'essayez pas de recharger la pile bouton ou de la court-circuiter.** La pile bouton risque alors de fuir, d'exploser, de brûler et de blesser des personnes.
- ▶ **Retirez les piles boutons déchargées et éliminez-les en respectant la législation en vigueur.** Les piles boutons déchargées peuvent se mettre à fuir et détériorer le produit ou blesser des personnes.
- ▶ **Ne surchauffez pas la pile bouton et ne la jetez pas dans le feu.** La pile bouton risque alors de fuir, d'exploser, de brûler et de blesser des personnes.
- ▶ **N'endommagez pas la pile bouton et n'essayez pas de l'ouvrir.** La pile bouton risque alors de fuir, d'exploser, de brûler et de blesser des personnes.
- ▶ **Ne mettez pas une pile bouton endommagée en contact avec de l'eau.** Le lithium qui s'échappe peut produire de l'hydrogène en réagissant avec l'eau. Il y a alors risque d'incendie, d'explosion ou de blessure de personnes.

Description des prestations et du produit



Lisez attentivement toutes les instructions et consignes de sécurité. Le non-respect des instructions et consignes de sécurité peut provoquer un choc électrique, un incendie et/ou entraîner de graves blessures.

Référez-vous aux illustrations qui se trouvent à l'avant de la notice d'utilisation.

Utilisation conforme

L'outil électroportatif est conçu pour le vissage et le dévissage de vis ainsi que pour le perçage dans le bois, le métal et les matières plastiques.

L'outil électroportatif peut être utilisé avec plusieurs adaptateurs : le renvoi d'angle (GFA 18-W), le renvoi d'angle avec mandrin métallique (GFA 18-WM), le porte-embout excentré (GFA 18-E), le mandrin de perçage (GFA 18-B), le mandrin de perçage métallique (GFA 18-M) et l'adaptateur perforateur (GFA 18-H).

En cas d'utilisation d'un module *Bluetooth*® Low Energy **GCY 42 / GCY 42 NC**, les données et les réglages de l'outil

électroportatif peuvent être transmis à un périphérique mobile par voie radio au moyen de la technologie *Bluetooth*®.

Éléments constitutifs

La numérotation des éléments se réfère à la représentation de l'outil électroportatif sur la page graphique.

- (1) Porte-outil
- (2) Bague de verrouillage
- (3) Bague de présélection de couple
- (4) Sélecteur de vitesse
- (5) Cache pour module Bluetooth® Low Energy **GCY 42 / GCY 42 NC**
- (6) Porte-embout^{a)}
- (7) Clip de ceinture^{a)}
- (8) Batterie^{a)}
- (9) Bouton de déverrouillage de la batterie^{a)}
- (10) Interface utilisateur
- (11) Sélecteur de sens de rotation
- (12) Interrupteur marche/arrêt
- (13) Poignée (surface de prise en main isolée)
- (14) Adaptateur mandrin de perçage métallique GFA 18-M^{a)}
- (15) Adaptateur mandrin de perçage GFA 18-B^{a)}
- (16) Adaptateur renvoi d'angle GFA 18-W^{a)}
- (17) Adaptateur porte-embout excentré GFA 18-E^{a)}
- (18) Adaptateur renvoi d'angle avec mandrin métallique GFA 18-WM^{a)}
- (19) Adaptateur perforateur GFA 18-H^{a)}
- (20) Bague de serrage^{a)}

Interface utilisateur

- (21) Indicateur d'état de l'outil électroportatif
- (22) LED KickBack Control
- (23) Touche KickBack Control
- (24) Voyant de travail (LED)
- (25) Touche de l'embrayage de précision
- (26) LED Embrayage de précision

a) **Ces accessoires ne sont pas compris dans la fourniture.**

Caractéristiques techniques

Perceuse-visseuse sans fil		GSR 18V-90 FC	GFA 18-M	GFA 18-W	GFA 18-E	GFA 18-WM
Référence		3 601 JK6 2..	-	-	-	-
Tension nominale	V=	18	-	-	-	-
Régime à vide ^{A)}						
- 1ère vitesse	tr/ min	0-630	-	-	-	-
- 2ème vitesse	tr/ min	0-2 100	-	-	-	-
Couple maxi (vissage tendre) ^{A)}	Nm	36	-	-	-	-

Perceuse-visseuse sans fil		GSR 18V-90 FC	GFA 18-M	GFA 18-W	GFA 18-E	GFA 18-WM
Couple maxi (vissage dur) ^{A)}	Nm	64	-	-	-	-
Ø de perçage maxi						
- Bois	mm	68	-	-	-	-
- Acier	mm	13	-	-	-	-
- Béton	mm	10	-	-	-	-
Ø de vissage maxi	mm	12	-	-	-	-
Porte-outil	mm	6,35 Six pans ¼"	1,5-13	6,35 Six pans ¼"	6,35 Six pans ¼"	1,5-13
Poids ^{B)}	kg	1,3-2,3 ^{C)}	0,38	0,44	0,44	0,66
Températures ambiantes recommandées pour la charge	°C	0 ... +35				
Températures ambiantes autorisées pour l'utilisation et pour le stockage	°C	-20 ... +50				
Batteries recommandées		GBA 18V... ProCORE18V...	-	-	-	-
Chargeurs recommandés		GAL 18... GAX 18... GAL 36...	-	-	-	-

A) Mesuré à 20-25 °C avec accu **GBA 18V 5.0Ah**.

B) selon l'accumulateur utilisé

C) Mesuré avec **GBA 18V 1.5Ah** et **GBA 18V 12.0Ah**.

Les valeurs peuvent varier selon le produit, les conditions d'utilisation et les conditions ambiantes. Pour plus d'informations, rendez-vous sur www.bosch-professional.com/wac.

Informations sur le niveau sonore/les vibrations

		GSR 18V-90 FC	GFA 18-M	GFA 18-W	GFA 18-E	GFA 18-WM
Valeurs d'émissions sonores déterminées conformément à EN 62841-2-1 pour GFA 18-M, GFA 18-WM .						
Valeurs d'émissions sonores déterminées conformément à EN 62841-2-2 pour GSR 18V-90 FC, GFA 18-W, GFA 18-E .						
Le niveau sonore en dB(A) typique de l'outil électroportatif est de						
Niveau de pression acoustique	dB(A)	77,5	78	78,5	78,5	79
	dB(A)	85,5	86	86,5	86,5	87
Niveau de puissance acoustique	dB	3	5	3	3	5
Incertitude K						
Portez un casque antibruit !						

Valeurs globales de vibration a_h (somme vectorielle sur les trois axes) et incertitude K conformément à **EN 62841-2-1** pour **GFA 18-M, GFA 18-WM** :

Valeurs globales de vibration a_h (somme vectorielle sur les trois axes) et incertitude K conformément à **EN 62841-2-2** pour **GSR 18V-90 FC, GFA 18-W, GFA 18-E** :

Perçage dans du métal :

a_h	m/s^2	-	< 2,5	-	-	< 2,5
K	m/s^2	-	1,5	-	-	1,5

Vissage :

a_h	m/s^2	< 2,5	-	< 2,5	< 2,5	-
K	m/s^2	1,5	-	1,5	1,5	-

Le niveau de vibration et la valeur d'émission sonore indiqués dans cette notice d'utilisation ont été mesurés selon une procédure de mesure normalisée et peuvent être utilisés pour établir une comparaison entre différents outils électroportatifs. Ils peuvent aussi servir de base à une estimation préliminaire du taux de vibration et du niveau sonore.

Le niveau de vibration et la valeur d'émission sonore indiqués s'appliquent pour les utilisations principales de l'outil électroportatif. Si l'outil électroportatif est utilisé pour d'autres applications, avec d'autres accessoires de travail ou sans avoir fait l'objet d'un entretien régulier, le niveau de vibration et la valeur d'émission sonore peuvent différer. Il peut en résulter des vibrations et un niveau sonore nettement plus élevés pendant toute la durée de travail.

Pour une estimation précise du niveau de vibration et du niveau sonore, il faut aussi prendre en considération les périodes pendant lesquelles l'outil est éteint ou bien en marche sans être vraiment en action. Il peut en résulter au final un niveau de vibration et un niveau sonore nettement plus faibles pendant toute la durée de travail.

Prévoyez des mesures de protection supplémentaires permettant de protéger l'utilisateur de l'effet des vibrations, par exemple : maintenance de l'outil électroportatif et des accessoires de travail, maintien des mains au chaud, organisation des procédures de travail.

Accu

Bosch vend ses outils électroportatifs sans-fil aussi sans accu. Il est indiqué sur l'emballage si un accu est fourni ou non avec l'outil électroportatif.

Recharge de l'accu

► **N'utilisez que les chargeurs indiqués dans les Caractéristiques techniques.** Seuls ces chargeurs sont adaptés à l'accu Lithium-Ion de votre outil électroportatif.

Remarque : Les dispositions internationales en vigueur pour le transport de marchandises obligent à livrer les accus Lithium-Ion partiellement chargés. Pour que les accus soient pleinement performants, chargez-les complètement avant leur première utilisation.

Mise en place de l'accu

Insérez l'accu dans le compartiment à accu jusqu'à ce qu'il s'enclenche.

Retrait de l'accu


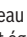
Pour retirer l'accu, appuyez sur le bouton de déverrouillage de l'accu et sortez l'accu de l'outil électroportatif. **Ne forcez pas.**

L'accu dispose d'un double verrouillage permettant d'éviter qu'il tombe si vous appuyez par mégarde sur le bouton de déverrouillage d'accu. Tant que l'accu est en place dans l'outil électroportatif, un ressort le maintient en position.

Indicateur de niveau de charge de l'accu

Remarque : Tous les types d'accu ne possèdent pas d'indicateur d'état de charge.

Les LED vertes de l'indicateur d'état de charge indiquent le niveau de charge de la batterie. Pour des raisons de sécurité, il n'est possible d'afficher l'état de charge que quand l'outil électroportatif est à l'arrêt.

Pour afficher le niveau de charge, appuyez sur le bouton de l'indicateur de niveau de charge  ou . L'affichage du niveau de charge est également possible après retrait de l'accu.

Si aucune LED ne s'allume après avoir appuyé sur le bouton de l'indicateur de niveau de charge, la batterie est défectueuse et doit être remplacée.

Le niveau de charge de l'accu est également affiché sur l'écran de contrôle (voir « Affichages d'état », Page 24).

Batterie de type GBA 18V...



LED	Capacité
Allumage permanent en vert de 3 LED	60–100 %
Allumage permanent en vert de 2 LED	30–60 %
Allumage permanent en vert de 1 LED	5–30 %
Clignotement en vert de 1 LED	0–5 %

Batterie de type ProCORE18V...



LED	Capacité
Allumage permanent en vert de 5 LED	80–100 %
Allumage permanent en vert de 4 LED	60–80 %
Allumage permanent en vert de 3 LED	40–60 %
Allumage permanent en vert de 2 LED	20–40 %
Allumage permanent en vert de 1 LED	5–20 %
Clignotement en vert de 1 LED	0–5 %

Indications pour une utilisation optimale de la batterie

Protégez l'accu de l'humidité et de l'eau.

Ne stockez l'accu que dans la plage de températures de –20 à 50 °C. Ne laissez par ex. pas l'accu dans une voiture en plein été.

Nettoyez de temps en temps les orifices de ventilation de l'accu à l'aide d'un pinceau doux, propre et sec.

Une baisse notable de l'autonomie de l'accu au fil des recharges effectuées indique que l'accu est arrivé en fin de vie et qu'il doit être remplacé.

Respectez les indications concernant l'élimination.

Montage

- **Retirez systématiquement la batterie avant toute intervention sur l'outil électroportatif (maintenance, changement d'accessoire, etc.).** Il y a sinon risque de blessure si vous appuyez par mégarde sur l'interrupteur Marche/Arrêt.

Mise en place du module *Bluetooth*® Low Energy GCY 42 / GCY 42 NC

Pour plus d'informations, veuillez lire la notice d'utilisation du module *Bluetooth*® Low Energy **GCY 42 / GCY 42 NC**.

Changement d'accessoire

Montage d'un accessoire de travail (voir figure A)

Poussez la bague de verrouillage (2) vers l'arrière et introduisez l'accessoire dans le porte-outil (1) en le tournant. Relâchez la bague de verrouillage (2) afin de bloquer l'accessoire.

Retrait d'un accessoire de travail

Poussez la bague de verrouillage (2) vers l'arrière et sortez l'accessoire du porte-outil (1).

Montage de l'adaptateur mandrin de perçage (voir figure B)

Retirez l'outil de travail.

Insérez l'adaptateur dans le logement (1). Tournez la bague de serrage (20) jusqu'à ce qu'elle s'enclenche de manière audible.

Insertion d'un accessoire de travail dans l'adaptateur

GFA 18-E/GFA 18-W (voir figure C):

Poussez la bague de verrouillage (2) vers l'arrière et introduisez l'accessoire dans le porte-outil (1) en le tournant. Relâchez la bague de verrouillage (2) afin de bloquer l'accessoire.

GFA 18-M/GFA 18-B/GFA 18-WM (voir figure D):

Ouvrez l'adaptateur mandrin de perçage en le tournant dans le sens ① jusqu'à ce que l'accessoire de travail puisse être introduit. Insérez l'accessoire de travail.

Tournez fermement à la main la bague du mandrin de perçage dans le sens ②. Le mandrin se verrouille alors automatiquement.

Changement de position de l'adaptateur (GFA 18-W, GFA 18-E, GFA 18-WM) (voir figure E)

Tirez l'adaptateur vers l'avant. Orientez l'adaptateur dans la position souhaitée et relâchez-le pour le bloquer. L'adaptateur peut s'enclencher dans 16 positions réparties sur 360°.

Retrait de l'adaptateur (voir figure F)

Retirez l'accessoire de travail.

Déverrouillez l'adaptateur en le tournant dans le sens ③ et retirez-le du porte-outil (1).

Aspiration de poussières/de copeaux

Les poussières de matériaux tels que peintures contenant du plomb, certains bois, minéraux ou métaux, peuvent être nuisibles à la santé. Entrer en contact ou aspirer les poussières peut entraîner des réactions allergiques et/ou des maladies respiratoires auprès de l'utilisateur ou de personnes se trouvant à proximité.

Certaines poussières telles que les poussières de chêne ou de hêtre sont considérées comme cancérigènes, surtout en association avec des additifs pour le traitement du bois (chromate, lazure). Les matériaux contenant de l'amiante ne doivent être travaillés que par des personnes qualifiées.

- Veillez à bien aérer la zone de travail.
- Il est recommandé de porter un masque respiratoire avec un niveau de filtration de classe P2.

Respectez les règlements spécifiques aux matériaux à traiter en vigueur dans votre pays.

- **Évitez toute accumulation de poussières sur le lieu de travail.** Les poussières peuvent facilement s'enflammer.

Mise en marche

Mise en marche

Sélection du sens de rotation (voir figure H)

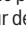
- **N'actionnez le sélecteur de sens de rotation (11) que quand l'outil électroportatif est à l'arrêt.**



Le sélecteur de sens de rotation (11) permet d'inverser le sens de rotation de l'outil électroportatif. Cela n'est toutefois pas possible lorsqu'on appuie sur l'interrupteur Marche/Arrêt (12).

Rotation droite : Pour percer et visser, poussez le sélecteur de sens de rotation (11) à fond vers la gauche.

Rotation gauche : Pour desserrer ou dévisser des vis et des écrous, actionnez le sélecteur de sens de rotation (11) à fond vers la droite.

Présélection du couple

La bague de présélection de couple (3) permet de pré régler 20 couples différents. En cas de réglage correct, l'accessoire de travail s'immobilise dès que la vis arrive au ras de la surface ou que le couple présélectionné est atteint. Dans la position , le limiteur de couple est désactivé, par ex. pour les perçages.

Pour desserrer des vis, choisissez éventuellement un réglage plus élevé ou réglez le sélecteur de mode sur le symbole . La position  permet de percer et de visser avec le couple maximal.

Sélection mécanique de la vitesse

- **N'actionnez le sélecteur de vitesse (4) que quand l'outil électroportatif est à l'arrêt.**

- **Poussez le sélecteur de vitesse toujours jusqu'à la butée.** L'outil électroportatif risque sinon d'être endommagé.

Le sélecteur de vitesse (4) permet de présélectionner 2 plages de vitesse de rotation.

Position du sélecteur de mode de fonctionnement (4)	Vitesse de rotation	Couple	Application
1	Faible	Élevé	Pour les applications exigeantes : p. ex. perçages et vissages de gros diamètres
2	Élevé	Faible	Pour les applications peu exigeantes : p. ex. perçages et vissages de petits diamètres

Sélection d'un mode de fonctionnement



Perçage

Positionnez la bague de présélection de couple (3) sur le symbole « Perçage » pour disposer du couple maximal lors des perçages et des vissages.



Vissage

Réglez le couple souhaité avec la bague de présélection de couple (3).

Mise en marche/arrêt

Pour **mettre en marche** l'outil électroportatif, actionnez l'interrupteur Marche/Arrêt (12) et maintenez-le actionné.

La LED d'éclairage (24) s'allume dès que l'interrupteur Marche/Arrêt (12) est enfoncé un peu ou complètement. Il permet d'éclairer la zone de travail dans les endroits sombres.

Réglage de la vitesse de rotation

Il est possible de faire varier en continu la vitesse de rotation de l'outil électroportatif en exerçant plus ou moins de pression sur l'interrupteur Marche/Arrêt (12).

Une légère pression sur l'interrupteur Marche/Arrêt (12) produit une faible vitesse de rotation. Plus l'on exerce de pression, plus la vitesse de rotation augmente.

Protection contre les surcharges en fonction de la température

Si l'outil électroportatif est utilisé de manière conforme, tout risque de surcharge est exclu. En cas de trop forte sollicitation de l'outil ou de surchauffe de l'accu, la vitesse de rotation est réduite ou l'outil électroportatif s'arrête. L'outil électroportatif se remet à fonctionner à plein régime dès que la température repasse dans la plage des températures admissibles.

La surcharge de l'outil électroportatif est signalée sur l'outil électroportatif par l'allumage en rouge de la LED.

- Pour revenir dans la plage de températures admissibles, faites tourner l'outil électroportatif à vide ou attendez que la LED s'allume à nouveau en vert.

Si la LED est allumée en vert, c'est que l'outil se trouve à nouveau dans la plage de températures de fonctionnement admissible.

Écran de contrôle (voir figure I)

L'écran de contrôle (10) sert à l'activation et désactivation de l'embrayage de précision « Precision Clutch », du dispositif d'arrêt rapide « KickBack Control » et à l'affichage de l'état de l'outil électroportatif.

Embrayage de précision (Precision Clutch)



L'embrayage de précision arrête les impacts lorsque le couple réglé est atteint et réduit ainsi l'usure de l'embrayage et le bruit résultant.

L'embrayage de précision peut être désactivé sur l'interface utilisateur (10) avec la touche embrayage de précision (25). L'état actuel est signalé par la LED Embrayage de précision (26) sur l'interface utilisateur (10).

Arrêt rapide (KickBack Control)



Le dispositif d'arrêt rapide (KickBack Control) améliore la maîtrise de l'outil électroportatif et donc la sécurité d'utilisation par rapport aux outils électroportatifs sans KickBack Control. L'outil électroportatif

s'arrête immédiatement dès qu'il se met subitement, et de façon imprévisible, à tourner autour de l'axe du foret.

L'activation du dispositif d'arrêt rapide (KickBack Control) est signalée par le clignotement rouge de la LED (21), le clignotement de la LED d'éclairage (24) et l'allumage en rouge de la LED KickBack Control (22) sur l'outil électroportatif.

Pour **remettre en marche** l'outil électroportatif, relâchez l'interrupteur Marche/Arrêt et actionnez-le à nouveau.

- **En cas de défaillance de la fonction KickBack Control, l'outil électroportatif ne peut plus être mis en marche. Faites réparer l'outil électroportatif par un professionnel qualifié utilisant uniquement des pièces de rechange Bosch d'origine.**

Le dispositif d'arrêt rapide peut être désactivé en actionnant la touche KickBack Control (23) sur l'écran de contrôle (10). Le dispositif d'arrêt rapide se réactive automatiquement après 5 minutes de non-utilisation de l'outil électroportatif ou en cas de retrait de l'accu. L'état actuel est signalé par la LED KickBack Control (22) sur l'écran de contrôle (10).

- **Remarque : Veuillez tenir compte du fait que l'avertissement par les LED n'est pas visible depuis toutes les directions. L'avertissement par les LED est difficilement visible par forte luminosité.**

Affichages d'état

Affichage d'état de l'outil électroportatif	Signification/cause	Remède
Vert	État normal	–
Jaune	Température critique atteinte, accu presque vide ou dispositif KickBack Control désactivé	Faites fonctionner l'outil électroportatif à vide et attendez qu'il refroidisse ou bien changez / rechargez l'accu ou bien actionnez la touche Kick-Back Control
Rouge non clignotant	Outil électroportatif en surchauffe ou accu vide	Laissez refroidir l'outil électroportatif ou bien changez / rechargez l'accu
Rouge clignotant	Entrée en action du dispositif d'arrêt rapide	Éteignez et remettez en marche l'outil électroportatif
Bleu clignotant	L'outil électroportatif est connecté à un appareil mobile ou les réglages sont en train d'être transmis	–

Fonctions de connectivité

En combinaison avec le module *Bluetooth®* Low Energy **GCY 42 / GCY 42 NC**, les fonctions de connectivité suivantes sont disponibles pour l'outil électroportatif :

- Enregistrement et personnalisation
- Vérification d'état, émission d'avertissements
- Informations générales
- Gestion
- Activation/désactivation de la LED d'éclairage
- Réglage de la luminosité et durée de post-allumage de la LED d'éclairage
- Réglage de la luminosité et durée de post-allumage de l'écran de contrôle

Pour plus d'informations, veuillez lire la notice d'utilisation du module *Bluetooth®* Low Energy **GCY 42 / GCY 42 NC**.

Instructions d'utilisation

- ▶ **En présence du module *Bluetooth®* Low Energy GCY 42 / GCY 42 NC (accessoire), l'outil électroportatif est doté d'une interface radio. Observez les restrictions d'utilisation locales en vigueur, par ex. dans les avions ou dans les hôpitaux.**
- ▶ **Ne positionnez l'outil électroportatif sur la vis que lorsqu'il est arrêté.** Un accessoire en rotation risque de glisser.

Clip de ceinture

Le clip de ceinture (7) permet d'accrocher l'outil électroportatif à une ceinture ou autre. Vous avez donc les deux mains libres et l'outil électroportatif est à tout moment à portée de main.

Entretien et Service après-vente

Nettoyage et entretien

- ▶ **Retirez systématiquement la batterie avant toute intervention sur l'outil électroportatif (maintenance, changement d'accessoire, etc.).** Il y a sinon risque de

blessure si vous appuyez par mégarde sur l'interrupteur Marche/Arrêt.

- ▶ **Toujours tenir propres l'outil électroportatif ainsi que les fentes de ventilation afin d'obtenir un travail impeccable et sûr.**

Service après-vente et conseil utilisateurs

Notre Service Après-Vente répond à vos questions concernant la réparation et l'entretien de votre produit et les pièces de rechange. Des vues éclatées ainsi que des informations concernant les pièces de rechange se trouvent également sous : **www.bosch-pt.com**

L'équipe de conseil utilisateurs Bosch se tient à votre disposition pour répondre à vos questions concernant nos produits et leurs accessoires.

Pour toute demande de renseignement ou commande de pièces de rechange, nous précisons impérativement le numéro d'article à dix chiffres indiqué sur la plaque signalétique du produit.

Maroc

Robert Bosch Morocco SARL
53, Rue Lieutenant Mahroud Mohamed
20300 Casablanca
Tel. : +212 5 29 31 43 27
E-Mail : sav.outillage@ma.bosch.com

Vous trouverez d'autres adresses de service sous :

www.bosch-pt.com/serviceaddresses

Transport

Les batteries Lithium-ion recommandées sont soumises aux règlements de transport des matières dangereuses. L'utilisateur peut transporter les batteries par voie routière sans mesures supplémentaires.

Lors d'une expédition par tiers (par ex. : transport aérien ou entreprise de transport), les mesures à prendre spécifiques à l'emballage et au marquage doivent être observées. Dans un tel cas, lors de la préparation de l'envoi, il est impératif de faire appel à un expert en transport des matières dangereuses.

N'expédiez les accumulateurs que si le carter n'est pas endommagé. Recouvrez les contacts à l'air libre et emballez l'accu de manière à ce qu'il ne se déplace pas dans l'emballage. Veuillez également respecter les réglementations supérieures éventuellement en vigueur dans votre pays.

Élimination des déchets



Les outils électroportatifs, les accus ainsi que leurs accessoires et emballages doivent être rapportés dans un centre de recyclage respectueux de l'environnement.



Ne jetez pas les outils électroportatifs et les accus/piles avec les ordures ménagères !

Accus/piles :

Li-Ion :

Veuillez respecter les indications se trouvant dans le chapitre Transport (voir « Transport », Page 24).

Português

Instruções de segurança

Instruções gerais de segurança para ferramentas eléctricas

AVISO

Devem ser lidas todas as indicações de segurança,

instruções, ilustrações e especificações desta ferramenta eléctrica. O desrespeito das instruções apresentadas abaixo poderá resultar em choque eléctrico, incêndio e/ou ferimentos graves.

Guarde bem todas as advertências e instruções para futura referência.

O termo "ferramenta eléctrica" utilizado a seguir nas indicações de advertência, refere-se a ferramentas eléctricas operadas com corrente de rede (com cabo de rede) e a ferramentas eléctricas operadas com acumulador (sem cabo de rede).

Segurança da área de trabalho

- ▶ **Mantenha a sua área de trabalho sempre limpa e bem iluminada.** Desordem ou áreas de trabalho insuficientemente iluminadas podem levar a acidentes.
- ▶ **Não trabalhar com a ferramenta eléctrica em áreas com risco de explosão, nas quais se encontrem líquidos, gases ou pós inflamáveis.** Ferramentas eléctricas produzem faíscas, que podem inflamar pós ou vapores.
- ▶ **Manter crianças e outras pessoas afastadas da ferramenta eléctrica durante a utilização.** No caso de distração é possível que perca o controlo sobre o aparelho.

Segurança eléctrica

- ▶ **A ficha de conexão da ferramenta eléctrica deve caber na tomada. A ficha não deve ser modificada de maneira alguma. Não utilizar uma ficha de adaptação junto com ferramentas eléctricas protegidas por ligação à terra.** Fichas não modificadas e tomadas apropriadas reduzem o risco de um choque eléctrico.
- ▶ **Evitar que o corpo possa entrar em contacto com superfícies ligadas à terra, como tubos, aquecimentos, fogões e frigoríficos.** Há um risco elevado devido a choque eléctrico, se o corpo estiver ligado à terra.
- ▶ **Manter o aparelho afastado de chuva ou humidade.** A infiltração de água numa ferramenta eléctrica aumenta o risco de choque eléctrico.
- ▶ **Não deverá utilizar o cabo para outras finalidades. Nunca utilizar o cabo para transportar a ferramenta eléctrica, para pendurá-la, nem para puxar a ficha da tomada. Manter o cabo afastado do calor, do óleo, de arestas afiadas ou de peças em movimento.** Cabos danificados ou emaranhados aumentam o risco de um choque eléctrico.
- ▶ **Se trabalhar com uma ferramenta eléctrica ao ar livre, só deverá utilizar cabos de extensão apropriados para áreas exteriores.** A utilização de um cabo de extensão apropriado para áreas exteriores reduz o risco de um choque eléctrico.
- ▶ **Se não for possível evitar o funcionamento da ferramenta eléctrica em áreas húmidas, deverá ser utilizado um disjuntor de corrente de avaria.** A utilização de um disjuntor de corrente de avaria reduz o risco de um choque eléctrico.

Segurança de pessoas

- ▶ **Esteja atento, observe o que está a fazer e tenha prudência ao trabalhar com a ferramenta eléctrica. Não utilizar uma ferramenta eléctrica quando estiver fatigado ou sob a influência de drogas, álcool ou medicamentos.** Um momento de descuido ao utilizar a ferramenta eléctrica, pode levar a lesões graves.
- ▶ **Utilizar equipamento de protecção individual. Utilizar sempre óculos de protecção.** A utilização de equipamento de protecção pessoal, como máscara de protecção contra pó, sapatos de segurança antiderrapantes, capacete de segurança ou protecção auricular, de acordo com o tipo e aplicação da ferramenta eléctrica, reduz o risco de lesões.
- ▶ **Evitar uma colocação em funcionamento involuntária. Assegure-se de que a ferramenta eléctrica esteja desligada, antes de conectá-la à alimentação de rede e/ou ao acumulador, antes de levantá-la ou de transportá-la.** Se tiver o dedo no interruptor ao transportar a ferramenta eléctrica ou se o aparelho for conectado à alimentação de rede enquanto estiver ligado, poderão ocorrer acidentes.
- ▶ **Remover ferramentas de ajuste ou chaves de boca antes de ligar a ferramenta eléctrica.** Uma ferramenta

ou chave que se encontre numa parte do aparelho em movimento pode levar a lesões.

- ▶ **Evite uma posição anormal. Mantenha uma posição firme e mantenha sempre o equilíbrio.** Desta forma é mais fácil controlar a ferramenta eléctrica em situações inesperadas.
- ▶ **Usar roupa apropriada. Não usar roupa larga nem jóias. Mantenha os cabelos e roupas afastados de peças em movimento.** Roupas frouxas, cabelos longos ou jóias podem ser agarrados por peças em movimento.
- ▶ **Se for possível montar dispositivos de aspiração ou de recolha, assegure-se de que estejam conectados e utilizados correctamente.** A utilização de uma aspiração de pó pode reduzir o perigo devido ao pó.
- ▶ **Não deixe que a familiaridade resultante de uma utilização frequente de ferramentas permita que você se torne complacente e ignore os princípios de segurança da ferramenta.** Uma acção descuidada pode causar ferimentos graves numa fracção de segundo.

Utilização e manuseio cuidadoso de ferramentas eléctricas

- ▶ **Não sobrecarregue a ferramenta eléctrica. Utilize a ferramenta eléctrica apropriada para o seu trabalho.** É melhor e mais seguro trabalhar com a ferramenta eléctrica apropriada na área de potência indicada.
- ▶ **Não utilizar uma ferramenta eléctrica com um interruptor defeituoso.** Uma ferramenta eléctrica que não pode mais ser ligada nem desligada, é perigosa e deve ser reparada.
- ▶ **Puxar a ficha da tomada e/ou remover o acumulador, se amovível, antes de executar ajustes na ferramenta eléctrica, de substituir acessórios ou de guardar as ferramentas eléctricas.** Esta medida de segurança evita o arranque involuntário da ferramenta eléctrica.
- ▶ **Guardar ferramentas eléctricas não utilizadas fora do alcance de crianças e não permitir que as pessoas que não estejam familiarizadas com o aparelho ou que não tenham lido estas instruções utilizem o aparelho.** Ferramentas eléctricas são perigosas se forem utilizadas por pessoas inexperientes.
- ▶ **Tratar a ferramenta eléctrica e os acessórios com cuidado. Controlar se as partes móveis do aparelho funcionam perfeitamente e não emperram, e se há peças quebradas ou danificadas que possam prejudicar o funcionamento da ferramenta eléctrica. Permitir que peças danificadas sejam reparadas antes da utilização.** Muitos acidentes têm como causa, a manutenção insuficiente de ferramentas eléctricas.
- ▶ **Mantener as ferramentas de corte afiadas e limpas.** Ferramentas de corte cuidadosamente tratadas e com cantos de corte afiados emperram com menos frequência e podem ser conduzidas com maior facilidade.
- ▶ **Utilizar a ferramenta eléctrica, acessórios, ferramentas de aplicação, etc. conforme estas instruções. Considerar as condições de trabalho e a tarefa a ser executada.** A utilização de ferramentas

eléctricas para outras tarefas a não ser as aplicações previstas, pode levar a situações perigosas.

- ▶ **Mantenha os punhos e as superfícies de agarrar secas, limpas e livres de óleo e massa consistente.** Punhos e superfícies de agarrar escorregadias não permitem o manuseio e controle seguros da ferramenta em situações inesperadas.

Manuseio e utilização cuidadosos de ferramentas com acumuladores

- ▶ **Só carregar acumuladores em carregadores recomendados pelo fabricante.** Há perigo de incêndio se um carregador apropriado para um certo tipo de acumuladores for utilizado para carregar acumuladores de outros tipos.
- ▶ **Só utilizar ferramentas eléctricas com os acumuladores apropriados.** A utilização de outros acumuladores pode levar a lesões e perigo de incêndio.
- ▶ **Mantener o acumulador que não está sendo utilizado afastado de cliques, moedas, chaves, parafusos ou outros pequenos objectos metálicos que possam causar um curto-circuito dos contactos.** Um curto-circuito entre os contactos do acumulador pode ter como consequência queimaduras ou fogo.
- ▶ **No caso de aplicação incorrecta pode vaziar líquido do acumulador. Evitar o contacto. No caso de um contacto accidental, deverá enxaguar com água. Se o líquido entrar em contacto com os olhos, também deverá consultar um médico.** Líquido que escapa do acumulador pode levar a irritações da pele ou a queimaduras.
- ▶ **Não use um acumulador ou uma ferramenta danificada ou modificada.** Os acumuladores danificados ou modificados exibem um comportamento imprevisível podendo causar incêndio, explosão ou risco de lesão.
- ▶ **Não exponha o acumulador ou a ferramenta ao fogo ou temperatura excessiva.** A exposição ao fogo ou a temperaturas acima de 130 °C pode causar explosão.
- ▶ **Siga todas as instruções de carregamento e não carregue o acumulador ou a ferramenta fora da faixa de temperatura especificada no manual de instruções.** Carregar indevidamente ou em temperaturas fora da faixa especificada pode danificar o acumulador e aumentar o risco de incêndio.

Serviço

- ▶ **Só permita que o seu aparelho seja reparado por pessoal especializado e qualificado e só com peças de reposição originais.** Desta forma é assegurado o funcionamento seguro do aparelho.
- ▶ **Nunca tente reparar acumuladores danificados.** A reparação de acumuladores deve ser realizada apenas pelo fabricante ou agentes de assistência autorizados.

Indicações de segurança para aparafusadoras

Instruções de segurança para todas as operações

- ▶ **Segure a ferramenta elétrica nas superfícies de agarrar isoladas, ao executar uma operação onde o acessório de corte ou elemento de fixação possam entrar em contacto com cabos escondidos.** Se o acessório de corte ou os elementos de fixação entrarem em contacto com um cabo "sob tensão", as partes metálicas expostas da ferramenta elétrica ficam "sob tensão" e podem produzir um choque elétrico.

Instruções de segurança ao usar brocas longas

- ▶ **Nunca opere a uma velocidade maior do que a velocidade máxima da broca.** A velocidades mais altas, a broca pode dobrar-se ao rodar livremente sem entrar em contacto com a peça de trabalho, causando ferimento pessoal.
- ▶ **Comece sempre a perfurar a baixa velocidade e com a ponta da broca em contacto com a peça de trabalho.** A velocidades mais altas, a broca pode dobrar-se ao rodar livremente sem entrar em contacto com a peça de trabalho, causando ferimento pessoal.
- ▶ **Aplique pressão apenas em linha direta com a broca e não aplique pressão excessiva.** As brocas podem dobrar-se, causando rutura ou perda de controlo, ou mesmo ferimento pessoal.

Instruções de segurança adicionais

- ▶ **Fixar a peça a ser trabalhada.** Uma peça a ser trabalhada fixa com dispositivos de aperto ou com torno de bancada está mais firme do que segura da com a mão.
- ▶ **Esperre que a ferramenta elétrica pare completamente, antes de depositá-la.** A ferramenta de aplicação pode emperrar e levar à perda de controlo sobre a ferramenta elétrica.
- ▶ **Desligue a ferramenta de imediato se a ferramenta de trabalho encravar. Esteja atento aos binários de reação que podem dar origem a contragolpes.** O acessório acoplável fica encravado se a ferramenta elétrica for sobrecarregada ou se ficar emperrada na peça a ser trabalhada.
- ▶ **Utilizar detetores apropriados, para encontrar cabos escondidos, ou consulte a companhia elétrica local.** O contacto com cabos elétricos pode provocar fogo e choques elétricos. Danos em tubos de gás podem levar à explosão. A infiltração num cano de água provoca danos materiais.
- ▶ **Segure bem a ferramenta elétrica.** Ao apertar e soltar parafusos podem ocorrer temporariamente elevados momentos de reação.
- ▶ **Em caso de danos e de utilização incorreta da bateria, podem escapar vapores. A bateria pode incendiar-se ou explodir.** Areje o espaço e procure assistência médica no caso de apresentar queixas. É possível que os vapores irrite as vias respiratórias.
- ▶ **Não altere nem abra o acumulador.** Há perigo de haver um curto-circuito.

- ▶ **Os objetos afiados como, p. ex., pregos ou chaves de fendas, assim como o efeito de forças externas podem danificar o acumulador.** Podem causar um curto-circuito interno e o acumulador pode ficar queimado, deitar fumo, explodir ou sobreaquecer.
- ▶ **Utilize a bateria apenas em produtos do fabricante.** Só assim é que a bateria é protegida contra sobrecarga perigosa.



Proteger a bateria contra calor, p. ex. também contra uma permanente radiação solar, fogo, sujidade, água e humidade. Há risco de explosão ou de um curto-circuito.



- ▶ **Cuidado! A utilização da ferramenta elétrica com Bluetooth® pode dar origem a avarias noutros aparelhos e instalações, aviões e dispositivos médicos (p. ex. pacemakers, aparelhos auditivos). Do mesmo modo, não é possível excluir totalmente danos para pessoas e animais que se encontrem nas proximidades imediatas. Não utilize a ferramenta elétrica com Bluetooth® na proximidade de dispositivos médicos, postos de abastecimento de combustível, instalações químicas, áreas com perigo de explosão e zonas de demolição. Não utilize a ferramenta elétrica com Bluetooth® em aviões. Evite a operação prolongada em contacto direto com o corpo.**

A marca nominativa *Bluetooth®* tal como o símbolo (logótipo), são marcas registadas e propriedade da Bluetooth SIG, Inc. Qualquer utilização desta marca nominativa/deste símbolo por parte da Robert Bosch Power Tools GmbH possui a devida autorização.



AVISO



Mantenha a pilha botão afastada de crianças. As pilhas botão são perigosas.

- ▶ **As pilhas botão não podem nunca ser engolidas ou introduzidas em qualquer orifício corporal. Se suspeitar que a pilha botão foi engolida ou introduzida em qualquer orifício corporal, procure imediatamente um médico.** Engolir uma pilha botão pode causar queimaduras químicas internas graves num espaço de 2 horas e causar a morte.
- ▶ **Ao substituir a pilha botão, certifique-se de que procede corretamente.** Há risco de explosão.
- ▶ **Utilize apenas as pilhas botão mencionadas neste manual de instruções.** Não utilize outras pilhas botão ou outra alimentação de energia.
- ▶ **Não tente recarregar pilhas botão e não corte-circuite a pilha botão.** A pilha botão pode perder a estanqueidade, explodir, queimar e ferir pessoas.
- ▶ **Elimine as pilhas botão descarregadas de forma correta.** As pilhas botão podem perder a estanqueidade e, consequentemente, danificar o produto ou ferir pessoas.

- ▶ **Não sobrequeça a pilha botão e não a mande para o fogo.** A pilha botão pode perder a estanqueidade, explodir, queimar e ferir pessoas.
- ▶ **Não danifique a pilha botão e não a desmonte.** A pilha botão pode perder a estanqueidade, explodir, queimar e ferir pessoas.
- ▶ **Não deixe uma pilha botão danificada entrar em contacto com água.** O lítio que sai da pilha pode formar hidrogénio em contacto com a água e causar incêndio, explosão ou ferimentos em pessoas.

Descrição do produto e do serviço



Leia todas as instruções de segurança e instruções. A inobservância das instruções de segurança e das instruções pode causar choque elétrico, incêndio e/ou ferimentos graves.

Respeite as figuras na parte da frente do manual de instruções.

Utilização adequada

A ferramenta elétrica destina-se a apertar e desapertar parafusos e a furar madeira, metal e plástico.

A ferramenta elétrica pode ser utilizada com um adaptador de ângulo reto (GFA 18-W), adaptador de ângulo reto com mandril de metal (GFA 18-WM), adaptador excêntrico (GFA 18-E), adaptador de mandril (GFA 18-B), adaptador de mandril de metal (GFA 18-M) ou adaptador para martelo perfurador (GFA 18-H).

Os dados e as definições da ferramenta elétrica podem ser transmitidos entre ferramenta e o aparelho terminal móvel através do *Bluetooth*® Low Energy Module **GCY 42 / GCY 42 NC** via tecnologia de radiotransmissão *Bluetooth*®.

Componentes ilustrados

A numeração dos componentes ilustrados refere-se à apresentação da ferramenta elétrica na página de esquemas.

Dados técnicos

Berbequim/aparafusador sem fio		GSR 18V-90 FC	GFA 18-M	GFA 18-W	GFA 18-E	GFA 18-WM
Número de produto		3 601 JK6 2..	-	-	-	-
Tensão nominal	V=	18	-	-	-	-
N.º de rotações em vazio ^{a)}						
- 1.ª velocidade	r.p.m.	0-630	-	-	-	-
- 2.ª velocidade	r.p.m.	0-2100	-	-	-	-
Binário máx. (macio) ^{A)}	Nm	36	-	-	-	-
Binário máx. (duro) ^{A)}	Nm	64	-	-	-	-
Ø máx. de perfuração						
- Madeira	mm	68	-	-	-	-

- (1) Encabadouro da ferramenta
- (2) Bucha de travamento
- (3) Anel de ajuste da pré-seleção do binário
- (4) Seletor de velocidade
- (5) Cobertura Bluetooth® Low Energy Module **GCY 42 / GCY 42 NC**
- (6) Porta-bits^{a)}
- (7) Suporte de fixação ao cinto^{a)}
- (8) Bateria^{a)}
- (9) Tecla de desbloqueio da bateria^{a)}
- (10) Interface de utilizador
- (11) Comutador do sentido de rotação
- (12) Interruptor de ligar/desligar
- (13) Punho (superfície do punho isolada)
- (14) Adaptador de bucha de metal GFA 18-M^{a)}
- (15) Adaptador de bucha GFA 18-B^{a)}
- (16) Adaptador de ângulo reto GFA 18-W^{a)}
- (17) Adaptador excêntrico GFA 18-E^{a)}
- (18) Adaptador de ângulo reto com mandril de metal GFA 18-WM^{a)}
- (19) Adaptador para martelo perfurador GFA 18-H^{a)}
- (20) Anel de fixação^{a)}

Interface de utilizador

- (21) Indicação do estado da ferramenta elétrica
 - (22) LED para KickBack Control
 - (23) Tecla para KickBack Control
 - (24) Luz de trabalho (LED)
 - (25) Botão para acoplamento de precisão
 - (26) LED para acoplamento de precisão
- a) **Este acessório não pertence ao volume de fornecimento.**

Berbequim/aparafusador sem fio		GSR 18V-90 FC	GFA 18-M	GFA 18-W	GFA 18-E	GFA 18-WM
- Aço	mm	13	-	-	-	-
- Betão	mm	10	-	-	-	-
Ø máx. do parafuso	mm	12	-	-	-	-
Encabadouro da ferramenta	mm	6,35 Sextavado interior ¼"	1,5-13	6,35 Sextavado interior ¼"	6,35 Sextavado interior ¼"	1,5-13
Peso ^{B)}	kg	1,3-2,3 ^{C)}	0,38	0,44	0,44	0,66
Temperatura ambiente recomendada durante o carregamento	°C	0 ... +35				
Temperatura ambiente admissível em funcionamento e durante o armazenamento	°C	-20 ... +50				
Baterias recomendadas		GBA 18V... ProCORE18V...	-	-	-	-
Carregadores recomendados		GAL 18... GAX 18... GAL 36...	-	-	-	-

A) Medido a 20-25 °C com bateria **GBA 18V 5.0Ah**.

B) dependendo da bateria utilizada

C) Medido com **GBA 18V 1.5Ah** e **GBA 18V 12.0Ah**.

Os valores podem variar em função do produto e estar sujeitos a condições de aplicação e do meio ambiente. Para mais informações consulte www.bosch-professional.com/wac.

Informação sobre ruídos / vibrações

		GSR 18V-90 FC	GFA 18-M	GFA 18-W	GFA 18-E	GFA 18-WM
--	--	---------------	----------	----------	----------	-----------

Os valores de emissão de ruído foram determinados de acordo com **EN 62841-2-1** para **GFA 18-M, GFA 18-WM**.

Os valores de emissão de ruído foram determinados de acordo com **EN 62841-2-2** para **GSR 18V-90 FC, GFA 18-W, GFA 18-E**.

Normalmente, o nível sonoro de classe A da ferramenta elétrica compreende

Nível de pressão sonora	dB(A)	77,5	78	78,5	78,5	79
Nível de potência sonora	dB	3	5	3	3	5

Incerteza K

Utilizar proteção auditiva!

Valores totais de vibração a_h (soma dos vetores das três direções) e incerteza K determinada segundo **EN 62841-2-1** para **GFA 18-M, GFA 18-WM**:

Valores totais de vibração a_h (soma dos vetores das três direções) e incerteza K determinados segundo **EN 62841-2-2** para **GSR 18V-90 FC, GFA 18-W, GFA 18-E**:

Furar metal:						
a_h	m/s^2	-	< 2,5	-	-	< 2,5
K	m/s^2	-	1,5	-	-	1,5
Aparafusar:						
a_h	m/s^2	< 2,5	-	< 2,5	< 2,5	-
K	m/s^2	1,5	-	1,5	1,5	-

O nível de vibrações indicado nestas instruções e o valor de emissões sonoras foram medidos de acordo com um processo de medição normalizado e podem ser utilizados para a comparação de ferramentas elétricas. Também são adequados para uma avaliação provisória das emissões sonoras e de vibrações.

O nível de vibrações indicado e o valor de emissões sonoras representam as aplicações principais da ferramenta elétrica. Se a ferramenta elétrica for utilizada para outras aplicações, ou com outras ferramentas de trabalho ou com manutenção insuficiente, é possível que o nível de vibrações e de emissões sonoras seja diferente. Isto pode aumentar sensivelmente a emissão sonora e de vibrações para o período completo de trabalho.

Para uma estimação exata da emissão sonora e de vibrações, também deveriam ser considerados os períodos nos quais o aparelho está desligado ou funciona, mas não está sendo utilizado. Isto pode reduzir a emissão sonora e de vibrações durante o completo período de trabalho.

Além disso também deverão ser estipuladas medidas de segurança para proteger o operador contra o efeito de vibrações, como por exemplo: manutenção de ferramentas elétricas e acessórios, manter as mãos quentes e organização dos processos de trabalho.

Bateria

Bosch vende ferramentas elétricas sem fio também sem bateria. Pode consultar na embalagem se está incluída uma bateria no volume de fornecimento da sua ferramenta elétrica.

Carregar a bateria

► **Utilize apenas os carregadores listados nos dados técnicos.** Só estes carregadores são apropriados para os baterias de lítio utilizadas para a sua ferramenta elétrica.

Nota: devido a normas de transporte internacionais, as baterias de lítio são fornecidas parcialmente carregadas. Para assegurar a completa potência da bateria, a bateria deverá ser carregada completamente antes da primeira utilização.

Colocar a bateria

Insira a bateria carregada no respetivo encaixe, até que esta esteja engatada.

Retirar a bateria



Para retirar a bateria, pressione a respetiva tecla de desbloqueio e puxe a bateria para fora. **Não empregue força.**

A bateria possui 2 níveis de travamento, que devem evitar, que a bateria caia, caso a tecla de desbloqueio da bateria seja premida por acaso. Enquanto a bateria estiver dentro da ferramenta elétrica, ela é mantida em posição por uma mola.

Indicador do nível de carga da bateria

Nota: Nem todos os tipos de bateria dispõem de um indicador do nível de carga de bateria.

Os LEDs verdes do indicador do nível de carga da bateria indicam o nível de carga da bateria. Por motivos de segurança, a consulta do nível de carga só é possível com a ferramenta elétrica parada.

Prima a tecla para o indicador do nível de carga da bateria  ou  para visualizar o nível de carga. Isto também é possível com a bateria removida.

Se, depois de premir a tecla para o indicador do nível de carga da bateria, não se acender qualquer LED, a bateria tem defeito e tem de ser substituída.

O nível de carga da bateria também é indicado na interface do utilizador (ver "Indicadores de estado", Página 32).

Tipo de bateria GBA 18V...



LED	Capacidade
Luz permanente 3 × verde	60–100 %
Luz permanente 2 × verde	30–60 %
Luz permanente 1 × verde	5–30 %
Luz intermitente 1 × verde	0–5 %

Tipo de bateria ProCORE18V...



LED	Capacidade
Luz permanente 5 × verde	80–100 %
Luz permanente 4 × verde	60–80 %
Luz permanente 3 × verde	40–60 %
Luz permanente 2 × verde	20–40 %
Luz permanente 1 × verde	5–20 %
Luz intermitente 1 × verde	0–5 %

Indicações sobre o manuseio ideal da bateria

Proteger a bateria contra humidade e água.

Armazene a bateria apenas na faixa de temperatura de –20 °C a 50 °C. Por exemplo, não deixe a bateria dentro do automóvel no verão.

Limpar de vez em quando as aberturas de ventilação da bateria com um pincel macio, limpo e seco.

Um tempo de funcionamento reduzido após o carregamento indica que a bateria está gasta e que deve ser substituída.

Observe as indicações sobre a eliminação de forma ecológica.

Montagem

► **Antes de qualquer trabalho na ferramenta elétrica (p. ex. manutenção, troca de ferramenta, etc.) retire a**

bateria da mesma. Há perigo de ferimentos se o interruptor de ligar/desligar for acionado involuntariamente.

Colocar o *Bluetooth*® Low Energy Module GCY 42 / GCY 42 NC

Para informações acerca do *Bluetooth*® Low Energy Module **GCY 42 / GCY 42 NC** leia as respetivas instruções de utilização.

Troca de ferramenta

Introduzir a ferramenta de trabalho (ver figura A)

Desloque a bucha de travamento (2) para trás e coloque a ferramenta de trabalho rodando-a no encabadouro (1). Volte a soltar a bucha de travamento (2) para fixar a ferramenta de trabalho

Remover a ferramenta de trabalho

Empurre a bucha de travamento (2) para trás e retire a ferramenta de trabalho do encabadouro (1).

Montar o adaptador (ver figura B)

Retire o acessório.

Insira o adaptador no encaixe (1). Rode o anel de fixação (20), até este encaixar de forma audível.

Inserir a ferramenta de trabalho no adaptador

GFA 18-E/GFA 18-W (ver figura C):

Desloque a bucha de travamento (2) para trás e coloque a ferramenta de trabalho rodando-a no encabadouro (1). Volte a soltar a bucha de travamento (2) para fixar a ferramenta de trabalho

GFA 18-M/GFA 18-B/GFA 18-WM (ver figura D):

Abra o adaptador de bucha rodando no sentido de rotação ①, até ser possível inserir a ferramenta de trabalho. Introduza a ferramenta de trabalho.


Aperte bem à mão a bucha do adaptador de bucha no sentido de rotação ②. A bucha fica assim automaticamente bloqueada.

Rodar o adaptador (GFA 18-W, GFA 18-E, GFA 18-WM) (ver figura E)

Puxe o adaptador para a frente. Rode o adaptador para a posição desejada e depois solte-o para o prender. O adaptador engata em 16 posições distribuídas por 360 graus.

Desmontar o adaptador (ver figura F)

Retire a ferramenta de trabalho.

Desbloqueie o adaptador no sentido  e puxe-o do encabadouro (1) para fora.

Aspiração de pó/de aparas

Pós de materiais como por exemplo, tintas que contém chumbo, alguns tipos de madeira, minerais e metais, podem ser nocivos à saúde. O contacto ou a inalação dos pós pode provocar reações alérgicas e/ou doenças nas vias respiratórias do utilizador ou das pessoas que se encontrem por perto.

Certos pós, como por exemplo pó de carvalho e faia são considerados como sendo cancerígenos, especialmente quando juntos com substâncias para o tratamento de madeiras (cromato, preservadores de madeira). Material que contém asbesto só deve ser processado por pessoal especializado.

- Assegurar uma boa ventilação do local de trabalho.
- É recomendável usar uma máscara de proteção respiratória com filtro da classe P2.

Observe as diretivas para os materiais a serem processados, vigentes no seu país.

- ▶ **Evite a acumulação de pó no local de trabalho.** Pós podem entrar levemente em ignição.

Funcionamento

Colocação em funcionamento

Ajustar o sentido de rotação (ver figura H)



- ▶ **Acione o comutador do sentido de rotação (11) apenas com a ferramenta elétrica parada.**


Com o comutador de sentido de rotação (11) é possível alterar o sentido de rotação da ferramenta elétrica. Com o interruptor de ligar/desligar pressionado (12) isto no entanto não é possível.

Rotação à direita: Para furar e apertar parafusos prima o comutador do sentido de rotação (11) completamente para a esquerda.

Rotação à esquerda: para soltar ou retirar os parafusos pressione o conversor do sentido de rotação (11) para trás até ao batente.

Pré-selecionar o binário

Com o anel de ajuste da pré-seleção do binário (3) pode pré-selecionar o binário necessário em 20 níveis. Com o ajuste certo, a ferramenta de trabalho é parada, assim que parafuso esteja aparafusado à face com o material ou seja atingido o binário ajustado. Na posição  a embraiagem de segurança por desengate está desativada, p. ex. para furar. Ao desaparafusar parafusos, selecione um ajuste maior ou coloque no símbolo .

Na posição  é alcançado o binário máximo para furar e aparafusar.

Regulação mecânica da velocidade

- ▶ **Acione o seletor de velocidade (4) apenas com a ferramenta elétrica parada.**
- ▶ **Sempre empurrar o seletor de velocidade até o fim.** Caso contrário é possível que a ferramenta elétrica seja danificada.

Com o seletor de velocidade (4) podem ser pré-selecionados 2 regimes de rotações.

Posição seletor de mudanças (4)	Número de rotações	Binário	Campo de aplicação
1	Baixo	Alto	Para aplicações difíceis: p. ex. furar e aparafusar com grande diâmetro
2	Alto	Baixo	Para aplicações fáceis: p. ex. furar e aparafusar com pequeno diâmetro

Ajustar o modo de operação



Furar

Coloque o anel de ajuste para a pré-seleção do binário (3) no símbolo "Furar" para alcançar o binário máximo ao furar e aparafusar.



Aparafusar

Coloque o anel de ajuste da pré-seleção do binário (3) no nível de binário desejado.

Ligar/desligar

Para a **colocação em funcionamento** da ferramenta elétrica deverá pressionar o interruptor de ligar/desligar (12) e mantenha-o pressionado.

A luz de trabalho (24) acende-se com o interruptor de ligar/desligar (12) completamente ou ligeiramente premido e permite iluminar o local de trabalho em caso de condições de iluminação desfavoráveis.

Ajustar o número de rotações

Podemos regular a velocidade da ferramenta elétrica ligada de forma contínua, consoante a pressão que faz no interruptor de ligar/desligar (12).

Uma leve pressão sobre o interruptor de ligar/desligar (12) proporciona um número de rotações baixo. Aumentando a pressão, é aumentado o n.º de rotações.

Indicador da proteção contra sobrecarga

Numa utilização correta, a ferramenta elétrica não pode ser sobrecarregada. Em caso de sobrecarga ou saída fora da faixa de temperatura de operação permitida, o número de rotações é reduzido ou a ferramenta elétrica desliga-se. A ferramenta elétrica só volta ao número de rotações máximo depois de atingida a temperatura de operação permitida.

A proteção contra sobrecarga dependente da temperatura é indicada através de um LED aceso a vermelho na ferramenta elétrica.

Indicadores de estado

Indicação do estado da ferramenta elétrica	Significado/causa	Solução
Verde	Estado OK	-

- Para alcançar novamente a faixa de temperatura de operação permitida, opere a ferramenta elétrica em vazio ou aguarde que o LED acenda novamente a verde.

Quando o LED acender a verde, a ferramenta atingiu a faixa de temperatura de operação permitida.

Interface de utilizador (ver figura 1)

A interface de utilizador (10) serve para ativar ou desativar o acoplamento de precisão "Precision Clutch" e o desligamento rápido "KickBack Control", bem como para a indicação do estado da ferramenta elétrica.

Acoplamento de precisão (Precision Clutch)



O acoplamento de precisão para o engate excessivo ao alcançar o binário definido e reduz assim o desgaste do acoplamento e a emissão de ruído daí resultante.

O acoplamento de precisão pode ser desativado na interface de utilizador (10) com o botão do acoplamento de precisão (25). O estado atual é indicado através do LED do acoplamento de precisão (26) na interface de utilizador (10).

Desligamento rápido (KickBack Control)



O desligamento rápido (KickBack Control) oferece um melhor controlo sobre a ferramenta elétrica e aumenta assim a proteção do utilizador comparativamente a ferramentas elétricas sem KickBack Control.

Em caso de uma rotação repentina e imprevista da ferramenta elétrica sobre o eixo de perfuração, a ferramenta elétrica desliga-se.

O desligamento rápido é indicado por um piscar vermelho do LED (21), um piscar da luz de trabalho (24) bem como um acendimento vermelho do LED para KickBack Control (22) na ferramenta elétrica.

Para **voltar a colocar em funcionamento** solte o interruptor de ligar/desligar e volte a acioná-lo.

- **Se a função KickBack Control estiver com defeito, não é possível voltar a ligar a ferramenta elétrica. Só permita que a sua ferramenta elétrica seja reparada por pessoal especializado e qualificado e só com peças de reposição originais.**

O desligamento rápido pode ser desativado na interface de utilizador (10) com a tecla KickBack Control (23). Se a ferramenta elétrica não for utilizada durante mais de 5 minutos ou se a bateria for retirada, o desligamento rápido torna a ligar-se automaticamente. O estado atual é indicado pelo LED KickBack Control (22) na interface de utilizador (10).

- **Nota: a luz de aviso dos LEDs não é visível a partir de todas as direções! É difícil reconhecer a luz de aviso com uma luz solar forte.**

Indicação do estado da ferramenta elétrica	Significado/causa	Solução
Amarelo	A temperatura crítica foi atingida, a bateria está quase descarregada ou o KickBack Control está desligado	Deixe a ferramenta elétrica funcionar em vazio e arrefecer, substitua ou carregue rapidamente a bateria ou prima a tecla KickBack Control
Acender a vermelho	A ferramenta elétrica está sobreaquecida ou a bateria está vazia	Deixe a ferramenta elétrica arrefecer ou substitua ou carregue a bateria
Piscar a vermelho	O desligamento rápido ativou-se	Desligue e volte a ligar a ferramenta elétrica
Piscar a azul	A ferramenta elétrica está ligada ao aparelho terminal móvel ou as definições estão a ser transferidas	–

Funções Connectivity

Combinado com o *Bluetooth*® Low Energy Module **GCY 42 / GCY 42 NC** estão disponíveis as seguintes funções

Connectivity para a ferramenta elétrica:

- Registo e personalização
- Verificação do estado, emissão de mensagens de aviso
- Informações gerais
- Gestão
- Ligar/desligar a luz de trabalho
- Ajuste da luminosidade da luz de trabalho e da duração da iluminação remanescente da luz de trabalho
- Ajuste da luminosidade da interface de utilizador e da duração da iluminação remanescente da interface de utilizador

Para informações acerca do *Bluetooth*® Low Energy Module **GCY 42 / GCY 42 NC** leia as respetivas instruções de utilização.

Instruções de trabalho

- ▶ **A ferramenta elétrica com *Bluetooth*® Low Energy Module GCY 42 / GCY 42 NC colocado (acessório) está equipada com uma interface de comunicações. Devem ser respeitadas as limitações de utilização locais, p. ex. em aviões ou hospitais.**
- ▶ **Só coloque a ferramenta elétrica no parafuso quando esta está desligada.** As ferramentas de trabalho em rotação podem escorregar.

Suporte de fixação ao cinto

Com o suporte de fixação ao cinto **(7)** pode pendurar a ferramenta elétrica, p. ex., num cinto. Desta forma terá ambas as mãos livres e a ferramenta elétrica estará sempre ao alcance.

Manutenção e assistência técnica

Manutenção e limpeza

- ▶ **Antes de qualquer trabalho na ferramenta elétrica (p. ex. manutenção, troca de ferramenta, etc.) retire a bateria da mesma.** Há perigo de ferimentos se o interruptor de ligar/desligar for acionado involuntariamente.

- ▶ **Manter a ferramenta elétrica e as aberturas de ventilação sempre limpas, para trabalhar bem e de forma segura.**

Serviço pós-venda e aconselhamento

O serviço pós-venda responde às suas perguntas a respeito de serviços de reparação e de manutenção do seu produto, assim como das peças sobressalentes. Desenhos explodidos e informações sobre peças sobressalentes encontram-se em: **www.bosch-pt.com**

A nossa equipa de consultores Bosch esclarece com prazer todas as suas dúvidas a respeito dos nossos produtos e acessórios.

Indique para todas as questões e encomendas de peças sobressalentes a referência de 10 dígitos de acordo com a placa de características do produto.

Brasil

Robert Bosch Ltda. – Divisão de Ferramentas Elétricas
Rodovia Anhanguera, Km 98 - Parque Via Norte
13065-900, CP 1195
Campinas, São Paulo
Tel.: 0800 7045 446
www.bosch.com.br/contato

Outros endereços de serviço encontram-se em:

www.bosch-pt.com/serviceaddresses

Transporte

As baterias de íons de lítio recomendadas estão sujeitas às leis de materiais perigosos. As baterias podem ser transportadas na rua pelo utilizador, sem mais obrigações.

No caso de envio por terceiros (por ex.: transporte aéreo ou expedição), devem ser observadas as especiais exigências quanto à embalagem e à designação. Neste caso é necessário consultar um especialista de materiais perigosos ao preparar a peça a ser trabalhada.

Baterias só devem ser transportadas se a carcaça estiver em perfeito estado. Colar contactos abertos e embalar a bateria de modo que não possa se movimentar dentro da embalagem. Respeite também outras disposições nacionais eventualmente existentes.

Eliminação



As ferramentas elétricas, as baterias, os acessórios e as embalagens devem ser enviados a uma reciclagem ecológica de matéria prima.



Não deitar ferramentas elétricas e baterias/pilhas no lixo doméstico!

Baterias/pilhas:

Lítio:

Observar as indicações no capítulo Transporte (ver "Transporte", Página 33).

Español

Indicaciones de seguridad

Indicaciones generales de seguridad para herramientas eléctricas

⚠ ADVERTENCIA Lea íntegramente las advertencias de peligro, las instrucciones, las ilustraciones y las especificaciones entregadas con esta herramienta eléctrica. En caso de no atenderse a las instrucciones siguientes, ello puede ocasionar una descarga eléctrica, un incendio y/o una lesión grave.

Guardar todas las advertencias de peligro e instrucciones para futuras consultas.

El término "herramienta eléctrica" empleado en las siguientes advertencias de peligro se refiere a herramientas eléctricas de conexión a la red (con cable de red) y a herramientas eléctricas accionadas por acumulador (sin cable de red).

Seguridad del puesto de trabajo

- ▶ **Mantenga el área de trabajo limpia y bien iluminada.** Las áreas desordenadas u oscuras pueden provocar accidentes.
- ▶ **No utilice herramientas eléctricas en un entorno con peligro de explosión, en el que se encuentren combustibles líquidos, gases o material en polvo.** Las herramientas eléctricas producen chispas que pueden llegar a inflamar los materiales en polvo o vapores.
- ▶ **Mantenga alejados a los niños y otras personas de su puesto de trabajo al emplear la herramienta eléctrica.** Una distracción le puede hacer perder el control sobre la herramienta eléctrica.

Seguridad eléctrica

- ▶ **El enchufe de la herramienta eléctrica debe corresponder a la toma de corriente utilizada. No es admisible modificar el enchufe en forma alguna. No emplear adaptadores en herramientas eléctricas dotadas con**

una toma de tierra. Los enchufes sin modificar adecuados a las respectivas tomas de corriente reducen el riesgo de una descarga eléctrica.

- ▶ **Evite que su cuerpo toque partes conectadas a tierra como tuberías, radiadores, cocinas y refrigeradores.** El riesgo a quedar expuesto a una sacudida eléctrica es mayor si su cuerpo tiene contacto con tierra.
 - ▶ **No exponga la herramienta eléctrica a la lluvia o a condiciones húmedas.** Existe el peligro de recibir una descarga eléctrica si penetran ciertos líquidos en la herramienta eléctrica.
 - ▶ **No abuse del cable de red. No utilice el cable de red para transportar o colgar la herramienta eléctrica, ni tire de él para sacar el enchufe de la toma de corriente. Mantenga el cable de red alejado del calor, aceite, esquinas cortantes o piezas móviles.** Los cables de red dañados o enredados pueden provocar una descarga eléctrica.
 - ▶ **Al trabajar con la herramienta eléctrica a la intemperie utilice solamente cables de prolongación apropiados para su uso al aire libre.** La utilización de un cable de prolongación adecuado para su uso en exteriores reduce el riesgo de una descarga eléctrica.
 - ▶ **Si fuese imprescindible utilizar la herramienta eléctrica en un entorno húmedo, es necesario conectarla a través de un dispositivo de corriente residual (RCD) de seguridad (fusible diferencial).** La aplicación de un fusible diferencial reduce el riesgo a exponerse a una descarga eléctrica.
- ### Seguridad de personas
- ▶ **Esté atento a lo que hace y emplee sentido común cuando utilice una herramienta eléctrica. No utilice la herramienta eléctrica si estuviese cansado, ni tampoco después de haber consumido drogas, alcohol o medicamentos.** El no estar atento durante el uso de la herramienta eléctrica puede provocarle serias lesiones.
 - ▶ **Utilice un equipo de protección personal. Utilice siempre una protección para los ojos.** El riesgo a lesionarse se reduce considerablemente si se utiliza un equipo de protección adecuado como una mascarilla antipolvo, zapatos de seguridad con suela antideslizante, casco, o protectores auditivos.
 - ▶ **Evite una puesta en marcha involuntaria. Asegurarse de que la herramienta eléctrica esté desconectada antes de conectarla a la toma de corriente y/o al montar el acumulador, al recogerla y al transportarla.** Si transporta la herramienta eléctrica sujetándola por el interruptor de conexión/desconexión, o si alimenta la herramienta eléctrica estando ésta conectada, ello puede dar lugar a un accidente.
 - ▶ **Retire las herramientas de ajuste o llaves fijas antes de conectar la herramienta eléctrica.** Una herramienta de ajuste o llave fija colocada en una pieza rotante puede producir lesiones al poner a funcionar la herramienta eléctrica.

- ▶ **Evite posturas arriesgadas. Trabaje sobre una base firme y mantenga el equilibrio en todo momento.** Ello le permitirá controlar mejor la herramienta eléctrica en caso de presentarse una situación inesperada.
- ▶ **Lleve puesta una vestimenta de trabajo adecuada. No utilice vestimenta amplia ni joyas. Mantenga su pelo y vestimenta alejados de las piezas móviles.** La vestimenta suelta, el pelo largo y las joyas se pueden enganchar con las piezas en movimiento.
- ▶ **Si se proporcionan dispositivos para la conexión de las instalaciones de extracción y recogida de polvo, asegúrese que éstos estén conectados y que sean utilizados correctamente.** El empleo de estos equipos reduce los riesgos derivados del polvo.
- ▶ **No permita que la familiaridad ganada por el uso frecuente de herramientas eléctricas lo deje caer en la complacencia e ignore las normas de seguridad de herramientas.** Una acción negligente puede causar lesiones graves en una fracción de segundo.

Uso y trato cuidadoso de herramientas eléctricas

- ▶ **No sobrecargue la herramienta eléctrica. Utilice la herramienta eléctrica adecuada para su aplicación.** Con la herramienta eléctrica adecuada podrá trabajar mejor y más seguro dentro del margen de potencia indicado.
- ▶ **No utilice la herramienta eléctrica si el interruptor está defectuoso.** Las herramientas eléctricas que no se puedan conectar o desconectar son peligrosas y deben hacerse reparar.
- ▶ **Saque el enchufe de la red y/o retire el acumulador desmontable de la herramienta eléctrica, antes de realizar un ajuste, cambiar de accesorio o al guardar la herramienta eléctrica.** Esta medida preventiva reduce el riesgo a conectar accidentalmente la herramienta eléctrica.
- ▶ **Guarde las herramientas eléctricas fuera del alcance de los niños. No permita la utilización de la herramienta eléctrica a aquellas personas que no estén familiarizadas con su uso o que no hayan leído estas instrucciones.** Las herramientas eléctricas utilizadas por personas inexpertas son peligrosas.
- ▶ **Cuide las herramientas eléctricas y los accesorios. Controle la alineación de las piezas móviles, rotura de piezas y cualquier otra condición que pudiera afectar el funcionamiento de la herramienta eléctrica. En caso de daño, la herramienta eléctrica debe repararse antes de su uso.** Muchos de los accidentes se deben a herramientas eléctricas con un mantenimiento deficiente.
- ▶ **Mantenga los útiles limpios y afilados.** Los útiles mantenidos correctamente se dejan guiar y controlar mejor.
- ▶ **Utilice la herramienta eléctrica, los accesorios, los útiles, etc. de acuerdo a estas instrucciones, considerando en ello las condiciones de trabajo y la tarea a realizar.** El uso de herramientas eléctricas para trabajos diferentes de aquellos para los que han sido concebidas puede resultar peligroso.

- ▶ **Mantenga las empuñaduras y las superficies de las empuñaduras secas, limpias y libres de aceite y grasa.** Las empuñaduras y las superficies de las empuñaduras resbaladizas no permiten un manejo y control seguro de la herramienta eléctrica en situaciones imprevistas.

Trato y uso cuidadoso de herramientas accionadas por acumulador

- ▶ **Solamente recargar los acumuladores con los cargadores especificados por el fabricante.** Existe un riesgo de incendio al intentar cargar acumuladores de un tipo diferente al previsto para el cargador.
- ▶ **Utilice las herramientas eléctricas sólo con los acumuladores específicamente designados.** El uso de otro tipo de acumuladores puede provocar daños e incluso un incendio.
- ▶ **Si no utiliza el acumulador, guárdelo separado de objetos metálicos, como clips de papel, monedas, llaves, clavos, tornillos u otros objetos metálicos pequeños que pudieran puentear sus contactos.** El cortocircuito de los contactos del acumulador puede causar quemaduras o un incendio.
- ▶ **La utilización inadecuada del acumulador puede provocar fugas de líquido. Evite el contacto con él. En caso de un contacto accidental, enjuagar el área afectada con abundante agua. En caso de un contacto con los ojos, recurra además inmediatamente a ayuda médica.** El líquido del acumulador puede irritar la piel o producir quemaduras.
- ▶ **No emplee acumuladores o útiles dañados o modificados.** Los acumuladores dañados o modificados pueden comportarse en forma imprevisible y producir un fuego, explosión o peligro de lesión.
- ▶ **No exponga un paquete de baterías o una herramienta eléctrica al fuego o a una temperatura demasiado alta.** La exposición al fuego o a temperaturas sobre 130 °C puede causar una explosión.
- ▶ **Siga todas las instrucciones para la carga y no cargue nunca el acumulador o la herramienta eléctrica a una temperatura fuera del margen correspondiente especificado en las instrucciones.** Una carga inadecuada o a temperaturas fuera del margen especificado puede dañar el acumulador y aumentar el riesgo de incendio.

Servicio

- ▶ **Únicamente deje reparar su herramienta eléctrica por un experto cualificado, empleando exclusivamente piezas de repuesto originales.** Solamente así se mantiene la seguridad de la herramienta eléctrica.
- ▶ **No repare los acumuladores dañados.** El mantenimiento de los acumuladores sólo debe ser realizado por el fabricante o un servicio técnico autorizado.

Indicaciones de seguridad para atornilladoras

Instrucciones de seguridad para todas las operaciones

- ▶ **Sujete la herramienta eléctrica por las superficies de agarre aisladas al realizar trabajos en los que el acce-**

sorio de corte o el portaútiles pueda entrar en contacto con conductores eléctricos ocultos. En el caso del contacto del accesorio de corte o portaútiles con conductores "bajo tensión", las partes metálicas expuestas de la herramienta eléctrica pueden quedar "bajo tensión" y dar al operador una descarga eléctrica.

Instrucciones de seguridad en el caso de utilizar brocas largas

- ▶ **Nunca opere a mayor velocidad que la velocidad máxima de la broca (bit).** A velocidades más altas, el bit se puede doblar si se le permite rotar sin tocar la pieza de trabajo, originando lesiones personales.
- ▶ **Siempre comience a taladrar a baja velocidad y con la punta del bit en contacto con la pieza de trabajo.** A velocidades más altas, el bit se puede doblar si se le permite rotar sin tocar la pieza de trabajo, originando lesiones personales.
- ▶ **Aplique presión sólo en línea directa con el bit y no aplique presión excesiva.** Los bits pueden doblarse y causar roturas o pérdida de control, originando lesiones personales.

Indicaciones de seguridad adicionales

- ▶ **Asegure la pieza de trabajo.** Una pieza de trabajo fijada con unos dispositivos de sujeción, o en un tornillo de banco, se mantiene sujeta de forma mucho más segura que con la mano.
- ▶ **Espera a que se haya detenido la herramienta eléctrica antes de depositarla.** El útil puede engancharse y hacerle perder el control sobre la herramienta eléctrica.
- ▶ **Desconecte inmediatamente la herramienta eléctrica en caso de bloquearse el útil. Esté preparado para los momentos de alta reacción que causa un contragolpe.** El útil se bloquea, si se sobrecarga la herramienta eléctrica o se ladea en la pieza de trabajo a labrar.
- ▶ **Utilice unos aparatos de exploración adecuados para detectar conductores o tuberías ocultas, o consulte a sus compañías abastecedoras.** El contacto con conductores eléctricos puede provocar un incendio o una electrocución. Al dañar una tubería de gas puede producirse una explosión. La perforación de una tubería de agua puede causar daños materiales.
- ▶ **Sostenga firmemente la herramienta eléctrica.** Al apretar y aflojar tornillos, pueden presentarse pares de reacción momentáneos.
- ▶ **En caso de daño y uso inapropiado del acumulador pueden emanar vapores. El acumulador se puede quemar o explotar.** En tal caso, busque un entorno con aire fresco y acuda a un médico si nota molestias. Los vapores pueden llegar a irritar las vías respiratorias.
- ▶ **No modifique ni abra el acumulador.** Podría provocar un cortocircuito.
- ▶ **Mediante objetos puntiagudos, como p. ej. clavos o destornilladores, o por influjo de fuerza exterior se puede dañar el acumulador.** Se puede generar un cortocircuito interno y el acumulador puede arder, humear, explotar o sobrecalentarse.

- ▶ **Utilice el acumulador sólo en productos del fabricante.** Solamente así queda protegido el acumulador contra una sobrecarga peligrosa.



Proteja la batería del calor excesivo, además de, p. ej., una exposición prolongada al sol, la suciedad, el fuego, el agua o la humedad. Existe riesgo de explosión y cortocircuito.



- ▶ **¡Cuidado! El uso de la herramienta eléctrica con Bluetooth® puede provocar anomalías en otros aparatos y equipos, en aviones y en aparatos médicos (p. ej. marcapasos, audífonos, etc.). Tampoco puede descartarse por completo el riesgo de daños en personas y animales que se encuentren en un perímetro cercano. No utilice la herramienta eléctrica con Bluetooth® cerca de aparatos médicos, gasolineras, instalaciones químicas, zonas con riesgo de explosión ni en zonas con atmósfera potencialmente explosiva. No utilice tampoco la herramienta eléctrica con Bluetooth® a bordo de aviones. Evite el uso prolongado de este aparato en contacto directo con el cuerpo.**

La marca de palabra *Bluetooth®* como también los símbolos (logotipos) son marcas registradas y propiedad de Bluetooth SIG, Inc. Cada utilización de esta marca de palabra/símbolo por Robert Bosch Power Tools GmbH tiene lugar bajo licencia.



ADVERTENCIA



Asegúrese, que la pila en forma de botón no llegue a las manos de niños. Las pilas en forma de botón son peligrosas.

- ▶ **Las pilas en forma de botón nunca deben tragarse ni introducirse en otros orificios corporales. Si existe la sospecha, que la pila en forma de botón se ha tragado o se ha introducido en otra abertura corporal, busque inmediatamente una atención médica.** La ingestión de una pila en forma de botón puede causar dentro de 2 horas serias causticaciones internas y la muerte.
- ▶ **En el cambio de la pila en forma de botón, preste atención a una sustitución correcta de la pila en forma de botón.** Existe el riesgo de explosión.
- ▶ **Utilice solamente las pilas en forma de botón nombradas en estas instrucciones de servicio.** No utilice otras pilas en forma de botón u otra alimentación de energía.
- ▶ **No intente recargar de nuevo las pilas en forma de botón y no cortocircuite la pila en forma de botón.** La pila en forma de botón puede tener fugas, explotar, quemarse o herir a personas.
- ▶ **Retire y deseche las pilas en forma de botón debidamente.** Las pilas en forma de botón descargadas pueden tener fugas y por ello dañar el producto o lesionar personas.

- ▶ **No deje que se sobrecaliente la pila en forma de botón y no la tire al fuego.** La pila en forma de botón puede tener fugas, explotar, quemarse o herir a personas.
- ▶ **No dañe la pila en forma de botón y no despiece la pila en forma de botón.** La pila en forma de botón puede tener fugas, explotar, quemarse o herir a personas.
- ▶ **Procure que una pila en forma de botón dañada no entre en contacto con el agua.** El litio derramado en contacto con agua puede generar hidrógeno y por lo tanto dar lugar a un incendio, una explosión o lesiones de personas.

Descripción del producto y servicio



Lea íntegramente estas indicaciones de seguridad e instrucciones. Las faltas de observación de las indicaciones de seguridad y de las instrucciones pueden causar descargas eléctricas, incendios y/o lesiones graves.

Por favor, observe las ilustraciones en la parte inicial de las instrucciones de servicio.

Utilización reglamentaria

La herramienta eléctrica está destinada para enroscar y soltar tornillos así como para taladrar en madera, metal y plástico.

La herramienta eléctrica se puede utilizar con un suplemento de ángulo recto (GFA 18-W), suplemento de ángulo recto con portabrocas de metal (GFA 18-WM), suplemento excéntrico (GFA 18-E), suplemento portabrocas (GFA 18-B), suplemento portabrocas de metal (GFA 18-M) o suplemento de taladro percutor (GFA 18-H).

Los datos y las configuraciones de la herramienta eléctrica se pueden transmitir con el módulo *Bluetooth*® Low Energy Module **GCY 42 / GCY 42 NC** colocado, mediante la tecnología de radiocomunicación *Bluetooth*®, entre la herramienta eléctrica y un aparato móvil final.

Componentes principales

La numeración de los componentes representados se refiere a la imagen de la herramienta eléctrica en la página ilustrada.

Datos técnicos

Atornilladora taladradora accionada por acumulador		GSR 18V-90 FC	GFA 18-M	GFA 18-W	GFA 18-E	GFA 18-WM
Número de artículo		3 601 JK6 2..	-	-	-	-
Tensión nominal	V=	18	-	-	-	-
Velocidad de giro en vacío ^{A)}						
- 1.a velocidad	min ⁻¹	0-630	-	-	-	-
- 2.a velocidad	min ⁻¹	0-2100	-	-	-	-
Máx. par de giro (blando) ^{A)}	Nm	36	-	-	-	-
Máx. par de giro (duro) ^{A)}	Nm	64	-	-	-	-
Ø máx. de perforación						
- Madera	mm	68	-	-	-	-
- Acero	mm	13	-	-	-	-

- (1) Portaherramientas
- (2) Casquillo de enclavamiento
- (3) Anillo de ajuste para preselección del par
- (4) Selector de velocidad
- (5) Cubierta del módulo Bluetooth® Low Energy Module **GCY 42 / GCY 42 NC**
- (6) Portapuntas recambiables^{a)}
- (7) Clip de sujeción al cinturón^{a)}
- (8) Acumulador^{a)}
- (9) Tecla de desenclavamiento del acumulador^{a)}
- (10) Interfaz de usuario
- (11) Selector de sentido de giro
- (12) Interruptor de conexión/desconexión
- (13) Empuñadura (superficie de empuñadura aislada)
- (14) Suplemento portabrocas de metal GFA 18-M^{a)}
- (15) Suplemento portabrocas GFA 18-B^{a)}
- (16) Suplemento de ángulo recto GFA 18-W^{a)}
- (17) Suplemento excéntrico GFA 18-E^{a)}
- (18) Suplemento de ángulo recto con portabrocas de metal GFA 18-WM^{a)}
- (19) Suplemento de taladro percutor GFA 18-H^{a)}
- (20) Anillo de fijación^{a)}

Interfaz de usuario

- (21) Indicador de estado de herramienta eléctrica
 - (22) LED para KickBack Control
 - (23) Tecla para KickBack Control
 - (24) Luz de trabajo (LED)
 - (25) Tecla para acoplamiento de precisión
 - (26) LED para acoplamiento de precisión
- a) **Estos accesorios no corresponden al material que se adjunta de serie.**

Atornilladora taladradora accionada por acumulador		GSR 18V-90 FC	GFA 18-M	GFA 18-W	GFA 18-E	GFA 18-WM
– Hormigón	mm	10	–	–	–	–
Ø máx. de tornillos	mm	12	–	–	–	–
Portaherramientas	mm	6,35 Hexágono interior de ¼"	1,5–13	6,35 Hexágono interior de ¼"	6,35 Hexágono interior de ¼"	1,5–13
Peso ^{B)}	kg	1,3–2,3 ^{C)}	0,38	0,44	0,44	0,66
Temperatura ambiente recomendada durante la carga	°C	0 ... +35				
Temperatura ambiente permitida durante el funcionamiento y en el almacenamiento	°C	–20 ... +50				
Acumuladores recomendados		GBA 18V... ProCORE18V...	–	–	–	–
Cargadores recomendados		GAL 18... GAX 18... GAL 36...	–	–	–	–

A) Medido a 20–25 °C con acumulador **GBA 18V 5.0Ah**.

B) según el acumulador utilizado

C) Medido con **GBA 18V 1.5Ah** y **GBA 18V 12.0Ah**.

Los valores pueden variar dependiendo del producto y están sujetos a la aplicación y a las condiciones medioambientales. Más información en www.bosch-professional.com/wac.

Informaciones sobre ruidos/vibraciones

		GSR 18V-90 FC	GFA 18-M	GFA 18-W	GFA 18-E	GFA 18-WM
--	--	---------------	----------	----------	----------	-----------

Valores de emisión de ruido determinados según **EN 62841-2-1** para **GFA 18-M, GFA 18-WM**.

Valores de emisión de ruido determinados según **EN 62841-2-2** para **GSR 18V-90 FC, GFA 18-W, GFA 18-E**.

El nivel de ruido valorado con A de la herramienta eléctrica asciende típicamente a

Nivel de presión acústica	dB(A)	77,5	78	78,5	78,5	79
	dB(A)	85,5	86	86,5	86,5	87
Nivel de potencia acústica	dB	3	5	3	3	5
Inseguridad K						
¡Utilice protección para los oídos!						

Valores totales de vibraciones a_h (suma de vectores de tres direcciones) e inseguridad K determinados según **EN 62841-2-1** para **GFA 18-M, GFA 18-WM**:

Valores totales de vibraciones a_h (suma de vectores de tres direcciones) e inseguridad K determinados según **EN 62841-2-2** para **GSR 18V-90 FC, GFA 18-W, GFA 18-E**:

Taladrado en metal:

a_h	m/s^2	–	< 2,5	–	–	< 2,5
K	m/s^2	–	1,5	–	–	1,5
Atornillado:						
a_h	m/s^2	< 2,5	–	< 2,5	< 2,5	–
K	m/s^2	1,5	–	1,5	1,5	–

El nivel de vibraciones y el valor de emisiones de ruidos indicados en estas instrucciones han sido determinados según un procedimiento de medición normalizado y pueden servir

como base de comparación con otras herramientas eléctricas. También son adecuados para estimar provisionalmente la emisión de vibraciones y ruidos.

El nivel de vibraciones y el valor de emisiones de ruidos indicados han sido determinados para las aplicaciones principales de la herramienta eléctrica. Por ello, el nivel de vibraciones y el valor de emisiones de ruidos pueden ser diferentes si la herramienta eléctrica se utiliza para otras aplicaciones, con útiles diferentes, o si el mantenimiento de la misma fue deficiente. Ello puede suponer un aumento drástico de la emisión de vibraciones y de ruidos durante el tiempo total de trabajo.

Para determinar con exactitud las emisiones de vibraciones y de ruidos, es necesario considerar también aquellos tiempos en los que el aparato esté desconectado, o bien, esté en funcionamiento, pero sin ser utilizado realmente. Ello puede suponer una disminución drástica de las emisiones de vibraciones y de ruidos durante el tiempo total de trabajo.

Fije unas medidas de seguridad adicionales para proteger al usuario de los efectos por vibraciones, como por ejemplo: Mantenimiento de la herramienta eléctrica y de los útiles, conservar calientes las manos, organización de las secuencias de trabajo.

Acumulador

Bosch también vende herramientas eléctricas accionadas por acumulador sin acumulador. En el embalaje puede ver si un acumulador está incluido en el volumen de suministro de su herramienta eléctrica.

Carga del acumulador

► **Utilice únicamente los cargadores que se enumeran en los datos técnicos.** Solamente estos cargadores han sido especialmente adaptados a los acumuladores de iones de litio empleados en su herramienta eléctrica.

Indicación: Los acumuladores de iones de litio se entregan parcialmente cargados debido a la normativa de transporte internacional. Con el fin de obtener la plena potencia del acumulador, cargue completamente el acumulador antes de su primer uso.

Montaje del acumulador

Desplace el acumulador cargado en el alojamiento del acumulador, hasta que encastre perceptible.

Desmontaje del acumulador


Para la extracción del acumulador, presione la tecla de desenclavamiento y retire el acumulador. **No proceda con brusquedad.**

El acumulador dispone de 2 etapas de enclavamiento para evitar que se salga en el caso de un accionamiento accidental de la tecla de desenclavamiento del acumulador. Mientras la batería esté montada en la herramienta eléctrica, permanecerá retenida en su posición mediante un resorte.

Indicador del estado de carga del acumulador

Indicación: No cada tipo de acumulador dispone de un indicador de estado de carga.

Los LEDs verdes del indicador del estado de carga del acumulador indican el estado de carga del acumulador. Por motivos de seguridad, la consulta del estado de carga es solo posible con la herramienta eléctrica parada.

Presione la tecla del indicador de estado de carga , para indicar el estado de carga. Esto también es posible con el acumulador desmontado.

Si tras presionar la tecla del indicador de estado de carga no se enciende ningún LED, significa que el acumulador está defectuoso y debe sustituirse.

El estado de carga del acumulador también se indica en la interfaz de usuario (ver "Indicadores de estado", Página 41).

Tipo de acumulador GBA 18V...



Diodo luminoso (LED)	Capacidad
Luz permanente 3 × verde	60–100 %
Luz permanente 2 × verde	30–60 %
Luz permanente 1 × verde	5–30 %
Luz intermitente 1 × verde	0–5 %

Tipo de acumulador ProCORE18V...



Diodo luminoso (LED)	Capacidad
Luz permanente 5 × verde	80–100 %
Luz permanente 4 × verde	60–80 %
Luz permanente 3 × verde	40–60 %
Luz permanente 2 × verde	20–40 %
Luz permanente 1 × verde	5–20 %
Luz intermitente 1 × verde	0–5 %

Indicaciones para el trato óptimo del acumulador

Proteja el acumulador de la humedad y del agua.

Únicamente almacene el acumulador en el margen de temperatura desde -20 °C hasta 50 °C. P.ej., no deje el acumulador en el coche en verano.

Limpie de vez en cuando las rejillas de refrigeración del acumulador con un pincel suave, limpio y seco.

Si después de una recarga, el tiempo de funcionamiento del acumulador fuese muy reducido, ello es señal de que éste está agotado y deberá sustituirse.

Observe las indicaciones referentes a la eliminación.

Montaje

► **Antes de realizar cualquier trabajo en la herramienta eléctrica (p. ej., mantenimiento, cambio de herramienta, etc.), retire el acumulador de la herramienta eléctrica.** En caso contrario podría accidentarse al accionar fortuitamente el interruptor de conexión/desconexión.

Colocar el módulo *Bluetooth*[®] Low Energy Module GCY 42 / GCY 42 NC

Lea las correspondientes instrucciones de servicio respecto a las informaciones del módulo *Bluetooth*[®] Low Energy Module GCY 42 / GCY 42 NC.

Cambio de útil

Colocar el útil (ver figura A)

Deslice el casquillo de enclavamiento (2) hacia detrás e inserte girando el útil en el alojamiento (1). Suelte de nuevo el casquillo de enclavamiento (2), para fijar el útil

Retirar el útil

Deslice el casquillo de enclavamiento (2) hacia detrás y retire el útil del alojamiento (1).

Montaje del suplemento (ver figura B)

Retire el útil.

Introduzca el suplemento en el alojamiento (1). Gire el anillo de fijación (20), hasta que encastre de forma audible.

Colocar el útil en el suplemento

GFA 18-E/GFA 18-W (ver figura C):

Deslice el casquillo de enclavamiento (2) hacia detrás e inserte girando el útil en el alojamiento (1). Suelte de nuevo el casquillo de enclavamiento (2), para fijar el útil

GFA 18-M/GFA 18-B/GFA 18-WM (ver figura D):

Abra el suplemento portabrocas girándolo en el sentido de giro ⚙, hasta que se pueda colocar el útil. Coloque el útil. Gire vigorosamente el manguito del suplemento portabrocas en sentido de giro ⚙ con la mano. El portabrocas se bloquea así automáticamente.

Girar el suplemento (GFA 18-W, GFA 18-E, GFA 18-WM) (ver figura E)

Tire del suplemento hacia delante. Gire el suplemento a la posición deseada y suéltelo a continuación para bloquearlo. El suplemento se encaja en 16 posiciones distribuidas en 360 grados.

Desmontar el suplemento (ver figura F)

Retire el útil.

Desenclave el suplemento en dirección ↶ y retírelo del alojamiento (1).

Aspiración de polvo y virutas

El polvo de ciertos materiales como, pinturas que contengan plomo, ciertos tipos de madera y algunos minerales y metales, puede ser nocivo para la salud. El contacto y la inspiración de estos polvos pueden provocar en el usuario o en las personas circundantes reacciones alérgicas y/o enfermedades respiratorias.

Ciertos polvos como los de roble, encina y haya son considerados como cancerígenos, especialmente en combinación con los aditivos para el tratamiento de la madera (cromatos, conservantes de la madera). Los materiales que contengan amianto solamente deberán ser procesados por especialistas.

- Observe que esté bien ventilado el puesto de trabajo.
- Se recomienda una mascarilla protectora con un filtro de la clase P2.

Observe las prescripciones vigentes en su país sobre los materiales a trabajar.

- ▶ **Evite acumulaciones de polvo en el puesto de trabajo.** Los materiales en polvo se pueden inflamar fácilmente.

Operación

Puesta en marcha

Ajustar el sentido de giro (ver figura H)

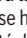
- ▶ **Accione el selector de sentido de giro (11) sólo con la herramienta eléctrica en reposo.**

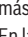
Con el selector de sentido de giro (11) puede modificar el sentido de giro de la herramienta eléctrica. Sin embargo, esto no es posible con el interruptor de conexión/desconexión (12) presionado.


Rotación a la derecha: Para taladrar y enroscar tornillos, presione el selector de sentido de giro (11) hacia la izquierda hasta el tope.

Giro a la izquierda: Para soltar o desenroscar tornillos y tuercas presione el selector de sentido de giro (11) hacia la derecha, hasta el tope.

Preselección del par de giro

Con el anillo de ajuste para preselección de par (3) puede preseleccionar el par de giro necesario en 20 escalones. En el caso de un ajuste correcto, la herramienta eléctrica se para tan pronto se ha enroscado a ras el tornillo en el material se ha alcanzado el par de giro ajustado. En la posición  está desactivado el acoplamiento tipo carraca, p. ej. para taladrar.

Al desenroscar tornillos, seleccione eventualmente un ajuste más elevado o elija la posición del símbolo .

En la posición  se alcanza el par máximo para taladrar y atornillar.

Selector de velocidad mecánico

- ▶ **Accione el selector de velocidad (4) sólo con la herramienta eléctrica en reposo.**
- ▶ **Siempre empuje hasta el tope el selector de velocidad.** En caso contrario podría dañarse la herramienta eléctrica.

Con el selector de velocidad (4) se pueden preseleccionar 2 márgenes de revoluciones.

Posición del selector de velocidades (4)	Revoluciones	Par de apriete	Campo de aplicación
1	Baja	Alto	Para aplicaciones pesadas: p. ej., taladrado y atornillado con diámetros grandes

Posición del selector de velocidades (4)	Revoluciones	Par de apriete	Campo de aplicación
2	Alto	Baja	Para aplicaciones livianas: p. ej., taladrado y atornillado con diámetros pequeños

Ajuste del modo de operación



Taladrado

Coloque el anillo de ajuste de la preselección de par de giro (3) en el símbolo "Taladrado" para conseguir el par máximo para taladrar y atornillar.



Atornillado

Coloque el anillo de ajuste de la preselección del par de giro (3) al escalón de par de giro deseado.

Conexión/desconexión

Para la **puesta en marcha** de la herramienta eléctrica, accionar y mantener en esa posición el interruptor de conexión/desconexión (12).

La luz de trabajo (24) se enciende con el interruptor de conexión/desconexión (12) leve o totalmente oprimido y posibilita la iluminación de la zona de trabajo con condiciones de luz desfavorables.

Ajuste de las revoluciones

El número de revoluciones de la herramienta eléctrica conectada lo puede regular de modo continuo, según la presión ejercida sobre el interruptor de conexión/desconexión (12).

Una leve presión sobre el interruptor de conexión/desconexión (12) origina un número de revoluciones bajo. Incrementando paulatinamente la presión van aumentando las revoluciones en igual medida.

Protección contra sobrecarga térmica

La herramienta eléctrica no puede sobrecargarse si se realiza un uso apropiado y conforme a lo prescrito. En el caso de una carga pronunciada o al abandonar el margen admisible de temperatura de servicio, se reduce el número de revoluciones o se desconecta la herramienta eléctrica. La herramienta eléctrica funciona de nuevo con pleno número de revoluciones recién tras alcanzar la temperatura de servicio admisible.

La protección contra sobrecarga en función de la temperatura se indica mediante una iluminación roja del LED en la herramienta eléctrica.

Indicadores de estado

Indicador de estado de herramienta eléctrica	Significado/causa	Solución
Verde	Estado OK	-

- Para volver al margen admisible de temperatura de servicio, haga funcionar la herramienta eléctrica al ralentí o espere hasta que el LED se ilumine de nuevo en verde.

Si el LED se ilumina en verde, el aparato ha alcanzado de nuevo el margen admisible de temperatura de servicio.

Interfaz del usuario (ver figura I)

La interfaz de usuario (10) sirve para la activación y la desactivación del acoplamiento de precisión "Precision Clutch" y la desconexión rápida "KickBack Control", así como para la indicación del estado de la herramienta eléctrica.

Acoplamiento de precisión (Precision Clutch)



El acoplamiento de precisión detiene el deslizamiento tipo carraca cuando se alcanza un par ajustado, reduciendo el desgaste del acoplamiento y el ruido resultante.

El acoplamiento de precisión se puede desactivar en la interfaz de usuario (10) con la tecla para acoplamiento de precisión (25). El estado actual se visualiza a través del LED para acoplamiento de precisión (26) en la interfaz de usuario (10).

Desconexión rápida (KickBack Control)



La desconexión rápida (KickBack Control) ofrece un mejor control sobre la herramienta eléctrica y aumenta así la protección del usuario, en comparación a las herramientas eléctricas sin KickBack Control. En caso de una repentina e imprevisible rotación de la herramienta eléctrica alrededor del eje de la broca, se desconecta la herramienta eléctrica.

La desconexión rápida se indica mediante un parpadeo rojo del LED (21), un parpadeo de la luz de trabajo (24) así como una iluminación roja del LED para KickBack Control (22) en la herramienta eléctrica.

Para la **nueva puesta en servicio** suelte el interruptor de conexión/desconexión y accíonelo de nuevo.

- **Si la función KickBack Control está defectuosa, ya no se deja conectar la herramienta eléctrica. Únicamente haga reparar su herramienta eléctrica por un profesional calificado, empleando exclusivamente piezas de repuesto originales.**

La desconexión rápida se puede desactivar en la interfaz de usuario (10) con la tecla para KickBack Control (23). Si no se utiliza la herramienta eléctrica durante más de 5 minutos o si se retira el acumulador, se vuelve a activar automáticamente la función de desconexión rápida. El estado actual se visualiza a través del LED para KickBack Control (22) en la interfaz de usuario (10).

- **Indicación: ¡La luz de advertencia de los LEDs no es visible desde todas las direcciones! La luz de advertencia es difícil de reconocer con una luz solar intensa.**

Indicador de estado de herramienta eléctrica	Significado/causa	Solución
Amarillo	Se ha alcanzado la temperatura crítica, el acumulador está casi vacío o el KickBack Control está desconectado	Deje funcionar y enfriar la herramienta eléctrica al ralentí, cambie resp. cargue pronto el acumulador o pulse la tecla KickBack Control
Rojo encendido	La herramienta eléctrica está sobrecalentada o el acumulador está vacío	Deje enfriar la herramienta eléctrica o cambie resp. cargue el acumulador
Rojo parpadeante	La desconexión rápida se ha activado	Desconecte y vuelva a conectar la herramienta eléctrica
Azul parpadeante	La herramienta eléctrica está conectada con el aparato final portátil o la configuración se está transmitiendo	–

Funciones de conectividad

En combinación con el módulo *Bluetooth*® Low Energy Module **GCY 42 / GCY 42 NC** están a disposición las siguientes funciones de conectividad para la herramienta eléctrica:

- Registro y personalización
- Comprobación de estado, emisión de mensaje de advertencia
- Información general
- Administración
- Conexión/desconexión de la luz de trabajo
- Ajuste de la luminosidad de la luz de trabajo y del tiempo de posiluminación
- Ajuste de la luminosidad de la interfaz de usuario y del tiempo de posiluminación

Lea las correspondientes instrucciones de servicio respecto a las informaciones del módulo *Bluetooth*® Low Energy Module **GCY 42 / GCY 42 NC**.

Instrucciones para la operación

- ▶ **La herramienta eléctrica con el módulo *Bluetooth*® Low Energy Module GCY 42 / GCY 42 NC montado (accesorio), está equipado con una radiointerfaz. Observar las limitaciones locales de servicio, p. ej. en aviones o hospitales.**
- ▶ **Solamente aplique la herramienta eléctrica desconectada en la tuerca o tornillo.** Los útiles en rotación pueden resbalar.

Clip de sujeción al cinturón

El clip de cinturón (7) le permite enganchar la herramienta eléctrica, p. ej., a un cinturón. De esta manera le quedan libres ambas manos y tiene siempre accesible la herramienta eléctrica.

Mantenimiento y servicio

Mantenimiento y limpieza

- ▶ **Antes de realizar cualquier trabajo en la herramienta eléctrica (p. ej., mantenimiento, cambio de herramienta, etc.), retire el acumulador de la herramienta eléctrica.** En caso contrario podría accidentarse al accio-

nar fortuitamente el interruptor de conexión/desconexión.

- ▶ **Siempre mantenga limpias la herramienta eléctrica y las rejillas de ventilación para trabajar con eficacia y fiabilidad.**

Servicio técnico y atención al cliente

El servicio técnico le asesorará en las consultas que pueda Ud. tener sobre la reparación y mantenimiento de su producto, así como sobre piezas de recambio. Los dibujos de despiece e informaciones sobre las piezas de recambio los podrá obtener también en: **www.bosch-pt.com**
Nuestro equipo de asesores técnicos le orientará gustosamente en cuanto a la adquisición, aplicación y ajuste de los productos y accesorios.

Para cualquier consulta o pedido de piezas de repuesto es imprescindible indicar el nº de artículo de 10 dígitos que figura en la placa de características del producto.

México

Robert Bosch, S. de R.L. de C.V.
Calle Robert Bosch No. 405
C.P. 50071 Zona Industrial, Toluca – Estado de México
Tel.: (52) 55 528430-62
Tel.: 800 6271286
www.boschherramientas.com.mx

Encontrará más direcciones del servicio técnico en:

www.bosch-pt.com/serviceaddresses

Transporte

Los acumuladores de iones de litio recomendados están sujetos a los requerimientos estipulados en la legislación sobre mercancías peligrosas. Los acumuladores pueden ser transportados por carretera por el usuario sin más imposiciones. En el caso de un envío por terceros (p. ej., transporte aéreo o agencia de transportes) deberán considerarse las exigencias especiales en cuanto a su embalaje e identificación. En ese caso deberá recurrirse a un experto en mercancías peligrosas al preparar la pieza para su envío.
Únicamente envíe acumuladores si su carcasa no está dañada. Si los contactos no van protegidos cúbralos con cinta adhesiva y embale el acumulador de manera que éste no se

pueda mover dentro del embalaje. Observe también la normativa nacional aplicable.

Eliminación



Las herramientas eléctricas, acumuladores, accesorios y embalajes deberán someterse a un proceso de recuperación que respete el medio ambiente.



¡No arroje las herramientas eléctricas, acumuladores o pilas a la basura!

Acumuladores/pilas:

Iones de Litio:

Por favor, observe las indicaciones en el apartado Transporte (ver "Transporte", Página 42).

Informaciones adicionales para México

La operación de este equipo está sujeta a las siguientes dos condiciones

1. Es posible que este equipo o dispositivo no cause interferencia perjudicial.
2. Este equipo o dispositivo debe aceptar cualquier interferencia. Incluyendo la que pueda causar su operación no deseada.

NOM

El símbolo es solamente válido, si también se encuentra sobre la placa de características del producto/fabricado.

Português do Brasil

Indicações de segurança

Instruções gerais de segurança para ferramentas elétricas

AVISO

Leia todas as indicações de segurança, instruções, ilustrações

e especificações fornecidas com esta ferramenta elétrica. O desrespeito das instruções apresentadas abaixo poderá resultar em choque elétrico, incêndio e/ou ferimentos graves.

Guarde todas as advertências e instruções para futura referência.

O termo "ferramenta elétrica" em todos os avisos listados abaixo referem-se a ferramenta alimentada através de seu cordão de alimentação ou a ferramenta operada a bateria (sem cordão).

Segurança da área de trabalho

- ▶ **Mantenha a área de trabalho limpa e bem iluminada.** As áreas de trabalho desarrumadas ou escuras podem levar a acidentes.
- ▶ **Não opere as ferramentas elétricas em atmosferas explosivas, ou seja, na presença de líquidos, gases ou pós inflamáveis.** As ferramentas criam faíscas que podem inflamar a poeira ou os vapores.
- ▶ **Mantenha as crianças e outras pessoas afastadas da ferramenta elétrica durante o uso.** As distrações podem resultar na perda do controle.

Segurança elétrica

- ▶ **Os plugues da ferramenta devem ser compatíveis com as tomadas. Nunca modifique o plugue. Não use plugues de adaptador com ferramentas aterradas.** Os plugues sem modificações aliados a utilização de tomadas compatíveis reduzem o risco de choque elétrico.
- ▶ **Evite o contato do corpo com superfícies aterradas, como tubos, aquecedores, fogões e geladeiras.** Há um risco elevado de choque elétrico se seu corpo estiver aterrado.
- ▶ **Mantenha as ferramentas elétricas afastadas da chuva ou umidade.** A entrada de água em uma ferramenta elétrica aumenta o risco de choque elétrico.
- ▶ **Não use o cabo para outras finalidades. Jamais use o cabo para transportar, puxar ou desconectar a ferramenta elétrica. Mantenha o cabo afastado do calor, do óleo, de arestas afiadas ou de partes móveis.** Os cabos danificados ou emaranhados aumentam o risco de um choque elétrico.
- ▶ **Ao operar uma ferramenta elétrica ao ar livre, use um cabo de extensão adequado para áreas exteriores.** O uso de um cabo de extensão apropriado para áreas exteriores reduz o risco de choque elétrico.
- ▶ **Se não for possível evitar o funcionamento da ferramenta elétrica em áreas úmidas, utilizar uma alimentação protegida por um dispositivo de corrente diferencial residual (DR).** O uso de um DR reduz o risco de um choque elétrico.

Segurança pessoal

- ▶ **Fique atento, olhe o que está fazendo e use o bom senso ao operar uma ferramenta. Não use uma ferramenta elétrica quando estiver cansado ou sob a influência de drogas, álcool ou medicamentos.** Um momento de desatenção enquanto opera uma ferramenta pode resultar em graves ferimento pessoal.
- ▶ **Use equipamento de proteção individual. Use sempre óculos de proteção.** O uso de equipamento de proteção individual, como máscara de proteção contra poeira, sapatos de segurança antiderrapantes, capacete de segurança ou proteção auricular, usado nas condições adequadas irá reduzir o risco de ferimentos pessoais.
- ▶ **Evite a partida não intencional. Assegure-se de que o interruptor está na posição de desligado antes de conectar o plugue na tomada e/ou bateria, pegar ou**

carregar a ferramenta. Carregar as ferramentas com o seu dedo no interruptor ou conectar as ferramentas que apresentam interruptor na posição "ligado", são convites a acidentes.

- ▶ **Remova qualquer ferramenta ou chave de ajuste antes de ligar a ferramenta elétrica.** Uma ferramenta ou chave ainda ligada a uma parte rotativa da ferramenta elétrica pode resultar em ferimentos pessoais.
- ▶ **Evite uma posição anormal. Mantenha uma posição firme e mantenha sempre o equilíbrio.** Desta forma é mais fácil controlar a ferramenta elétrica em situações inesperadas.
- ▶ **Use vestuário apropriado. Não use roupa larga nem joias. Mantenha seus cabelos e roupas afastados de partes móveis.** As roupas largas, joias ou cabelos longos podem ser agarrados por partes móveis.
- ▶ **Se for possível montar dispositivos de aspiração ou de coleta, assegure-se de que são conectados e usados corretamente.** O uso de um dispositivo de coleta de poeira pode reduzir os riscos associados a poeiras.
- ▶ **Não deixe que a familiaridade resultante do uso frequente de ferramentas permita que você se torne complacente e ignore os princípios de segurança da ferramenta.** Uma ação descuidada pode causar ferimentos graves numa fração de segundo.

Uso e manuseio cuidadoso da ferramenta elétrica

- ▶ **Não sobrecarregue a ferramenta elétrica. Use a ferramenta elétrica correta para a sua aplicação.** É melhor e mais seguro trabalhar com a ferramenta elétrica apropriada na área de potência para a qual foi projetada.
- ▶ **Não use a ferramenta elétrica se o interruptor estiver defeituoso.** Qualquer ferramenta elétrica que não pode mais ser controlada com o interruptor é perigosa e deve ser reparada.
- ▶ **Desconecte o plugue da alimentação e/ou remova a bateria, se removível, da ferramenta elétrica antes de efetuar ajustes, trocar acessórios ou guardar as ferramentas elétricas.** Tais medidas de segurança preventivas reduzem o risco de se ligar a ferramenta acidentalmente.
- ▶ **Guarde as ferramentas elétricas não utilizadas fora do alcance das crianças e não permita que as pessoas que não estejam familiarizadas com a ferramenta elétrica ou com essas instruções usem a ferramenta elétrica.** As ferramentas elétricas são perigosas nas mãos de usuários não treinados.
- ▶ **Trate as ferramentas elétricas e acessórios com cuidado. Cheque o desalinhamento ou coesão das partes móveis, rachaduras e qualquer outra condição que possa afetar a operação da ferramenta. Se houver danos, repare a ferramenta elétrica antes do uso.** Muitos acidentes são causados por ferramentas elétricas com manutenção inadequada.
- ▶ **Mantenha as ferramentas de corte afiadas e limpas.** As ferramentas de corte cuidadosamente mantidas e com

arestas de corte afiadas emperram com menos frequência e são mais fáceis de controlar.

- ▶ **Use a ferramenta elétrica, acessórios, bits etc. de acordo com essas instruções, considerando as condições de trabalho e o trabalho a executar.** O uso da ferramenta elétrica em tarefas diferentes das previstas poderá resultar em uma situação perigosa.
- ▶ **Mantenha as empunhadadeiras e as superfícies de agarrar secas, limpas e livres de óleo e graxa.** As empunhadadeiras e superfícies de agarrar escorregadias não permitem o manuseio e controle seguros da ferramenta em situações inesperadas.

Manuseio e uso cuidadoso da ferramenta com bateria

- ▶ **Recarregar somente com o carregador especificado pelo fabricante.** Um carregador que é adequado para um tipo de bateria pode gerar risco de fogo quando utilizado com outro tipo de bateria.
- ▶ **Use as ferramentas somente com as baterias especificamente designadas.** O uso de outro tipo de bateria pode gerar risco de ferimento e fogo.
- ▶ **Quando a bateria não estiver em uso, mantenha-o afastado de objetos metálicos como clips, moedas, chaves, pregos, parafusos ou outros objetos metálicos pequenos que podem fazer a ligação de um terminal com o outro.** O curto-circuito dos terminais da bateria pode gerar queimaduras ou fogo.
- ▶ **Sob condições abusivas, líquidos podem vaziar ser expelidos pela bateria; evite o contato. Se o contato acidental ocorrer, lave com água. Se o líquido entrar em contato com os olhos, consulte um médico.** Líquido expelido pela bateria podem causar irritação ou queimaduras.
- ▶ **Não use uma bateria ou uma ferramenta danificada ou modificada.** As baterias danificadas ou modificadas exibem um comportamento imprevisível podendo causar incêndio, explosão ou risco de ferimentos.
- ▶ **Não exponha a bateria ou a ferramenta ao fogo ou temperaturas excessivas.** A exposição ao fogo ou a temperaturas acima de 130 °C pode causar explosão.
- ▶ **Siga todas as instruções de carregamento e não carregue a bateria ou a ferramenta fora da faixa de temperatura especificada nas instruções.** O carregamento inadequado ou a temperaturas fora da faixa especificada pode danificar a bateria e aumentar o risco de incêndio.

Serviço

- ▶ **Somente permita que a sua ferramenta elétrica seja reparada por pessoal qualificado e usando peças de reposição originais.** Só dessa forma é assegurada a segurança da ferramenta elétrica.
- ▶ **Jamais tente reparar baterias danificadas.** O reparo de baterias deve ser somente realizado pelo fabricante ou por prestadores de serviços autorizados.

Instruções de segurança para parafusadeiras

Instruções de segurança para todas as operações

- ▶ **Segure a ferramenta elétrica pela superfície isolada de manuseio, ao realizar uma operação onde o acessório de corte ou os elementos de fixação podem entrar em contato com a fiação oculta.** O contato do acessório de corte ou dos elementos de fixação a um fio "vivo" pode tornar "vivas" as partes metálicas expostas da ferramenta e pode resultar ao operador um choque elétrico.

Instruções de segurança no uso de brocas longas

- ▶ **Nunca opere a uma velocidade maior do que a velocidade nominal máxima da broca.** Em velocidades elevadas, há a possibilidade da broca entortar se girar livremente sem entrar em contato com a peça de trabalho, resultando em lesão pessoal grave.
- ▶ **Comece sempre a perfurar em baixa velocidade e com a ponta da broca em contato com a peça de trabalho.** Em velocidade elevada, há a possibilidade de a broca entortar se girar livremente sem entrar em contato com a peça de trabalho, resultando em lesão pessoal grave.
- ▶ **Aplique pressão somente em linha direta com a broca e não aplique pressão excessiva.** A broca pode entortar causando a ruptura ou a perda de controle, resultando em lesão pessoal.

Instruções de segurança adicionais

- ▶ **Fixar a peça a ser trabalhada.** Uma peça a ser trabalhada fixa com dispositivos de aperto ou com um torno de bancada está mais firme do que segurada com a mão.
- ▶ **Espere a ferramenta elétrica parar completamente, antes de depositá-la.** O acessório acoplável pode empernar e levar à perda de controle sobre a ferramenta elétrica.
- ▶ **Desligue de imediato a ferramenta elétrica se o acessório acoplável ficar bloqueado. Esteja preparado para torques de reação altos que causam um contragolpe.** O acessório acoplável fica bloqueado se a ferramenta elétrica é sobrecarregada ou se ficar empernada em uma peça a ser trabalhada.
- ▶ **Utilizar detectores apropriados, para encontrar cabos escondidos, ou consultar a companhia elétrica local.** O contato com cabos elétricos pode provocar fogo e choques elétricos. Danos em tubos de gás podem levar a explosões. A penetração em um cano de água causa danos materiais.
- ▶ **Segure bem a ferramenta elétrica.** Ao apertar ou soltar parafusos podem ocorrer momentos de reação elevados.
- ▶ **Em caso de danos e de utilização incorreta da bateria, podem escapar vapores. A bateria pode incendiar-se ou explodir.** Arejar bem o local de trabalho e consultar um médico se forem constatados quaisquer sintomas. Os vapores podem irritar as vias respiratórias.
- ▶ **Não altere nem abra o acumulador.** Existe perigo de curto-circuito.

- ▶ **A bateria pode ser danificada com objetos pontiagudos como p. ex. prego ou chave de parafusos ou devido à influência de força externa.** Pode ocorrer um curto-circuito interno e a bateria pode arder, deitar fumo, explodir ou sobreaquecer.
- ▶ **Utilize a bateria apenas em produtos do fabricante.** Só assim é que a bateria fica protegida contra sobrecarga perigosa.



Proteja a bateria do calor, p. ex. radiação solar permanente, fogo, sujeira, água e umidade. Há risco de explosão ou de um curto-circuito.



- ▶ **Cuidado! Durante a utilização da ferramenta elétrica com Bluetooth® podem ocorrer falhas noutros aparelhos e instalações, aviões e aparelho médicos (p. ex. marca-passos, aparelhos auditivos.) Também não é possível excluir lesões em pessoas e animais nas imediações. Não utilize a ferramenta elétrica com Bluetooth® nas proximidades de aparelhos médicos, estações de serviço, instalações químicas, áreas com perigo de explosão e em áreas de detonação. Não utilize a ferramenta elétrica com Bluetooth® em aviões. Evite o funcionamento durante um longo período de tempo junto ao corpo.**

A marca nominativa *Bluetooth®* bem como os símbolos gráficos (logótipos) são marcas registradas e propriedade da Bluetooth SIG, Inc. Qualquer utilização desta marca nominativa/símbolos gráficos pela Robert Bosch Power Tools GmbH é feita ao abrigo de licença.



AVISO



Certifique-se de que as baterias de botão não vão parar nas mãos de crianças. As baterias de botão são perigosas.

- ▶ **As baterias de botão não podem nunca ser engolidas ou introduzidas numa outra abertura corporal. Caso se suspeite que a bateria de botão foi engolida ou introduzida numa outra abertura corporal, procure imediatamente um médico.** Engolir uma bateria de botão pode causar queimaduras químicas internas graves num espaço de 2 horas e causar a morte.
- ▶ **Ao substituir a bateria de botão, tenha atenção para o fazer corretamente.** Há perigo de explosão.
- ▶ **Utilize somente as pilhas botão mencionadas neste manual de instruções.** Não utilize outras pilhas botão ou outra alimentação de energia.
- ▶ **Não tente recarregar a bateria de botão nem a coloque em curto-circuito.** A bateria de botão pode vazar, explodir, inflamar e ferir pessoas.
- ▶ **Remova e descarte as baterias de botão descarregadas de forma adequada.** As baterias de botão descarregadas podem vazar, danificando o produto ou ferindo pessoas.

- ▶ **Não sobreaqueça a bateria de botão nem a atire para o fogo.** A bateria de botão pode vaziar, explodir, inflamar e ferir pessoas.
- ▶ **Não danifique a bateria de botão e nem a desmonte.** A bateria de botão pode vaziar, explodir, inflamar e ferir pessoas.
- ▶ **Não coloque uma bateria de botão danificada em contato com água.** O lítio que sai em contato com água pode formar hidrogênio, originado um incêndio, uma explosão ou ferimentos em pessoas.

Descrição do produto e especificações



Ler todas as indicações de segurança e instruções. O desrespeito das advertências e das instruções de segurança apresentadas abaixo pode causar choque elétrico, incêndio e/ou graves lesões.

Respeite as ilustrações na parte da frente do manual de instruções.

Utilização adequada

A ferramenta elétrica é adequada para enroscar e soltar parafusos, bem como para furar madeira, metal e plástico. A ferramenta elétrica pode ser utilizada com um adaptador de ângulo reto (GFA 18-W), adaptador de ângulo reto com mandril de metal (GFA 18-WM), adaptador excêntrico (GFA 18-E), adaptador de mandril (GFA 18-B), adaptador de mandril de metal (GFA 18-M) ou adaptador para martelo perfurador (GFA 18-H).

Os dados e ajustes da ferramenta elétrica podem ser transferidos entre a ferramenta elétrica e um aparelho terminal móvel com o *Bluetooth*[®] Low Energy Module **GCY 42 / GCY 42 NC** inserido através de tecnologia de radiotransmissão *Bluetooth*[®].

Componentes ilustrados

A numeração dos componentes ilustrados se refere à representação da ferramenta elétrica na página de esquemas.

- (1) Encabadouro da ferramenta
- (2) Casquilho de travamento
- (3) Anel de ajuste da pré-seleção do torque
- (4) Seletor de marchas
- (5) Cobertura do Bluetooth[®] Low Energy Module **GCY 42 / GCY 42 NC**
- (6) Porta-bits^{a)}
- (7) Clipe de suporte para cinto^{a)}
- (8) Bateria^{a)}
- (9) Botão de destravamento da bateria^{a)}
- (10) Interface de usuário
- (11) Comutador de reversão
- (12) Interruptor de ligar/desligar
- (13) Punho (superfície do punho isolada)
- (14) Adaptador de mandril de metal GFA 18-M^{a)}
- (15) Adaptador de mandril GFA 18-B^{a)}
- (16) Adaptador de ângulo reto GFA 18-W^{a)}
- (17) Adaptador excêntrico GFA 18-E^{a)}
- (18) Adaptador de ângulo reto com mandril de metal GFA 18-WM^{a)}
- (19) Adaptador para martelo perfurador GFA 18-H^{a)}
- (20) Anel de bloqueio^{a)}

Interface de usuário

- (21) Indicação do estado da ferramenta elétrica
- (22) LED para KickBack Control
- (23) Tecla para KickBack Control
- (24) Luz de trabalho (LED)
- (25) Botão para acoplamento de precisão
- (26) LED para acoplamento de precisão

a) **Este acessório não faz parte do volume de entrega padrão.**

Dados técnicos

Berbequim/aparafusador sem fio		GSR 18V-90 FC	GFA 18-M	GFA 18-W	GFA 18-E	GFA 18-WM
Número de produto		3 601 JK6 2..	-	-	-	-
Tensão nominal	V=	18	-	-	-	-
Nº de rotações em vazio ^{A)}						
- 1ª velocidade	rpm	0-630	-	-	-	-
- 2ª velocidade	rpm	0-2100	-	-	-	-
Torque máx. (macio) ^{A)}	Nm	36	-	-	-	-
Torque máx. (duro) ^{A)}	Nm	64	-	-	-	-
Ø máx. de furo						
- Madeira	mm	68	-	-	-	-

Berbequim/aparafusador sem fio		GSR 18V-90 FC	GFA 18-M	GFA 18-W	GFA 18-E	GFA 18-WM
- Aço	mm	13	-	-	-	-
- Concreto	mm	10	-	-	-	-
Ø máx. do parafuso	mm	12	-	-	-	-
Encabadouro da ferramenta	mm	6,35 ¼" sextavado interior	1,5-13	6,35 ¼" Sextavado interior	6,35 ¼" Sextavado interior	1,5-13
Peso ^{B)}	kg	1,3-2,3 ^{C)}	0,38	0,44	0,44	0,66
Temperatura ambiente recomendada ao carregar	°C	0 ... +35				
Temperatura ambiente admissível durante o funcionamento e durante o armazenamento	°C	-20 ... +50				
Baterias recomendadas		GBA 18V... ProCORE18V...	-	-	-	-
Carregadores recomendados		GAL 18... GAX 18... GAL 36...	-	-	-	-

A) Medido a 20-25 °C com bateria **GBA 18V 5.0Ah**.

B) depende da bateria utilizada

C) Medido com **GBA 18V 1.5Ah** e **GBA 18V 12.0Ah**.

Os valores podem variar em função do produto e estar sujeitos a condições de aplicação e do meio ambiente. Mais informações em www.bosch-professional.com/wac.

Informação sobre ruídos/vibrações

		GSR 18V-90 FC	GFA 18-M	GFA 18-W	GFA 18-E	GFA 18-WM
--	--	---------------	----------	----------	----------	-----------

Valores de emissão de ruído determinados de acordo com **EN 62841-2-1** para **GFA 18-M, GFA 18-WM**.

Valores de emissão de ruído determinados de acordo com **EN 62841-2-2** para **GSR 18V-90 FC, GFA 18-W, GFA 18-E**.

O nível sonoro avaliado A da ferramenta elétrica é normalmente

Nível de pressão sonora	dB(A)	77,5	78	78,5	78,5	79
	dB(A)	85,5	86	86,5	86,5	87
Nível de potência sonora	dB	3	5	3	3	5

Incerteza K

Utilizar proteção auditiva!

Valores totais de vibração a_h (soma dos vetores de três direções) e incerteza K determinados em função da **EN 62841-2-1** para **GFA 18-M, GFA 18-WM**:

Valores totais de vibração a_h (soma dos vetores de três direções) e incerteza K determinados em função da **EN 62841-2-2** para **GSR 18V-90 FC, GFA 18-W, GFA 18-E**:

Furar em metal:

a_h	m/s^2	-	< 2,5	-	-	< 2,5
K	m/s^2	-	1,5	-	-	1,5

Parafusar:

a_h	m/s^2	< 2,5	-	< 2,5	< 2,5	-
K	m/s^2	1,5	-	1,5	1,5	-

Os níveis de vibrações indicados nestas instruções e o valor de emissão de ruído foram medidos de acordo com um método de medição padronizado e podem ser usados para comparar ferramentas elétricas entre si. Também são adequados para uma avaliação preliminar das emissões de vibrações e ruído.

Os níveis de vibrações indicados e o valor de emissão de ruído representam as principais aplicações da ferramenta elétrica. No entanto, se a ferramenta elétrica for usada para outras aplicações, com diferentes acessórios acopláveis ou com manutenção insuficiente, os níveis de vibrações e o valor de emissão de ruído podem ser diferentes. Isso pode aumentar significativamente as emissões de vibrações e ruído durante todo o período de trabalho.

Para uma estimativa precisa das emissões de vibrações e ruído, também devem ser considerados os momentos em que a ferramenta está desligada ou em funcionamento, mas não está realmente em uso. Isso pode reduzir significativamente as emissões de vibrações e ruído durante todo o período de trabalho.

Além disso também deverão ser estipuladas medidas de segurança para proteger o operador contra o efeito de vibrações, como por exemplo: a manutenção das ferramentas elétricas e dos acessórios acopláveis, luvas durante o trabalho e a organização dos processos de trabalho.

Bateria

A **Bosch** vende ferramentas elétricas sem fio também sem bateria. Pode consultar na embalagem se está incluída uma bateria no material a fornecer da sua ferramenta elétrica.

Carregar a bateria

► **Utilize somente os carregadores indicados nos dados técnicos.** Somente estes carregadores são adequados para a bateria de íons de lítio utilizada na sua ferramenta elétrica.

Nota: as baterias de lítio são fornecidas parcialmente carregadas devido aos regulamentos internacionais relativos ao transporte. Para assegurar a capacidade máxima da bateria, carregue completamente a bateria antes da primeira utilização.

Colocar a bateria

Empurre a bateria para o respectivo alojamento até que a bateria esteja engatada.

Remover a bateria



Para retirar a bateria, pressione o botão de destravamento e retire a bateria para fora. **Ao fazê-lo, não aplique força.**

A bateria dispõe de 2 níveis de bloqueio para evitar que a bateria caia se for pressionado acidentalmente o botão de destravamento da bateria. Enquanto a bateria estiver na ferramenta elétrica, ele será mantido em posição por meio de uma mola.

Indicador do nível de carga da bateria

Nota: Nem todos os tipos de bateria dispõem de um indicador do nível de carga de bateria.

Os LEDs verdes do indicador do nível de carga da bateria mostram o nível de carga da bateria. Por motivos de segurança, a consulta do nível de carga só é possível com a ferramenta elétrica parada.

Pressione a tecla para o indicador do nível de carga  ou  para exibir o nível de carga. Isto também é possível com a bateria removida.

Se depois de pressionar a tecla para o indicador do nível de carga não acender nenhum LED, a bateria tem defeito ou tem de ser substituída.

O nível de carga da bateria também é exibido na interface de usuário (ver "Indicadores de estado", Página 50).

Tipo de bateria GBA 18V...



LED	Capacidade
Luz permanente 3 × verde	60–100 %
Luz permanente 2 × verde	30–60 %
Luz permanente 1 × verde	5–30 %
Luz intermitente 1 × verde	0–5 %

Tipo de bateria ProCORE18V...



LED	Capacidade
Luz permanente 5 × verde	80–100 %
Luz permanente 4 × verde	60–80 %
Luz permanente 3 × verde	40–60 %
Luz permanente 2 × verde	20–40 %
Luz permanente 1 × verde	5–20 %
Luz intermitente 1 × verde	0–5 %

Indicações para o manuseio ideal da bateria

Proteja a bateria de umidade e água.

Armazene a bateria apenas numa faixa de temperatura de -20 °C até 50 °C. Não deixe a bateria p. ex. dentro de um veículo no verão.

Limpe ocasionalmente as aberturas de ventilação da bateria com um pincel macio, limpo e seco.

Uma autonomia consideravelmente inferior após um carregamento, indica que a bateria está gasta e tem de ser substituída.

Observar a indicação sobre a eliminação de forma ecológica.

Montagem

► **Antes de qualquer trabalho na ferramenta elétrica (p. ex. manutenção, troca de ferramenta, etc.) retire a**

bateria da mesma. Existe perigo de ferimentos no caso de acionamento acidental do interruptor de ligar/desligar.

Colocar **Bluetooth® Low Energy Module GCY 42 / GCY 42 NC**

Para informações sobre **Bluetooth® Low Energy Module GCY 42 / GCY 42 NC**, leia o guia de usuário associado.

Troca de ferramenta

Introduzir a ferramenta de trabalho (ver figura A)

Empurre o casquilho de travamento (2) para trás e introduza a ferramenta de trabalho no encabadouro (1) girando-o. Volte a soltar o casquilho de travamento (2) para engatar a ferramenta de trabalho

Remover a ferramenta de trabalho

Deslize o casquilho de travamento (2) para trás e retire a ferramenta de trabalho do encabadouro (1).

Montar o adaptador (ver figura B)

Retire a ferramenta de trabalho.

Encaixe o adaptador no suporte (1). Rode o anel de bloqueio (20) até engatar audivelmente.

Inserir a ferramenta de trabalho no adaptador

GFA 18-E/GFA 18-W (ver figura C):

Empurre o casquilho de travamento (2) para trás e introduza a ferramenta de trabalho no encabadouro (1) girando-o. Volte a soltar o casquilho de travamento (2) para engatar a ferramenta de trabalho

GFA 18-M/GFA 18-B/GFA 18-WM (ver figura D):

Abra o adaptador de mandril rodando no sentido ① até ser possível colocar a ferramenta de trabalho. Coloque a ferramenta de trabalho.

Rode o soquete do adaptador de mandril no sentido ② manualmente com força. Dessa forma, o mandril é bloqueado automaticamente.

Rodar o adaptador (GFA 18-W, GFA 18-E, GFA 18-WM) (ver figura E)

Puxe o adaptador para a frente. Rode o adaptador para a posição desejada e, a seguir, solte-o para o prender. O adaptador engata em 16 posições distribuídas por 360 graus.

Desmontar o adaptador (ver figura F)

Retire a ferramenta de trabalho.

Desbloqueie o adaptador no sentido ③ e retire-o do encabadouro (1) puxando.

Aspiração de pó/de aparas

Pós de materiais, como por exemplo, tintas que contêm chumbo, alguns tipos de madeira, minerais e metais, podem ser nocivos à saúde. O contato com os pós ou a inalação dos mesmos pode provocar reações alérgicas e/ou doenças nas vias respiratórias do usuário ou das pessoas que se encontrem por perto.

Certos pós, como por exemplo pó de carvalho e faia são considerados cancerígenos, especialmente quando juntos com substâncias para o tratamento de madeiras (cromato, preservadores de madeira). Material que contem amianto só deve ser processado por pessoal especializado.

- Assegurar uma boa ventilação do local de trabalho.
- É recomendável usar uma máscara de proteção respiratória com filtro da classe P2.

Observe as diretrizes, vigentes no seu país, relativas aos materiais a serem trabalhados.

- ▶ **Evitar acúmulos de pó no local de trabalho.** Pós podem se inflamar levemente.

Funcionamento

Colocação em funcionamento

Ajustar sentido de rotação (ver figura H)

- ▶ **Acione o comutador do sentido de rotação (11) apenas com a ferramenta elétrica parada.**

Com o comutador do sentido de rotação (11) pode alterar o sentido de rotação da ferramenta elétrica. No entanto, tal não é possível com o interruptor de ligar/desligar (12) pressionado.

Rotação à direita: Para furar e apertar parafusos, pressione o comutador do sentido de rotação (11) para a esquerda até ao limitador.

Rotação à esquerda: Para soltar ou desaparafusar parafusos e porcas, pressione o comutador do sentido de rotação (11) para a direita até ao limitador.

Pré-selecionar o torque

Com o anel de ajuste de pré-seleção do torque (3) é possível pré-selecionar o torque necessário em 20 níveis. Com o ajuste correto, a ferramenta de trabalho é parada assim que o parafuso esteja à face do material ou o torque ajustado seja atingido. Na posição ④ a embreagem de segurança por desengate está desativada, p. ex. para furar.

Para soltar parafusos, selecione eventualmente um ajuste mais elevado ou coloque no símbolo ④.

Na posição ④ é alcançado o torque máximo para furar e aparafusar.

Ajuste mecânico da velocidade

- ▶ **Acione o interruptor de regulação da velocidade (4) somente com a ferramenta elétrica parada.**

- ▶ **Empurre o interruptor de regulação da velocidade sempre até ao batente.** Caso contrário, a ferramenta elétrica pode ficar danificada.

Com o interruptor de regulação da velocidade (4) podem ser pré-selecionados 2 regimes de rotações.

Posição seletor de marchas (4)	Número de rotações	Torque	Aplicação
1	Baixo	Alto	Para aplicações difíceis:

Posição seletor de marchas (4)	Número de rotações	Torque	Aplicação
			p. ex. furar e parafusar com grande diâmetro
2	Alto	Baixo	Para aplicações fáceis: p. ex. furar e parafusar com pequeno diâmetro

Ajustar o modo de operação



Furar

Coloque o anel de ajuste da pré-seleção do torque (3) no símbolo "Furar", para alcançar o torque máximo ao furar e aparafusar.



Aparafusar

Coloque o anel de ajuste de pré-seleção do torque (3) no nível de torque desejado.

Ligar e desligar

Para **ligar** a ferramenta elétrica pressione e mantenha pressionado o interruptor de ligar/desligar (12).

A luz de trabalho (24) acende-se com o interruptor de ligar/desligar (12) ligeira ou totalmente pressionado e permite iluminar o local de trabalho com condições de luminosidade desfavoráveis.

Ajustar o número de rotações

É possível regular o número de rotações da ferramenta elétrica ligada, dependendo do quanto o interruptor de ligar/desligar (12) é pressionado.

Uma leve pressão no interruptor de ligar/desligar (12) origina uma rotação baixa. Aumentando a pressão aumenta a rotação.

Proteção contra sobrecarga em função da temperatura

Com uma utilização adequada a ferramenta elétrica não aquece. Com uma carga demasiado alta ou ao sair da gama de temperaturas de serviço, o número de rotações é reduzido ou a ferramenta elétrica é desligada. A ferramenta elétrica só volta a funcionar com o número de rotações total quando atingir novamente a temperatura de serviço permitida.

A proteção contra sobrecarga dependente da temperatura é indicada através de um acender a vermelho do LED na ferramenta elétrica.

Indicadores de estado

Indicação do estado da ferramenta elétrica	Significado/causa	Solução
Verde	Estado OK	-

- Para voltar a alcançar a gama de temperaturas de serviço permitida, opere a ferramenta elétrica em vazio ou aguarde até que o LED acenda novamente a verde.

Quando o LED acende a verde, a ferramenta alcançou novamente a gama de temperaturas de serviço permitida.

Interface de usuário (ver figura 1)

A interface de usuário (10) serve para ativar ou desativar o acoplamento de precisão "Precision Clutch" e o desligamento rápido "KickBack Control" bem como para a indicação do estado da ferramenta elétrica.

Acoplamento de precisão (Precision Clutch)



O acoplamento de precisão para o engate excessivo ao alcançar o torque definido reduzindo assim o desgaste do acoplamento e a emissão de ruído daí resultante.

O acoplamento de precisão pode ser desativado na interface de usuário (10) com o botão de acoplamento de precisão (25). O estado atual é indicado através do LED do acoplamento de precisão (26) na interface de usuário (10).

Desligamento rápido (Kickback Control)



O desligamento rápido (KickBack Control) oferece um melhor controle sobre a ferramenta elétrica e aumenta assim a proteção do usuário em comparação às ferramentas elétricas sem o KickBack

Control. Em caso de uma rotação repentina e imprevista da ferramenta elétrica sobre o eixo de perfuração, a ferramenta elétrica se desliga.

O desligamento rápido é indicado na ferramenta elétrica através do LED (21) que pisca a vermelho, de um piscar da luz de trabalho (24) e de um acender a vermelho do LED para KickBack Control (22).

Para a **recolocação em funcionamento** solte o interruptor de ligar/desligar e pressione-o de novo.

- **Se o desligamento rápido (KickBack Control) estiver com defeito, não é possível ligar mais a ferramenta elétrica. Só permita que a ferramenta elétrica seja consertada por pessoal especializado e qualificado e só com peças de reposição originais.**

O desligamento rápido pode ser desativado na interface de usuário (10) com a tecla KickBack Control (23). Se a ferramenta elétrica não for usada durante mais do que 5 minutos ou se a bateria for retirada, o desligamento rápido torna a ligar-se automaticamente. O estado atual é indicado através do LED KickBack Control (22) na interface de usuário (10).

- **Nota: a luz de aviso não é visível de todas as direções! A luz de aviso é difícil de reconhecer se a luz solar for muito forte.**

Indicação do estado da ferramenta elétrica	Significado/causa	Solução
Amarelo	Temperatura crítica atingida, bateria quase vazia ou KickBack Control desligado	Deixe a ferramenta elétrica funcionar em vazio e esfriar, troque ou carregue a bateria em breve ou pressione a tecla KickBack Control
Acende a vermelho	A ferramenta elétrica está superaquecida ou a bateria está vazia	Deixe a ferramenta elétrica esfriar ou troque ou carregue a bateria
Vermelho intermitente	O desligamento rápido se ativou	Desligue e volte a ligar a ferramenta elétrica
Azul intermitente	A ferramenta elétrica está ligada ao aparelho terminal móvel ou as configurações estão sendo transferidas	–

Funções Connectivity

Juntamente com o *Bluetooth*® Low Energy Module **GCY 42 / GCY 42 NC** são disponibilizadas as seguintes funções Connectivity para a ferramenta elétrica:

- Registro e personalização
- Verificação do estado, emissão de mensagens de aviso
- Informações gerais
- Gestão
- Ligar/desligar a luz de trabalho
- Ajuste da luminosidade da luz de trabalho e da duração da iluminação remanescente da luz de trabalho
- Ajuste da luminosidade da interface de usuário e da duração da iluminação remanescente da interface de usuário

Para informações sobre *Bluetooth*® Low Energy Module **GCY 42 / GCY 42 NC**, leia o guia de usuário associado.

Indicações de trabalho

- ▶ **A ferramenta elétrica com o *Bluetooth*® Low Energy Module GCY 42 / GCY 42 NC (acessório) inserido, está equipada com uma interface de comunicação. Devem ser observadas as restrições de operação locais, p. ex. em aviões ou hospitais.**
- ▶ **Coloque somente a ferramenta elétrica desligada sobre o parafuso.** Ferramentas elétricas rodando podem deslizar.

Clipe de suporte para cinto

Com o clipe de suporte para cinto (7) pode pendurar a ferramenta elétrica p. ex. no cinto. Assim fica com as duas mãos livres e a ferramenta elétrica está sempre à mão.

Manutenção e serviço

Manutenção e limpeza

- ▶ **Antes de qualquer trabalho na ferramenta elétrica (p. ex. manutenção, troca de ferramenta, etc.) retire a bateria da mesma.** Existe perigo de ferimentos no caso de acionamento acidental do interruptor de ligar/desligar.
- ▶ **Manter a ferramenta elétrica e as aberturas de ventilação sempre limpas, para trabalhar bem e de forma segura.**

Serviço pós-venda e assistência ao cliente

O serviço pós-venda responde às suas perguntas a respeito de serviços de reparação e de manutenção do seu produto, assim como das peças sobressalentes. Desenhos explodidos e informações sobre peças sobressalentes também em:

www.bosch-pt.com

A nossa equipe de consultores Bosch esclarece com prazer todas as suas dúvidas a respeito dos nossos produtos e acessórios.

Indique em todas as questões ou encomendas de peças sobressalentes impreterivelmente a referência de 10 dígitos de acordo com a placa de características do produto.

Brasil

Robert Bosch Ltda. – Divisão de Ferramentas Elétricas
Rodovia Anhanguera, Km 98 - Parque Via Norte
13065-900, CP 1195
Campinas, São Paulo
Tel.: 0800 7045 446
www.bosch.com.br/contato

Encontre outros endereços da assistência técnica em:

www.bosch-pt.com/serviceaddresses

Transporte

As baterias de lítio recomendadas estão em conformidade com os requisitos da regulamentação do transporte de mercadorias perigosas. As baterias podem ser transportadas pelo usuário nas vias públicas, sem nenhuma restrição.

No caso de envio através de terceiros (p. ex.: transporte aéreo ou transitário) é necessário respeitar os requisitos especiais para a embalagem e identificação. Neste caso, para a preparação da embalagem é necessário consultar um perito no transporte de mercadorias perigosas.

Só enviar baterias se a carcaça não estiver danificada. Colar contatos abertos e embalar o bateria de modo que não possa se movimentar dentro da embalagem. Por favor observe também eventuais diretrizes nacionais suplementares.

Descarte

Ferramentas elétricas, baterias, acessórios e embalagens devem ser enviados a uma reciclagem ecológica de matérias primas.



Não descarte as ferramentas elétricas e as baterias/pilhas no lixo doméstico!

Baterias/pilhas:**Lítio:**

Por favor, observe as instruções na seção de transporte (ver "Transporte", Página 51).

中文

安全规章

电动工具通用安全警告

警告！

阅读随电动工具提供的所有安全警告、说明、图示和规定。

不遵照以下所列说明会导致电击、着火和/或严重伤害。

保存所有警告和说明书以备查阅。

警告中的术语“电动工具”是指市电驱动（有线）电动工具或电池驱动（无线）电动工具。

工作场地的安全

- ▶ **保持工作场地清洁和明亮。** 杂乱和黑暗的场地会引发事故。
- ▶ **不要在易爆环境，如有易燃液体、气体或粉尘的环境下操作电动工具。** 电动工具产生的火花会点燃粉尘或气体。
- ▶ **操作电动工具时，远离儿童和旁观者。** 注意力不集中会让你失去对工具的控制。

电气安全

- ▶ **电动工具插头必须与插座相配。** 绝不能以任何方式改装插头。需接地的电动工具不能使用任何转换插头。未经改装的插头和相配的插座将降低电击风险。
- ▶ **避免人体接触接地表面，如管道、散热片和冰箱。** 如果你身体接触接地表面会增加电击风险。
- ▶ **不得将电动工具暴露在雨中或潮湿环境中。** 水进入电动工具将增加电击风险。
- ▶ **不得滥用软线。** 绝不能用软线搬运、拉动电动工具或拔出其插头。使软线远离热源、油、锐边或运动部件。受损或缠绕的软线会增加电击风险。
- ▶ **当在户外使用电动工具时，使用适合户外使用的延长线。** 适合户外使用的电线将降低电击风险。
- ▶ **如果无法避免在潮湿的环境中操作电动工具，应使用带有剩余电流装置（RCD）保护的电源。** RCD的使用可降低电击风险。

人身安全

- ▶ **保持警觉，当操作电动工具时关注所从事的操作并保持清醒。** 当你感到疲倦，或在有药物、酒精或治疗反应时，不要操作电动工具。在操作电动工具时瞬间的疏忽会导致严重人身伤害。
- ▶ **使用个人防护装置。始终佩戴护目镜。** 防护装置，诸如适当条件下使用防尘面具、防滑安全鞋、安全帽、听力防护等装置能减少人身伤害。
- ▶ **防止意外启动。** 在连接电源和/或电池包、拿起或搬运工具前确保开关处于关断位置。手指放在开关上搬运工具或开关处于接通时通电会导致危险。
- ▶ **在电动工具接通之前，拿掉所有调节钥匙或扳手。** 遗留在电动工具旋转零件上的扳手或钥匙会导致人身伤害。
- ▶ **手不要过分伸展。时刻注意立足点和身体平衡。** 这样能在意外情况下能更好地控制住电动工具。
- ▶ **着装适当。不要穿宽松衣服或佩戴饰品。** 让你的头发和衣服远离运动部件。宽松衣服、佩戴或长发可能会卷入运动部件。
- ▶ **如果提供了与排屑、集尘设备连接用的装置，要确保其连接完好且使用得当。** 使用集尘装置可降低尘屑引起的危险。
- ▶ **不要因为频繁使用工具而产生的熟悉感而掉以轻心，忽视工具的安全准则。** 某个粗心的动作可能在瞬间导致严重的伤害。

电动工具使用和注意事项

- ▶ **不要勉强使用电动工具，根据用途使用合适的电动工具。** 选用合适的按照额定值设计的电动工具会使你工作更有效、更安全。
- ▶ **如果开关不能接通或关断电源，则不能使用该电动工具。** 不能通过开关来控制的电动工具是危险的且必须进行修理。
- ▶ **在进行任何调节、更换附件或贮存电动工具之前，必须从电源上拔掉插头和/或卸下电池包（如可拆卸）。** 这种防护性的安全措施降低了电动工具意外启动的风险。
- ▶ **将闲置不用的电动工具贮存在儿童所及范围之外，并且不允许不熟悉电动工具和不了解这些说明的人操作电动工具。** 电动工具在未经培训的使用者手中是危险的。
- ▶ **维护电动工具及其附件。** 检查运动部件是否调整到位或卡住，检查零件破损情况和影响电动工具运行的其他状况。如有损坏，应在使用前修理好电动工具。许多事故是由维护不良的电动工具引发的。
- ▶ **保持切削刀具锋利和清洁。** 维护良好地有锋利切削刃的刀具不易卡住而且容易控制。
- ▶ **按照使用说明书，并考虑作业条件和要进行的作业来选择电动工具、附件和工具的刀头等。** 将电动工具用于那些与其用途不符的操作可能会导致危险情况。
- ▶ **保持手柄和握持表面干燥、清洁，不得沾有油脂。** 在意外的情况下，湿滑的手柄不能保证握持的安全和对工具的控制。

电池式工具使用和注意事项

- ▶ 仅使用生产者规定的充电器充电。将适用于某种电池包的充电器用到其他电池包时可能会发生着火危险。
- ▶ 仅使用配有专用电池包的电动工具。使用其他电池包可能会产生伤害和着火危险。
- ▶ 当电池包不用时，将它远离其他金属物体，例如回形针、硬币、钥匙、钉子、螺钉或其他小金属物体，以防电池包一端与另一端连接。电池组端部短路可能会引起燃烧或着火。
- ▶ 在滥用条件下，液体可能会从电池组中溅出；应避免接触。如果意外碰到液体，用水冲洗。如果液体碰到了眼睛，还应寻求医疗帮助。从电池中溅出的液体可能会发生腐蚀或燃烧。
- ▶ 不要使用损坏或改装过的电池包或工具。损坏或改装过的电池组可能呈现无法预测的结果，导致着火、爆炸或伤害。
- ▶ 不要将电池包暴露于火或者高温中。电池包暴露于火或高于130 °C的高温中可能导致爆炸。
- ▶ 遵守所有充电说明，给电池组或工具充电时不要超出说明中规定的温度范围。错误充电或温度超出规定的范围可能会损坏电池并提高着火的风险。

维修

- ▶ 由专业维修人员使用相同的备件维修电动工具。这将保证所维修的电动工具的安全。
- ▶ 决不能维修损坏的电池包。电池包仅能由生产者或其授权的维修服务商进行维修。

针对起子机的安全规章

- ▶ 当在钻削附件可能触及暗线的场合进行操作时，通过绝缘握持面握持工具。钻削附件碰到带电导线会使工具外露金属零件带电而使操作者遭受电击。
- ▶ 对于搅拌器，除非搅拌装置位于搅拌材料中，否则不要开启和关闭工具。不这样操作会导致失控而产生人身伤害。
- ▶ 操作时切勿超出钻头的最大额定转速。在较高转速下，如果让钻头在不接触工件的情况下随意旋转，很可能导致其弯折，从而引发人身伤害。
- ▶ 务必以低转速开始钻孔，并让钻头尖端与工件接触。在较高转速下，如果让钻头在不接触工件的情况下随意旋转，很可能导致其弯折，从而引发人身伤害。
- ▶ 施压时务必与钻头成一直线，且不得施加过大压力。若钻头弯折会导致其损坏或失控，从而引发人身伤害。

其它安全规章

- ▶ 固定好工件。使用固定装置或老虎钳固定工件，会比用手握持工件更牢固。
- ▶ 等待电动工具完全静止后才能够放下机器。机器上的工具可能在工作中被夹住，而令您无法控制电动工具。

- ▶ 当工具刀头被夹住时，请立即关闭电动工具。以防反作用力矩导致反弹。当电动工具过载或向待加工工件倾斜时，工具刀头就会卡住。
- ▶ 使用合适的侦测装置侦察隐藏的电线，或者向当地的相关单位寻求支援。接触电线可能引起火灾并让操作者触电。损坏了瓦斯管会引起爆炸。如果水管被刺穿了会导致财物损失。
- ▶ 请紧握电动工具。拧紧和拧松螺丝时可能短时出现高反应扭矩。
- ▶ 如果充电电池损坏或者未按照规定使用，充电电池中会散发出有毒蒸汽。充电电池可能会燃烧或爆炸。工作场所必须保持空气流通，如果身体有任何不适必须马上就医。蒸汽会刺激呼吸道。
- ▶ 切勿改装并打开充电电池。可能造成短路。
- ▶ 钉子、螺丝刀等尖锐物品或外力作用可能会损坏充电电池。可能出现内部短路、蓄电池燃烧、发出烟雾、爆炸或过热。
- ▶ 仅在制造商的产品中使用充电电池。这样才能确保充电电池不会过载。



保护充电电池免受高温（例如长期阳光照射）、火焰、脏污、水和湿气的侵害。有爆炸和短路的危险。



- ▶ 注意！在使用有蓝牙®功能的电动工具时，其他装置和设备、飞机和医疗器械（例如心脏起搏器、助听器）可能会出现故障。同样不能完全排除周围的人 and 动物会受到伤害。请不要在医疗设备、加油站、化工厂、有爆炸危险的地区附近和在爆破区内使用有蓝牙®蓝牙功能的电动工具。请勿在飞机上使用有蓝牙®功能的电动工具。请避免在身体附近较长时间使用。

蓝牙®文字标记和图形符号（标志）是Bluetooth SIG公司的注册商标和财产。Robert Bosch Power Tools GmbH根据许可可使用这些文字标记/图形符号。



警告



请确保儿童远离纽扣电池。纽扣电池存在安全隐患。

- ▶ 切勿吞咽纽扣电池或使其进入人体。若怀疑吞咽了纽扣电池或电池进入了人体，请立即就医。吞咽纽扣电池可在2小时内造成严重的内部灼伤，甚至死亡。
- ▶ 更换纽扣电池时要注意采用正确的更换方式。有爆炸的危险。
- ▶ 请只使用本用户手册中提及的纽扣电池。请勿使用其他纽扣电池或其他电源。
- ▶ 切勿尝试为纽扣电池充电，切勿短接纽扣电池。纽扣电池可能会泄漏、爆炸、燃烧和造成人身伤害。
- ▶ 请拆下电量耗尽的纽扣电池并对其做恰当的废弃物处理。电量耗尽的纽扣电池可能会泄漏，从而损坏产品或造成人身伤害。

- ▶ **纽扣电池不得过热，不可弃置于火中。** 纽扣电池可能会泄露、爆炸、燃烧和造成人身伤害。
- ▶ **不得损坏且不得拆解纽扣电池。** 纽扣电池可能会泄露、爆炸、燃烧和造成人身伤害。
- ▶ **损坏的纽扣电池不得与水接触。** 溢出的锂离子遇水会产生氢气，从而导致火灾、爆炸或人身伤害。

产品和性能说明



请阅读所有安全规章和指示。 不遵照以下警告和说明可能导致电击、着火和/或严重伤害。

请注意本使用说明书开头部分的图示。

按照规定使用

本电动工具用于拧紧和松开螺丝以及在木材、金属和塑料上钻孔。

电动工具可以搭配直角附件 (GFA 18-W)、带金属钻夹头的直角附件 (GFA 18-WM)、偏心附件 (GFA 18-E)、钻夹头附件 (GFA 18-B)、金属钻夹头附件 (GFA 18-M) 或锤钻附件 (GFA 18-H) 使用。

装入 **蓝牙® Low Energy Module GCY 42 / GCY 42 NC** (低能耗模块) 后，通过 **蓝牙®** 无线技术在电动工具和移动终端设备之间传输电动工具的数据和设置。

插图上的机件

机件的编号和电动工具详解图上的编号一致。

- (1) 工具夹头
- (2) 锁定套筒

- (3) 扭矩预选调节环
- (4) 选档开关
- (5) Bluetooth® (蓝牙) 低能耗模块盖板 **GCY 42 / GCY 42 NC**
- (6) 批头套筒^{a)}
- (7) 腰带夹^{a)}
- (8) 充电电池^{a)}
- (9) 充电电池的解锁按钮^{a)}
- (10) 用户界面
- (11) 正逆转开关
- (12) 起停开关
- (13) 手柄 (绝缘握柄)
- (14) 金属钻夹头附件GFA 18-M^{a)}
- (15) 钻夹头附件GFA 18-B^{a)}
- (16) 直角附件GFA 18-W^{a)}
- (17) 偏心附件GFA 18-E^{a)}
- (18) 带金属钻夹头的直角附件GFA 18-WM^{a)}
- (19) 锤钻附件GFA 18-H^{a)}
- (20) 锁紧环^{a)}

用户界面

- (21) 电动工具状态指示灯
- (22) KickBack Control LED灯
- (23) KickBack Control键
- (24) 工作灯 (LED)
- (25) 精密离合器键
- (26) 精密离合器LED灯

a) 该附件并不包含在基本的供货范围中。

技术参数

充电式冲击钻起子机		GSR 18V-90 FC	GFA 18-M	GFA 18-W	GFA 18-E	GFA 18-WM
物品代码		3 601 JK6 2..	-	-	-	-
额定电压	伏特	18	-	-	-	-
空载转速 ^{A)}						
- 第1档	转/分钟	0-630	-	-	-	-
- 第2档	转/分钟	0-2100	-	-	-	-
最大扭矩 (软拧转) ^{A)}	牛顿米	36	-	-	-	-
最大扭矩 (硬拧转) ^{A)}	牛顿米	64	-	-	-	-
最大钻孔直径						
- 木材	毫米	68	-	-	-	-
- 钢	毫米	13	-	-	-	-
- 混凝土	毫米	10	-	-	-	-
最大螺栓直径	毫米	12	-	-	-	-

充电式冲击钻起子机		GSR 18V-90 FC	GFA 18-M	GFA 18-W	GFA 18-E	GFA 18-WM
工具夹头	毫米	6.35 ¼英寸内六角	1.5-13	6.35 ¼英寸内六角	6.35 ¼英寸内六角	1.5-13
重量 ^{B)}	公斤	1.3-2.3 ^{C)}	0.38	0.44	0.44	0.66
充电时建议的环境温度	摄氏度	0 至 +35				
工作时和存放时允许的环境温度	摄氏度	-20 至 +50				
推荐的充电电池		GBA 18V... ProCORE18V...	-	-	-	-
推荐的充电器		GAL 18... GAX 18... GAL 36...	-	-	-	-

A) 在20-25摄氏度的条件下带充电电池**GBA 18V 5.0Ah**测得

B) 视所使用的充电电池而定

C) 使用**GBA 18V 1.5Ah**和**GBA 18V 12.0Ah**进行测量。

数值可能因不同产品而异，并且受到应用和环境条件影响。更多信息请参见www.bosch-professional.com/wac。

充电电池

Bosch也销售不带充电电池的充电式电动工具。您可以在包装上查看电动工具的供货范围内是否包含充电电池。

为充电电池充电

► 请只使用在技术参数中列出的充电器。只有这些充电器才适用于本电动工具上的锂离子电池。

提示：鉴于国际运输规定，锂离子充电电池在交货时只完成部分充电。首度使用电动工具之前，必须先充足充电电池的电量以确保充电电池的功率。

安装充电电池

将充好电的充电电池推入电池座，直到嵌入。

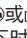

取出充电电池

如需取下充电电池，则请按压解锁按钮，然后拔出充电电池。在此过程中请勿过度用力。

充电电池具备双重锁定功能，即使不小心触动了充电电池的解锁按钮，充电电池也不会从机器中掉落下来。只要充电电池安装在电动工具中，就会被弹簧固定在其位置上。

充电电池电量指示灯

提示：并非每种充电电池型号均具备电量指示灯。充电电池电量指示灯的绿色LED灯显示充电电池的电量。基于安全原因，只能在电动工具静止时检查充电电池的电量。

按压充电电量指示灯按键或，来显示充电电量。也可以在充电电池取下时操作。

如果按压充电电量指示灯按键后没有LED灯亮起，则说明充电电池损坏，必须进行更换。

用户界面上也会显示充电电池的电量(参见“状态显示”，页 57)。

充电电池型号GBA 18V...



LED	电量
3个绿灯长亮	60-100 %
2个绿灯长亮	30-60 %
1个绿灯长亮	5-30 %
1个绿灯闪烁	0-5 %

充电电池型号ProCORE18V...



LED	电量
5个绿灯长亮	80-100 %
4个绿灯长亮	60-80 %
3个绿灯长亮	40-60 %
2个绿灯长亮	20-40 %
1个绿灯长亮	5-20 %
1个绿灯闪烁	0-5 %

如何正确地使用充电电池

保护充电电池，避免湿气和水分渗入。

充电电池必须储存在-20 °C至50 °C的环境中。夏天不得将充电电池搁置在汽车中。

不时地使用柔软、清洁而且干燥的毛刷清洁充电电池的通气孔。

充电后如果充电电池的使用时间明显缩短，代表充电电池已经损坏，必须更换新的充电电池。

请注意有关作废处理的规定。

安装

- ▶ 对电动工具执行任何操作（比如保养、更换刀具等）前需将充电电池从电动工具中取出。意外操作起停开关可能会造成伤害。

插入蓝牙®低能耗模块GCY 42 / GCY 42 NC

有关蓝牙® Low Energy Module（低能耗模块）GCY 42 / GCY 42 NC的信息请见相应的使用说明。

更换刀具

安装工具刀头（参见插图A）

向后推动锁定套筒(2)并将工具刀头旋入固定座(1)。再次松开锁定套筒(2)，以便锁住工具刀头。

拆下工具刀头

向后推动锁定套筒(2)，从固定座(1)中拔出工具刀头。

安装附件（参见插图B）

拆下工具刀头。

将附件插入固定座(1)。旋转锁紧环(20)，直至听到卡止声。

将工具刀头插入附件

GFA 18-E/GFA 18-W（参见插图C）：

向后推动锁定套筒(2)并将工具刀头旋入固定座(1)。再次松开锁定套筒(2)，以便锁住工具刀头。

GFA 18-M/GFA 18-B/GFA 18-WM（参见插图D）：

沿着方向①转动，打开钻夹头附件，直至可以插入工具刀头。插入工具刀头。

沿着方向②用手使劲旋转钻夹头附件的衬套。由此钻夹头会被自动锁止。

旋转附件（GFA 18-W、GFA 18-E、GFA 18-WM）（参见插图E）

向前拔出附件。将附件转到所需位置，然后松开，以将其锁止。附件固定卡入分布在360度的16个位置。

拆卸附件（参见插图F）

拆下工具刀头。

沿方向③解锁附件，将其从固定座(1)上拔下。

抽吸粉尘/切屑

含铅的颜料以及某些木材、矿物和金属的加工废尘有害健康。机器操作者或者工地附近的人如果接触、吸入这些废尘，可能会有过敏反应或者感染呼吸道疾病。

某些尘埃（例如加工橡木或山毛榉的废尘）可能致癌，特别是和处理木材的添加剂（例如木材的防腐剂等）结合之后。只有经过专业培训的人才能够加工含石棉的物料。

- 工作场所要保持空气流通。
- 最好佩戴P2滤网等级的口罩。

请留心并遵守贵国和加工物料有关的法规。

- ▶ 避免让工作场所堆积过多的尘垢。尘埃容易被点燃。

运行

投入使用

调整旋转方向（见图片H）

- ▶ 只能在电动工具静止时操纵正逆转开关(11)。

通过正逆转开关(11)可以更改电动工具的旋转方向。按下起停开关(12)后无法更改。

正转：钻孔和旋入螺栓时，向左按压正逆转开关(11)直至极限位置。

逆转：松开或拧出螺丝和螺母时，向右按压正逆转开关(11)直至极限位置。

预选扭矩

用扭矩预选调节环(3)可在20个档位中预选所需的扭矩。如果扭矩设定正确，只要螺丝头已经平贴在工件表面，或者到达了预定的扭矩，安装在机器上的刀具便会停止转动。已在位置▲▲上停用过锁紧连接，比如钻孔时。

拧出螺栓时可以选择更高的设置或调至图标▲▲▲。在位置▲▲▲上可达到钻孔和拧转螺丝的最大扭矩。

机械式选档

- ▶ 只能在电动工具静止时操纵选档开关(4)。

- ▶ 始终将档位选择开关推至极限位置。否则可能会损坏电动工具。

利用选档开关(4)可以预选2个转速范围。

选档开关 (4)位置	转速	扭矩	应用范围
1	低	高	适用于处理重型任务： 例如以大直径进行钻孔和拧螺丝
2	高	低	适用于处理轻型任务： 例如以小直径进行钻孔和拧螺丝

设置运行模式



钻孔

将扭矩预选调节环(3)调至“钻孔”图标，以便达到钻孔和拧转螺丝的最大扭矩。



拧转螺丝

将扭矩预选调节环(3)调到需要的扭矩档位上。

开动/关闭

将电动工具投入使用时按压起停开关(12)并按住。轻按或是把电源开关(12)按到底时，工作灯(24)会亮起，在照明状况不佳的环境中可以借此照亮工作区域。

调整转速

根据按压起停开关(12)的程度，可以无级调节已接通的电动工具的转速。

轻按起停开关(12)，转速低。逐渐在开关上加压，转速也会跟着提高。

温感式过载保护装置

按照规定使用时不会造成电动工具过载。过大负荷或超出允许的工作温度范围会导致转速降低或造成电动工具关闭。本电动工具在达到了允许的工作温度后才能再次以满转速运行。

受温度影响的过载保护通过电动工具上闪光的LED进行显示。

– 为了再次达到允许的工作温度范围，请让电动工具空转或等待至LED重新亮起绿色。

如果LED亮起绿色，则工具再次达到允许的工作温度范围。

用户界面 (参见插图I)

用户界面(10)用于启用和停用精密离合器“Precision Clutch”和快速关断功能“KickBack Control”以及显示电动工具的状态。

精密离合器 (Precision Clutch)



精密离合器在达到设定扭矩时可阻止过载，从而减少离合器磨损和由此产生的噪音。

状态显示

电动工具状态指示灯	含义/原因	解决方案
绿色	状态正常	–
黄色	已达到临界温度或充电电池的电量几乎耗尽或KickBack Control已关闭	让电动工具空转、冷却、更换或尽快为充电电池充电或按压KickBack Control键
亮红光	电动工具过热或充电电池电量耗尽	让电动工具冷却或更换或为充电电池充电
以红光闪烁	快速关断功能已触发	关闭电动工具并再次接通
闪光	电动工具已与移动终端设备连接或正在传输设置	–

连接功能

搭配Bluetooth® (蓝牙) Low Energy Module (低能耗模块) GCY 42 / GCY 42 NC，为电动工具提供以下连接功能：

- 注册和个性化设置
- 状态检查，警告信息输出
- 通用信息
- 管理
- 接通/关闭工作灯
- 设置工作灯亮度和余辉延续时间
- 设置用户界面亮度和余辉延续时间

有关蓝牙® Low Energy Module (低能耗模块) GCY 42 / GCY 42 NC的信息请见相应的使用说明。

工作提示

- ▶ 装入了Bluetooth® (蓝牙) 低能耗模块GCY 42 / GCY 42 NC (附件) 的电动工具配有一个无线接

精密离合器可以通过用户界面 (10)上的精密离合器键 (25)停用。通过用户界面 (10)上的精密离合器LED灯 (26)显示当前状态。

快速关断功能 (KickBack Control)



快速关断功能 (KickBack Control) 让用户能更好地控制电动工具，这样与不带KickBack Control的电动工具相比，能更好地保护用户。在电动工具的钻轴突然意外旋转时，自动关闭电动工具。

快速关断功能通过闪光的LED灯(21)、闪烁的工作灯(24)以及电动工具上闪光的KickBack Control LED灯(22)进行显示。

如要重新使用工具，松开电源开关，然后再次按压。

- ▶ 如果KickBack Control功能损坏，则无法接通电动工具。仅允许由具备资质的专业人员使用原装备件修理电动工具。

快速关断功能可以通过用户界面(10)上的KickBack Control键(23)停用。如果电动工具不使用的的大于5分钟或将充电电池取出，则快速关断功能再次自动接通。通过用户界面(10)上的KickBack Control LED灯(22)显示当前状态。

- ▶ 提示：LED警告灯并非在所有方向上均可见！强烈的阳光下很难看到警告灯。

口。必须注意本地运行限制，例如在飞机上或医院里。

- ▶ 先关闭电动工具，然后再放置在螺栓上。旋转的工具刀头可能会滑开。

腰带夹

使用腰带夹(7)可以把电动工具挂在例如腰带上。不但能够空出双手，而且可随时够到电动工具。

维修和服务

维护和清洁

- ▶ 对电动工具执行任何操作 (比如保养、更换刀具等) 前需将充电电池从电动工具中取出。意外操作起停开关可能会造成伤害。
- ▶ 电动工具和通气孔必须随时保持清洁，以确保工作效率和工作安全。

客户服务和应用咨询

本公司顾客服务处负责回答有关本公司产品的修理、维护和备件的问题。备件的展开图纸和信息也可查看：www.bosch-pt.com
博世应用咨询团队乐于就我们的产品及其附件问题提供帮助。

询问和订购备件时，务必提供机器铭牌上标示的10位数字物品代码。

中国大陆

博世电动工具（中国）有限公司
中国 浙江省 杭州市
滨江区 滨康路567号
102/1F 服务中心
邮政编码：310052
电话：(0571)8887 5566 / 5588
传真：(0571)8887 6688 x 5566# / 5588#
电邮：bsc.hz@cn.bosch.com
www.bosch-pt.com.cn

制造商地址：

Robert Bosch Power Tools GmbH
罗伯特·博世电动工具有限公司
70538 Stuttgart / GERMANY
70538 斯图加特 / 德国

其他服务地址请见：

www.bosch-pt.com/serviceaddresses

搬运

所推荐的锂离子充电电池必须符合危险物品法规。使用者无须另外使用保护包装便可以运送该充电电池。

但是如果将它交由第三者运送（例如：寄空运或委托运输公司）则要使用特殊的包装和标示。此时必须向危险物品专家请教有关寄送危险物品的相关事宜。

确定充电电池的外壳未受损后，才可以寄送充电电池。粘好未加盖的触点并包装好充电电池，不可以让充电电池在包装中晃动。必要时也得注意各国有关的法规。

处理废弃物



必须符合环保的方式，回收再利用损坏的电动工具、充电电池、附件和废弃的包装材料。



不可以把电动工具和充电电池/蓄电池丢入一般的家庭垃圾中！

充电电池/电池：

锂离子：

请注意“搬运”段落中的指示（参见“搬运”，页 58）确认设置。

有关中国的更多信息

CMIIT ID显示在蓝牙设备铭牌上

繁體中文

安全注意事項

電動工具一般安全注意事項

警告

請詳讀工作臺及電動工具的所有安全警告與使用說明。若不遵照以下列出的指示，將可能導致電擊、著火和 / 或人員重傷。

保存所有警告和說明書以備查閱。

在所有警告中，「電動工具」此一名詞泛指：以市電驅動的（有線）電動工具或是以電池驅動的（無線）電動工具。

工作場地的安全

- ▶ 保持工作場地清潔和明亮。混亂和黑暗的場地會引發事故。
- ▶ 不要在易爆環境，如有易燃液體、氣體或粉塵的環境下操作電動工具。電動工具產生的火花會點燃粉塵或氣體。
- ▶ 讓兒童和旁觀者離開後操作電動工具。注意力不集中會使您失去對工具的控制。

電氣安全

- ▶ 電動工具插頭必須與插座相配。絕不能以任何方式改裝插頭。需接地的電動工具不能使用任何轉換插頭。未經改裝的插頭和相配的插座將減少電擊危險。
- ▶ 避免人體接觸接地表面，如管道、散熱片和冰箱。如果您身體接地會增加電擊危險。
- ▶ 不得將電動工具暴露在雨中或潮濕環境中。水進入電動工具將增加電擊危險。
- ▶ 不得濫用電線。絕不能用電線搬運、拉動電動工具或拔出其插頭。使電線遠離熱源、油、銳利邊緣或移動零件。受損或纏繞的軟線會增加電擊危險。
- ▶ 當在戶外使用電動工具時，使用適合戶外使用的延長線。適合戶外使用的軟線，將減少電擊危險。
- ▶ 如果在潮濕環境下操作電動工具是不可避免的，應使用剩餘電流動作保護器（RCD）。使用RCD可降低電擊危險。

人身安全

- ▶ 保持警覺，當操作電動工具時關注所從事的操作並保持清醒。當您感到疲倦，或在有藥物、酒精或治療反應時，不要操作電動工具。在操作電動工具時瞬間的疏忽會導致嚴重人身傷害。
- ▶ 使用個人防護裝置。始終佩戴護目鏡。安全裝置，諸如適當條件下使用防塵面具、防滑安全鞋、安全帽、聽力防護等裝置能減少人身傷害。
- ▶ 防止意外起動。確保開關在連接電源和 / 或電池盒、拿起或搬運工具時處於關閉位置。手指放在已接通電源的開關上或開關處於接通時插入插頭可能會導致危險。

- ▶ 在電動工具接通之前，拿掉所有調節鑰匙或扳手。遺留在電動工具旋轉零件上的扳手或鑰匙會導致人身傷害。
- ▶ 手不要伸展得太長。時刻注意立足點和身體平衡。這樣在意外情況下能很好地控制電動工具。
- ▶ 著裝適當。不要穿寬鬆衣服或佩戴飾品。讓您的衣物及頭髮遠離運動部件。寬鬆衣服、佩飾或長髮可能會捲入運動部件中。
- ▶ 如果提供了與排屑、集塵設備連接用的裝置，要確保他們連接完好且使用得當。使用這些裝置可減少塵屑引起的危險。
- ▶ 切勿因經常使用工具所累積的熟練感而過度自信，輕忽工具的安全守則。任何一個魯莽的舉動都可能瞬間造成人員重傷。

電動工具使用和注意事項

- ▶ 不要濫用電動工具，根據用途使用適當的電動工具。選用適當設計的電動工具會使您工作更有效、更安全。
- ▶ 如果開關不能開啟或關閉工具電源，則不能使用該電動工具。不能用開關來控制的電動工具是危險的且必須進行修理。
- ▶ 在進行任何調整、更換配件或貯存電動工具之前，必須從電源上拔掉插頭並 / 或取出電池盒。這種防護性措施將減少工具意外起動的危險。
- ▶ 將閒置不用的電動工具貯存在兒童所及範圍之外，並且不要讓不熟悉電動工具或對這些說明不瞭解的人操作電動工具。電動工具在未經培訓的用戶手中是危險的。
- ▶ 保養電動工具與配備。檢查運動件是否調整到位或卡住，檢查零件破損情況和影響電動工具運行的其他狀況。如有損壞，電動工具應在使用前修理好。許多事故由維護不良的電動工具引發。
- ▶ 保持切削刀具鋒利和清潔。保養良好的有鋒利切削刃的刀具不易卡住而且容易控制。
- ▶ 按照使用說明書，考慮作業條件和進行的作業來使用電動工具、配件和工具的刀頭等。將電動工具用於那些與其用途不符的操作可能會導致危險。
- ▶ 把手及握持區應保持乾燥、潔淨，且不得沾染任何油液或油脂。易滑脫的把手及握持區將無法讓您在發生意外狀況時安全地抓緊並控制工具。

電池式工具使用和注意事項

- ▶ 只用製造商規定的充電器充電。將適用於某種電池盒的充電器用到其他電池盒時會發生著火危險。
- ▶ 只有在配有專用電池盒的情況下才使用電動工具。使用其他電池盒會發生損壞和著火危險。
- ▶ 當電池盒不用時，將它遠離其他金屬物體，例如回形針、硬幣、鑰匙、釘子、螺絲或其他小金屬物體，以防一端與另一端連接。電池端部短路會引起燃燒或火災。
- ▶ 在濫用條件下，液體會從電池中濺出；避免接觸。如果意外碰到了，用水沖洗。如果液體碰到了眼睛，還要尋求醫療幫助。從電池中濺出的液體會發生腐蝕或燃燒。

- ▶ 請勿使用已受損或經改裝的電池盒。已受損或經改裝的電池組可能出現無法預期的反應，進而導致著火、爆炸或造成人員受傷。
- ▶ 勿讓電池盒或工具靠近火源或暴露於異常溫度環境中。若是靠近火源或暴露在超過130 °C的環境中可能造成爆炸。
- ▶ 請完全遵照所有的充電說明，電池盒或工具的溫度若是超出指示的規定範圍，請勿進行充電。不當充電或是未在規定的溫度範圍內進行充電，皆可能造成電池損壞並面臨更高的著火風險。

檢修

- ▶ 將您的電動工具送交專業維修人員，必須使用同樣的備件進行更換。這樣將確保所維修的電動工具的安全性。
- ▶ 請勿自行檢修受損的電池盒。電池組應交由製造商或是獲得授權的服務供應商來進行檢修。

起子機安全注意事項

所有作業的安全說明

- ▶ 進行作業時，負責進行切割的配件或固定釘可能會碰觸到隱藏的配線，請從絕緣握把處拿持電動工具。負責進行切割的配件或固定釘若是觸及「導電」電線，可能導致電動工具外露的金屬部件「導電」，進而使操作人員遭受電擊。

使用長鑽頭的安全說明

- ▶ 切勿以超過鑽頭額定最高轉速的速度操作。若鑽頭未接觸工件且以超過最高轉速的速度無負載轉動，可能會讓鑽頭彎曲並導致人員受傷。
- ▶ 請務必以低速啟動並將鑽尖確實抵住工件。若鑽頭未接觸工件且以超過最高轉速的速度無負載轉動，可能會讓鑽頭彎曲並導致人員受傷。
- ▶ 請沿著鑽頭方向施加適當的壓力，切勿過度施壓。鑽頭可能會彎曲並造成斷裂、失控並導致人員受傷。

其他安全注意事項

- ▶ 固定好工件。使用固定裝置或老虎鉗固定工件，會比用手持握工件更牢固。
- ▶ 必須等待電動工具完全靜止後才能將它放下。嵌件工具可能卡住而使電動工具失控。
- ▶ 如果嵌件工具被夾住了，請立刻關閉電動工具的電源。請準備好承受反作用力所造成的反彈。電動工具過載時或當它在進行加工的工件內部歪斜時，都會造成嵌件工具被夾住不動。
- ▶ 使用合適的偵測裝置偵察隱藏的電線，或者向當地的相關單位尋求支援。接觸電線可能引起火災並讓操作者觸電。若損壞瓦斯管會引起爆炸。如果水管被刺穿會導致財物損失。
- ▶ 請牢牢握緊電動工具。旋緊與鬆開螺栓時，瞬間可能會有較大的反作用力。
- ▶ 如果充電電池損壞了，或者未按照規定使用充電電池，充電電池中會散發出有毒蒸氣。充電電池可能起火或爆炸。工作場所必須保持空氣流通，如果身體有任何不適必須馬上就醫。充電電池散發的蒸氣會刺激呼吸道。
- ▶ 切勿改裝拆開充電電池。可能造成短路。

- ▶ 尖銳物品 (例如釘子或螺絲起子) 或是外力皆有可能造成充電電池損壞。進而導致內部短路而發生電池起火、冒煙、爆炸或過熱等事故。
- ▶ 僅可在製造商的產品中使用充電電池。如此才可提供過載保護。



保護充電電池免受高溫 (例如長期日照)、火焰、污垢、水液和濕氣的侵害。有爆炸及短路之虞。



- ▶ 小心! 使用電動工具時若開啟藍牙® 功能, 將可能對其他裝置或設備、飛機以及醫療器材 (例如心律調節器、助聽器等) 產生干擾。同樣亦無法完全排除對鄰近之人員或動物造成身體危害的可能性。請勿在醫療器材、加油站、化學設備、爆炸危險場所以及易爆環境等處附近, 使用電動工具的藍牙® 功能。請勿在飛機上使用電動工具的藍牙® 功能。應避免直接貼靠在身體部位旁的長時間持續操作。

藍牙® 一詞及其標誌 (商標) 為 Bluetooth SIG, Inc. 所擁有之註冊商標。Robert Bosch Power Tools GmbH 對於此詞彙 / 標誌之任何使用均已取得授權。



警告



請確保鈕扣電池不會落入兒童手中。鈕扣電池相當危險。

- ▶ 不得吞食鈕扣電池或將之放入身體其他孔洞。若有誤食鈕扣電池之疑慮或是不小心讓它經由其他身體部位的開口進入體內, 請立刻就醫。若誤食鈕扣電池, 2 小時內便可能因體內嚴重腐蝕而致死。
- ▶ 更換鈕扣電池時請注意: 應按正確方式替換鈕扣電池。有爆炸危險。
- ▶ 僅能使用本操作說明書所列出的鈕扣電池。切勿使用其他鈕扣電池或供電裝置。
- ▶ 請勿將鈕扣電池重新充電或故意將它接成短路。鈕扣電池可能已非密封狀態, 有爆炸、燃燒之虞, 人員可能因此受傷。
- ▶ 請將已無電力的鈕扣電池取下並按照規定的程序進行廢棄處置。已無電力的鈕扣電池可能已非密封狀態, 產品有損壞之虞或者人員亦可能因此受傷。
- ▶ 勿讓鈕扣電池過熱, 禁止將它丟入火中。鈕扣電池可能已非密封狀態, 有爆炸、燃燒之虞, 人員可能因此受傷。
- ▶ 嚴禁破壞或拆開鈕扣電池。鈕扣電池可能已非密封狀態, 有爆炸、燃燒之虞, 人員可能因此受傷。
- ▶ 已受損的鈕扣電池不得接觸到水。外洩的鋰一接觸到水就會產生氫氣, 現場可能因而失火、爆炸或造成人員受傷。

產品和功率描述



請詳讀所有安全注意事項和指示。如未遵守安全注意事項與指示, 可能導致火災、人員遭受電擊及 / 或重傷。

請留意操作說明書中最前面的圖示。

依規定使用機器

此電動工具可用來轉入或放鬆螺絲, 並且可在木材、金屬及塑膠等材質上進行鑽孔。

本電動工具可搭配直角轉接頭 (GFA 18-W)、帶金屬鑽頭夾頭的直角轉接頭 (GFA 18-WM)、偏心轉接頭 (GFA 18-E)、夾頭轉接頭 (GFA 18-B)、金屬夾頭轉接頭 (GFA 18-M) 或錘鑽轉接頭 (GFA 18-H)。

電動工具若有搭載藍牙® Low Energy Module **GCY 42 / GCY 42 NC**, 即可透過藍牙® 無線技術, 與終端行動裝置傳輸資料和設定。

插圖上的機件

機件的編號和電動工具詳解圖上的編號一致。

- (1) 工具夾頭
 - (2) 鎖定套筒
 - (3) 預設扭力調整環
 - (4) 選檔開關
 - (5) 藍牙® Low Energy Module 的護蓋 **GCY 42 / GCY 42 NC**
 - (6) 工具頭夾持器^{a)}
 - (7) 腰帶夾^{a)}
 - (8) 池^{a)}
 - (9) 電池解鎖按鈕^{a)}
 - (10) 使用者介面
 - (11) 正逆轉開關
 - (12) 起停開關
 - (13) 把手 (絕緣握柄)
 - (14) 金屬夾頭轉接頭 GFA 18-M^{a)}
 - (15) 夾頭轉接頭 GFA 18-B^{a)}
 - (16) 直角轉接頭 GFA 18-W^{a)}
 - (17) 偏心轉接頭 GFA 18-E^{a)}
 - (18) 帶金屬鑽頭夾頭的直角轉接頭 GFA 18-WM^{a)}
 - (19) 錘鑽轉接頭 GFA 18-H^{a)}
 - (20) 止動轉環^{a)}
- 使用者介面**
- (21) 電動工具的狀態顯示器
 - (22) KickBack Control 的 LED
 - (23) KickBack Control 按鈕
 - (24) 工作燈 (LED)
 - (25) 精準離合器按鈕
 - (26) 精準離合器的 LED

a) 所述之配件並不包含在基本的供貨範圍中。

技術性數據

充電式電鑽起子機		GSR 18V-90 FC	GFA 18-M	GFA 18-W	GFA 18-E	GFA 18-WM
產品機號		3 601 JK6 2..	-	-	-	-
額定電壓	V=	18	-	-	-	-
無負載轉速 ^{A)}						
- 1 檔	次 / 分	0-630	-	-	-	-
- 2 檔	次 / 分	0-2,100	-	-	-	-
最大扭力 (軟) ^{A)}	Nm	36	-	-	-	-
最大扭力 (硬) ^{A)}	Nm	64	-	-	-	-
最大鑽孔直徑						
- 木材	mm	68	-	-	-	-
- 鋼材	mm	13	-	-	-	-
- 混凝土	mm	10	-	-	-	-
最大螺栓直徑	mm	12	-	-	-	-
工具夾頭	mm	6.35 ¼" 內六角	1.5-13	6.35 ¼" 內六角	6.35 ¼" 內六角	1.5-13
重量 ^{B)}	kg	1.3-2.3 ^{C)}	0.38	0.44	0.44	0.66
充電狀態下的建議環境溫度	°C	0... +35				
操作狀態下以及存放狀態下的容許環境溫度	°C	-20... +50				
建議使用的充電電池		GBA 18V... ProCORE18V...	-	-	-	-
建議使用的充電器		GAL 18... GAX 18... GAL 36...	-	-	-	-

A) 於 20-25 °C 配備充電電池 **GBA 18V 5.0Ah** 時測得。

B) 視所使用的充電蓄電池而定

C) 以 **GBA 18V 1.5Ah** 和 **GBA 18V 12.0Ah** 測量所得。

數值可能因產品而異，並受使用條件以及環境條件影響。進一步資訊請見 www.bosch-professional.com/wac。

充電電池

Bosch 亦販售不含充電電池的充電式電動工具。可以從外包裝看出電動工具的供貨範圍是否包括電池。

為充電電池進行充電

► 只能選用技術性數據裡所列出的充電器。僅有這些充電器適用於電動工具所使用的鋰離子充電電池。

提示：由於國際運輸規定，出貨時鋰離子充電電池已部分充電。初次使用電動工具之前，請先將充電電池充飽電以確保充電電池蓄滿電力。

安裝充電電池

將已充飽電的充電電池推至充電電池固定座內，直到卡緊。

取出充電電池

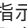
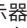
若要取出充電電池，請按解鎖鈕，然後將充電電池抽出。**不可以強行拉出充電電池。**

本充電電池具備了雙重鎖定功能，即使不小心按壓了充電電池解鎖按鈕，充電電池也不會從機器中掉落出來。固定彈簧會把充電電池夾緊在機器中。

充電電池的電量指示器

提示：並非所有的充電電池類型都有電量指示器。

充電電池的電量指示器透過綠色 LED 燈告知充電電池的目前電量。基於安全顧慮，務必在電動工具完全靜止時才能檢查充電電池的電量。

按一下電量指示器按鈕  或 , 即可顯示目前的電量。即使已取出充電電池，此項功能仍可正常運作。

按壓電量顯示按鈕後，LED 燈若未亮起，即表示充電電池故障，必須予以更換。

充電電池目前的電量也會顯示在使用者介面(參見「顯示目前狀態」, 頁 63)。

充電電池型號 GBA 18V...

LED	容量
3 顆綠燈持續亮起	60-100 %
2 顆綠燈持續亮起	30-60 %
1 顆綠燈持續亮起	5-30 %
1 顆綠燈呈閃爍狀態	0-5 %

充電電池型號 ProCORE18V...

LED	容量
5 顆綠燈持續亮起	80-100 %
4 顆綠燈持續亮起	60-80 %
3 顆綠燈持續亮起	40-60 %
2 顆綠燈持續亮起	20-40 %
1 顆綠燈持續亮起	5-20 %
1 顆綠燈呈閃爍狀態	0-5 %

如何正確地使用充電電池

妥善保護充電電池，避免濕氣和水分滲入。
 充電電池必須儲存在 -20 °C 至 50 °C 的環境中。
 夏天不可以把充電電池擱置在汽車中。
 偶爾用柔軟、乾淨且乾燥的毛刷清潔充電電池的通氣孔。
 充電後如果充電電池的使用時間明顯縮短，代表充電電池已經損壞，必須更換新的充電電池。
 請您遵照廢棄物處理相關指示。

安裝

▶ 在電動工具上進行任何作業之前（例如維修，更換工具等等），請將機器中的電池取出。若是小心觸動起停開關，可能造成人員受傷。

安裝藍牙® 低功率模組 GCY 42 / GCY 42 NC

如需 藍牙® Low Energy Module **GCY 42 / GCY 42 NC** 的相關資訊，請詳讀其操作說明書。

更換工具**安裝嵌件工具（請參考圖 A）**

將鎖定套筒 (2) 往後推，然後將嵌件工具轉進固定座 (1) 中。放開鎖定套筒 (2) 即可固定住嵌件工具的位置

取出嵌件工具

將鎖定套筒 (2) 往後推，接著便可將嵌件工具從固定座 (1) 中拔出。

安裝轉接頭（請參考圖 B）

請取下嵌件工具。
 將轉接頭裝入固定座 (1) 內。轉動止動轉環 (20)，直到聽見卡上的聲音。

將嵌件工具插入轉接頭內

GFA 18-E / GFA 18-W（請參考圖 C）：
 將鎖定套筒 (2) 往後推，然後將嵌件工具轉進固定座 (1) 中。放開鎖定套筒 (2) 即可固定住嵌件工具的位置

GFA 18-M / GFA 18-B / GFA 18-WM（請參考圖 D）：

往旋轉方向 ① 轉動即可打開夾頭轉接頭，請轉至嵌件工具能夠插入的程度。裝入嵌件工具。

往旋轉方向 ② 徒手用力轉緊夾頭轉接頭的套筒。這樣做夾頭才會自動上鎖。

旋轉轉接頭（GFA 18-W、GFA 18-E、GFA 18-WM）（請參考圖 E）

將轉接頭向前拉。將轉接頭旋轉至所需位置後放開，即可固定到位。轉接頭鎖定在 360 度的 16 個位置。

拆卸轉接頭（請參考圖 F）

請取下嵌件工具。

沿 方向將轉接頭解鎖，接著把它從固定座 (1) 上卸下。

吸除廢塵 / 料屑

含鉛的顏料及部分木材、礦物和金屬的加工廢塵有害健康。機器操作者或者工地附近的人如果接觸、吸入這些廢塵，可能會有過敏反應或者感染呼吸道疾病。

特定粉塵（例如加工橡木或山毛櫸的廢塵）可能致癌，特別是與處理木材的添加劑（例如木材的防腐劑等）混合之後。只有經過專業訓練的人才允許加工含石棉的物料。

- 工作場所要保持空氣流通。
- 建議佩戴 P2 濾網等級的口罩。

請留意並遵守貴國與加工物料有關的法規。

▶ **避免讓工作場所堆積過多的塵垢。** 塵埃容易被點燃。

操作**操作機器****調整旋轉方向（請參考圖 H）**

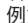
▶ **電動工具靜止時，才能操作正逆轉開關 (11)。**

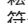
透過正逆轉開關 (11) 即可變更電動工具的旋轉方向。但按下起停開關 (12) 時，將無法這樣做。


正轉：若要旋入螺栓及旋緊螺母，請將正逆轉開關 (11) 往左推到底。

逆轉：若要鬆開或旋出螺栓與螺母，請將正逆轉開關 (11) 往右推到底。

預設扭力

預設扭力調整環 (3) 總共提供 20 段不同的扭力選擇，您可利用它來預設所需扭力。如果設定了合適的扭力，當螺栓在物料中一旋入至表面齊平後，或者說到達所設扭力之後，嵌件工具便會停止轉動。例如在鑽孔時設在  位置，即可停用過載離合器。

鬆開螺栓時，可選用較高設定值，或者請您設在  符號上。

在位置  可達鑽孔與拆裝螺絲的最大扭力。

機械式選檔

▶ 電動工具靜止時，才能操作選檔開關 (4)。

▶ 請務必將選檔開關完全推到底。否則可能造成電動工具損壞。

選檔開關 (4) 提供 2 種轉速範圍，供您選用。

選檔開關位置 (4)	轉速	扭力	應用範圍
1	低	高	適用於重型應用： 例如大直徑鑽孔和拆裝螺絲
2	高	低	適用於輕型應用： 例如小直徑鑽孔和拆裝螺絲

設定操作模式



鑽孔

將預設扭力調整環 (3) 移至「鑽孔」符號，以達到鑽孔與拆裝螺絲的最大扭力。



拆裝螺絲

將預設扭力調整環 (3) 設為所需扭力。

啟動 / 關閉

按下電源開關 (12) 不要放開，即可讓電動工具持續運轉。

輕按起停開關 (12) 或完全按下時，工作燈 (24) 隨即亮起，可照亮光線不足的工作區域。

調整轉速

您可為已啟動的電動工具無段調控轉速，轉速是由按壓起停開關 (12) 的深度而定。

顯示目前狀態

電動工具的狀態顯示	代表意義 / 原因	解決辦法
綠色	正常狀態	-
黃色	已達到臨界溫度、充電電池的電量即將用盡或 KickBack Control 已關閉	讓電動工具空轉並降溫冷卻、儘快更換充電電池或為其充電、或按下 KickBack Control 按鈕
亮起紅燈	電動工具過熱或充電電池的電量耗盡	讓電動工具降溫冷卻，或是更換充電電池或為其充電

輕按起停開關 (12) 時，轉速較低。逐漸在開關上加壓，轉速也會跟著提高。

溫控的過載保護裝置

只要按照規定使用，電動工具就不可能過載。負載過重或操作溫度已超出容許範圍時，電動工具將調降轉速或直接停機。待操作溫度降回至容許範圍，電動工具才會恢復為全速運轉。

溫控的過載保護裝置會透過電動工具上的紅色 LED 顯示。

- 為能重新回到容許的操作溫度範圍，請讓電動工具空轉運作或等待直到 LED 再次亮起綠燈。

當 LED 亮起綠燈，裝置即重新回到容許的操作溫度範圍。

使用者介面 (請參考圖 1)

使用者介面 (10) 可用來啟用和停用「Precision Clutch」精準離合器和「KickBack Control」快關功能以及示意電動工具在目前狀態。

精準離合器 (Precision Clutch)



精準離合器會在達到所設轉速時停止接合，藉此降低離合器的磨損和由此產生的噪音。

可在使用者介面 (10) 上以精準離合器按鈕 (25) 停用精準離合器。透過使用者介面 (10) 上的精準離合器 LED (26) 可得知目前狀態。

快關功能 (KickBack Control)



與未配備 KickBack Control 的電動工具相較之下，快關功能 (KickBack Control) 可讓您更容易掌控電動工具，因此操作人員的安全性也就隨之獲得更多保障。電動工具的鑽孔轉軸只要

一有非預期性的突旋旋轉動作，將立即停機。

在電動工具上會以閃爍的紅色 LED (21)、閃爍的工作燈 (24) 以及亮起紅燈的 KickBack Control LED (22) 來顯示快關功能。

此時若想繼續操作，則須先將起停開關放開後再重新按壓。

▶ 當 KickBack Control 功能故障時，不得再開啟電動工具。本電動工具僅可交由合格的專業技師以原廠替換零件進行維修。

可在使用者介面 (10) 上以 KickBack Control 按鈕 (23) 停用快關功能。當電動工具超過 5 分鐘未使用，或充電電池被取下時，快關功能將自動重新啟動。透過使用者介面 (10) 上的 KickBack Control LED (22) 可得知目前狀態。

▶ 提示：並非從所有方向都能看到 LED 的警示燈！在強烈的陽光下很難看到警示燈。

電動工具的狀態顯示	代表意義 / 原因	解決辦法
紅色閃爍	快關功能已觸發	關閉並再次啟動電動工具
藍色閃爍	電動工具已與行動終端裝置連線，或正在傳輸設定	-

連線後支援的功能

搭配使用藍牙® Low Energy Module **GCY 42 / GCY 42 NC** 時，電動工具連線後支援以下功能：

- 註冊及植入個人化設置
- 狀態檢測、發送警告訊息
- 一般資訊
- 管理
- 啟動與關閉工作燈
- 調整工作燈亮度及餘輝持續時間
- 調整使用者介面亮度及餘暉持續時間

如需 藍牙® Low Energy Module **GCY 42 / GCY 42 NC** 的相關資訊，請詳讀其操作說明書。

作業注意事項

- ▶ 搭載藍牙® 低功率模組 **GCY 42 / GCY 42 NC** (選配) 的電動工具上配有無線介面。請您務必遵守不同場所的使用限制條件，例如在飛機或醫院內。
- ▶ 電動工具應先停止運轉，然後才放到螺栓上。轉動中的嵌件工具可能會滑開。

腰帶夾

使用腰帶夾 (7) 即可把電動工具掛在腰帶上。如此不但能夠空出雙手而且電動工具亦隨手可及。

維修和服務

維修和清潔

- ▶ 在電動工具上進行任何作業之前 (例如維修，更換工具等等)，請將機器中的電池取出。若是不小心觸動起停開關，可能造成人員受傷。
- ▶ 電動工具和通風口都必須保持清潔，這樣才能夠提高工作品質和安全性。

顧客服務處和顧客諮詢中心

本公司顧客服務處負責回答有關本公司產品的維修、維護和備用零件的問題。以下的網頁中有分解圖和備用零件相關資料：www.bosch-pt.com 如果對本公司產品及其配件有任何疑問，博世應用諮詢小組很樂意為您提供協助。

當您需要諮詢或訂購備用零件時，請務必提供本產品型號銘牌上 10 位數的產品機號。

台灣進口商

台灣羅伯特博世股份有限公司
建國北路一段90號6樓
台北市10491
電話: (02) 7734 2588
傳真: (02) 2516 1176
www.bosch-pt.com.tw

制造商地址:

Robert Bosch Power Tools GmbH
羅伯特·博世電動工具有限公司
70538 Stuttgart / GERMANY
70538 斯圖加特/德國

以下更多客戶服務處地址:

www.bosch-pt.com/serviceaddresses

搬運

建議使用的鋰離子充電電池受危險物品法的規範。使用者無須另外使用保護包裝便可運送該充電電池。

但是如果將它交由第三者運送 (例如: 寄空運或委託運輸公司)，則應遵照包裝與標示的相關要求。此時必須向危險物品專家請教有關寄送危險物品的相關事宜。

確定充電電池的外殼未受損後，才可以寄送充電電池。用膠帶貼住裸露的接點並妥善包裝充電電池，不可以讓充電電池在包裝材料中晃動。同時也應留意各國相關法規。

廢棄物處理



必須以符合環保的方式，將損壞的電動工具、充電電池、配件和包裝材料進行回收再利用。



不可以把電動工具和充電電池 / 拋棄式電池丟入一般家庭垃圾中!

充電電池 / 拋棄式電池:

鋰離子:

請注意「搬運」段落中的指示 (參見「搬運」, 頁 64)。

有關台灣的更多資訊

NCC 警語 低功率射頻器材管理辦法:

取得審驗證明之低功率射頻器材，非經核准，公司、商號或使用者均不得擅自變更頻率、加大功率或變更原設計之特性及功能。低功率射頻器材之使用不得影響飛航安全及干擾合法通信；經發現有干擾現象時，應立即停用，並改善至無干擾時方得繼續使用。前述合法通信，指依電信管理法規定作業之無線電通信。低功率射頻器材須忍受合法通信或工業、科學及醫療用電波輻射性電機設備之干擾。

ไทย

คำเตือนเพื่อความปลอดภัย

คำเตือนเพื่อความปลอดภัยทั่วไปสำหรับเครื่องมือไฟฟ้า

คำเตือน อ่านคำเตือนเพื่อความปลอดภัย คำแนะนำ สภาพประกอบ และข้อมูล

จำเพาะทั้งหมดที่จัดส่งมาพร้อมกับเครื่องมือไฟฟ้า การไม่ปฏิบัติตามคำแนะนำทั้งหมดที่ระบุไว้ด้านล่างนี้อาจทำให้ถูกไฟฟ้าดูด เกิดไฟไหม้ และ/หรือได้รับบาดเจ็บอย่างร้ายแรง

เก็บรักษาคำเตือนและคำสั่งทั้งหมดสำหรับเปิดอ่านในภายหลัง

คำว่า "เครื่องมือไฟฟ้า" ในคำเตือนหมายถึง เครื่องมือไฟฟ้าของท่านที่ทำงานด้วยพลังงานไฟฟ้าจากแหล่งจ่ายไฟหลัก (มีสายไฟฟ้า) และเครื่องมือไฟฟ้าที่ทำงานด้วยพลังงานไฟฟ้าจากแบตเตอรี่ (ไร้สาย)

ความปลอดภัยในสถานที่ทำงาน

- ▶ รักษาสถานที่ทำงานให้สะอาดและมีไฟส่องสว่างดี สถานที่ที่มีมืดหรือรกรุงรังนำมาซึ่งอุบัติเหตุ
- ▶ อย่าใช้เครื่องมือไฟฟ้าทำงานในสภาพบรรยากาศที่จุดติดไฟได้ เช่น ในที่มีขี้ของเหลวไวไฟ ก๊าซ หรือฝุ่น เมื่อใช้เครื่องมือไฟฟ้าจะเกิดประกายไฟซึ่งอาจจุดฝุ่นหรือไอให้ลุกเป็นไฟได้
- ▶ ขณะใช้เครื่องมือไฟฟ้าทำงาน ต้องกั้นเด็กและผู้ยืนดูให้ออกห่าง การหันเหความสนใจอาจทำให้ท่านขาดการควบคุมเครื่องได้

ความปลอดภัยเกี่ยวกับไฟฟ้า

- ▶ ปลั๊กของเครื่องมือไฟฟ้าต้องเหมาะสมพอดีกับเต้าเสียบ อย่าดัดแปลงปลั๊กไม่ว่าในลักษณะใดๆ อย่างเด็ดขาด อย่าใช้ปลั๊กฟิวส์ต่อใดๆ กับเครื่องมือไฟฟ้าที่มีสายดิน ปลั๊กที่ไม่ดัดแปลงและเต้าเสียบที่เข้ากันช่วยลดความเสี่ยงจากการถูกไฟฟ้าดูด
- ▶ หลีกเลี่ยงอย่าให้ร่างกายสัมผัสกับพื้นผิวที่ต่อสายดินหรือลงกราวด์ไว้ เช่น ท่อ เครื่องทำความร้อน เตา และตู้เย็น จะเสี่ยงอันตรายจากการถูกไฟฟ้าดูดมากขึ้นหากกระแสไฟฟ้าวิ่งผ่านร่างกายของท่านลงดิน
- ▶ อย่าให้เครื่องมือไฟฟ้าถูกฝนหรืออยู่ในสภาพเปียกชื้น หากนำเข้าไปในเครื่องมือไฟฟ้า จะเพิ่มความเสี่ยงจากการถูกไฟฟ้าดูด
- ▶ อย่าใช้สายไฟฟ้าในทางที่ผิด อย่าใช้สายไฟฟ้าเพื่อยก ดึง หรือถอยปลั๊กเครื่องมือไฟฟ้า กับสายไฟฟ้าออกจากจากความร้อน น้ำมัน ขอบแหลมคม หรือชิ้นส่วนที่เคลื่อนที่ สายไฟฟ้าที่ชำรุดหรือพันกันยุ่งเพิ่มความเสี่ยงจากการถูกไฟฟ้าดูด
- ▶ เมื่อใช้เครื่องมือไฟฟ้าทำงานกลางแจ้ง ให้ใช้สายไฟต่อที่เหมาะสมสำหรับการใช้งานกลางแจ้ง การใช้สายไฟ

ต่อที่เหมาะสมสำหรับงานกลางแจ้ง ช่วยลดอันตรายจากการถูกไฟฟ้าดูด

- ▶ หากไม่สามารถหลีกเลี่ยงการใช้เครื่องมือไฟฟ้าทำงานในสถานที่เปียกชื้นได้ ให้ใช้สวิทช์ตัดวงจรเมื่อเกิดการรั่วไหลของไฟฟ้าจากสายดิน (RCD) การใช้สวิทช์ตัดวงจรเมื่อเกิดการรั่วไหลของไฟฟ้าจากสายดินช่วยลดความเสี่ยงต่อการถูกไฟฟ้าดูด

ความปลอดภัยของบุคคล

- ▶ ท่านต้องอยู่ในสภาพเตรียมพร้อม ระมัดระวังในสิ่งที่ท่านกำลังทำอยู่ และมีสติขณะใช้เครื่องมือไฟฟ้าทำงาน อย่าใช้เครื่องมือไฟฟ้าขณะที่ท่านกำลังเหนื่อย หรืออยู่ภายใต้การครอบงำของฤทธิ์ของยาเสพติด แอลกอฮอล์ และยา เมื่อใช้เครื่องมือไฟฟ้าทำงาน ในช่วงเวลาที่ท่านขาดความเอาใจใส่อาจทำให้บุคคลบาดเจ็บอย่างรุนแรงได้
 - ▶ ใช้อุปกรณ์ปกป้องร่างกาย สวมแว่นตานิยมป้องกันเสมอ อุปกรณ์ปกป้อง เช่น หน้ากากกันฝุ่น รองเท้ากันลื่น หมวกแข็ง หรือประคบหูกันเสียงดังที่ใช้ตามความเหมาะสมกับสภาพการทำงาน จะลดการบาดเจ็บทางร่างกาย
 - ▶ ป้องกันการติดเครื่องโดยไม่ตั้งใจ ตรวจสอบให้แน่ใจว่าสวิทช์อยู่ในตำแหน่งปิดก่อนเชื่อมต่อเข้ากับแหล่งจ่ายไฟ และ/หรือแบตเตอรี่แพ็ค ยกหรือถือเครื่องมือ การถือเครื่องมือโดยใช้นิ้วหัวที่สวิทช์ หรือเสียบปลั๊กไฟฟ้าขณะสวิทช์เปิดอยู่ อาจนำไปสู่อันตรายที่ร้ายแรงได้
 - ▶ นำเครื่องมือปรับแต่งหรือประแจปากคายนอกก่อนเปิดสวิทช์เครื่องมือไฟฟ้า เครื่องมือหรือประแจปากคายนอกที่วางอยู่กับส่วนหนึ่งของเครื่องมือที่กำลังหมุนจะทำให้บุคคลบาดเจ็บได้
 - ▶ อย่าเอื้อมไกลเกินไป ตั้งท้ายที่นั่งคนและวางน้ำหนักให้สมดุลตลอดเวลา ในลักษณะนี้ท่านสามารถควบคุมเครื่องมือไฟฟ้าในสถานการณ์ที่ไม่คาดคิดได้ดีกว่า
 - ▶ แต่งกายอย่างเหมาะสม อย่าใส่เสื้อผ้าหลวมหรือสวมเครื่องประดับ เหน็บและเสื้อผาออกจากชิ้นส่วนที่เคลื่อนที่ เสื้อผ้าหลวม เครื่องประดับ และผมยาวอาจเข้าไปติดในชิ้นส่วนที่เคลื่อนที่
 - ▶ หากเครื่องมือไฟฟ้ามีข้อเชื่อมต่อกับเครื่องดูดฝุ่นหรือเครื่องเก็บผง ให้ตรวจสอบให้แน่ใจว่าได้เชื่อมต่อและใช้งานอย่างถูกต้อง การใช้ข้ออุปกรณ์ดูดฝุ่นช่วยลดอันตรายที่เกิดจากฝุ่นได้
 - ▶ เมื่อใช้งานเครื่องมือบ่อยครั้งจะเกิดความคุ้นเคย อย่าให้ความคุ้นเคยทำให้ท่านเกิดความซื่อเลอะและละเลยกฎเกณฑ์ด้านความปลอดภัยในการใช้งานเครื่อง การทำงานอย่างไม่ระมัดระวังอาจทำให้เกิดการบาดเจ็บอย่างร้ายแรงภายในเสี้ยววินาที
- #### การใช้และการดูแลรักษาเครื่องมือไฟฟ้า
- ▶ อย่างพินกำลังเครื่องมือไฟฟ้า ใช้เครื่องมือไฟฟ้าที่ถูกต้องตรงตามลักษณะงานของท่าน เครื่องมือไฟฟ้าที่ถูกต้องจะทำงานได้ดีกว่าและปลอดภัยกว่าในระดับสมรรถภาพที่ออกแบบไว้
 - ▶ อย่าใช้เครื่องมือไฟฟ้าถ้าสวิทช์ไม่สามารถเปิดปิดได้ เครื่องมือไฟฟ้าที่ไม่สามารถควบคุมการเปิดปิดด้วยสวิทช์ได้ เป็นเครื่องมือไฟฟ้าที่ไม่ปลอดภัยและต้องส่งซ่อมแซม

- ▶ **ก่อนปรับแต่งเครื่อง** เปลี่ยนอุปกรณ์ประกอบ หรือเก็บเครื่องเข่าที่ ต้องถอดปลั๊กออกจากแหล่งจ่ายไฟ และ/หรือ ถอดแบตเตอรี่แพ็คเกจออกจากเครื่องมือไฟฟ้าหากถอดออกได้ มาตรการป้องกันเพื่อความปลอดภัยนี้ช่วยลดความเสี่ยงจากการติดเครื่องโดยไม่ตั้งใจ
- ▶ **เมื่อเลิกใช้งานเครื่องมือไฟฟ้า** ให้เก็บเครื่องมือในที่ที่เด็กหยิบไม่ถึง และไมอนุญาตให้บุคคลที่ไม่คุ้นเคยกับเครื่องมือบุคคลที่ไม่ได้อ่านคำแนะนำนำเหล่านี้ใช้เครื่อง เครื่องมือไฟฟ้าเป็นของอันตรายหากตกอยู่ในมือของผู้ใช้ที่ไม่ได้รับการฝึกฝน
- ▶ **บำรุงรักษาเครื่องมือไฟฟ้าและอุปกรณ์ประกอบ** ตรวจสอบชิ้นส่วนที่เคลื่อนที่ต่างๆ ไม่ตรงแนวหรือติดขัดหรือไม่ ตรวจสอบการแตกหักของชิ้นส่วนและสภาพอื่นใดที่อาจมีผลต่อการทำงานของเครื่องมือไฟฟ้า หากชำรุดต้องส่งเครื่องมือไฟฟ้าไปซ่อมแซมก่อนใช้งาน อุบัติเหตุหลายอย่างเกิดขึ้นเนื่องจากดูแลรักษาเครื่องไม่ดีพอ
- ▶ **รักษาเครื่องมือตัดให้คมและสะอาด** หากบำรุงรักษาเครื่องมือที่มีขอบตัดแหลมคมอย่างถูกต้อง จะสามารถตัดได้ลื่นไม่ติดขัดและควบคุมได้ง่ายกว่า
- ▶ **ใช้เครื่องมือไฟฟ้า อุปกรณ์ประกอบ เครื่องมือ และอุปกรณ์อื่น ๆ** ตรงตามคำแนะนำเหล่านี้ โดยคำนึงถึงเงื่อนไขการทำงานและงานที่จะทำ การใช้เครื่องมือไฟฟ้าทำงานที่ต่างไปจากวัตถุประสงค์การใช้งานของเครื่อง อาจนำไปสู่สถานการณ์ที่เป็นอันตรายได้
- ▶ **ดูแลคัมจับและพื้นผิวจับให้แห้ง สะอาด และปราศจากคราบน้ำมันและจาระบี** ตามจับและพื้นผิวจับที่ลื่นทำให้หยิบจับได้ไม่ปลอดภัย และไม่สามารถควบคุมเครื่องมือในสถานการณ์ที่ไม่คาดคิด

การใช้และการดูแลรักษาเครื่องที่ใช้แบตเตอรี่

- ▶ **ชาร์จไฟใหม่ด้วยเครื่องชาร์จที่บริษัทผู้ผลิตระบุไว้เท่านั้น** เครื่องชาร์จที่เหมาะสมสำหรับชาร์จแบตเตอรี่แพ็คเกจประเภทนี้ หากนำไปชาร์จแบตเตอรี่แพ็คเกจประเภทอื่น อาจเกิดไฟไหม้ได้
- ▶ **ใช้เครื่องมือไฟฟ้าเฉพาะกับแบตเตอรี่แพ็คเกจที่กำหนดไว้เท่านั้น** การใช้แบตเตอรี่แพ็คเกจประเภทอื่นเสี่ยงต่อการเกิดไฟไหม้หรือบาดเจ็บ
- ▶ **เมื่อไม่ใช้งานแบตเตอรี่แพ็คเกจ ให้เก็บไว้ห่างวัตถุที่เป็นโลหะอื่นๆ** เช่น คลิปหนีบกระดาษ เหรียญ กุญแจ ตะปู สกรู หรือวัตถุที่เป็นโลหะขนาดเล็กอื่นๆ ที่สามารถเชื่อมต่อนขั้วหนึ่งไปยังอีกขั้วหนึ่งได้ การลัดวงจรของขั้วแบตเตอรี่อาจทำให้เกิดการไหม้หรือลัดได้
- ▶ **หากใช้แบตเตอรี่อย่างอาจมีของเหลวไหลออกมาจากแบตเตอรี่ได้** ให้หลีกเลี่ยงการสัมผัส หากสัมผัสโดยบังเอิญให้ใช้ผ้าล้าง หากของเหลวเขาตา ให้ขอความช่วยเหลือจากแพทย์ด้วย ของเหลวที่ไหลออกมาจากแบตเตอรี่อาจทำให้เกิดอาการคันหรือแสบผิวหนังได้
- ▶ **อย่าใช้แบตเตอรี่แพ็คเกจหรือเครื่องมือที่ชำรุดหรือดัดแปลง** แบตเตอรี่ที่ชำรุดหรือดัดแปลงอาจแสดงอาการที่ไม่สามารถคาดเดาได้ ส่งผลให้เกิดไฟไหม้ ระเบิด หรือความเสี่ยงต่อการได้รับบาดเจ็บ

- ▶ **อย่าให้แบตเตอรี่แพ็คเกจหรือเครื่องมือสัมผัสไฟหรืออุณหภูมิที่สูงเกินไป** หากสัมผัสไฟหรืออุณหภูมิที่สูงกว่า 130 °C อาจทำให้เกิดการระเบิดได้
- ▶ **ปฏิบัติตามคำแนะนำเกี่ยวกับการชาร์จทั้งหมด และต้องไม่ชาร์จแบตเตอรี่แพ็คเกจหรือเครื่องมือ** นอกช่วงอุณหภูมิที่กำหนดในคำแนะนำ การชาร์จแบตเตอรี่อย่างไม่ถูกวิธีหรือนอกช่วงอุณหภูมิที่กำหนด อาจทำให้แบตเตอรี่เสียหายและเพิ่มความเสี่ยงต่อการเกิดไฟไหม้

การบริการ

- ▶ **ส่งเครื่องมือไฟฟ้าของท่านเข้ารับบริการ** จากร่างซ่อมที่มีคุณสมบัติเหมาะสม โดยใส่ของไหลที่เหมือนกันเท่านั้น ในลักษณะนี้ท่านจะแน่ใจได้ว่าเครื่องมือไฟฟ้าอยู่ในสภาพที่ปลอดภัย
- ▶ **อย่าบำรุงรักษาแบตเตอรี่แพ็คเกจที่ชำรุดอย่างเด็ดขาด** ต้องส่งไปบริษัทผู้ผลิตหรือศูนย์บริการที่ได้รับอนุญาตทำการบำรุงรักษาแบตเตอรี่แพ็คเกจเท่านั้น

คำเตือนเพื่อความปลอดภัยสำหรับไขควง

คำเตือนเพื่อความปลอดภัยสำหรับการทำงานทั้งหมด

- ▶ **เมื่อทำงานในบริเวณที่อุปกรณ์ตัดหรือสกรูอาจสัมผัสสายไฟฟ้าที่ซ่อนอยู่** ต้องจับเครื่องมือไฟฟ้าตรงพื้นผิวจับที่หุ้มฉนวน หากอุปกรณ์ตัดหรือสกรูสัมผัสสายที่ “มีกระแสไฟฟ้า” ไหลผ่านจะทำให้ชิ้นส่วนโลหะที่ไม่มีการป้องกันของเครื่องมือไฟฟ้าเกิด “มีกระแสไฟฟ้า” ด้วย และส่งผลให้ผู้ใช้งานเครื่องถูกไฟฟ้าดูดได้

คำเตือนเพื่อความปลอดภัยเมื่อใช้ดอกสว่านยาว

- ▶ **อย่าทำงานด้วยความเร็วที่สูงกว่าอัตราความเร็วสูงสุดของดอกสว่าน** ที่ความเร็วที่สูงกว่า ดอกสว่านอาจโค้งงอเมื่อปล่อยให้หมุนอย่างอิสระโดยไม่สัมผัสชิ้นงาน และส่งผลให้ได้รับบาดเจ็บทางร่างกาย
- ▶ **เริ่มต้นเจาะด้วยความเร็วต่ำและให้ปลายดอกสว่านสัมผัสชิ้นงานเสมอ** ที่ความเร็วที่สูงกว่า ดอกสว่านอาจโค้งงอเมื่อปล่อยให้หมุนอย่างอิสระโดยไม่สัมผัสชิ้นงาน และส่งผลให้ได้รับบาดเจ็บทางร่างกาย
- ▶ **ไขแรงกดให้ตรงกับแนวดอกสว่านเท่านั้นและอย่าไขแรงกดมากเกินไป** ดอกสว่านอาจโค้งงอทำให้แตกหักหรือสูญเสียการควบคุม และส่งผลให้ได้รับบาดเจ็บทางร่างกาย

คำแนะนำเพื่อความปลอดภัยเพิ่มเติม

- ▶ **ยึดชิ้นงานให้แน่น** การยึดชิ้นงานด้วยเครื่องหนีบหรือแท่นจับจะมั่นคงกว่าการยึดด้วยมือ
- ▶ **รอให้เครื่องมือไฟฟ้าหยุดสนิทก่อนวางเครื่องลงบนพื้น** เครื่องมือที่ปล่อยอาจติดขัดและทำให้สูญเสียการควบคุมเครื่องมือไฟฟ้า
- ▶ **ปิดสวิทช์เครื่องมือไฟฟ้าทันทีหากเครื่องมือติดขัด** ให้เตรียมพร้อมสำหรับปฏิกิริยาแรงบิดสูงซึ่งเป็นเหตุให้เกิดการตีกลับ เครื่องมือจะติดขัดเมื่อเครื่องมือไฟฟ้าถูกใช้งานเกินกำลังหรือเครื่องมือถูกบีบอัดอยู่ในชิ้นงาน
- ▶ **ใช้เครื่องตรวจจับที่เหมาะสมเพื่อตรวจหาสายไฟฟ้าหรือท่อสาธารณูปโภคที่อาจซ่อนอยู่ในบริเวณทำงาน** หรือติดอุปกรณ์สาธารณูปโภคในพื้นที่เพื่อขอความช่วยเหลือ การสัมผัสกับสายไฟฟ้าอาจทำให้เกิดไฟไหม้หรือถูกไฟฟ้าดูด

- การทำให้ท่อแก๊สเสียหายอาจทำให้เกิดระเบิด การเจาะเขาในท่อน้ำ ทำให้ทรัพย์สินเสียหาย
- ▶ **จับเครื่องมือไฟฟ้าให้แน่น** ขณะขันสกรูเข้าและคลายออก อาจเกิดแรงยึดสะทอนขงวสัต่างๆ อย่างรุนแรงได้
 - ▶ **เมื่อแบตเตอรี่ชาร์จและนำไปใช้งานอย่างไม่ถูกต้องอาจมีไอระเหยออกมาได้** แบตเตอรี่อาจเผาไหม้หรือระเบิดได้ให้สูดอากาศบริสุทธิ์และไปพบแพทย์ในกรณีเจ็บปวด ไอระเหยอาจทำให้ระบบหายใจระคายเคือง
 - ▶ **ห้ามเปลี่ยนแปลงและเปิดแบตเตอรี่แบบชาร์จได้** อันตรายจากการลัดวงจร
 - ▶ **วัตถุที่แหลมคม ต. ย. เช่น ตะปูหรือไขควง หรือแรงกระทำภายนอก อาจทำให้แบตเตอรี่เสียหายได้** สิ่งเหล่านี้อาจทำให้เกิดการลัดวงจรภายในและแบตเตอรี่ใหม่ มีควันระเบิด หรือร้อนเกินไป
 - ▶ **ใช้เฉพาะแบตเตอรี่จากผลิตภัณฑ์ของผู้ผลิต** ในลักษณะนี้ แบตเตอรี่แพคเกจจะได้รับการปกป้องจากการใช้งานเกินกำลังซึ่งเป็นอันตราย



ปกป้องแบตเตอรี่จากความร้อน รวมทั้ง ต. ย. เช่น จากการถูกแสงแดดส่องต่อเมือง จากไฟสิ่งสกปรก น้ำ และความชื้น อันตรายจากการระเบิดและการลัดวงจร



- ▶ **ระวัง! การใช้เครื่องมือไฟฟ้าพร้อม Bluetooth® อาจรบกวนอุปกรณ์และเครื่องมืออื่นๆ เครื่องบิน และอุปกรณ์ทางการแพทย์ (เช่น เครื่องกระตุ้นหัวใจ เครื่องช่วยฟัง) นอกจากนี้ยังอาจเกิดความเสียหายต่อคนและสัตว์ในบริเวณใกล้เคียงด้วย** อย่าใช้เครื่องมือไฟฟ้าพร้อม Bluetooth® ใกล้อุปกรณ์ทางการแพทย์ สถานีบริการน้ำมัน โรงงานสารเคมี พื้นที่ที่มีบรรยากาศเสียงต่อการระเบิด และพื้นที่ปฏิบัติการระเบิด อย่าใช้เครื่องมือไฟฟ้าพร้อม Bluetooth® ในเครื่องมือ หลีกเลี่ยงการทำงานเป็นระยะเวลานานตรงบริเวณใกล้เคียงโดยตรง

เครื่องหมายขอความ Bluetooth® และยี่ห้อเป็นเครื่องหมายการค้าจดทะเบียนและเป็นกรรมสิทธิ์ของ Bluetooth SIG, Inc. บริษัท Robert Bosch Power Tools GmbH ได้รับใบอนุญาตใช้งานเครื่องหมายขอความ/โลโก้ดังกล่าว



คำเตือน



ตรวจสอบให้แน่ใจว่าได้เก็บถ่านกระตุ้นให้พื้นมือเด็กแล้ว ถ่านกระตุ้น อันตราย

- ▶ **ห้ามไม่ให้ถ่านกระตุ้นเข้าไปในช่องเปิดของร่างกาย หากสงสัยว่าใดกลืนถ่านกระตุ้นหรือถ่านกระตุ้นถูกใส่เข้าไปในช่องเปิดของร่างกาย ให้รีบไปพบแพทย์ทันที** การกลืนถ่านกระตุ้นสามารถทำให้เกิดผลใหม่ภายในอย่างรุนแรงภายใน 2 ชั่วโมงและอาจนำไปสู่ความตายได้
- ▶ **เมื่อเปลี่ยน ให้ตรวจสอบให้แน่ใจว่าได้เปลี่ยนถ่านกระตุ้นอย่างถูกต้อง** อันตรายจากการระเบิด
- ▶ **ใช้เฉพาะถ่านกระตุ้นที่ระบุไว้ในคู่มือการใช้งานนี้เท่านั้น** อย่าใช้ถ่านกระตุ้นอื่นๆ หรือแหล่งไฟพลังงานประเภทอื่น

- ▶ **อย่าพยายามชาร์จถ่านกระตุ้นอีกครั้ง และอย่าลัดวงจรถ่านกระตุ้น** ถ่านกระตุ้นอาจรั่วไหล ระเบิด เผาไหม้ และทำให้บุคคลบาดเจ็บได้
- ▶ **นำถ่านกระตุ้นที่หมดไฟแล้วออกมา และนำไปกำจัดอย่างถูกต้อง** ถ่านกระตุ้นที่หมดไฟแล้วอาจรั่วไหล และส่งผลเสียหายต่อผลิตภัณฑ์หรือทำให้บุคคลบาดเจ็บได้
- ▶ **อย่าให้ถ่านกระตุ้นร้อนมากเกินไป และอย่าโยนเข้ากองไฟ** ถ่านกระตุ้นอาจรั่ว ระเบิด ไหม้ และทำให้บุคคลบาดเจ็บได้
- ▶ **อย่าทำให้อ่างถ่านกระตุ้นเสียหาย และอย่าถอดถ่านกระตุ้นออกจากกัน** ถ่านกระตุ้นอาจรั่ว ระเบิด ไหม้ และทำให้บุคคลบาดเจ็บได้
- ▶ **อย่านำถ่านกระตุ้นที่เสียหายไปสัมผัสกับน้ำ** ลิเทียมที่ออกมาแล้วสัมผัสกับน้ำสามารถผลิตไฮโดรเจนได้ และด้วยเหตุนี้จึงทำให้เกิดไฟไหม้ ระเบิด หรือบุคคลบาดเจ็บได้

รายละเอียดผลิตภัณฑ์และข้อมูลจำเพาะ



อ่านคำเตือนเพื่อความปลอดภัยและคำแนะนำทั้งหมด การไม่ปฏิบัติตามคำเตือนและคำสั่ง อาจเป็นสาเหตุใหญ่ถูกไฟฟ้าดูด เกิดไฟไหม้ และ/หรือได้รับบาดเจ็บอย่างร้ายแรง

กรุณาดูภาพประกอบในส่วนหน้าของคู่มือการใช้งาน

ประโยชน์การใช้งานของเครื่อง

เครื่องมือไฟฟ้านี้ใช้สำหรับขันและคลายสกรู และสำหรับเจาะไม้ โลหะ และพลาสติก เครื่องมือไฟฟ้านี้สามารถใช้ร่วมกับอะแดปเตอร์มุมฉาก (GFA 18-W), อะแดปเตอร์มุมฉากพร้อมตัวจับดอกโลหะ (GFA 18-WM), อะแดปเตอร์เชื่อมศูนย์ (GFA 18-E), อะแดปเตอร์หัวจับดอกสว่าน (GFA 18-B), อะแดปเตอร์หัวจับดอกโลหะ (GFA 18-M) หรืออะแดปเตอร์สว่านเจาะกระแทก (GFA 18-H)

เมื่อมี Bluetooth® Low Energy Module GCY 42 / GCY 42 NC ใส่อยู่ท่านจะสามารถถ่ายโอนข้อมูลและการตั้งค่าของเครื่องมือไฟฟ้าระหว่างเครื่องมือไฟฟ้าและอุปกรณ์เคลื่อนที่ปลายทางผ่านเทคโนโลยีไร้สาย Bluetooth®

ส่วนประกอบที่แสดงภาพ

ลำดับเลขของส่วนประกอบผลิตภัณฑ์อ้างอิงถึงส่วนประกอบของเครื่องมือไฟฟ้าที่แสดงในหน้าภาพประกอบ

- (1) ตัวจับยึดเครื่องมือ
- (2) ปลอกล็อก
- (3) แหวนตั้งแรงบิดล่วงหน้า
- (4) สวิตช์เลือกเกียร์
- (5) ฝาครอบโมดูล Bluetooth® Low Energy GCY 42 / GCY 42 NC
- (6) ที่ใส่ดอกไขควง³⁾
- (7) คลิปเข็มขัด³⁾
- (8) แบตเตอรี่แบบชาร์จได้³⁾
- (9) แป้นปลดล็อกแบตเตอรี่แบบชาร์จได้³⁾

- (10) อินเทอร์เน็ตผู้ใช้
 (11) สวิตช์ปรับทิศทางการหมุน
 (12) สวิตช์เปิด-ปิด
 (13) ด้ามจับ (พื้นผิวจับหุ้มฉนวน)
 (14) อะแดปเตอร์หัวจับโลหะ GFA 18-M^{a)}
 (15) อะแดปเตอร์หัวจับดอกสว่าน GFA 18-B^{a)}
 (16) อะแดปเตอร์มุมฉาก GFA 18-W^{a)}
 (17) อะแดปเตอร์เยื้องศูนย์ GFA 18-E^{a)}
 (18) อะแดปเตอร์มุมฉากพร้อมด้วยหัวจับดอกโลหะ GFA 18-WM^{a)}
- (19) อะแดปเตอร์สว่านเจาะกระแทก GFA 18-H^{a)}
 (20) แหวนล็อค^{a)}
อินเทอร์เน็ตผู้ใช้
 (21) ไฟแสดงสถานะเครื่องมือไฟฟ้า
 (22) LED สำหรับ KickBack Control
 (23) ปุ่มสำหรับ KickBack Control
 (24) ไฟส่องบริเวณทำงาน (LED)
 (25) ปุ่มคลัตช์ความเที่ยงตรงสูง
 (26) ไฟ LED สำหรับคลัตช์ความเที่ยงตรงสูง
- a) อุปกรณ์เสริมนี้ไม่อยู่ในรายการอุปกรณ์มาตรฐานที่จัดส่ง

ข้อมูลทางเทคนิค

ส่วน/ไขควงไร้สาย		GSR 18V-90 FC	GFA 18-M	GFA 18-W	GFA 18-E	GFA 18-WM
หมายเลขสินค้า		3 601 JK6 2..	-	-	-	-
แรงดันไฟฟ้ากัก	V=	18	-	-	-	-
ความเร็วรอบเดินเครื่องเปล่า ^{A)}						
- เกียร์ 1	นาที ₋₁	0-630	-	-	-	-
- เกียร์ 2	นาที ₋₁	0-2100	-	-	-	-
แรงบิดสูงสุด (อ่อน) ^{A)}	นิวตันเมตร	36	-	-	-	-
แรงบิดสูงสุด (แข็ง) ^{A)}	นิวตันเมตร	64	-	-	-	-
Ø สูงสุดในการเจาะ						
- ไม้	มม.	68	-	-	-	-
- เหล็กกล้า	มม.	13	-	-	-	-
- คอนกรีต	มม.	10	-	-	-	-
Ø สูงสุดของสกรู	มม.	12	-	-	-	-
ตัวจับยึดเครื่องมือ	มม.	6.35 เบ้าหกเหลี่ยม ¼ นิ้ว	1.5-13	6.35 เบ้าหกเหลี่ยม ¼ นิ้ว	6.35 เบ้าหกเหลี่ยม ¼ นิ้ว	1.5-13
น้ำหนัก ^{B)}	กก.	1.3-2.3 ^{C)}	0.38	0.44	0.44	0.66
อุณหภูมิโดยรอบที่แนะนำเมื่อชาร์จ	°C	0 ... +35				
อุณหภูมิโดยรอบที่อนุญาตเมื่อใช้งานและระหว่างการเก็บรักษา	°C	-20 ... +50				
แบตเตอรี่แบบชาร์จได้ที่แนะนำ		GBA 18V... ProCORE18V...	-	-	-	-

ส่วน/ไขควงไร้สาย	GSR 18V-90 FC	GFA 18-M	GFA 18-W	GFA 18-E	GFA 18-WM
เครื่องชาร์จที่แนะนำ	GAL 18... GAX 18... GAL 36...	-	-	-	-

A) ค่าในการวัด ณ อุณหภูมิ 20–25 °C พร้อมแบตเตอรี่ GBA 18V 5.0Ah

B) ขึ้นอยู่กับแบตเตอรี่แพ็คที่ใช้

C) วัสดุขั้ว GBA 18V 1.5Ah และ GBA 18V 12.0Ah

ค่าอาจแตกต่างกันไปตามผลิตภัณฑ์และขึ้นอยู่กับเงื่อนไขการใช้งานและสภาพแวดล้อม โปรดดูข้อมูลเพิ่มเติมที่เว็บไซต์ www.bosch-professional.com/wac

แบตเตอรี่

Bosch จำหน่ายเครื่องมือไฟฟ้าไร้สายไม่รวมแบตเตอรี่แพ็คด้วยเช่นกัน คุณสามารถดูได้จากบรรจุภัณฑ์ว่า ขอบเขตการจัดส่งเครื่องมือไฟฟ้าของคุณมีแบตเตอรี่แพ็คหรือไม่

การชาร์จแบตเตอรี่

► **ใช้เฉพาะเครื่องชาร์จแบตเตอรี่ที่ระบุในข้อมูลทางเทคนิคเท่านั้น** เฉพาะเครื่องชาร์จแบตเตอรี่เหล่านี้เท่านั้นที่เข้าชุดกับแบตเตอรี่ลิเธียม ไอออน ของเครื่องมือไฟฟ้าของท่าน

หมายเหตุ: แบตเตอรี่ลิเธียมไอออนถูกจัดส่งโดยมีการชาร์จไฟบางส่วนตามระเบียบข้อบังคับตามการขนส่งระหว่างประเทศ เพื่อให้แน่ใจว่าแบตเตอรี่จะทำงานได้อย่างสมบูรณ์แบบ ก่อนใช้งานครั้งแรกให้ชาร์จแบตเตอรี่จนเต็ม

การใส่แบตเตอรี่

ใส่แบตเตอรี่ที่ชาร์จแล้วเข้าในด้ามจับจนรู้สึกเข้าล็อก

การถอดแบตเตอรี่

เมื่อต้องการถอดแบตเตอรี่แพ็คออก ให้กดปุ่มปลดล็อกแบตเตอรี่และดึงแบตเตอรี่แพ็คออกจากเครื่องมือไฟฟ้า **อย่าใช้กำลังดึง**

แบตเตอรี่แพ็คมีการล็อก 2 ระดับเพื่อป้องกันไม่ให้แบตเตอรี่แพ็คร่วงหลุดออกมาหากกดปุ่มปลดล็อกแบตเตอรี่โดยไม่ตั้งใจ เมื่อแบตเตอรี่ถูกบรรจุอยู่ในเครื่องมือไฟฟ้า สปริงจะยึดแบตเตอรี่ให้เข้าตำแหน่ง

ไฟแสดงสถานะการชาร์จแบตเตอรี่

หมายเหตุ: ไม่ใช่แบตเตอรี่ทุกประเภทที่จะมีไฟแสดงระดับการชาร์จ

ไฟ LED สีเขียวของการแสดงสถานะการชาร์จแบตเตอรี่แสดงสถานะการชาร์จของแบตเตอรี่ ด้วยเหตุผลด้านความปลอดภัยที่ท่านสามารถตรวจสอบสถานะการชาร์จเฉพาะเมื่อเครื่องมือไฟฟ้าหยุดสนิทเท่านั้น

กดปุ่มสำหรับไฟแสดงสถานะการชาร์จแบตเตอรี่ ☺ หรือ ☹ เพื่อแสดงสถานะการชาร์จ ท่านสามารถกดได้เมื่อใดถอดแบตเตอรี่ออกแล้ว

หลังจากกดปุ่มสำหรับไฟแสดงสถานะการชาร์จแบตเตอรี่แล้ว ไฟ LED ไม่ติดขึ้น แสดงว่าแบตเตอรี่รับพร้อมและต้องเปลี่ยนใหม่

สถานะการชาร์จแบตเตอรี่จะปรากฏบน User Interface (ดู "ไฟแสดงสถานะ", หน้า 71)

แบตเตอรี่ชนิด GBA 18V...



LED	ความจุ
ไฟส่องสว่างต่อเนื่อง 3× สีเขียว	60–100 %
ไฟส่องสว่างต่อเนื่อง 2× สีเขียว	30–60 %
ไฟส่องสว่างต่อเนื่อง 1× สีเขียว	5–30 %
ไฟกะพริบ 1× สีเขียว	0–5 %

แบตเตอรี่ชนิด ProCORE18V...



LED	ความจุ
ไฟส่องสว่างต่อเนื่อง 5× สีเขียว	80–100 %
ไฟส่องสว่างต่อเนื่อง 4× สีเขียว	60–80 %
ไฟส่องสว่างต่อเนื่อง 3× สีเขียว	40–60 %
ไฟส่องสว่างต่อเนื่อง 2× สีเขียว	20–40 %
ไฟส่องสว่างต่อเนื่อง 1× สีเขียว	5–20 %
ไฟกะพริบ 1× สีเขียว	0–5 %

ข้อแนะนำในการปฏิบัติต่อแบตเตอรี่อย่างเหมาะสมที่สุด

ปกป้องแบตเตอรี่จากความชื้นและน้ำ

เก็บรักษาแบตเตอรี่แพ็คในช่วงอุณหภูมิ -20 °C ถึง 50 °C เท่านั้น อย่าวางแบตเตอรี่แพ็คไว้ในรถยนต์ในช่วงฤดูร้อน

ทำความสะอาดช่องระบายอากาศเป็นครั้งคราวโดยใช้แปรงขนอ่อนที่แห้งและสะอาด

หลังจากชาร์จแบตเตอรี่แล้ว หากแบตเตอรี่แพ็คมีช่วงเวลาทำงานสั้นมาก แสดงว่าแบตเตอรี่แพ็คเสื่อมและต้องเปลี่ยนใหม่

อ่านและปฏิบัติตามข้อสังเกตสำหรับการกำจัดขยะ

การติดตั้ง

► โปรดถอดแบตเตอรี่แบบชาร์จได้ออกจากเครื่องมือไฟฟ้าก่อนการทำงานทุกประเภทที่เครื่องมือไฟฟ้า (เช่น การบำรุงรักษา การเปลี่ยนเครื่องมือ เป็นต้น) เนื่องจากการลัด

งานสวิตช์เปิด/ปิดโดยไม่ได้ตั้งใจขณะทำงานดังกล่าวอาจก่อให้เกิดความเสี่ยงต่อการบาดเจ็บได้

การใส่ Bluetooth® Low Energy Module GCY 42 / GCY 42 NC

สำหรับข้อมูลเกี่ยวกับโมดูล Bluetooth® Low Energy Module GCY 42 / GCY 42 NC กรุณาอ่านหนังสือคู่มือการใช้งานที่เกี่ยวข้อง

การเปลี่ยนเครื่องมือ

การใส่เครื่องมือ (ดูภาพประกอบ A)

เลื่อนปลอกสำหรับลอค (2) ไปทางด้านหลังและจับเครื่องมือหมุนใส่เข้าในด้ามจับ (1) ปล่อยให้หัวจากปลอกสำหรับลอค (2) เพื่อลอคเครื่องมือ

การเอาเครื่องมือออก

เลื่อนปลอกสำหรับลอค (2) ไปทางด้านหลังและดึงเครื่องมือออกจากด้ามจับ (1)

การติดตั้งอะแดปเตอร์ (ดูภาพประกอบ B)

ถอดเครื่องมือออก

เสียบอะแดปเตอร์เข้าในด้ามจับ (1) หมุนแหวนลอค (20) จนได้ยินเสียงเข้าลอค

การใส่เครื่องมือเข้าในอะแดปเตอร์

GFA 18-E/GFA 18-W (ดูภาพประกอบ C):

เลื่อนปลอกสำหรับลอค (2) ไปทางด้านหลังและจับเครื่องมือหมุนใส่เข้าในด้ามจับ (1) ปล่อยให้หัวจากปลอกสำหรับลอค (2) เพื่อลอคเครื่องมือ

GFA 18-M/GFA 18-B/GFA 18-WM (ดูภาพประกอบ D):

เปิดอะแดปเตอร์หัวจับดอกโดยหมุนไปทิศทางการหมุน ① จนสามารถใส่เครื่องมือได้ ใส่เครื่องมือเข้าใน
ใช้มือหมุนปลอกของอะแดปเตอร์หัวจับดอกไปทิศทางการหมุน ② เข้าให้แน่น ในลักษณะนี้หัวจับดอกจะถูกลอคโดยอัตโนมัติ

การหมุนอะแดปเตอร์ (GFA 18-W, GFA 18-E, GFA 18-WM) (ดูภาพประกอบ E)

ดึงอะแดปเตอร์มาทางด้านหน้า หมุนอะแดปเตอร์ไปยังตำแหน่งที่ต้องการ จากนั้นปล่อยให้ลอคของอะแดปเตอร์ให้เข้าที่ อะแดปเตอร์สามารถลอคเข้าได้ใน 16 ตำแหน่งที่กระจายอยู่ภายในรอบมุม 360 องศา

การถอดอะแดปเตอร์ (ดูภาพประกอบ F)

ถอดเครื่องมือออก

ปลดลอคอะแดปเตอร์ในทิศทาง ③ และดึงออกจากด้ามจับ (1)

การดูดฝุ่น/ซีลื้อ

ฝุ่นที่ได้จากวัสดุ เช่น เคลือบผิวที่มีสารตะกั่ว ไม้ยางประเภท แรชชูด และโลหะ อาจเป็นอันตรายต่อสุขภาพ การสัมผัสหรือการหายใจเอาฝุ่นเข้าไปอาจทำให้เกิดปฏิกิริยาแพ้ฝุ่น และ/หรือนำมาซึ่งโรคติดเชื้อระบบหายใจแก่ผู้ใช้เครื่องหรือผู้ที่ยืนอยู่ใกล้เคียง

ฝุ่นบางประเภท เช่น ฝุ่นไม้โอ๊ก หรือไม้บีช นับเป็นสารที่ทำให้เกิดมะเร็ง โดยเฉพาะอย่างยิ่งเมื่อผสมกับสารเติมแต่งเพื่อบำบัดไม้ (โครเมต ผลิตภัณฑ์รักษาเนื้อไม้) สำหรับวัสดุที่มีแอลเบสทอสตองให้ผู้เชี่ยวชาญทำงานเท่านั้น

- จัดสถานที่ทำงานให้มีการระบายอากาศที่ดี
- ขอแนะนำให้สวมหน้ากากป้องกันการติดเชื้อที่มีระดับ-ใส่กรอง P2

ปฏิบัติตามกฎข้อบังคับสำคัญอื่นๆ ที่เกี่ยวข้องกับวัสดุซึ่งงานที่บังคับใช้ในประเทศของท่าน

- ▶ **ป้องกันการสะสมของฝุ่นในสถานที่ทำงาน** ฝุ่นสามารถลกลกใหม่อย่างง่ายดาย

การปฏิบัติงาน

การเริ่มต้นปฏิบัติงาน

การตั้งทิศทางการหมุน (ดูภาพประกอบ H)

- ▶ **กระดุมสวิตช์เปลี่ยนทิศทางการหมุน (11) เมื่อเครื่องหยุดสนิทเท่านั้น**

ท่านสามารถเปลี่ยนทิศทางการหมุนของเครื่องมือไฟฟ้าได้โดยสวิตช์เปลี่ยนทิศทางการหมุน (11) อย่างไรก็ตาม หากสวิตช์เปิด-ปิด (12) ถูกกดอยู่ จะกลับทิศทางการหมุนไม่ได้

การหมุนทางขวา: สำหรับการเจาะและการขันสกรูเข้า ให้กดสวิตช์เปลี่ยนทิศทางการหมุน (11) ไปทางซ้ายจนสุด

การหมุนทางซ้าย: สำหรับคลายหรือหมุนสกรูและนอตออก ให้กดสวิตช์เปลี่ยนทิศทางการหมุน (11) ไปทางขวาจนสุด

การตั้งแรงบิด

ท่านสามารถเลือกแรงบิดที่ต้องการล่วงหน้าได้ 20 ขั้นด้วยแหวนตั้งแรงบิดล่วงหน้า (3) หากตั้งไว้ถูกต้อง เครื่องมือที่ใส่อยู่จะหยุดในทันทีที่สกรูถูกขันเข้าในเมื่อวัสดุอย่างราบเรียบแล้ว หรือหยุดเมื่อถึงแรงบิดที่ตั้งไว้ ในตำแหน่ง ④ คลัทช์นิรภัยจะไม่ทำงาน ต. ย. เช่น สำหรับการเจาะ

เมื่อต้องการขันสกรูออก ให้เลือกค่าที่สูงขึ้นหรือสับสวิตช์ไปที่สัญลักษณ์ ⑤

ในตำแหน่ง ④ ค่าแรงบิดจะถึงระดับสูงสุดสำหรับการเจาะและการขันสกรู

การตั้งเกียร์ ระบบกลไก

- ▶ **สับสวิตช์ตั้งเกียร์ (4) เมื่อเครื่องหยุดนิ่งอยู่กับที่เท่านั้น**
 - ▶ **คันสวิตช์ตั้งเกียร์ไปจนสุดเสมอ** มิฉะนั้นเครื่องอาจชำรุดได้
- ปุ่มตั้งเกียร์ (4) สามารถตั้งความเร็วรอบล่วงหน้าได้สองช่วง

ตำแหน่งสวิตช์เลือกเกียร์ (4)	ความเร็วรอบ	แรงบิด	ขอบเขตการใช้งาน
1	ต่ำ	สูง	สำหรับการใช้งานหนัก: เช่น การเจาะและการขันสกรูที่มีเส้นผ่านศูนย์กลางขนาดใหญ่
2	สูง	ต่ำ	สำหรับการใช้งานเบา:

ตำแหน่งสวิทช์เลือกเกียร์ รอบ	ความเร็ว แรงบิด	ขอบเขตการใช้งาน
(4)		เช่น การเจาะและ การขันสกรูที่มีเส้นผ่านศูนย์กลางขนาดเล็ก

การตั้งโหมดทำงาน



การเจาะ

ตั้งแหวนปรับแรงบิดล่วงหน้า (3) ไว้ที่สัญลักษณ์ "การเจาะ" เพื่อให้ได้อัตราแรงบิดสูงสุดสำหรับการเจาะและการขันสกรู



การขันสกรู

ตั้งแหวนปรับแรงบิดล่วงหน้า (3) ไปยังระดับแรงบิดที่ต้องการ

การเปิด-ปิดเครื่อง

สวิตช์เครื่องมือไฟฟ้าโดยกดสวิทช์เปิด-ปิด (12) และกดค้างไว้

ไฟส่องบริเวณทำงาน (24) จะส่องสว่างเมื่อกดสวิทช์เปิด-ปิด (12) เมฆา หรือเต็มที และช่วยเพิ่มความสว่างในบริเวณทำงานภายใต้สภาพแสงที่ไม่เอื้ออำนวย

การปรับความเร็วรอบ

ท่านสามารถปรับความเร็วรอบของเครื่องมือไฟฟ้าที่เปิดสวิทช์อยู่ได้อย่างต่อเนื่องตามแรงกดมากน้อยบนสวิทช์เปิด-ปิด (12)

การกดสวิทช์เปิด-ปิด (12) เมฆาจะไ้ความเร็วรอบต่ำ การกดสวิทช์แรงยิ่งขึ้นจะไ้ความเร็วรอบสูงขึ้น

การป้องกันการใช้งานเกินกำลังโดยอาศัยอุณหภูมิจ

หากใช้งานเครื่องมือไฟฟ้าอย่างถูกต้องตรงตามวัตถุประสงค์ เครื่องจะไม่มีภาระมากเกินไป หากเครื่องมือไฟฟ้าถูกใช้งานเกินกำลังหรือไม่อยู่ในช่วงอุณหภูมิทำงานที่อนุญาต ความเร็วรอบจะลดลงหรือเครื่องจะปิดสวิทช์ เครื่องมือไฟฟ้าจะทำงานด้วยความเร็วรอบเต็มที่อีกครั้งเฉพาะเมื่อถึงอุณหภูมิทำงานที่อนุญาตแล้วเท่านั้น

การป้องกันการโอเวอร์โหลดขึ้นอยู่กับอุณหภูมิจะแสดงด้วย LED ที่ติดสว่างเป็นสีแดง บนเครื่องมือไฟฟ้า

- เพื่อให้ได้ช่วงอุณหภูมิการทำงานที่อนุญาตอีกครั้ง ให้ใช้เครื่องมือไฟฟ้าเมื่อไม่ได้ใช้งานหรือรอจนกว่าไฟ LED จะสว่างเป็นสีเขียวอีกครั้ง

ไฟแสดงสถานะ

ไฟแสดงสถานะเครื่องมือน	ความหมาย/สาเหตุ	วิธีแก้ปัญหา
สีเขียว	สถานะ OK	-
สีแดง	อุณหภูมิถึงขั้นวิกฤติหรือแบตเตอรี่ใกล้หมด หรือ KickBack Control ปิดใช้งานอยู่	ปล่อยให้เครื่องมือไฟฟ้าทำงานในโหมดว่างและปล่อยให้เย็นลง สลับ หรือชาร์จแบตเตอรี่ภายในใหม่ฯ หรือกดปุ่ม KickBack Control
ส่องสว่างสีแดง	เครื่องมือไฟฟ้าร้อนเกินไปหรือแบตเตอรี่หมดประจุ	ปล่อยให้เครื่องมือไฟฟ้าเย็นลง สลับหรือชาร์จแบตเตอรี่

เมื่อไฟ LED เป็นสีเขียว แสดงว่าอุปกรณ์ถึงช่วงอุณหภูมิการทำงานที่อนุญาตอีกครั้ง

อินเตอร์เฟสผู้ใช้ (รูปภาพประกอบ 1)

อินเตอร์เฟสผู้ใช้ (10) เพื่อเปิดใช้งานและปิดใช้งาน "Precision Clutch" และ "KickBack Control" การปิดอย่างรวดเร็ว เช่นเดียวกับการแสดงสถานะของเครื่องมือไฟฟ้า

Precision Clutch



Precision Clutch จะหยุดโอเวอร์ลอคเมื่อถึงแรงบิดที่ตั้งไว้ ซึ่งจะช่วยลดการสึกหรอของคลัตช์และเสียงรบกวนที่เกิดขึ้น

คลัตช์ความเที่ยงตรงสูงสามารถปิดใช้งานได้ที่อินเตอร์เฟสผู้ใช้ (10) ด้วยปุ่มคลัตช์ความเที่ยงตรงสูง (25) สถานะปัจจุบันจะแสดงผ่านไฟ LED สำหรับคลัตช์ความเที่ยงตรงสูง (26) ที่อินเตอร์เฟสผู้ใช้ (10)

การปิดระบบอย่างรวดเร็ว (Kickback Control)



การปิดระบบอย่างรวดเร็ว (KickBack Control) ช่วยให้สามารถควบคุมเครื่องมือไฟฟ้าได้ดียิ่งขึ้นและปกป้องผู้ใช้งานมากยิ่งขึ้นเมื่อเทียบกับเครื่องมือไฟฟ้าที่ไม่มี KickBack Control เมื่อเครื่องมือไฟฟ้าหมุนรอบแกนส่วนอย่างฉับพลันและไม่คาดคิด เครื่องมือไฟฟ้าจะปิดสวิทช์

การปิดระบบอย่างรวดเร็วจะแสดงด้วยไฟ LED (21), ไฟกะพริบของไฟทำงาน (24) และไฟ LED สีแดงสำหรับ KickBack Control (22) จะแสดงบนเครื่องมือไฟฟ้า เมื่อต้องการเริ่มต้นทำงานอีกครั้งให้ปล่อยนิ้วจากสวิทช์เปิด-ปิดและกดสวิทช์อีกครั้ง

- ▶ หากฟังก์ชันการควบคุมแรงสั่นสะเทือน (KickBack Control) ชั่วครู่ จะไม่สามารถเปิดเครื่องมือไฟฟ้าได้อีกต่อไป ส่งเครื่องมือวัดให้ช่างผู้เชี่ยวชาญตรวจสอบและซ่อมแซมโดยเปลี่ยนของแทนเท่านั้น

สามารถปิดใช้งานการปิดระบบอย่างรวดเร็วที่อินเตอร์เฟสผู้ใช้ (10) ด้วยปุ่ม KickBack Control (23) หากไม่ไ้ใช้เครื่องมือไฟฟ้ามากกว่า 5 นาที หรือหากถอดแบตเตอรี่ออก การปิดระบบอย่างรวดเร็วจะเปิดขึ้นอีกครั้งโดยอัตโนมัติ สถานะปัจจุบันจะแสดงผ่านไฟ KickBack Control-LED (22) ที่อินเตอร์เฟสผู้ใช้ (10)

- ▶ **หมายเหตุ: ไม่สามารถมองเห็นไฟเตือนได้จากทุกทิศทาง! ไฟเตือนมองเห็นได้จากทุกแสงแดดจ้า**

ไฟแสดงสถานะเครื่องมือไฟฟ้า	ความหมาย/สาเหตุ	วิธีแก้ปัญหา
กะพริบสีแดง	การปิดระบบอย่างรวดเร็วถูกเรียกใช้งาน	เปิดสวิตช์เครื่องมือไฟฟ้าอีกครั้ง
กะพริบสีฟ้า	เครื่องมือไฟฟ้าเชื่อมต่อกับอุปกรณ์เคลื่อนที่ปลายทางหรือกำลังถ่ายโอนการตั้งค่า	-

ฟังก์ชันการเชื่อมต่อ

เมื่อใช้ร่วมกับ *Bluetooth® Low Energy Module GCY 42 / GCY 42 NC* จะมีฟังก์ชันการเชื่อมต่อต่อไปนี้สำหรับเครื่องมือไฟฟ้า:

- การลงทะเบียนและตั้งค่าส่วนบุคคล
- การตรวจสอบสถานะและการส่งออกข้อความแจ้งเตือน
- ข้อมูลทั่วไป
- การจัดการ
- การเปิด/ปิดไฟทำงาน
- การปรับความสว่างและระยะเวลาส่องสว่างของไฟทำงาน
- การตั้งค่าความสว่างและความคงอยู่ของอินเทอร์เฟซผู้ใช้สำหรับข้อมูลเกี่ยวกับโมดูล *Bluetooth® Low Energy Module GCY 42 / GCY 42 NC* กรุณาอ่านหนังสือคู่มือการใช้งานที่เกี่ยวข้อง

ข้อแนะนำในการทำงาน

- ▶ เครื่องมือไฟฟ้าที่มี *Bluetooth® โมดูล Low Energy GCY 42 / GCY 42 NC (อุปกรณ์ประกอบ)* ใต้อยู่มีการติดต่อสื่อสารแบบไร้สายที่ไซคลีนวิทวู ต้องปฏิบัติตามข้อจำกัดในการทำงานในท้องถิ่น ด. ย. เช่น ในเครื่องบิน หรือโรงพยาบาล
- ▶ จับเครื่องมือไฟฟ้าวางบนสกรูเมื่อเครื่องปิดอยู่เท่านั้น เครื่องมือที่หมุนอยู่อาจลื่นไถล

คลิปเสริมชุด

ท่านสามารถใช้คลิปเสริมชุด (7) เพื่อแขวนเครื่องมือไฟฟ้า ด. ย. เช่น บนเข็มขัด จากนั้นท่านจะมีมือว่างทั้งสองข้าง และสามารถหยิบจับเครื่องมือไฟฟ้าได้ตลอดเวลา

การบำรุงรักษาและการบริการ

การบำรุงรักษาและการทำความสะอาด

- ▶ โปรดถอดแบตเตอรี่แบบชาร์จได้ออกจากเครื่องมือไฟฟ้าก่อนการทำงานทุกประเภทที่เครื่องมือไฟฟ้า (เช่น การบำรุงรักษา การเปลี่ยนเครื่องมือ เป็นต้น) เนื่องจากการสั่งงานสวิตช์เปิด/ปิดโดยไม่ตั้งใจขณะทำงานดังกล่าวอาจก่อให้เกิดความเสี่ยงต่อการบาดเจ็บได้
- ▶ เพื่อให้ทำงานได้อย่างถูกต้องและปลอดภัย ต้องรักษาเครื่องและช่องระบายอากาศให้สะอาดอยู่เสมอ

การบริการหลังการขายและการให้คำปรึกษาการใช้ งาน

ศูนย์บริการหลังการขายของเรายินดีตอบคำถามของท่านที่เกี่ยวกับการบำรุงรักษาและการซ่อมแซมผลิตภัณฑ์รวมทั้งเรื่องอะไหล่ ภาพเขียนแบบการประกอบและข้อมูลเกี่ยวกับอะไหล่ กรุณาดูใน: www.bosch-pt.com

ทีมงานที่ปรึกษาของ บอช ยินดีให้ข้อมูลเกี่ยวกับผลิตภัณฑ์ของเราและอุปกรณ์ประกอบต่างๆ เมื่อต้องการสอบถามและสั่งซื้ออะไหล่ กรุณาแจ้งหมายเลขสินค้า 10 หลักบนแผนป้ายรุ่นของผลิตภัณฑ์ทุกครั้ง

ไทย

ไทย บริษัท โรเบิร์ต บอช จำกัด
เอพวยไอ เซ็นเตอร์ อาคาร 1 ชั้น 5
เลขที่ 2525 ถนนพระราม 4
แขวงคลองเตย เขตคลองเตย กรุงเทพฯ 10110

โทร: +66 2012 8888
แฟกซ์: +66 2064 5800

www.bosch.co.th

ศูนย์บริการซ่อมและฝึกอบรม บอช
อาคาร ลาซาลทาวเวอร์ ชั้น G ห้องเลขที่ 2
บ้านเลขที่ 10/11 หมู่ 16
ถนนศรีนครินทร์ ตำบลบางแก้ว อำเภอบางพลี
จังหวัดสมุทรปราการ 10540

ประเทศไทย
โทรศัพท์ 02 7587555

โทรสาร 02 7587525

สามารถดูที่อยู่ศูนย์บริการอื่นๆ ได้ที่:

www.bosch-pt.com/serviceaddresses

การขนส่ง

แบตเตอรี่ลิเธียมไอออนที่แนะนำให้ใช้ อยู่ภายใต้ข้อกำหนดแห่งกฎหมายสินค้าอันตราย ผู้ใช้สามารถขนส่ง แบตเตอรี่แบบชาร์จได้บนเส้นทางถนนโดยไม่มีข้อบังคับเพิ่มเติม

สำหรับการจัดส่งโดยบุคคลที่สาม (เช่น: การขนส่งทางอากาศหรือตัวแทนขนส่งสินค้า) จำเป็นต้องปฏิบัติตามข้อกำหนดพิเศษเกี่ยวกับการบรรจุภัณฑ์และการติดฉลาก สำหรับการจัดส่งเตรียมสิ่งของที่จะจัดส่ง จำเป็นต้องปรึกษาผู้เชี่ยวชาญด้านวัตถุอันตราย ส่งแบตเตอรี่แพ็คเมื่อตัวหุ้มไม่ชำรุดเสียหายเท่านั้น ใช้แถบกาวพันมิดหน้าสัมผัสที่เปิดอยู่ และนำแบตเตอรี่แพ็คใส่กล่องบรรจุโดยไม่ให้เคลื่อนไปมาในกล่องใด นอกจากนี้ กรุณาปฏิบัติตามกฎระเบียบของประเทศซึ่งอาจมีรายละเอียดเพิ่มเติม

การกำจัดขยะ



เครื่องมือไฟฟ้า แบตเตอรี่แพ็ค อุปกรณ์ประกอบ และที่บด ต้องนำไปแยกประเภทวัสดุเพื่อนำกลับมาใช้ใหม่โดยไม่ทำลายสภาพแวดล้อม



อย่าทิ้งเครื่องมือไฟฟ้าและแบตเตอรี่แพ็ค/
แบตเตอรี่ที่นำกลับมาชาร์จใหม่ได้ ลงในขยะ
บ้าน!

แบตเตอรี่แพ็ค/แบตเตอรี่:

ลิเธียม ไอออน:

กรุณายกปฏิบัติตามคำแนะนำในบทการขนส่ง (ดู "การขนส่ง",
หน้า 72)

Bahasa Indonesia

Petunjuk Keselamatan

Petunjuk keselamatan umum untuk perkakas listrik

⚠ PERINGATAN Baca semua peringatan, petunjuk, ilustrasi, dan spesifikasi

keselamatan yang diberikan bersama perkakas listrik ini. Kesalahan dalam menjalankan petunjuk di bawah ini dapat mengakibatkan sengatan listrik, kebakaran, dan/atau cedera serius.

Simpanlah semua peringatan dan petunjuk untuk penggunaan di masa mendatang.

Istilah "perkakas listrik" dalam peringatan mengacu pada perkakas listrik yang dioperasikan dengan listrik (menggunakan kabel) atau perkakas listrik yang dioperasikan dengan baterai (tanpa kabel).

Keamanan tempat kerja

- ▶ **Jaga kebersihan dan pencahayaan area kerja.** Area yang berantakan atau gelap dapat memicu kecelakaan.
- ▶ **Jangan mengoperasikan perkakas listrik di lingkungan yang dapat memicu ledakan, seperti adanya cairan, gas, atau debu yang mudah terbakar.** Perkakas listrik dapat memancarkan bunga api yang kemudian mengakibatkan debu atau uap terbakar.
- ▶ **Jauhkan dari jangkauan anak-anak dan pengamat saat mengoperasikan perkakas listrik.** Gangguan dapat menyebabkan hilangnya kendali.

Keamanan listrik

- ▶ **Steker perkakas listrik harus sesuai dengan stopkontak. Jangan pernah memodifikasi steker. Jangan menggunakan steker adaptor bersama dengan perkakas listrik yang terhubung dengan sistem grounding.** Steker yang tidak dimodifikasi dan stopkontak yang cocok akan mengurangi risiko sengatan listrik.
- ▶ **Hindari kontak badan dengan permukaan yang terhubung dengan sistem grounding, seperti pipa, radiator, kompor, dan lemari es.** Terdapat peningkatan risiko terjadinya sengatan listrik jika badan Anda terhubung dengan sistem grounding.

- ▶ **Perkakas listrik tidak boleh terpapar hujan atau basah.** Air yang masuk ke dalam perkakas listrik menambah risiko terjadinya sengatan listrik.
- ▶ **Jangan menyalahgunakan kabel. Jangan gunakan kabel untuk membawa, menarik, atau melepas steker perkakas listrik. Jauhkan kabel dari panas, minyak, tepi yang tajam, atau komponen yang bergerak.** Kabel listrik yang rusak atau tersangkut menambah risiko terjadinya sengatan listrik.
- ▶ **Saat mengoperasikan perkakas listrik di luar ruangan, gunakan kabel ekstensi yang sesuai untuk penggunaan di luar ruangan.** Penggunaan kabel yang cocok untuk pemakaian di luar ruangan mengurangi risiko terjadinya sengatan listrik.
- ▶ **Jika perkakas listrik memang harus dioperasikan di tempat yang lembap, gunakan pemutus arus listrik residu (RCD).** Penggunaan RCD akan mengurangi risiko terjadinya sengatan listrik.

Keselamatan personel

- ▶ **Tetap waspada, perhatikan aktivitas yang sedang dikerjakan dan gunakan akal sehat saat mengoperasikan perkakas listrik. Jangan gunakan perkakas listrik saat mengalami kelelahan atau di bawah pengaruh narkoba, alkohol, atau obat-obatan.** Jika perkakas listrik dioperasikan dengan daya konsentrasi yang rendah, hal tersebut dapat menyebabkan cedera serius.
- ▶ **Gunakan peralatan pelindung diri. Selalu kenakan pelindung mata.** Penggunaan perlengkapan pelindung seperti penutup telinga, helm, sepatu anti licin, dan masker debu akan mengurangi cedera.
- ▶ **Hindari start yang tidak disengaja. Pastikan switch berada di posisi off sebelum perkakas listrik dihubungkan ke sumber daya listrik dan/atau baterai, diangkat, atau dibawa.** Membawa perkakas listrik dengan jari menempel pada tombol atau perkakas listrik dalam keadaan hidup dapat memicu kecelakaan.
- ▶ **Singkirkan kunci penyetel atau kunci pas sebelum menghidupkan perkakas listrik.** Perkakas atau kunci pas yang masih menempel pada komponen perkakas listrik yang berputar dapat menyebabkan cedera.
- ▶ **Jangan melampaui batas. Berdirilah secara mantap dan selalu jaga keseimbangan.** Hal ini akan memberikan kontrol yang lebih baik terhadap perkakas listrik pada situasi yang tak terduga.
- ▶ **Kenakan pakaian dengan wajar. Jangan mengenakan perhiasan atau pakaian yang longgar. Jauhkan rambut dan pakaian dari komponen yang bergerak.** Pakaian yang longgar, rambut panjang, atau perhiasan dapat tersangkut dalam komponen yang bergerak.
- ▶ **Jika disediakan perangkat untuk sambungan pengisapan debu dan alat pengumpulan, pastikan perangkat tersebut terhubung dan digunakan dengan benar.** Penggunaan alat pengumpulan dapat mengurangi bahaya yang disebabkan oleh debu.

- ▶ **Jangan berpuas diri dan mengabaikan prinsip keselamatan karena terbiasa mengoperasikan perkakas.** Tindakan yang kurang hati-hati dapat mengakibatkan cedera serius dalam waktu sepersekian detik.

Penggunaan dan pemeliharaan perkakas listrik

- ▶ **Jangan memaksakan perkakas listrik. Gunakan perkakas listrik yang sesuai untuk pekerjaan yang dilakukan.** Perkakas listrik yang sesuai akan bekerja dengan lebih baik dan aman sesuai tujuan penggunaan.
- ▶ **Jangan gunakan perkakas listrik dengan switch yang tidak dapat dioperasikan.** Perkakas listrik yang switchnya yang tidak berfungsi dapat menimbulkan bahaya dan harus diperbaiki.
- ▶ **Lepaskan steker dari sumber listrik dan/atau lepas baterai, jika dapat dilepaskan dari perkakas listrik sebelum menyatel, mengganti aksesori, atau menyimpan perkakas listrik.** Tindakan preventif akan mengurangi risiko menghidupkan perkakas listrik secara tidak disengaja.
- ▶ **Jauhkan dan simpan perkakas listrik dari jangkauan anak-anak dan jangan biarkan orang-orang yang tidak mengetahui cara menggunakan perkakas listrik, mengoperasikan perkakas listrik.** Perkakas listrik dapat membahayakan jika digunakan oleh orang-orang yang tidak terlatih.
- ▶ **Lakukan pemeliharaan perkakas listrik dan aksesori. Periksa komponen yang bergerak apabila tidak lurus atau terikat, kerusakan komponen, dan kondisi lain yang dapat mengganggu pengoperasian perkakas listrik. Apabila rusak, perbaiki perkakas listrik sebelum digunakan.** Kecelakaan sering terjadi karena perkakas listrik tidak dirawat dengan baik.
- ▶ **Jaga ketajaman dan kebersihan alat.** Alat pemotong dengan pisau pemotong yang tajam dan dirawat dengan baik tidak akan mudah tersangkut dan lebih mudah dikendalikan.
- ▶ **Gunakan perkakas listrik, aksesori, dan komponen perkakas dll sesuai dengan petunjuk ini, dengan mempertimbangkan kondisi kerja dan pekerjaan yang akan dilakukan.** Penggunaan perkakas listrik untuk tujuan berbeda dari fungsinya dapat menyebabkan situasi yang berbahaya.
- ▶ **Jaga gagang dan permukaan genggam agar tetap kering, bersih, dan bebas dari minyak dan lemak.** Gagang dan permukaan genggam yang licin tidak menjamin keamanan kerja dan kontrol alat yang baik pada situasi yang tidak terduga.

Penggunaan dan pemeliharaan perkakas baterai

- ▶ **Isi ulang daya hanya dengan pengisi daya yang ditentukan oleh produsen.** Pengisi daya yang sesuai untuk satu jenis set baterai dapat menyebabkan risiko kebakaran apabila digunakan dengan set baterai lain.
- ▶ **Hanya gunakan perkakas listrik dengan set baterai yang dirancang khusus.** Penggunaan set baterai lain dapat menyebabkan risiko cedera dan kebakaran.

- ▶ **Apabila set baterai tidak digunakan, jauhkan dari benda logam lainnya, seperti klip kertas, koin, kunci, paku, sekrup, atau benda logam kecil lainnya yang dapat membuat sambungan dari satu terminal ke terminal lainnya.** Memendekkan terminal baterai dapat menyebabkan kebakaran atau api.
- ▶ **Cairan dapat keluar dari baterai jika baterai tidak digunakan dengan benar; hindari kontak. Jika terjadi kontak secara tidak disengaja, bilas dengan air. Jika cairan mengenai mata, segera hubungi bantuan medis.** Cairan yang keluar dari baterai dapat menyebabkan iritasi atau luka bakar.
- ▶ **Jangan gunakan set baterai atau perkakas yang rusak atau telah dimodifikasi.** Baterai yang rusak atau telah dimodifikasi dapat menimbulkan kejadian yang tak terduga seperti kebakaran, ledakan, atau risiko cedera.
- ▶ **Jangan meletakkan set baterai atau perkakas di dekat api atau suhu tinggi.** Paparan terhadap api atau suhu di atas 130 °C dapat memicu ledakan.
- ▶ **Ikuti semua petunjuk pengisian daya dan jangan mengisi daya set baterai atau perkakas di luar rentang suhu yang ditentukan dalam petunjuk.** Pengisian daya yang tidak tepat atau di luar rentang suhu yang ditentukan dapat merusak baterai dan meningkatkan risiko kebakaran.

Servis

- ▶ **Minta teknisi berkualifikasi untuk menyervis perkakas listrik dengan hanya menggunakan suku cadang yang identik.** Dengan demikian, hal ini akan memastikan keamanan perkakas listrik.
- ▶ **Jangan pernah melakukan servis pada baterai yang telah rusak.** Servis baterai hanya boleh dilakukan oleh produsen atau penyedia servis resmi.

Petunjuk Keselamatan untuk Obeng

Petunjuk keselamatan untuk semua pengoperasian

- ▶ **Pegang perkakas listrik pada permukaan gagang berisolator saat mengoperasikannya, aksesori pemotong atau pengunci dapat bersentuhan dengan kabel yang tidak terlihat.** Aksesori pemotong atau pengunci yang bersentuhan dengan kabel yang dialiri listrik dapat menyebabkan bagian logam perkakas listrik yang terbuka dialiri listrik sehingga pengguna dapat tersengat listrik.

Petunjuk keselamatan saat menggunakan mata bor panjang

- ▶ **Jangan pernah mengoperasikan alat dengan kecepatan yang lebih tinggi dari nilai kecepatan maksimal mata bor.** Pada kecepatan yang tinggi, mata bor akan membengkok jika berputar secara bebas tanpa menyentuh benda kerja dan dapat menyebabkan cedera terhadap pengguna.
- ▶ **Selalu hidupkan alat bor pada kecepatan rendah dengan ujung mata bor menyentuh benda kerja.** Pada kecepatan yang tinggi, mata bor akan membengkok jika

berputar secara bebas tanpa menyentuh benda kerja dan dapat menyebabkan cedera terhadap pengguna.

- ▶ **Tekan hanya pada garis langsung dengan mata bor dan jangan tekan secara berlebihan.** Mata bor dapat membengkok dan menyebabkan kerusakan atau hilang kendali sehingga menyebabkan cedera terhadap pengguna.

Petunjuk Keselamatan tambahan

- ▶ **Gunakan alat kerja dengan aman.** Benda yang ditahan dalam alat pemegang atau bais lebih aman daripada benda yang dipegang dengan tangan.
- ▶ **Sebelum meletakkan perkakas listrik, tunggulah hingga perkakas berhenti berputar.** Alat kerja dapat tersangkut dan menyebabkan perkakas listrik tidak dapat dikendalikan.
- ▶ **Se segera matikan perkakas listrik jika alat tambahan terkunci. Bersiaplah dengan reaksi tinggi yang menyebabkan sentakan.** Alat tambahan akan terkunci jika perkakas listrik mengalami kelebihan beban atau perkakas bergerak miring pada benda kerja.
- ▶ **Gunakanlah alat detektor logam yang cocok untuk mencari kabel dan pipa yang tidak terlihat atau hubungi perusahaan pengadaan setempat.** Sentuhan dengan kabel-kabel listrik dapat mengakibatkan api dan kontak listrik. Pipa gas yang dirusak dapat mengakibatkan ledakan. Pipa air yang dirusak mengakibatkan barang-barang menjadi rusak.
- ▶ **Pegang perkakas listrik dengan kencang.** Saat mengencangkan dan mengendurkan obeng dapat terjadi reaksi torsi yang tinggi sesaat.
- ▶ **Asap dapat keluar apabila terjadi kerusakan atau penggunaan yang tidak tepat pada baterai. Baterai dapat terbakar atau meledak.** Biarkan udara segar mengalir masuk dan kunjungi dokter apabila mengalami gangguan kesehatan. Asap tersebut dapat mengganggu saluran pernafasan.
- ▶ **Jangan memodifikasi dan membuka baterai.** Terdapat risiko korsleting.
- ▶ **Baterai dapat rusak akibat benda-benda lancip, seperti jarum, obeng, atau tekanan keras dari luar.** Hal ini dapat menyebabkan terjadinya hubungan singkat internal dan baterai dapat terbakar, berasap, meledak, atau mengalami panas berlebih.
- ▶ **Hanya gunakan baterai pada produk dari produsen.** Hanya dengan cara ini, baterai dapat terlindung dari kelebihan muatan.



Lindungi baterai dari panas, misalnya juga dari paparan sinar matahari dalam waktu yang lama, api, kotoran, air dan kelembapan. Terdapat risiko ledakan dan korsleting.



- ▶ **Waspada! Ketika menggunakan perkakas listrik dengan Bluetooth®, gangguan dapat muncul pada perangkat dan instalasi lain, pesawat terbang, dan perangkat medis (misalnya alat pacu jantung, alat bantu dengar). Selain itu, cedera pada manusia dan**

binatang di area sekitar tidak dapat seluruhnya dihindari. Jangan menggunakan alat pengukur dengan Bluetooth® di dekat perangkat medis, pusat pengisian bahan bakar, instalasi kimia, area dengan bahaya ledakan, dan percikan api. Jangan menggunakan perkakas listrik dengan Bluetooth® di dalam pesawat terbang. Hindari pengoperasian di dekat kepala secara langsung dalam waktu yang lama.

Istilah merek *Bluetooth®* serta gambar simbol (logo) merupakan merek dagang terdaftar dan kepemilikan dari Bluetooth SIG, Inc. Setiap penggunaan istilah merek/gambar simbol ini berada di bawah lisensi Robert Bosch Power Tools GmbH.



PERINGATAN



Pastikan baterai kancing tidak berada dalam jangkauan anak-anak. Baterai kancing berbahaya.

- ▶ **Baterai kancing tidak boleh ditelan atau dimasukkan ke dalam rongga bagian tubuh. Jika terdapat indikasi baterai kancing tertelan atau telah masuk ke dalam rongga bagian tubuh, segera hubungi dokter.** Baterai kancing yang tertelan dapat menimbulkan luka bakar bagian dalam yang fatal dalam kurun waktu 2 jam dan dapat menyebabkan kematian.
- ▶ **Pastikan baterai kancing dipasang dengan benar saat mengganti baterai kancing.** Terdapat risiko ledakan.
- ▶ **Hanya gunakan baterai kancing yang tercantum dalam panduan pengoperasian ini.** Dilarang menggunakan baterai kancing atau suplai daya lainnya.
- ▶ **Jangan mencoba mengisi daya baterai kembali dan jangan membuat hubungan arus pendek pada baterai.** Baterai dapat bocor, meledak, terbakar, dan dapat melukai pengguna.
- ▶ **Lepas dan buang baterai kancing yang telah habis dengan cara yang ramah lingkungan.** Baterai kancing yang telah habis dapat bocor dan dapat merusak produk atau melukai pengguna.
- ▶ **Hindari baterai kancing dari panas berlebih dan jangan dibakar.** Baterai dapat bocor, meledak, terbakar, dan dapat melukai pengguna.
- ▶ **Jangan merusak baterai kancing dan jangan membongkar komponen baterai.** Baterai dapat bocor, meledak, terbakar, dan dapat melukai pengguna.
- ▶ **Jaga agar baterai kancing yang rusak tidak terkena air.** Kandungan lithium yang bocor keluar dapat menciptakan kandungan hidrogen dengan air dan dapat menimbulkan kebakaran, ledakan atau melukai pengguna.

Spesifikasi produk dan performa



Bacalah semua petunjuk keselamatan dan petunjuk penggunaan. Kesalahan dalam menjalankan petunjuk keselamatan dan petunjuk penggunaan dapat mengakibatkan kontak listrik, kebakaran, dan/atau luka-luka yang berat.

Perhatikan ilustrasi yang terdapat pada sisi sampul panduan pengoperasian.

Tujuan penggunaan

Perkakas listrik ini digunakan untuk memasang dan melepas baut, juga digunakan untuk mengebor kayu, logam dan material plastik.

Perkakas listrik dapat digunakan dengan adaptor sudut siku-siku (GFA 18-W), adaptor sudut siku-siku dengan chuck bor logam (GFA 18-WM), adaptor sudut off-set (GFA 18-E), adaptor chuck bor (GFA 18-B), adaptor chuck bor logam (GFA 18-M), atau adaptor bor hammer (GFA 18-H).

Data dan pengaturan perkakas listrik dapat dikirimkan menggunakan modul *Bluetooth*® Low Energy **GCY 42 / GCY 42 NC** yang terpasang dengan menggunakan teknologi nirkabel *Bluetooth*® antara perkakas listrik dan perangkat seluler.

Komponen yang digambarkan

Penomoran ilustrasi komponen mengacu pada gambar perkakas listrik pada halaman grafis.

- (1) Dudukan alat kerja
- (2) Selongsong pengunci
- (3) Ring untuk penyetelan awal torsi

- (4) Switch selektor tingkat putaran
- (5) Penutup modul Bluetooth® Low Energy **GCY 42 / GCY 42 NC**
- (6) Holder mata bor^{a)}
- (7) Klip tempat menggantungkan^{a)}
- (8) Baterai^{a)}
- (9) Tombol pelepas baterai^{a)}
- (10) Antarmuka Pengguna
- (11) Switch arah putaran
- (12) Tombol on/off
- (13) Gagang (permukaan genggam berinsulasi)
- (14) Adaptor chuck bor logam GFA 18-M^{a)}
- (15) Adaptor chuck bor GFA 18-B^{a)}
- (16) Adaptor sudut siku-siku GFA 18-W^{a)}
- (17) Adaptor sudut off-set GFA 18-E^{a)}
- (18) Adaptor sudut siku-siku dengan chuck bor logam GFA 18-WM^{a)}
- (19) Adaptor bor hammer GFA 18-H^{a)}
- (20) Cincin pengunci^{a)}

Antarmuka Pengguna

- (21) Indikator status perkakas listrik
- (22) LED untuk KickBack Control
- (23) Tombol untuk KickBack Control
- (24) Lampu kerja (LED)
- (25) Tombol kopling presisi
- (26) LED kopling presisi

a) **Aksesori ini tidak termasuk dalam lingkup pengiriman standar.**

Data teknis

Obeng listrik berdaya baterai		GSR 18V-90 FC	GFA 18-M	GFA 18-W	GFA 18-E	GFA 18-WM
Nomor barang		3 601 JK6 2..	-	-	-	-
Tegangan nominal	V=	18	-	-	-	-
Kecepatan idle ^{A)}						
- Tingkat putaran pertama	min ⁻¹	0-630	-	-	-	-
- Tingkat putaran kedua	min ⁻¹	0-2100	-	-	-	-
Torsi maks. (lunak) ^{A)}	Nm	36	-	-	-	-
Torsi maks. (ketat) ^{A)}	Nm	64	-	-	-	-
Diameter pengeboran maks.						
- Kayu	mm	68	-	-	-	-
- Baja	mm	13	-	-	-	-
- Beton	mm	10	-	-	-	-
Diameter penyekrupan maks.	mm	12	-	-	-	-
Dudukan alat kerja	mm	6,35 Kunci heksagonal ¼"	1,5-13	6,35 Kunci heksagonal ¼"	6,35 Kunci heksagonal ¼"	1,5-13
Berat ^{B)}	kg	1,3-2,3 ^{C)}	0,38	0,44	0,44	0,66

Obeng listrik berdaya baterai		GSR 18V-90 FC	GFA 18-M	GFA 18-W	GFA 18-E	GFA 18-WM
Suhu sekitar yang direkomendasikan saat pengisian daya	°C	0 ... +35				
Suhu sekitar yang diizinkan saat pengoperasian dan saat penyimpanan	°C	-20 ... +50				
Baterai yang direkomendasikan		GBA 18V... ProCORE18V...	-	-	-	-
Perangkat pengisi daya yang direkomendasikan		GAL 18... GAX 18... GAL 36...	-	-	-	-

A) diukur pada suhu 20–25 °C dengan baterai **GBA 18V 5.0Ah**

B) tergantung pada baterai yang digunakan

C) Diukur dengan **GBA 18V 1.5Ah** dan **GBA 18V 12.0Ah**.

Nilai dapat berbeda-beda bergantung pada produk dan mungkin tunduk pada kondisi lingkungan serta penggunaan. Informasi lebih lanjut pada www.bosch-professional.com/wac.

Baterai

Bosch menjual perkakas listrik berdaya baterai bahkan tanpa baterai yang disertakan. Keterangan apakah lingkup pengiriman perkakas listrik termasuk dengan baterai dapat ditemukan di kemasan.

Mengisi daya baterai

► **Hanya gunakan pengisi daya yang tercantum pada data teknis.** Hanya pengisi daya ini yang sesuai dengan baterai li-ion yang digunakan pada perkakas listrik Anda.

Catatan: Baterai lithium-ion dikirim dalam keadaan terisi daya sebagian berdasarkan peraturan transportasi internasional. Untuk menjamin daya penuh dari baterai, isi daya baterai hingga penuh sebelum menggunakannya untuk pertama kali.

Memasang baterai

Masukkan baterai yang telah terisi daya ke dalam dudukan baterai hingga baterai terkunci.



Melepas baterai

Untuk melepas baterai, tekan tombol pelepas baterai dan keluarkan baterai. **Jangan melepas baterai dengan paksa.** Baterai memiliki 2 level penguncian untuk mencegah baterai terlepas saat tombol pelepas baterai ditekan secara tidak sengaja. Selama baterai terpasang di dalam perkakas listrik, baterai ditahan posisinya menggunakan pegas.

Indikator level pengisian daya baterai

Catatan: Tidak semua jenis baterai memiliki indikator level pengisian daya.

LED berwarna hijau dari indikator level pengisian daya baterai menampilkan level pengisian daya baterai. Atas dasar keselamatan, permintaan level pengisian daya baterai hanya dapat dilakukan saat perkakas listrik dalam keadaan berhenti.

Tekan tombol indikator level pengisian daya baterai  atau  untuk menampilkan level pengisian baterai. Hal ini juga dapat dilakukan saat baterai dilepas.

Apabila LED tidak menyala setelah menekan tombol indikator level pengisian daya, terdapat kerusakan pada baterai dan baterai harus diganti.

Level pengisian daya baterai juga ditampilkan pada User Interface (lihat „Display status“, Halaman 80).

Tipe baterai GBA 18V...



LED	Kapasitas
Lampu permanen hijau 3×	60–100%
Lampu permanen hijau 2×	30–60%
Lampu permanen hijau 1×	5–30%
Lampu berkedip hijau 1×	0–5%

Tipe baterai ProCORE18V...



LED	Kapasitas
Lampu permanen hijau 5×	80–100%
Lampu permanen hijau 4×	60–80%
Lampu permanen hijau 3×	40–60%
Lampu permanen hijau 2×	20–40%
Lampu permanen hijau 1×	5–20%
Lampu berkedip hijau 1×	0–5%

Petunjuk untuk penanganan baterai yang optimal

Lindungilah baterai dari kelembapan dan air.

Simpan baterai hanya pada rentang suhu antara -20°C hingga 50°C . Janganlah meletakkan baterai di dalam mobil, misalnya pada musim panas.

Bersihkan lubang ventilasi baterai dengan kuas yang lunak, bersih dan kering secara berkala.

Waktu pengoperasian yang berkurang secara signifikan setelah pengisian daya menunjukkan bahwa baterai telah habis dan perlu diganti.

Perhatikan petunjuk untuk membuang.

Cara memasang

- ▶ **Lepaskan baterai dari perkakas listrik sebelum melakukan pekerjaan apa pun pada perkakas listrik (misalnya perawatan, penggantian alat kerja, dll.).**

Terdapat risiko cedera apabila tombol on/off ditekan secara tidak sengaja.

Memasang modul *Bluetooth*[®] Low Energy GCY 42 / GCY 42 NC

Untuk informasi mengenai modul *Bluetooth*[®] Low Energy GCY 42 / GCY 42 NC, baca panduan pengoperasian terkait.

Mengganti alat

Memasang alat sisipan (lihat gambar A)

Dorong selubung pengunci (2) ke belakang dan pasang alat sisipan ke dalam dudukan (1) dengan cara diputar.

Lepaskan kembali selubung pengunci (2) untuk mengunci alat sisipan

Melepas alat sisipan

Dorong selubung pengunci (2) ke belakang dan tarik alat sisipan dari dudukan (1).

Memasang adaptor (lihat gambar B)

Lepaskan alat sisipan.

Pasang adaptor ke dudukan (1). Putar cincin pengunci (20) hingga terkunci.

Memasang alat sisipan ke adaptor

GFA 18-E/GFA 18-W (lihat gambar C):

Dorong selubung pengunci (2) ke belakang dan pasang alat sisipan ke dalam dudukan (1) dengan cara diputar.

Lepaskan kembali selubung pengunci (2) untuk mengunci alat sisipan

GFA 18-M/GFA 18-B/GFA 18-WM (lihat gambar D):

Buka adaptor kepala bor dengan memutarinya ke arah ① hingga alat sisipan dapat dipasang. Pasang aksesoris.

Putar leher adaptor kepala bor ke arah ② dengan kuat menggunakan tangan. Kepala bor terkunci secara otomatis.

Memutar adaptor (GFA 18-W, GFA 18-E, GFA 18-WM) (lihat gambar E)

Tarik adaptor ke depan. Putar adaptor ke posisi yang diinginkan, lalu lepaskan untuk menguncinya dengan benar. Adaptor terkunci pada 16 posisi yang tersebar di seluruh 360 derajat.

Melepas adaptor (lihat gambar F)

Lepaskan aksesoris.

Buka adaptor yang terkunci dengan memutarinya ke arah

↺ lalu lepaskan adaptor dari dudukan (1).

Ekstraksi debu/serbuk

Debu dari bahan-bahan seperti cat yang mengandung timbel (timah hitam), beberapa jenis kayu, bahan mineral dan logam dapat berbahaya bagi kesehatan. Menyentuh atau menghirup debu-debu ini dapat mengakibatkan reaksi alergi dan/atau penyakit saluran pernapasan pada pengguna atau orang yang berada di dekatnya.

Beberapa debu tertentu seperti debu kayu pohon quercus atau pohon fagus silvatica dianggap dapat mengakibatkan penyakit kanker, terutama dalam campuran dengan bahan-bahan tambahan untuk pengolahan kayu (kromat, obat pengawet kayu). Bahan-bahan yang mengandung asbestos hanya boleh dikerjakan oleh orang-orang yang ahli.

- Perhatikanlah supaya ada pertukaran udara yang baik di tempat kerja.
- Kami anjurkan Anda memakai masker anti debu dengan filter kelas P2.

Taatilah peraturan-peraturan untuk bahan-bahan yang dikerjakan yang berlaku di negara Anda.

- ▶ **Hindari debu yang banyak terkumpul di tempat kerja.**

Debu dapat tersulut dengan mudah.

Penggunaan

Cara penggunaan

Mengatur arah putaran (lihat gambar H)


- ▶ **Tekan switch arah putaran (11) hanya saat perkakas listrik sedang tidak beroperasi.**


Arah putaran perkakas listrik dapat diubah dengan switch pengubah arah (11). Hal tersebut tidak dapat dilakukan jika tombol on/off (12) ditekan.


Searah jarum jam: Untuk mengebor dan menyekrup, tekan switch arah putaran (11) ke kiri hingga maksimal.

Berlawanan arah jarum jam: Untuk mengendurkan atau melepas sekrup dan mur, tekan switch pengubah arah (11) ke kanan hingga maksimal.

Penyetelan awal torsi

Dengan menggunakan ring untuk penyetelan awal torsi (3), torsi yang diperlukan dapat dipilih terlebih dahulu dalam 20 level. Jika torsi diatur dengan benar, alat sisipan akan berhenti berputar begitu sekrup terpasang rata pada material atau torsi yang diatur tercapai. Pada posisi , kopling pengaman dinonaktifkan, misalnya untuk melakukan pengeboran.

Jika perlu, pilih pengaturan yang lebih tinggi dan atur ke simbol  saat melepas sekrup.

Pada posisi , torsi maksimal untuk pengeboran dan penyekrupan tercapai.

Memilih tingkat putaran secara mekanis

- ▶ Tekan switch pemilih tingkat putaran (4) hanya saat perkakas listrik sedang tidak beroperasi.
- ▶ Selalu geser switch pemilih tingkat putaran hingga maksimal. Jika tidak, perkakas listrik dapat rusak.

Dengan switch pemilih tingkat putaran (4) dapat dipilih 2 rentang kecepatan putaran.

Posisi selektor pemilih tingkat putaran (4)	Kecepatan putaran	Torsi	Rentang penggunaan
1	Rendah	Tinggi	Untuk pekerjaan berat: misalnya pengeboran dan penyekrupan dengan diameter besar
2	Tinggi	Rendah	Untuk pekerjaan ringan: misalnya pengeboran dan penyekrupan dengan diameter kecil

Mengatur mode pengoperasian



Pengeboran

Atur ring untuk penyetelan awal torsi (3) ke simbol "Pengeboran" untuk mencapai torsi maksimal untuk pengeboran dan penyekrupan.



Penyekrupan

Atur ring untuk penyetelan awal torsi (3) ke level torsi yang diinginkan.

Mengaktifkan/menonaktifkan perkakas listrik

Untuk menggunakan pertama kali perkakas listrik, tekan dan tahan tombol on/off (12).

Lampu kerja (24) akan menyala saat tombol on/off (12) ditekan ringan atau ditekan kuat dan dapat membantu menerangi area kerja saat kondisi cahaya minim.

Menyetel kecepatan

Kecepatan perkakas listrik yang diaktifkan dapat disetel terus-menerus tergantung seberapa kuat tombol on/off (12) ditekan.

Jika tombol on/off (12) ditekan singkat dan tidak terlalu kuat, kecepatan putaran akan menjadi rendah. Tekanan yang lebih besar mengakibatkan kecepatan putaran yang lebih tinggi.

Pelindung beban berlebih yang bergantung suhu

Pada penggunaan normal, perkakas listrik tidak akan kelebihan beban. Kecepatan putaran akan berkurang atau perkakas listrik akan mati apabila kelebihan beban atau

rentang suhu pengoperasian melebihi batas yang diperbolehkan. Perkakas listrik hanya akan berjalan dengan kecepatan penuh setelah suhu pengoperasian yang diizinkan tercapai.

Perlindungan kelebihan beban yang bergantung pada suhu akan ditampilkan melalui lampu LED berwarna merah pada perkakas listrik.

- Untuk kembali mencapai rentang suhu pengoperasian yang diperbolehkan, operasikan perkakas listrik pada posisi idle atau tunggu hingga lampu LED kembali menyala hijau. Saat LED menyala hijau, perangkat kembali mencapai rentang suhu pengoperasian yang diperbolehkan.

User Interface (lihat gambar I)

Antarmuka pengguna (10) digunakan untuk mengaktifkan dan menonaktifkan kopling presisi "Precision Clutch" dan penonaktifan cepat "KickBack Control" serta untuk indikator status perkakas listrik.

Kopling presisi (Precision Clutch)



Kopling presisi menghentikan posisi penguncian yang berlebihan saat torsi yang diatur tercapai sehingga mengurangi keausan pada kopling dan kebisingan yang muncul.

Kopling presisi dapat dinonaktifkan pada Antarmuka Pengguna (10) menggunakan tombol kopling presisi (25). Status saat ini ditampilkan melalui LED kopling presisi (26) pada Antarmuka Pengguna (10).

Penonaktifan cepat (Kickback Control)



Penonaktifan cepat (KickBack Control) menawarkan kontrol yang lebih baik pada perkakas listrik dan meningkatkan perlindungan terhadap pengguna dibandingkan dengan perkakas listrik tanpa

KickBack Control. Perkakas listrik akan mati jika perkakas listrik berputar di sekitar sumbu bor secara mendadak dan tak terduga.

Penonaktifan cepat ditampilkan melalui LED (21) yang berkedip merah, lampu kerja (24) yang berkedip serta LED untuk KickBack Control (22) yang menyala merah pada perkakas listrik.

Untuk mengoperasikan kembali perkakas listrik, lepaskan tombol on/off dan kemudian tekan kembali.

- ▶ Jika fungsi KickBack Control rusak, perkakas listrik tidak lagi dapat dihidupkan. Hanya lakukan perbaikan perkakas listrik oleh teknisi ahli resmi dan hanya gunakan suku cadang asli.

Penonaktifan cepat dapat dinonaktifkan pada antarmuka pengguna (10) melalui tombol KickBack Control (23). Jika perkakas listrik tidak digunakan lebih dari 5 menit atau baterai dilepas, penonaktifan cepat akan aktif kembali secara otomatis. Status saat ini akan ditampilkan melalui LED KickBack Control (22) pada antarmuka pengguna (10).

- ▶ Catatan: Lampu peringatan LED tidak dapat terlihat dari segala arah! Lampu peringatan tidak dapat terlihat dengan baik dan jelas di bawah cahaya matahari yang terang.

Display status

Indikator status perkakas listrik	Arti/penyebab	Solusi
Hijau	Status OK	–
Kuning	Suhu kritis tercapai, baterai hampir habis daya atau KickBack Control dinonaktifkan	Biarkan perkakas listrik beroperasi pada posisi idle dan menjadi dingin, segera ganti atau isi daya baterai, atau tekan tombol KickBack Control
Menyala merah	Perkakas listrik terlalu panas atau baterai kosong	Biarkan perkakas listrik menjadi dingin atau ganti atau isi daya baterai
Berkedip merah	Penonaktifan cepat telah terpicu	Matikan perkakas listrik dan hidupkan kembali
Berkedip biru	Perkakas listrik terhubung dengan perangkat seluler atau pengaturan dikirim	–

Fungsi konektivitas

Berkaitan dengan modul *Bluetooth*[®] Low Energy **GCY 42 / GCY 42 NC**, fungsi konektivitas berikut tersedia untuk perkakas listrik:

- Pendaftaran dan personalisasi
- Cek status, tampilan pesan peringatan
- Informasi umum
- Perawatan
- Menyalakan/mematikan lampu kerja
- Pengaturan kecerahan dan durasi pancaran cahaya lampu kerja
- Pengaturan kecerahan dan durasi pancaran cahaya antarmuka pengguna

Untuk informasi mengenai modul *Bluetooth*[®] Low Energy **GCY 42 / GCY 42 NC**, baca panduan pengoperasian terkait.

Petunjuk pengoperasian

- ▶ **Perkakas listrik dengan modul *Bluetooth*[®] Low Energy GCY 42 / GCY 42 NC (aksesori) yang terpasang dilengkapi dengan antarmuka berbasis radio. Perhatikan batasan pengoperasian lokal, misalnya dalam pesawat terbang atau di rumah sakit.**
- ▶ **Hanya pasang perkakas listrik pada sekrup saat perkakas dalam keadaan mati.** Alat sisipan yang berputar dapat tergelincir.

Jepitan tempat menggantungkan

Dengan jepitan tempat menggantungkan (7), perkakas listrik dapat digantungkan misalnya pada tali pengikat. Dengan demikian Anda tidak perlu memegang perkakas listrik dan perkakas listrik tetap berada di dekat Anda.

Perawatan dan servis**Perawatan dan pembersihan**

- ▶ **Lepaskan baterai dari perkakas listrik sebelum melakukan pekerjaan apa pun pada perkakas listrik (misalnya perawatan, penggantian alat kerja, dll.).** Terdapat risiko cedera apabila tombol on/off ditekan secara tidak sengaja.

- ▶ **Perkakas listrik dan lubang ventilasi harus selalu dibersihkan agar perkakas dapat digunakan dengan baik dan aman.**

Layanan pelanggan dan konsultasi penggunaan

Layanan pelanggan Bosch menjawab semua pertanyaan Anda tentang reparasi dan perawatan serta tentang suku cadang produk ini. Gambaran teknis (exploded view) dan informasi mengenai suku cadang dapat ditemukan di:

www.bosch-pt.com

Tim konsultasi penggunaan Bosch akan membantu Anda menjawab pertanyaan seputar produk kami beserta aksesorinya.

Jika Anda hendak menanyakan sesuatu atau memesan suku cadang, selalu sebutkan nomor model yang terdiri dari 10 angka dan tercantum pada label tipe produk.

Indonesia

PT Robert Bosch Indonesia
 Arkadia Green Park Tower G – 7th floor
 Jl. Let. Jend. TB. Simatupang Kav.88
 Jakarta 12520
 Tel.: (021) 3005 5800
 Fax: (021) 3005 5801
 E-Mail: boschpowertools@id.bosch.com
 www.bosch-pt.co.id

Alamat layanan lainnya dapat ditemukan di:

www.bosch-pt.com/serviceaddresses

Transpor

Baterai li-ion yang direkomendasikan tunduk pada persyaratan terkait peraturan tentang bahan-bahan yang berbahaya. Baterai dapat diangkut di jalan oleh penggunaannya tanpa pembatasan lebih lanjut.

Pada pengiriman oleh pihak ketiga (misalnya transportasi udara atau perusahaan ekspedisi), persyaratan terkait pengemasan dan pemberian tanda harus diperhatikan. Dalam hal ini, diperlukan konsultasi dengan ahli bahan-bahan berbahaya saat menyiapkan barang pengiriman. Kirimkan baterai hanya jika housing-nya tidak rusak. Tutup bagian-bagian yang terbuka dan kemas baterai agar tidak bergerak-gerak di dalam kemasan. Taatilah peraturan-

peraturan nasional lainnya yang mungkin lebih rinci yang berlaku di negara Anda.

Cara membuang



Perkakas listrik, baterai, aksesoris dan kemasan harus didaur ulang dengan cara yang ramah lingkungan.



Jangan membuang perkakas listrik, aki/baterai ke dalam sampah rumah tangga!

Baterai:

Li-ion:

Perhatikanlah petunjuk-petunjuk dalam bab Transpor (lihat „Transpor“, Halaman 80).

Tiếng Việt

Hướng dẫn an toàn

Hướng dẫn an toàn chung cho dụng cụ điện

⚠ CẢNH BÁO Hãy đọc toàn bộ các cảnh báo an toàn, hướng dẫn, hình ảnh và thông số kỹ thuật được cung cấp cho dụng cụ điện cầm tay này. Không tuân thủ mọi hướng dẫn được liệt kê dưới đây có thể bị điện giật, gây cháy và /hay bị thương tật nghiêm trọng. **Hãy giữ tất cả tài liệu về cảnh báo và hướng dẫn để tham khảo về sau.**

Thuật ngữ "dụng cụ điện cầm tay" trong phần cảnh báo là đề cập đến sự sử dụng dụng cụ điện cầm tay của bạn, loại sử dụng điện nguồn (có dây cắm điện) hay vận hành bằng pin (không dây cắm điện).

Khu vực làm việc an toàn

- ▶ **Giữ nơi làm việc sạch và đủ ánh sáng.** Nơi làm việc bừa bộn và tối tăm dễ gây ra tai nạn.
- ▶ **Không vận hành dụng cụ điện cầm tay trong môi trường dễ gây nổ, chẳng hạn như nơi có chất lỏng dễ cháy, khí đốt hay rác.** Dụng cụ điện cầm tay tạo ra các tia lửa nên có thể làm rác bén cháy hay bốc khói.
- ▶ **Không để trẻ em hay người đến xem đứng gần khi vận hành dụng cụ điện cầm tay.** Sự phân tâm có thể gây ra sự mất điều khiển.

An toàn về điện

- ▶ **Phích cắm của dụng cụ điện cầm tay phải thích hợp với ổ cắm. Không bao giờ được cải biến lại phích cắm dưới mọi hình thức. Không được sử dụng phích tiếp hợp nối tiếp**

đất (dây mát). Phích cắm nguyên bản và ổ cắm đúng loại sẽ làm giảm nguy cơ bị điện giật.

- ▶ **Tránh không để thân thể tiếp xúc với đất hay các vật có bề mặt tiếp đất như đường ống, lò sưởi, hàng rào và tủ lạnh.** Có nhiều nguy cơ bị điện giật hơn nếu cơ thể bạn bị tiếp hay nối đất.
- ▶ **Không được để dụng cụ điện cầm tay ngoài mưa hay ở tình trạng ẩm ướt.** Nước vào máy sẽ làm tăng nguy cơ bị điện giật.
- ▶ **Không được lạm dụng dây dẫn điện. Không bao giờ được nắm dây dẫn để xách, kéo hay rút phích cắm dụng cụ điện cầm tay. Không để dây gần nơi có nhiệt độ cao, dầu nhớt, vật nhọn bén và bộ phận chuyển động.** Làm hỏng hay cuộn rối dây dẫn làm tăng nguy cơ bị điện giật.
- ▶ **Khi sử dụng dụng cụ điện cầm tay ngoài trời, dùng dây nối thích hợp cho việc sử dụng ngoài trời làm giảm nguy cơ bị điện giật.**
- ▶ **Nếu việc sử dụng dụng cụ điện cầm tay ở nơi ẩm ướt là không thể tránh được, dùng thiết bị ngắt mạch tự động (RCD) bảo vệ nguồn.** Sử dụng thiết bị ngắt mạch tự động RCD làm giảm nguy cơ bị điện giật.

An toàn cá nhân

- ▶ **Hãy tỉnh táo, biết rõ mình đang làm gì và hãy sử dụng ý thức khi vận hành dụng cụ điện cầm tay. Không sử dụng dụng cụ điện cầm tay khi đang mệt mỏi hay đang bị tác động do chất gây nghiện, rượu hay dược phẩm gây ra.** Một thoáng mất tập trung khi đang vận hành dụng cụ điện cầm tay có thể gây thương tích nghiêm trọng cho bản thân.
- ▶ **Sử dụng trang bị bảo hộ cá nhân. Luôn luôn đeo kính bảo vệ mắt.** Trang bị bảo hộ như khẩu trang, giày chống trượt, nón bảo hộ, hay dụng cụ bảo vệ tai khi được sử dụng đúng nơi đúng chỗ sẽ làm giảm nguy cơ thương tật cho bản thân.
- ▶ **Phòng tránh máy khởi động bất ngờ. Bảo đảm công tắc máy ở vị trí tắt trước khi cắm vào nguồn điện và/hay lắp pin vào, khi nhắc máy lên hay khi mang xách máy.** Ngáng ngón tay vào công tắc máy để xách hay kích hoạt dụng cụ điện cầm tay khi công tắc ở vị trí mở dễ dẫn đến tai nạn.
- ▶ **Lấy mọi chìa hay khóa điều chỉnh ra trước khi mở điện dụng cụ điện cầm tay.** Khóa hay chìa còn gắn dính vào bộ phận quay của dụng cụ điện cầm tay có thể gây thương tích cho bản thân.
- ▶ **Không rướn người. Luôn luôn giữ tư thế đứng thích hợp và thăng bằng.** Điều này tạo cho việc điều khiển dụng cụ điện cầm tay tốt hơn trong mọi tình huống bất ngờ.

- ▶ **Trang phục thích hợp. Không mặc quần áo rộng lủng thùng hay mang trang sức. Giữ tóc và quần áo xa khỏi các bộ phận chuyển động.** Quần áo rộng lủng thùng, đồ trang sức hay tóc dài có thể bị cuốn vào các bộ phận chuyển động.
- ▶ **Nếu có các thiết bị đi kèm để nối máy hút bụi và các phụ kiện khác, bảo đảm các thiết bị này được nối và sử dụng tốt.** Việc sử dụng các thiết bị gom hút bụi có thể làm giảm các độc hại liên quan đến bụi gây ra.
- ▶ **Không để thói quen do sử dụng thường xuyên dụng cụ khiến bạn trở nên chủ quan và bỏ qua các quy định an toàn dụng cụ.** Một hành vi bất cẩn có thể gây ra thương tích nghiêm trọng chỉ trong tích tắc.

Sử dụng và bảo dưỡng dụng cụ điện cầm tay

- ▶ **Không được ép máy. Sử dụng dụng cụ điện cầm tay đúng loại theo đúng ứng dụng của bạn.** Dụng cụ điện cầm tay đúng chức năng sẽ làm việc tốt và an toàn hơn theo đúng tiến độ mà máy được thiết kế.
- ▶ **Không sử dụng dụng cụ điện cầm tay nếu như công tắc không tắt và mở được.** Bất kỳ dụng cụ điện cầm tay nào mà không thể điều khiển được bằng công tắc là nguy hiểm và phải được sửa chữa.
- ▶ **Rút phích cắm ra khỏi nguồn điện và/hay pin ra khỏi dụng cụ điện cầm tay nếu có thể tháo được, trước khi tiến hành bất kỳ điều chỉnh nào, thay phụ kiện, hay cất dụng cụ điện cầm tay.** Các biện pháp ngăn ngừa như vậy làm giảm nguy cơ dụng cụ điện cầm tay khởi động bất ngờ.
- ▶ **Cất giữ dụng cụ điện cầm tay không dùng tới nơi trẻ em không lấy được và không cho người chưa từng biết dụng cụ điện cầm tay hay các hướng dẫn này sử dụng dụng cụ điện cầm tay.** Dụng cụ điện cầm tay nguy hiểm khi ở trong tay người chưa được chỉ cách sử dụng.
- ▶ **Bảo quản dụng cụ điện cầm tay và các phụ kiện.** Kiểm tra xem các bộ phận chuyển động có bị sai lệch hay kẹt, các bộ phận bị rạn nứt và các tình trạng khác có thể ảnh hưởng đến sự vận hành của máy. Nếu bị hư hỏng, phải sửa chữa máy trước khi sử dụng. Nhiều tai nạn xảy ra do bảo quản dụng cụ điện cầm tay tồi.
- ▶ **Giữ các dụng cụ cất bên và sạch.** Bảo quản đúng cách các dụng cụ cất có cạnh sắc bén làm giảm khả năng bị kẹt và dễ điều khiển hơn.
- ▶ **Sử dụng dụng cụ điện cầm tay, phụ kiện, đầu cài v. v., đúng theo các chỉ dẫn này, hãy lưu ý đến điều kiện làm việc và công việc phải thực hiện.** Sự sử dụng dụng cụ điện cầm tay khác

với mục đích thiết kế có thể tạo nên tình huống nguy hiểm.

- ▶ **Giữ tay cầm và bề mặt nắm luôn khô ráo, sạch sẽ và không dính dầu mỡ.** Tay cầm và bề mặt nắm trơn trượt không đem lại thao tác an toàn và kiểm soát dụng cụ trong các tình huống bất ngờ.

Sử dụng và bảo quản dụng cụ dùng pin

- ▶ **Chỉ được sạc pin lại với bộ nạp điện do nhà sản xuất chỉ định.** Bộ nạp điện thích hợp cho một loại pin có thể gây nguy cơ cháy khi sử dụng cho một loại pin khác.
- ▶ **Chỉ sử dụng dụng cụ điện cầm tay với loại pin được thiết kế đặc biệt dành riêng cho máy.** Sử dụng bất cứ loại pin khác có thể dẫn đến thương tật hay cháy.
- ▶ **Khi không sử dụng pin, để cách xa các vật bằng kim loại như kẹp giấy, tiền xu, chìa khoá, đinh, ốc vít hay các đồ vật kim loại nhỏ khác, thứ có thể tạo sự nối tiếp từ một đầu cực với một đầu cực khác.** Sự chập mạch của các đầu cực với nhau có thể gây bỏng hay cháy.
- ▶ **Bảo quản ở tình trạng tối, dung dịch từ pin có thể tứa ra; tránh tiếp xúc.** Nếu vô tình chạm phải, hãy xối nước để rửa. Nếu dung dịch vào mắt, cần thêm sự hỗ trợ của y tế. Dung dịch tiết ra từ pin có thể gây ngứa hay bỏng.
- ▶ **Không được sử dụng bộ pin hoặc dụng cụ đã bị hư hại hoặc bị thay đổi.** Pin hỏng hoặc bị thay đổi có thể gây ra những tác động không lường trước được như cháy nổ hoặc nguy cơ thương tích.
- ▶ **Không đặt bộ pin hoặc dụng cụ ở gần lửa hoặc nơi quá nhiệt.** Tiếp xúc với lửa hoặc nhiệt độ cao trên 130 °C có thể gây nổ.
- ▶ **Tuân thủ tất cả các hướng dẫn nạp và không nạp bộ pin hay dụng cụ ở bên ngoài phạm vi nhiệt độ đã được quy định trong các hướng dẫn.** Nạp không đúng cách hoặc ở nhiệt độ ngoài phạm vi nạp đã quy định có thể làm hư hại pin và gia tăng nguy cơ cháy.

Bảo dưỡng

- ▶ **Đưa dụng cụ điện cầm tay của bạn đến thợ chuyên môn để bảo dưỡng, chỉ sử dụng phụ tùng đúng chủng loại để thay.** Điều này sẽ đảm bảo sự an toàn của máy được giữ nguyên.
- ▶ **Không bao giờ sửa chữa các bộ pin đã hư hại.** Chỉ cho phép nhà sản xuất hoặc các nhà cung cấp dịch vụ có ủy quyền thực hiện dịch vụ sửa chữa cho các bộ pin.

Các hướng dẫn an toàn cho tua-vít

Hướng dẫn an toàn cho mọi hoạt động

- ▶ **Chỉ cầm dụng cụ điện tại các bề mặt cầm nắm có cách điện, khi thực hiện một thao tác tại vị trí mà phụ kiện cất hoặc dụng cụ kẹp có**

thể tiếp xúc với dây điện ngầm. Phụ kiện cắt hoặc dụng cụ kẹp tiếp xúc với dây "có điện" có thể làm cho các phần kim loại hở của dụng cụ điện cầm tay "có điện" và có thể gây ra điện giật cho người vận hành.

Hướng dẫn an toàn khi sử dụng các mũi khoan dài

- ▶ **Không vận hành ở tốc độ cao hơn tốc độ tối đa cho phép của mũi khoan.** Ở tốc độ cao hơn, mũi khoan có thể bị cong nếu cho phép xoay tự do mà không cho tiếp xúc với phôi gia công, dẫn đến thương tích cho người.
- ▶ **Luôn khởi động khoan ở tốc độ thấp và với đầu mũi khoan tiếp xúc với phôi gia công.** Ở tốc độ cao hơn, mũi khoan có thể bị cong nếu cho phép xoay tự do mà không cho tiếp xúc với phôi gia công, dẫn đến thương tích cho người.
- ▶ **Chỉ dùng áp lực vào đường trực tiếp bằng mũi khoan và không dùng áp lực dư.** Các mũi khoan có thể cong, gãy ngắt hoặc mất kiểm soát, dẫn đến thương tích cho người.

Các cảnh báo phụ thêm

- ▶ **Kẹp chặt vật gia công.** Vật gia công được kẹp bằng một thiết bị kẹp hay bằng ê-tô thì vững chắc hơn giữ bằng tay.
- ▶ **Luôn luôn đợi cho máy hoàn toàn ngừng hẳn trước khi đặt xuống.** Dụng cụ lắp vào máy có thể bị kẹp chặt dẫn đến việc dụng cụ điện cầm tay bị mất điều khiển.
- ▶ **Tắt dụng cụ điện ngay nếu phụ tùng bị chặn.** Hãy chuẩn bị cho những mô-men phản ứng cao, mà gây ra sự dội ngược. Phụ tùng bị chặn, nếu dụng cụ điện bị quá tải hoặc bị kẹt trong phôi gia công cần gia công.
- ▶ **Dùng thiết bị dò tìm thích hợp để xác định nếu có các công trình công cộng lắp đặt ngầm trong khu vực làm việc hay liên hệ với Cty công trình công cộng địa phương để nhờ hỗ trợ.** Dụng cụ chạm đường dẫn điện có thể gây ra hỏa hoạn và điện giật. Làm hư hại đường dẫn khí ga có thể gây nổ. Làm thủng ống dẫn nước có thể làm hư hại tài sản hay có thể gây ra điện giật.
- ▶ **Giữ chặt dụng cụ điện.** Khi siết chặt và rời lỏng các vít, những mô-men phản ứng cao có thể xuất hiện trong thời gian ngắn.
- ▶ **Trong trường hợp pin bị hỏng hay sử dụng sai cách, hơi nước có thể bốc ra. Pin có thể cháy hoặc nổ.** Hãy làm cho thông thoáng khí và trong trường hợp bị đau phải nhờ y tế chữa trị. Hơi nước có thể gây ngứa hệ hô hấp.
- ▶ **Không thay đổi và mở pin.** Nguy cơ bị chập mạch.
- ▶ **Pin có thể bị hư hại bởi các vật dụng nhọn như đinh hay tước-nơ-vít hoặc bởi các tác động lực từ bên ngoài.** Nó có thể dẫn tới đoản

mạch nội bộ và làm pin bị cháy, bốc khói, phát nổ hoặc quá nóng.

- ▶ **Chỉ sử dụng pin trong các sản phẩm của nhà sản xuất.** Chỉ bằng cách này, pin sẽ được bảo vệ tránh nguy cơ quá tải.



Bảo vệ pin không để bị làm nóng, ví dụ, chống để lâu dài dưới ánh nắng gay gắt, lửa, chất bắn, nước, và sự ẩm ướt. Có nguy cơ nổ và chập mạch.



- ▶ **Cẩn thận! Nếu sử dụng dụng cụ điện với cổng Bluetooth® có thể gây nhiều các dụng cụ, thiết bị khác cũng như máy bay và dụng cụ y tế (ví dụ: máy tạo nhịp tim, máy trợ thính). Và cũng không thể loại trừ hoàn toàn những tổn hại cho người và động vật ở môi trường trực diện xung quanh. Không sử dụng dụng cụ điện có kết nối Bluetooth® ở gần những thiết bị y tế, trạm xăng, cơ sở hóa học, các khu vực có nguy cơ gây nổ và các khu vực cháy nổ. Không sử dụng dụng cụ điện có kết nối Bluetooth® trên máy bay. Tránh để máy hoạt động gần cơ thể trong thời gian dài.**

Biểu tượng chữ Bluetooth® cũng như biểu tượng ảnh (các logo) do công ty cổ phần Bluetooth SIG đăng ký nhãn hiệu và sở hữu. Công ty trách nhiệm hữu hạn Robert Bosch Power Tools GmbH đã được cấp phép để sử dụng những biểu tượng chữ/biểu tượng ảnh này với sản phẩm của mình.



CẢNH BÁO



Đảm bảo rằng pin nút áo không ở trong tay trẻ em. Pin nút áo rất nguy hiểm.

- ▶ **Không bao giờ được nuốt pin nút áo hoặc nhét vào các chỗ hở trên cơ thể.** Nếu nghi ngờ đã nuốt phải pin nút áo hoặc bị lọt vào một lỗ trên cơ thể, hãy đến bác sỹ ngay lập tức. Việc nuốt pin nút áo có thể dẫn đến bóng nặng bên trong và dẫn đến tử vong trong vòng 2 giờ.
- ▶ **Khi thay pin nút áo hãy chú ý thay pin đúng cách.** Sự nguy hiểm của nổ.
- ▶ **Chỉ sử dụng pin cúc áo được nêu trong hướng dẫn vận hành này.** Không sử dụng pin cúc áo khác hoặc một nguồn năng lượng khác.
- ▶ **Không cố sạc lại các pin nút áo và không làm chập mạch pin nút áo.** Pin nút áo có thể rò rỉ, phát nổ, cháy và gây thương tích cho người.
- ▶ **Tháo và xử lý các pin nút áo đã tháo xả đúng cách.** Các pin nút áo đã tháo xả có thể rò rỉ và do đó gây hư hỏng sản phẩm hoặc gây thương tích cho người.

- ▶ **Không làm quá nhiệt pin nút áo và không ném vào lửa.** Pin nút áo có thể rò rỉ, phát nổ, cháy và gây thương tích cho người.
- ▶ **Không phá hủy pin nút áo và không tháo dỡ pin nút áo.** Pin nút áo có thể rò rỉ, phát nổ, cháy và gây thương tích cho người.
- ▶ **Không để pin nút áo đã hỏng tiếp xúc với nước.** Lithium rò rỉ có thể tạo ra hydro cùng với nước và do đó dẫn đến cháy, nổ hoặc gây thương tích cho người.

Mô Tả Sản Phẩm và Đặc Tính Kỹ Thuật



Đọc kỹ mọi cảnh báo an toàn và mọi hướng dẫn. Không tuân thủ mọi cảnh báo và hướng dẫn được liệt kê dưới đây có thể bị điện giật, gây cháy và / hay bị thương tật nghiêm trọng.

Xin lưu ý các hình minh họa trong phần trước của hướng dẫn vận hành.

Sử dụng đúng cách

Máy được cung cấp dành cho mục đích cố định và tháo các vít và đế khoan trên các chất liệu gỗ, kim loại và nhựa.

Dụng cụ điện có thể được sử dụng với một đồ gá góc vuông (GFA 18-W), đồ gá góc vuông với đầu cặp mũi khoan kim loại (GFA 18-WM), tấm đĩa lệch tâm (GFA 18-E), đồ gá đầu cặp mũi khoan (GFA 18-B), đồ gá đầu cặp mũi khoan kim loại (GFA 18-M) hoặc đồ gá khoan búa (GFA 18-H).

Khi *Bluetooth®* Low Energy Module được sử dụng, dữ liệu và các cài đặt của dụng cụ điện có thể được truyền đi giữa dụng cụ điện và một thiết bị đầu cuối di động **GCY 42 / GCY 42 NC** bằng công nghệ sóng vô tuyến *Bluetooth®*.

Các bộ phận được minh họa

Việc đánh số các thành phần đã minh họa liên quan đến mô tả dụng cụ điện trên trang hình ảnh.

- (1) Phần lắp dụng cụ
 - (2) Vòng khóa
 - (3) Vòng điều chỉnh chọn trước mô-men xoắn
 - (4) Công tắc chọn số
 - (5) Nắp Bluetooth® Low Energy Module **GCY 42 / GCY 42 NC**
 - (6) Ống cặp mũi khoan^{a)}
 - (7) Móc cài dây thắt lưng^{a)}
 - (8) Pin^{a)}
 - (9) Nút tháo pin^{a)}
 - (10) Giao diện người dùng
 - (11) Gạc vận chuyển đổi chiều quay
 - (12) Công tắc Tắt/Mở
 - (13) Tay nắm (bề mặt nắm cách điện)
 - (14) Đồ gá đầu cặp mũi khoan kim loại GFA 18-M^{a)}
 - (15) Đồ gá đầu cặp mũi khoan GFA 18-B^{a)}
 - (16) Đồ gá góc vuông GFA 18-W^{a)}
 - (17) Tấm đĩa lệch tâm GFA 18-E^{a)}
 - (18) Đồ gá góc vuông với đầu cặp mũi khoan kim loại GFA 18-WM^{a)}
 - (19) Đồ gá khoan búa GFA 18-H^{a)}
 - (20) Vòng khóa^{a)}
- Giao diện người dùng**
- (21) Hiện thị trạng thái dụng cụ điện
 - (22) LED cho KickBack Control
 - (23) Nút cho KickBack Control
 - (24) Đèn làm việc (LED)
 - (25) Nút cho ly hợp chính xác
 - (26) LED cho ly hợp chính xác

a) Phụ kiện này không thuộc phạm vi giao hàng tiêu chuẩn.

Thông số kỹ thuật

Máy bắt vít pin		GSR 18V-90 FC	GFA 18-M	GFA 18-W	GFA 18-E	GFA 18-WM
Mã số máy		3 601 JK6 2..	-	-	-	-
Điện thế danh định	V=	18	-	-	-	-
Tốc độ không tải ^{A)}						
- Số 1	/phút	0-630	-	-	-	-
- Số 2	/phút	0-2100	-	-	-	-
Mô-men xoắn tối đa (mềm) ^{A)}	Nm	36	-	-	-	-
Mô-men xoắn tối đa (cứng) ^{A)}	Nm	64	-	-	-	-
Ø lỗ khoan tối đa						
- Gỗ	mm	68	-	-	-	-
- Thép	mm	13	-	-	-	-

Máy bắt vít pin		GSR 18V-90 FC	GFA 18-M	GFA 18-W	GFA 18-E	GFA 18-WM
– Bê tông	mm	10	–	–	–	–
Ø vít máy tối đa	mm	12	–	–	–	–
Phần lắp dụng cụ	mm	Ốc-vít sáu cạnh 6,35 ¼"	1,5–13	Ốc-vít sáu cạnh 6,35 ¼"	Ốc-vít sáu cạnh 6,35 ¼"	1,5–13
Trọng lượng ^{B)}	kg	1,3–2,3 ^{C)}	0,38	0,44	0,44	0,66
Nhiệt độ môi trường được khuyến nghị khi sạc	°C	0 ... +35				
Nhiệt độ môi trường cho phép trong quá trình vận hành và trong quá trình lưu trữ	°C	–20 ... +50				
Pin được khuyến dùng		GBA 18V... ProCORE18V...	–	–	–	–
Thiết bị nạp được giới thiệu		GAL 18... GAX 18... GAL 36...	–	–	–	–

A) được đo ở 20–25 °C với pin **GBA 18V 5.0Ah**

B) tùy vào loại pin lốc đang sử dụng

C) Đã đo với **GBA 18V 1.5Ah** và **GBA 18V 12.0Ah**.

Các giá trị có thể khác nhau tùy thuộc vào sản phẩm và tùy thuộc vào ứng dụng và điều kiện môi trường. Xem thêm thông tin chi tiết trên trang www.bosch-professional.com/wac.

Pin

Bosch mua dụng cụ điện chạy pin không có pin. Dù pin được bao gồm trong phạm vi giao hàng của dụng cụ điện, bạn có thể tháo bao gì.

Sạc pin

► **Chỉ sử dụng bộ sạc được đề cập trong dữ liệu kỹ thuật.** Chỉ những bộ sạc này phù hợp cho dụng cụ điện cầm tay của bạn có sử dụng pin Li-Ion.

Hướng dẫn: Pin Lithium-ion được giao một phần do các quy định vận tải quốc tế. Để bảo đảm đầy đủ điện dung, nạp điện hoàn toàn lại cho pin trước khi sử dụng cho lần đầu tiên.

Lắp pin

Hãy đẩy pin đã sạc vào giá gắn pin cho đến khi nó vào khớp.

Tháo pin ra



Để tháo pin bạn hãy ấn nút mở khóa pin và kéo pin ra. **Không dùng sức.**

Pin có 2 mức khóa, có nhiệm vụ ngăn ngừa pin bị rơi ra do vô ý bấm phải nút tháo pin. Cứ khi nào pin còn được lắp trong dụng cụ điện, nó vẫn được giữ nguyên vị trí nhờ vào một lò xo.

Đèn báo trạng thái nạp pin

Lưu ý: Không phải mọi loại pin đều có một hiển thị mức sạc.

Các đèn LED màu xanh của màn hình hiển thị tình trạng sạc pin chỉ ra tình trạng sạc của pin. Vì lý do an toàn, ta chỉ có thể kiểm tra trạng thái của tình trạng nạp điện khi máy đã ngừng hoạt động hoàn toàn.

Để hiển thị tình trạng nạp, bạn hãy nhấn nút để hiển thị mức sạc  hoặc . Điều này cũng có thể thực hiện khi ắc quy được tháo ra.

Đèn LED không sáng sau khi nhấn nút để hiển thị mức sạc có nghĩa là pin bị hỏng và phải được thay thế.

Mức sạc pin cũng được hiển thị trên giao diện người dùng (xem „Hiển thị trạng thái“, Trang 88).

Kiểu pin GBA 18V...



LED	Điện dung
Đèn sáng liên tục 3× màu xanh lá	60–100 %
Đèn sáng liên tục 2× màu xanh lá	30–60 %
Đèn sáng liên tục 1× màu xanh lá	5–30 %
Đèn nhấp nháy 1× màu xanh lá	0–5 %

Kiểu pin ProCORE18V...



LED	Điện dung
Đèn sáng liên tục 5× màu xanh lá	80–100 %

LED	Điện dung
Đèn sáng liên tục 4x màu xanh lá	60–80 %
Đèn sáng liên tục 3x màu xanh lá	40–60 %
Đèn sáng liên tục 2x màu xanh lá	20–40 %
Đèn sáng liên tục 1x màu xanh lá	5–20 %
Đèn nhấp nháy 1x màu xanh lá	0–5 %

Các Khuyến Nghị về Cách Bảo Dưỡng Tốt Nhất cho Pin

Bảo vệ pin hợp khối tránh sự ẩm ướt và nước. Chỉ bảo quản pin trong tầm nhiệt độ nằm giữa –20 °C và 50 °C. Không để pin trong ô tô vào mùa hè.

Thỉnh thoảng làm sạch các khe thông gió của pin bằng cách dùng một cái cọ khô, mềm và sạch.

Sự giảm sút đáng kể thời gian hoạt động sau khi nạp điện chỉ rõ rằng pin hợp khối đã hết công dụng và phải được thay.

Qui trình hoạt động được chia ra làm hai giai đoạn.

Sự lắp vào

- Trước khi tiến hành bất cứ công việc gì với máy (ví dụ: bảo dưỡng, thay dụng cụ v.v.) tháo pin ra khỏi dụng cụ điện. Có nguy cơ gây thương tích khi vô tình làm kích hoạt công tắc bật/tắt.

Sử dụng Bluetooth® Low Energy Module GCY 42 / GCY 42 NC

Để biết thông tin về Bluetooth® Low Energy Module GCY 42 / GCY 42 NC, hãy đọc hướng dẫn vận hành đi kèm.

Thay Dụng Cụ

Thay phụ tùng (xem hình A)

Đẩy vòng Khóa (2) về phía sau và đặt phụ tùng vào phần lắp dụng cụ (1). Nhả vòng khóa (2), để khóa phụ tùng

Tháo phụ tùng

Hãy đẩy vòng Khóa (2) ra phía sau và kéo phụ tùng khỏi khe cắm (1).

Lắp đồ gá (xem hình B)

Tháo phụ tùng ra.

Lắp đồ gá vào khe cắm (1). Vận vòng khóa (20), cho tới khi nghe thấy tiếng vào khớp.

Gắn phụ tùng vào đồ gá

GFA 18-E/GFA 18-W (xem hình C):

Đẩy vòng Khóa (2) về phía sau và đặt phụ tùng vào phần lắp dụng cụ (1). Nhả vòng khóa (2), để khóa phụ tùng

GFA 18-M/GFA 18-B/GFA 18-WM (xem Hình D):

Hãy mở đồ gá đầu cặp mũi khoan bằng cách vận theo hướng xoay ①, cho tới khi phụ tùng có thể được cắm vào. Hãy gắn phụ tùng vào.

Hãy xoay bạc lót của đồ gá đầu cặp mũi khoan vào theo chiều xoay ② của tay thật mạnh. Bằng cách đó, đầu cặp mũi khoan sẽ tự động được khóa.

Xoay đồ gá (GFA 18-W, GFA 18-E, GFA 18-WM) (xem hình E)

Kéo đồ gá về phía trước. Xoay đồ gá vào vị trí mong muốn và nhả ra, để khóa. Đồ gá khớp vào 16 vị trí trải rộng trên 360 độ.

Tháo đồ gá (xem hình F)

Tháo phụ tùng ra.

Mở khóa đồ gá theo hướng ③ và rút nó ra khỏi khe cắm (1).

Hút Dăm/Bụi

Mạt bụi từ các vật liệu được sơn phủ ngoài có chứa chì trên một số loại gỗ, khoáng vật và kim loại có thể gây nguy hại đến sức khỏe con người. Đụng chạm hay hít thở các bụi này có thể làm người sử dụng hay đứng gần bị dị ứng và/hoặc gây nhiễm trùng hệ hô hấp.

Một số mạt bụi cụ thể, ví dụ như bụi gỗ sồi hay đậu, được xem là chất gây ung thư, đặc biệt là có liên quan đến các chất phụ gia dùng xử lý gỗ (chất cromat, chất bảo quản gỗ). Có thể chỉ nên để thợ chuyên môn gia công các loại vật liệu có chứa amiăng.

- Tạo không khí thông thoáng nơi làm việc.
- Khuyến nghị nên mang mặt nạ phòng độc có bộ lọc cấp P2.

Tuân thủ các qui định của quốc gia bạn liên quan đến loại vật liệu gia công.

- **Tránh không để rác tích tụ tại nơi làm việc.** Rác có thể dễ dàng bắt lửa.

Vận Hành

Bắt Đầu Vận Hành

Điều chỉnh hướng xoay (xem hình H)


- Chỉ kích hoạt gạt vận chuyển đổi chiều quay (11) khi dụng cụ điện đã ngừng chạy.


Với gạt vận chuyển đổi chiều quay (11) bạn có thể thay đổi hướng xoay của dụng cụ điện. Tuy nhiên, việc này không thực hiện được khi công tắc Tắt/Mở được nhấn (12).


Quay phải: Để khoan hay bắt vít, đẩy gạt vận chuyển đổi chiều quay (11) sang trái đến cỡ chặn.

Xoay ngược chiều kim đồng hồ: Để nối lỏng hoặc tháo các vít và đai ốc hãy nhấn gạt vận chuyển đổi chiều quay (11) sang bên phải cho tới cỡ chặn.

Chỉnh đặc lực xoắn

Với vòng điều chỉnh chọn trước mô-men xoắn (3) bạn có thể chọn trước mô-men xoắn cần thiết ở 20 mức. Với việc chỉnh đặt đúng, dụng cụ lắp trong máy ngừng ngay sau khi vít được bắt vào bằng với bề mặt vật liệu hay khi lực vặn chính đặt đã đạt được. Ở vị trí , khớp nối chặn bị vô hiệu, ví dụ để khoan.

Chọn một cài đặt cao hơn khi vặn vít ra hoặc vặn sang biểu tượng .

Trong vị trí , đạt được mô-men xoắn tối đa để khoan và vặn vít.

Sự chọn lực Truyền động, Cơ học

► **Chỉ kích hoạt công tắc chọn vòng truyền động (4) khi dụng cụ điện đã ngừng chạy.**

► **Luôn luôn đưa công tắc chọn số về vị trí dừng.** Nếu không, máy có thể bị làm hỏng.

Với công tắc chọn vòng truyền động (4), có thể chọn sẵn 2 tâm tốc độ.

Vị trí Công tắc chọn số (4)	Số vòng quay	Mô men xoắn	Phạm vi áp dụng
1	Thấp	Cao	Cho các ứng dụng nặng: ví dụ khoan thường và bắt vít với đường kính lớn
2	Cao	Thấp	Cho các ứng dụng nhẹ: ví dụ khoan thường và bắt vít với đường kính nhỏ

Điều chỉnh chế độ vận hành



Khoan

Đặt vòng điều chỉnh chọn trước mô-men xoắn (3) lên biểu tượng "Khoan", để đạt mô-men xoắn tối đa khi khoan và vặn vít.



Vặn vít

Đặt vòng điều chỉnh chọn trước mô-men xoắn (3) thành mức mô-men xoắn mong muốn.

Bật Mở và Tắt

Để **vận hành thử** dụng cụ điện hãy nhấn công tắc Tắt/Mở (12) và nhấn giữ.

Đèn làm việc (24) bật sáng khi công tắc tắt/mở được nhấn nhẹ hoặc nhấn hết cỡ (12) và cho phép chiếu sáng khu vực làm việc ở các điều kiện chiếu sáng kém.

Điều chỉnh tốc độ

Bạn có thể điều tiết liên tục số vòng quay của dụng cụ điện đã bật, tùy vào việc bạn nhấn công tắc Tắt/Mở như thế nào (12).

Nhấn nhẹ trên công tắc Tắt/Mở (12) sẽ kích hoạt số vòng quay thấp. Tăng lực nhấn lên công tắc làm tăng tốc độ quay.

Bảo vệ chống quá tải dựa trên nhiệt độ

Trong quá trình sử dụng sắp tới, không được để dụng cụ điện bị quá tải. Khi trọng tải lớn hoặc vượt qua khoảng nhiệt độ vận hành cho phép, tốc độ nâng sẽ giảm hoặc dụng cụ điện sẽ bị ngắt. Dụng cụ điện chỉ chạy với tốc độ tối đa sau khi đạt nhiệt độ vận hành cho phép.

Bảo vệ quá tải phụ thuộc vào nhiệt độ được biểu thị bằng đèn LED sáng đỏ trên dụng cụ điện.

– Để đạt lại khoảng nhiệt độ hoạt động cho phép, hãy vận hành dụng cụ điện ở chế độ không tải hoặc đợi cho đến khi đèn LED sáng xanh lá trở lại.

Nếu LED sáng xanh lá, thiết bị không đạt khoảng nhiệt độ vận hành cho phép.

Giao diện người dùng (xem Hình I)

Giao diện người dùng (10) dùng để kích hoạt và bỏ kích hoạt ly hợp chính xác "Precision Clutch" và ngắt nhanh "KickBack Control" cũng như để hiển thị trạng thái của dụng cụ điện.

Ly hợp chính xác (Precision Clutch)



Ly hợp chính xác ngừng khóa quá mức khi đạt đến mô-men xoắn đã đặt, do đó giảm độ mòn ly hợp và tiếng ồn gây ra.

Có thể bỏ kích hoạt ly hợp chính xác trên giao diện người dùng (10) bằng nút ly hợp chính xác (25). Tình trạng hiện tại được hiển thị qua LED ly hợp chính xác (26) trên giao diện người dùng (10).

Chế độ ngắt nhanh (Kickback Control)



Chế độ ngắt nhanh (KickBack Control) sẽ cung cấp cách kiểm soát dụng cụ điện tốt hơn và qua đó làm tăng mức độ bảo vệ người dùng so với các dụng cụ điện không có

KickBack Control. Ở những vòng quay đột ngột và không thể đoán trước của dụng cụ điện, dụng cụ điện sẽ tắt trực máy khoan.

Chế độ ngắt nhanh được hiển thị bằng nhấp nháy đỏ của LED (21), ánh sáng nhấp nháy của đèn làm việc (24) cũng như đèn màu đỏ của LED KickBack Control (22) trên dụng cụ điện.

Để **khởi động lại** hãy thả nút bật tắt và nhấn lại lần nữa.

► **Nếu chức năng KickBack Control hỏng, không cho bật dụng cụ điện nữa. Chỉ để người có chuyên môn được đào tạo sửa dụng cụ điện và chỉ dùng các phụ tùng gốc để sửa chữa.**

Có thể bỏ kích hoạt chế độ ngắt nhanh trên giao diện người dùng (10) bằng nút KickBack Control (23). Nếu dụng cụ điện không được sử dụng trong hơn 5 phút hoặc nếu pin đã được tháo ra, chế độ ngắt nhanh sẽ tự động bật lại. Tình trạng

Hiện thị trạng thái

Hiện thị trạng thái dụng cụ điện	Ý nghĩa/Nguyên nhân	Cách khắc phục
Màu xanh lá	Trạng thái OK	–
Vàng	Đạt nhiệt độ tối hạn, pin gần cạn hoặc KickBack Control được tắt	Cho chạy dụng cụ điện trong chế độ chạy không tải và làm mát, thay hoặc sạc pin hay nhấn nút KickBack Control
Sáng đỏ	Dụng cụ điện bị quá nhiệt hoặc ắc quy cạn	Hãy để nguội dụng cụ điện, thay hoặc sạc pin
Nhấp nháy đỏ	Chế độ ngắt nhanh được kích hoạt	Tắt dụng cụ điện và bật lại
Nháy xanh dương	Dụng cụ điện được kết nối với thiết bị đầu cuối di động hoặc các cài đặt được truyền đi	–

Các chức năng kết nối

Các chức năng kết nối sau đây của dụng cụ điện sẽ khả dụng khi kết hợp với *Bluetooth®* Low Energy Module **GCY 42 / GCY 42 NC**:

- Đăng ký và cá nhân hóa
- Kiểm tra trạng thái, phát các thông báo cảnh báo
- Các thông tin chung
- Quản lý
- Bật/tắt đèn làm việc
- Điều chỉnh độ sáng đèn làm việc và thời gian sáng thêm của đèn làm việc
- Điều chỉnh độ sáng giao diện người dùng và thời gian sáng thêm

Để biết thông tin về *Bluetooth®* Low Energy Module **GCY 42 / GCY 42 NC**, hãy đọc hướng dẫn vận hành đi kèm.

Hướng Dẫn Sử Dụng

- ▶ **Dụng cụ điện với mô-đun *Bluetooth®* Low Energy Module GCY 42 / GCY 42 NC đã lắp (phụ kiện) được trang bị một giao diện sóng vô tuyến. Hãy chú ý các giới hạn địa điểm hoạt động ví dụ như trên máy bay hoặc bệnh viện.**

- ▶ **Chỉ đặt dụng cụ điện lên vít khi nó đã tắt.**
Dụng cụ gài đang quay có thể bị tuột ra.

Móc cài dây thắt lưng

Với móc cài dây thắt lưng (7), bạn có thể treo dụng cụ điện, ví dụ, vào đai lưng. Sau đó bạn sẽ có hai tay tự do và dụng cụ điện sẽ luôn luôn dễ sử dụng.

hiện tại được hiển thị qua (22) trên giao diện người dùng (10).

- ▶ **Lưu ý: Đèn cảnh báo LED không thể nhìn thấy từ mọi hướng! Khi ánh sáng mặt trời mạnh, sẽ khó nhìn thấy đèn cảnh báo.**

Bảo Dưỡng và Bảo Quản

Bảo Dưỡng Và Làm Sạch

- ▶ **Trước khi tiến hành bất cứ công việc gì với máy (ví dụ: bảo dưỡng, thay dụng cụ v.v..) tháo pin ra khỏi dụng cụ điện.** Có nguy cơ gây thương tích khi vô tình làm kích hoạt công tắc bật/tắt.
- ▶ **Để được an toàn và máy hoạt động đúng chức năng, luôn luôn giữ máy và các khe thông gió được sạch.**

Dịch vụ hỗ trợ khách hàng và tư vấn sử dụng

Bộ phận phục vụ hàng sau khi bán của chúng tôi trả lời các câu hỏi liên quan đến việc bảo dưỡng và sửa chữa các sản phẩm cũng như phụ tùng thay thế của bạn. Sơ đồ mô tả và thông tin về phụ tùng thay thế cũng có thể tra cứu theo dưới đây: www.bosch-pt.com

Đội ngũ tư vấn sử dụng của Bosch sẽ giúp bạn giải đáp các thắc mắc về sản phẩm và phụ kiện.

Trong tất cả các phản hồi và đơn đặt phụ tùng, xin vui lòng luôn luôn nhập số hàng hóa 10 chữ số theo nhân của hàng hóa.

Việt Nam

CN CÔNG TY TNHH BOSCH VIỆT NAM TẠI TP.HCM

Tầng 14, Ngõ Nhà Đức, 33 Lê Duẩn
Phường Bến Nghé, Quận 1, Thành Phố Hồ Chí Minh

Tel.: (028) 6258 3690

Fax: (028) 6258 3692 - 6258 3694

Hotline: 1900 9988 50

Email: tuvankhachhang-pt@vn.bosch.com
www.bosch-pt.com.vn

Xem thêm địa chỉ dịch vụ tại:

www.bosch-pt.com/serviceaddresses

Vận chuyển

Pin Li-Ion được khuyến nghị là đối tượng phải tuân theo các quy định của Pháp Luật về Hàng Hóa Nguy Hiểm. Người sử dụng có thể vận chuyển pin hợp khối bằng đường bộ mà không cần thêm yêu cầu nào khác.

Khi được vận chuyển thông qua bên thứ ba (vd. vận chuyển bằng đường hàng không hay đại lý giao nhận), phải tuân theo các yêu cầu đặc biệt về đóng gói và dán nhãn. Phải tham vấn chuyên gia về hàng hóa nguy hiểm khi chuẩn bị gói hàng.

Chỉ gửi pin hợp khối khi vỏ ngoài không bị hư hỏng. Dán băng keo hay che kín các điểm tiếp xúc hở và đóng gói pin hợp khối theo cách sao cho pin không thể xô dịch khi nằm trong bao bì. Ngoài ra, xin vui lòng chấp hành các quy định chi tiết có thể được bổ sung thêm của quốc gia.

Sự thái độ



Dụng cụ điện, pin, phụ kiện và bao bì cần được tái sử dụng theo quy định về môi trường.



Bạn không được ném dụng cụ điện và pin vào thùng rác gia đình!

Pin/ắc quy:

Li-Ion:

Tuân thủ những hướng dẫn trong phần vận chuyển (xem „Vận chuyển“, Trang 89).

مخصص للاستعمال الخارجي من خطر الصدمات الكهربائية.

إن لم يكن بالإمكان تجنب تشغيل العدة الكهربائية في الأجواء الرطبة، فاستخدم مفتاح للوقاية من التيار المتخلف. إن استخدام مفتاح للوقاية من التيار المتخلف يقلل خطر الصدمات الكهربائية.

أمان الأشخاص

كن يقظا وانتبه إلى ما تفعله واستخدم العدة الكهربائية بتعقل. لا تستخدم عدة كهربائية عندما تكون متعبا أو عندما تكون تحت تأثير المخدرات أو الكحول أو الأدوية. عدم الانتباه للحظة واحدة عند استخدام العدة الكهربائية قد يؤدي إلى إصابات خطيرة.

قم لارتداء تجهيزات الحماية الشخصية. وارتد دائما نظارات واقية. يحد ارتداء تجهيزات الحماية الشخصية، كقناع الوقاية من الغبار وأحذية الأمان الواقية من الانزلاق والوذو أو واقية الأذنين، حسب ظروف استعمال العدة الكهربائية، من خطر الإصابة بجروح.

تجنب التشغيل بشكل غير مقصود. تأكد من كون العدة الكهربائية مطفأة قبل توصيلها بالتيار الكهربائي و/أو بالمركم، وقبل رفعها أو حملها. إن كنت تضع إصبعك على المفتاح أثناء حمل العدة الكهربائية أو إن وصلت الجهاز بالشبكة الكهربائية بينما لا مفتاح على وضع التشغيل، قد يؤدي إلى وقوع الحوادث.

انزع أداة الضبط أو مفتاح الربط قبل تشغيل العدة الكهربائية. قد تؤدي الأداة أو المفتاح المتواجد في جزء دوار من الجهاز إلى الإصابة بجروح.

تجنب أوضاع الجسم غير الطبيعية. قف بأمان وحافظ على توازنك دائما. سيسمح لك ذلك بالتمكّن في الجهاز بشكل أفضل في الموافف الغير متوقعة.

قم بارتداء ثياب مناسبة. لا ترتد الثياب الفضفاضة أو الحللى. احرص على إبقاء الشعر والملابس بعيدا عن الأجزاء المتحركة. قد تشابك الثياب الفضفاضة والحلى والشعر الطويل بالأجزاء المتحركة.

إن جاز تركيب تجهيزات شفت وتجميع الغبار، فتأكد من أنها موصولة وبأنه يتم استخدامها بشكل سليم. قد يقلل استخدام تجهيزات لشفت الغبار من المخاطر الناتجة عن الغبار.

لا تستخدم العدة الكهربائية بلا مبالاة وتتجاهل قواعد الأمان الخاصة بها نتيجة لتعودك على استخدام العدة الكهربائية وكثرة استخدامها. فقد يتسبب الاستخدام دون حرص في حدوث إصابة بالغة تحدث في أجزاء من الثانية.

حسن معاملة واستخدام العدد الكهربائية

لا تفرط بتحميل الجهاز. استخدم لتنفيذ أشغالك العدة الكهربائية المخصصة لذلك. إنك تعمل بشكل أفضل وأكثر أماناً بواسطة العدة الكهربائية الملائمة في مجال الأداء المذكور.

لا تستخدم العدة الكهربائية إن كان مفتاح تشغيلها تالف. العدة الكهربائية التي لم يعد من

عربي

إرشادات الأمان

الإرشادات العامة للأمان بالعدد الكهربائية

تحذير

اطلع على كافة تحذيرات الأمان والتعليمات والصور والمواصفات المرفقة بالعدة الكهربائية. عدم اتباع التعليمات الواردة أدناه قد يؤدي إلى حدوث صدمة كهربائية، إلى نشوب حريق و/أو الإصابة بجروح خطيرة.

احتفظ بجميع الملاحظات التحذيرية والتعليمات للمستقبل.

يقصد بمصطلح «العدة الكهربائية» المستخدم في الملاحظات التحذيرية، العدد الكهربائية الموصولة بالشبكة الكهربائية (بواسطة كابل الشبكة الكهربائية) وأيضاً العدد الكهربائية المزودة بمركم (دون كابل الشبكة الكهربائية).

الأمان بمكان الشغل

حافظ على نظافة مكان شغلك وإضاءته بشكل جيد. الفوضى في مكان الشغل ونطاقات العمل غير المضاة قد تؤدي إلى وقوع الحوادث.

لا تشتغل بالعدة الكهربائية في نطاق معرض لخطر الانفجار مثل الأماكن التي تتوفر فيه السوائل أو الغازات أو الأبخرة القابلة للاشتعال. العدد الكهربائية تولد شرراً قد يتطاير، فيشعل الأبخرة والأبخرة.

حافظ على بقاء الأطفال وغيرهم من الأشخاص بعيدا عندما تستعمل العدة الكهربائية. تشتيت الانتباه قد يتسبب في فقدان السيطرة على الجهاز.

الأمان الكهربائي

يجب أن يتلائم قابس العدة الكهربائية مع المقبس. لا يجوز تغيير القابس بأي حال من الأحوال. لا تستعمل القوايس المهينة مع العدد الكهربائية المؤرّضة (ذات طرف أرضي). تخفّض القوايس التي لم يتم تغييرها والمقابس الملائمة من خطر الصدمات الكهربائية.

تجنب ملامسة جسمك للأسطح المؤرّضة كالأنابيب والمبردات والمواقد أو التلّاجات. يزداد خطر الصدمات الكهربائية عندما يكون جسمك مؤرّض أو موصول بالأرضي.

أبعد العدة الكهربائية عن الأمطار أو الرطوبة. يزداد خطر الصدمات الكهربائية إن تسرب الماء إلى داخل العدة الكهربائية.

لا تسيّ استعمال الكابل. لا تستخدم الكابل في حمل العدة الكهربائية أو سحبها أو سحب القابس من المقبس. احرص على إبعاد الكابل عن الحرارة والزيت والحواف الحادة أو الأجزاء المتحركة. تزيد الكابلات التالفة أو المتشابكة من خطر الصدمات الكهربائية.

عند استخدام العدة الكهربائية خارج المنزل اقتصر على استخدام كابلات التمديد الصالحة للاستعمال الخارجي. يقلل استعمال كابل تمديد

ذلك. قد يؤدي سائل المركم المتسرب إلى تهيج البشرة أو إلى الاحتراق.

- ◀ لا تستخدم عدة أو مركم تعرضاً لأضرار أو للتعديل. البطاريات المتعرضة لأضرار أو لتعديلات لا تنتج عنها أشياء لا يمكن التنبؤ بها، قد تسبب نشوب حريق أو حدوث انفجار أو إصابات.
- ◀ لا تعرض المركم أو العدة للهب أو لدرجة حرارة زائدة. التعرض للهب أو لدرجة حرارة أعلى من 130 °م قد يتسبب في انفجار.
- ◀ اتبع تعليمات الشحن ولا تقم بشحن المركم أو العدة خارج نطاق درجة الحرارة المحدد في التعليمات. الشحن بشكل غير صحيح أو في درجات حرارة خارج النطاق المحدد قد يعرض المركم لأضرار ويزيد من مخاطر الحريق.

الخدمة

- ◀ احرص على إصلاح عدتك الكهربائية فقط بواسطة العمال المتخصصين وباستعمال قطع الغيار الأصلية فقط. يضمن ذلك المحافظة على أمان الجهاز.
- ◀ لا تقم بإجراء أعمال خدمة على المراكم التالفة. أعمال الخدمة على المراكم يجب أن تقوم بها الجهة الصانعة فقط أو مقدم الخدمة المعتمد.

تعليمات الأمان لمفكات اللوالب

تعليمات الأمان لكافة التطبيقات

- ◀ أمسك العدة الكهربائية من أسطح المسك المعزولة عند القيام بأعمال قد يترتب عليها ملامسة ملحق القطع أو عناصر التثبيت لأسلاك كهربائية غير ظاهرة. ملامسة ملحق القطع أو أدوات الربط لسلك «مكهرب» قد يتسبب في مرور التيار في الأجزاء المعدنية من العدة وجعلها مكهربة مما قد يصيب المشغل بصدمة كهربائية.

تعليمات الأمان عند استخدام ريش ثقب طويلة

- ◀ لا تقم أبداً بالتشغيل بسرعة أعلى من السرعة القصوى المقررة لريشة الثقب. فعلى السرعات العالية ستكون الريشة معرضة للثني في حالة دورانها بشكل حر دون لمس قطعة الشغل، مما قد يؤدي لوقوع إصابات.
- ◀ احرص دائماً على بدء الثقب بسرعة منخفضة بحيث تكون رأس الريشة ملامسة لقطعة الشغل. فعلى السرعات العالية ستكون الريشة معرضة للثني في حالة دورانها بشكل حر دون لمس قطعة الشغل، مما قد يؤدي لوقوع إصابات.
- ◀ لا تضغط إلا على خط واحد مع الريشة، ولا تضغط بشكل زائد. فقد تتثنى الريشة، وتعرض للكسر أو تسبب فقدان السيطرة، مما يؤدي لوقوع إصابات.

إرشادات الأمان الإضافية

- ◀ احرص على تأمين قطعة الشغل. قطعة الشغل المثبتة بواسطة تجهيز شدة أو بواسطة الملزمة مثبتة بأمان أكبر مما لو تم الإمساك بها بواسطة يدك.

الممكن التحكم بها عن طريق مفتاح التشغيل والإطفاء تعتبر خطيرة ويجب أن يتم إصلاحها.

- ◀ اسحب القابس من المقبس و/أو اخلع المركم، إذا كان قابلاً للخلع، قبل ضبط الجهاز وقبل استبدال الملحقات أو قبل تخزين الجهاز. تمنع هذه الإجراءات وقائية تشغيل العدة الكهربائية بشكل غير مقصود.
- ◀ احتفظ بالعدد الكهربائية التي لا يتم استخدامها بعيداً عن متناول الأطفال. لا تسمح باستخدام العدة الكهربائية لمن لا خبرة له بها أو لمن لم يقرأ تلك التعليمات. العدد الكهربائي خطيرة إن تم استخدامها من قبل أشخاص دون خبرة.

- ◀ اعتن بالعدة الكهربائية والملحقات بشكل جيد. تأكد أن أجزاء الجهاز المتحركة مركبة بشكل سليم وغير مستعصية عن الحركة، وتفحص ما إن كانت هناك أجزاء مكسورة أو في حالة تؤثر على سلامة أداء العدة الكهربائية. ينبغي إصلاح هذه الأجزاء التالفة قبل إعادة تشغيل الجهاز. الكثير من الحوادث مصدرها العدد الكهربائية التي تتم صيانتها بشكل رديء.

- ◀ احرص على إبقاء عدد القطع نظيفة وحادة. إن عدد القطع ذات حواف القطع المادة التي تم صيانتها بعناية تتكلم بشكل أقل ويمكن توجيهها بشكل أيسر.

- ◀ استخدم العدد الكهربائية والتوابع وريش الشغل إلخ. وفقاً لهذه التعليمات. تراعى أثناء ذلك ظروف الشغل والعمل المراد تنفيذه. استخدام العدد الكهربائية لغير الأشغال المخصصة لأجلها قد يؤدي إلى حدوث الحلات الخطيرة.
- ◀ احرص على إبقاء المقابض وأسطح المسك جافة ونظيفة وخالية من الزيوت والشحوم. المقابض وأسطح المسك الزلقة لا تتبع التشغيل والتحكم الأمان في العدة في المواقف غير المتوقعة.

- ◀ حسن معاملة واستخدام العدد المزودة بمركم اشحن المراكم فقط في أجهزة الشحن التي يُنصح باستخدامها من طرف المنتج. قد يتسبب جهاز الشحن المخصصة لنوع معين من المراكم في خطر الحريق إن تم استخدامه مع نوع آخر من المراكم.

- ◀ استخدم العدد الكهربائية فقط مع المراكم المصممة لهذا الغرض. قد يؤدي استخدام المراكم الأخرى إلى إصابات وإلى خطر نشوب الحرائق.

- ◀ حافظ على إبعاد المركم الذي لا يتم استعماله عن مشابك الورق وقطع النقود المعدنية والمفاتيح والمسامير واللوالب أو غيرها من الأغراض المعدنية الصغيرة التي قد تقوم بتوصيل الملامسين ببعضهما البعض. قد يؤدي تقصير الدارة الكهربائية بين ملامسي المركم إلى الاحتراق أو إلى اندلاع النار.
- ◀ قد يتسرب السائل من المركم في حالة سوء الاستعمال. تجنب ملامسته. اشطفه بالماء في حال ملامسته بشكل غير مقصود. إن وصل السائل إلى العينين، فراجع الطبيب إضافة إلى

انتظر إلى أن تتوقف العدة الكهربائية عن الحركة قبل أن تضعها جانباً. قد تتكلم عدة الشغل فتؤدي إلى فقدان السيطرة على العدة الكهربائية.

أوقف العدة الكهربائية على الفور في حالة تعرض عدة الشغل للانحصار. كن مستعداً لمواجهة عزم رد الفعل العالية، والتي تسبب صدمة ارتدادية. تنحصر عدة الشغل عندما يتم التمثيل بشكل زائد على العدة الكهربائية أو إذا انقلمت في قطعة الشغل التي تعمل عليها.

استخدم أجهزة تنقيب ملائمة للعثور على خطوط الامداد غير الظاهرة، أو استعن بشركة الامداد المحلية. ملامسة الخطوط الكهربائية قد تؤدي إلى اندلاع النار وإلى الصدمات الكهربائية. حدوث أضرار بخط الغاز قد يؤدي إلى حدوث انفجارات. اختراق خط الماء يتسبب في وقوع أضرار مادية.

أمسك بالعدة الكهربائية بإحكام. قد تتشكل عزم رد فعل عالية لوهلة قصيرة عند إحكام شد وحلّ اللوالب.

قد تنطلق أبخرة عند تلف المرمك واستخدامه بطريقة غير ملائمة. يمكن أن يحترق المرمك أو يتعرض للانفجار. أمن توفر الهواء النقي وراجع الطبيب إن شعرت بشكوى. قد تهيج هذه الأبخرة المجاري التنفسية.

لا تقم بتعديل المرمك أو فتحه. يتشكل خطر حدوث قفلة كهربائية.

يمكن أن يتعرض المرمك لأضرار من خلال الأشياء المعدنية مثل المسامير والمفكات أو من خلال تأثير القوى الخارجية. وقد يؤدي هذا إلى تقصير الدائرة الكهربائية الداخلية واختراق المرمك أو خروج الأبخرة منه أو انفجاره وتعرضه لسخونة مفرطة.

اقتصر على استخدام المرمك في منتجات الجهة الصانعة. يتم حماية المرمك من فرط التحميل الخطير بهذه الطريقة فقط دون غيرها.

احرص على حماية المرمك من الحرارة، بما ذلك التعرض لأشعة الشمس باستمرار ومن النار والانساخ والماء والرطوبة. حيث ينشأ خطر الانفجار وخطر حدوث دائرة قصر.

احترس! عند استخدام العدة الكهربائية المزودة بتقنية Bluetooth® قد يتسبب هذا في حدوث تشويش على الأجهزة والأنظمة والطائرات والأجهزة الطبية الأخرى (على سبيل المثال منظم ضربات القلب، السماعات الطبية). كما لا يمكن أيضاً استبعاد حدوث أضرار للأشخاص أو الحيوانات المتواجدين في النطاق القريب. لا تستخدم العدة الكهربائية المزودة بتقنية Bluetooth® بالقرب من الأجهزة الطبية ومحطات التزود بالوقود ومصانع الكيماويات والمناطق التي يهددها خطر الانفجار. لا تستخدم العدة الكهربائية المزودة بتقنية Bluetooth® في الطائرات. تجنب التشغيل لمدة طويلة على مسافة قريبة من الجسم.

اسم ماركة Bluetooth® وشعاراتها هي علامات تجارية مسجلة، وهي ملك لشركة Bluetooth

تحذير



تأكد من عدم وصول البطارية القرصية إلى أيدي الأطفال. البطاريات القرصية خطيرة.

لا يجوز مطلقاً بلع البطاريات القرصية أو إدخالها في أي فتحة من فتحات الجسم. إذا ساورك الشك في أنك ابتلعت البطارية القرصية أو دخلت في أي فتحة من فتحات جسمك فتوجه إلى الطبيب على الفور. فابتلاع البطارية القرصية قد يتسبب في حدوث اكتواءات داخلية خطيرة، وقد يؤدي إلى الوفاة في خلال ساعتين.

احرص عند تغيير البطارية الخلفية أن يتم استبدالها بطريقة فنية سليمة. قد ينشأ خطر انفجار.

اقتصر على استخدام البطاريات القرصية المذكورة في دليل التشغيل هذا. لا تستخدم بطاريات قرصية أخرى أو مصدر آخر للإمداد بالتيار.

لا تحاول إعادة شحن البطارية القرصية، ولا تقم بعمل دائرة قصر للبطارية. قد تصعب البطارية القرصية غير محكمة ضد التسريب، وقد تنفجر أو تشتعل مما يعرض الأشخاص للإصابة.

احرص على خلص البطاريات القرصية التي فرغت شحنتها وتخلص منها وفقاً للتشريعات. البطاريات فارغة الشحنة قد تصعب غير محكمة ضد التسريب وبالتالي، فقد تتسبب في وقوع أضرار بالمنتج وفي حدوث إصابات.

احرص على ألا ترتفع درجة حرارة البطارية الخلفية بشكل زائد وألا تلقها في النار. قد تصعب البطارية القرصية غير محكمة ضد التسريب، وقد تنفجر أو تشتعل مما يعرض الأشخاص للإصابة.

احرص على عدم حدوث أضرار بالبطارية القرصية ولا تقم بتفكيكها. قد تصعب البطارية القرصية غير محكمة ضد التسريب، وقد تنفجر أو تشتعل مما يعرض الأشخاص للإصابة.

لا تجعل البطارية القرصية التالفة تلامس الماء. قد ينسب الليثيوم المتسرب من البطارية عند ملامسته الماء في انبعاث الهيدروجين، وبالتالي فقد يحدث حريق أو انفجار أو إصابات للأشخاص.

وصف المنتج والأداء

اقرأ جميع إرشادات الأمان والتعليمات. ارتكاب الأخطاء عند تطبيق إرشادات الأمان والتعليمات، قد يؤدي إلى حدوث صدمات كهربائية أو إلى نشوب الحرائق و/أو الإصابة بجروح خطيرة.



- يرجى الرجوع إلى الصور الموجودة في الجزء الأول من دليل التشغيل.
- الاستعمال المخصص**
- العدة الكهربائية مخصصة لربط وحل اللوالب بالإضافة إلى الثقب في الخشب والمعدن واللدائن. يتم استخدام العدة الكهربائية مع ملحق قائم الزاوية (GFA 18-W)، أو ملحق قائم الزاوية مع ظرف ريش الثقب المعدني (GFA 18-WM)، أو ملحق الكامنة اللامركزية (GFA 18-E)، أو ملحق ظرف ريش الثقب المعدني (GFA 18-B)، أو ملحق ظرف ريش الثقب المعدني (GFA 18-M) أو ملحق مطرقة التنقيب (GFA 18-H). يمكن نقل البيانات والإعدادات الخاصة بالعدة الكهربائية عندما يكون الموديول Bluetooth® Low Energy Module **GCY 42 / GCY 42 NC** مستخدماً وذلك عن طريق تقنية Bluetooth® اللاسلكية، حيث يتم النقل بين العدة الكهربائية والجهاز الجوال.
- الأجزاء المصورة**
- يشير ترقيم الأجزاء المصورة إلى الصورة المعروضة للعدة الكهربائية في صفحة الرسوم.
- (1) حاضن العدة
(2) جلبة إقفال
(3) حلقة ضبط اختيار عزم الدوران مسبقاً
(4) مفتاح اختيار ترس السرعة
(5) غطاء الموديول Bluetooth® Low Energy Module **GCY 42 / GCY 42 NC**
(6) مثبت لقم^(a)
- (7) مشبك حزام^(a)
(8) المرمك^(a)
(9) زر فك إقفال المرمك^(a)
(10) واجهة المستخدم
(11) مفتاح تحويل اتجاه الدوران
(12) مفتاح التشغيل والإطفاء
(13) مقبض (سطح قبض معزول)
(14) ملحق ظرف ريش الثقب المعدني GFA 18-^{(a)M}
(15) ملحق ظرف ريش الثقب GFA 18-B^(a)
(16) الملحق قائم الزاوية GFA 18-W^(a)
(17) ملحق الكامنة اللامركزية GFA 18-E^(a)
(18) الملحق قائم الزاوية مع ظرف ريش الثقب المعدني GFA 18-WM^(a)
(19) ملحق مطرقة التنقيب GFA 18-H^(a)
(20) حلقة التثبيت^(a)
(21) واجهة المستخدم
(22) بيان حالة العدة الكهربائية
(23) مصباح LED لخاصية KickBack Control
(24) زر خاصية KickBack Control
(25) ضوء العمل (مؤشر دايموند)
(26) زر القابض الدقيق
(26) مؤشر دايموند للقابض الدقيق
(a) إن هذه التوابع ليست محتواة ضمن إطار التوريد الاعتيادي.

البيانات الفنية

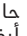
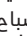
GFA 18-WM	GFA 18-E	GFA 18-W	GFA 18-M	GSR 18V-90 FC	المفك الآلي الثقب العامل بمرمك
-	-	-	-	3601 JK6 2..	رقم الصنف
-	-	-	-	18	الجهد الاسمي فلط =
-	-	-	-	630-0	السرعة بدون حمل ^(A) - السرعة الأولى
-	-	-	-	2100-0	السرعة الثانية
-	-	-	-	36	عزم الدوران الأقصى (لبنة) ^(A) نيو تن متر
-	-	-	-	64	عزم الدوران الأقصى (قاسية) ^(A) نيو تن متر
-	-	-	-	68	أقصى قطر ثقب - خشب
-	-	-	-	13	- فولاذ
-	-	-	-	10	- الخرسانة

GFA 18-WM	GFA 18-E	GFA 18-W	GFA 18-M	GSR 18V-90 FC	المفك الآلي الثقاب العامل بمركم
-	-	-	-	12	مم
13-1,5	6,35	6,35	13-1,5	6,35	مم
	رأس سداسي مجوف ¼ بوصة	رأس سداسي مجوف ¼ بوصة		رأس سداسي مجوف ¼ بوصة	
0,66	0,44	0,44	0,38	2,3-1,3 ^(C)	كجم
				35+ ... 0	°م
				50+ ... 20-	°م
-	-	-	-	GBA 18V... ProCORE18V...	المراكم الموصى بها
-	-	-	-	GAL 18... GAX 18... GAL 36...	أجهزة الشحن الموصى بها

(A) مقاسة عند درجة حرارة 20-25 °م مع مركم GBA 18V 5.0Ah
(B) حسب المركم المُستخدم

(C) القياس مع GBA 18V 1.5Ah و GBA 18V 12.0Ah.

قد تختلف القيم حسب المنتج وظروف الاستخدام والبيئة. المزيد من المعلومات على موقع الإنترنت www.bosch-professional.com/wac.

تشير مصابيح الدايدو الخضراء الخاصة بمبين حالة شحن المركم لحالة شحن المركم. لأسباب تتعلق بالسلامة فإنه لا يمكن الاستعلام عن حالة الشحن إلا والعدة الكهربائية متوقفة.
اضغط على زر مبين حالة الشحن  أو  لعرض حالة الشحن. يمكن هذا أيضا والمركم مخرج.
إذا لم يضيء أي مصباح دايدو بعد الضغط على زر مبين حالة الشحن، فهذا يعني أن المركم تالف ويجب تغييره.

تتم الإشارة إلى حالة شحن المركم في واجهة المستخدم (انظر „مبينات الحالة“، الصفحة 97).

نوع المركم GBA 18V...



السعة	لمبة LED
100-60 %	ضوء مستمر ×3 أخضر
60-30 %	ضوء مستمر ×2 أخضر
30-5 %	ضوء مستمر ×1 أخضر
5-0 %	ضوء وماض ×1 أخضر

نوع المركم ProCORE18V...



السعة	لمبة LED
100-80 %	ضوء مستمر ×5 أخضر
80-60 %	ضوء مستمر ×4 أخضر
60-40 %	ضوء مستمر ×3 أخضر

مركم

تبيع شركة Bosch العدد الكهربائي العاملة بمركم دون مركم أيضا. يمكنك أن تعرف من العبوة ما إذا كان المركم موجود ضمن مجموعة التجهيزات الموردة مع العدة الكهربائية الخاصة بك.

شحن المركم

◀ **اقتصر على استخدام أجهزة الشحن المذكورة في المواصفات الفنية.** أجهزة الشحن هذه دون غيرها هي المتوافقة مع مركم أيونات الليثيوم المستخدم في عدتك الكهربائية.

ملحوظة: يتم تسليم مراكم أيونات الليثيوم مشحونة جزئيًا وفقًا للوائح النقل الدولية. لضمان قدرة أداء المركم الكاملة، يتوجب شحن المركم بشكل كامل قبل الاستعمال لأول مرة.

تركيب المركم

أدخل المركم المشحون في موضع تثبيت المركم إلى أن يثبت بشكل ملموس.

نزع المركم

لخلع المركم اضغط على زر تحرير المركم وأخرج المركم. لا تستخدم القوة أثناء ذلك.

يمتاز المركم بدرجتي إقفال اثنتين، تمنعان سقوط المركم للخارج في حال ضغط زر فك إقفال المركم بشكل غير مقصود. يتم تثبيت المركم بواسطة نابض ما دام مركبًا في العدة الكهربائية.

مبين حالة شحن المركم

ملحوظة: ليست كل أنواع المراكم تحتوي على مبين حالة شحن.

انظر GFA 18-M/GFA 18-B/GFA 18-WM (الصورة D):

افتح ملحق طرف ريش الثقب من خلال الإدارة في الاتجاه ①، إلى أن يصعب تركيب عدة الشغل ممكناً. قم بتركيب عدة الشغل.

أغلق ملحق طرف ريش الثقب بإدارتها في الاتجاه ② يدويا بقوة. يتم تأمين قفل طرف ريش الثقب بذلك أوتوماتيكياً.

أدر الملحق (GFA 18-W) و GFA 18-E و GFA 18- (انظر الصورة E) WM

اسحب الملحق إلى الأمام. أدر الملحق إلى الوضع المرغوب ثم اتركه، كي يثبت. يثبت الملحق في 16 وضع موزعة على زاوية 360 درجة.

فك الملحق (انظر الصورة F)

قم بفك عدة الشغل.

قم بتحريك قفل الملحق في الاتجاه ③ واخضعه من الماضي (1).

شفط الغبار/النشارة

إن أغبرة بعض المواد كالطلاء الذي يحتوي على الرصاص، وبعض أنواع الخشب والفولاذ والمعادن، قد تكون مضرّة بالصحة. إن ملامسة أو استنشاق الأغبرة قد يؤدي إلى ردود فعل زائدة الحساسية و/أو إلى أمراض المجاري التنفسية لدى المستخدم أو لدى الأشخاص المتواجدين على مقربة من المكان.

تعتبر بعض الأغبرة المعينة، كأغبرة البلوط والزان من مسببات السرطان، وبالأخص عند اتصالها بالمواد الإضافية الخاصة بمعالجة الخشب (ملع حامض الكروميك، المواد الحافظة للخشب). يجوز أن يتم معالجة المواد التي تحتوي على الأسبستوس من قبل العمال المتخصصين فقط دون غيرهم.

- حافظ على تهوية مكان الشغل بشكل جيد.
- ينصح بارتداء قناع وقاية للتنفس من فئة المرشح P2.

تراعى الأحكام السارية في بلدكم بالنسبة للمواد المرغوب معالجتها.

◀ تجنب تراكم الغبار بمكان العمل. يجوز أن تشتعل الأغبرة بسهولة.

التشغيل

بدء التشغيل

ضبط اتجاه الدوران (انظر الصورة H)

◀ لا تضغط على مفتاح تحويل اتجاه الدوران (11) إلا والعدة الكهربائية متوقفة.

يمكنك أن تغير اتجاه دوران العدة الكهربائية (11) بواسطة مفتاح تغيير اتجاه الدوران. إلا أنه لا يمكن تغييره عندما يكون مفتاح التشغيل والإطفاء (12) مضغوطاً.

دوران يميني: للثقب ولربط اللوالب، اضغط على مفتاح تحويل اتجاه الدوران (11) إلى اليسار حتى النهاية.

دوران إلى اليسار: لحل أو فك اللوالب والصواميل اضغط مفتاح تغيير اتجاه الدوران (11) إلى اليمين حتى المصد.

السعة

لمبة LED

ضوء مستمر 2× أخضر 20-40 %

ضوء مستمر 1× أخضر 5-20 %

ضوء وماض 1× أخضر 0-5 %

ملاحظات للتعامل مع المرمك بطريقة مثالية

قم بحماية المرمك من الرطوبة والماء. لا تقم بتخزين المرمك إلا في نطاق درجة حرارة يقع بين 20-°م وحتى 50°م. لا تترك المرمك في السيارة في فصل الصيف مثلاً.

نظف فتحات التهوية بالمرمك من فترة لأخرى، بواسطة فرشاة طرية ونظيفة وجافة.

إذا انخفضت فترة التشغيل بعد الشمن بدرجة كبيرة فهذا يعني أن المرمك قد استهلك وأنه يجب استبداله.

تراعى الإرشادات عند التخلص من العدد.

التركيب

◀ أخرج المرمك من العدة الكهربائية قبل إجراء أي أعمال على العدة الكهربائية (على سبيل المثال الصيانة، واستبدال العدد، وما شابه). هناك خطر إصابة بجروح في حالة الضغط على مفتاح التشغيل والإطفاء بشكل غير مقصود.

استخدام المودول Bluetooth® Low Energy Module GCY 42 / GCY 42 NC

للمعلومات حول المودول Bluetooth® Low Energy Module GCY 42 / GCY 42 NC اقرأ دليل الاستعمال المعني.

استبدال العدد

تركيب عدة الشغل (انظر الصورة A)

ادفع لبيسة الإقفال (2) إلى الخلف ولقم عدة الشغل في الماضي أثناء إدارتها (1). اترك لبيسة الإقفال (2) مجدداً، من أجل تثبيت عدة الشغل

فك عدة الشغل

ادفع لبيسة الإقفال (2) إلى الخلف، وانزع عدة الشغل لإخراجه من الماضي (1).

تركيب الملحق (انظر الصورة B)

قم بفك عدة الشغل.

أدخل الملحق في الماضي (1). أدر حلقة التثبيت (20)، إلى أن تثبت بشكل مسموع.

تركيب عدة الشغل في الملحق

GFA 18-E/GFA 18-W (انظر الصورة C):

ادفع لبيسة الإقفال (2) إلى الخلف ولقم عدة الشغل في الماضي أثناء إدارتها (1). اترك لبيسة الإقفال (2) مجدداً، من أجل تثبيت عدة الشغل

ضبط عدد الدوران

يمكنك أن تتحكم بعدد دوران العدة الكهربائية قيد التشغيل دون تدريج، حسب مدى الضغط على مفتاح التشغيل والإطفاء (12).

يؤدي الضغط الخفيف على مفتاح التشغيل والإطفاء (12) إلى عدد لفات منخفض. يزداد عدد اللفات بزيادة الضغط.

وسيلة الحماية من التحميل الزائد المرتبطة بدرجة الحرارة

في حالة الاستعمال المطابق للتعليمات لا يمكن أن تتعرض العدة الكهربائية للتحميل الزائد. في حالة التحميل الزائد أو الخروج من نطاق درجة حرارة التشغيل المسموح به يتم خفض عدد اللفات أو يتم فصل العدة الكهربائية. لا تعمل العدة الكهربائية بسرعة الدوران الكاملة إلا بعد الوصول إلى درجة الحرارة المقررة للتشغيل مرة أخرى.

يتم الإشارة إلى عمل واقية فرط التحميل المرتبطة بدرجة الحرارة من خلال إضاءة مصباح LED في العدة الكهربائية باللون الأحمر.

- للوصول إلى نطاق درجة حرارة التشغيل المسموح به مرة أخرى قم بتشغيل العدة الكهربائية على وضع دوران اللاحمل أو انتظر حتى يومض مصباح LED باللون الأخضر مجدداً.

عندما يضي مصباح LED باللون الأخضر، فهذا يعني أن الجهاز وصل إلى نطاق درجة الحرارة المسموح به مرة أخرى.

واجهة المستخدم (انظر الصورة أ)

تتلخص وظيفة واجهة المستخدم (10) في تفعيل القابض الدقيق "Precision Clutch" وإيقاف تفعيله وكذلك خاصية الإطفاء السريع "KickBack Control" بالإضافة إلى مابين حالة العدة الكهربائية.

القابض الدقيق (Precision Clutch)

يعمل القابض الدقيق على إيقاف التعشيق عند الوصول إلى عزم الدوران المضبوط وبالتالي يقلل من تآكل القابض والوضوء الناتجة عن ذلك.



يمكن إيقاف تفعيل القابض الدقيق من واجهة المستخدم (10) باستخدام زر القابض الدقيق (25). تتم الإشارة إلى الحالة المالية عن طريق مؤشر الدابود الخاص بالقابض الدقيق (26) في واجهة المستخدم (10).

خاصية الإطفاء السريع (وظيفة KickBack Control)

تتيح خاصية الإطفاء السريع (KickBack Control) تحكماً أفضل في العدة الكهربائية وتزيد من درجة حماية المستخدم مقارنة بالعدد الكهربائية غير المزودة بخاصية KickBack Control.



Control. في حالة الدوران المفاجئ وغير المتوقع للعدة الكهربائية حول محور الثقب تنطفئ العدة الكهربائية.

تتم الإشارة إلى خاصية الإطفاء السريع من خلال الوميض الأحمر لمصباح LED (21)، ووميض ضوء العمل (24) وإضاءة حمراء لمصباح LED لخاصية KickBack Control (22) بالعدة الكهربائية.

ضبط عزم الدوران مسبقاً

تسمح لك حلقة ضبط اختيار عزم الدوران مسبقاً (3) بضبط عزم الدوران المطلوب على 20 درجة بشكل مسبق. عند الضبط الصحيح يتم إيقاف عدة الشغل بمجرد استواء اللولب بعد ربطه مع سطح الخامة أو الوصول إلى عزم لدوران المضبوط. في الوضع 4 تكون القارئة الكلابية مطفاة، من أجل إجراء أعمال التنقيب مثلاً.

اختر ضبط أعلى عند فك اللوالب أو اضبط على رمز 4

في الوضع 4 يتم الوصول إلى أقصى عزم دوران للثقب وربط اللوالب.

اختيار ترس السرعة ميكانيكياً

اضبط مفتاح اختيار ترس السرعة (4) فقط عندما تكون العدة الكهربائية متوقفة عن الحركة.

ادفع مفتاح اختيار ترس السرعة دائماً إلى حد التصادم. وإلا، فقد تتعرض العدة الكهربائية للضرر.

يمكنك بواسطة مفتاح اختيار ترس السرعة (4) أن تختار مجالين اثنين لسرعة الدوران مسبقاً.

وضع مفتاح اختيار ترس السرعة (4)	عدد اللفات	عزم الدوران	نطاق الاستعمال
1	منخفضة	مرتفعة	للتطبيقات الشاقة:
			على سبيل المثال، الثقب والربط بقطر كبير
2	مرتفعة	منخفضة	للتطبيقات السهلة:
			على سبيل المثال، الثقب والربط بقطر صغير

ضبط نوع التشغيل

الثقب

اضبط طارة ضبط الاختيار المسبق لعزم الدوران (3) على رمز «الثقب»، للوصول إلى عزم الدوران الأقصى للثقب وربط اللوالب.



ربط اللوالب

اضبط طارة ضبط الاختيار المسبق لعزم الدوران (3) على درجة عزم الدوران المرغوبة.



التشغيل والإطفاء

لغرض تشغيل العدة الكهربائية اضغط على مفتاح التشغيل والإطفاء (12) وحافظ على إبقائه مضغوطاً. يضي مصباح العمل (24) عند الضغط على مفتاح التشغيل والإطفاء (12) بشكل جزئي أو كامل ويسمع بإضاءة مكان الشغل إن كانت ظروف الإضاءة غير ملائمة.

(23) Control. في حالة عدم استخدام العدة الكهربائية لمدة تزيد عن 5 دقائق أو إخراج المرمك منها يتم تشغيل خاصية الإطفاء السريع أوتوماتيكياً مرة أخرى. تتم الإشارة إلى الحالة المالية عن طريق مصباح LED لخاصية (22) KickBack Control في واجهة المستخدم (10).

◀ **إرشاد: يُراعى أن ضوء التحذير لمصباح LED غير مرئي من بعض الاتجاهات! في حالة ضوء الشمس القوي يصعب التعرف على ضوء التحذير.**

لغرض إعادة تشغيل اترك مفتاح التشغيل والإطفاء واضغط عليه مجدداً.

◀ **في حالة تعطل خاصية KickBack Control لا يمكن تشغيل العدة الكهربائية. احرص على تصليح عدتك الكهربائية فقط من قبل العمال المتخصصين وباستعمال قطع الغيار الأصلية فقط.**

يمكن إيقاف تفعيل خاصية الإطفاء السريع من واجهة المستخدم (10) باستخدام الزر KickBack

مبيئات الحالة

الحل	المعنى/السبب	مبين حالة العدة الكهربائية
-	الحالة على ما يرام	أخضر
دع العدة الكهربائية تعمل على وضع دوران اللاحمل، وانتركها حتى تبرد وقم بتبديل المرمك أو شحنه قريباً أو اضغط على زر KickBack Control	إذا تم الوصول إلى مستوى حرج لدرجة الحرارة أو تم إطفاء خاصية KickBack Control	أصفر
اترك العدة الكهربائية تبرد أو قم بتغيير المرمك أو شحنه	العدة الكهربائية ساخنة للغاية أو المرمك فارغ الشحنه	يضيء باللون الأحمر
قم بإطفاء العدة الكهربائية وأعد تشغيلها	انطلقت خاصية الإطفاء السريع	يومض باللون الأحمر
-	العدة الكهربائية متصلة بجهاز جوال أو يتم نقل الإعدادات	وميض باللون الأزرق

الصيانة والخدمة

الصيانة والتنظيف

◀ **أخرج المرمك من العدة الكهربائية قبل إجراء أي أعمال على العدة الكهربائية (على سبيل المثال الصيانة، واستبدال العدد، وما شابه).** هناك خطر إصابة بجروح في حالة الضغط على مفتاح التشغيل والإطفاء بشكل غير مقصود.

◀ **حافظ على نظافة العدة الكهربائية وشقوق التهوية لكي تعمل بشكل جيد وأمن.**

خدمة العملاء واستشارات الاستخدام

يجيب مركز خدمة الزبائن على أسئلتكم بصدد تصليح وصيانة المنتج وأيضاً بما يخص قطع الغيار. ستجد الرسوم الممددة والمعلومات عن قطع الغيار بموقع: www.bosch-pt.com

يسر فريق استشارات الاستخدام لدى شركة بوش أن يقدم لك العون إذا كان لديك أية استفسارات بخصوص منتجاتنا وملحقاتها التكميلية.

يلزم ذكر رقم الصنف ذو الخانات العشر وفقاً للوحة صنع المنتج عند إرسال أية استفسارات أو طلبيات قطع غيار.

المغرب

Robert Bosch Morocco SARL
53، شارع الملازم محمد محروود
20300 الدار البيضاء
الهاتف: +212 5 29 31 43 27
البريد الإلكتروني: sav.outillage@ma.bosch.com

تجد عناوين أخرى للخدمات تحت:
www.bosch-pt.com/serviceaddresses

وظائف الربط

بالارتباط مع الموديول Bluetooth® Low Energy Module **GCY 42 / GCY 42 NC** تتوافر وظائف الربط التالية للعدة الكهربائية:

- التسجيل والمواءمة مع المتطلبات الشخصية
- اختبار الحالة، إصدار بلاغات التحذير
- معلومات عامة
- الإدارة
- تشغيل ضوء العمل وإطفاءه
- ضبط شدة إضاءة ضوء العمل وفترة استمرار الإضاءة
- ضبط شدة إضاءة الواجهة البينية وفترة استمرار الإضاءة

للمعلومات حول الموديول

Bluetooth® Low Energy Module

GCY 42 / GCY 42 NC

اقرأ دليل الاستعمال المعني.

إرشادات العمل

◀ **العدة الكهربائية مزودة بموديول Bluetooth® Low Energy Module GCY 42 / GCY 42 NC (توايح) به واجهة بنية لاسلكية. تراعى قيود التشغيل المحلية، على سبيل المثال في الطائرات أو المستشفيات.**

◀ **ضع العدة الكهربائية على اللولب فقط عندما تكون مطفأة. فقد تنزلق عدد الشغل الدوارة.**

مشبك حزام

يمكنك أن تشبك العدة الكهربائية بواسطة مشبك الحزام (7) على الحزام مثلاً. وبذلك ستكون يدك فارغتان والعدة الكهربائية تحت تصرفك دائماً.

النقل

تخضع مراكم أيونات الليثيوم المنصوح بها لأحكام قانون المواد الخطرة. يمكن للمستخدم أن ينقلها على الشوارع العامة دون أي شروط إضافية. عند النقل بواسطة أطراف ثالثة (مثلاً: الشحن الجوي أو شركة شحن)، يتوجب التقيد بشروط خاصة بصدد التغليف والتعليم. ينبغي استشارة خبير بنقل المواد الخطيرة عند تحضير الطرد في هذه الحالة. استخدم المراكم فقط إن كان هيكلها سليم. الصق الملامسات المكشوفة وغلف المركم بحيث لا يتحرك في الطرد. يرجى مراعاة الأحكام الوطنية الإضافية إن وجدت.

التخلص من العدة الكهربائية

يجب التخلص من العدة الكهربائية والمركم والتوابع والتغليف بطريقة صديقة للبيئة عن طريق النفايات القابلة لإعادة التصنيع.

لا تلق العدة الكهربائية والمراكم/البطاريات ضمن النفايات المنزلية!



المراكم/البطاريات:

مراكم أيونات الليثيوم:

يرجى مراعاة الإرشادات الواردة في جزء النقل (انظر „النقل“، الصفحة 98).

فارسی

دستورات ایمنی

نکات ایمنی عمومی برای ابزارهای برقی

⚠ هشدار

کلیه هشدارها،

دستورالعملها، تصاویر و

مشخصات ارائه شده به همراه ابزار برقی را

مطالعه کنید. اشتباهات ناشی از عدم رعایت این

دستورات ایمنی ممکن است باعث برق گرفتگی،

سوختگی و یا سایر جراحات های شدید شود.

کلیه هشدارهای ایمنی و راهنماییها را برای

آینده خوب نگهداری کنید.

عبارت «ابزار برقی» در هشدارها به ابزارهایی که به

پریز برق متصل میشوند (با سیم برق) و یا ابزارهای

برقی باتری دار (بدون سیم برق) اشاره دارد.

ایمنی محل کار

◀ محیط کار را تمیز و روشن نگه دارید.

محیطهای در هم ریخته یا تاریک احتمال بروز حادثه

را افزایش میدهند.

◀ ابزار برقی را در محیطهایی که خطر انفجار

وجود دارد و حاوی مایعات، گازها و بخارهای

مخترقه هستند، به کار نگیرید. ابزارهای برقی

چرقههایی ایجاد میکنند که میتوانند باعث آتش

گرفتن گرد و غبارهای موجود در هوا شوند.

◀ هنگام کار با ابزار برقی، کودکان و سایر

افراد را از دستگاه دور نگه دارید. در

صورتیکه حواس شما پرت شود، ممکن است

کنترل دستگاه از دست شما خارج شود.

ایمنی الکتریکی

◀ دوشاخه ابزار برقی باید با پریز برق تناسب

داشته باشد. هیچگونه تغییری در دوشاخه

ایجاد نکنید. مبدل دوشاخه نباید همراه با

ابزار برقی دارای اتصال زمین استفاده شود.

دوشاخههای اصل و تغییر داده نشده و پریزهای

مناسب، خطر برق گرفتگی را کاهش میدهند.

◀ از تماس بدنی با قطعات متصل به سیم

اتصال زمین مانند لوله، شوفاژ، اجاق برقی و

یخچال خودداری کنید. در صورت تماس بدنی با

سطوح و قطعات دارای اتصال به زمین و همچنین

تماس شما با زمین، خطر برق گرفتگی افزایش

می یابد.

◀ ابزارهای برقی را در معرض باران و رطوبت

قرار ندهید. نفوذ آب به ابزار برقی، خطر شوک

الکتریکی را افزایش میدهد.

◀ از سیم دستگاه برای مقاصد دیگر استفاده

نکنید. هرگز برای حمل ابزار برقی، کشیدن آن

یا خارج کردن دوشاخه از سیم دستگاه

استفاده نکنید. کابل دستگاه را از حرارت،

روغن، لیبهای تیز یا قطعات متحرک دور نگه

دارید. کابلهای آسیب دیده و یا گره خورده خطر

شوک الکتریکی را افزایش میدهند.

◀ هنگام استفاده از ابزار برقی در محیطهای

باز، تنها از کابل رابطی استفاده کنید که برای

محیط باز نیز مناسب باشد. کابل های رابط

مناسب برای محیط باز، خطر برق گرفتگی را کم می کنند.

◀ در صورت لزوم کار با ابزار برقی در محیط و

اماکن مرطوب، باید از یک کلید حفاظتی

جریان خطا و نشستی زمین (کلید قطع کننده

اتصال با زمین) استفاده کنید. استفاده از

کلید حفاظتی جریان خطا و نشستی زمین خطر برق

گرفتگی را کاهش می دهد.

رعایت ایمنی اشخاص

◀ حواس خود را خوب جمع کنید، به کار خود

دقت کنید و با فکر و هوشیاری کامل با ابزار

برقی کار کنید. در صورت خستگی و یا در

صورتی که مواد مخدر، الکل و دارو استفاده

کردهاید، با ابزار برقی کار نکنید. یک لحظه بی

توجهی هنگام کار با ابزار برقی، میتواند جرات

های شدیدی به همراه داشته باشد.

◀ از تجهیزات ایمنی شخصی استفاده کنید.

همواره از عینک ایمنی استفاده نمایید.

استفاده از تجهیزات ایمنی مانند ماسک ضد گرد و

غبار، کفشهای ایمنی ضد لغزش، کلاه ایمنی و

گوشی محافظ متناسب با نوع کار با ابزار برقی،

خطر مجروح شدن را کاهش میدهد.

◀ مواظب باشید که ابزار برقی بطور ناخواسته

بکار نیفتد. قبل از وارد کردن دوشاخه

دستگاه در پریز برق، اتصال آن به باتری،

برداشتن آن و یا حمل دستگاه، باید دقت

کنید که ابزار برقی خاموش باشد. در صورتی

که هنگام حمل دستگاه انگشت شما روی دکمه

قطع و وصل باشد و یا دستگاه را در حالت روشن

به برق بزنید، ممکن است سوانح کاری پیش آید.

◀ قبل از روشن کردن ابزار برقی، همه ابزارهای

تنظیم کننده و آچارها را از روی دستگاه

بردارید. ابزار و آچارهایی که روی بخش های

چرخنده دستگاه قرار دارند، میتوانند باعث ایجاد

جرات شوند.

◀ وضعیت بدن شما باید در حالت عادی قرار

داشته باشد. برای کار جای مطمئنی برای

خود انتخاب کرده و تعادل خود را همواره

حفظ کنید. به این ترتیب میتوانید ابزار برقی را در

وضعتهای غیر منظره بهتر تحت کنترل داشته

باشید.

◀ لباس مناسب بپوشید. از پوشیدن لباسهای

گشاد و حمل زینت آلات خودداری کنید.

موها و لباس خود را از بخشهای در حال

چرخش دستگاه دور نگه دارید. لباسهای

گشاد، موی بلند و زینت آلات ممکن است در

قسمتهای در حال چرخش دستگاه گیر کنند.

◀ در صورتی که تجهیزاتی برای اتصال وسائل

مکش گرد و غبار و یا وسیله جمع کننده گرد

و غبار ارائه شده است، باید مطمئن شوید

که این وسائل درست نصب و استفاده

می شوند. استفاده از وسائل مکش گرد و غبار

مصونیت شما را در برابر گرد و غبار زیادتیر میکند.

◀ آشنایی با ابزار به دلیل کار کردن زیاد با آن

نباید باعث سهل انگاری شما و نادیده گرفتن

اصول ایمنی شود. بی دقتی ممکن است باعث

بروز جراحاتی در عرض کسری از ثانیه شود.

- شوند. ایجاد اتصالی بین دو قطب باتری (ترمینالهای باتری) میتواند باعث سوختگی و ایجاد حریق شود.
- استفاده بی رویه از باتری میتواند باعث خروج مایعات از آن شود؛ از هر گونه تماس با این مایعات خودداری کنید. در صورت تماس اتفاقی با آن، دست خود و یا محل تماس را با آب بشوئید. در صورت آلوده شدن چشم با این مایع، باید به پزشک مراجعه کنید. مایع خارج شده از باتری میتواند باعث التهاب پوست و سوختگی شود.
- هرگز از باتری یا ابزار آسیب دیده یا دست کاری شده استفاده نکنید. باتریهای آسیب دیده ممکن است کارکرد غیر منتظرهای داشته باشند و منجر به آتش سوزی، انفجار یا جراحت شوند.
- باتری یا ابزار را در معرض آتش یا دمای زیاد قرار ندهید. قرار گرفتن در معرض آتش یا دمای بالاتر از 130 درجه سانتیگراد میتواند باعث انفجار شود.
- همه راهنمایهای مربوط به شارژ را رعایت کنید و باتری یا ابزار را خارج از محدوده دمای تعریف شده در دستورات شارژ نکنید. شارژ کردن نادرست یا در دمای خارج از محدوده تعریف شده ممکن است به باتری صدمه بزند و خطر آتش سوزی را افزایش دهد.
- سرویس**
- برای تعمیر ابزار برقی فقط به متخصصین حرفهای رجوع کنید و از قطعات یدکی اصل استفاده نمایید. این باعث خواهد شد که ایمنی دستگاه شما تضمین گردد.
- هرگز باتریهای آسیب دیده را تعمیر نکنید. باتری باید تنها توسط متخصصین مجاز شرکت تعمیر شوند.
- راهنمایهای ایمنی برای پیچگوشتها**
- دستورالعملهای ایمنی برای انواع عملیات
- چنانچه هنگام انجام کار، امکان تماس متعلقات برش یا بستها با سیمهای برق غیر قابل رؤیت وجود داشته باشد، باید ابزار برقی را از محل دستگیره و سطوح عایق آن بگیریید. تماس متعلقات برش یا بستها با سیم حامل جریان برق، میتواند جریان برق را به بخشهای فلزی دستگاه نیز انتقال دهد و باعث برق گرفتگی شود.
- دستورالعملهای ایمنی برای هنگام استفاده از متتهای بلند
- هرگز دستگاه را با سرعت بیشتر از حداکثر سرعت مجاز مته به کار نگیرید. در سرعتهای بالاتر، ممکن است مته هنگام چرخش در حالت آزاد و بدون تماس با قطعه کار کج شود و باعث وارد آمدن جراحت گردد.
- دربل کاری را همیشه هنگامی که مته با قطعه کار در تماس است و با سرعت پایین آغاز کنید. در سرعتهای بالاتر، ممکن است مته هنگام چرخش در حالت آزاد و بدون تماس با

- استفاده صحیح از ابزار برقی و مراقبت از آن
- از وارد کردن فشار زیاد روی دستگاه خودداری کنید. برای هر کاری، از ابزار برقی مناسب با آن استفاده کنید. بکار گرفتن ابزار برقی مناسب باعث میشود که بتوانید از توان دستگاه بهتر و با اطمینان بیشتر استفاده کنید.
- در صورت ایراد در کلید قطع و وصل ابزار برقی، از دستگاه استفاده نکنید. ابزار برقی که نمی توان آنها را قطع و وصل کرد، خطرناک بوده و باید تعمیر شوند.
- قبل از تنظیم ابزار برقی، تعویض متعلقات و یا کنار گذاشتن آن، دوشاخه را از برق بکشید و یا باتری آنرا خارج کنید. رعایت این اقدامات پیشگیری ایمنی از راه افتادن ناخواسته ابزار برقی جلوگیری می کند.
- ابزار برقی را در صورت عدم استفاده، از دسترس کودکان دور نگه دارید و اجازه ندهید که افراد ناوارد و یا اشخاصی که این دفترچه راهنما را نخواندهاند، با این دستگاه کار کنند. قرار گرفتن ابزار برقی در دست افراد ناوارد و بی تجربه خطرناک است.
- از ابزار برقی و متعلقات خوب مراقبت کنید. مواظب باشید که قسمت های متحرک دستگاه خوب کار کرده و گیر نکنند. همچنین دقت کنید که قطعات ابزار برقی شکسته و یا آسیب دیده نباشند. قطعات آسیب دیده را قبل از شروع به کار تعمیر کنید. علت بسیاری از سوانح کاری، عدم مراقبت کامل از ابزارهای برقی می باشد.
- ابزار برش را تیز و تمیز نگه دارید. ابزار برشی که خوب مراقبت شده و از لبه های تیز برخوردار است، کمتر در قطعه کار گیر کرده و بهتر قابل هدایت است.
- ابزار برقی، متعلقات، متتهای دستگاه و غیره را مطابق دستورات این جزوه راهنما به کار گیرید و به شرایط کاری و نوع کار نیز توجه داشته باشید. استفاده از ابزار برقی برای عملیاتی به جز مقاصد در نظر گرفته شده، میتواند به بروز شرایط خطرناک منجر شود.
- دستتها و سطوح عایق را همواره خشک، تمیز و عاری از روغن و گریس نگه دارید. دسته های لغزنده مانع ایمنی و کنترل در کار در شرایط غیر منتظره هستند.
- مراقبت و طرز استفاده از ابزارهای شارژی**
- باتریها را منحصراً توسط شارژرهایی که توسط سازنده توصیه شدهاند، شارژ کنید. در صورتی که برای شارژ باتری، آنرا در شارژری قرار دهید که برای آن باتری ساخته نشده است، خطر آتش سوزی وجود دارد.
- در ابزارهای برقی فقط از باتریهایی استفاده کنید که برای آن نوع ابزار برقی در نظر گرفته شدهاند. استفاده از باتریهای مترقیه میتواند منجر به بروز جراحت و حریق گردد.
- در صورت عدم استفاده از باتری باید آنرا از گیره های فلزی، سکه، کلید، میخ، پیچ و دیگر وسائل کوچک فلزی دور نگه دارید، زیرا این وسائل ممکن است باعث ایجاد اتصالی

باتری را در برابر حرارت، از جمله در برابر تابش مداوم خورشید و همچنین در برابر آتش، آلودگی، آب و رطوبت محفوظ بدارید. خطر اتصالی و انفجار وجود دارد.



⚠ **احتیاط! هنگام استفاده از ابزار اندازه گیری با Bluetooth® ممکن است دستگاهها، سیستمها، هواپیماها و ابزارهای پزشکی (باتری قلب، سمعک) دچار اختلال شوند.** همچنین ممکن است افراد یا حیوانات کاملاً نزدیک به ابزار آسیب ببینند. ابزار برقی با Bluetooth® را در نزدیکی دستگاههای پزشکی، پمپ بنزین، سیستمهای شیمیایی و مناطق دارای خطر انفجار بکار نبرید. از ابزار برقی به همراه Bluetooth® در هواپیما استفاده نکنید. از کاربرد دستگاه به مدت طولانی در نزدیکی مستقیم بدن خودداری کنید.

علامت نامی Bluetooth® همانند علامت های تصویری (لوگوها)، نشانهای ثبت شده و متعلق به Bluetooth SIG, Inc می باشند. هر گونه استفاده از این علائم نامی/نشانها، توسط شرکت Robert Bosch Power Tools GmbH تحت لیسانس انجام میشوند.

هشدار



مطمئن شوید که باتری دکمه ای در دسترس کودکان قرار نگیرد. باتری های دکمه ای خطرناک هستند.



⚠ **باتری های دکمه ای را هرگز نباید بلعید یا در جاهای دیگر بدن وارد کرد.** چنانچه متوجه شدید که باتری دکمه ای بلعیده شده یا به نحوی وارد جای دیگر بدن شده است، فوراً به پزشک مراجعه کنید. بلعیدن باتری دکمه ای ممکن است در طول 2 ساعت منجر به سوختگی داخلی و مرگ گردد.

⚠ **هنگام تعویض باتری دکمه ای به رعایت مقررات مربوط به تعویض باتری ها توجه کنید.** خطر انفجار وجود دارد.

⚠ **تنها از باتری های ساعتی ذکر شده در دفترچه راهنما استفاده کنید.** از باتری های ساعتی دیگر یا از منبع تأمین انرژی دیگری استفاده نکنید.

⚠ **سعی نکنید باتری های ساعتی را شارژ کنید و باعث اتصالی آنها نشوید.** باتری های ساعتی ممکن است نشت کنند، منفجر شوند، آتش بگیرند و افراد را زخمی کنند.

⚠ **باتری های ساعتی خالی را مطابق مقررات جدا و دفع کنید.** باتری های ساعتی خالی ممکن است نشت کنند و اینگونه به محصول آسیب برسانند یا افراد را زخمی کنند.

⚠ **باتری ساعتی را داغ نکنید و در آتش نیاندازید.** باتری های ساعتی ممکن است نشت کنند، منفجر شوند، آتش بگیرند و افراد را زخمی کنند.

قطعه کار کج شود و باعث وارد آمدن جراحت گردد.

⚠ **فشار را فقط هم راستا با مته وارد کنید و از وارد کردن فشار زیاد خودداری نمایید.** ممکن است مته کج شود و باعث ایجاد شکستگی یا از دست رفتن کنترل و در نتیجه وارد آمدن جراحت گردد.

سایر راهنماییهای ایمنی

⚠ **قطعه کار را محکم کنید.** در صورتیکه قطعه کار به وسیله تجهیزات نگهدارنده و یا بوسیله گیره محکم شده باشد، قطعه کار مطمئن تر نگه داشته میشود، تا اینکه بوسیله دست نگهداشته شود.

⚠ **قبل از کنار گذاشتن ابزار برقی صبر کنید تا دستگاه بطور کامل از کار و حرکت بایستد.** ابزار ممکن است به قطعه کار گیر کرده و کنترل ابزار برقی از دست شما خارج شود.

⚠ **در صورت بلوکه شدن ابزار برقی، آن را خاموش کنید.** نسبت به عکسالعملهای شدیدی که منجر به ضربه برگشتی می شوند، آمادگی داشته باشید. چنانچه فشار زیادی به ابزار برقی وارد شود یا در قطعهکار گیر کند، ابزار برقی بلوکه می شود.

⚠ **برای پیدا کردن لوله ها و سیم های پنهان موجود در ساختمان و محدوده کار، از یک دستگاه ردیاب مخصوص برای یافتن لوله ها و سیمهای تأسیسات استفاده کنید و یا با شرکت های کارهای تأسیسات ساختمان و خدمات مربوطه تماس بگیرید.** تماس با کابل و سیمهای برق ممکن است باعث آتشسوزی و یا برق گرفتگی شود. ایراد و آسیب دیدگی لوله گاز میتواند باعث انفجار شود. سوراخ شدن لوله آب باعث ایجاد خسارت میشود.

⚠ **ابزار برقی را محکم بگیرید.** هنگام سفت و باز کردن پیچها ممکن است گشتاورهای بازگشتی بالایی به طور موقت ایجاد شوند.

⚠ **در صورتیکه باتری آسیب دیده باشد و یا از آن بطور بی رویه استفاده شود، ممکن است از باتری بخارهایی بلند شود.** باتری ممکن است آتش بگیرد یا منفجر شود. در این حالت هوای محیط را تازه کنید؛ اگر احساس ناراحتی کردید، به پزشک مراجعه نمایید. استنشاق این بخارها ممکن است به مجاری تنفسی شما آسیب برساند.

⚠ **باتری قابل شارژ را تغییر و باز نکنید.** خطر اتصال کوتاه وجود دارد.

⚠ **بوسیله ی اشیاء تیز مانند میخ یا پیچکوشتی یا تأثیر نیروی خارجی ممکن است باتری آسیب ببیند.** ممکن است اتصالی داخلی رخ دهد و باتری آتش گیرد، دود کند، منفجر شود یا بیش از حد داغ گردد.

⚠ **از باتری قابل شارژ فقط در محصولات سازنده استفاده کنید.** فقط در این صورت از باتری در برابر بار اضافی خطرناک محافظت می شود.

- (1) ابزارگیر
 - (2) بوش قفل کننده
 - (3) حلقه تنظیم انتخاب گشتاور
 - (4) کلید انتخاب سرعت
 - (5) قاب مازول Bluetooth® Low Energy **GCY 42 / GCY 42 NC**
 - (6) نگهدارنده مته^a
 - (7) گیره نگهدارنده بند رکابی^a
 - (8) باتری قابل شارژ^a
 - (9) دکمه آزادسازی باتری قابل شارژ^a
 - (10) User Interface (رابط کاربری)
 - (11) کلید تغییر جهت چرخش
 - (12) کلید روشن/خاموش
 - (13) دسته (دارای روکش عایق)
 - (14) پایه ابزارگیر سه نظام فلزی GFA 18-M^a
 - (15) پایه ابزارگیر سه نظام GFA 18-B^a
 - (16) پایه ابزارگیر زاویه راست GFA 18-W^a
 - (17) پایه ابزارگیر خارج از مرکز GFA 18-E^a
 - (18) پایه ابزارگیر زاویه راست با سه نظام فلزی GFA 18-WM^a
 - (19) پایه ابزارگیر دریل چکشی GFA 18-H^a
 - (20) رینگ تنظیم^a
 - (21) نشانگر وضعیت ابزار برقی
 - (22) KickBack Control LED برای LED
 - (23) دکمه KickBack Control
 - (24) چراغ کار (LED)
 - (25) دکمه کلاج دقیق
 - (26) دکمه LED برای کلاج دقیق
- a این قسمت از متعلقات، بطور معمول همراه دستگاه ارائه نمی شود.

User Interface (رابط کاربری)

- ◀ **باتری های ساعتی را خراب و یا از هم باز نکنید.** باتری های ساعتی ممکن است نشت کنند، منفجر شوند، آتش بگیرند و افراد را زخمی کنند.
- ◀ **باتری های ساعتی آسیب دیده را با آب تماس ندهید.** لیتیوم خارج شده ممکن در آب هیدروژن تولید کند و اینگونه منجر به بروز آتشسوزی، انفجار یا زخمی شدن افراد گردد.

توضیحات محصول و کارکرد

همه دستورات ایمنی و راهنماییها را بخوانید.

این دستورات ایمنی ممکن است باعث برقگرفتگی، سوختگی و یا سایر جراحت های شدید شود.



به تصویرهای واقع در بخشهای اول دفترچه راهنما توجه کنید.

موارد استفاده از دستگاه

ابزار برقی جهت پچاندن و باز کردن پیچها و نیز سوراخکاری در چوب، فلز و پلاستیک تعبیه شده است.

ابزار برقی را می توان با پایه ابزارگیر زاویه راست (GFA 18-W)، پایه ابزارگیر زاویه راست با سه نظام فلزی (GFA 18-WM)، پایه ابزارگیر خارج از مرکز (GFA 18-E)، پایه ابزارگیر سه نظام (GFA 18-B)، پایه ابزارگیر فلزی (GFA 18-M) یا پایه ابزارگیر دریل چکشی (GFA 18-H) استفاده کرد.

دادهها و تنظیمات ابزار برقی میتوانند در صورت نصب **Bluetooth® GCY 42 / Low Energy Module GCY 42 NC** بوسیله فناوری امواج **Bluetooth®** بین ابزار برقی و یک دستگاه نهایی همراه منتقل شوند.

اجزاء دستگاه

شماره گذاری تصاویر اجزاء دستگاه بر اساس شکل ابزار برقی در صفحه تصاویر است.

مشخصات فنی

GFA 18-WM	GFA 18-E	GFA 18-W	GFA 18-M	GSR 18V-90 FC	پیچ گوشتی شارژی
-	-	-	-	3 601 JK6 2..	شماره فنی
-	-	-	-	18	ولتاژ نامی
					سرعت در حالت آزاد ^(A)
-	-	-	-	0-630	سرعت 1
-	-	-	-	0-2100	سرعت 2
-	-	-	-	36	حداکثر گشتاور (نرم) ^(A)
-	-	-	-	64	حداکثر گشتاور (سخت) ^(A)
					حداکثر قطر سوراخ
-	-	-	-	68	چوب
-	-	-	-	13	فولاد
-	-	-	-	10	بتن
-	-	-	-	12	حداکثر قطر پیچ ها
1,5-13	6,35	6,35	1,5-13	6,35	ابزارگیر
	آچار آلن ¼"	آچار آلن ¼"		آچار آلن ¼"	

بیج گوستی شارژی					
GFA 18-WM	GFA 18-E	GFA 18-W	GFA 18-M	GSR 18V-90 FC	وزن ^(B)
0,66	0,44	0,44	0,38	kg	1,3-2,3 ^(C)
				°C	0 ... +35
				°C	-20 ... +50
-	-	-	-	GBA 18V... ProCORE18V...	دمای مجاز محیط هنگام کار و هنگام انبار کردن
-	-	-	-	GAL 18... GAX 18... GAL 36...	باتری های قابل شارژ توصیه شده
					شارژرهای توصیه شده

(A) اندازه گیری شده در دمای °C 20-25 با باتری قابل شارژ **GBA 18V 5.0Ah**.

(B) بسته به نوع باتری کاربردی

(C) اندازه گیری شده با **GBA 18V 1.5Ah** و **GBA 18V 12.0Ah**

مقادیر ممکن است بسته به محصول متفاوت باشند و بستگی به شرایط استفاده و محیطی دارند. اطلاعات بیشتر را در سایت www.bosch-professional.com/wac مشاهده نمایید.

چراغهای سبز LED نشانگر وضعیت شارژ باتری، وضعیت شارژ باتری را نشان میدهند. به دلایل ایمنی، فراخوانی وضعیت شارژ باتری تنها در حالت توقف ابزار برقی ممکن است.

دکمه را جهت پدیدار شدن نشانگر وضعیت شارژ[⊗] یا وضعیت شارژ فشار دهید. این کار هنگامی که باتری برداشته شده باشد نیز ممکن است.

چنانچه پس از فشردن دکمه نشانگر وضعیت شارژ هیچ LED روشن نشود، باتری خراب است و باید تعویض گردد.

وضعیت شارژ باتری روی User Interface (رابط کاربری) نیز نمایش داده می شود (رجوع کنید به „نمایشگرهای وضعیت“، صفحه 106).

نوع باتری GBA 18V...



LED	ظرفیت
3 عدد چراغ سبز ممتد	60-100 %
2 عدد چراغ سبز ممتد	30-60 %
1 عدد چراغ سبز ممتد	5-30 %
1 عدد چراغ سبز چشمک زن	0-5 %

نوع باتری ProCORE18V...



LED	ظرفیت
5 عدد چراغ سبز ممتد	80-100 %
4 عدد چراغ سبز ممتد	60-80 %
3 عدد چراغ سبز ممتد	40-60 %
2 عدد چراغ سبز ممتد	20-40 %
1 عدد چراغ سبز ممتد	5-20 %
1 عدد چراغ سبز چشمک زن	0-5 %

باتری قابل شارژ

Bosch ابزارهای برقی شارژی را هم بدون باتری قابل شارژ می فروشد. در بسته بندی می توانید دریابید که آیا باتری قابل شارژ در محتویات ارسالی ابزار برقی شما وجود دارد یا خیر.

شارژ کردن باتری قابل شارژ

◀ **تنها شارژرهای ذکر شده در مشخصات فنی را بکار برید.** تنها این دستگاه های شارژ با باتری های لیتیوم-یونی (Li-Ion) ابزار برقی شما منطبق میباشند.

نکته: باتری های قابل شارژ لیتیوم یونی به دلیل قوانین حمل و نقل بین المللی به صورت نیمه شارژ تحویل داده می شوند. برای دست یافتن به توان کامل باتری قابل شارژ، قبل از به کارگیری آن برای اولین بار، باتری را به طور کامل شارژ کنید.

نحوه قرار دادن باتری قابل شارژ

باتری شارژ شده را به داخل محفظه باتری قابل شارژ برانید تا جا بیفتد.

نحوه برداشتن باتری قابل شارژ

برای برداشتن باتری قابل شارژ، دکمه های آزادسازی باتری را فشار دهید و آن را خارج کنید. **هنگام انجام این کار از اعمال فشار خودداری کنید.**

باتری قابل شارژ دارای 2 مرحله قفل می باشد که مانع از بیرون افتادن باتری قابل شارژ در اثر فشار ناخواسته روی دکمه آزادسازی باتری می شود. تا زمانی که باتری قابل شارژ داخل ابزار برقی قرار داشته باشد، توسط یک فنر در موقعیت خود نگه داشته می شود.

نشانگر وضعیت شارژ باتری

نکته: هر نوع باتری قابل شارژ دارای نشانگر میزان شارژ نیست.

پایه ابزارگیر را بچرخانید (GFA 18-E, GFA 18-W, GFA 18-WM) (رجوع کنید به تصویر E)

پایه ابزارگیر را به جلو برانید. ابزارگیر را به موقعیت مورد نظر بچرخانید و سپس آن را رها کنید تا جا بیافتد. پایه ابزارگیر در 16 حالت در تقسیم بندی 360° قفل می شود.

برداشتن نگهدارنده (رجوع کنید به تصویر F)

ابزار را درآورید.
سر سه نظام را در جهت  باز کنید و آن را از ابزارگیر (1) درآورید.

مکش گرد، براده و تراشه

گرد و غبار موادی مانند رنگ های دارای سرب، بعضی از چوب ها، مواد معدنی و فلزات میتوانند برای سلامتی مضر باشند. دست زدن و یا تنفس کردن گرد و غبار ممکن است باعث بروز آلرژی و یا بیماری مجاری تنفسی شخص استفاده کننده و یا افرادی که در آن نزدیکی میباشند، بشود.

گرد و غبارهای مخصوصی مانند گرد و غبار درخت بلوط و یا درخت راش سرطان زا هستند، بخصوص ترکیب آنها با سایر موادی که برای کار بر روی چوب (کرومات، مواد برای محافظت از چوب) بکار برده میشوند. فقط افراد متخصص مجازند با موادی که دارای آزیست میباشند کار کنند.

- توجه داشته باشید که محل کار شما از تهویه هوای کافی برخوردار باشد.

- توصیه میشود از ماسک تنفسی ایمنی با درجه فیلتر P2 استفاده کنید.

به قوانین و مقررات معتبر در کشور خود در رابطه با استفاده از مواد و قطعات کاری توجه کنید.

◀ **از تجمع گرد و غبار در محل کار جلوگیری کنید.** گرد و غبار می توانند به آسانی مشتعل شوند.

طرز کار با دستگاه

راه اندازی و نحوه کاربرد دستگاه

نحوه تنظیم جهت چرخش (رجوع کنید به تصویر H)
◀ **کلید تغییر جهت چرخش (11) را هنگام متوقف بودن دستگاه فعال کنید.**

توسط دکمه تعویض جهت چرخش (11) می توان جهت چرخش ابزار برقی را تغییر داد. هنگامی که کلید قطع و وصل (12) فشرده شده است، این امر ممکن نیست.

گردش به راست: برای سوراخکاری و چرخاندن پیچ ها، کلید تغییر جهت چرخش (11) را تا انتها به چپ فشار دهید.

گردش به چپ: برای چرخاندن و پیچاندن و نیز سفت کردن مهرهها، کلید تغییر جهت چرخش (11) را تا انتها به راست فشار دهید.

نحوه انتخاب گشتاور

به کمک حلقه تنظیم انتخاب گشتاور (3) می توان گشتاور لازم را در 20 درجه انتخاب کرد. به محض اینکه پیچ همسطح یا قطعه کار شود یا گشتاور تنظیم شده بدست آید، در صورت تنظیم صحیح، ابزار

توضیحات و تذکراتی برای نحوه بهینه کار با باتری

باتری را در برابر رطوبت و آب حفظ کنید.
باتری را منحصراً در دمای بین -20 تا 50 درجه نگهداری کنید. بطور مثال باتری را در تابستان داخل اتومبیل نگذارید.

گامیگاه شیارهای تهویه باتری را بوسیله یک قلم موی یا برس کوچک نرم و خشک تمیز کنید.

افت قابل توجه مدت زمان کارکرد باتری که تازه شارژ شده است، نمایانگر آن است که باتری فرسوده و مستعمل شده و باید تعویض شود.

به نکات مربوط به نحوه از رده خارج کردن باتری توجه کنید.

نصب

◀ **قبل از انجام هر گونه کاری با ابزار برقی (از جمله سرویس و نگهداری، تعویض ابزار و غیره)، باتری قابل شارژ را از داخل ابزار برقی خارج کنید.** در صورت فشرده شدن اتفاقی کلید روشن/خاموش، خطر آسیب دیدگی وجود دارد.

نصب ماژول Bluetooth® Low Energy GCY 42 / GCY 42 NC

جهت دریافت اطلاعات درباره Bluetooth® Low Energy Module, GCY 42 / GCY 42 NC

دفترچه راهنمای مربوطه را بخوانید.

تعویض ابزار

قرار دادن ابزار (رجوع کنید به تصویر A)

آداپتور قفل (2) را به عقب برانید و ابزار را چرخان در ابزارگیر (1) قرار دهید. آداپتور قفل (2) را دوباره رها کنید تا ابزار قفل شود

برداشتن ابزار

آداپتور قفل (2) را به عقب برانید و ابزار را چرخان از ابزارگیر (1) بردارید.

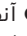
نصب نگهدارنده (رجوع کنید به تصویر B)

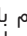
ابزار را درآورید.
نگهدارنده را در ابزارگیر (1) قرار دهید. رینگ تنظیم (20) را تا جا افتادن محسوس بچرخانید.

نصب ابزار در سر ابزار

GFA 18-E/GFA 18-W (رجوع کنید به تصویر C):
آداپتور قفل (2) را به عقب برانید و ابزار را چرخان در ابزارگیر (1) قرار دهید. آداپتور قفل (2) را دوباره رها کنید تا ابزار قفل شود

GFA 18-M/GFA 18-B (رجوع کنید به تصویر D):

سر سه نظام را با چرخاندن در جهت  آنقدر بچرخانید تا ابزار جا بیافتد. ابزار را قرار دهید.

بوش نگهدارنده سر سه نظام را محکم با دست در جهت  بچرخانید. اینگونه سه نظام به طور اتوماتیک قفل می شود.

محافظ بار اضافی وابسته به دما

در صورت استفاده اصولی، فشاری به ابزار برقی وارد نمی شود. در صورت فشار آمدن بیش از حد به دستگاه یا گذشتن از محدوده مجاز دمای کاری، سرعت کاهش یافته یا ابزار برقی خاموش می شود. ابزار برقی فقط پس از رسیدن به دمای مجاز کاری دوباره با سرعت کامل کار می کند.

محافظ اضافه بار وابسته به دما با روشن شدن چراغ LED به رنگ قرمز روی ابزار برقی نشان داده می شود.

- برای اینکه دستگاه مجدداً به محدوده مجاز دمای کاری برسد، ابزار برقی را در حالت آزاد راه اندازی کنید یا تا سبز شدن مجدد LED صبر کنید.

در صورت روشن شدن LED به رنگ سبز، دستگاه دوباره به محدوده مجاز دمای کاری رسیده است.

User Interface (رجوع کنید به تصویر 1)

از User Interface برای فعال و غیرفعال کردن کلاچ دقیق "Precision Clutch" و قطع سریع "KickBack Control" و همچنین برای نشانگر وضعیت ابزار برقی استفاده می شود.

کلاچ دقیق (Precision Clutch)

با رسیدن به گشتاور تنظیم شده، کلاچ دقیق دیگر درگیر نمی شود و بدینوسیله استهلاک و صدای ناشی از آن را کاهش می دهد.



کلاچ دقیق را می توان در رابط کاربری (10) با دکمه کلاچ دقیق (25) غیرفعال کرد. وضعیت فعلی از طریق LED کلاچ دقیق (26) روی رابط کاربری (10) نمایش داده می شود.

قطع سریع (KickBack Control)

قطع سریع (KickBack Control)

امکان کنترل بهتر را روی ابزار برقی فراهم می کند و اینگونه، در مقایسه با ابزارهای برقی فاقد KickBack Control، محافظت از کاربر را افزایش می دهد. در صورت چرخش ناگهانی و غیر قابل پیش بینی ابزار برقی حول محور مته، ابزار برقی خاموش می شود.






قطع سریع با چشمک زدن (21) LED به رنگ قرمز، چشمک زدن چراغ کار (24) و همچنین روشن شدن LED مربوط به KickBack Control به رنگ قرمز روی ابزار برقی نشان داده می شود.

برای راه اندازی دوباره کلید قطع و وصل را رها کنید و آن را دوباره فشار دهید.

چنانچه عملکرد KickBack Control خراب

باشد، ابزار برقی دیگر روشن نمی شود. برای تعمیر ابزار برقی فقط به متخصصین حرفه ای مراجعه کنید و فقط از قطعات یدکی اصل استفاده نمایید.

قطع سریع را می توان از روی User Interface (10) با دکمه (23) KickBack Control غیرفعال کرد. چنانچه ابزار برقی بیش از 5 دقیقه مورد استفاده قرار نگردد یا باتری قابل شارژ از روی دستگاه برداشته شود، قطع سریع به طور اتوماتیک دوباره فعال می شود. وضعیت فعلی از طریق LED مربوط به KickBack Control (22) واقع در User Interface (10) نشان داده می شود.

متوقف می شود. در موقعیت  کلاچ ایمنی غیرفعال است، مثلاً هنگام سوراخ کاری. برای بیرون کشیدن پیچ ها یک درجه بالاتر را انتخاب یا روی علامت  تنظیم کنید. در موقعیت  حداکثر گشتاور جهت سوراخ کاری و پیچ کاری بدست می آید.

انتخاب مکانیکی دنده

◀ **کلید تغییر جهت چرخش (4) را هنگام متوقف بودن دستگاه فعال کنید.**

◀ **دکمه انتخاب دنده را همواره تا انتها برانید.** در غیر اینصورت امکان آسیب دیدن ابزار برقی وجود دارد.

با کلید انتخاب دنده (4) می توان 2 محدوده سرعت را از پیش تنظیم کرد.

موقعیت کلید انتخاب سرعت (4)	سرعت گشتاور محدوده کاربرد	کم	زیاد
1	برای کاربردهای سخت: برای مثال سوراخ کاری و پیچ کاری با قطر بزرگ	کم	زیاد
2	برای کاربردهای آسان: برای مثال سوراخ کاری و پیچ کاری با قطر کم	زیاد	کم

تنظیم نوع عملکرد

سوراخ کاری

برای رسیدن به حداکثر گشتاور جهت سوراخ کاری و پیچ کاری، حلقه تنظیم انتخاب گشتاور (3) را روی علامت "سوراخ کاری" قرار دهید.



پیچ کاری

حلقه تنظیم انتخاب گشتاور (3) را روی درجه گشتاور دلخواه تنظیم کنید.



نحوه روشن و خاموش کردن

برای راه اندازی ابزار برقی، کلید قطع و وصل (12) را فشار داده و آنرا در حالت فشرده نگه دارید. چراغ کار (24) هنگام کم فشردگی بودن کلید قطع و وصل (12) روشن میشود و محیط کار را در صورت عدم وجود شرایط مناسب نور، روشن می کند.

تنظیم سرعت (دور موتور)

سرعت ابزار برقی را می توان با فشردن دلخواه کلید قطع و وصل (12) تنظیم کرد.

فشار کم روی کلید قطع و وصل (12) سرعت کاهش مییابد. افزایش فشار بر روی کلید قطع و وصل باعث افزایش سرعت میشود.

خوشبید، چراغ هشدار به سختی قابل تشخیص است.

نکته: چراغ هشدار LED ها، از همه جهات قابل رؤیت نیست! هنگام تابش شدید نور

نمایشگرهای وضعیت

راه حل	معنی/دلیل	نشانه‌گر وضعیت ابزار برقی
-	وضعیت OK	سبز
بگذارید ابزار برقی در حالت آزاد کار کند و خنک شود، باتری قابل شارژ را سریعاً تعویض یا شارژ کنید یا دکمه KickBack Control را فشار دهید	دما به وضعیت هشدار رسیده، باتری قابل شارژ تقریباً خالی شده یا KickBack Control خاموش شده است	زرد
بگذارید ابزار برقی خنک شود یا باتری قابل شارژ را تعویض یا شارژ کنید	ابزار برقی بیش از حد داغ شده یا باتری قابل شارژ خالی است	چراغ ثابت قرمز
ابزار برقی را خاموش و دوباره روشن کنید	قطع سریع فعال شده است	چراغ چشمک زن قرمز
-	ابزار برقی به دستگاه همراه نهایی متصل است یا تنظیمات در حال انتقال می باشند	چراغ چشمک زن آبی

مراقبت و سرویس

مراقبت، تعمیر و تمیز کردن دستگاه

- قبل از انجام هر گونه کاری با ابزار برقی (از جمله سرویس و نگهداری، تعویض ابزار و غیره)، باتری قابل شارژ را از داخل ابزار برقی خارج کنید. در صورت فشردن شدن اتفاقی کلید روشن/خاموش، خطر آسیب دیدگی وجود دارد.
- ابزار برقی و شیارهای تهویه را همواره تمیز نگه دارید تا بتوان بخوبی و با اطمینان کار کرد.

خدمات و مشاوره با مشتریان

دفتر خدمات پس از فروش به سئوالات شما در باره تعمیرات، سرویس و همچنین قطعات یدکی و متعلقات پاسخ خواهد داد. تصاویر و اطلاعات در باره قطعات یدکی و متعلقات را میتوانید در سایت نامبرده زیر جستجو نمایید: www.bosch-pt.com

تیم مشاوره Bosch شما را در مورد سئوالاتان نسبت به محصولات و متعلقات ما حمایت می کند. برای هرگونه سئوال و یا سفارش ابزار یدکی و متعلقات، حتماً شماره فنی ده رقمی کالا را مطابق برچسب روی ابزار برقی اطلاع دهید.

ایران

روبرت بوش ایران - شرکت بوش تجارت پارس
میدان ونک، خیابان شهید خدای، خیابان آفتاب
ساختمان مادیران، شماره 3، طبقه سوم.
تهران 1994834571
تلفن: 42039000 +9821

سایر اطلاعات مربوط به خدمات را اینجا می یابید:

www.bosch-pt.com/serviceaddresses

حمل و نقل

باتریهای لیتیوم-یونی توصیه شده تابع مقررات حمل کالاهای پر خطر می باشند. کاربر می تواند باتریها را بدون استفاده از روکش در خیابان حمل کند.

عملکرد های ارتباطی

در رابطه با Bluetooth® Low Energy Module یا **GCY 42 / GCY 42 NC** عملکردهای ارتباطی زیر برای ابزار برقی در دسترس هستند:

- ثبت و شخصی سازی
- بررسی وضعیت، اعلام هشدارها
- اطلاعات عمومی
- مدیریت
- نحوه روشن/خاموش کردن چراغ کار
- نحوه تنظیم میزان روشنایی و مدت زمان روشن ماندن چراغ کار
- نحوه تنظیم میزان روشنایی و مدت زمان روشن ماندن User Interface

جهت دریافت اطلاعات درباره Bluetooth® Low Energy Module، **GCY 42 / GCY 42 NC** دفترچه راهنمای مربوطه را بخوانید.

راهنمائیهای عملی

ابزار برقی در صورت نصب ماژول Bluetooth® Low Energy **GCY 42 / GCY 42 NC** (متعلقات) به یک رابط کاربری رادیویی مجهز شده است. به محدودیت های عملیاتی در مکان مورد نظر، برای مثال در هواپیماها یا بیمارستانها، توجه کنید.

ابزار برقی را تنها در حالت خاموش روی پیچ قرار دهید. امکان لغزش ابزار در حال چرخش وجود دارد.

گیره رکابی نگهدارنده/گیره اتصال به کمر بند با استفاده از گیره رکابی نگهدارنده (7) می توانید ابزار برقی را بعنوان مثال به یک تسمه یا به کمر بند متصل کنید. در این صورت هر دو دست شما آزاد است و در صورت لزوم، ابزار برقی در دسترس شما است.

در صورت ارسال از طرف شرکت ثالث (مثلاً: حمل و نقل هوایی یا زمینی) باید تمهیدات مربوط به بسته بندی و علامتگذاری مورد توجه قرار گیرد. در اینصورت باید حتماً جهت آماده سازی قطعه ارسالی به کارشناس حمل کالاهای پر خطر مراجعه کرد. باتریهای شارژی را فقط در صورتی ارسال کنید که بدنه آنها آسیب ندیده باشد. کنتاکتهای باز را بپوشانید و باتری را طوری بسته بندی کنید که در بسته بندی تکان نخورد. در این باره لطفاً به مقررات و آیین نامه های ملی توجه کنید.

از رده خارج کردن دستگاه

ابزارهای برقی، باتری ها، متعلقات و بسته بندی ها، باید طبق مقررات حفظ محیط زیست از رده خارج و بازیافت شوند.



ابزار برقی و باتری ها/ باتری های قابل شارژ را داخل زباله دان خانگی نیندازید!



باتریهای شارژی/قلمی:

لیتیوم-یونی:

لطفاً به تذکرات بخش "حمل و نقل" توجه کنید (رجوع کنید به „حمل و نقل“، صفحه 106).



1 600 A01 3P6 (GFA 18-M)



1 600 A00 1SL (GFA 18-B)



1 600 A01 3P7 (GFA 18-W)



1 600 A00 1SJ (GFA 18-E)



1 600 A02 EP6 (GFA 18-WM)



1 600 A00 3NF (GFA 18-H)

Legal Information and Licenses

Library NanoPb version 0.3.9.2:

Copyright © 2011 Petteri Aimonen <jpa at nanopb.mail.kapsi.fi>

This software is provided 'as-is', without any express or implied warranty. In no event will the authors be held liable for any damages arising from the use of this software.

Permission is granted to anyone to use this software for any purpose, including commercial applications, and to alter it and redistribute it freely, subject to the following restrictions:

1. The origin of this software must not be misrepresented; you must not claim that you wrote the original software. If you use this software in a product, an acknowledgment in the product documentation would be appreciated but is not required.
2. Altered source versions must be plainly marked as such, and must not be misrepresented as being the original software.
3. This notice may not be removed or altered from any source distribution.

Library TLE version 1.5.0:

Copyright © 2015, Infineon Technologies AG

All rights reserved.

Redistribution and use in source and binary forms, with or without modification, are permitted provided that the following conditions are met:

- Redistributions of source code must retain the above copyright notice, this list of conditions and the following disclaimer.
- Redistributions in binary form must reproduce the above copyright notice, this list of conditions and the following disclaimer in the documentation and/or other materials provided with the distribution.
- Neither the name of the copyright holders nor the names of its contributors may be used to endorse or promote products derived from this software without specific prior written permission.

THIS SOFTWARE IS PROVIDED BY THE COPYRIGHT HOLDERS AND CONTRIBUTORS "AS IS" AND ANY EXPRESS OR IMPLIED WARRANTIES, INCLUDING, BUT NOT LIMITED TO, THE IMPLIED WARRANTIES OF MERCHANTABILITY AND FITNESS FOR A PARTICULAR PURPOSE ARE DISCLAIMED. IN NO EVENT SHALL THE COPYRIGHT HOLDER OR CONTRIBUTORS BE LIABLE FOR ANY DIRECT, INDIRECT, INCIDENTAL, SPECIAL, EXEMPLARY, OR CONSEQUENTIAL DAMAGES (INCLUDING, BUT NOT LIMITED TO, PROCUREMENT OF SUBSTITUTE GOODS OR SERVICES; LOSS OF USE, DATA, OR PROFITS; OR BUSINESS INTERRUPTION) HOWEVER CAUSED AND ON ANY THEORY OF LIABILITY, WHETHER IN CONTRACT, STRICT LIABILITY, OR TORT (INCLUDING NEGLIGENCE OR OTHERWISE) ARISING IN ANY WAY OUT OF THE USE OF THIS SOFTWARE, EVEN IF ADVISED OF THE POSSIBILITY OF SUCH DAMAGE.

Library ARM CMSIS 4:

ARM CMSIS CORTEX-M CORE version 3.20

Copyright © 2009–2015 ARM LIMITED

All rights reserved.

Redistribution and use in source and binary forms, with or without modification, are permitted provided that the following conditions are met:

- Redistributions of source code must retain the above copyright notice, this list of conditions and the following disclaimer.

- Redistributions in binary form must reproduce the above copyright notice, this list of conditions and the following disclaimer in the documentation and/or other materials provided with the distribution.
- Neither the name of ARM nor the names of its contributors may be used to endorse or promote products derived from this software without specific prior written permission.

THIS SOFTWARE IS PROVIDED BY THE COPYRIGHT HOLDERS AND CONTRIBUTORS "AS IS" AND ANY EXPRESS OR IMPLIED WARRANTIES, INCLUDING, BUT NOT LIMITED TO, THE IMPLIED WARRANTIES OF MERCHANTABILITY AND FITNESS FOR A PARTICULAR PURPOSE ARE DISCLAIMED. IN NO EVENT SHALL COPYRIGHT HOLDERS AND CONTRIBUTORS BE LIABLE FOR ANY DIRECT, INDIRECT, INCIDENTAL, SPECIAL, EXEMPLARY, OR CONSEQUENTIAL DAMAGES (INCLUDING, BUT NOT LIMITED TO, PROCUREMENT OF SUBSTITUTE GOODS OR SERVICES; LOSS OF USE, DATA, OR PROFITS; OR BUSINESS INTERRUPTION) HOWEVER CAUSED AND ON ANY THEORY OF LIABILITY, WHETHER IN CONTRACT, STRICT LIABILITY, OR TORT (INCLUDING NEGLIGENCE OR OTHERWISE) ARISING IN ANY WAY OUT OF THE USE OF THIS SOFTWARE, EVEN IF ADVISED OF THE POSSIBILITY OF SUCH DAMAGE.

Library ARM CMSIS 4:

ARM CMSIS DSP version 1.4.1

Copyright © 2009–2015 ARM LIMITED

All rights reserved.

Redistribution and use in source and binary forms, with or without modification, are permitted provided that the following conditions are met:

- Redistributions of source code must retain the above copyright notice, this list of conditions and the following disclaimer.
- Redistributions in binary form must reproduce the above copyright notice, this list of conditions and the following disclaimer in the documentation and/or other materials provided with the distribution.
- Neither the name of ARM nor the names of its contributors may be used to endorse or promote products derived from this software without specific prior written permission.

THIS SOFTWARE IS PROVIDED BY THE COPYRIGHT HOLDERS AND CONTRIBUTORS "AS IS" AND ANY EXPRESS OR IMPLIED WARRANTIES, INCLUDING, BUT NOT LIMITED TO, THE IMPLIED WARRANTIES OF MERCHANTABILITY AND FITNESS FOR A PARTICULAR PURPOSE ARE DISCLAIMED. IN NO EVENT SHALL COPYRIGHT HOLDERS AND CONTRIBUTORS BE LIABLE FOR ANY DIRECT, INDIRECT, INCIDENTAL, SPECIAL, EXEMPLARY, OR CONSEQUENTIAL DAMAGES (INCLUDING, BUT NOT LIMITED TO, PROCUREMENT OF SUBSTITUTE GOODS OR SERVICES; LOSS OF USE, DATA, OR PROFITS; OR BUSINESS INTERRUPTION) HOWEVER CAUSED AND ON ANY THEORY OF LIABILITY, WHETHER IN CONTRACT, STRICT LIABILITY, OR TORT (INCLUDING NEGLIGENCE OR OTHERWISE) ARISING IN ANY WAY OUT OF THE USE OF THIS SOFTWARE, EVEN IF ADVISED OF THE POSSIBILITY OF SUCH DAMAGE.

STM32F0:

ST Product License: V2

Copyright © 2014 STMicroelectronics

Under STMicroelectronics' intellectual property rights, the redistribution, reproduction and use in source and binary forms of the software or any part thereof, with or without modification, are permitted provided that the following conditions are met:

1. Redistribution of source code (modified or not) must retain any copyright notice, this list of conditions and the disclaimer set forth below as items 10 and 11.
2. Redistributions in binary form, except as embedded into microcontroller or microprocessor device manufactured by or for STMicroelectronics or a software update for such device, must reproduce any copyright notice provided with the binary code, this list of conditions, and the disclaimer set forth below as items 10 and 11, in documentation and/or other materials provided with the distribution.
3. Neither the name of STMicroelectronics nor the names of other contributors to this software may be used to endorse or promote products derived from this software or part thereof without specific written permission.
4. This software or any part thereof, including modifications and/or derivative works of this software, must be used and execute solely and exclusively on or in combination with a microcontroller or microprocessor device manufactured by or for STMicroelectronics.
5. No use, reproduction or redistribution of this software partially or totally may be done in any manner that would subject this software to any Open Source Terms. "Open Source Terms" shall mean any open source license which requires as part of distribution of software that the source code of such software is distributed therewith or otherwise made available, or open source license that substantially complies with the Open Source definition specified at www.opensource.org and any other comparable open source license such as for example GNU General Public License (GPL), Eclipse Public License (EPL), Apache Software License, BSD license or MIT license.
6. STMicroelectronics has no obligation to provide any maintenance, support or updates for the software.
7. The software is and will remain the exclusive property of STMicroelectronics and its licensors. The recipient will not take any action that jeopardizes STMicroelectronics and its licensors' proprietary rights or acquire any rights in the software, except the limited rights specified hereunder.
8. The recipient shall comply with all applicable laws and regulations affecting the use of the software or any part thereof including any applicable export control law or regulation.
9. Redistribution and use of this software or any part thereof other than as permitted under this license is void and will automatically terminate your rights under this license.
10. THIS SOFTWARE IS PROVIDED BY STMICROELECTRONICS AND CONTRIBUTORS "AS IS" AND ANY EXPRESS, IMPLIED OR STATUTORY WARRANTIES, INCLUDING, BUT NOT LIMITED TO, THE IMPLIED WARRANTIES OF MERCHANTABILITY, FITNESS FOR A PARTICULAR PURPOSE AND NON-INFRINGEMENT OF THIRD PARTY INTELLECTUAL PROPERTY RIGHTS, WHICH ARE DISCLAIMED TO THE FULLEST EXTENT PERMITTED BY LAW. IN NO EVENT SHALL STMICROELECTRONICS OR CONTRIBUTORS BE LIABLE FOR ANY DIRECT, INDIRECT, INCIDENTAL, SPECIAL, EXEMPLARY, OR CONSEQUENTIAL DAMAGES (INCLUDING, BUT NOT LIMITED TO, PROCUREMENT OF SUBSTITUTE GOODS OR SERVICES; LOSS OF USE, DATA, OR PROFITS; OR BUSINESS INTERRUPTION) HOWEVER CAUSED AND ON ANY THEORY OF LIABILITY, WHETHER IN CONTRACT, STRICT LIABILITY, OR TORT (INCLUDING NEGLIGENCE OR OTHERWISE) ARISING IN ANY WAY OUT OF THE USE OF THIS SOFTWARE, EVEN IF ADVISED OF THE POSSIBILITY OF SUCH DAMAGE.
11. EXCEPT AS EXPRESSLY PERMITTED HEREUNDER, NO LICENSE OR OTHER RIGHTS, WHETHER EXPRESS OR IMPLIED, ARE GRANTED UNDER ANY PATENT OR OTHER INTELLECTUAL PROPERTY RIGHTS OF STMICROELECTRONICS OR ANY THIRD PARTY.

Licenses that apply are included in this manual under "Legal Information and Licenses".

Warranty Disclaimer

This product contains Open Source Software components which underly Open Source Software Licenses. Please note that Open Source Licenses contain disclaimer clauses. The text of the Open Source