



GSB Professional

183-LI



Robert Bosch Power Tools GmbH
70538 Stuttgart
GERMANY

www.bosch-pt.com

1 609 92A A5D (2024.09) 0 / 124



1 609 92A A5D

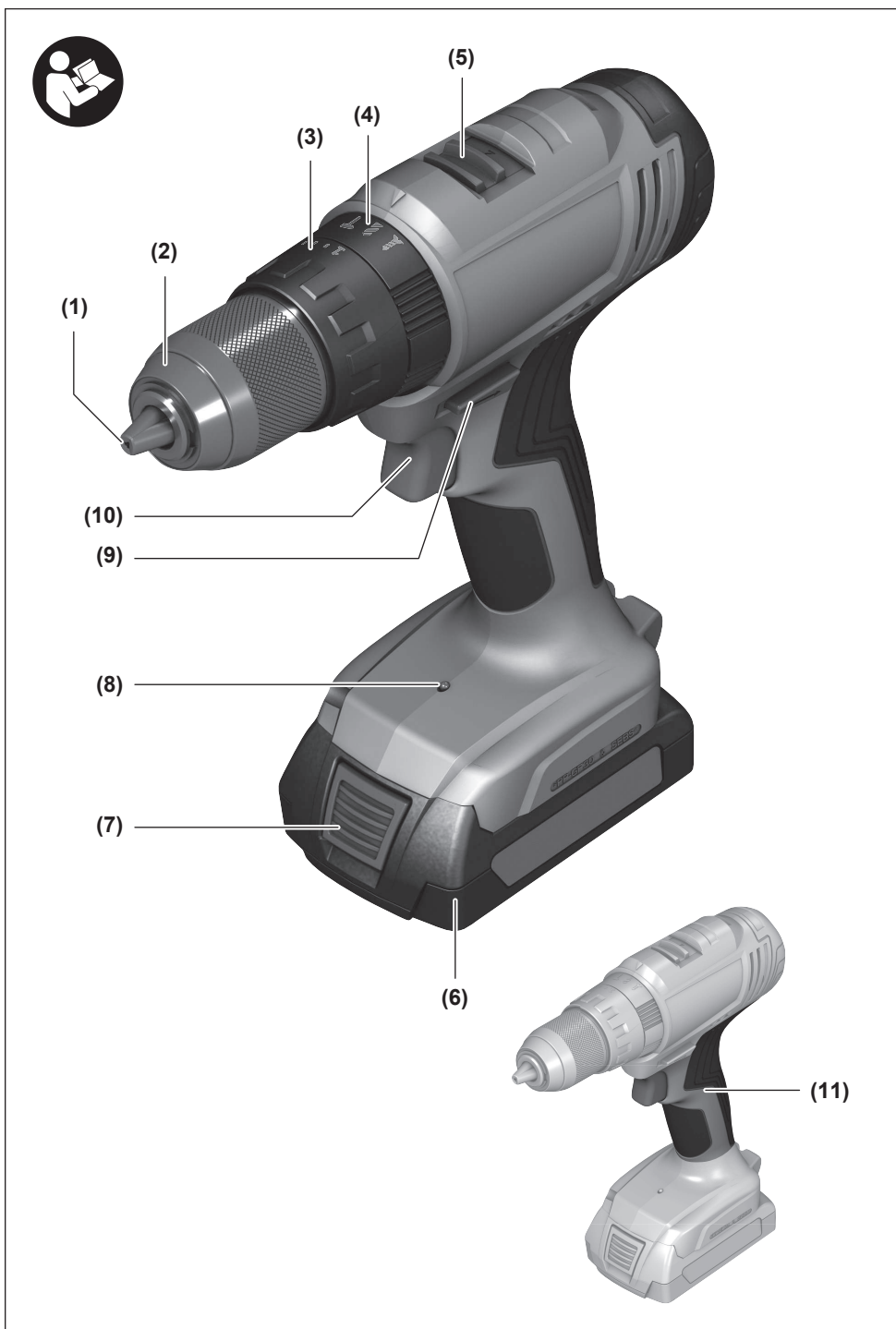
en Original instructions
fr Notice originale
pt Manual original
tr Orijinal işletme talimatı
pl Instrukcja oryginalna
cs Původní návod k používání
sk Pôvodný návod na použitie
hu Eredeti használati utasítás
ru Оригинальное руководство по эксплуатации
uk Оригінальна інструкція з експлуатації
kk Пайдалану нұсқаулығының түпнұсқасы
ro Instrucțiuni originale
bg Оригинална инструкция
mk Оригинално упатство за работа
sr Originalno uputstvo za rad

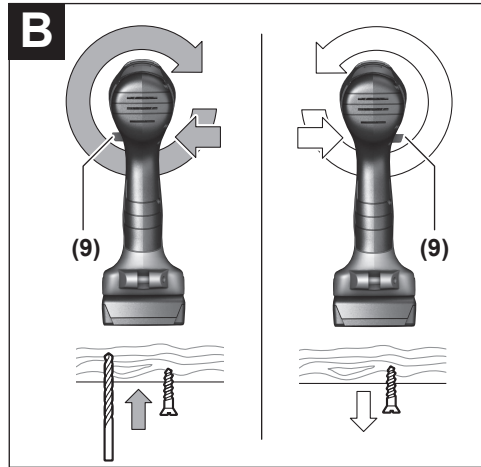
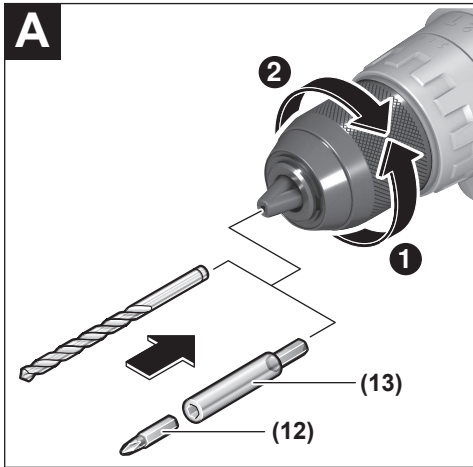
sl Izvirna navodila
hr Originalne upute za rad
ar دليل التشغيل الأصلي
fa دفترچه راهنمای اصلی



English	Page	5
Français	Page	10
Português	Página	16
Türkçe	Sayfa	22
Polski	Strona	29
Čeština	Stránka	35
Slovenčina	Stránka	40
Magyar	Oldal	46
Русский	Страница	52
Українська	Сторінка	60
Қазақ	Бет	67
Română	Pagina	74
Български	Страница	81
Македонски	Страница	87
Srpski	Strana	93
Slovenščina	Stran	99
Hrvatski	Stranica	105
عربي	الصفحة	111
فارسی	صفحه	117

CE





English

Safety Instructions

General Power Tool Safety Warnings

⚠ WARNING Read all safety warnings, instructions, illustrations and specifications provided with this power tool. Failure to follow all instructions listed below may result in electric shock, fire and/or serious injury.

Save all warnings and instructions for future reference.

The term "power tool" in the warnings refers to your mains-operated (corded) power tool or battery-operated (cordless) power tool.

Work area safety

- ▶ **Keep work area clean and well lit.** Cluttered or dark areas invite accidents.
- ▶ **Do not operate power tools in explosive atmospheres, such as in the presence of flammable liquids, gases or dust.** Power tools create sparks which may ignite the dust or fumes.
- ▶ **Keep children and bystanders away while operating a power tool.** Distractions can cause you to lose control.

Electrical safety

- ▶ **Power tool plugs must match the outlet. Never modify the plug in any way. Do not use any adapter plugs with earthed (grounded) power tools.** Unmodified plugs and matching outlets will reduce risk of electric shock.
- ▶ **Avoid body contact with earthed or grounded surfaces, such as pipes, radiators, ranges and refrigerators.** There is an increased risk of electric shock if your body is earthed or grounded.
- ▶ **Do not expose power tools to rain or wet conditions.** Water entering a power tool will increase the risk of electric shock.
- ▶ **Do not abuse the cord. Never use the cord for carrying, pulling or unplugging the power tool. Keep cord away from heat, oil, sharp edges or moving parts.** Damaged or entangled cords increase the risk of electric shock.
- ▶ **When operating a power tool outdoors, use an extension cord suitable for outdoor use.** Use of a cord suitable for outdoor use reduces the risk of electric shock.
- ▶ **If operating a power tool in a damp location is unavoidable, use a residual current device (RCD) protected supply.** Use of an RCD reduces the risk of electric shock.

Personal safety

- ▶ **Stay alert, watch what you are doing and use common sense when operating a power tool. Do not use a power tool while you are tired or under the influence of drugs, alcohol or medication.** A moment of inatten-

tion while operating power tools may result in serious personal injury.

- ▶ **Use personal protective equipment. Always wear eye protection.** Protective equipment such as a dust mask, non-skid safety shoes, hard hat or hearing protection used for appropriate conditions will reduce personal injuries.
- ▶ **Prevent unintentional starting. Ensure the switch is in the off-position before connecting to power source and/or battery pack, picking up or carrying the tool.** Carrying power tools with your finger on the switch or energising power tools that have the switch on invites accidents.
- ▶ **Remove any adjusting key or wrench before turning the power tool on.** A wrench or a key left attached to a rotating part of the power tool may result in personal injury.
- ▶ **Do not overreach. Keep proper footing and balance at all times.** This enables better control of the power tool in unexpected situations.
- ▶ **Dress properly. Do not wear loose clothing or jewellery. Keep your hair and clothing away from moving parts.** Loose clothes, jewellery or long hair can be caught in moving parts.
- ▶ **If devices are provided for the connection of dust extraction and collection facilities, ensure these are connected and properly used.** Use of dust collection can reduce dust-related hazards.
- ▶ **Do not let familiarity gained from frequent use of tools allow you to become complacent and ignore tool safety principles.** A careless action can cause severe injury within a fraction of a second.

Power tool use and care

- ▶ **Do not force the power tool. Use the correct power tool for your application.** The correct power tool will do the job better and safer at the rate for which it was designed.
- ▶ **Do not use the power tool if the switch does not turn it on and off.** Any power tool that cannot be controlled with the switch is dangerous and must be repaired.
- ▶ **Disconnect the plug from the power source and/or remove the battery pack, if detachable, from the power tool before making any adjustments, changing accessories, or storing power tools.** Such preventive safety measures reduce the risk of starting the power tool accidentally.
- ▶ **Store idle power tools out of the reach of children and do not allow persons unfamiliar with the power tool or these instructions to operate the power tool.** Power tools are dangerous in the hands of untrained users.
- ▶ **Maintain power tools and accessories. Check for misalignment or binding of moving parts, breakage of parts and any other condition that may affect the power tool's operation. If damaged, have the power tool repaired before use.** Many accidents are caused by poorly maintained power tools.

- ▶ **Keep cutting tools sharp and clean.** Properly maintained cutting tools with sharp cutting edges are less likely to bind and are easier to control.
- ▶ **Use the power tool, accessories and tool bits etc. in accordance with these instructions, taking into account the working conditions and the work to be performed.** Use of the power tool for operations different from those intended could result in a hazardous situation.
- ▶ **Keep handles and grasping surfaces dry, clean and free from oil and grease.** Slippery handles and grasping surfaces do not allow for safe handling and control of the tool in unexpected situations.

Battery tool use and care

- ▶ **Recharge only with the charger specified by the manufacturer.** A charger that is suitable for one type of battery pack may create a risk of fire when used with another battery pack.
- ▶ **Use power tools only with specifically designated battery packs.** Use of any other battery packs may create a risk of injury and fire.
- ▶ **When battery pack is not in use, keep it away from other metal objects, like paper clips, coins, keys, nails, screws or other small metal objects, that can make a connection from one terminal to another.** Shorting the battery terminals together may cause burns or a fire.
- ▶ **Under abusive conditions, liquid may be ejected from the battery; avoid contact. If contact accidentally occurs, flush with water. If liquid contacts eyes, additionally seek medical help.** Liquid ejected from the battery may cause irritation or burns.
- ▶ **Do not use a battery pack or tool that is damaged or modified.** Damaged or modified batteries may exhibit unpredictable behaviour resulting in fire, explosion or risk of injury.
- ▶ **Do not expose a battery pack or tool to fire or excessive temperature.** Exposure to fire or temperature above 130 °C may cause explosion.
- ▶ **Follow all charging instructions and do not charge the battery pack or tool outside the temperature range specified in the instructions.** Charging improperly or at temperatures outside the specified range may damage the battery and increase the risk of fire.

Service

- ▶ **Have your power tool serviced by a qualified repair person using only identical replacement parts.** This will ensure that the safety of the power tool is maintained.
- ▶ **Never service damaged battery packs.** Service of battery packs should only be performed by the manufacturer or authorized service providers.

Safety Warnings for Drills

Safety instructions for all operations

- ▶ **Wear ear protectors when impact drilling.** Exposure to noise can cause hearing loss.

- ▶ **Hold the power tool by insulated gripping surfaces, when performing an operation where the cutting accessory or fasteners may contact hidden wiring.** Cutting accessory or fasteners contacting a "live" wire may make exposed metal parts of the power tool "live" and could give the operator an electric shock.

Safety instructions when using long drill bits

- ▶ **Never operate at higher speed than the maximum speed rating of the drill bit.** At higher speeds, the bit is likely to bend if allowed to rotate freely without contacting the workpiece, resulting in personal injury.
- ▶ **Always start drilling at low speed and with the bit tip in contact with the workpiece.** At higher speeds, the bit is likely to bend if allowed to rotate freely without contacting the workpiece, resulting in personal injury.
- ▶ **Apply pressure only in direct line with the bit and do not apply excessive pressure.** Bits can bend causing breakage or loss of control, resulting in personal injury.

Additional safety warnings

- ▶ **Switch the power tool off immediately if the application tool becomes blocked. Be prepared for high torque reactions which cause kickback.** The application tool becomes blocked when it becomes jammed in the workpiece or when the power tool becomes overloaded.
- ▶ **Hold the power tool securely.** When tightening and loosening screws be prepared for temporarily high torque reactions.
- ▶ **Secure the workpiece.** A workpiece clamped with clamping devices or in a vice is held more secure than by hand.
- ▶ **Use suitable detectors to determine if there are hidden supply lines or contact the local utility company for assistance.** Contact with electric cables can cause fire and electric shock. Damaging gas lines can lead to explosion. Breaking water pipes causes property damage.
- ▶ **Always wait until the power tool has come to a complete stop before placing it down.** The application tool can jam and cause you to lose control of the power tool.
- ▶ **In case of damage and improper use of the battery, vapours may be emitted. The battery can set alight or explode.** Ensure the area is well ventilated and seek medical attention should you experience any adverse effects. The vapours may irritate the respiratory system.
- ▶ **Do not modify or open the battery.** There is a risk of short-circuiting.
- ▶ **The battery can be damaged by pointed objects such as nails or screwdrivers or by force applied externally.** An internal short circuit may occur, causing the battery to burn, smoke, explode or overheat.
- ▶ **Only use the battery in the manufacturer's products.** This is the only way in which you can protect the battery against dangerous overload.



Protect the battery against heat, e.g. against continuous intense sunlight, fire, dirt, water and moisture. There is a risk of explosion and short-circuiting.



Product Description and Specifications



Read all the safety and general instructions.

Failure to observe the safety and general instructions may result in electric shock, fire and/or serious injury.

Please observe the illustrations at the beginning of this operating manual.

Intended use

The power tool is intended for tightening and loosening screws, as well as for drilling in wood, metal, ceramic and plastic and for impact drilling in brick, masonry and stone.

Product Features

The numbering of the product features refers to the diagram of the power tool on the graphics page.

- (1) Tool holder
- (2) Keyless chuck
- (3) Torque presetting ring
- (4) Operating mode presetting ring
- (5) Gear selector switch
- (6) Rechargeable battery^{a)}
- (7) Rechargeable battery release button^{a)}
- (8) Worklight (LED)
- (9) Rotational direction switch
- (10) On/off switch
- (11) Handle (insulated gripping surface)
- (12) Screwdriver bit^{a)}
- (13) Universal bit holder^{a)}

a) **This accessory is not part of the standard scope of delivery.**

Technical Data

Cordless Impact Drill	GSB 183-LI	
Article number		3 601 JK9 1..
Rated voltage	V=	18
No-load speed ^{A)B)}		
– First gear	min ⁻¹	0–440
– Second gear	min ⁻¹	0–1650
Max. torque for hard/soft screwdriving applications ^{A)B)}	Nm	56/21
Impact rate ^{A)B)}	min ⁻¹	24000
Max. drilling diameter		
– Masonry	mm	10

Cordless Impact Drill	GSB 183-LI	
– Steel	mm	10
– Wood	mm	35
Chuck capacity	mm	13
Max. screw diameter	mm	10
Weight ^{B)}	kg	1.6 (2 Ah)– 2.6 (12 Ah)
Recommended ambient temperature during charging	°C	0 to +35
Permitted ambient temperature during operation ^{C)} and during storage	°C	–20 to +50
Recommended rechargeable batteries		GBA 18V... ProCORE18V...
Recommended battery chargers		GAL 18... GAX 18... GAL 36...

A) Measured at 20–25 °C with rechargeable battery **GBA 18V 2.0Ah**

B) Depending on battery in use

C) Limited performance at temperatures < 0 °C

Values can vary depending on the product, scope of application and environmental conditions. To find out more, visit www.bosch-professional.com/wac.

Noise/vibration information

Noise emission values determined according to **EN 62841-2-1**.

Typically, the A-weighted noise level of the power tool is:

Sound pressure level **86 dB(A)**; sound power level **94 dB(A)**. Uncertainty K = **5 dB**.

Wear hearing protection!

Vibration total values a_{hv} (triax vector sum) and uncertainty K determined according to **EN 62841-2-1**:

Drilling into metal: $a_h = 1.0 \text{ m/s}^2$, K = **1.5 m/s²**

Impact drilling into concrete: $a_{hv} = 12.8 \text{ m/s}^2$, K = **1.5 m/s²**

The vibration level and noise emission value given in these instructions have been measured in accordance with a standardised measuring procedure and may be used to compare power tools. They may also be used for a preliminary estimation of vibration and noise emissions.

The stated vibration level and noise emission value represent the main applications of the power tool. However, if the power tool is used for other applications, with different accessories or is poorly maintained, the vibration level and noise emission value may differ. This may significantly increase the vibration and noise emissions over the total working period.

To estimate vibration and noise emissions accurately, the times when the tool is switched off or when it is running but not actually being used should also be taken into account. This may significantly reduce vibration and noise emissions over the total working period.

Implement additional safety measures to protect the operator from the effects of vibration, such as servicing the

power tool and accessories, keeping their hands warm, and organising workflows correctly.

Assembly

- ▶ **Before carrying out any work on the power tool (e.g. maintenance, tool change etc.), remove the battery from the power tool.** There is risk of injury from unintentionally pressing the on/off switch.

Charging the Battery

- ▶ **Use only the chargers listed in the technical data.** Only these chargers are matched to the lithium-ion battery of your power tool.

Note: The battery is supplied partially charged. To ensure full battery capacity, fully charge the battery in the charger before using your power tool for the first time.

The lithium-ion battery can be charged at any time without reducing its service life. Interrupting the charging process does not damage the battery.

The lithium-ion battery is protected against deep discharge by the "Electronic Cell Protection (ECP)". When the battery is discharged, the power tool is switched off by means of a protective circuit: The accessory no longer rotates.

- ▶ **Do not continue to press the On/Off switch after the power tool has automatically switched off.** The battery can be damaged.

Follow the instructions on correct disposal.

Removing the Battery

The battery (6) is equipped with two locking levels to prevent the battery from falling out when pushing the battery release button (7) unintentionally. As long as the battery is inserted in the power tool, it is held in position by means of a spring.

To remove the battery (6), press the release button (7) and pull the battery out of the power tool. **Do not use force to do this.**

Changing the tool (see figure A)

- ▶ **Before carrying out any work on the power tool (e.g. maintenance, tool change etc.), remove the battery from the power tool.** There is risk of injury from unintentionally pressing the on/off switch.

The drill spindle is locked when the on/off switch (10) is not pressed. This makes it possible to change the application tool in the drill chuck quickly, conveniently and easily.

Open the keyless chuck (2) by turning it in the direction of rotation ① until the tool can be inserted. Insert the tool.

Firmly tighten the keyless chuck (2) by turning it by hand in the direction of rotation ②. This will automatically lock the drill chuck.

Dust/Chip Extraction

Dust from materials such as lead-containing coatings, some wood types, minerals and metal can be harmful to one's health. Touching or breathing-in the dust can cause allergic

reactions and/or lead to respiratory infections of the user or bystanders.

Certain dust, such as oak or beech dust, is considered carcinogenic, especially in connection with wood-treatment additives (chromate, wood preservative). Materials containing asbestos may only be worked by specialists.

- Provide for good ventilation of the working place.
- It is recommended to wear a P2 filter-class respirator.

Observe the relevant regulations in your country for the materials to be worked.

- ▶ **Avoid dust accumulation at the workplace.** Dust can easily ignite.

Operation

Starting Operation

Inserting the battery

Note: The use of batteries unsuitable for your power tool can lead to malfunctions or damage to the power tool.

Push the charged battery (6) into the base of the power tool from the front until the battery is securely locked.

Setting the rotational direction (see figure B)

- ▶ **Only operate the rotational direction switch (9) when the power tool is not in use.**

The rotational direction switch (9) is used to change the rotational direction of the power tool. However, this is not possible while the on/off switch (10) is being pressed.

Right rotation: To drill and to drive in screws, press the rotational direction switch (9) through to the left stop.

Left Rotation: To loosen and unscrew screws and nuts, press the rotational direction switch (9) through to the right stop.

Setting the operating mode



Drilling

Set the operating mode presetting ring (4) to the "drilling" symbol to achieve the maximum torque for drilling and screwdriving.



Screwdriving

Set the operating mode presetting ring (4) to the "screwdriving" symbol.

Set the torque presetting ring (3) to the required torque.



Impact drilling

Set the operating mode presetting ring (4) to the "impact drilling" symbol.

Switching on/off

To **start** the power tool, press and hold the on/off switch (10).

The LED (8) lights up when the on/off switch (10) is lightly or fully pressed, meaning that the work area is illuminated in poor lighting conditions.

To **switch off** the power tool, release the on/off switch **(10)**.

LED worklight with status indicator



The LED worklight **(8)** is used as a status indicator for device protection and low battery status:

LED Feedback	Description
Flashing light 3x during operation	Battery status is low. The voltage level of the battery has fallen below the optimum value. The performance of the device is restricted.
Flashing light 3x during downtime	Device protection is active. Device protection has been activated to prevent the battery from consuming a large amount of power and to protect the device against damage.

- If the battery status is low, charge the battery **(6)** or replace the weak battery with a fully charged battery.

Adjusting the speed

You can adjust the speed of the power tool when it is on by pressing in the on/off switch **(10)** to varying extents.

A light pressure on the on/off switch **(10)** results in a low rotational speed. Increased pressure on the switch causes an increase in speed.

Preselecting torque (applies to screwdriving mode)

The torque presetting ring **(3)** can be used to pre-select the required torque in 20 stages. Once the set torque has been reached, the tool will stop delivering power to the application.

Mechanical gear selection

- ▶ **Only operate the gear selector (5) when the power tool is not in use.**

First gear:

Low speed range; for working with a large drilling diameter or for screwdriving.

Second gear:

High speed range; for working with a small drilling diameter.

- ▶ **Always push the gear selector switch as far as it will go.** Otherwise, the power tool may become damaged.

Temperature-dependent overload protection

In normal conditions of use, the power tool cannot be overloaded. If the power tool is overloaded or the battery temperature is not kept within the permitted range, the power tool switches off and the LED on the power tool flashes. Allow the power tool to cool down before you carry on working.

Fully automatic spindle lock (Auto-Lock)

The drill spindle, and therefore the tool holder **(1)**, are locked when the on/off switch **(10)** is not pressed.

This enables screws to be screwed in even when the battery **(6)** is empty and allows the power tool to be used as a screwdriver.

Practical advice

- ▶ **Only apply the power tool to the screw when the tool is switched off.** Rotating application tools can slip off.

Before screwing larger, longer screws into hard materials, it is advisable to pre-drill a pilot hole with the core diameter of the thread to approx. 2/3 of the screw length.

An auxiliary tool can be used to remove the screwdriver bit or universal bit holder.

Maintenance and Service

Maintenance and Cleaning

- ▶ **Before carrying out any work on the power tool (e.g. maintenance, tool change etc.), remove the battery from the power tool.** There is risk of injury from unintentionally pressing the on/off switch.
- ▶ **To ensure safe and efficient operation, always keep the power tool and the ventilation slots clean.**

After-Sales Service and Application Service

Our after-sales service responds to your questions concerning maintenance and repair of your product as well as spare parts. You can find explosion drawings and information on spare parts at: www.bosch-pt.com

The Bosch product use advice team will be happy to help you with any questions about our products and their accessories.

In all correspondence and spare parts orders, please always include the 10-digit article number given on the nameplate of the product.

Great Britain

Robert Bosch Ltd. (B.S.C.)

P.O. Box 98

Broadwater Park

North Orbital Road

Denham Uxbridge

UB 9 5HJ

At www.bosch-pt.co.uk you can order spare parts or arrange the collection of a product in need of servicing or repair.

Tel. Service: (0344) 7360109

E-Mail: boschservicecentre@bosch.com

You can find further service addresses at:

www.bosch-pt.com/serviceaddresses

Transport

The recommended lithium-ion batteries are subject to legislation on the transport of dangerous goods. The user can transport the batteries by road without further requirements.

When the batteries are shipped by third parties (e.g. air transport or forwarding agency), special requirements on packaging and labelling (e.g. ADR regulations) must be met. A dangerous goods expert must be consulted when preparing the items for shipping.

Dispatch battery packs only when the housing is undamaged. Tape or mask off open contacts and pack up the battery in such a manner that it cannot move around in the packaging. Please also observe the possibility of more detailed national regulations.

Disposal



Power tools, rechargeable batteries, accessories and packaging should be sorted for environmental-friendly recycling.



Do not dispose of power tools and batteries/rechargeable batteries into household waste!

Only for EU countries:

Power tools that are no longer suitable for use and defective or used batteries must be disposed of separately. Use the designated collection systems.

If disposed incorrectly, waste electrical and electronic equipment may have harmful effects on the environment and human health, due to the potential presence of hazardous substances.

Only for United Kingdom:

According to The Waste Electrical and Electronic Equipment Regulations 2013 (SI 2013/3113) (as amended) and the Waste Batteries and Accumulators Regulations 2009 (SI 2009/890) (as amended), products that are no longer usable must be collected separately and disposed of in an environmentally friendly manner.

Battery packs/batteries:

Li-ion:

Please observe the notes in the section on transport (see "Transport", page 9).

Français

Consignes de sécurité

Avertissements de sécurité généraux pour l'outil électrique

AVERTISSEMENT

Lire tous les avertissements de sécurité, les instructions, les illustrations et les spécifications fournis avec cet outil électrique.

Ne pas suivre les instructions énumérées ci-dessous peut provoquer un choc électrique, un incendie et/ou une blessure sérieuse.

Conservation tous les avertissements et toutes les instructions pour pouvoir s'y reporter ultérieurement.

Le terme "outil électrique" dans les avertissements fait référence à votre outil électrique alimenté par le secteur (avec

cordon d'alimentation) ou votre outil électrique fonctionnant sur batterie (sans cordon d'alimentation).

Sécurité de la zone de travail

► Conserver la zone de travail propre et bien éclairée.

Les zones en désordre ou sombres sont propices aux accidents.

► Ne pas faire fonctionner les outils électriques en atmosphère explosive, par exemple en présence de liquides inflammables, de gaz ou de poussières.

Les outils électriques produisent des étincelles qui peuvent enflammer les poussières ou les fumées.

► Maintenir les enfants et les personnes présentes à l'écart pendant l'utilisation de l'outil électrique.

Les distractions peuvent vous faire perdre le contrôle de l'outil.

Sécurité électrique

► Il faut que les fiches de l'outil électrique soient adaptées au socle. Ne jamais modifier la fiche de quelque façon que ce soit. Ne pas utiliser d'adaptateurs avec des outils électriques à branchement de terre.

Des fiches non modifiées et des socles adaptés réduisent le risque de choc électrique.

► Éviter tout contact du corps avec des surfaces reliées à la terre telles que les tuyaux, les radiateurs, les cuisinières et les réfrigérateurs.

Il existe un risque accru de choc électrique si votre corps est relié à la terre.

► Ne pas exposer les outils électriques à la pluie ou à des conditions humides.

La pénétration d'eau à l'intérieur d'un outil électrique augmente le risque de choc électrique.

► Ne pas maltraiter le cordon. Ne jamais utiliser le cordon pour porter, tirer ou débrancher l'outil électrique. Maintenir le cordon à l'écart de la chaleur, du lubrifiant, des arêtes vives ou des parties en mouvement.

Des cordons endommagés ou emmêlés augmentent le risque de choc électrique.

► Lorsqu'on utilise un outil électrique à l'extérieur, utiliser un prolongateur adapté à l'utilisation extérieure.

L'utilisation d'un cordon adapté à l'utilisation extérieure réduit le risque de choc électrique.

► Si l'usage d'un outil électrique dans un emplacement humide est inévitable, utiliser une alimentation protégée par un dispositif à courant différentiel résiduel (RCD).

L'usage d'un RCD réduit le risque de choc électrique.

Sécurité des personnes

► Rester vigilant, regarder ce que vous êtes en train de faire et faire preuve de bon sens dans votre utilisation de l'outil électrique. Ne pas utiliser un outil électrique lorsque vous êtes fatigué ou sous l'emprise de drogues, de l'alcool ou de médicaments.

Un moment d'inattention en cours d'utilisation d'un outil électrique peut entraîner des blessures graves.

► Utiliser un équipement de protection individuelle. Toujours porter une protection pour les yeux.

Les

équipements de protection individuelle tels que les masques contre les poussières, les chaussures de sécurité antidérapantes, les casques ou les protections auditives utilisés pour les conditions appropriées réduisent les blessures.

- ▶ **Éviter tout démarrage intempestif. S'assurer que l'interrupteur est en position arrêt avant de brancher l'outil au secteur et/ou au bloc de batteries, de le ramasser ou de le porter.** Porter les outils électriques en ayant le doigt sur l'interrupteur ou brancher des outils électriques dont l'interrupteur est en position marche est source d'accidents.
- ▶ **Retirer toute clé de réglage avant de mettre l'outil électrique en marche.** Une clé laissée fixée sur une partie tournante de l'outil électrique peut donner lieu à des blessures.
- ▶ **Ne pas se précipiter. Garder une position et un équilibre adaptés à tout moment.** Cela permet un meilleur contrôle de l'outil électrique dans des situations inattendues.
- ▶ **S'habiller de manière adaptée. Ne pas porter de vêtements amples ou de bijoux. Garder les cheveux et les vêtements à distance des parties en mouvement.** Des vêtements amples, des bijoux ou les cheveux longs peuvent être pris dans des parties en mouvement.
- ▶ **Si des dispositifs sont fournis pour le raccordement d'équipements pour l'extraction et la récupération des poussières, s'assurer qu'ils sont connectés et correctement utilisés.** Utiliser des collecteurs de poussière peut réduire les risques dus aux poussières.
- ▶ **Rester vigilant et ne pas négliger les principes de sécurité de l'outil sous prétexte que vous avez l'habitude de l'utiliser.** Une fraction de seconde d'inattention peut provoquer une blessure grave.

Utilisation et entretien de l'outil électrique

- ▶ **Ne pas forcer l'outil électrique. Utiliser l'outil électrique adapté à votre application.** L'outil électrique adapté réalise mieux le travail et de manière plus sûre au régime pour lequel il a été construit.
- ▶ **Ne pas utiliser l'outil électrique si l'interrupteur ne permet pas de passer de l'état de marche à arrêt et inversement.** Tout outil électrique qui ne peut pas être commandé par l'interrupteur est dangereux et il faut le réparer.
- ▶ **Débrancher la fiche de la source d'alimentation et/ou enlever le bloc de batteries, s'il est amovible, avant tout réglage, changement d'accessoires ou avant de ranger l'outil électrique.** De telles mesures de sécurité préventives réduisent le risque de démarrage accidentel de l'outil électrique.
- ▶ **Conservé les outils électriques à l'arrêt hors de la portée des enfants et ne pas permettre à des personnes ne connaissant pas l'outil électrique ou les présentes instructions de le faire fonctionner.** Les outils électriques sont dangereux entre les mains d'utilisateurs novices.

- ▶ **Observer la maintenance des outils électriques et des accessoires. Vérifier qu'il n'y a pas de mauvais alignement ou de blocage des parties mobiles, des pièces cassées ou toute autre condition pouvant affecter le fonctionnement de l'outil électrique. En cas de dommages, faire réparer l'outil électrique avant de l'utiliser.** De nombreux accidents sont dus à des outils électriques mal entretenus.
- ▶ **Garder affûtés et propres les outils permettant de couper.** Des outils destinés à couper correctement entretenus avec des pièces coupantes tranchantes sont moins susceptibles de bloquer et sont plus faciles à contrôler.
- ▶ **Utiliser l'outil électrique, les accessoires et les lames etc., conformément à ces instructions, en tenant compte des conditions de travail et du travail à réaliser.** L'utilisation de l'outil électrique pour des opérations différentes de celles prévues peut donner lieu à des situations dangereuses.
- ▶ **Il faut que les poignées et les surfaces de préhension restent sèches, propres et dépourvues d'huiles et de graisses.** Des poignées et des surfaces de préhension glissantes rendent impossibles la manipulation et le contrôle en toute sécurité de l'outil dans les situations inattendues.

Utilisation des outils fonctionnant sur batteries et précautions d'emploi

- ▶ **Ne recharger qu'avec le chargeur spécifié par le fabricant.** Un chargeur qui est adapté à un type de bloc de batteries peut créer un risque de feu lorsqu'il est utilisé avec un autre type de bloc de batteries.
- ▶ **N'utiliser les outils électriques qu'avec des blocs de batteries spécifiquement désignés.** L'utilisation de tout autre bloc de batteries peut créer un risque de blessure et de feu.
- ▶ **Lorsqu'un bloc de batteries n'est pas utilisé, le maintenir à l'écart de tout autre objet métallique, par exemple trombones, pièces de monnaie, clés, clous, vis ou autres objets de petite taille qui peuvent donner lieu à une connexion d'une borne à une autre.** Le court-circuitage des bornes d'une batterie entre elles peut causer des brûlures ou un feu.
- ▶ **Dans de mauvaises conditions, du liquide peut être éjecté de la batterie; éviter tout contact. En cas de contact accidentel, nettoyer à l'eau. Si le liquide entre en contact avec les yeux, rechercher en plus une aide médicale.** Le liquide éjecté des batteries peut causer des irritations ou des brûlures.
- ▶ **Ne pas utiliser un bloc de batteries ou un outil fonctionnant sur batteries qui a été endommagé ou modifié.** Les batteries endommagées ou modifiées peuvent avoir un comportement imprévisible provoquant un feu, une explosion ou un risque de blessure.
- ▶ **Ne pas exposer un bloc de batteries ou un outil fonctionnant sur batteries au feu ou à une température ex-**

cessive. Une exposition au feu ou à une température supérieure à 130 °C peut provoquer une explosion.

- ▶ **Suivre toutes les instructions de charge et ne pas charger le bloc de batteries ou l'outil fonctionnant sur batteries hors de la plage de températures spécifiée dans les instructions.** Un chargement incorrect ou à des températures hors de la plage spécifiée de températures peut endommager la batterie et augmenter le risque de feu.

Maintenance et entretien

- ▶ **Faire entretenir l'outil électrique par un réparateur qualifié utilisant uniquement des pièces de rechange identiques.** Cela assure le maintien de la sécurité de l'outil électrique.
- ▶ **Ne jamais effectuer d'opération d'entretien sur des blocs de batteries endommagés.** Il convient que l'entretien des blocs de batteries ne soit effectué que par le fabricant ou les fournisseurs de service autorisés.

Avertissements de sécurité pour la perceuse

Instructions de sécurité pour toutes les opérations

- ▶ **Porter des protecteurs d'oreille lors de l'utilisation de la perceuse à percussion.** Porter des protecteurs d'oreille lors de l'utilisation de la perceuse à percussion.
- ▶ **Tenir l'outil électrique par les surfaces de préhension isolées, au cours des opérations pendant lesquelles l'accessoire de coupe ou les fixations peut être en contact avec un câblage caché.** Un accessoire de coupe ou les fixations en contact avec un fil "sous tension" peut "mettre sous tension" les parties métalliques exposées de l'outil électrique et provoquer un choc électrique chez l'opérateur.

Instructions de sécurité pour l'utilisation de forets longs

- ▶ **Ne jamais utiliser à une vitesse supérieure à la vitesse assignée maximale du foret.** À des vitesses supérieures, le foret est susceptible de se plier s'il peut tourner librement sans être en contact avec la pièce à usiner, ce qui provoque des blessures.
- ▶ **Toujours commencer à percer à faible vitesse et en mettant l'embout du foret en contact avec la pièce à usiner.** À des vitesses supérieures, le foret est susceptible de se plier s'il peut tourner librement sans être en contact avec la pièce à usiner, ce qui provoque des blessures.
- ▶ **Appliquer une pression uniquement sur le foret et ne pas appliquer de pression excessive.** Les forets peuvent se plier, ce qui peut provoquer leur casse ou une perte de contrôle, et donc des blessures.

Consignes de sécurité additionnelles

- ▶ **Arrêtez immédiatement l'outil électroportatif dès que l'accessoire se bloque. Attendez-vous à des couples de réaction importants causant des rebonds.** L'accessoire se bloque quand il reste coincé dans la pièce ou quand l'outil électroportatif est en surcharge.

- ▶ **Maintenez bien l'outil électroportatif en place.** Lors du serrage ou du desserrage des vis, des couples de réaction élevés peuvent survenir en peu de temps.
- ▶ **Bloquez la pièce à travailler.** Une pièce à travailler serrée par des dispositifs de serrage appropriés ou dans un étau est fixée de manière plus sûre que quand elle est tenue avec une main.
- ▶ **Utilisez un détecteur approprié pour vérifier s'il n'y a pas de conduites cachées ou contactez votre société de distribution d'eau locale.** Tout contact avec des câbles électriques peut provoquer un incendie ou un choc électrique. Tout endommagement d'une conduite de gaz peut provoquer une explosion. La perforation d'une conduite d'eau provoque des dégâts matériels.
- ▶ **Avant de poser l'outil électroportatif, attendez que celui-ci soit complètement à l'arrêt.** L'outil risque de se coincer, ce qui entraînerait une perte de contrôle de l'outil électroportatif.
- ▶ **Si l'accu est endommagé ou utilisé de manière non conforme, des vapeurs peuvent s'échapper. L'accu peut brûler ou exploser.** Ventilez le local et consultez un médecin en cas de malaise. Les vapeurs peuvent entraîner des irritations des voies respiratoires.
- ▶ **N'apportez aucune modification à la batterie et ne l'ouvrez pas.** Risque de court-circuit.
- ▶ **Les objets pointus comme un clou ou un tournevis et le fait d'exercer une force extérieure sur le boîtier risque d'endommager l'accu.** Il peut en résulter un court-circuit interne et l'accu risque de s'enflammer, de dégager des fumées, d'exploser ou de surchauffer.
- ▶ **N'utilisez l'accu que sur les produits du fabricant.** Tout risque de surcharge dangereuse sera alors exclu.



Conservez la batterie à l'abri de la chaleur, en la protégeant p. ex. de l'ensoleillement direct, du feu, de la saleté, de l'eau et de l'humidité. Il existe un risque d'explosion et de courts-circuits.

Description des prestations et du produit



Lisez attentivement toutes les instructions et consignes de sécurité. Le non-respect des instructions et consignes de sécurité peut provoquer un choc électrique, un incendie et/ou entraîner de graves blessures.

Référez-vous aux illustrations qui se trouvent à l'avant de la notice d'utilisation.

Utilisation conforme

Cet outil électroportatif est conçu pour le vissage/dévisage de vis, pour le perçage sans percussion du bois, du métal, de la céramique, des plastiques et pour le perçage avec percussion dans la brique, la maçonnerie et la pierre.

Éléments constitutifs

La numérotation des éléments se réfère à la représentation de l'outil électroportatif sur la page graphique.

- (1) Porte-outil
- (2) Mandrin automatique
- (3) Bague de présélection de couple
- (4) Bague de réglage pour présélection du mode de fonctionnement
- (5) Sélecteur de vitesse
- (6) Accu^{a)}
- (7) Bouton de déverrouillage d'accu^{a)}
- (8) Éclairage de travail (LED)
- (9) Sélecteur de sens de rotation
- (10) Bouton Marche/Arrêt
- (11) Poignée (surface de préhension isolée)
- (12) Embout de vissage^{a)}
- (13) Porte-embout universel^{a)}

a) Ces accessoires ne sont pas compris dans la fourniture.

Caractéristiques techniques

Perceuse à percussion sans-fil		GSB 183-LI
Référence		3 601 JK9 1..
Tension nominale	V=	18
Régime à vide ^{A)B)}		
– 1ère vitesse	tr/min	0–440
– 2ème vitesse	tr/min	0–1 650
Couple maxi (vissage dur/tendre) ^{A)B)}	Nm	56/21
Fréquence de frappe ^{A)B)}	min ⁻¹	24 000
Ø de perçage maxi		
– Maçonnerie	mm	10
– Acier	mm	10
– Bois	mm	35
Plage de serrage du mandrin	mm	13
Ø de vissage maxi	mm	10
Poids ^{B)}	kg	1,6 (2,0 Ah) – 2,6 (12,0 Ah)
Températures ambiantes recommandées pour la charge	°C	0 ... +35
Températures ambiantes autorisées pendant l'utilisation ^{C)} et pour le stockage	°C	–20 ... +50
Batteries recommandées		GBA 18V... ProCORE18V...

Perceuse à percussion sans-fil

GSB 183-LI

Chargeurs recommandés

GAL 18...
GAX 18...
GAL 36...

A) Mesuré à 20–25 °C avec accu **GBA 18V 2.0Ah**.

B) selon l'accumulateur utilisé

C) performances réduites à des températures < 0 °C

Les valeurs peuvent varier selon le produit, les conditions d'utilisation et les conditions ambiantes. Pour plus d'informations, rendez-vous sur www.bosch-professional.com/wac.

Informations sur le niveau sonore/les vibrations

Valeurs d'émissions sonores déterminées conformément à **EN 62841-2-1**.

Le niveau sonore en dB(A) typique de l'outil électroportatif est de : niveau de pression acoustique **86 dB(A)** ; niveau de puissance acoustique **94 dB(A)**. Incertitude K = **5 dB**.

Portez un casque antibruit !

Valeurs globales de vibration a_h (somme vectorielle sur les trois axes) et incertitude K conformément à **EN 62841-2-1** :

Perçage dans le métal : $a_h = 1,0 \text{ m/s}^2$, $K = 1,5 \text{ m/s}^2$

Perçage avec percussion dans le béton : $a_h = 12,8 \text{ m/s}^2$, $K = 1,5 \text{ m/s}^2$,

Le niveau de vibration et la valeur d'émission sonore indiqués dans cette notice d'utilisation ont été mesurés selon une procédure de mesure normalisée et peuvent être utilisés pour établir une comparaison entre différents outils électroportatifs. Ils peuvent aussi servir de base à une estimation préliminaire du taux de vibration et du niveau sonore.

Le niveau de vibration et la valeur d'émission sonore indiqués s'appliquent pour les utilisations principales de l'outil électroportatif. Si l'outil électroportatif est utilisé pour d'autres applications, avec d'autres accessoires de travail ou sans avoir fait l'objet d'un entretien régulier, le niveau de vibration et la valeur d'émission sonore peuvent différer. Il peut en résulter des vibrations et un niveau sonore nettement plus élevés pendant toute la durée de travail.

Pour une estimation précise du niveau de vibration et du niveau sonore, il faut aussi prendre en considération les périodes pendant lesquelles l'outil est éteint ou bien en marche sans être vraiment en action. Il peut en résulter au final un niveau de vibration et un niveau sonore nettement plus faibles pendant toute la durée de travail.

Prévoyez des mesures de protection supplémentaires permettant de protéger l'utilisateur de l'effet des vibrations, par exemple : maintenance de l'outil électroportatif et des accessoires de travail, maintien des mains au chaud, organisation des procédures de travail.

Montage

- **Retirez systématiquement la batterie avant toute intervention sur l'outil électroportatif (maintenance, changement d'accessoire, etc.).** Il y a sinon risque de blessure si vous appuyez par mégarde sur l'interrupteur Marche/Arrêt.

Recharge de l'accu

- **N'utilisez que les chargeurs indiqués dans les Caractéristiques techniques.** Ils sont les seuls à être adaptés à l'accu Lithium-Ion de votre outil électroportatif.

Remarque : L'accu est fourni partiellement chargé. Pour obtenir les performances maximales, chargez l'accu jusqu'à sa pleine capacité avant la première utilisation.

L'accu Lithium-Ion peut être rechargé à tout moment, sans risquer de réduire sa durée de vie. Le fait d'interrompre le processus de charge n'endommage pas l'accu.

L'accu Lithium-Ion est protégé contre une décharge complète par « Electronic Cell Protection (ECP) » (l'électronique de protection des cellules). Lorsque l'accu est déchargé, l'outil électroportatif s'arrête grâce à un dispositif d'arrêt de protection : l'accessoire de travail ne tourne plus.

- **Après l'arrêt automatique de l'outil électroportatif, n'appuyez plus sur l'interrupteur Marche/Arrêt.** L'accu pourrait être endommagé.

Respectez les indications concernant l'élimination.

Retrait de l'accu

L'accu (6) dispose de deux positions de verrouillage permettant d'éviter que l'accu tombe si l'on appuie par mégarde sur la touche de déverrouillage de l'accu (7). Tant que l'accu reste en place dans l'outil électroportatif, un ressort le maintient en position.

Pour retirer l'accu (6), appuyez sur la touche de déverrouillage (7) et dégagez l'accu de l'outil électroportatif. **Ne forcez pas.**

Changement d'accessoire (voir figure A)

- **Retirez systématiquement la batterie avant toute intervention sur l'outil électroportatif (maintenance, changement d'accessoire, etc.).** Il y a sinon risque de blessure si vous appuyez par mégarde sur l'interrupteur Marche/Arrêt.

Lorsque l'interrupteur Marche/Arrêt (10) n'est pas actionné, la broche de perçage est bloquée. Cela permet de changer facilement et rapidement l'accessoire de travail qui se trouve dans le mandrin.

Ouvrez le mandrin automatique (2) en le tournant dans le sens ① jusqu'à ce que l'accessoire puisse être inséré. Insérez l'accessoire de travail.

Tournez fermement à la main la bague du mandrin automatique (2) dans le sens ②. Le mandrin se verrouille alors automatiquement.

Aspiration de poussières/de copeaux

Les poussières de matériaux tels que peintures contenant du plomb, certains bois, minéraux ou métaux, peuvent être nuisibles à la santé. Entrer en contact ou aspirer les poussières peut entraîner des réactions allergiques et/ou des maladies respiratoires auprès de l'utilisateur ou de personnes se trouvant à proximité.

Certaines poussières telles que les poussières de chêne ou de hêtre sont considérées comme cancérigènes, surtout en association avec des additifs pour le traitement du bois

(chromate, lazure). Les matériaux contenant de l'amiante ne doivent être travaillés que par des personnes qualifiées.

- Veillez à bien aérer la zone de travail.
- Il est recommandé de porter un masque respiratoire avec un niveau de filtration de classe P2.

Respectez les règlements spécifiques aux matériaux à traiter en vigueur dans votre pays.

- **Évitez toute accumulation de poussières sur le lieu de travail.** Les poussières peuvent facilement s'enflammer.

Mise en marche

Mise en marche

Montage de l'accu

Remarque : L'utilisation d'accus non conçus pour votre outil électroportatif peut entraîner des dysfonctionnements ou endommager l'outil électroportatif.

Introduisez l'accu chargé (6) par l'avant dans le pied de l'outil électroportatif jusqu'à ce qu'il soit bien verrouillé.

Sélection du sens de rotation (voir figure B)

- **N'actionnez le sélecteur de sens de rotation (9) que quand l'outil électroportatif est à l'arrêt.**

Le sélecteur de sens de rotation (9) permet d'inverser le sens de rotation de l'outil électroportatif. Cela n'est toutefois pas possible lorsqu'on appuie sur l'interrupteur Marche/Arrêt (10).

Rotation droite : Pour percer et visser, poussez le sélecteur de sens de rotation (9) à fond vers la gauche.

Rotation gauche : Pour desserrer ou dévisser des vis et des écrous, actionnez le sélecteur de sens de rotation (9) à fond vers la droite.

Sélection d'un mode de fonctionnement



Perçage

Positionnez la bague de présélection de mode de fonctionnement (4) sur le symbole « Perçage » pour disposer du couple maximal lors des perçages et des vissages.



Vissage

Positionnez la bague de présélection de mode de fonctionnement (4) sur le symbole « Vissage ».

Réglez le couple souhaité avec la bague de présélection de couple (3).



Perçage avec percussion

Positionnez la bague de présélection de mode de fonctionnement (4) sur le symbole « Perçage avec percussion ».

Mise en marche/arrêt

Pour **mettre en marche** l'outil électroportatif, actionnez l'interrupteur Marche/Arrêt (10) et maintenez-le actionné.

La LED (8) s'allume lorsque l'interrupteur Marche/Arrêt (10) est enfoncé un peu ou complètement. Elle permet d'éclairer la zone de travail dans les endroits sombres.

Pour **arrêter** l'outil électroportatif, relâchez l'interrupteur Marche/Arrêt (10).

LED d'éclairage avec affichage d'état



La LED d'éclairage (8) sert aussi d'affichage d'état pour la protection de l'outil et en cas de faible niveau d'accu :

État de la LED	Description
3 clignotements en cours d'utilisation	Faible niveau d'accu. La tension de l'accu est descendue en dessous de la valeur optimale. L'outil fonctionne à puissance réduite.
3 clignotements après un arrêt	Protection de l'outil active. La protection de l'outil a été activée pour éviter une trop forte consommation de l'accu et exclure tout endommagement de l'outil.

– Quand le niveau de charge de l'accu est faible, rechargez l'accu (6) ou remplacez-le par un accu complètement chargé.

Réglage de la vitesse de rotation

Il est possible de faire varier en continu la vitesse de rotation de l'outil électroportatif en exerçant plus ou moins de pression sur l'interrupteur Marche/Arrêt (10).

Une légère pression sur l'interrupteur Marche/Arrêt (10) produit une faible vitesse de rotation. Plus l'on exerce de pression, plus la vitesse de rotation augmente.

Présélection du couple (pour le mode vissage)

La bague de présélection de couple (3) permet de préréglager le couple dans 20 positions. Dès que le couple réglé est atteint, l'accessoire de travail s'immobilise.

Sélection mécanique de la vitesse

► **N'actionnez le sélecteur de vitesse (5) que quand l'outil électroportatif est à l'arrêt.**

Vitesse 1 :

Plage de basses vitesses ; pour diamètres de perçage importants ou pour les vissages.

Vitesse 2 :

Plage de hautes vitesses ; pour les petits diamètres de perçage.

► **Poussez le sélecteur de vitesse toujours jusqu'à la butée.** L'outil électroportatif risque sinon d'être endommagé.

Protection contre les surcharges en fonction de la température

Si l'outil électroportatif est utilisé de manière conforme, tout risque de surcharge est exclu. En cas de trop forte sollicitation de l'outil ou de surchauffe de l'accu, l'outil électroportatif s'arrête et la LED de l'outil se met à clignoter. Laissez refroidir l'outil électroportatif avant de reprendre le travail.

Blocage automatique de la broche (Auto-Lock)

Quand l'interrupteur Marche/Arrêt (10) n'est pas actionné, la broche de perçage et donc le porte-outil (1) sont bloqués. Cela permet de visser des vis même quand l'accu (6) est déchargé, autrement dit de se servir de l'outil électroportatif comme d'un tournevis à main.

Instructions d'utilisation

► **Ne positionnez l'outil électroportatif sur la vis que lorsqu'il est arrêté.** Un accessoire en rotation risque de glisser.

Avant de visser des vis de gros diamètre ou très longues dans des matériaux durs, il est recommandé d'effectuer un préperçage au diamètre intérieur de filetage sur approximativement les 2/3 de la longueur de la vis.

Pour retirer un embout de vissage ou le porte-embout universel, il est permis de s'aider d'un outil.

Entretien et Service après-vente

Nettoyage et entretien

► **Retirez systématiquement la batterie avant toute intervention sur l'outil électroportatif (maintenance, changement d'accessoire, etc.).** Il y a sinon risque de blessure si vous appuyez par mégarde sur l'interrupteur Marche/Arrêt.

► **Toujours tenir propres l'outil électroportatif ainsi que les fentes de ventilation afin d'obtenir un travail impeccable et sûr.**

Service après-vente et conseil utilisateurs

Notre Service Après-Vente répond à vos questions concernant la réparation et l'entretien de votre produit et les pièces de rechange. Des vues éclatées ainsi que des informations concernant les pièces de rechange se trouvent également sous : www.bosch-pt.com

L'équipe de conseil utilisateurs Bosch se tient à votre disposition pour répondre à vos questions concernant nos produits et leurs accessoires.

Pour toute demande de renseignement ou commande de pièces de rechange, nous préciser impérativement le numéro d'article à dix chiffres indiqué sur la plaque signalétique du produit.

France

Réparer un outil Bosch n'a jamais été aussi simple, et ce, en moins de 5 jours, grâce à SAV DIRECT, notre formulaire de retour en ligne que vous trouverez sur notre site internet www.bosch-pt.fr à la rubrique Services. Vous y trouverez également notre boutique de pièces détachées en ligne où vous pouvez passer directement vos commandes.

Vous êtes un utilisateur, contactez : Le Service Clientèle Bosch Outillage Electroportatif

Tel. : 09 70 82 12 26 (Numéro non surtaxé au prix d'un appel local)

E-Mail : sav.outillage-electroportatif@fr.bosch.com

Vous êtes un revendeur, contactez :
 Robert Bosch (France) S.A.S.
 Service Après-Vente Electroportatif
 126, rue de Stalingrad
 93705 DRANCY Cédex
 Tel. : (01) 43119006
 E-Mail : sav-bosch.outillage@fr.bosch.com

Vous trouverez d'autres adresses de service sous :

www.bosch-pt.com/serviceaddresses

Transport

Les batteries Lithium-ion recommandées sont soumises aux règlements de transport des matières dangereuses. L'utilisateur peut transporter les batteries par voie routière sans mesures supplémentaires.

Lors d'une expédition par tiers (par ex. : transport aérien ou entreprise de transport), les mesures à prendre spécifiques à l'emballage et au marquage doivent être observées. Dans un tel cas, lors de la préparation de l'envoi, il est impératif de faire appel à un expert en transport des matières dangereuses.

N'expédiez les accumulateurs que si le carter n'est pas endommagé. Recouvrez les contacts à l'air libre et emballez l'accu de manière à ce qu'il ne se déplace pas dans l'emballage. Veuillez également respecter les réglementations supplémentaires éventuellement en vigueur dans votre pays.

Élimination des déchets



Les outils électroportatifs, les accus ainsi que leurs accessoires et emballages doivent être rapportés dans un centre de recyclage respectueux de l'environnement.



Ne jetez pas les outils électroportatifs et les accus/piles avec les ordures ménagères !

Seulement pour les pays de l'UE :

Les outils électroportatifs usagés et les batteries/piles défectueuses ou usagées doivent être mis au rebut séparément. Utilisez les systèmes de collecte prévus.

S'ils ne sont pas éliminés correctement, les déchets d'équipements électriques et électroniques peuvent avoir des effets néfastes sur l'environnement et la santé humaine en raison de la présence éventuelle de substances dangereuses.

Accus/piles :

Li-Ion :

Veuillez respecter les indications se trouvant dans le chapitre Transport (voir « Transport », Page 16).

Valable uniquement pour la France :



Points de collecte sur www.quefairedemesdechets.fr

Português

Instruções de segurança

Instruções gerais de segurança para ferramentas eléctricas

⚠️ AVISO

Devem ser lidas todas as indicações de segurança,

instruções, ilustrações e especificações desta ferramenta eléctrica. O desrespeito das instruções apresentadas abaixo poderá resultar em choque eléctrico, incêndio e/ou ferimentos graves.

Guarde bem todas as advertências e instruções para futura referência.

O termo "ferramenta eléctrica" utilizado a seguir nas indicações de advertência, refere-se a ferramentas eléctricas operadas com corrente de rede (com cabo de rede) e a ferramentas eléctricas operadas com acumulador (sem cabo de rede).

Segurança da área de trabalho

- ▶ **Mantenha a sua área de trabalho sempre limpa e bem iluminada.** Desordem ou áreas de trabalho insuficientemente iluminadas podem levar a acidentes.
- ▶ **Não trabalhar com a ferramenta eléctrica em áreas com risco de explosão, nas quais se encontrem líquidos, gases ou pós inflamáveis.** Ferramentas eléctricas produzem faíscas, que podem inflamar pós ou vapores.
- ▶ **Manter crianças e outras pessoas afastadas da ferramenta eléctrica durante a utilização.** No caso de distração é possível que perca o controlo sobre o aparelho.

Segurança eléctrica

- ▶ **A ficha de conexão da ferramenta eléctrica deve caber na tomada. A ficha não deve ser modificada de maneira alguma. Não utilizar uma ficha de adaptação junto com ferramentas eléctricas protegidas por ligação à terra.** Fichas não modificadas e tomadas apropriadas reduzem o risco de um choque eléctrico.
- ▶ **Evitar que o corpo possa entrar em contacto com superfícies ligadas à terra, como tubos, aquecimentos, fogões e frigoríficos.** Há um risco elevado devido a choque eléctrico, se o corpo estiver ligado à terra.
- ▶ **Manter o aparelho afastado de chuva ou humidade.** A infiltração de água numa ferramenta eléctrica aumenta o risco de choque eléctrico.
- ▶ **Não deverá utilizar o cabo para outras finalidades. Nunca utilizar o cabo para transportar a ferramenta eléctrica, para pendurá-la, nem para puxar a ficha da tomada. Manter o cabo afastado do calor, do óleo, de arestas afiadas ou de peças em movimento.** Cabos danificados ou emaranhados aumentam o risco de um choque eléctrico.

- ▶ **Se trabalhar com uma ferramenta eléctrica ao ar livre, só deverá utilizar cabos de extensão apropriados para áreas exteriores.** A utilização de um cabo de extensão apropriado para áreas exteriores reduz o risco de um choque eléctrico.
- ▶ **Se não for possível evitar o funcionamento da ferramenta eléctrica em áreas húmidas, deverá ser utilizado um disjuntor de corrente de avaria.** A utilização de um disjuntor de corrente de avaria reduz o risco de um choque eléctrico.

Segurança de pessoas

- ▶ **Esteja atento, observe o que está a fazer e tenha prudência ao trabalhar com a ferramenta eléctrica. Não utilizar uma ferramenta eléctrica quando estiver fatigado ou sob a influência de drogas, álcool ou medicamentos.** Um momento de descuido ao utilizar a ferramenta eléctrica, pode levar a lesões graves.
- ▶ **Utilizar equipamento de protecção individual. Utilizar sempre óculos de protecção.** A utilização de equipamento de protecção pessoal, como máscara de protecção contra pó, sapatos de segurança antiderrapantes, capacete de segurança ou protecção auricular, de acordo com o tipo e aplicação da ferramenta eléctrica, reduz o risco de lesões.
- ▶ **Evitar uma colocação em funcionamento involuntária. Assegure-se de que a ferramenta eléctrica esteja desligada, antes de conectá-la à alimentação de rede e/ou ao acumulador, antes de levantá-la ou de transportá-la.** Se tiver o dedo no interruptor ao transportar a ferramenta eléctrica ou se o aparelho for conectado à alimentação de rede enquanto estiver ligado, poderão ocorrer acidentes.
- ▶ **Remover ferramentas de ajuste ou chaves de boca antes de ligar a ferramenta eléctrica.** Uma ferramenta ou chave que se encontre numa parte do aparelho em movimento pode levar a lesões.
- ▶ **Evite uma posição anormal. Mantenha uma posição firme e mantenha sempre o equilíbrio.** Desta forma é mais fácil controlar a ferramenta eléctrica em situações inesperadas.
- ▶ **Usar roupa apropriada. Não usar roupa larga nem jóias. Mantenha os cabelos e roupas afastados de peças em movimento.** Roupas frouxas, cabelos longos ou jóias podem ser agarrados por peças em movimento.
- ▶ **Se for possível montar dispositivos de aspiração ou de recolha, assegure-se de que estejam conectados e utilizados correctamente.** A utilização de uma aspiração de pó pode reduzir o perigo devido ao pó.
- ▶ **Não deixe que a familiaridade resultante de uma utilização frequente de ferramentas permita que você se torne complacente e ignore os princípios de segurança da ferramenta.** Uma acção descuidada pode causar ferimentos graves numa fracção de segundo.

Utilização e manuseio cuidadoso de ferramentas eléctricas

- ▶ **Não sobrecarregue a ferramenta eléctrica. Utilize a ferramenta eléctrica apropriada para o seu trabalho.** É melhor e mais seguro trabalhar com a ferramenta eléctrica apropriada na área de potência indicada.
 - ▶ **Não utilizar uma ferramenta eléctrica com um interruptor defeituoso.** Uma ferramenta eléctrica que não pode mais ser ligada nem desligada, é perigosa e deve ser reparada.
 - ▶ **Puxar a ficha da tomada e/ou remover o acumulador, se amovível, antes de executar ajustes na ferramenta eléctrica, de substituir acessórios ou de guardar as ferramentas eléctricas.** Esta medida de segurança evita o arranque involuntário da ferramenta eléctrica.
 - ▶ **Guardar ferramentas eléctricas não utilizadas fora do alcance de crianças e não permitir que as pessoas que não estejam familiarizadas com o aparelho ou que não tenham lido estas instruções utilizem o aparelho.** Ferramentas eléctricas são perigosas se forem utilizadas por pessoas inexperientes.
 - ▶ **Tratar a ferramenta eléctrica e os acessórios com cuidado. Controlar se as partes móveis do aparelho funcionam perfeitamente e não emperram, e se há peças quebradas ou danificadas que possam prejudicar o funcionamento da ferramenta eléctrica. Permitir que peças danificadas sejam reparadas antes da utilização.** Muitos acidentes têm como causa, a manutenção insuficiente de ferramentas eléctricas.
 - ▶ **Manter as ferramentas de corte afiadas e limpas.** Ferramentas de corte cuidadosamente tratadas e com cantos de corte afiados emperram com menos frequência e podem ser conduzidas com maior facilidade.
 - ▶ **Utilizar a ferramenta eléctrica, acessórios, ferramentas de aplicação, etc. conforme estas instruções. Considerar as condições de trabalho e a tarefa a ser executada.** A utilização de ferramentas eléctricas para outras tarefas a não ser as aplicações previstas, pode levar a situações perigosas.
 - ▶ **Mantenha os punhos e as superfícies de agarrar secas, limpas e livres de óleo e massa consistente.** Punhos e superfícies de agarrar escorregadias não permitem o manuseio e controle seguros da ferramenta em situações inesperadas.
- #### Manuseio e utilização cuidadosos de ferramentas com acumuladores
- ▶ **Só carregar acumuladores em carregadores recomendados pelo fabricante.** Há perigo de incêndio se um carregador apropriado para um certo tipo de acumuladores for utilizado para carregar acumuladores de outros tipos.
 - ▶ **Só utilizar ferramentas eléctricas com os acumuladores apropriados.** A utilização de outros acumuladores pode levar a lesões e perigo de incêndio.
 - ▶ **Manter o acumulador que não está sendo utilizado afastado de cliques, moedas, chaves, parafusos ou**

outros pequenos objectos metálicos que possam causar um curto-circuito dos contactos. Um curto-circuito entre os contactos do acumulador pode ter como consequência queimaduras ou fogo.

- ▶ **No caso de aplicação incorrecta pode vaziar líquido do acumulador. Evitar o contacto. No caso de um contacto accidental, deverá enxaguar com água. Se o líquido entrar em contacto com os olhos, também deverá consultar um médico.** Líquido que escapa do acumulador pode levar a irritações da pele ou a queimaduras.
- ▶ **Não use um acumulador ou uma ferramenta danificada ou modificada.** Os acumuladores danificados ou modificados exibem um comportamento imprevisível podendo causar incêndio, explosão ou risco de lesão.
- ▶ **Não exponha o acumulador ou a ferramenta ao fogo ou temperatura excessiva.** A exposição ao fogo ou a temperaturas acima de 130 °C pode causar explosão.
- ▶ **Siga todas as instruções de carregamento e não carregue o acumulador ou a ferramenta fora da faixa de temperatura especificada no manual de instruções.** Carregar indevidamente ou em temperaturas fora da faixa especificada pode danificar o acumulador e aumentar o risco de incêndio.

Serviço

- ▶ **Só permita que o seu aparelho seja reparado por pessoal especializado e qualificado e só com peças de reposição originais.** Desta forma é assegurado o funcionamento seguro do aparelho.
- ▶ **Nunca tente reparar acumuladores danificados.** A reparação de acumuladores deve ser realizada apenas pelo fabricante ou agentes de assistência autorizados.

Indicações de segurança para berbequins

Instruções de segurança para todas as operações

- ▶ **Use protetores auditivos ao perfurar com impacto.** A exposição ao ruído pode provocar a perda da audição.
- ▶ **Segure a ferramenta elétrica nas superfícies de agarrar isoladas, ao executar uma operação onde o acessório de corte ou elemento de fixação possam entrar em contacto com cabos escondidos.** Se o acessório de corte ou os elementos de fixação entrarem em contacto com um cabo "sob tensão", as partes metálicas expostas da ferramenta elétrica ficam "sob tensão" e podem produzir um choque elétrico.

Instruções de segurança ao usar brocas longas

- ▶ **Nunca opere a uma velocidade maior do que a velocidade máxima da broca.** A velocidades mais altas, a broca pode dobrar-se ao rodar livremente sem entrar em contacto com a peça de trabalho, causando ferimento pessoal.
- ▶ **Comece sempre a perfurar a baixa velocidade e com a ponta da broca em contato com a peça de trabalho.** A velocidades mais altas, a broca pode dobrar-se ao rodar livremente sem entrar em contato com a peça de trabalho, causando ferimento pessoal.

- ▶ **Aplique pressão apenas em linha direta com a broca e não aplique pressão excessiva.** As brocas podem dobrar-se, causando rutura ou perda de controlo, ou mesmo ferimento pessoal.

Instruções de segurança adicionais

- ▶ **Desligue a ferramenta de imediato se a ferramenta de trabalho encravar. Esteja atento aos binários de reação que podem dar origem a contragolpes.** O acessório acoplável fica encravado se a ferramenta elétrica for sobrecarregada ou se ficar emperrada na peça a ser trabalhada.
- ▶ **Segure bem a ferramenta elétrica.** Ao apertar e soltar parafusos podem ocorrer temporariamente elevados momentos de reação.
- ▶ **Fixar a peça a ser trabalhada.** Uma peça a ser trabalhada fixa com dispositivos de aperto ou com torno de bancada está mais firme do que segurada com a mão.
- ▶ **Utilizar detetores apropriados, para encontrar cabos escondidos, ou consulte a companhia elétrica local.** O contacto com cabos elétricos pode provocar fogo e choques elétricos. Danos em tubos de gás podem levar à explosão. A infiltração num cano de água provoca danos materiais.
- ▶ **Espere que a ferramenta elétrica pare completamente, antes de depositá-la.** A ferramenta de aplicação pode emperrar e levar à perda de controlo sobre a ferramenta elétrica.
- ▶ **Em caso de danos e de utilização incorreta da bateria, podem escapar vapores. A bateria pode incendiar-se ou explodir.** Areje o espaço e procure assistência médica no caso de apresentar queixas. É possível que os vapores irrite as vias respiratórias.
- ▶ **Não altere nem abra o acumulador.** Há perigo de haver um curto-circuito.
- ▶ **Os objetos afiados como, p. ex., pregos ou chaves de fendas, assim como o efeito de forças externas podem danificar o acumulador.** Podem causar um curto-circuito interno e o acumulador pode ficar queimado, deitar fumo, explodir ou sobreaquecer.
- ▶ **Utilize a bateria apenas em produtos do fabricante.** Só assim é que a bateria é protegida contra sobrecarga perigosa.



Proteger a bateria contra calor, p. ex. também contra uma permanente radiação solar, fogo, sujidade, água e humidade. Há risco de explosão ou de um curto-circuito.

Descrição do produto e do serviço



Leia todas as instruções de segurança e instruções. A inobservância das instruções de segurança e das instruções pode causar choque elétrico, incêndio e/ou ferimentos graves.

Respeite as figuras na parte da frente do manual de instruções.

Utilização adequada

A ferramenta elétrica é adequada para enroscar e soltar parafusos, assim como furar em madeira, metal, cerâmica e plástico e para furar com percussão em tijolo, alvenaria e pedra.

Componentes ilustrados

A numeração dos componentes ilustrados refere-se à apresentação da ferramenta elétrica na página de esquemas.

- (1) Encabadouro da ferramenta
- (2) Bucha de aperto rápido
- (3) Anel de ajuste da pré-seleção do binário
- (4) Anel de ajuste para pré-ajuste do tipo de funcionamento
- (5) Seletor de velocidade
- (6) Bateria^{a)}
- (7) Tecla de desbloqueio da bateria^{a)}
- (8) Luz de trabalho (LED)
- (9) Computador do sentido de rotação
- (10) Interruptor de ligar/desligar
- (11) Punho (superfície do punho isolada)
- (12) Ponta de aparafusar^{a)}
- (13) Porta-bits universal^{a)}

a) **Este acessório não pertence ao volume de fornecimento.**

Dados técnicos

Berbequim de percussão sem fio		GSB 183-LI
Número de produto		3 601 JK9 1..
Tensão nominal	V=	18
Número de rotações em vazio ^{A)B)}		
– 1.ª velocidade	r.p.m.	0–440
– 2.ª velocidade	r.p.m.	0–1650
Máx. binário de aparafusamento duro/macio ^{A)B)}	Nm	56/21
N.º de impactos ^{A)B)}	i.p.m.	24000
Ø máx. de perfuração		
– Alvenaria	mm	10
– Aço	mm	10
– Madeira	mm	35
Faixa de aperto da bucha	mm	13
Ø máximo do parafuso	mm	10
Peso ^{B)}	kg	1,6 (2,0 Ah)– 2,6 (12,0 Ah)
Temperatura ambiente recomendada durante o carregamento	°C	0 ... +35

Berbequim de percussão sem fio		GSB 183-LI
Temperatura ambiente admissível em funcionamento ^{C)} e durante o armazenamento	°C	–20 ... +50
Baterias recomendadas		GBA 18V... ProCORE18V...
Carregadores recomendados		GAL 18... GAX 18... GAL 36...

A) Medido a 20–25 °C com bateria **GBA 18V 2.0Ah**.

B) dependendo da bateria utilizada

C) potência limitada perante temperaturas < 0 °C

Os valores podem variar em função do produto e estar sujeitos a condições de aplicação e do meio ambiente. Para mais informações consulte www.bosch-professional.com/wac.

Informação sobre ruídos/vibrações

Os valores de emissão de ruído foram determinados de acordo com **EN 62841-2-1**.

O nível sonoro avaliado como A da ferramenta elétrica é normalmente de: nível de pressão sonora **86 dB(A)**; nível de potência sonora **94 dB(A)**. Incerteza K = **5 dB**.

Utilizar proteção auditiva!

Valores totais de vibração a_h (soma dos vetores das três direções) e incerteza K determinada segundo **EN 62841-2-1**:

Furar metal: $a_h = 1,0 \text{ m/s}^2$, K = **1,5** m/s^2

Furar com percussão em betão: $a_h = 12,8 \text{ m/s}^2$, K = **1,5** m/s^2 ,

O nível de vibrações indicado nestas instruções e o valor de emissões sonoras foram medidos de acordo com um processo de medição normalizado e podem ser utilizados para a comparação de ferramentas elétricas. Também são adequados para uma avaliação provisória das emissões sonoras e de vibrações.

O nível de vibrações indicado e o valor de emissões sonoras representam as aplicações principais da ferramenta elétrica. Se a ferramenta elétrica for utilizada para outras aplicações, com outras ferramentas de trabalho ou com manutenção insuficiente, é possível que o nível de vibrações e de emissões sonoras seja diferente. Isto pode aumentar sensivelmente a emissão sonora e de vibrações para o período completo de trabalho.

Para uma estimativa exata da emissão sonora e de vibrações, também deveriam ser considerados os períodos nos quais o aparelho está desligado ou funciona, mas não está sendo utilizado. Isto pode reduzir a emissão sonora e de vibrações durante o completo período de trabalho.

Além disso também deverão ser estipuladas medidas de segurança para proteger o operador contra o efeito de vibrações, como por exemplo: manutenção de ferramentas elétricas e acessórios, manter as mãos quentes e organização dos processos de trabalho.

Montagem

- ▶ **Antes de qualquer trabalho na ferramenta elétrica (p. ex. manutenção, troca de ferramenta, etc.) retire a bateria da mesma.** Há perigo de ferimentos se o interruptor de ligar/desligar for acionado involuntariamente.

Carregar a bateria

- ▶ **Utilize apenas os carregadores listados nos dados técnicos.** Só estes carregadores são apropriados para as baterias de lítio utilizadas na sua ferramenta elétrica.

Nota: A bateria é fornecida parcialmente carregada. Para assegurar a completa potência da bateria, a bateria deverá ser carregada completamente no carregador antes da primeira utilização.

A bateria de lítio pode ser carregada a qualquer altura, sem que a sua vida útil seja reduzida. Uma interrupção do processo de carga não danifica a bateria.

O acumulador de iões de lítio está protegido contra descarga completa pelo sistema "Electronic Cell Protection (ECP)". A ferramenta elétrica é desligada através de um disjuntor de proteção, logo que o acumulador estiver descarregado. A ferramenta de trabalho não se movimenta mais.

- ▶ **Não continuar a premir o interruptor de ligar/desligar após o desligamento automático da ferramenta elétrica.** A bateria pode ser danificada.

Observe as indicações sobre a eliminação de forma ecológica.

Retirar a bateria

A bateria (6) possui dois níveis de travamento, que devem evitar, que a bateria caia, caso a tecla de desbloqueio (7) seja premida por acaso. Enquanto a bateria estiver dentro da ferramenta elétrica, ela é mantida em posição por uma mola.

Para retirar a bateria (6) pressione a tecla de desbloqueio (7) e puxe a bateria para a retirar da ferramenta elétrica.

Não empregar força.

Troca de ferramenta (ver figura A)

- ▶ **Antes de qualquer trabalho na ferramenta elétrica (p. ex. manutenção, troca de ferramenta, etc.) retire a bateria da mesma.** Há perigo de ferimentos se o interruptor de ligar/desligar for acionado involuntariamente.

Com o interruptor de ligar/desligar não pressionado (10) é fixado o veio de perfuração. Isto possibilita uma troca rápida, confortável e fácil da ferramenta de trabalho no mandril de brocas.

Abra a bucha de aperto rápido (2) rodando no sentido ① até a ferramenta poder ser inserida. Introduzir a ferramenta.

Aperte bem à mão a bucha de aperto rápido (2) no sentido de rotação ②. A bucha fica assim automaticamente bloqueada.

Aspiração de pó/de aparas

Pós de materiais como por exemplo, tintas que contém chumbo, alguns tipos de madeira, minerais e metais, podem ser nocivos à saúde. O contacto ou a inalação dos pós pode provocar reações alérgicas e/ou doenças nas vias respiratórias do utilizador ou das pessoas que se encontrem por perto.

Certos pós, como por exemplo pó de carvalho e faia são considerados como sendo cancerígenos, especialmente quando juntos com substâncias para o tratamento de madeiras (cromato, preservadores de madeira). Material que contém asbesto só deve ser processado por pessoal especializado.

- Assegurar uma boa ventilação do local de trabalho.
- É recomendável usar uma máscara de proteção respiratória com filtro da classe P2.

Observe as diretivas para os materiais a serem processados, vigentes no seu país.

- ▶ **Evite a acumulação de pó no local de trabalho.** Pós podem entrar levemente em ignição.

Funcionamento

Colocação em funcionamento

Colocar a bateria

Nota: A utilização de baterias não indicadas para a sua ferramenta elétrica pode causar falhas de funcionamento ou danos na ferramenta elétrica.

Introduza a bateria (6) carregada pela frente, na base da ferramenta elétrica, até a bateria estar travada com firmeza.

Ajustar o sentido de rotação (ver figura B)

- ▶ **Acione o comutador do sentido de rotação (9) apenas com a ferramenta elétrica parada.**

Com o comutador de sentido de rotação (9) é possível alterar o sentido de rotação da ferramenta elétrica. Com o interruptor de ligar/desligar pressionado (10) isto não é possível.

Rotação à direita: Para furar e apertar parafusos prima o comutador do sentido de rotação (9) completamente para a esquerda.

Rotação à esquerda: para soltar ou retirar os parafusos pressione o conversor do sentido de rotação (9) para trás até ao batente.

Ajustar o modo de operação



Furar

Coloque o anel de ajuste para a pré-seleção do modo de funcionamento (4) no símbolo "Furar" para alcançar o binário máximo ao furar e aparafusar.



Aparafusar

Coloque o anel de ajuste para a pré-seleção do modo de funcionamento (4) para o símbolo "Aparafusar".

Coloque o anel de ajuste da pré-seleção do binário (3) no binário desejado.



Furar com percussão

Anel de ajuste para a pré-seleção do modo de funcionamento (4) no símbolo "Furar com percussão".

Ligar e desligar

Para a **colocação em funcionamento** da ferramenta elétrica deverá pressionar o interruptor de ligar/desligar (10) e mantenha-o pressionado.

O LED (8) acende-se com o interruptor para ligar/desligar (10) completamente ou ligeiramente premido e permite iluminar o local de trabalho em caso de condições de iluminação desfavoráveis.

Para **desligar** a ferramenta elétrica, liberte o interruptor de ligar/desligar (10).

Luz de trabalho LED com indicação de estado



A luz de trabalho LED (8) também é usada como indicação de estado para proteção da ferramenta e nível de bateria baixo:

Resposta LED	Descrição
Luz intermitente 3x durante o funcionamento	Nível de bateria baixo. A bateria desceu abaixo do valor de tensão ideal. A potência da ferramenta fica limitada.
Luz intermitente 3x após paragem	Proteção da ferramenta ativa. A proteção da ferramenta foi ativada para proteger a bateria de um elevado consumo de corrente e a ferramenta contra danos.

– Se o nível de bateria for baixo, carregue a bateria (6) ou substitua a bateria fraca por uma totalmente carregada.

Ajustar o número de rotações

Pode regular a velocidade da ferramenta elétrica ligada de forma contínua, consoante a pressão que faz no interruptor de ligar/desligar (10).

Uma leve pressão sobre o interruptor de ligar/desligar (10) proporciona um número de rotações baixo. Aumentando a pressão, é aumentado o n.º de rotações.

Pré-selecionar o binário (válido para modo de operação aparafusar)

Com o anel de ajuste da pré-seleção do binário (3) pode pré-selecionar o binário necessário em 20 níveis. Assim que o binário ajustado seja alcançado, a ferramenta elétrica é parada.

Regulação mecânica da velocidade

► **Acione o seletor de velocidade (5) apenas com a ferramenta elétrica parada.**

1.ª velocidade:

Baixa gama de número de rotações; para trabalhar com grandes diâmetros de perfuração ou para aparafusar.

2.ª velocidade:

Alta gama de número de rotações; para trabalhar com pequeno diâmetro de perfuração.

► **Sempre empurrar o seletor de velocidade até o fim.**

Caso contrário é possível que a ferramenta elétrica seja danificada.

Indicador da proteção contra sobrecarga

Numa utilização correta, a ferramenta elétrica não pode ser sobrecarregada. Em caso de sobrecarga ou saída da faixa de temperatura permitida para a bateria, a ferramenta elétrica desliga-se e o LED na ferramenta elétrica pisca. Deixe a ferramenta elétrica arrefecer antes de continuar a trabalhar.

Bloqueio automático do veio (Auto-Lock)

Com o interruptor de ligar/desligar (10) não pressionado é fixado o veio de perfuração e, conseqüentemente, o encabouro (1).

Isso permite enroscar parafusos mesmo com a bateria (6) descarregada ou rodar a ferramenta elétrica como chave de parafusos.

Instruções de trabalho

► **Só coloque a ferramenta elétrica no parafuso quando esta está desligada.** As ferramentas de trabalho em rotação podem escorregar.

Antes de atarraxar parafusos, mais longos e maiores, em materiais duros, deveria furar com o diâmetro do núcleo da rosca até aproximadamente 2/3 do comprimento do parafuso.

Para retirar a ponta de aparafusar ou porta-bits universal, não pode ser usada uma ferramenta auxiliar.

Manutenção e assistência técnica

Manutenção e limpeza

► **Antes de qualquer trabalho na ferramenta elétrica (p. ex. manutenção, troca de ferramenta, etc.) retire a bateria da mesma.** Há perigo de ferimentos se o interruptor de ligar/desligar for acionado involuntariamente.

► **Manter a ferramenta elétrica e as aberturas de ventilação sempre limpas, para trabalhar bem e de forma segura.**

Serviço pós-venda e aconselhamento

O serviço pós-venda responde às suas perguntas a respeito de serviços de reparação e de manutenção do seu produto, assim como das peças sobressalentes. Desenhos explodidos e informações sobre peças sobressalentes encontram-se em: www.bosch-pt.com

A nossa equipa de consultores Bosch esclarece com prazer todas as suas dúvidas a respeito dos nossos produtos e acessórios.

Indique para todas as questões e encomendas de peças sobressalentes a referência de 10 dígitos de acordo com a placa de características do produto.

Brasil

Robert Bosch Ltda. – Divisão de Ferramentas Elétricas
Rodovia Anhanguera, Km 98 - Parque Via Norte
13065-900, CP 1195
Campinas, São Paulo
Tel.: 0800 7045 446
www.bosch.com.br/contato

Portugal

Robert Bosch LDA
Avenida Infante D. Henrique
Lotes 2E – 3E
1800 Lisboa
Para efetuar o seu pedido online de peças entre na página
www.ferramentasbosch.com.
Tel.: 21 8500000
Fax: 21 8511096

Outros endereços de serviço encontram-se em:

www.bosch-pt.com/serviceaddresses

Transporte

As baterias de íões de lítio recomendadas estão sujeitas às leis de materiais perigosos. As baterias podem ser transportadas na rua pelo utilizador, sem mais obrigações.

No caso de envio por terceiros (por ex.: transporte aéreo ou expedição), devem ser observadas as especiais exigências quanto à embalagem e à designação. Neste caso é necessário consultar um especialista de materiais perigosos ao preparar a peça a ser trabalhada.

Baterias só devem ser transportadas se a carcaça estiver em perfeito estado. Colar contactos abertos e embalar a bateria de modo que não possa se movimentar dentro da embalagem. Respeite também outras disposições nacionais eventualmente existentes.

Eliminação

As ferramentas elétricas, as baterias, os acessórios e as embalagens devem ser enviados a uma reciclagem ecológica de matéria prima.



Não deitar ferramentas elétricas e baterias/pilhas no lixo doméstico!

Apenas para países da UE:

As ferramentas elétricas que já não são úteis e as pilhas/baterias com defeito ou usadas têm de ser eliminadas separadamente. Utilize os sistemas de recolha previstos para o efeito.

Se descartados de forma inadequada, os resíduos de equipamentos elétricos e eletrónicos podem ter efeitos nocivos ao meio ambiente e à saúde humana devido à possível presença de substâncias perigosas.

Baterias/pilhas:

Lítio:

Observar as indicações no capítulo Transporte (ver "Transporte", Página 22).

Türkçe**Güvenlik talimatı****Elektrikli el aletleri için genel güvenlik uyarıları****⚠ UYARI**

Bu elektrikli el aletiyle birlikte gelen tüm güvenlik uyarılarını,

talimatları, resim ve açıklamaları okuyun. Aşağıda bulunan talimatlara uyulmaması halinde elektrik çarpmalarına, yangınlara ve/veya ağır yaralanmalara neden olabilir.

Bütün uyarıları ve talimat hükümlerini ileride kullanmak üzere saklayın.

Uyarı ve talimat hükümlerinde kullanılan "elektrikli el aleti" terimi, akım şebekesine bağlı (elektrikli) aletlerle akü ile çalışan aletleri (akülü) kapsamaktadır.

Çalışma yeri güvenliği

- ▶ **Çalıştığınız yeri temiz tutun ve iyi aydınlatın.** Dağınık veya karanlık alanlar kazalara davetiye çıkarır.
- ▶ **Yakınında patlayıcı maddeler, yanıcı sıvı, gaz veya tozların bulunduğu yerlerde elektrikli el aleti ile çalışmayın.** Elektrikli el aletleri, toz veya buharların tutuşmasına neden olabilecek kıvılcımlar çıkarırlar.
- ▶ **Elektrikli el aleti ile çalışırken çocukları ve etraftaki kişileri uzakta tutun.** Dikkatiniz dağılacak olursa aletin kontrolünü kaybedebilirsiniz.

Elektrik güvenliği

- ▶ **Elektrikli el aletinin fişi prize uymalıdır. Fişi hiçbir zaman değiştirmeyin. Korumalı (topraklanmış) elektrikli el aletleri ile birlikte adaptör fiş kullanmayın.** Değiştirilmemiş fiş ve uygun priz elektrik çarpması tehlikesini azaltır.
- ▶ **Borular, kalorifer petekleri, ısıtıcılar ve buzdolapları gibi topraklanmış yüzeylerle vücudunuzun temas etmesinden kaçın.** Vücudunuz topraklandığı anda büyük bir elektrik çarpması tehlikesi ortaya çıkar.
- ▶ **Elektrikli el aletlerini yağmur altında veya nemli ortamlarda bırakmayın.** Suyun elektrikli el aleti içine sızması elektrik çarpması tehlikesini artırır.
- ▶ **Kabloya zarar vermeyin. Elektrikli el aletini kablodan tutarak taşımayın, kabloyu kullanarak çekmeyin veya kablodan çekerek fişi çıkarmayın. Kabloya ateş, yanıcı ve/veya keskin ve hareket eden maddelerden uzak tutun.** Hasarlı veya dolaşmış kablo elektrik çarpması tehlikesini artırır.
- ▶ **Bir elektrikli el aleti ile açık havada çalışırken mutlaka açık havada kullanılmaya uygun uzatma kablosu kullanın.** Açık havada kullanılmaya uygun uzatma

kablosunun kullanılması elektrik çarpma tehlikesini azaltır.

- ▶ **Elektrikli el aletin nemli ortamlarda çalıştırılması şartsa mutlaka kaçak akım koruma rölesi kullanın.** Kaçak akım koruma rölesi şalterinin kullanımı elektrik çarpma tehlikesini azaltır.

Kişilerin Güvenliği

- ▶ **Dikkatli olun, ne yaptığınıza dikkat edin, elektrikli el aleti ile işinizi makul bir tempo ve yöntemle yürütün.** Yorgunsanız, kullandığınız hapların, ilaçların veya alkolün etkisinde iseniz elektrikli el aletini kullanmayın. Elektrikli el aletini kullanırken bir anki dikkatsizlik önemli yaralanmalara neden olabilir.
- ▶ **Daima kişisel koruyucu donanım kullanın. Daima koruyucu gözlük kullanın.** Elektrikli el aletin türü ve kullanımına uygun olarak; toz maskesi, kaymayan iş ayakkabıları, koruyucu kask veya koruyucu kulaklık gibi koruyucu donanım kullanımı yaralanma tehlikesini azaltır.
- ▶ **Aleti yanlışlıkla çalıştırmaktan kaçının. Güç kaynağına ve/veya aküye bağlamadan, elinize alıp taşımadan önce elektrikli el aletin kapalı olduğundan emin olun.** Elektrikli el aletini parmağınız şalter üzerinde dururken taşırsanız ve elektrikli el aleti açıkken fişi prize sokarsanız kazalara neden olabilirsiniz.
- ▶ **Elektrikli el aletini çalıştırmadan önce ayar aletlerini veya anahtarları aletten çıkarın.** Elektrikli el aletin dönen parçaları içinde bulunabilecek bir yardımcı alet yaralanmalara neden olabilir.
- ▶ **Çalışırken vücudunuz anormal durumda olmasın. Çalışırken duruşunuz güvenli olsun ve dengeyi her zaman koruyun.** Bu sayede elektrikli el aletini beklenmedik durumlarda daha iyi kontrol edebilirsiniz.
- ▶ **Uygun iş elbiseleri giyin. Geniş giysiler giymeyin ve takı takmayın. Saçlarınızı ve giysileriniz aletin hareketli parçalarından uzak tutun.** Bol giysiler, uzun saçlar veya takılar aletin hareketli parçaları tarafından tutulabilir.
- ▶ **Toz emme donanımı veya toz tutma tertibatı kullanırken, bunların bağlı olduğundan ve doğru kullanıldığından emin olun.** Toz emme donanımının kullanımı tozdan kaynaklanabilecek tehlikeleri azaltır.
- ▶ **Aletleri sık kullanmanız sebebiyle onlara alışmış olmanız, güvenlik prensiplerine uymanızı önlememelidir.** Dikkatsiz bir hareket, bir anda ciddi yaralanmalara yol açabilir.

Elektrikli el aletlerinin kullanımı ve bakımı

- ▶ **Elektrikli el aletini aşırı ölçüde zorlamayın. Yaptığınız işe uygun elektrikli el aletleri kullanın.** Uygun performanslı elektrikli el aleti ile, belirlenen çalışma alanında daha iyi ve güvenli çalışırsınız.
- ▶ **Şalteri bozuk olan elektrikli el aletini kullanmayın.** Açılıp kapanamayan bir elektrikli el aleti tehlikelidir ve onarılmalıdır.
- ▶ **Elektrikli el aletinde bir ayarlama işlemine başlamadan, herhangi bir aksesuarı değiştirirken veya**

elektrikli el aletini elinizden bırakırken fişi güç kaynağından çekin veya aküyü çıkarın. Bu önlem, elektrikli el aletinin yanlışlıkla çalışmasını önler.

- ▶ **Kullanım dışı duran elektrikli el aletlerini çocukların ulaşamayacağı bir yerde saklayın. Aleti kullanmayı bilmeyen veya bu kullanım kılavuzunu okumayan kişilerin aletle çalışmasına izin vermeyin.** Deneyimsiz kişiler tarafından kullanıldığında elektrikli el aletleri tehlikelidir.
- ▶ **Elektrikli el aletinizin ve aksesuarlarınızın bakımını özenle yapın. Elektrikli el aletinizin kusursuz olarak çalışmasını engelleyebilecek bir durumun olup olmadığını, hareketli parçaların kusursuz olarak işlev görüp görmediklerini ve sıkışıp sıkışmadıklarını, parçaların hasarlı olup olmadığını kontrol edin. Elektrikli el aletini kullanmaya başlamadan önce hasarlı parçaları onartın.** Birçok iş kazası elektrikli el aletlerine yeterli bakım yapılmamasından kaynaklanır.
- ▶ **Kesici uçları daima keskin ve temiz tutun.** Özenle bakımı yapılmış keskin kenarlı kesme uçlarının malzeme içinde sıkışma tehlikesi daha azdır ve daha rahat kullanım olanağı sağlarlar.
- ▶ **Elektrikli el aletini, aksesuarı, uçları ve benzerlerini, bu özel tip alet için öngörülen talimata göre kullanın. Bu sırada çalışma koşullarını ve yaptığınız işi dikkate alın.** Elektrikli el aletlerinin kendileri için öngörülen alanın dışında kullanılması tehlikeli durumlara neden olabilir.
- ▶ **Tutamak ve kavrama yüzeylerini kuru, yağsız ve temiz tutun.** Kaygan tutamak ve kavrama yüzeyleri, aletin beklenmeyen durumlarda güvenli şekilde tutulmasını ve kontrol edilmesini engeller.

Akülü aletlerin özenli bakımı ve kullanımı

- ▶ **Aküyü sadece üreticinin tavsiye ettiği şarj cihazı ile şarj edin.** Bir akünün şarjına uygun olarak üretilmiş şarj cihazı başka bir akünün şarjı için kullanılırsa yangın tehlikesi ortaya çıkar.
- ▶ **Sadece ilgili elektrikli el aleti için öngörülen aküleri kullanın.** Başka akülerin kullanımı yaralanmalara ve yangınlara neden olabilir.
- ▶ **Kullanılmayan aküyü büro ataçları, madeni bozuk paralar, anahtarlar, çiviler, vidalar veya metal nesnelere uzak tutun. Bunlar köprüleme yaparak kontaklara neden olabilir.** Akü kontaktları arasındaki bir kısa devre yanmalara veya yangınlara neden olabilir.
- ▶ **Yanlış kullanım durumunda aküden sıvı dışarı sızabilir. Bu sıvı ile temastan kaçının. Yanlışlıkla temas ederseniz su ile iyice yıkayın. Eğer sıvı gözlerinize gelecek olursa hemen bir hekime başvurun.** Dışarı sızan akü sıvısı cilt tahrişlerine ve yanmalara neden olabilir.
- ▶ **Hasarlı veya değiştirilmiş akü veya el aleti kullanmayın.** Hasarlı veya değiştirilmiş aküler beklenmedik davranışlara yol açarak yangın, patlama ve yaralanmalara neden olabilir.

- ▶ **Aküyü veya aleti ateşe veya yüksek sıcaklıklara maruz bırakmayın.** Ateşe veya 130 °C üstündeki sıcaklıklara maruz kalma patlamalara yol açabilir.
- ▶ **Tüm şarj talimatlarını uygulayın ve akü ya da aleti talimatlarda belirtilen sıcaklık aralığının dışında şarj etmeyin.** Hatalı şarj veya belirtilen aralık dışındaki sıcaklıklarda şarj aküye zarar vererek yangın riskini yükseltebilir.

Servis

- ▶ **Elektrikli el aletinizi sadece yetkili personele ve orijinal yedek parça kullanma koşulu ile onartın.** Bu sayede elektrikli el aletinin güvenliğini sürekli hale getirirsiniz.
- ▶ **Hasarlı akülerde onarım işlemi yapmayın.** Akülerin onarımı sadece üretici veya yetkili servisler tarafından yapılmalıdır.

Matkaplar için Güvenlik Uyarıları

Tüm işlemler için geçerli güvenlik talimatları

- ▶ **Darbeli delme yaparken kulak koruması takın.** Gürültüye maruz kalınması işitme kaybına neden olabilir.
- ▶ **Bir çalışma sırasında kesme aksesuarının veya tespit elemanlarının gizli bir kablo sistemine temas etme ihtimali varsa elektrikli el aletini izolasyonlu tutamak yüzeylerinden tutun.** Kesme aksesuarının veya tespit elemanlarının "içinden elektrik geçen" bir kabloyla temas etmesi durumunda elektrikli el aletinin metal parçaları "elektriğe" maruz kalabilir ve operatöre elektrik çarpmasına neden olabilir.

Uzun matkap uçları kullanırken geçerli güvenlik talimatları

- ▶ **Asla matkap ucunda belirlenmiş olan maksimum hız değerinden daha yüksek hızda çalışmayın.** Daha yüksek hızlarda, matkap ucunun iş parçasına temas etmeden serbestçe dönmesi, ucun eğilmesine neden olabilir ve fiziksel yaralanmalarla sonuçlanabilir.
- ▶ **Her zaman matkap ucu iş parçasına temas ederken ve düşük hızda delmeye başlayın.** Daha yüksek hızlarda, matkap ucunun iş parçasına temas etmeden serbestçe dönmesi, ucun eğilmesine neden olabilir ve fiziksel yaralanmalarla sonuçlanabilir.
- ▶ **Uçla, fazla olmamak şartıyla, sadece bir hizaya baskı uygulayın.** Uçlar eğilerek kırılmaları veya kontrol kaybına, fiziksel yaralanmalara neden olabilir.

Ek güvenlik talimatı

- ▶ **Uç bloke olursa elektrikli el aletini hemen kapatın. Geri tepme kuvveti oluşturabilecek yüksek reaksiyon momentlerine hazırlıklı olun.** Elektrikli el aleti aşırı ölçüde zorlanırsa veya uç işlenen malzeme içinde takılırsa uç bloke olur.
- ▶ **Elektrikli el aletini sıkıca tutun.** Vidalar sıkılır ve gevşetilirken kısa süreli yüksek reaksiyon momentleri ortaya çıkabilir.

- ▶ **İş parçasını emniyete alın.** Bir germe tertibatı veya mengene ile sabitlenen iş parçası elle tutmaya oranla daha güvenli tutulur.
- ▶ **Görünmeyen ikmal hatlarını belirlemek için uygun tarama cihazları kullanın veya yerel tedarik şirketi ile iletişime geçin.** Elektrik kablolarıyla temas yanıklara ve elektrik çarpmasına neden olabilir. Bir gaz borusuna hasar vermek patlamaya neden olabilir. Su borularını hasar görmesi maddi zararlara yol açabilir.
- ▶ **Elinizden bırakmadan önce elektrikli el aletinin tam olarak durmasını bekleyin.** Uç takılabilir ve elektrikli el aletinin kontrolünü kaybedebilirsiniz.
- ▶ **Akü hasar görürse veya usulüne aykırı kullanılırsa dışarı buhar sızabilir. Akü yanabilir veya patlayabilir.** Çalıştığınız yeri havalandırın ve şikayet olursa hekime başvurun. Akülerden çıkan buharlar nefes yollarını tahriş edebilir.
- ▶ **Aküyü değiştirmeyin veya açmayın.** Kısa devre tehlikesi vardır.
- ▶ **Çivi veya tornavida gibi sivri nesnelere veya dışarıdan kuvvet uygulama aküde hasara neden olabilir.** Akü içinde bir kısa devre oluşabilir ve akü yanabilir, duman çıkarabilir, patlayabilir veya aşırı ölçüde ısınabilir.
- ▶ **Aküyü yalnızca üreticinin ürünlerinde kullanın.** Ancak bu yolla akü tehlikeli zorlanmalara karşı korunur.



Aküyü sıcaktan, sürekli gelen güneş ışınından, ateşten, kirden, sudan ve nemden koruyun. Patlama ve kısa devre tehlikesi vardır.

Ürün ve performans açıklaması



Bütün güvenlik talimatını ve uyarıları okuyun. Güvenlik talimatlarına ve uyarılara uyulmadığı takdirde elektrik çarpmasına, yangına ve/veya ciddi yaralanmalara neden olunabilir.

Lütfen kullanma kılavuzunun ön kısmındaki resimlere dikkat edin.

Usulüne uygun kullanım

Bu elektrikli el aleti; vidaların takılıp sökülmesi, ahşap, metal, seramik ve plastikte delme ve tuğla, duvar ve taşa darbeli delme işleri için geliştirilmiştir.

Şekli gösterilen elemanlar

Şekli gösterilen elemanların numaraları ile grafik sayfasındaki elektrikli el aleti resmindeki numaralar aynıdır.

- (1) Uç girişi
- (2) Anahtarsız mandren
- (3) Tork ön seçimi ayar düğmesi
- (4) İşletim türü ön seçimi ayar halkası
- (5) Vites seçme şalteri
- (6) Batarya^{a)}
- (7) Akü kilit açma tuşu^{a)}

- (8) Projektör (LED)
 (9) Dönme yönü değiştirme şalteri
 (10) Açma/kapama şalteri
 (11) Tutamak (izolasyonlu tutamak yüzeyi)
 (12) Vidalama ucu^{a)}
 (13) Çok amaçlı vidalama ucu adaptörü^{a)}
 a) **Bu aksesuarlar standart teslimat kapsamına dahil değildir.**

Teknik veriler

Akülü Darbeli Matkap		GSB 183-LI
Sipariş numarası		3 601 JK9 1..
Nominal gerilim	V=	18
Boştaki devir sayısı ^{A)B)}		
- 1. vites	dev/dak	0-440
- 2. vites	dev/dak	0-1650
Sert/yumuşak vidalama maksimum torku ^{A)B)}	Nm	56/21
Darbe sayısı ^{A)B)}	darbe/dak	24000
Maks. delme çapı		
- Duvar	mm	10
- Çelik	mm	10
- Ahşap	mm	35
Mandrenin sıkma aralığı	mm	13
Maks. vidalama çapı	mm	10
Ağırlık ^{B)}	kg	1,6 (2,0 Ah) - 2,6 (12,0 Ah)
Şarj sırasında önerilen ortam sıcaklığı	°C	0 ... +35
Çalışma ^{C)} ve depolama sırasında izin verilen ortam sıcaklığı	°C	-20 ... +50
Tavsiye edilen aküler		GBA 18V... ProCORE18V...
Önerilen şarj cihazları		GAL 18... GAX 18... GAL 36...

A) 20-25 °C'de akü **GBA 18V 2.0Ah** ile ölçülmüştür.

B) Kullanılan aküye bağlı

C) < 0 °C sıcaklıklarda sınırlandırılmış performans

Değerler ürüne bağlı olarak değişebilir ve uygulama ve çevre koşullarına tabidir. Daha fazla bilgi için:
www.bosch-professional.com/wac.

Gürültü/Titreşim bilgisi

Gürültü emisyon değerleri **EN 62841-2-1** uyarınca belirlenmektedir.

Elektrikli el aletinin A ağırlıklı gürültü seviyesi tipik olarak:
 Ses basıncı seviyesi **86 dB(A)**; ses gücü seviyesi **94 dB(A)**.
 Tolerans K = **5 dB**.

Kulak koruması kullanın!

Toplam titreşim değerleri a_h (üç yönün vektör toplamı) ve tolerans K uyarınca belirlenmektedir **EN 62841-2-1**:

Metalde delme: $a_h = 1,0 \text{ m/sn}^2$, K = **1,5 m/sn²**

Betonda darbeli delme: $a_h = 12,8 \text{ m/sn}^2$, K = **1,5 m/sn²**,

Bu talimatta belirtilen titreşim seviyesi ve gürültü emisyon değeri standartlaştırılmış ölçme yöntemine göre belirlenmiştir ve elektrikli el aletlerinin birbirleri ile kıyaslanmasında kullanılabilir. Bu değerler aynı zamanda titreşim ve gürültü emisyonunun geçici olarak tahmin edilmesine de uygundur.

Belirtilen titreşim seviyesi ve gürültü emisyon değeri elektrikli el aletinin esas kullanımını temsil etmektedir. Ancak elektrikli el aleti farkı uçlar veya yetersiz bakımla kullanılacak olursa, titreşim seviyesi ve gürültü emisyonu farklılık gösterebilir. Bu da titreşim ve gürültü emisyonunu bütün kullanım süresince önemli ölçüde artırabilir.

Titreşim ve gürültü emisyonunun tam olarak tahmin edilebilmesi için, aletin kapalı olduğu veya açık fakat kullanımda olmadığı sürelerin de dikkate alınması gerekir. Bu, titreşim ve gürültü emisyonunu bütün çalışma süresinde önemli ölçüde düşürebilir.

Titreşimin kullanıcıya bindirdiği yük için önceden ek güvenlik önlemleri alın. Örneğin: Elektrikli el aletinin ve uçların bakımı, ellerin sıcak tutulması, iş aşımalarının organize edilmesi.

Montaj

- **Elektrikli el aleti üzerinde herhangi bir çalışma yapmadan önce (örn. bakım, uç değişimi vb.) aküyü elektrikli el aletinden çıkarın.** Aletin açma/kapama şalterine yanlışlıkla basıldığında yaralanmalar ortaya çıkabilir.

Akünün şarjı

- **Sadece teknik veriler bölümünde belirtilen şarj cihazlarını kullanın.** Sadece bu şarj cihazları elektrikli el aletinizde kullanılan Lityum İyon akülere uygundur.

Not: Akü kısmı şarjlı olarak teslim edilir. Aküden tam performansı elde edebilmek için ilk kullanımdan önce aküyü şarj cihazında tam olarak şarj edin.

Lityum İyon aküler kullanım ömürleri kısaltmadan istediği zaman şarj edilebilir. Şarj işleminin kesilmesi aküye zarar vermez.

Lityum İyon akü "Electronic Cell Protection (ECP)" (Elektronik Hücre Koruması) sistemi ile derin deşarja karşı korunmalıdır. Akü deşarj olduğunda elektrikli el aleti koruyucu kesme sistemi ile kapatılır. Elektrikli el aleti artık hareket etmez.

- **Elektrikli el aletinin otomatik olarak kapandığında artık açma/kapama şalterine basmayın.** Aksi takdirde akü hasar görebilir.

Tasfiye konusundaki talimat hükümlerine uyun.

Akünün çıkarılması

Akünün **(6)** iki kilitleme kademesi vardır ve bunlar akü boş alma düğmesine **(7)** yanlışlıkla basıldığında akünün aletten

çıkarak düşmesini önler. Akü elektrikli el aleti içinde bulunduğu sürece bir yay yardımıyla bu pozisyonda tutulur. Aküyü (6) çıkarmak için boş alma tuşuna (7) basın ve aküyü çekerek elektrikli el aletinden çıkarın. **Bunu yaparken güç kullanmayın.**

Uç değiştirme (bkz. Resim A)

► **Elektrikli el aleti üzerinde herhangi bir çalışma yapmadan önce (örn. bakım, uç değişimi vb.) aküyü elektrikli el aletinden çıkarın.** Aletin açma/kapama şalterine yanlışlıkla basıldığında yaralanmalar ortaya çıkabilir.

Açma/kapama şalteri (10) basılı değilken mil boynu kilitlidir. Bu, mandren ucunun hızlı, rahat ve kullanımı kolay değiştirilmesini sağlar.

Anahtarsız mandreni (2) alet yerleştirilene kadar 1 yönüne döndürün. Aleti takın.

Anahtarsız mandren kovanını (2) dönüş yönünde 2 elle kuvvetlice sıkın. Bu durumda mandren otomatik olarak kilitlenir.

Toz ve talaş emme

Kurşun içeren boyalar, bazı ahşap türleri, mineraller ve metaller gibi maddeler işlenirken ortaya çıkan toz sağlığa zararlı olabilir. Bu tozlara temas etmek veya bu tozları solumak allerjik reaksiyonlara ve/veya kullanıcının veya onun yakınındaki kişilerin nefes alma yollarındaki hastalıklara neden olabilir.

Kayın veya meşe gibi bazı ağaç tozları kanserojen etkiye sahiptir, özellikle de ahşap işleme sanayiinde kullanılan katkı maddeleri (kromat, ahşap koruyucu maddeler) ile birlikte. Asbest içeren malzemeler sadece uzmanlar tarafından işlenmelidir.

- Çalışma yerinizi iyi bir biçimde havalandırın.
- P2 filtre sınıfı filtre takılı soluk alma maskesi kullanmanızı tavsiye ederiz.

İşlenen malzemelere ait ülkenizdeki geçerli yönetmelik hükümlerine uyun.

► **Çalıştığınız yerde toz birikmemesine dikkat edin.** Tozlar kolayca alevlenebilir.

İşletim

Çalıştırma

Enerjiden tasarruf etmek için elektrikli el aletini sadece kullandığınızda açın.

Akünün yerleştirilmesi

Not: Elektrikli el aletinin uygun olmayan akülerin kullanılması hatalı işlemlere ve elektrikli el aletinin hasar görmesine neden olabilir.

Şarj edilmiş aküyü (6), akü güvenli biçimde kilitleme yapıncaya kadar yukarıdan elektrikli el aletinin ayağına itin.

Dönme yönünün ayarlanması (Bakınız: Resim B)

► **Dönme yönü değiştirme şalterini (9) sadece elektrikli el aleti dururken kullanın.**

Dönme yönü değiştirme şalteri (9) ile elektrikli el aletinin dönme yönünü değiştirebilirsiniz. Ancak açma/kapama şalteri (10) basılı durumda ise bu mümkün değildir.

Sağa dönüş: Delmek ve vidaları takmak için dönme yönü değiştirme şalterini (9) sonuna kadar sola itin.

Sola dönüş: Vidaları ve somunları gevşetmek veya sökmek için dönme yönü değiştirme şalterini (9) sonuna kadar sağa bastırın.

İşletim türünün ayarlanması



Delme

Delme ve vidalamada maksimum torka ulaşmak için çalışma modu ön seçim ayar halkasını (4) "Delme" sembolüne ayarlayın.



Vidalama

İşletim türü ön seçimi ayar düğmesini (4) "Vidalama" sembolüne ayarlayın.

Tork ön seçimi ayar düğmesini (3) istenen tork değerine ayarlayın.



Darbeli delme

İşletim türü ön seçimi ayar düğmesini (4) "Darbeli delme" sembolüne ayarlayın.

Açma/kapama

Elektrikli el aletini **çalıştırmak** için açma/kapama şalterine (10) basın ve şalteri basılı tutun.

LED (8) biraz veya tam olarak basılı açma/kapama şalterinde (10) yanar ve elverişsiz aydınlatma koşullarında çalışma alanını aydınlatır.

Elektrikli el aletini **kapatmak**, için açma/kapama şalterini (10) bırakın.

Durum göstergesi ile LED çalışma ışığı



LED çalışma ışığı (8) cihaz koruması ve düşük akü seviyesi için durum göstergesi olarak kullanılır:

LED geri bildirimi	Açıklama
Çalışma sırasında 3x yanıp sönen ışık	Düşük akü seviyesi. Akü, optimum gerilim değerlerinin altına düşmüştür. Aletin performansı kısıtlanır.
Durma sonrasında 3x yanıp sönen ışık	Cihaz koruması aktif. Aküyü yüksek akım tüketimine ve aleti hasarlara karşı korumak için cihaz koruması etkinleştirildi.

– Akü seviyesi düşükse, aküyü (6) şarj edin veya zayıf aküyü tam şarj edilmiş bir aküyle değiştirin.

Devir sayısının ayarlanması

Çalışmakta olan elektrikli el aletinin devir sayısını açma/kapama şalterine (10) bastığınız ölçüde kademesiz olarak ayarlayabilirsiniz.

Açma/kapama şalterine (10) hafifçe bastırma düşüğe devir sayısına neden olur. Batırma kuvveti artınca devir sayısı da yükselir.

Tork ön seçimi (Vidalama işletim türü için geçerlidir)

Tork ön seçimi ayar düğmesi (3) ile gerekli tork için 20 farklı kademede ön seçim yapabilirsiniz. Ayarlanan torka ulaşıldığında uç durdurulur.

Mekanik vites seçimi

► **Vites seçme şalterini (5) sadece elektrikli el aleti dururken kullanın.**

1. Vites:

Düşük devir sayısı aralığı; vidalama veya büyük delme çapları ile çalışmak için.

2. Vites:

Yüksek devir sayısı aralığı; küçük delme çapları ile çalışmak için.

► **Vites seçme şalterini her zaman dayanak noktasına kadar itin.** Aksi takdirde elektrikli el aleti hasar görebilir.

Sıcaklığa bağlı aşırı zorlanma emniyeti

Usulüne uygun olarak kullanıldığında elektrikli el aleti zorlanmaz. Aşırı yüklenmede veya izin verilen akü sıcaklığı aralığı dışında çalışıldığında elektrikli el aleti kapanır ve elektrikli el aletindeki LED yanıp sönmeye başlar. Bu gibi durumlarda çalışmaya devam etmeden önce elektrikli el aletinin soğumasını bekleyin.

Tam otomatik mil kilidi (Auto-Lock)

Açma/kapama şalteri (10) basılı değilken mil boynu ve delayısı ile uç girişi (1) kilitlidir.

Bu; vidaları akü (6) boşken de sıkmayı ve elektrikli el aletini tornavida olarak kullanmayı mümkün kılar.

Çalışırken dikkat edilecek hususlar

► **Elektrikli el aletini sadece kapalı durumdayken vidalara yerleştirin.** Dönmekte olan uçlar kayabilir.

Büyük ve uzun vidaları sert malzemeye vidalamadan önce dişin çekirdek çapı ile vida uzunluğunun 2/3 oranında bir kılavuz delik açmalısınız.

Vidalama ucunu veya çok amaçlı vidalama ucu adaptörünü çıkarmak için yardımcı bir alet kullanılabilir.

Bakım ve servis

Bakım ve temizlik

► **Elektrikli el aleti üzerinde herhangi bir çalışma yapmadan önce (örn. bakım, uç değişimi vb.) aküyü elektrikli el aletinden çıkarın.** Aletin açma/kapama şalterine yanlışlıkla basıldığında yaralanmalar ortaya çıkabilir.

► **İyi ve güvenli çalışabilmek için elektrikli el aletini ve havalandırma aralıklarını temiz tutun.**

Müşteri servisi ve uygulama danışmanlığı

Müşteri servisleri ürününüzün onarım ve bakımı ile yedek parçalarına ait sorularınızı yanıtladılır. Demonte görünüm ve yedek parçalara ilişkin bilgiler ayrıca şu adreste bulunabilir: www.bosch-pt.com

Bosch uygulama danışmanlığı ekibi, ürünlerimiz ve aksesuarları hakkındaki sorularınızda size yardımcı olmaktan mutluluk duyacaktır.

Bütün başvuru ve yedek parça siparişlerinizde ürünün tip etiketi üzerindeki 10 haneli ürün kodunu mutlaka belirtin.

Türkiye

Marmara Elektrikli El Aletleri Servis Hizmetleri Sanayi ve Ticaret Ltd. Şti.

Tersane cd. Zencefil Sok.No:6 Karaköy

Beyoğlu / İstanbul

Tel.: +90 212 2974320

Fax: +90 212 2507200

E-mail: info@marmarabps.com

Bağrıaçıklar Oto Elektrik

Motorlu Sanayi Çarşısı Doğruer Sk. No:9

Selçuklu / Konya

Tel.: +90 332 2354576

Tel.: +90 332 2331952

Fax: +90 332 2363492

E-mail: bagriaciklarotoelektrik@gmail.com

Akgül Motor Bobinaj San. Ve Tic. Ltd. Şti

Alaaddinbey Mahallesi 637. Sokak No:48/C

Nilüfer / Bursa

Tel.: +90 224 443 54 24

Fax: +90 224 271 00 86

E-mail: info@akgulbobinaj.com

Ankaralı Elektrik

Eski Sanayi Bölgesi 3. Cad. No: 43

Kocasinan / KAYSERİ

Tel.: +90 352 3364216

Tel.: +90 352 3206241

Fax: +90 352 3206242

E-mail: gunay@ankarali.com.tr

Asal Bobinaj

Eski Sanayi Sitesi Barbaros Cad. No: 24/C

Canik / Samsun

Tel.: +90 362 2289090

Fax: +90 362 2289090

E-mail: bpsasalbobinaj@hotmail.com

Aygem Elektrik Makine Sanayi ve Tic. Ltd. Şti.

10021 Sok. No: 11 AOSB

Çiğli / İzmir

Tel.: +90 232 3768074

Fax: +90 232 3768075

E-mail: boschservis@aygem.com.tr

Bakırcıoğlu Elektrik Makine Hırdavat İnşaat Nakliyat Sanayi

ve Ticaret Ltd. Şti.

Karaağaç Mah. Sümerbank Cad. No:18/4

Merkez / Erzincan

Tel.: +90 446 2230959

Fax: +90 446 2240132

E-mail: bilgi@korfezelektrik.com.tr

Bosch Sanayi ve Ticaret A.Ş.
Elektrikli El Aletleri
Aydınevler Mah. İnönü Cad. No: 20
Küçükyalı Ofis Park A Blok
34854 Maltepe-İstanbul
Tel.: 444 80 10
Fax: +90 216 432 00 82
E-mail: iletisim@bosch.com.tr
www.bosch.com.tr

Bulsan Elektrik
İstanbul Cad. Devrez Sok. İstanbul Çarşısı
No: 48/29 İskitler
Ulus / Ankara
Tel.: +90 312 3415142
Tel.: +90 312 3410302
Fax: +90 312 3410203
E-mail: bulsanbobinaj@gmail.com
Çözüm Bobinaj
Küsget San.Sit.A Blok 11Nolu Cd.No:49/A
Şehitkamil/Gaziantep
Tel.: +90 342 2351507
Fax: +90 342 2351508
E-mail: cozumbobinaj2@hotmail.com

Onarım Bobinaj
Raif Paşa Caddesi Çay Mahallesi No:67
İskenderun / HATAY
Tel.: +90 326 613 75 46
E-mail: onarim_bobinaj31@mynet.com
Faz Makine Bobinaj
Cumhuriyet Mah. Sanayi Sitesi Motor
İşleri Bölümü 663 Sk. No:18
Murat Paşa / Antalya
Tel.: +90 242 3465876
Tel.: +90 242 3462885
Fax: +90 242 3341980
E-mail: info@fazmakina.com.tr

Günşah Otomotiv Elektrik Endüstriyel Yapı Malzemeleri San
ve Tic. Ltd. Şti
Beylikdüzü Sanayi Sit. No: 210
Beylikdüzü / İstanbul
Tel.: +90 212 8720066
Fax: +90 212 8724111
E-mail: gunsahelektrik@ttmail.com
Sezmen Bobinaj Elektrikli El Aletleri İmalatı San ve Tic. Ltd.
Şti.
Ege İş Merkezi 1201/4 Sok. No: 4/B
Yenişehir / İzmir
Tel.: +90 232 4571465
Tel.: +90 232 4584480
Fax: +90 232 4573719
E-mail: info@sezmenbobinaj.com.tr
Üstündağ Bobinaj ve Soğutma Sanayi
Nusretiye Mah. Boyacılar Aralığı No: 9
Çorlu / Tekirdağ
Tel.: +90 282 6512884
Fax: +90 282 6521966
E-mail: info@ustundagsogutma.com

İŞIKLAR ELEKTRİK BOBİNAJ
Karasoku Mahallesi 28028. Sokak No:20/A
Merkez / ADANA
Tel.: +90 322 359 97 10 - 352 13 79
Fax: +90 322 359 13 23
E-mail: isiklar@isiklarelektrik.com

Diğer servisleri şu adreste bulabilirsiniz:
www.bosch-pt.com/serviceaddresses

Taşıma

Alet içindeki lityum iyon (Li-Ion) aküler tehlikeli madde taşıma yönetmeliği hükümlerine tabidir. Aküler başka bir yükümlülük olmaksızın kullanıcı tarafından caddeler üzerinde taşınabilir.

Üçüncü kişiler aracılığıyla yollamada (örneğin hava yolu veya nakliye şirketi ile yollamada) ambalaj ve etiketlemeye ait özel hükümlere uyulmalıdır. Bu konuda gönderi hazırlanırken bir tehlikeli madde uzmanından yardım alınmalıdır.

Akülerini sadece gövdeleri hasarsız durumda gönderin. Açık kontakların üzerini kapatınız ve aküyü ambalaj içinde hareket etmeyecek biçimde paketleyiniz. Lütfen olası ek ulusal yönetmelik hükümlerine de uyun.

Tasfiye



Elektrikli el aletleri, aküler, aksesuar ve ambalaj malzemesi çevre dostu tasfiye amacıyla bir geri dönüşüm merkezine yollanmalıdır.



Elektrikli el aletlerini ve akülerini/bataryalarını evsel çöplerin içine atmayın!

Sadece AB ülkeleri için:

Artık kullanılmayan ve arızalı elektrikli el aletleri veya kullanılmış aküler/piller ayrı olarak imha edilmelidir. Belirtilen toplama sistemlerini kullanın.

Atık elektrikli ve elektronik ekipmanlar, uygunsuz şekilde bertaraf edildikleri takdirde, olası tehlikeli maddelerin varlığı nedeniyle çevre ve insan sağlığı üzerinde zararlı etkilere yol açabilir.

Aküler/bataryalar:

Lityum iyon:

Lütfen taşıma bölümündeki talimata uyun (Bakınız „Taşıma“, Sayfa 28).

Polski

Wskazówki bezpieczeństwa

Ogólne wskazówki bezpieczeństwa dotyczące pracy z elektronarzędziami

⚠️ OSTRZEŻENIE Należy zapoznać się ze wszystkimi ostrzeżeniami i wskazówkami dotyczącymi bezpieczeństwa użytkowania oraz ilustracjami i danymi technicznymi, dostarczonymi wraz z niniejszym elektronarzędziem. Nieprzestrzeganie poniższych wskazówek może stać się przyczyną porażenia prądem elektrycznym, pożaru i/lub poważnych obrażeń ciała.

Należy zachować wszystkie przepisy i wskazówki bezpieczeństwa dla dalszego zastosowania.

Pojęcie "elektronarzędzie" odnosi się do elektronarzędzi zasilanych energią elektryczną z sieci (z przewodem zasilającym) i do elektronarzędzi zasilanych akumulatorami (bez przewodu zasilającego).

Bezpieczeństwo w miejscu pracy

- ▶ **Miejsce pracy należy utrzymywać w czystości i zapewnić dobre oświetlenie.** Nieporządek i brak właściwego oświetlenia sprzyjają wypadkom.
- ▶ **Elektronarzędzi nie należy używać w środowiskach zagrożonych wybuchem, np. w pobliżu łatwopalnych cieczy, gazów lub pyłów.** Podczas pracy elektronarzędziem wytwarzają się iskry, które mogą spowodować zapłon pyłów lub oparów.
- ▶ **Podczas użytkowania urządzenia należy zwrócić uwagę na to, aby dzieci i inne osoby postronne znajdowały się w bezpiecznej odległości.** Czynniki rozpraszające mogą spowodować utratę panowania nad elektronarzędziem.

Bezpieczeństwo elektryczne

- ▶ **Wtyczki elektronarzędzi muszą pasować do gniazda. Nie wolno w żadnej sytuacji i w żaden sposób modyfikować wtyczek. Podczas pracy elektronarzędziami z uziemieniem ochronnym nie wolno stosować żadnych wtyków adaptacyjnych.** Oryginalne wtyczki i pasujące do nich gniazda sieciowe zmniejszają ryzyko porażenia prądem.
- ▶ **Należy unikać kontaktu z uziemionymi elementami lub zwartymi z masą, takimi jak rury, grzejniki, kucharki i lodówki.** Uziemienie ciała zwiększa ryzyko porażenia prądem elektrycznym.
- ▶ **Elektronarzędzi nie wolno narażać na kontakt z deszczem ani wilgocią.** Przedostanie się wody do wnętrza obudowy zwiększa ryzyko porażenia prądem elektrycznym.
- ▶ **Nie używać przewodu zasilającego do innych celów. Nie wolno używać przewodu do przenoszenia ani przesuwania elektronarzędzia; nie wolno też wyjmować wtyczki z gniazda, pociągając za przewód. Przewód należy chronić przed wysokimi temperaturami, należy**

go trzymać z dala od oleju, ostrych krawędzi i ruchomych części urządzenia. Uszkodzone lub splątane przewody zwiększają ryzyko porażenia prądem elektrycznym.

- ▶ **Używając elektronarzędzia na świeżym powietrzu, należy upewnić się, że przedłużacz jest przeznaczony do pracy na zewnątrz.** Użycie przedłużacza przeznaczonego do pracy na zewnątrz zmniejsza ryzyko porażenia prądem elektrycznym.
- ▶ **Jeżeli nie ma innej możliwości, niż użycie elektronarzędzia w wilgotnym otoczeniu, należy podłączyć je do źródła zasilania wyposażonego w wyłącznik ochronny różnicowoprądowy.** Zastosowanie wyłącznika ochronnego różnicowoprądowego zmniejsza ryzyko porażenia prądem elektrycznym.

Bezpieczeństwo osób

- ▶ **Podczas pracy z elektronarzędziem należy zachować czujność, każdą czynność wykonywać ostrożnie i z rozważą. Nie przystępować do pracy elektronarzędziem w stanie zmęczenia lub będąc pod wpływem narkotyków, alkoholu lub leków.** Chwila nieuwagi podczas pracy może grozić bardzo poważnymi obrażeniami ciała.
- ▶ **Stosować środki ochrony osobistej. Należy zawsze nosić okulary ochronne.** Środki ochrony osobistej, np. maska przeciwpylowa, antypoślizgowe obuwie, kask ochronny czy ochraniacze na uszy, w określonych warunkach pracy obniżają ryzyko obrażeń ciała.
- ▶ **Należy unikać niezamierzonego uruchomienia narzędzia. Przed podłączeniem elektronarzędzia do źródła zasilania i/lub podłączeniem akumulatora, podniesieniem albo transportem urządzenia, należy upewnić się, że wyłącznik elektronarzędzia znajduje się w pozycji wyłączonej.** Przenoszenie elektronarzędzia z palcem opartym na wyłączniku/wyłączniku lub włożeniu do gniazda sieciowego wtyczki włączonego narzędzia, może stać się przyczyną wypadków.
- ▶ **Przed włączeniem elektronarzędzia należy usunąć wszystkie narzędzia nastawcze i klucze maszynowe.** Narzędzia lub klucze, pozostawione w ruchomych częściach urządzenia, mogą spowodować obrażenia ciała.
- ▶ **Należy unikać nienaturalnych pozycji przy pracy. Należy dbać o stabilną pozycję przy pracy i zachowanie równowagi.** Dzięki temu można będzie łatwiej zapanować nad elektronarzędziem w nieprzewidzianych sytuacjach.
- ▶ **Należy nosić odpowiednią odzież. Nie należy nosić luźnej odzieży ani biżuterii. Włosy i odzież należy trzymać z dala od ruchomych części.** Luźna odzież, biżuteria lub długie włosy mogą zostać pochwycone przez ruchome części.
- ▶ **Jeżeli producent przewidział możliwość podłączenia odkurzacza lub systemu odsysania pyłu, należy upewnić się, że są one podłączone i są prawidłowo stosowane.** Użycie urządzenia odsysającego pył może zmniejszyć zagrożenie zdrowia pyłami.

- ▶ **Nie wolno dopuścić, aby rutyna, nabyta w wyniku częstej pracy elektronarzędziem, zastąpiła ściśle przestrzeganie zasad bezpieczeństwa.** Brak ostrożności i rozważli podczas obsługi elektronarzędzia może w ułamku spowodować ciężkie obrażenia.

Obsługa i konserwacja elektronarzędzi

- ▶ **Nie należy przeciążać elektronarzędzia. Należy dobrać odpowiednio elektronarzędzie do wykonywanej czynności.** Odpowiednio dobrane elektronarzędzie wykona pracę lepiej i bezpieczniej, z prędkością, do jakiej jest przystosowane.
- ▶ **Nie należy używać elektronarzędzia z uszkodzonym włącznikiem/wyłącznikiem.** Elektronarzędzie, którym nie można sterować za pomocą włącznika/wyłącznika, stwarza zagrożenie i musi zostać naprawione.
- ▶ **Przed rozpoczęciem jakichkolwiek prac nastawczych, przed wymianą osprzętu lub przed odłożeniem elektronarzędzia należy wyjąć wtyczkę z gniazda sieciowego i/lub usunąć akumulator.** Ten środek ostrożności ogranicza ryzyko niezamierzonego uruchomienia elektronarzędzia.
- ▶ **Nieużywane elektronarzędzia należy przechowywać w miejscu niedostępnym dla dzieci. Nie należy udostępniać narzędzia osobom, które nie są z nim obeznane lub nie zapoznały się z niniejszą instrukcją.** Elektronarzędzia w rękach nieprzeszkolonego użytkownika są niebezpieczne.
- ▶ **Elektronarzędzia i osprzęt należy utrzymywać w niezagrożonym stanie technicznym. Należy kontrolować, czy ruchome części urządzenia prawidłowo funkcjonują i nie są zablokowane, czy nie doszło do uszkodzenia niektórych części oraz czy nie występują inne okoliczności, które mogą mieć wpływ na prawidłowe działanie elektronarzędzia. Uszkodzone części należy naprawić przed użyciem elektronarzędzia.** Wiele wypadków spowodowanych jest niewłaściwą konserwacją elektronarzędzi.
- ▶ **Należy stale dbać o czystość narzędzi skrawających i regularnie je ostrzyć.** Starannie konserwowane, ostre narzędzia skrawające rzadziej się blokują i są łatwiejsze w obsłudze.
- ▶ **Elektronarzędzi, osprzętu, narzędzi roboczych itp. należy używać zgodnie z ich instrukcjami oraz uwzględniać warunki i rodzaj wykonywanej pracy.** Wykorzystywanie elektronarzędzi do celów niezgodnych z ich przeznaczeniem jest niebezpieczne.
- ▶ **Uchwyty i powierzchnie chwytowe powinny być zawsze suche, czyste i niezabrudzone olejem ani smarem.** Śliskie uchwyty i powierzchnie chwytowe nie pozwalają na bezpieczne trzymanie narzędzia i kontrolę nad nim w nieoczekiwanych sytuacjach.

Obsługa i konserwacja elektronarzędzi akumulatorowych

- ▶ **Akumulatory należy ładować tylko w ładowarkach o parametrach określonych przez producenta.** W przypadku użycia ładowarki, przystosowanej do ładowania

określonego rodzaju akumulatorów, w sposób niezgodny z przeznaczeniem, istnieje niebezpieczeństwo pożaru.

- ▶ **Elektronarzędzi należy używać wyłącznie z przeznaczonymi do nich akumulatorami.** Użycie innych akumulatorów może stwarzać ryzyko odniesienia obrażeń ciała i zagrożenie pożarem.
- ▶ **Nieużywany akumulator należy przechowywać z dala od metalowych elementów, takich jak spinacze, monety, klucze, gwoździe, śruby lub inne małe przedmioty metalowe, które mogłyby spowodować zwarcie biegunów akumulatora.** Zwarcie biegunów akumulatora może skutkować oparzeniem lub wybuchem pożaru.
- ▶ **Przechowywanie lub użytkowanie akumulatora w nieodpowiednich warunkach może spowodować wyciek elektrolitu. Należy unikać kontaktu z elektrolitem, a w razie przypadkowego kontaktu, przepłukać skórę wodą. W przypadku dostania się elektrolitu do oczu, należy dodatkowo zasięgnąć porady lekarza.** Elektrolit wyciekający z akumulatora może spowodować podrażnienie skóry lub oparzenia.
- ▶ **Nie wolno używać uszkodzonych ani modyfikowanych akumulatorów i elektronarzędzi.** Uszkodzone lub zmodyfikowane akumulatory mogą zachowywać się w sposób nieprzewidywalny, powodując niebezpieczne dla zdrowia skutki (zapłon, eksplozja, obrażenia ciała).
- ▶ **Akumulator należy trzymać z dala od ognia oraz chronić przed ekstremalnymi temperaturami.** Wskutek działania ognia lub temperatury przekraczającej 130 °C akumulator może eksplodować.
- ▶ **Należy stosować się do wszystkich wskazówek dotyczących ładowania. Nie wolno ładować akumulatora lub elektronarzędzia w temperaturze znajdującej się poza zakresem sprecyzowanym w niniejszej instrukcji.** Niezgodne z instrukcją ładowanie lub ładowanie w temperaturze niemieszczonej się w zalecanym zakresie może spowodować uszkodzenie akumulatora oraz zwiększa ryzyko pożaru.

Serwis

- ▶ **Prace serwisowe przy elektronarzędziu mogą być wykonywane wyłącznie przez wykwalifikowany personel i przy użyciu oryginalnych części zamiennych.** W ten sposób zagwarantowana jest bezpieczna eksploatacja elektronarzędzia.
- ▶ **Nie wolno w żadnym wypadku naprawiać uszkodzonego akumulatora.** Naprawy akumulatora można dokonywać wyłącznie u producenta lub w autoryzowanym punkcie serwisowym.

Zasady bezpieczeństwa podczas pracy z wiertarkami

Zalecenia dotyczące bezpieczeństwa podczas wykonywania wszystkich prac

- ▶ **Podczas wiercenia z udarem należy stosować środki ochrony słuchu.** Narażenie na hałas może stać się przyczyną utraty słuchu.

- ▶ **Podczas wykonywania prac, przy których narzędzie skrawające lub elementy mocujące mogłyby natrafić na ukryte przewody elektryczne, elektronarzędzie należy trzymać wyłącznie za izolowane powierzchnie.**

Kontakt narzędzia skrawającego lub elementu mocującego z przewodem elektrycznym pod napięciem może spowodować przekazanie napięcia na nieizolowane części metalowe elektronarzędzia, grożąc porażeniem prądem elektrycznym.

Zalecenia dotyczące stosowania długich wiertel

- ▶ **Nigdy nie wolno pracować z prędkością większą niż maksymalna prędkość dla danego wiertła.** Przy wyższych prędkościach wiertło obracające się swobodnie, bez kontaktu z materiałem, ma tendencję do wyginania się, co może skutkować obrażeniami ciała.
- ▶ **Zawsze należy rozpocząć wiercenie przy niskiej prędkości. Końcówka wiertła musi mieć kontakt z powierzchnią materiału.** Przy wyższych prędkościach wiertło obracające się swobodnie, bez kontaktu z materiałem, ma tendencję do wyginania się, co może skutkować obrażeniami ciała.
- ▶ **Nacisk należy wywierać wyłącznie w jednej linii z pracującym narzędziem roboczym. Nie należy wywierać nadmiernego nacisku.** Wskutek zbyt dużej siły nacisku wiertła mogą się wyginać, co może prowadzić do ich złamania lub utraty kontroli nad narzędziem, i w efekcie spowodować obrażenia ciała.

Dodatkowe wskazówki bezpieczeństwa

- ▶ **W razie zablokowania się narzędzia roboczego należy natychmiast wyłączyć elektronarzędzie. Należy być przygotowanym na wysokie momenty reakcji, które powodują odrzut.** Narzędzie robocze może się zablokować w przypadku przeciążenia elektronarzędzia lub skrzywienia jego pozycji w obrabianym elemencie.
- ▶ **Elektronarzędzie należy mocno trzymać.** Podczas dokręcania i odkręcania wkrętów i śrub mogą okresowo wystąpić wysokie momenty reakcji.
- ▶ **Należy zabezpieczyć obrabiany przedmiot.** Zamocowanie obrabianego przedmiotu w urządzeniu mocującym lub imadle jest bezpieczniejsze niż trzymanie go w rękę.
- ▶ **Należy używać odpowiednich detektorów w celu zlokalizowania instalacji lub zwrócić się o pomoc do lokalnego dostawcy usługi.** Kontakt z przewodami znajdującymi się pod napięciem może doprowadzić do powstania pożaru lub porażenia elektrycznego. Uszkodzenie przewodu gazowego może doprowadzić do wybuchu. Przebiecie przewodu wodociągowego powoduje szkody rzeczowe.
- ▶ **Przed odłożeniem elektronarzędzia należy poczekać, aż znajdzie się ono w bezruchu.** Narzędzie robocze może się zablokować i doprowadzić do utraty kontroli nad elektronarzędziem.
- ▶ **W razie uszkodzenia akumulatora lub stosowania go niezgodnie z przeznaczeniem może dojść do wystąpienia oparów. Akumulator może się zapalić lub wybuchnąć.** Należy zadbać o dopływ świeżego powietrza, a w

przypadku wystąpienia dolegliwości skontaktować się z lekarzem. Opary mogą podrażnić drogi oddechowe.

- ▶ **Nie modyfikować ani nie otwierać akumulatora.** Istnieje niebezpieczeństwo zwarcia.
- ▶ **Ostre przedmioty, takie jak gwoździe lub śrubokręt, a także działanie sił zewnętrznych mogą spowodować uszkodzenie akumulatora.** Może wówczas dojść do zwarcia wewnętrznego akumulatora i do jego przepalenia, eksplozji lub przegrzania.
- ▶ **Akumulator należy stosować wyłącznie w urządzeniach producenta.** Tylko w ten sposób można ochronić akumulator przed niebezpiecznym dla niego przeciążeniem.



Akumulator należy chronić przed wysokimi temperaturami, np. przed stałym nasłonecznieniem, przed ogniem, zanieczyszczeniami, wodą i wilgocią. Istnieje zagrożenie zwarcia i wybuchu.

Opis urządzenia i jego zastosowania



Należy przeczytać wszystkie wskazówki dotyczące bezpieczeństwa i zalecenia. Nieprzestrzeżenie wskazówek dotyczących bezpieczeństwa i zaleceń może doprowadzić do porażenia prądem elektrycznym, pożaru i/lub poważnych obrażeń ciała.

Proszę zwrócić uwagę na rysunki zamieszczone na początku instrukcji obsługi.

Użycie zgodne z przeznaczeniem

Elektronarzędzie jest przeznaczone do wkręcania i wykręcania wkrętów/śrub, do wiercenia w drewnie, metalu, płytkach ceramicznych i tworzywach sztucznych, a także do wiercenia udarowego w cegle, murze i kamieniu.

Przedstawione graficznie komponenty

Numeracja przedstawionych komponentów odnosi się do schematu elektronarzędzia, znajdującego się na stronie graficznej.

- (1) Uchwyt narzędziowy
- (2) Szybkozaciskowy uchwyt wiertarski
- (3) Pokrętko wstępnego wyboru momentu obrotowego
- (4) Pokrętko wstępnego wyboru trybu pracy
- (5) Przełącznik biegów
- (6) Akumulator^{a)}
- (7) Przycisk odblokowujący akumulator^{a)}
- (8) Oświetlenie robocze (LED)
- (9) Przełącznik kierunku obrotów
- (10) Włącznik/wyłącznik
- (11) Rękojeść (powierzchnia izolowana)
- (12) Końcówka wkręcająca^{a)}
- (13) Uniwersalny uchwyt do końcówek wkręcających^{a)}

a) **Nie wchodzi w skład wyposażenia standardowego.**

Dane techniczne

Akumulatorowa wiertarka udarowa		GSB 183-LI
Numer katalogowy		3 601 JK9 1..
Napięcie znamionowe	V=	18
Prędkość obrotowa bez obciążenia ^{A)B)}		
– 1. bieg	min ⁻¹	0–440
– 2. bieg	min ⁻¹	0–1650
Maks. moment obrotowy, wkręcanie twarde/miękkie ^{A)B)}	Nm	56/21
Liczba udarów ^{A)B)}	min ⁻¹	24000
Maks. Ø wiercenia		
– Mur	mm	10
– Stal	mm	10
– Drewno	mm	35
Zakres mocowania uchwyty wiertarskiego	mm	13
Maks. Ø wkrętów	mm	10
Waga ^{B)}	kg	1,6 (2,0 Ah) – 2,6 (12,0 Ah)
Zalecana temperatura otoczenia podczas ładowania	°C	0 ... +35
Dopuszczalna temperatura otoczenia podczas pracy ^{C)} i podczas przechowywania	°C	–20 ... +50
Zalecane akumulatory		GBA 18V... ProCORE18V...
Zalecane ładowarki		GAL 18... GAX 18... GAL 36...

A) Pomiar wykonany przy temperaturze 20–25 °C z akumulatorem **GBA 18V 2.0Ah**.

B) w zależności od zastosowanego akumulatora

C) ograniczona wydajność w przypadku temperatur < 0 °C
Wartości mogą różnić się w zależności od produktu, zastosowania i warunków otoczenia. Więcej informacji na stronie: www.bosch-professional.com/wac.

Informacje o emisji hałasu i drgań

Wartości pomiarowe emisji hałasu zostały określone zgodnie z **EN 62841-2-1**.

Określony wg skali A typowy poziom hałasu emitowanego przez urządzenie wynosi: poziom ciśnienia akustycznego **86 dB(A)**; poziom mocy akustycznej **94 dB(A)**. Niepewność pomiaru K = **5 dB**.

Stosować środki ochrony słuchu!

Wartości łączne drgań a_h (suma wektorowa z trzech kierunków) i niepewność pomiaru K oznaczone zgodnie z **EN 62841-2-1**:

Wiercenie w metalu: $a_h = 1,0 \text{ m/s}^2$, K = **1,5 m/s**²

Wiercenie udarowe w betonie: $a_h = 12,8 \text{ m/s}^2$, K = **1,5 m/s**²,

Podany w niniejszej instrukcji poziom drgań i poziom emisji hałasu zostały zmierzone zgodnie ze znormalizowaną procedurą pomiarową i mogą zostać użyte do porównywania elektronarzędzi. Można ich także użyć do wstępnej oceny poziomu drgań i poziomu emisji hałasu.

Podany poziom drgań i poziom emisji hałasu jest reprezentatywny dla podstawowych zastosowań elektronarzędzia. Jeżeli elektronarzędzie użyte zostanie do innych zastosowań lub z innymi narzędziami roboczymi, a także jeśli nie będzie właściwie konserwowane, poziom drgań i poziom emisji hałasu mogą różnić się od podanych wartości. Podane powyżej przyczyny mogą spowodować podwyższenie poziomu drgań i poziomu emisji hałasu w czasie pracy.

Aby dokładnie ocenić poziom drgań i poziom emisji hałasu, należy wziąć pod uwagę także okresy, gdy urządzenie jest wyłączone lub gdy jest ono wprawdzie włączone, ale nie jest używane do pracy. Podane powyżej przyczyny mogą spowodować obniżenie poziomu drgań i poziomu emisji hałasu w czasie pracy.

Należy wprowadzić dodatkowe środki bezpieczeństwa, mające na celu ochronę osoby obsługującej przed skutkami ekspozycji na drgania, np.: konserwacja elektronarzędzia i narzędzi roboczych, zapewnienie odpowiedniej temperatury, aby nie dopuścić do wyziębienia rąk, właściwa organizacja czynności wykonywanych podczas pracy.

Montaż

► **Przed przystąpieniem do jakichkolwiek prac przy elektronarzędziu (np. konserwacja, wymiana narzędzi roboczych itp.) należy wyjąć akumulator.** W przypadku niezamierzonego naciśnięcia włącznika/wyłącznika istnieje niebezpieczeństwo doznania obrażeń.

Ładowanie akumulatora

► **Należy stosować wyłącznie ładowarki wyszczególnione w danych technicznych.** Tylko te ładowarki są odpowiednie do ładowania zastosowanego w elektronarzędziu akumulatora litowo-jonowego.

Wskazówka: W momencie dostawy akumulator jest naładowany częściowo. Aby zagwarantować pełną wydajność akumulatora, należy przed pierwszym użyciem całkowicie naładować akumulator w ładowarce.

Akumulator litowo-jonowy można doładować w dowolnej chwili, nie powodując tym skrócenia jego żywotności. Przerwanie procesu ładowania nie niesie za sobą ryzyka uszkodzenia ogniw akumulatora.

Dzięki systemowi elektronicznej ochrony ogniw "Electronic Cell Protection (ECP)" akumulator litowo-jonowy jest zabezpieczony przed głębokim rozładowaniem. W przypadku rozładowania akumulatora układ ochronny odłącza urządzenie; narzędzie przestaje się poruszać.

► **Po automatycznym wyłączeniu elektronarzędzia nie naciskać ponownie włącznika/wyłącznika.** Można w ten sposób uszkodzić akumulator.

Przestrzegać wskazówek dotyczących utylizacji odpadów.

Wymywanie akumulatora

Akumulator (6) posiada dwa stopnie blokady, zapobiegające jego wypadnięciu w przypadku niezamierzonego naciśnięcia przycisku odblokowującego (7). Akumulator, umieszczony w obudowie elektronarzędzia, przytrzymywany jest na miejscu za pomocą sprężyny.

W celu wyjścia akumulatora (6) nacisnąć przycisk odblokowujący (7) i wyjąć akumulator z elektronarzędzia. **Nie należy przy tym używać siły.**

Wymiana narzędzi roboczych (zob. rys. A)

► **Przed przystąpieniem do jakichkolwiek prac przy elektronarzędziu (np. konserwacja, wymiana narzędzi roboczych itp.) należy wyjąć akumulator.** W przypadku niezamierzonego naciśnięcia włącznika/wyłącznika istnieje niebezpieczeństwo doznania obrażeń.

Przy zwolnionym włączniku/wyłączniku (10) następuje zablokowanie wrzeciona. Umożliwia to szybką, wygodną i łatwą wymianę narzędzi roboczych w uchwycie wiertarskim. Otworzyć szybkozaczepowy uchwyt wiertarski (2), obracając nim w kierunku ①, aż możliwe będzie osadzenie narzędzia roboczego. Włożyć narzędzie robocze.

Ręką mocno przekreślić tuleję szybkozaczepowego uchwytu wiertarskiego (2) w kierunku ②. Uchwyt wiertarski zostanie automatycznie zablokowany.

Odsysanie pyłów/wiórów

Pyły niektórych materiałów, na przykład pyłków malarskich z zawartością ołowiu, niektórych gatunków drewna, minerałów lub niektórych rodzajów metalu, mogą stanowić zagrożenie dla zdrowia. Bezpośredni kontakt fizyczny z pyłami lub przedostanie się ich do płuc może wywołać reakcje alergiczne i/lub choroby układu oddechowego operatora lub osób znajdujących się w pobliżu.

Niektóre rodzaje pyłów, np. dębiny lub buczyny uważane są za rakotwórcze, szczególnie w połączeniu z substancjami do obróbki drewna (chromiany, impregnaty do drewna). Materiały, zawierające azbest mogą być obrabiane jedynie przez odpowiednio przeszkolony personel.

- Należy zawsze dbać o dobrą wentylację stanowiska pracy.
- Zaleca się noszenie maski przeciwpylowej z pochłanianiem klasy P2.

Należy przestrzegać aktualnie obowiązujących w danym kraju przepisów, regulujących zasady obróbki różnego rodzaju materiałów.

► **Należy unikać gromadzenia się pyłu na stanowisku pracy.** Pyły mogą się z łatwością zapalić.

Praca

Uruchamianie

Wkładanie akumulatora

Wskazówka: Użycie niedostosowanych do danego elektronarzędzia akumulatorów może prowadzić do niewłaściwego działania lub do uszkodzenia elektronarzędzia.

Wsunąć naładowany akumulator (6) od przodu w stopę elektronarzędzia aż do jego zaryglowania.

Ustawianie kierunku obrotów (zob. rys. B)

► **Przełącznik kierunku obrotów (9) wolno przestawiać tylko przy wyłączonym elektronarzędziu.**

Za pomocą przełącznika obrotów (9) można zmienić kierunek obrotów elektronarzędzia. Przy naciśniętym włączniku/wyłączniku (10) jest to jednak niemożliwe.

Obroty w prawo: W celu wiercenia i wkręcania śrub nacisnąć przełącznik kierunku obrotów (9) w lewo do oporu.

Obroty w lewo: Aby wykręcić śrubę lub odkręcić nakrętkę, należy przesunąć przełącznik kierunku obrotów (9) w prawo aż do oporu.

Ustawianie trybu pracy



Wiercenie

Przesunąć pokrętkę wstępnego wyboru trybu pracy (4) na symbol „wiercenie”, aby osiągnąć maksymalny moment obrotowy przewidziany do wiercenia i wkręcania.



Wkręcanie

Przesunąć pokrętkę wstępnego wyboru trybu pracy (4) na symbol „wkręcanie”.

Za pomocą pokrętki wstępnego wyboru momentu obrotowego (3) ustawić żądany moment obrotowy.



Wiercenie udarowe

Przesunąć pokrętkę wstępnego wyboru trybu pracy (4) na symbol „wiercenie udarowe”.

Włączanie/wyłączanie

Aby **włączyć** elektronarzędzia, należy nacisnąć włącznik/wyłącznik (10) i przytrzymać w tej pozycji.

Oświetlenie robocze LED (8) świeci się przy lekko lub całkowicie naciśniętym włączniku/wyłączniku (10), zapewniając lepszą widoczność miejsca pracy przy niekorzystnych warunkach oświetleniowych.

Aby **wyłączyć** elektronarzędzie, należy zwolnić włącznik/wyłącznik (10).

Oświetlenie robocze LED ze wskaźnikiem stanu



Oświetlenie robocze LED (8) jest wykorzystywane także do sygnalizowania stanu systemu ochrony narzędzia oraz niskiego poziomu naładowania akumulatora:

Sygnal zwrrotny LED	Opis
Światło migające 3 razy podczas pracy	Niski poziom naładowania akumulatora. Napięcie akumulatora spadło poniżej wartości optymalnej. Narzędzie pracuje z ograniczoną wydajnością.
Światło migające 3 razy po przerwie w pracy	Aktywny system ochrony narzędzia. System ochrony narzędzia został aktywowany w celu zabezpieczenia akumulatora przed zbyt wysokim zużyciem energii

**Sygnal zwrotny Opis
LED**

oraz w celu zabezpieczenia narzędzia przed uszkodzeniem.

- Jeżeli poziom naładowania akumulatora jest zbyt niski, należy naładować akumulator **(6)** lub wymienić rozładowany akumulator na akumulator naładowany do pełna.

Ustawianie prędkości obrotowej

Prędkość obrotowa włączonego elektronarzędzia może być regulowana bezstopniowo, w zależności od siły nacisku na włącznik/wyłącznik **(10)**.

Lekki nacisk na włącznik/wyłącznik **(10)** oznacza niską prędkość obrotową. Wraz ze zwiększającą się siłą nacisku prędkość obrotowa rośnie.

Wstępny wybór momentu obrotowego (dotyczy trybu wkręcania)

Za pomocą pokrętki wstępnego wyboru momentu obrotowego **(3)** można ustawić żądany moment obrotowy w 20 stopniach. Jeżeli w trakcie pracy zostanie osiągnięty ustawiony moment obrotowy, narzędzie robocze zatrzyma się.

Mechaniczne przełączanie biegów

- ▶ **Przełącznik biegów (5) można obsługiwać tylko przy wyłączonym narzędziu.**

1. bieg:

Niski zakres prędkości obrotowej; do pracy z dużymi średnicami wiertła lub do wkręcania.

2. bieg:

Wysoki zakres prędkości obrotowej – do wiercenia otworów o małych średnicach.

- ▶ **Przełącznik biegów należy zawsze przesuwać aż do oporu.** W przeciwnym wypadku może dojść do uszkodzenia elektronarzędzia.

Termiczny wyłącznik przeciążeniowy

Stosowanego zgodnie z przeznaczeniem elektronarzędzia nie można przeciążyć. Jeżeli obciążenie jest zbyt duże lub jeżeli przekroczony zostanie dopuszczalny zakres temperatur akumulatora, elektronarzędzie wyłącza się automatycznie, a dioda LED na elektronarzędziu zaczyna migać. Powrót do pracy jest możliwy dopiero po schłodzeniu elektronarzędzia.

Automatyczna blokada wrzeczona (Auto-Lock)

Przy zwolnionym włączniku/wyłączniku **(10)** wrzeczono, a wraz z nim uchwyt narzędziowy **(1)** są zablokowane.

Umożliwia to wkręcanie również przy wyładowanym akumulatorze **(6)** lub używanie elektronarzędzia jako śrubokręta.

Wskazówki dotyczące pracy

- ▶ **Przed przyłożeniem elektronarzędzia do wkrętu/śruby należy je wyłączyć.** Obracające się narzędzia robocze mogą ześlizgnąć się z nakrętki lub z łba wkrętu/śruby.

Przed wkręcaniem większych, dłuższych śrub w twarde materiały, zaleca się wykonanie nawiercenia na ok. 2/3 długości śruby, o średnicy równej średnicy gwintu śruby.

Do zdejmowania końcówek wkręcających oraz uniwersalnego uchwytu na końcówki, można posłużyć się narzędziem.

Konserwacja i serwis

Konserwacja i czyszczenie

- ▶ **Przed przystąpieniem do jakichkolwiek prac przy elektronarzędziu (np. konserwacja, wymiana narzędzi roboczych itp.) należy wyjąć akumulator.** W przypadku niezamierzonego naciśnięcia włącznika/wyłącznika istnieje niebezpieczeństwo doznania obrażeń.
- ▶ **Utrzymywanie urządzenia i szczelin wentylacyjnych w czystości gwarantuje prawidłową i bezpieczną pracę.**

Obsługa klienta oraz doradztwo dotyczące użytkowania

W punkcie obsługi klienta można uzyskać odpowiedzi na pytania dotyczące napraw i konserwacji nabytego produktu, a także dotyczące części zamiennych. Rysunki techniczne oraz informacje o częściach zamiennych można także znaleźć pod adresem: www.bosch-pt.com

Pracownicy biura obsługi firmy Bosch chętnie udzielą pomocy w przypadku zapytań dotyczących naszych produktów i osprzętu.

Przy wszystkich zgłoszeniach oraz zamówieniach części zamiennych konieczne jest podanie 10-cyfrowego numeru katalogowego, znajdującego się na tabliczce znamionowej produktu.

Polska

Robert Bosch Sp. z o.o.

Serwis Elektronarzędzi

Ul. Jutrzenki 102/104

02-230 Warszawa

Na www.serwisbosch.com znajdują Państwo wszystkie szczegółowe informacje dotyczące usług serwisowych online.

Tel.: 22 7154450

Faks: 22 7154440

E-Mail: bsc@pl.bosch.com

www.bosch-pt.pl

Dalsze adresy serwisowe zamieszczamy poniżej:

www.bosch-pt.com/serviceaddresses

Transport

Zalecane akumulatory litowo jonowe podlegają wymaganiom przepisów dotyczących towarów niebezpiecznych. Akumulatory mogą być transportowane drogą lądową przez użytkownika bez konieczności spełnienia jakichkolwiek dalszych warunków.

W przypadku przesyłki przez osoby trzecie (np.: transport drogą powietrzną lub za pośrednictwem firmy spedycyjnej) należy stosować się do szczególnych wymogów dotyczących opakowania i znaczenia towaru. W takim wypadku podczas przygotowywania towaru do wysyłki należy skonsultować się z ekspertem d/s towarów niebezpiecznych.

Akumulatory można wysłać tylko wówczas, gdy ich obudowa nie jest uszkodzona. Odsłonięte styki należy zakleić, a

akumulátor zapakovat v takí způsob, aby nie mógł on się poruszać w opakowaniu. Należy wziąć też pod uwagę ewentualne przepisy prawa krajowego.

Utylizacja odpadów



Elektronarzędzia, akumulatory, osprzęt i opakowanie należy oddać do powtórnego przetworzenia zgodnego z obowiązującymi przepisami w zakresie ochrony środowiska.



Elektronarzędzia i akumulatory/baterii nie wolno wyrzucać do odpadów domowych!

Tylko dla krajów UE:

Niezdatne do użytku elektronarzędzia i uszkodzone lub zużyte akumulatory/baterie należy utylizować osobno. Należy korzystać z przewidzianych systemów zbiórki.

W przypadku nieprawidłowej utylizacji zużytych elektrycznych i elektronicznych może mieć szkodliwe skutki dla środowiska i zdrowia ludzkiego, wynikające z potencjalnej obecności substancji niebezpiecznych.

Akumulatory/baterie:

Li-Ion:

Prosimy postępować zgodnie ze wskazówkami umieszczonymi w rozdziale Transport (zob. „Transport“, Strona 34).

Čeština

Bezpečnostní upozornění

Obecné bezpečnostní pokyny pro elektrické nářadí

⚠ VÝSTRAHA Prostudujte si všechny bezpečnostní výstrahy, pokyny, ilustrace a specifikace k tomuto elektrickému nářadí.

Nedodržování všech níže uvedených pokynů může mít za následek úraz elektrickým proudem, požár a/nebo těžké poranění.

Všechna varovná upozornění a pokyny do budoucna uschovejte.

V upozorněních použitý pojem „elektrické nářadí“ se vztahuje na elektrické nářadí napájené ze sítě (se síťovým kabelem) a na elektrické nářadí napájené akumulátorem (bez síťového kabelu).

Bezpečnost pracoviště

- ▶ **Udržujte pracoviště v čistotě a dobře osvětlené.**
Nepořádek nebo neosvětlené pracoviště mohou vést k úrazům.
- ▶ **S elektrickým nářadím nepracujte v prostředí ohroženém explozí, kde se nacházejí hořlavé kapaliny,**

plyny nebo prach. Elektrické nářadí vytváří jiskry, které mohou prach nebo páry zapálit.

- ▶ **Děti a jiné osoby udržujte při použití elektrického nářadí v bezpečné vzdálenosti od pracoviště.** Při rozptýlení můžete ztratit kontrolu nad nářadím.

Elektrická bezpečnost

- ▶ **Zástrčky elektrického nářadí musí lícovat se zásuvkou. Zástrčka nesmí být žádným způsobem upravena. S elektrickým nářadím s ochranným uzemněním nepoužívejte žádné adaptérové zástrčky.** Neupravené zástrčky a odpovídající zásuvky snižují riziko zásahu elektrickým proudem.
- ▶ **Zabraňte kontaktu těla s uzemněnými povrchy, jako jsou např. potrubí, topení, sporáky a chladničky.** Je-li vaše tělo uzemněno, existuje zvýšené riziko zásahu elektrickým proudem.
- ▶ **Chraňte elektrické nářadí před deštěm a vlhkem.** Vniknutí vody do elektrického nářadí zvyšuje nebezpečí zásahu elektrickým proudem.
- ▶ **Dbejte na účel kabelu. Nepoužívejte jej k nošení elektrického nářadí nebo k vytažení zástrčky ze zásuvky. Udržujte kabel v bezpečné vzdálenosti od tepla, oleje, ostrých hran nebo pohyblivých dílů.** Poškozené nebo spletené kabely zvyšují riziko zásahu elektrickým proudem.
- ▶ **Pokud pracujete s elektrickým nářadím venku, použijte pouze takové prodlužovací kabely, které jsou způsobilé i pro venkovní použití.** Použití prodlužovacího kabelu, jež je vhodný pro použití venku, snižuje riziko zásahu elektrickým proudem.
- ▶ **Pokud se nelze vyhnout provozu elektrického nářadí ve vlhkém prostředí, použijte proudový chránič.** Použití proudového chráničce snižuje riziko zásahu elektrickým proudem.

Osobní bezpečnost

- ▶ **Buďte pozorní, dávejte pozor na to, co děláte a přistupujte k práci s elektrickým nářadím rozumně.** Nepoužívejte žádné elektrické nářadí, pokud jste unaveni nebo pod vlivem drog, alkoholu či léků. Moment nepozornosti při použití elektrického nářadí může vést k vážným poraněním.
- ▶ **Používejte ochranné osobní pomůcky. Noste ochranné brýle.** Nošení osobních ochranných pomůcek, jako je maska proti prachu, bezpečnostní obuv s protiskluzovou podrážkou, ochranná přilba nebo sluchátka, podle aktuálních podmínek, snižuje riziko poranění.
- ▶ **Zabraňte neúmyslnému uvedení do provozu. Přesvědčte se, že je elektrické nářadí vypnuté, dříve než jej uchopíte, poneseťe či připojíte na zdroj napájení a/nebo akumulátor.** Máte-li při nošení elektrického nářadí prst na spínači, nebo pokud nářadí připojíte ke zdroji napájení zapnuté, může dojít k úrazu.
- ▶ **Než elektrické nářadí zapnete, odstraňte seřizovací nástroje nebo klíče.** Nachází-li se v otáčivém dílu

elektrického nářadí nějaký nástroj nebo klíč, může dojít k poranění.

- ▶ **Nepřeceňujte své síly. Zajistěte si bezpečný postoj a udržujte vždy rovnováhu.** Tím můžete elektrické nářadí v neočekávaných situacích lépe kontrolovat.
- ▶ **Noste vhodný oděv. Nenoste volný oděv ani šperky. Vlasy a oděv udržujte v bezpečné vzdálenosti od pohybujících se dílů.** Volný oděv, šperky nebo dlouhé vlasy mohou být zachyceny pohybujícími se díly.
- ▶ **Lze-li namontovat odsávací či zachycující přípravky, přesvědčte se, že jsou připojeny a správně použity.** Odsávání prachu může snížit ohrožení prachem.
- ▶ **Dbejte na to, abyste při častém používání nářadí nebyli méně ostražití a nezapomínali na bezpečnostní zásady.** Nedbalé ovládání může způsobit těžké poranění za zlomek sekundy.

Svědomité zacházení a používání elektrického nářadí

- ▶ **Elektrické nářadí nepřetěžujte. Pro svou práci použijte k tomu určené elektrické nářadí.** S vhodným elektrickým nářadím budete pracovat v dané oblasti lépe a bezpečněji.
- ▶ **Nepoužívejte elektrické nářadí, jestliže jej nelze spínačem zapnout a vypnout.** Elektrické nářadí, které nelze ovládat spínačem, je nebezpečné a musí se opravit.
- ▶ **Než provedete seřízení elektrického nářadí, výměnu příslušenství nebo nářadí odložíte, vytáhněte zástrčku ze zásuvky a/nebo odstraňte odpojitelný akumulátor.** Toto preventivní opatření zabrání neúmyslnému zapnutí elektrického nářadí.
- ▶ **Uchovávejte nepoužívané elektrické nářadí mimo dosah dětí. Nenechte nářadí používat osoby, které s ním nejsou seznámeny nebo nečetly tyto pokyny.** Elektrické nářadí je nebezpečné, je-li používáno nezkušenými osobami.
- ▶ **Pečujte o elektrické nářadí a příslušenství svědomitě. Zkontrolujte, zda pohyblivé díly nářadí bezvadně fungují a nevzpříčují se, zda díly nejsou zlomené nebo poškozené tak, že by ovlivňovaly funkce elektrického nářadí. Poškozené díly nechte před použitím elektrického nářadí opravit.** Mnoho úrazů má příčinu ve špatně udržovaném elektrickém nářadí.
- ▶ **Řezné nástroje udržujte ostré a čisté.** Pečlivě ošetřované řezné nástroje s ostrými řeznými hranami se méně vzpříčují a dají se snáze vést.
- ▶ **Používejte elektrické nářadí, příslušenství, nástroje apod. podle těchto pokynů. Respektujte přitom pracovní podmínky a prováděnou činnost.** Použití elektrického nářadí pro jiné než určené použití může vést k nebezpečným situacím.
- ▶ **Udržujte rukojeti a úchopové plochy suché, čisté a bez oleje a maziva.** Kluzké rukojeti a úchopové plochy neumožňují bezpečnou manipulaci a ovládání nářadí v neočekávaných situacích.

Použití a péče o akumulátorové nářadí

- ▶ **Akumulátory nabíjejte pouze v nabíječce, která je doporučena výrobcem.** U nabíječky, která je vhodná pro určitý druh akumulátorů, existuje nebezpečí požáru, je-li používána s jinými akumulátory.
- ▶ **Do elektrického nářadí používejte pouze k tomu určené akumulátory.** Použití jiných akumulátorů může vést k poranění či požáru.
- ▶ **Nepoužívaný akumulátor uchovávejte v bezpečné vzdálenosti od kovových předmětů, jako jsou kancelářské sponky, mince, klíče, hřebíky, šrouby nebo jiné drobné kovové předměty, které mohou způsobit přemostění kontaktů.** Zkrat mezi kontakty akumulátoru může mít za následek popáleniny nebo požár.
- ▶ **Při nesprávném použití může z akumulátoru vytéci kapalina. Nedotýkejte se jí. Při náhodném kontaktu opláchněte místo vodou. Pokud kapalina vnikne do očí, navštivte lékaře.** Kapalina vytékající z akumulátoru může způsobit podráždění pokožky nebo popáleniny.
- ▶ **Nepoužívejte akumulátor nebo nářadí, které je poškozené či upravené.** Poškozené nebo upravené akumulátory se mohou chovat nepředvídaně a způsobit požár, výbuch či poranění.
- ▶ **Nevystavujte akumulátor nebo nářadí ohni či nadměrné teplotě.** Vystavení ohni nebo teplotě nad 130 °C může způsobit výbuch.
- ▶ **Dodržujte všechny pokyny pro nabíjení a nenabíjejte akumulátor nebo nářadí mimo teplotní rozsah uvedený v pokynech.** Nesprávné nabíjení nebo nabíjení při teplotách mimo uvedený rozsah může poškodit akumulátor a zvýšit riziko požáru.

Servis

- ▶ **Nechte své elektrické nářadí opravit pouze kvalifikovaným odborným personálem a pouze s originálními náhradními díly.** Tím bude zajištěno, že bezpečnost elektrického nářadí zůstane zachována.
- ▶ **Nikdy neprovádějte servis poškozených akumulátorů.** Servis akumulátorů by měl provádět pouze výrobce nebo autorizovaná opravna.

Bezpečnostní varování pro vrtačky

Bezpečnostní pokyny pro všechny operace

- ▶ **Při vrtání s přiklepem noste chrániče sluchu.** Vystavení hluku může způsobit ztrátu sluchu.
- ▶ **Provádíte-li operaci, při které se může obráběcí příslušenství nebo spojovací prvky dostat do kontaktu se skrytou elektroinstalací, držte elektrické nářadí za izolované uchopovací plochy.** Obráběcí příslušenství nebo spojovací materiál, které se dostane do kontaktu s vodičem pod napětím, může svými nechráněnými kovovými částmi vést elektrický proud a způsobit úraz obsluhy.

Bezpečnostní pokyny pro použití dlouhých vrtáků

- ▶ **Nikdy nepracujte při rychlosti vyšší, než je maximální jmenovitá rychlost vrtáku.** Při vyšších rychlostech může dojít k ohnutí vrtáku, který se otáčí volně bez kontaktu s obrobkem, a k následnému zranění.
- ▶ **Vždy začínejte vrtat při nižších rychlostech a hrot vrtáku držte v kontaktu s obrobkem.** Při vyšších rychlostech může dojít k ohnutí vrtáku, který se otáčí volně bez kontaktu s obrobkem, a k následnému zranění.
- ▶ **Tlak vyvíjejte pouze v rovině s vrtákem a používejte přiměřenou sílu.** Může dojít k ohnutí vrtáku a jeho zlomení nebo ke ztrátě kontroly a k následnému zranění.

Dodatečné bezpečnostní pokyny

- ▶ **Když se nástroj zablokuje, elektronářadí ihned vypněte. Buďte připraveni na velké reakční momenty, které způsobují zpětný ráz.** Nástroj se zablokuje, když je elektrické nářadí přetížené nebo když se vzpříčí v obráběném materiálu.
- ▶ **Elektronářadí držte pevně.** Při utahování a povolování šroubů mohou vzniknout vysoké reakční momenty.
- ▶ **Zajistěte obrobek.** Obrobek pevně uchycený upínacím přípravkem nebo svěrákem je upevněný bezpečněji, než kdybyste ho drželi v ruce.
- ▶ **Použijte vhodné detekční přístroje na vyhledání skrytých rozvodných vedení nebo kontaktujte místní dodavatelskou společnost.** Kontakt s elektrickým vedením může vést k požáru a zásahu elektrickým proudem. Poškození vedení plynu může vést k výbuchu. Proniknutí do vodovodního potrubí způsobí věčné škody.
- ▶ **Než elektronářadí odložíte, počkejte, dokud se nezastaví.** Nasazovací nástroj se může vzpříčit a vést ke ztrátě kontroly nad elektronářadím.
- ▶ **Při poškození a nesprávném použití akumulátoru mohou unikat výpary. Akumulátor může začít hořet nebo může vybuchnout.** Zajistěte přívod čerstvého vzduchu a při potížích vyhledejte lékaře. Výpary mohou dráždit dýchací cesty.
- ▶ **Neupravujte a neotvírejte akumulátor.** Hrozí nebezpečí zkratu.
- ▶ **Špičatými předměty, jako např. hřebíky nebo šroubováky, nebo působením vnější síly může dojít k poškození akumulátoru.** Uvnitř může dojít ke zkratu a akumulátor může začít hořet, může z něj unikat kouř, může vybuchnout nebo se přehřát.
- ▶ **Akumulátor používejte pouze v produktech výrobce.** Jen tak bude akumulátor chráněn před nebezpečným přetížením.



Chraňte akumulátor před horkem, např. i před trvalým slunečním zářením, ohněm, nečistotami, vodou a vlhkostí. Hrozí nebezpečí výbuchu a zkratu.



Popis výrobku a výkonu



Přečtěte si všechna bezpečnostní upozornění a všechny pokyny. Nedodržování bezpečnostních upozornění a pokynů může mít za následek úraz elektrickým proudem, požár a/nebo těžká poranění.

Řiďte se obrázky v přední části návodu k obsluze.

Použití v souladu s určeným účelem

Elektrické nářadí je určené k zašroubování a povolování šroubů a dále k vrtání do dřeva, kovu, keramiky a plastu a k vrtání s příklepem do cihel, zdiva a kamene.

Zobrazené součásti

Číslování zobrazených součástí se vztahuje k vyobrazení elektrického nářadí na straně s obrázky.

- (1) Upínání nástroje
 - (2) Rychloupínací sklíčidlo
 - (3) Nastavovací kroužek předvolby krouticího momentu
 - (4) Nastavovací kroužek předvolby druhu provozu
 - (5) Volič stupňů
 - (6) Akumulátor^{a)}
 - (7) Odjišťovací tlačítko akumulátoru^{a)}
 - (8) Pracovní světlo (LED)
 - (9) Přepínač směru otáčení
 - (10) Vypínač
 - (11) Rukojeť (izolovaná plocha pro uchopení)
 - (12) Šroubovací bit^{a)}
 - (13) Univerzální držák bitů^{a)}
- a) **Toto příslušenství nepatří do standardního obsahu dodávky.**

Technické údaje

Akumulátorová příklepová vrtačka		GSB 183-LI
Číslo výrobku		3 601 JK9 1..
Jmenovité napětí	V=	18
Otáčky naprázdno ^{A)B)}		
- 1. stupeň	ot/min	0–440
- 2. stupeň	ot/min	0–1 650
Max. krouticí moment tuhý/ měkký šroubový spoj ^{A)B)}	Nm	56/21
Počet příklepů ^{A)B)}	min ⁻¹	24 000
Max. Ø vrtání		
- Zdivo	mm	10
- Ocel	mm	10
- Dřevo	mm	35
Rozsah upnutí sklíčidla	mm	13
Max. Ø šroubů	mm	10

Akumulátorová příklepová vrtačka		GSB 183-LI
Hmotnost ^{B)}	kg	1,6 (2,0 Ah) – 2,6 (12,0 Ah)
Doporučená teplota prostředí při nabíjení	°C	0 až +35
Dovolená teplota prostředí při provozu ^{C)} a při skladování	°C	-20 až +50
Doporučené akumulátory		GBA 18V... ProCORE18V...
Doporučené nabíječky		GAL 18... GAX 18... GAL 36...

A) Měřeno při 20–25 °C s akumulátorem **GBA 18V 2.0Ah**.

B) V závislosti na použitém akumulátoru

C) Omezený výkon při teplotách < 0 °C

Hodnoty se mohou podle výrobku lišit a mají na ně vliv podmínky použití a prostředí. Další informace najdete na www.bosch-professional.com/wac.

Informace o hluku a vibracích

Hodnoty hlučnosti zjištěné podle **EN 62841-2-1**.

Hladina hluku elektrického nářadí stanovená za použití váhového filtru A činí typicky: Hladina akustického tlaku **86 dB(A)**; hladina akustického výkonu **94 dB(A)**. Nejistota K = **5 dB**.

Noste chrániče sluchu!

Celkové hodnoty vibrací a_{hv} (součet vektorů tří os) a nejistota K zjištěné podle **EN 62841-2-1**:

Vrtání do kovu: $a_{hv} = 1,0 \text{ m/s}^2$, K = **1,5** m/s^2

Vrtání s příklepem do betonu: $a_{hv} = 12,8 \text{ m/s}^2$, K = **1,5** m/s^2

Úroveň vibrací a úroveň hluku, které jsou uvedené v těchto pokynech, byly změřeny pomocí normované měřicí metody a lze je použít pro vzájemně porovnatelné elektronářadí. Hodí se i pro předběžný odhad zatížení vibracemi a hlukem.

Uvedená úroveň vibrací a úroveň hluku reprezentuje hlavní použití elektronářadí. Pokud se ovšem bude elektronářadí používat pro jiné práce, s jinými nástroji nebo s nedostatečnou údržbou, může se úroveň hluku a úroveň vibrací lišit. To může zatížení vibracemi a hlukem po celou pracovní dobu zřetelně zvýšit.

Pro přesný odhad zatížení vibracemi a hlukem by měly být zohledněny i doby, kdy je nářadí vypnuté nebo běží, ale ve skutečnosti se nepoužívá. To může zatížení vibracemi a hlukem po celou pracovní dobu výrazně snížit.

Stanovte dodatečná bezpečnostní opatření k ochraně obsluhy před účinky vibrací, jako je např. údržba elektronářadí a nástrojů, udržování teplých rukou, organizace pracovních procesů.

Montáž

- **Před každou prací na elektrickém nářadí (např. údržba, výměna nástroje atd.) z něj vyjměte akumulátor.** Při neúmyslném stisknutí vypínače hrozí nebezpečí poranění.

Nabíjení akumulátoru

- **Používejte pouze nabíječky uvedené v technických údajích.** Jen tyto nabíječky jsou přizpůsobené pro lithium-iontový akumulátor používaný s vašim elektronářadím.

Upozornění: Akumulátor se dodává částečně nabíý. Aby byl zaručen plný výkon akumulátoru, před prvním použitím akumulátor úplně nabijte v nabíječce.

Lithium-iontový akumulátor lze nabíjet kdykoli, aniž by se tím zkrátila životnost. Přerušení procesu nabíjení nepoškozuje akumulátor.

Lithium-iontový akumulátor je díky „Electronic Cell Protection (ECP)“ chráněn proti hlubokému vybití. Při vybitém akumulátoru ochranná funkce vypne elektrické nářadí: Nástroj se již nepohybuje.

- **Po automatickém vypnutí elektronářadí už nestiskávejte vypínač.** Akumulátor se může poškodit.

Dodržujte pokyny pro likvidaci.

Vyjmutí akumulátoru

Akumulátor (6) je opatřen dvěma stupni zajištění, které mají zabránit vypadnutí akumulátoru při neúmyslném stisknutí odjišťovacího tlačítka (7). Pokud je akumulátor nasazený do elektronářadí, je držen ve své poloze pružinou. Pro vyjmutí akumulátoru (6) stiskněte odjišťovací tlačítko (7) a akumulátor vytáhněte z elektronářadí. **Nepoužívejte přitom násilí.**

Výměna nástroje (viz obrázek A)

- **Před každou prací na elektrickém nářadí (např. údržba, výměna nástroje atd.) z něj vyjměte akumulátor.** Při neúmyslném stisknutí vypínače hrozí nebezpečí poranění.

Při nestisknutém vypínači (10) je vřeteno zaaretované. To umožňuje rychlou, pohodlnou a jednoduchou výměnu nástroje ve sklíčidle.

Otevřete rychloupínací sklíčidlo (2) otáčením ve směru ➊ tak, aby bylo možné nasadit nástroj. Nasadte nástroj. Rukou silně utáhněte objímku rychloupínacího sklíčidla (2) ve směru ➋. Sklíčidlo se tím automaticky zajistí.

Odsávání prachu/trěsek

Prach z materiálů, jako jsou nátěry s obsahem olova, některé druhy dřeva, minerály a kov, může být zdraví škodlivý. Kontakt s prachem či vdechnutí mohou vyvolat alergické reakce a/nebo onemocnění dýchacích cest obsluhy nebo v blízkosti se nacházejících osob.

Určitý prach, jako dubový nebo bukový prach, je pokládán za karcinogenní, zvláště ve spojení s přídavnými látkami pro ošetření dřeva (chromát, ochranné prostředky na dřevo). Materiál obsahující azbest směřjí opracovávat pouze specialisté.

- Zajistěte dobré větrání pracoviště.
- Je doporučeno nosit ochrannou dýchací masku s třídou filtru P2.

Dodržujte předpisy pro obráběné materiály platné v příslušné zemi.

- **Zabraňte hromadění prachu na pracovišti.** Prach se může lehce vznítit.

Provoz

Uvedení do provozu

Nasazení akumulátoru

Upozornění: Používání akumulátorů, které nejsou vhodné pro vaše elektronářadí, může vést k nesprávným funkcím nebo k poškození elektronářadí.

Zasuňte nabitý akumulátor (6) zepředu do paty elektronářadí tak, aby byl akumulátor bezpečně zajištěný.

Nastavení směru otáčení (viz obrázek B)

- **Přepínač směru otáčení (9) používejte pouze tehdy, když je elektronářadí zastavené.**

Pomocí přepínače směru otáčení (9) můžete změnit směr otáčení elektronářadí. Při stisknutí vypínači (10) to ale není možné.

Chod vpravo: Pro vrtání a zašroubování šroubů stiskněte přepínač směru otáčení (9) až nadoraz doleva.

Chod vlevo: Pro povolování, resp. vyšroubování šroubů a matic stiskněte přepínač směru otáčení (9) až na doraz doprava.

Nastavení druhu provozu



Vrtání

Nastavte nastavovací kroužek předvolby druhu provozu (4) na symbol „vrtání“ pro dosažení maximálního krouticího momentu pro vrtání a šroubování.



Šroubování

Nastavte nastavovací kroužek předvolby druhu provozu (4) na symbol „šroubování“.

Nastavte nastavovací kroužek předvolby krouticího momentu (3) na požadovaný krouticí moment.



Vrtání s přiklepem

Nastavte nastavovací kroužek předvolby druhu provozu (4) na symbol „vrtání s přiklepem“.

Zapnutí a vypnutí

Pro **zapnutí** elektronářadí stiskněte vypínač (10) a držte ho stisknutý.

LED (8) svítí při mírné nebo úplně stisknutém vypínači (10) a umožňuje osvětlení pracovního prostoru při nepříznivých světelných podmínkách.

Pro **vypnutí** elektronářadí vypínač (10) uvolněte.

LED pracovní světlo s ukazatelem stavu



LED pracovní světlo (8) se používá jako ukazatel stavu pro ochranu nářadí a jako ukazatel nízkého stavu nabití akumulátoru:

Stav LED	Popis
3× bliká při provozu	Nízký stav nabití akumulátoru. Napětí akumulátoru kleslo pod optimální hodnotu. Výkon nářadí je omezený.
3× bliká po zastavení	Je aktivní ochrana nářadí. Aktivovala se ochrana nářadí kvůli ochraně akumulátoru před vysokou spotřebou proudu a nářadí před poškozením.

- Pokud je akumulátor málo nabitý, nabijte akumulátor (6) nebo málo nabitý akumulátor vyměňte za úplně nabitý.

Nastavení otáček

Otáčky zapnutého elektronářadí můžete plynule regulovat tím, jak moc stisknete vypínač (10).

Mírným stisknutím vypínače (10) dosáhnete nízkých otáček. S rostoucím tlakem se počet otáček zvyšuje.

Předvolba krouticího momentu (platí pro druh provozu šroubování)

Pomocí nastavovacího kroužku předvolby krouticího momentu (3) můžete ve 20 stupních předvolit potřebný krouticí moment. Jakmile se dosáhne nastaveného krouticího momentu, nástroj se zastaví.

Mechanická volba stupně

- **Volič stupňů (5) používejte pouze tehdy, když je elektrické nářadí zastavené.**

1. stupeň:

Rozsah nízkých otáček; pro práce s velkým průměrem vrtání nebo pro šroubování.

2. stupeň:

Rozsah vysokých otáček; pro práce s malým průměrem vrtání.

- **Přepínač stupňů posuňte vždy až nadoraz.** Jinak se může elektronářadí poškodit.

Ochrana proti přetížení závislá na teplotě

Pokud se nářadí používá v souladu s určeným účelem, nemůže dojít k jeho přetížení. Při příliš velkém zatížení nebo překročení přípustného rozsahu teploty akumulátoru se elektrické nářadí vypne a LED na elektrickém nářadí bliká. Než budete pokračovat v práci, nechte elektrické nářadí vychladnout.

Plně automatická aretace vřetena (Auto-Lock)

Když není stisknutý vypínač (10) je vřeteno a tedy upínání nástroje (1) zaaretované.

To umožňuje zašroubování šroubů i při vybitém akumulátoru (6), popř. použití elektrického nářadí jako šroubováku.

Pracovní pokyny

► Elektronářadí nasazujte na šroub pouze vypnuté.

Otáčející se nástroje mohou sklouznout.

Před zašroubováním větších, delších šroubů do tvrdých materiálů byste měli předvrtat otvor s průměrem jádra závitů do zhruba 2/3 délky šroubu.

Pro odstranění šroubovacího bitu nebo univerzálního držáku bitů se smí použít pomocný nástroj.

Údržba a servis

Údržba a čištění

- **Před každou prací na elektrickém nářadí (např. údržba, výměna nástroje atd.) z něj vyjměte akumulátor.** Při neúmyslném stisknutí vypínače hrozí nebezpečí poranění.
- **Udržujte elektronářadí a větrací otvory čisté, aby se pracovalo dobře a bezpečně.**

Zákaznická služba a poradenství ohledně použití

Zákaznická služba zodpoví Vaše dotazy k opravě a údržbě Vašeho výrobku a též k náhradním dílům. Explodované výkresy a informace k náhradním dílům naleznete i na:

www.bosch-pt.com

Poradenský tým Bosch vám ochotně pomůže v případě otázek k našim výrobkům a jejich příslušenství.

U všech dotazů a objednávek náhradních dílů nezbytně prosím uvádějte 10-místné objednávací číslo podle typového štítku výrobku.

Czech Republic

Robert Bosch odbytová s.r.o.

Bosch Service Center PT

K Vápence 1621/16

692 01 Mikulov

Na www.bosch-pt.cz si si můžete objednat opravu Vašeho stroje nebo náhradní díly online.

Tel.: +420 519 305700

Fax: +420 519 305705

E-Mail: servis.naradi@cz.bosch.com

www.bosch-pt.cz

Další servisní adresy naleznete na:

www.bosch-pt.com/serviceaddresses

Přeprava

Doporučené lithium-iontové akumulátory podléhají požadavkům zákona o nebezpečných látkách. Tyto akumulátory mohou být bez dalších podmínek přepravovány uživatelem po silnici.

Při zasílání prostřednictvím třetí osoby (např.: letecká přeprava nebo spedice) je třeba brát zřetel na zvláštní požadavky na balení a označení. Zde musí být při přípravě zásilky přizván expert na nebezpečné látky.

Akumulátory zasílejte pouze tehdy, pokud je těleso nepoškozené. Otevřené kontakty přelepte lepicí páskou a

akumulátor zabalte tak, aby se v obalu nemohl pohybovat. Dodržujte prosím také případné další národní předpisy.

Likvidace



Elektronářadí, akumulátory, příslušenství a obaly se musí odevzdat k ekologické recyklaci.



Elektronářadí a akumulátory/baterie nevyhazujte do domovního odpadu!

Pouze pro země EU:

Již nepoužitelná elektrická nářadí a vadné nebo vybité akumulátory/baterie se musí likvidovat ve tříděném odpadu. Použijte určená sběrná místa.

Při nesprávné likvidaci mohou mít stará elektrická a elektronická zařízení z důvodu možné přítomnosti nebezpečných látek škodlivé účinky na životní prostředí a lidské zdraví.

Akumulátory/baterie:

Lithium-iontové:

Dodržujte pokyny uvedené v části Přeprava (viz „Přeprava“, Stránka 40).

Slovenčina

Bezpečnostné upozornenia

Všeobecné bezpečnostné upozornenia pre elektrické náradie

⚠ VÝSTRAHA Prečítajte si všetky bezpečnostné upozornenia, pokyny, ilustrácie a špecifikácie dodané s týmto elektrickým náradím.

Nedodrievanie všetkých uvedených pokynov môže mať za následok úraz elektrickým prúdom, požiar a/alebo ťažké poranenie.

Tieto výstražné upozornenia a bezpečnostné pokyny starostlivo uschovajte na budúce použitie.

Pojem „elektrické náradie“ používaný v nasledujúcom texte sa vzťahuje na elektrické náradie napájané zo siete (s prívodnou šnúrou) a na elektrické náradie napájané akumulátorovou batériou (bez prívodnej šnúry).

Bezpečnosť na pracovisku

► Pracovisko vždy udržiavajte čisté a dobre osvetlené.

Neoporiadok a neosvetlené priestory pracoviska môžu mať za následok pracovné úrazy.

- **Nepoužívajte elektrické náradie vo výbušnom prostredí, napr. tam, kde sa nachádzajú horľavé kvapaliny, plyny alebo horľavý prach.** Ručné elektrické náradie vytvára iskry, ktoré by mohli zapáliť prach alebo výpary.

- ▶ **Nedovoľte deťom a iným nepovolánym osobám, aby sa počas používania elektrického náradia zdržiavali v blízkosti pracoviska.** Pri rozptyľovaní môžete stratiť kontrolu nad náradím.

Bezpečnosť na pracovisku

- ▶ **Zástrčka prívodnej šnúry elektrického náradia musí zodpovedať použitej zásuvke. V žiadnom prípade nijako nemeňte zástrčku. S uzemneným elektrickým náradím nepoužívajte ani žiadne zástrčkové adaptéry.** Neupravené zástrčky a vhodné zásuvky znižujú riziko úrazu elektrickým prúdom.
- ▶ **Vyhýbajte sa telesnému kontaktu s uzemnenými povrchovými plochami, ako sú napr. potrubia, vykurovacie telesá, sporáky a chladničky.** Ak je vaše telo uzemnené, hrozí zvýšené riziko úrazu elektrickým prúdom.
- ▶ **Nevystavujte elektrické náradie dažďu ani vlhkosti.** Vniknutie vody do ručného elektrického náradia zvyšuje riziko úrazu elektrickým prúdom.
- ▶ **Nepoužívajte prívodnú šnúru na iné než určené účely: na nosenie ručného elektrického náradia, ani na jeho zavesenie a zástrčku nevyberajte zo zásuvky ťahaním za prívodnú šnúru. Udržujte sieťovú šnúru mimo dosahu horúcich telies, oleja, ostrých hrán alebo pohybujúcich sa súčastí.** Poškodené alebo zauzlené prívodné šnúry zvyšujú riziko úrazu elektrickým prúdom.
- ▶ **Keď pracujete s elektrickým náradím vonku, používajte len také predlžovacie káble, ktoré sú schválené aj na používanie vo vonkajších priestoroch.** Použitie predlžovacieho kábla, ktorý je vhodný na používanie vo vonkajšom prostredí, znižuje riziko úrazu elektrickým prúdom.
- ▶ **Ak sa nedá vyhnúť použitiu elektrického náradia vo vlhkom prostredí, použite ochranný spínač pri poruchových prúdoch.** Použitie ochranného spínača pri poruchových prúdoch znižuje riziko úrazu elektrickým prúdom.

Bezpečnosť osôb

- ▶ **Buďte ostražití, sústreďte sa na to, čo robíte, a s elektrickým náradím pracujte uvážlivo. Nepracujte s elektrickým náradím, ak ste unavení alebo ak ste pod vplyvom drog, alkoholu alebo liekov.** Krátka nepozornosť pri používaní elektrického náradia môže mať za následok vážne poranenia.
- ▶ **Používajte osobné ochranné prostriedky. Vždy používajte ochranné okuliare.** Používanie osobných ochranných prostriedkov, ako je ochranná dýchacia maska, bezpečnostná pracovná obuv, ochranná prilba alebo chrániče sluchu, podľa druhu elektrického náradia a spôsobu jeho použitia znižuje riziko zranenia.
- ▶ **Vyhýbajte sa neúmyselnému uvedeniu elektrického náradia do činnosti. Pred zasunutím zástrčky do zásuvky a/alebo pred pripojením akumulátora, pred chytením alebo prenášaním elektrického náradia sa vždy presvedčte, či je elektrické náradie vypnuté.** Prenášanie elektrického náradia so zapnutým vypínačom alebo

pripojenie zapnutého elektrického náradia k elektrickej sieti môže mať za následok nehodu.

- ▶ **Kým zapnete elektrické náradie, odstráňte z neho nastavovacie pomôcky alebo kľúče na skrutky.** Nastavovací nástroj alebo kľúč, ktorý sa nachádza v rotujúcej časti elektrického náradia, môže spôsobiť vážne poranenia osôb.
- ▶ **Vyhýbajte sa abnormálnym polohám tela. Dbajte na pevný postoj a neustále udržiavajte rovnováhu.** Takto budete môcť lepšie kontrolovať ručné elektrické náradie v neočakávaných situáciách.
- ▶ **Pri práci noste vhodný pracovný odev. Nenoste voľné odevy ani šperky.** Dbajte, aby sa vlasy, odev a rukavice nedostali do blízkosti pohyblivých súčastí. Voľný odev, dlhé vlasy alebo šperky sa môžu zachytiť do rotujúcich častí elektrického náradia.
- ▶ **Ak sa dá na ručné elektrické náradie namontovať odsávacie zariadenie a zariadenie na zachytávanie prachu, presvedčte sa, či sú dobre pripojené a správne používané.** Používanie odsávacieho zariadenia a zariadenia na zachytávanie prachu znižuje riziko ohrozenia zdravia prachom.
- ▶ **Dbajte, aby ste pri rutinnom používaní náradia nekonalí v rozpore s princípmi jeho bezpečného používania.** Nepozorná práca môže viesť v okamihu k ťažkému zraneniu.

Starostlivé používanie elektrického náradia

- ▶ **Nikdy nepreťažujte elektrické náradie. Používajte elektrické náradie vhodné na daný druh práce.** S vhodným ručným elektrickým náradím budete pracovať lepšie a bezpečnejšie v uvedenom rozsahu výkonu náradia.
- ▶ **Nepoužívajte elektrické náradie, ktoré má pokazený vypínač.** Náradie, ktoré sa už nedá zapnúť alebo vypnúť, je nebezpečné a treba ho zveriť do opravy odborníkovi.
- ▶ **Než začnete náradie nastavovať alebo prestavovať, vymieňať príslušenstvo alebo kým ho odložíte, vždy vytiahnite zástrčku sieťovej šnúry zo zásuvky a/alebo odoberte akumulátor, ak je to možné.** Toto preventívne opatrenie zabraňuje neúmyselnému spusteniu elektrického náradia.
- ▶ **Nepoužívané elektrické náradie uschovávajte tak, aby bolo mimo dosahu detí. Nedovoľte používať toto náradie osobám, ktoré s ním nie sú dôverne oboznámené alebo ktoré si neprečítali tieto pokyny.** Elektrické náradie je nebezpečné, ak ho používajú neskúsené osoby.
- ▶ **Elektrické náradie a príslušenstvo starostlivo ošetrujte. Kontrolujte, či pohyblivé súčiastky bezchybne fungujú alebo či nie sú blokované, zlomené alebo poškodené, čo by mohlo negatívne ovplyvniť správne fungovanie elektrického náradia. Pred použitím náradia dajte poškodené súčiastky vymeniť.** Veľa nehôd je spôsobených nedostatočnou údržbou elektrického náradia.
- ▶ **Rezné nástroje udržiavajte ostré a čisté.** Starostlivo ošetrované rezné nástroje s ostrými reznými hranami

majú menšiu tendenciu zablokovať sa a ľahšie sa dajú viesť.

- ▶ **Používajte elektrické náradie, príslušenstvo, nastavovacie nástroje a pod. podľa týchto výstražných upozornení a bezpečnostných pokynov. Pri práci zohľadnite konkrétne pracovné podmienky a činnosť, ktorú budete vykonávať.** Používanie elektrického náradia na iný než predpokladaný účel môže viesť k nebezpečným situáciám.
- ▶ **Rukováti a úchopové povrchy udržiajte suché, čisté a bez oleja alebo mazacieho tuku.** Šmyklavé rukováti a úchopové povrchy neumožňujú bezpečnú manipuláciu a ovládanie náradia v neočakávaných situáciách.

Starostlivé používanie akumulátorového náradia

- ▶ **Akumulátory nabíjajte len v nabíjačkách, ktoré odporúča výrobca akumulátora.** Ak sa používa nabíjačka určená na nabíjanie iného typu akumulátorov, hrozí nebezpečenstvo požiaru.
- ▶ **Do elektrického náradia používajte len špecificky určené akumulátory.** Používanie iných akumulátorov môže mať za následok poranenie a nebezpečenstvo požiaru.
- ▶ **Nepoužívané akumulátory uschovávajte tak, aby sa nemohli dostať do styku s kancelárskymi sponkami, mincami, kľúčmi, klincami, skrutkami alebo s inými drobnými kovovými predmetmi, ktoré by mohli spôsobiť skratovanie kontaktov.** Skrat medzi kontaktmi akumulátora môže mať za následok popálenie alebo vznik požiaru.
- ▶ **Z akumulátora môže pri nesprávnom používaní vytekať kvapalina. Vyhýbajte sa kontaktu s touto kvapalinou. Po náhodnom kontakte opláchnite postihnuté miesto vodou. Ak sa dostane kvapalina z akumulátora do očí, vypláchnite ich a vyhľadajte lekára.** Unikajúca kvapalina z akumulátora môže spôsobiť podráždenie pokožky alebo popálenie.
- ▶ **Nepoužívajte poškodené alebo upravované akumulátory alebo náradie.** Poškodené alebo upravované akumulátory môžu neočakávane reagovať a spôsobiť požiar, výbuch alebo zranenie.
- ▶ **Nevystavujte akumulátory alebo náradie ohňu ani vysokým teplotám.** Vystavenie ohňu alebo teplote nad 130 °C môže spôsobiť výbuch.
- ▶ **Dodržujte pokyny týkajúce sa nabíjania a akumulátory alebo náradie nenabíjajte mimo teplotného rozsahu uvedeného v pokynoch.** Nesprávne nabíjanie alebo teplo mimo špecifikovaného rozsahu môžu poškodiť akumulátor a zvýšiť riziko požiaru.

Servis

- ▶ **Elektrické náradie dávajte opravovať len kvalifikovanému personálu, ktorý používa originálne náhradné súčiastky.** Tým sa zaistí zachovanie bezpečnosti náradia.
- ▶ **Nikdy neopravujte poškodené akumulátory.** Akumulátory môže opravovať len výrobca alebo autorizovaný servis.

Bezpečnostné výstrahy pre vrtáčky

Bezpečnostné výstrahy pre všetky operácie

- ▶ **Pri vrtaní s príklepom noste chrániče sluchu.** Vystavenie hluku môže spôsobiť stratu sluchu.
- ▶ **Ak vykonávate operáciu, pri ktorej sa môže obrábacie príslušenstvo alebo spojovací materiál dostať do kontaktu so skrytou elektroinštaláciou, držte elektrické náradie za izolované uchopovacie plochy.** Rezacie príslušenstvo a spojovací materiál pri kontakte s vodičom pod napätím môže prepojiť odhalené kovové časti náradia s fázou a používateľ môže byť zasiahnutý elektrickým prúdom.

Bezpečnostné výstrahy pre dlhé vrtáky

- ▶ **Nikdy nevrťajte vyššou rýchlosťou než je maximálna menovitá rýchlosť vrtáka.** Vrták, ktorý sa voľne otáča rýchlejšie a ktorý nie je v kontakte s obrobkom, sa môže ohnúť, čo môže viesť k zraneniu osôb.
- ▶ **Vždy začínajte vrtáť pri nižšej rýchlosti a tak, aby bol hrot vrtáka v kontakte s obrobkom.** Vrták, ktorý sa voľne otáča rýchlejšie a ktorý nie je v kontakte s obrobkom, sa môže ohnúť, čo môže viesť k zraneniu osôb.
- ▶ **Vyvíjajte primeraný tlak a len v smere osi vrtáka.** Vrtáky sa môžu ohnúť a spôsobiť poškodenie alebo stratu kontroly a zranenie osôb.

Dodatočné bezpečnostné pokyny

- ▶ **Keď sa vkladací nástroj zablokuje, okamžite vypnite elektrické náradie. Pripravte sa na vysoké reakčné momenty, ktoré môžu spôsobiť spätný náraz.** Vkladací nástroj sa zablokuje pri preťažení elektrického náradia alebo spriečení opracovávaného obrobku.
- ▶ **Pri práci ručné elektrické náradie dobre držte.** Pri uťahovaní a uvoľňovaní skrutiek môžu krátkodobou vzniknúť veľké reakčné momenty.
- ▶ **Zabezpečte obrobok.** Obrobok upnutý pomocou upínacieho zariadenia alebo zveráka je bezpečnejší ako obrobok pridržiavaný rukou.
- ▶ **Používajte vhodné prístroje na vyhľadávanie skrytých elektrickým vedení a potrubí alebo sa obráťte na miestne energetické podniky.** Kontakt s elektrickým vodičom pod napätím môže spôsobiť požiar alebo mať za následok zásah elektrickým prúdom. Poškodenie plynového potrubia môže mať za následok explóziu. Preniknutie do vodovodného potrubia spôsobí vecnú škodu.
- ▶ **Počkajte na úplné zastavenie elektrického náradia, až potom ho odložte.** Vkladací nástroj sa môže zaseknúť a môže zapríčiniť stratu kontroly nad ručným elektrickým náradím.
- ▶ **Po poškodení akumulátora alebo v prípade neodborného používania môžu z akumulátora vystupovať škodlivé výpary. Akumulátor môže horieť alebo vybuchnúť.** Zabezpečte prívod čerstvého vzduchu a v prípade ťažkostí vyhľadajte lekára. Tieto výpary môžu podráždiť dýchacie cesty.
- ▶ **Akumulátor neupravujte ani ho neotvárajte.** Hrozí nebezpečenstvo skratu.

► Špicatými predmetmi, ako napr. kľince alebo skrutkovače alebo pôsobením vonkajšej sily môže dôjsť k poškodeniu akumulátora. Vo vnútri môže dôjsť ku skratu a akumulátor môže začať horieť, môže z neho unikáť dym, môže vybuchnúť alebo sa prehriať.

► Akumulátor používajte iba vo výrobkoch výrobcu. Len tak bude akumulátor chránený pred nebezpečným preťažením.



Chrňte akumulátor pred teplom, napr. aj pred trvalým slnečným žiarením, pred ohňom, špinou, vodou a vlhkosťou. Hrozí nebezpečenstvo výbuchu a skratu.



Opis výrobku a výkonu



Prečítajte si všetky bezpečnostné upozornenia a pokyny. Nedodržovanie bezpečnostných upozornení a pokynov môže zapríčiniť úraz elektrickým prúdom, požiar a/alebo ťažké poranenia.

Prosím, všimnite si obrázky v prednej časti návodu na používanie.

Používanie v súlade s určením

Toto elektrické náradie je určené na zaskrutkovanie a uvoľňovanie skrutiek, ako aj na vŕtanie do dreva, kovu, keramiky a plastov a na vŕtanie s príklepom do tehly, muriva a kameňa.

Vyobrazené komponenty

Číslovanie zobrazených komponentov sa vzťahuje na znázornenie elektrického náradia na grafickej strane.

- (1) Upínač náradia
- (2) Rýchlopínacie skľučovadlo
- (3) Nastavovacie koliesko predvolby krútiaceho momentu
- (4) Nastavovacie koliesko predvolby pracovného režimu
- (5) Prepínač rýchlostných stupňov
- (6) Akumulátor^{a)}
- (7) Tlačidlo na odistenie akumulátora^{a)}
- (8) Pracovné svetlo (LED)
- (9) Prepínač smeru otáčania
- (10) Vypínač
- (11) Rukoväť (izolovaná úchopová plocha)
- (12) Skrutkovací hrot^{a)}
- (13) Univerzálny držiak hrotov^{a)}

a) Toto príslušenstvo nepatrí do štandardného rozsahu dodávky.

Technické údaje

Akumulátorová príklepová vrtačka	GSB 183-LI
Číslo položky	3 601 JK9 1..

Akumulátorová príklepová vrtačka		GSB 183-LI
Menovité napätie	V=	18
Voľnobežné otáčky ^{A)B)}		
– 1. stupeň	ot/min	0–440
– 2. stupeň	ot/min	0–1 650
Max. krútiaci moment tvrdý/mäkký skrutkový spoj ^{A)B)}	Nm	56/21
Frekvencia príklepu ^{A)B)}	min ⁻¹	24 000
Max. Ø vrtáka		
– Murivo	mm	10
– Oceľ	mm	10
– Drevo	mm	35
Upínací rozsah skľučovadla	mm	13
Max. Ø skrutiek	mm	10
Hmotnosť ^{B)}	kg	1,6 (2,0 Ah) – 2,6 (12,0 Ah)
Odporúčaná teplota okolia pri nabíjaní	°C	0 ... +35
Povolená teplota okolia pri prevádzke ^{C)} a pri skladovaní	°C	–20 ... +50
Odporúčané akumulátory		GBA 18V... ProCORE18V...
Odporúčané nabíjačky		GAL 18... GAX 18... GAL 36...

A) Merané pri 20–25 °C s akumulátorom **GBA 18V 2.0Ah**.

B) v závislosti od použitého akumulátora

C) obmedzený výkon pri teplotách < 0 °C

Hodnoty sa môžu líšiť podľa výrobku a závisia od podmienok použitia a prostredia. Ďalšie informácie na adrese www.bosch-professional.com/wac.

Informácia o hlučnosti/vibráciách

Hodnoty emisií huku zistené podľa **EN 62841-2-1**.

Úroveň huku elektrického náradia pri použití váhového filtra A je zvyčajne: úroveň akustického tlaku **86 dB(A)**; úroveň akustického výkonu **94 dB(A)**. Neistota K = **5 dB**.

Noste prostriedky na ochranu sluchu!

Celkové hodnoty vibrácií a_n (súčet vektorov v troch smeroch) a neistota K zistená podľa **EN 62841-2-1**:

Vŕtanie do kovu: $a_n = 1,0 \text{ m/s}^2$, K = **1,5** m/s^2

Vŕtanie s príklepom do betónu: $a_n = 12,8 \text{ m/s}^2$, K = **1,5** m/s^2

Úroveň vibrácií a hodnota emisií huku uvedené v týchto pokynoch boli namerané podľa normovaného meracieho postupu a dajú sa použiť na vzájomné porovnávanie elektrického náradia. Hodia sa aj na predbežný odhad emisie vibrácií a huku.

Uvedená úroveň vibrácií a hodnota emisií huku reprezentuje hlavné spôsoby použitia elektrického náradia. Ak sa však elektrické náradie využije na iné spôsoby použitia, s odlišnými vkladacími nástrojmi alebo pri nedostatočnej údržbe, môže sa úroveň vibrácií a hodnota emisií huku odlišovať. To

môže emisiu vibrácií a hluku počas celého pracovného času výrazne zvýšiť.

Na presný odhad emisií vibrácií a hluku by sa mal zohľadniť aj čas, v priebehu ktorého je náradie vypnuté alebo síce spustené, ale v skutočnosti sa nepoužíva. To môže emisiu vibrácií a hluku počas celého pracovného času výrazne znížiť.

Na ochranu obsluhujúcej osoby pred pôsobením vibrácií určite doplnkové bezpečnostné opatrenia, ako napríklad: údržba elektrického náradia a vkladacích nástrojov, udržiavanie správnej teploty rúk, organizácia pracovných procesov.

Montáž

- **Pred vykonávaním akýchkoľvek prác na elektrickom náradí (napr. údržba, výmena nástroja atď.) vyberte z elektrického náradia akumulátor.** V prípade neúmyselného stlačenia zapínača/vypínača hrozí nebezpečenstvo poranenia.

Nabíjanie akumulátorov

- **Používajte len nabíjačky uvedené v technických údajoch.** Len tieto nabíjačky sú prispôsobené lítiovo-iónovému akumulátoru používanému vo vašom elektrickom náradí.

Upozornenie: Akumulátor sa dodáva v čiastočne nabitom stave. Aby ste zaručili plný výkon akumulátora, pred prvým použitím ho úplne nabite v nabíjačke.

Lítiovo-iónové akumulátory možno kedykoľvek dobíjať bez toho, aby to negatívne ovplyvnilo ich životnosť. Prerušenie nabíjania takýto akumulátor nepoškodzuje.

Lítiovo-iónový akumulátor je vďaka „Electronic Cell Protection (ECP)“ chránený proti hlbokému vybitiu. Keď je akumulátor vybitý, elektrické náradie sa pomocou ochranného obvodu vypne: Pracovný nástroj sa už nepohybuje.

- **Po automatickom vypnutí elektrického náradia už viac nestláčajte vypínač.** Akumulátor by sa mohol poškodiť.

Dozriavajte upozornenia týkajúce sa likvidácie.

Vyberanie akumulátora

Akumulátor (6) je vybavený dvoma blokovacími stupňami, ktoré majú zabrániť tomu, aby náhodnom neúmyselnom stlačení odistovacieho tlačidla (7) akumulátor vypadol. Kým sa akumulátor nachádza v ručnom elektrickom náradí, je pridržiavaný v správnej polohe pomocou pružiny.

Na vybratie akumulátora (6) stlačte odistovacie tlačidlo (7) a akumulátor vytiahnite z elektrického náradia. **Nepoužívajte pritom neprimeranú silu.**

Výmena nástroja (pozri obrázok A)

- **Pred vykonávaním akýchkoľvek prác na elektrickom náradí (napr. údržba, výmena nástroja atď.) vyberte z elektrického náradia akumulátor.** V prípade neúmyselného stlačenia zapínača/vypínača hrozí nebezpečenstvo poranenia.

Pri stlačení vypínača (10) sa vŕtacie vreteno zaaretuje. To umožňuje rýchlu, pohodlnú a jednoduchú výmenu pracovného nástroja v skľučovadle.

Otvorte rýchlopúlnacie skľučovadlo (2) otočením v smere otáčania ① tak, aby sa nástroj dal vložiť. Vložte pracovný nástroj.

Objímku rýchlopúlnacieho skľučovadla (2) silno zatočte rukou v smere otáčania ②. Skľučovadlo sa tým automaticky zaistí.

Odsávanie prachu a triesok

Prach z niektorých materiálov, napr. z náterov obsahujúcich olovo, z niektorých druhov dreva, minerálov a kovu môže byť zdraviu škodlivý. Kontakt s takýmto prachom alebo jeho vdychovanie môže vyvolať alergické reakcie a/alebo spôsobiť ochorenie dýchacích ciest pracovníka, prípadne osôb, ktoré sa nachádzajú v blízkosti pracoviska.

Určité druhy prachu, napr. prach z dubového alebo z bukového dreva, sa považujú za rakovinotvorné, a to predovšetkým spolu s ďalšími materiálmi, ktoré sa používajú pri spracovávaní dreva (chromitan, chemické prostriedky na ochranu dreva). Materiál, ktorý obsahuje azbest, smú opracovávať len špeciálne vyškolení pracovníci.

- Postarajte sa o dobré vetranie svojho pracoviska.
- Odporúčame používať masku na ochranu dýchacích ciest s filtrom triedy P2.

Dozriavajte aj predpisy vašej krajiny týkajúce sa obrábajúcich materiálov.

- **Zabráňte usadzovaniu a hromadeniu prachu na pracovisku.** Prach sa môže ľahko zapáliť.

Prevádzka

Uvedenie do prevádzky

Vloženie akumulátora

Upozornenie: Používanie akumulátorov, ktoré nie sú vhodné pre vaše elektrické náradie, môže viesť k chybnému fungovaniu alebo k poškodeniu elektrického náradia.

Zasuňte nabitý akumulátor (6) z prednej strany do pätky elektrického náradia tak, aby sa akumulátor spoľahlivo zaaretoval.

Smer otáčania (pozri obrázok B)

- **Prepínač smeru otáčania (9) aktivujte len na zastavenom elektrickom náradí.**

Prepínačom smeru otáčania (9) môžete meniť smer otáčania elektrického náradia. Nie je to však možné vtedy, keď je stlačený vypínač (10).

Pravobežný chod: Na vŕtanie a zaskrutkovanie skrutiek zatlačte prepínač smeru otáčania (9) doľava až na doraz.

Ľavobežný chod: Na uvoľňovanie, resp. vyskrutkovanie skrutiek a matíc stlačte prepínač smeru otáčania (9) až na doraz doprava.

Nastavenie pracovného režimu



Vrtanie

Nastavte nastavovacie koliesko predvoľby pracovného režimu **(4)** na symbol „Vrtanie“, aby ste dosiahli maximálny krútiaci moment na vrtanie a skrutkovanie.



Skrutkovanie

Nastavte nastavovacie koliesko predvoľby pracovného režimu **(4)** na symbol „Skrutkovanie“.

Nastavte nastavovacie koliesko predvoľby krútiaceho momentu **(3)** na požadovaný krútiaci moment.



Vrtanie s príklepom

Nastavte nastavovacie koliesko predvoľby pracovného režimu **(4)** na symbol „Vrtanie s príklepom“.

Zapnutie/vypnutie

Na **zapnutie** elektrického náradia stlačte vypínač **(10)** a držte ho stlačený.

LED **(8)** svieti pri mierne alebo úplne zatlačnom vypínači **(10)** a umožňuje osvetlenie pracovnej oblasti pri nepriaznivých svetelných pomeroch.

Na **vypnutie** elektrického náradia vypínač **(10)** uvoľnite.

LED pracovné svetlo so stavovou indikáciou



LED pracovné svetlo **(8)** sa tiež používa ako stavová indikácia na ochranu náradia a nízky stav nabitia akumulátora:

LED signalizácia	Opis
Blikanie 3× pri prevádzke	Nízky stav nabitia akumulátora. Akumulátor klesol pod optimálnu hodnotu napätia. Výkon náradia je obmedzený.
Blikanie 3× po zastavení	Ochrana náradia aktívna. Ochrana náradia bola aktivovaná, aby chránila akumulátor pred vysokou spotrebou prúdu a náradie pred poškodením.

– Ak je stav nabitia akumulátora nízky, nabite akumulátor **(6)** alebo vymeňte slabý akumulátor za úplne nabitý akumulátor.

Nastavenie otáčok

Otáčky zapnutého elektrického náradia môžete plynulo regulovať tým, do akej miery stláčate vypínač **(10)**.

Mierny tlak na vypínač **(10)** vyvolá nízke otáčky. Pri zvýšení tlaku sa otáčky zvýšia.

Predvoľba krútiaceho momentu (Platí pre pracovný režim skrutkovanie)

Nastavovacím kolieskom predvoľby krútiaceho momentu **(3)** môžete predvoliť potrebný krútiaci moment v 20 stupňoch.

Len čo sa dosiahne nastavený krútiaci moment, pracovný nástroj sa zastaví.

Mechanické prepínanie rýchlostných stupňov

► **Prepínač rýchlostných stupňov (5) aktivujte len pri zastavenom elektrickom náradí.**

1. stupeň:

Nízky počet otáčok; vhodný na práce s veľkým vrtacím priemerom alebo na skrutkovanie.

2. stupeň:

Vysoký rozsah otáčok; vhodný na práce s malým vrtacím priemerom.

► **Posúvajte prepínač rýchlostných stupňov vždy až na doraz.** Inak by sa mohlo ručné elektrické náradie poškodiť.

Tepelná ochrana proti preťaženiu

Pri používaní v súlade s určením nemôže dôjsť k preťaženiu náradia. Pri príliš veľkom zaťažení alebo prekročení prípustného rozsahu teploty akumulátora sa elektrické náradie vypne a LED na náradí bliká. Než budete pokračovať v práci, nechajte elektrické náradie vychladnúť.

Plnoautomatická aretácia vretena (Auto-Lock)

Pri nestlačnom vypínači **(10)** sa vrtacie vreteno, a tým aj upínanie nástroja **(1)** zaaretuje.

To umožňuje zaskrutkovanie skrutiek aj vtedy, keď je akumulátor **(6)** vybitý, alebo používanie tohto elektrického náradia ako klasického skrutkovača.

Upozornenia týkajúce sa prác

► **Na skrutku prikladajte elektrické náradie iba vo vypnutom stave.** Otáčajúce sa pracovné nástroje by sa mohli zošmyknúť.

Pred skrutkovaním väčších a dlhších skrutiek do tvrdých materiálov by ste mali vrtákom s priemerom rovným jadrú závitú skrutku predvrtáť otvor do 2/3 dĺžky skrutky.

Na odstránenie skrutkovacieho hrotu alebo univerzálneho držiaka hrotov sa smie použiť pomocný nástroj.

Údržba a servis

Údržba a čistenie

► **Pred vykonávaním akýchkoľvek prác na elektrickom náradí (napr. údržba, výmena nástroja atď.) vyberte z elektrického náradia akumulátor.** V prípade neúmyselného stlačenia zapínača/vypínača hrozí nebezpečenstvo poranenia.

► **Elektrické náradie a vetracie štrbiny udržiavajte v čistote, aby ste mohli dobre a bezpečne pracovať.**

Zákaznícka služba a poradenstvo ohľadom použitia

Servis pre zákazníkov vám odpovie na otázky týkajúce sa opravy a údržby vášho produktu, ako aj náhradných dielov. Rozložené výkresy a informácie k náhradným dielom nájdete aj na stránke: www.bosch-pt.com

Poradenský tím Bosch vám ochotne pomôže v otázkach týkajúcich sa našich produktov a ich príslušenstva.

V prípade akýchkoľvek otázok a objednávok náhradných dielov bezpodmienečne uveďte 10-miestne vecné číslo uvedené na typovom štítku produktu.

Slovakia

Na www.bosch-pt.sk si môžete objednať opravu vášho stroja alebo náhradné diely online.

Tel.: +421 2 48 703 800

Fax: +421 2 48 703 801

E-Mail: servis.naradia@sk.bosch.com

www.bosch-pt.sk

Ďalšie servisné adresy nájdete na:

www.bosch-pt.com/serviceaddresses

Preprava

Odporúčané lítiovo-iónové akumulátory podliehajú požiadavkám na prepravu nebezpečného nákladu. Tieto akumulátory smie používateľ prepravovať po cestách bez ďalších opatrení.

Pri zasielaní prostredníctvom tretích osôb (napr.: leteckou dopravou alebo prostredníctvom špedície) treba pamätať na osobitné požiadavky na obaly a označenie zásielky. V takomto prípade treba pri príprave zásielky bezpodmienečne konzultovať s expertom pre prepravu nebezpečného tovaru.

Akumulátory zasielajte iba vtedy, ak nemajú poškodený obal. Otvorené kontakty prelepte a akumulátor zabaľte tak, aby sa v obale nemohol posúvať. Dodržiavajte, prosím, aj prípadné ďalšie národné predpisy.

Likvidácia



Ručné elektrické náradie, príslušenstvo a obal treba dať na recykláciu zodpovedajúcu ochrane životného prostredia.



Neodhadzujte ručné elektrické náradie ani akumulátory/batérie do komunálneho odpadu!

Len pre krajiny EÚ:

Elektrické náradie, ktoré už nie je vhodné na používanie, a poškodené alebo použité akumulátory/batérie sa musia likvidovať oddelene. Využívajte na to určené zberné systémy. Pri nesprávnej likvidácii môžu mať staré elektrické a elektronické produkty škodlivé účinky na životné prostredie a ľudské zdravie z dôvodu možnej prítomnosti nebezpečných látok.

Akumulátory/batérie:

Li-Ion:

Dodržiujte pokyny uvedené v časti Preprava (pozri „Preprava“, Stránka 46).

Magyar

Biztonsági tájékoztató

Általános biztonsági előírások az elektromos kéziszerszámok számára

FIGYELMEZTETÉS Olvassa el valamennyi biztonsági tájékoztatót, előírást, illusztrációt és adatot, amelyet az elektromos

kéziszerszámmal együtt megkapott. Az alábbiakban felsorolt előírások betartásának elmulasztása áramütéshez, tűzhöz és/vagy súlyos testi sérülésekhez vezethet.

Kérjük a későbbi használatra gondosan őrizze meg ezeket az előírásokat.

Az alább alkalmazott "elektromos kéziszerszám" fogalom a hálózati elektromos kéziszerszámokat (hálózati csatlakozó kábellel) és az akkumulátoros elektromos kéziszerszámokat (hálózati csatlakozó kábel nélkül) foglalja magában.

Munkahelyi biztonság

- ▶ **Tartsa tisztán és jól megvilágítva a munkaterületet.** A zsúfolt vagy sötét területeken gyakrabban következnek be balesetek.
- ▶ **Ne dolgozzon a berendezéssel olyan robbanásveszélyes környezetben, ahol éghető folyadékok, gázok vagy por vannak.** Az elektromos kéziszerszámok szikrákat keltenek, amelyek a port vagy a gőzöket meggyújthatják.
- ▶ **Tartsa távol a gyerekeket és a nézelődőket, ha az elektromos kéziszerszámot használja.** Ha elvonják a figyelmét, elvesztheti az uralmát a berendezés felett.

Elektromos biztonsági előírások

- ▶ **A készülék csatlakozó dugójának bele kell illeszkednie a dugaszolóaljzatba. A csatlakozó dugót semmilyen módon sem szabad megváltoztatni. Védőföldeléssel ellátott készülékek esetében ne használjon csatlakozó adaptert.** A változtatás nélküli csatlakozó dugók és a megfelelő dugaszoló aljzatok csökkentik az áramütés kockázatát.
- ▶ **Kerülje el a földelt felületekkel való érintkezést, mint például csövek, fűtőtestek, kályhák és hűtőgépek.** Az áramütés veszélye megnövekszik, ha a teste földelve van.
- ▶ **Tartsa távol az elektromos kéziszerszámot az esőtől és a nedvességtől.** Ha víz jut be egy elektromos kéziszerszámba, az megnöveli az áramütés veszélyét.
- ▶ **Ne használja a kábelt a rendeltetésétől eltérő célokra. Sohase vigye vagy húzza az elektromos kéziszerszámot a kábelnél fogva, valamint sose húzza ki a csatlakozót a kábelnél fogva a dugaszoló aljzattól. Tartsa távol a kábelt hőforrásoktól, olajtól, éles sarkoktól és élektől, valamint mozgógépalkatrészekről.** A megrongálódott vagy csomókkal teli kábel megnöveli az áramütés veszélyét.

- ▶ **Ha egy elektromos kéziszerszámmal a szabadban dolgozik, csak kültéri hosszabbítót használjon.** A kültéri hosszabbító használata csökkenti az áramütés veszélyét.
- ▶ **Ha nem lehet elkerülni az elektromos kéziszerszám nedves környezetben való használatát, alkalmazzon egy hibaáram-védőkapcsolót.** A hibaáram-védőkapcsoló alkalmazása csökkenti az áramütés kockázatát.

Személyi biztonság

- ▶ **Munka közben mindig figyeljen, ügyeljen arra, amit csinál és megfontoltan dolgozzon az elektromos kéziszerszámmal. Ne használja a berendezést ha fáradt vagy kábítószert, alkohol vagy gyógyszer hatása alatt áll.** Egy pillanatnyi figyelmetlenség a szerszám használata közben komoly sérülésekhez vezethet.
- ▶ **Viseljen védőfelszerelést. Viseljen mindig védőszemüveget.** A védőfelszerelések, mint a porvédő álarc, csúszásbiztos védőcipő, védősapka és fülvédő megfelelő használata csökkenti a személyi sérülések kockázatát.
- ▶ **Kerülje el a készülék akaratlan üzembe helyezését. Győződjön meg arról, hogy az elektromos kéziszerszám ki van kapcsolva, mielőtt beköti az áramforrást és/vagy az akkumulátort, valamint mielőtt felemelné és vinni kezdené az elektromos kéziszerszámot.** Ha az elektromos kéziszerszám felemelése közben az újjat a kapcsolón tartja, vagy ha a készüléket bekapcsolt állapotban csatlakoztatja az áramforráshoz, az baleset vezethet.
- ▶ **Az elektromos kéziszerszám bekapcsolása előtt okvetlenül távolítsa el a beállítószerszámokat vagy csavarulcsokat.** Az elektromos kéziszerszám forgó részeiben felejtett beállítószerszám vagy csavarulcs sérüléseket okozhat.
- ▶ **Ne becsülje túl önmagát. Ügyeljen arra, hogy mindig biztosan álljon és az egyensúlyát megtartsa.** Így az elektromos kéziszerszám felett váratlan helyzetekben is jobban tud uralkodni.
- ▶ **Viseljen megfelelő ruházatot. Ne viseljen bő ruhát vagy ékszereket. Tartsa távol a haját és a ruháját a mozgó részekről.** A bő ruhát, az ékszereket és a hosszú haját a szerszám mozgó részei magukkal rántathatják.
- ▶ **Ha az elektromos kéziszerszámra fel lehet szerelni a por elszívásához és összegyűjtéséhez szükséges berendezéseket, ellenőrizze, hogy azok megfelelő módon hozzá vannak kapcsolva a készülékhez és rendeltetésüknek megfelelően működnek.** A porgyűjtő berendezések használata csökkenti a munka során keletkező por veszélyes hatásait.
- ▶ **Ne hagyja, hogy az elektromos kéziszerszám gyakori használata során szerzett tapasztalatok túlságosan magabiztossá tegyék, és figyelmen kívül hagyja az idevonatkozó biztonsági alapelveket.** Egy gondatlan művelet egy másodperc törtrésze alatt súlyos sérüléseket okozhat.

Az elektromos kéziszerszámok gondos kezelése és használata

- ▶ **Ne terhelje túl a berendezést. A munkájához csak az arra szolgáló elektromos kéziszerszámot használja.**

A megfelelő elektromos kéziszerszámmal a megadott teljesítménytartományon belül jobban és biztonságosabban lehet dolgozni.

- ▶ **Ne használjon olyan elektromos kéziszerszámot, amelynek a kapcsolója elromlott.** Minden olyan elektromos kéziszerszám, amelyet nem lehet sem be-, sem ki-csatlakoztatni, veszélyes és meg kell javíttatni.
- ▶ **Húzza ki a csatlakozót az áramforrásból és/vagy távolítsa el az akkumulátort (ha az leválasztható az elektromos kéziszerszámtól), mielőtt az elektromos kéziszerszámon beállítási munkákat végez, tartozékokat cserél vagy a szerszámot tárolásra elteszi.** Ez az elővigyázatossági intézkedés meggátolja a szerszám akaratlan üzembe helyezését.
- ▶ **A használaton kívüli elektromos kéziszerszámokat olyan helyen tárolja, ahol azokhoz gyermekek nem férhetnek hozzá. Ne hagyja, hogy olyan személyek használják az elektromos kéziszerszámot, akik nem ismerik a szerszámot, vagy nem olvasták el ezt az útmutatót.** Az elektromos kéziszerszámok veszélyesek, ha azokat gyakorlatlan személyek használják.
- ▶ **Tartsa megfelelően karban az elektromos kéziszerszámokat és a tartozékokat. Ellenőrizze, hogy a mozgó alkatrészek kifogástalanul működnek-e, nincsenek-e beszorulva, illetve nincsenek-e eltörve vagy megrongálódva olyan alkatrészek, amelyek hatással lehetnek az elektromos kéziszerszám működésére. A berendezés megrongálódott részeit a készülék használata előtt javíttassa meg.** Sok olyan baleset történik, amelyet az elektromos kéziszerszám nem megfelelő karbantartására lehet visszavezetni.
- ▶ **Tartsa tisztán és éles állapotban a vágószerszámokat.** Az éles vágóélekkel rendelkező, gondosan ápolat vágószerszámok ritkábban ékelődnek be és azokat könnyebben lehet vezetni és irányítani.
- ▶ **Az elektromos kéziszerszámokat, tartozékokat, szerszámhibákat stb. csak ezen kezelési utasításoknak megfelelően használja. Vigye figyelembe a munkakörülményeket valamint a kivitelezendő munka sajátosságait.** Az elektromos kéziszerszám eredeti rendeltetésétől eltérő célokra való alkalmazása veszélyes helyzeteket eredményezhet.
- ▶ **Tartsa szárazon, tisztán valamint olaj- és zsírmentes állapotban a fogantyúkat és markoló felületeket.** A csúszós fogantyúk és markoló felületek váratlan helyzetekben lehetetlenné teszik az elektromos kéziszerszám biztonságos kezelését és irányítását.

Az akkumulátoros elektromos kéziszerszámok gondos kezelése és használata

- ▶ **Az akkumulátort csak a gyártó által ajánlott töltőkészülékekkel töltsen fel.** Ha egy bizonyos akkumulátortípus feltöltésére szolgáló töltőkészülékben egy másik akkumulátort próbál feltölteni, tűz keletkezhet.
- ▶ **Az elektromos kéziszerszámhoz csak az ahhoz tartozó akkumulátort használja.** Más akkumulátorok használata személyi sérüléseket és tüzet okozhat.

- ▶ **A használaton kívüli akkumulátort tartsa távol bármely fémtárgytól, mint például irodai kapcsoktól, pénzérméktől, kulcsoktól, szögektől, csavaroktól és más kisméretű fémtárgyaktól, amelyek áthidalhatják az érintkezőket.** Az akkumulátor érintkezői közötti rövidzárlat égési sérüléseket vagy tüzet okozhat.
- ▶ **Nem megfelelő körülmények esetén az akkumulátorból folyadék léphet ki. Kerülje az érintkezést a folyadékkal. Ha véletlenül mégis érintkezésbe került a folyadékkal, azonnal öblítse le vízzel az érintett felületet. Ha a folyadék a szemébe jutott, keressen fel ezen kívül egy orvost.** Az akkumulátorból kilépő folyadék irritációkat vagy égéses bőrsérüléseket okozhat.
- ▶ **Sohase használjon egy akkumulátort vagy szerszámot, ha az megrongálódott, vagy ha változtatásokat hajtottak végre rajta.** A megrongálódott vagy megváltoztatott akkumulátorok kiszámíthatatlanul viselkedhetnek, amely tűzhöz, robbanáshoz vagy sérülésveszélyhez vezet.
- ▶ **Ne tegye ki se az akkumulátort se a szerszámot tűz, vagy extrém hőmérsékleti hatásoknak.** Ha az akkumulátort tűznek, vagy 130 °C-ot meghaladó hőmérsékletnek teszi ki, az robbanást okozhat.
- ▶ **Tartson be valamennyi töltési előírást és ne tölts fel az akkumulátort, ha annak hőmérséklete az utasításokban megadott hőmérséklet-tartományon kívül van.** Az akkumulátor nem megfelelő módon, vagy a megadott hőmérséklet-tartományon kívüli feltöltése megrongálhatja az akkumulátort és megnövelheti a tűzveszélyt.

Szerviz

- ▶ **Az elektromos kéziszerszámot csak szakképzett személyzet kizárólag eredeti pótalkatrészek felhasználásával javíthatja.** Ez biztosítja, hogy az elektromos kéziszerszám biztonságos maradjon.
- ▶ **Sohase szervizeljen megrongálódott akkumulátort.** Az akkumulátort csak a gyártónak, vagy az erre feljogosított szolgáltatóknak szabad szervizelniük.

Biztonsági figyelmeztetések fűrókhoz

Biztonsági figyelmeztetések minden művelethez

- ▶ **Útvefűráshoz viseljen mindig fülvédőt.** A zaj hatása halláskárosodáshoz vezethet.
- ▶ **Az elektromos kéziszerszámot csak a szigetelt markolatfelületeknél fogja, főleg ha olyan műveletet hajt végre, melynek során a vágó tartozék vagy más tartozék rejtett vezetékhez érhetnek.** Ha a vágó tartozék vagy egy rögzítő elem egy feszültség alatt álló vezetékhez ér, az elektromos kéziszerszám fedetlen fémrészei szintén feszültség alá kerülhetnek és áramütéshez vezethetnek.

Biztonsági figyelmeztetések hosszú fűrófejek használatához

- ▶ **Sohase működtesse a kéziszerszámot magasabb fordulatszámmal, mint a fűrófej legnagyobb megengedett fordulatszáma.** Magasabb fordulatszámok esetén a fűrófej kihajolhat, amikor szabadon forog, anélkül, hogy

érintené a munkadarabot, és így személyi sérülést okozhat.

- ▶ **Mindig egy alacsony fordulatszámmal kezdje a fűrást, úgy, hogy az indításkor a fűrófej hegye érintkezésben legyen a munkadarabbal.** Magasabb fordulatszámok esetén a fűrófej kihajolhat, amikor szabadon forog, anélkül, hogy érintené a munkadarabot, és így személyi sérülést okozhat.
- ▶ **Csak a fűrófejjel egy vonalban gyakoroljon nyomást a kéziszerszámra és ne alkalmazzon túl nagy nyomást.** A fűrófejek elgörbülhetnek és töréshez vagy a kéziszerszám feletti uralom elvesztéséhez vezethetnek, ez pedig személyi sérülésekhez vezethet.

Kiegészítő biztonsági előírások

- ▶ **Ha a betétszszám leblokkolt, azonnal kapcsolja ki az elektromos kéziszerszámot. Számítson magas reakciós nyomatékokra, amelyek egy visszarúgást okozhatnak.** A betétszszám leblokkol, ha az elektromos kéziszerszám túlterhelés alá kerül, vagy beékelődik a megmunkálásra kerülő munkadarabba.
- ▶ **Tartsa szorosan fogva az elektromos kéziszerszámot.** A csavarok megszorításakor és kilazításakor rövid időre magas reakciós nyomatékok léphetnek fel.
- ▶ **A megmunkálásra kerülő munkadarabot megfelelően rögzítse.** Egy befogó szerkezettel vagy satuval rögzített munkadarab biztonságosabban van rögzítve, mintha csak a kezével tartaná.
- ▶ **A rejtett vezeték felkutatásához használjon arra alkalmas fémkereső készüléket, vagy kérje ki a helyi energiaellátó vállalat tanácsát.** Ha egy elektromos vezetőket a berendezéssel megérint, az tűzhöz és áramütéshez vezethet. Egy gázvezeték megrongálása robbanást eredményezhet. Ha egy vízvezeték szakít meg, anyagi károk keletkeznek.
- ▶ **Várja meg, amíg az elektromos kéziszerszám teljesen leáll, mielőtt letenné.** A betétszszám beékelődhet, és a kezelő elvesztheti az uralmát az elektromos kéziszerszám felett.
- ▶ **Az akkumulátorok megrongálódása vagy szakszerűtlen kezelése esetén abból gőzök léphetnek ki. Az akkumulátor kigyulladhat vagy felrobbanhat.** Azonnal juttasson friss levegőt a helyiségbe, és ha panaszai vannak, keressen fel egy orvost. A gőzök ingerelhetik a légutakat.
- ▶ **Ne módosítsa és nyissa fel az akkumulátort.** Ekkor fennáll a rövidzárlat veszélye.
- ▶ **Az akkumulátort hegyes tárgyak, például tűk vagy csavarhúzó, vagy külső erőbehatások megrongálhatják.** Belső rövidzárlat léphet fel és az akkumulátor kigyulladhat, füstöt bocsáthat ki, felrobbanhat, vagy túlhevülhet.
- ▶ **Az akkumulátort csak a gyártó termékeiben használja.** Az akkumulátort csak így lehet megvédeni a veszélyes túlterheléstől.



Óvja meg az elektromos kéziszerszámot a forróságtól, például a tartós napsugárzástól, a tüztől, a szennyezésektől, a víztől és a nedvességtől. Robbanásveszély és rövidzárlat veszélye áll fenn.

A termék és a teljesítmény leírása



Olvasa el az összes biztonsági figyelmeztetést és előírást. A biztonsági előírások és utasítások betartásának elmulasztása áramütéshez, tűzhöz és/vagy súlyos sérülésekhez vezethet.

Kérjük, vegye figyelembe a Használati Utasítás első részében található ábrákat.

Rendeltetészerű használat

Az elektromos kéziszerszám csavarok becsavarására és kihajtására, valamint fában, fémekben, keramikus anyagokban és műanyagokban végzett fúrásra, és téglában, falban és kőben végzett ütvefúrásra szolgál.

Az ábrákon szereplő komponensek

Az ábrázolt alkatrészek sorszámozása megfelel az elektromos kéziszerszám ábrájának, az ábrákat tartalmazó oldalon.

- (1) Szerszámbefogó egység
- (2) Gyorsbefogó tokmány
- (3) Nyomaték-előválasztó beállítógyűrű
- (4) Üzem mód előválasztó beállító gyűrű
- (5) Fokozat átkapcsoló
- (6) Akkumulátor^{a)}
- (7) Akkumulátor-reteszelfeloldó gomb^{a)}
- (8) Munkahely megvilágító lámpa (LED)
- (9) Forgásirány-átkapcsoló
- (10) Be-/kikapcsoló
- (11) Fogantyú (szigetelt fogantyúfelület)
- (12) Csavarozóbit^{a)}
- (13) Univerzális bittartó^{a)}

a) Ez a tartozék nem tartozik a standard szállítmányhoz.

Műszaki adatok

Akkus ütvefúrógép		GSB 183-LI
Cikkszám		3 601 JK9 1..
Névleges feszültség	V=	18
Üresjárat fordulatszám ^{A)B)}		
- 1. fokozat	perc ⁻¹	0-440
- 2. fokozat	perc ⁻¹	0-1650
Max. forgatónyomaték kemény/lágy csavarozás esetén ^{A)B)}	Nm	56/21
Ütésszám ^{A)B)}	perc ⁻¹	24000

Akkus ütvefúrógép

GSB 183-LI

Max. fúróátmérő		
- Falazat	mm	10
- Acél	mm	10
- Fa	mm	35
Tokmány befogási tartománya	mm	13
Max. csavar-Ø	mm	10
Súly ^{B)}	kg	1,6 (2,0 Ah) – 2,6 (12 Ah)
Javasolt környezeti hőmérséklet a töltés során	°C	0...+35
Megengedett környezeti hőmérséklet az üzemelés ^{C)} és a tárolás során	°C	-20...+50
Javasolt akkumulátorok		GBA 18V... ProCORE18V...
Javasolt töltőkészülékek		GAL 18... GAX 18... GAL 36...

A) 20–25 °C hőmérsékleten a **GBA 18V 2.0Ah** akkumulátorral mérve.

B) a felhasznált akkumulátortól függően

C) < 0 °C hőmérsékletek mellett korlátozott teljesítmény
Az értékek termékenként változhatnak és függnek az alkalmazási, valamint környezeti feltételektől is. További információk a www.bosch-professional.com/wac címen található.

Zaj és vibráció értékek

A zajkibocsátási értékek meghatározása a szabványnak **EN 62841-2-1** megfelelően történt.

Az elektromos kéziszerszám A-értékelésű zajszintjének tipikus értékei: Hangnyomásszint **86** dB(A); hangteljesítményszint **94** dB(A). A szórás, K = **5** dB.

Viseljen fülvédőt!

Az a_{hp} rezgési összértékek (a három irány vektorösszege) és a K szórás a **EN 62841-2-1** szabványnak megfelelően meghatározott értékei:

Fúrás fémben: $a_{hp} = 1,0 \text{ m/s}^2$, K = **1,5** m/s^2

Ütvefúrás betonban: $a_{hp} = 12,8 \text{ m/s}^2$, K = **1,5** m/s^2

Az ezen utasításokban megadott rezgésszint és zajkibocsátási érték egy szabványban rögzített mérési módszerrel került meghatározásra és az elektromos kéziszerszámok egymással való összehasonlítására alkalmazható. Ez az érték a rezgés- és zajkibocsátás ideiglenes becslésére is alkalmas.

A megadott rezgésszint és zajkibocsátási érték az elektromos kéziszerszám fő alkalmazásaira vonatkozik. Ha az elektromos kéziszerszámot más alkalmazásokra, eltérő betétszerszámokkal vagy nem kielégítő karbantartás mellett használják, a rezgésszint és a zajkibocsátási érték a fenti értékektől eltérhet. Ez az egész munkaidőre vonatkozó rezgés- és zajkibocsátást lényegesen megnövelheti.

A rezgés- és zajkibocsátás pontos megbecsléséhez figyelembe kell venni azokat az időszakokat is, amikor a készülék

kikapcsolt állapotban van, vagy amikor be van ugyan kapcsolva, de nem kerül ténylegesen használatra. Ez az egész munkaidőre vonatkozó rezgés- és zajkibocsátást lényegesen csökkentheti.

Hozzon kiegészítő biztonsági intézkedéseket a kezelőnek a rezgések hatása elleni védelmére, például: Az elektromos kéziszerszám és a betétszerszámok karbantartása, a kezek melegen tartása, a munkamenetek megszervezése.

Összeszerelés

► **Minden elektromos kéziszerszámon végzett munka előtt (pl. karbantartás, szerszámcseré stb.) vegye ki az akkumulátort az elektromos kéziszerszámból.** Ellenkező esetben a be-/kikapcsoló véletlen megérintések okozhatják a bekapcsolódó készülék sérüléseket okozhat.

Az akkumulátor feltöltése

► **Csak a Műszaki Adatoknál megadott töltőkészüléket használja.** Csak ezek a töltőkészülékek felelnek meg pontosan az Ön elektromos kéziszerszámában alkalmazásra kerülő Li-ion-akkumulátornak.

Figyelem: Az akkumulátor részben feltöltve kerül kiszállításra. Az akkumulátor teljes teljesítményének biztosítására az első alkalmazás előtt tölts fel teljesen az akkumulátort a töltőkészülékben.

A Li-ion-akkumulátort bármikor fel lehet tölteni, anélkül, hogy ez megrövidítené az élettartamát. A töltési folyamat megszakítása nem árt az akkumulátornak.

A lítium-ionos-akkumulátort az „Electronic Cell Protection (ECP)” védi a túl erős kisülés ellen. Ha az akkumulátor kimerült, az elektromos kéziszerszámot egy védőkapcsoló kikapcsolja: Ekkor a betétszerszám nem mozog tovább.

► **Az elektromos kéziszerszám automatikus kikapcsolása után ne nyomja tovább a be-/kikapcsolót.** Ez megromlíthatja az akkumulátort.

Vegye figyelembe a hulladékba való eltávolítással kapcsolatos előírásokat.

Az akkumulátor kivétele

A **(6)** akkumulátor két reteszelővállal van ellátva, amelyek meggátolják, hogy az akkumulátor a **(7)** akkumulátor reteszelés feloldó gomb akaratlan megnyomásakor kiessen. Amíg az akkumulátor be van helyezve az elektromos kéziszerszámba, azt egy rugó a helyén tartja.

A **(6)** akkumulátor eltávolításához nyomja meg a **(7)** reteszelés feloldó gombot és húzza ki az akkumulátort az elektromos kéziszerszámból. **Ne erőltesse a kihúzást.**

Szerszámcseré (lásd a A ábrát)

► **Minden elektromos kéziszerszámon végzett munka előtt (pl. karbantartás, szerszámcseré stb.) vegye ki az akkumulátort az elektromos kéziszerszámból.** Ellenkező esetben a be-/kikapcsoló véletlen megérintések okozhatják a bekapcsolódó készülék sérüléseket okozhat.

Ha a **(10)** be-/kikapcsoló nincs benyomva, a fúróorsó reteszelve van. Így biztosítva van, hogy a betétszerszámot a fúró-

tokmányban gyorsan, kényelmesen és egyszerűen ki lehessen cserélni.

Nyissa ki a **(2)** gyorsbefogó tokmányt az **(1)** forgásirányba forgatva, amíg be lehet helyezni a szerszámot. Tegye be a szerszámot.

Forgassa el kézzel, erőteljesen a **(2)** gyorsbefogó fúrótokmány hüvelyét a **(2)** irányba. A fúrótokmány ezzel automatikusan reteszelésre kerül.

Por- és forgácselszívás

Az ólomtartalmú festékrétegek, egyes fajták, ásványok és fémek pora egészségkárosító hatású lehet. A poroknak a közelben tartózkodók személyek által történő megérintése vagy belégzése allergikus reakciókhoz és/vagy a légutak megbetegedését vonhatja maga után.

Egyes faporok, például tölgy- és bükkfaporok rákkeltő hatásúak, főleg ha a faanyag kezeléséhez más anyagok is vannak bennük (kromát, fvédő vegyszerek). A készülékkel azbeszttel tartalmazó anyagokat csak szakembereknek szabad megmunkálniuk.

- Gondoskodjon a munkahely jó szellőztetéséről.
- Ehhez a munkához célszerű egy P2 szűrőosztályú porvédő álcot használni.

A feldolgozásra kerülő anyagokkal kapcsolatban tartsa be az adott országban érvényes előírásokat.

► **Gondoskodjon arról, hogy a munkahelyén ne gyűljen össze por.** A por könnyen meggyulladhat.

Üzemeltetés

Üzembe helyezés

Az akkumulátor beszerelése

Figyelem: Az elektromos kéziszerszámok nem megfelelő akkumulátorok használata működési hibákhoz vagy az elektromos kéziszerszám megrongálódásához vezethet.

Tolja be a megtöltött **(6)** akkumulátort előlről az elektromos kéziszerszám lábrészébe, amíg az akkumulátor biztonságosan reteszelésre kerül.

A forgásirány beállítása (lásd a B ábrát)

► **A (9) forgásirány-átkapcsolót csak álló elektromos kéziszerszám esetén kapcsolja át.**

A **(9)** forgásirány-átkapcsoló az elektromos kéziszerszám forgásirányának megváltoztatására szolgál. Ha a **(10)** be-/kikapcsoló be van nyomva, akkor a forgásirányt nem lehet átkapcsolni.

Jobbra forgás: Fúrásos és csavarok behajtásához tolja el balra ütközésig a **(9)** forgásirány-átkapcsolót.

Balra forgás: Csavarok és anyák megajzításához, illetve kihajtásához tolja el ütközésig jobbra a **(9)** forgásirány-átkapcsolót.

Az üzemmód beállítása



Fúrás

Állítsa be az üzemmód-előválasztó beállítógyűrűt **(4)** a „Fúrás” szimbólumra, hogy elérje a maximális forgatónyomatékat a fúrásnál és a csavarozásnál.



Csavarozás

Állítsa a **(4)** üzemmód előválasztó beállító gyűrűt a „Csavarozás” jelére.

Állítsa be a **(3)** forgatónyomaték előválasztó beállító gyűrűvel a kívánt forgatónyomatékat.



Ütvefúrás

Állítsa be a **(4)** üzemmód előválasztó beállító gyűrűt az „Ütvefúrás” jelére.

Be- és kikapcsolás

Az elektromos kéziszerszám **üzembe helyezéséhez** nyomja be és tartsa benyomva a **(10)** be-/kikapcsolót.

A **(8)** munkahely megvilágító LED-lámpa világít kissé vagy teljesen megnyomott **(10)** be-/kikapcsoló esetén világít és gondoskodik arról, hogy a munkaterület hátrányos külső megvilágítás esetén is megfelelően meg legyen világítva.

Az elektromos kéziszerszám **kikapcsolásához** eressze el a **(10)** be-/kikapcsolót.

LED munkahelymegvilágító lámpa állapotkijelzővel



A **(8)** munkahelymegvilágító lámpa a készülék védelmére és az akkumulátor alacsony szintjének kijelzésére szolgáló állapotkijelzőként is alkalmazásra kerül:

LED-visszajelzés	Leírás
Villogó fény 3x üzem közben	Az akkumulátor feltöltési szintje alacsony. Az akkumulátor feszültsége az optimális szint alá csökkent. A készülék teljesítménye korlátozva van.
Villogó fény 3x a leállítás után	A készülék védelme aktiválásra került. A készülék védelme aktiválásra került, hogy megóvja az akkumulátort a magas áramfogyasztástól és a készüléket a roncsolódásoktól.

- Ha az akkumulátor feltöltési szintje alacsony, töltsse fel a **(6)** akkumulátort vagy cserélje ki az akkumulátort egy teljesen feltöltött akkumulátorra.

A fordulatszám beállítása

A bekapcsolt elektromos kéziszerszám fordulatszámát annak megfelelően szabályozhatja, mennyire nyomja be a **(10)** be-/kikapcsolót.

A **(10)** be-/kikapcsolóra gyakorolt enyhe nyomás alacsony lókeresztet eredményez. Növekvő nyomás esetén a fordulatszám is növekszik.

A forgatónyomaték előzetes kijelölése (A Csavarozás üzemmódra érvényes)

A **(3)** forgatónyomaték előválasztó beállító gyűrűvel a szükséges forgatónyomatékat 20 fokozatban előre be lehet állíta-

ni. A beállított forgatónyomaték elérésekor a betétszerszám leállításra kerül.

Mechanikus sebességfokozat beállítás

► **A (5) forgásirány-átkapcsolót csak álló elektromos kéziszerszám esetén kapcsolja át.**

1. fokozat:

Alacsony fordulatszám tartomány; nagy átmérőjű fúróval végzett munkákhoz vagy csavarozáshoz.

2. fokozat:

Magas fordulatszám tartomány, kis átmérőjű fúróval végzett munkákhoz.

► **A fokozatválasztó kapcsolót mindig ütközésig el kell tolni.** Ellenkező esetben az elektromos kéziszerszám megrongálódhat.

Hőmérsékletfüggő túlterhelés elleni védelem

Rendeltetészerű használat esetén az elektromos kéziszerszámot nem lehet túlterhelni. Túl nagy terhelés esetén, vagy ha az akkumulátor hőmérséklete kilép a megengedett hőmérséklet tartományból, az elektromos kéziszerszám kikapcsol és az elektromos kéziszerszám elhelyezett LED villog. Hagyja lehűlni az elektromos kéziszerszámot, mielőtt tovább dolgozna.

Teljesen automatikus tengelyreteszelés (Auto-Lock)

Ha a **(10)** be-/kikapcsoló nincs benyomva, a fúróorsó és ezzel a **(1)** befogó egység is reteszelve van.

Ez kimerült **(6)** akkumulátor esetén is lehetővé teszi a csavarok becsavarását, illetve az elektromos kéziszerszám csavarhúzóként való használatát.

Munkavégzési tanácsok

► **Az elektromos kéziszerszámot csak kikapcsolt állapotban tegye fel a csavarra.** A forgó betétszerszámok lecsúszhatnak.

Ha nagyobb, hosszabb csavarokat akar kemény anyagba becsavarozni, akkor célszerű a menet magátmérőjének megfelelő, a csavar hosszúságának 2/3-át kitevő megfelelő hosszúságú furatot előfúrni.

A csavarozóbit vagy az univerzális bittartó eltávolításához egy segédeszközt is szabad használni.

Karbantartás és szerviz

Karbantartás és tisztítás

- **Minden elektromos kéziszerszámon végzett munka előtt (pl. karbantartás, szerszámcsere stb.) vegye ki az akkumulátort az elektromos kéziszerszámból.** Ellenkező esetben a be-/kikapcsoló véletlen megérintésekor bekapcsolódó készülék sérüléseket okozhat.
- **Tartsa mindig tisztán az elektromos kéziszerszámot és annak szellőzőnyílásait, hogy jól és biztonságosan dolgozhasson.**

Vevőszolgálat és alkalmazási tanácsadás

A vevőszolgálat a terméke javításával és karbantartásával, valamint a pótalkatrészekkel kapcsolatos kérdésekre szívesen válaszol. A pótalkatrészekkel kapcsolatos robbantott ábrák és egyéb információk a következő címen is találhatóak:

www.bosch-pt.com

A Bosch Használati Tanácsadó Team szívesen segít, ha termékeinkkel és azok tartozékaival kapcsolatos kérdései vannak.

Ha kérdései vannak pótalkatrészeket szeretne rendelni, okvetlenül adja meg a termék típusábláján található 10-jegyű cikkszámot.

Magyarország

Robert Bosch Kft.
1103 Budapest
Gyömrői út. 120.

A www.bosch-pt.hu oldalon online megrendelheti készülékének javítását.

Tel.: +36 1 879 8502

Fax: +36 1 879 8505

info.bsc@hu.bosch.com

www.bosch-pt.hu

További szerviz-címek az alábbi címen találhatóak:

www.bosch-pt.com/serviceaddresses

Szállítás

A javasolt lithium-ion-akkumulátorokra a veszélyes árukra vonatkozó előírások érvényesek. A felhasználók az akkumulátorokat a közúti szállításban minden további nélkül szállíthatják.

Ha a szállítással harmadik személyt (például: légi vagy egyéb szállító vállalatot) bízna meg, akkor figyelembe kell venni a csomagolásra és a megjelölésre vonatkozó különleges követelményeket. Ebben az esetben a küldemény előkészítésébe be kell vonni egy veszélyes áru szakembert.

Csak akkor küldje el az akkumulátort, ha a háza nincs megromlódvá. Ragassza le a nyitott érintkezőket és csomagolja be úgy az akkumulátort, hogy az a csomagoláson belül ne mozoghasson. Kérjük tartsa be az adott országban érvényes, ezen esetleg túlmenő előírásokat.

Eltávolítás



Az elektromos kéziszerszámokat, az akkumulátorokat, a tartozékokat és a csomagolást a környezetvédelmi szempontoknak megfelelően kell újrafelhasználásra előkészíteni.



Ne dobja ki az elektromos kéziszerszámokat és az akkumulátorokat/elemeket a háztartási szeméttel!

Csak az EU-tagországok számára:

A már nem használható elektromos kéziszerszámokat és a hibás vagy elhasznált akkumulátorokat/elemeket elkülönítve kell ártalmatlanítani. Használja a rendelkezésre álló gyűjtőrendszereket.

Szakszerűtlen ártalmatlanítás esetén az elhasznált elektromos és elektronikus készülékek a veszélyes anyagok lehetséges jelenléte miatt káros hatással lehetnek a környezetre és az emberek egészségére.

Akkumulátorok/elemek:

Li-ion:

Kérjük vegye figyelembe a Szállítás fejezetben található tájékoztatót (lásd „Szállítás”, Oldal 52).

Русский

Только для стран Евразийского экономического союза (Таможенного союза)

В состав эксплуатационных документов, предусмотренных изготовителем для продукции, могут входить настоящее руководство по эксплуатации, а также приложения. Информация о подтверждении соответствия содержится в приложении.

Информация о стране происхождения указана на корпусе изделия и в приложении.

Дата изготовления указана на последней странице обложки Руководства.

Контактная информация относительно импортера содержится на упаковке.

Срок службы изделия

Срок службы изделия составляет 7 лет. Не рекомендуется к эксплуатации по истечении 5 лет хранения с даты изготовления без предварительной проверки (дату изготовления см. на этикетке).

Указанный срок службы действителен при соблюдении потребителем требований настоящего руководства.

Перечень критических отказов

- не использовать при сильном искрении
- не использовать при появлении сильной вибрации
- не использовать с перебитым или оголённым электрическим кабелем
- не использовать при появлении дыма непосредственно из корпуса изделия

Возможные ошибочные действия персонала

- не использовать с поврежденной рукояткой или поврежденным защитным кожухом
- не использовать на открытом пространстве во время дождя
- не включать при попадании воды в корпус

Критерии предельных состояний

- перетёрт или повреждён электрический кабель
- поврежден корпус изделия

Тип и периодичность технического обслуживания

- Рекомендуется очистить инструмент от пыли после каждого использования.

Хранение

- необходимо хранить в сухом месте
- необходимо хранить вдали от источников повышенных температур и воздействия солнечных лучей
- при хранении необходимо избегать резкого перепада температур
- хранение без упаковки не допускается
- подробные требования к условиям хранения смотрите в ГОСТ 15150-69 (Условие 1)
- Хранить в упаковке предприятия – изготовителя в складских помещениях при температуре окружающей среды от +5 до +40 °С. Относительная влажность воздуха не должна превышать 80 %.

Транспортировка

- категорически не допускается падение и любые механические воздействия на упаковку при транспортировке
- при разгрузке/погрузке не допускается использование любого вида техники, работающей по принципу зажима упаковки
- подробные требования к условиям транспортировки смотрите в ГОСТ 15150-69 (Условие 5)
- Транспортировать при температуре окружающей среды от –50 °С до +50 °С. Относительная влажность воздуха не должна превышать 100 %.

Указания по технике безопасности**Общие указания по технике безопасности для электроинструментов**

⚠ ПРЕДУПРЕЖДЕНИЕ Прочитайте все указания по технике безопасности, инструкции, иллюстрации и спецификации, предоставленные вместе с настоящим электроинструментом. Несоблюдение каких-либо из указанных ниже инструкций может стать причиной поражения электрическим током, пожара и/или тяжелых травм.

Сохраняйте эти инструкции и указания для будущего использования.

Использованное в настоящих инструкциях и указаниях понятие «электроинструмент» распространяется на электроинструмент с питанием от сети (с сетевым шнуром) и на аккумуляторный электроинструмент (без сетевого шнура).

Безопасность рабочего места

- ▶ **Содержите рабочее место в чистоте и хорошо освещенным.** Беспорядок или неосвещенные участки рабочего места могут привести к несчастным случаям.
- ▶ **Не работайте с электроинструментами во взрывоопасной атмосфере, напр., содержащей горючие жидкости, воспламеняющиеся газы или пыль.**

Электроинструменты искрят, что может привести к воспламенению пыли или паров.

- ▶ **Во время работы с электроинструментом не допускайте близко к Вашему рабочему месту детей и посторонних лиц.** Отвлечшись, Вы можете потерять контроль над электроинструментом.
- ▶ Оборудование предназначено для работы в бытовых условиях, коммерческих зонах и общественных местах, производственных зонах с малым электропотреблением, без воздействия вредных и опасных производственных факторов. Оборудование предназначено для эксплуатации без постоянного присутствия обслуживающего персонала.

Электробезопасность

- ▶ **Штепсельная вилка электроинструмента должна подходить к штепсельной розетке. Ни в коем случае не вносите изменения в штепсельную вилку. Не применяйте переходные штекеры для электроинструментов с защитным заземлением.** Неизменные штепсельные вилки и подходящие штепсельные розетки снижают риск поражения электротоком.
- ▶ **Предотвращайте телесный контакт с заземленными поверхностями, как то: с трубами, элементами отопления, кухонными плитами и холодильниками.** При заземлении Вашего тела повышается риск поражения электротоком.
- ▶ **Защищайте электроинструмент от дождя и сырости.** Проникновение воды в электроинструмент повышает риск поражения электротоком.
- ▶ **Не разрешается использовать шнур не по назначению. Никогда не используйте шнур для транспортировки или подвески электроинструмента, или для извлечения вилки из штепсельной розетки. Защищайте шнур от воздействия высоких температур, масла, острых кромок или подвижных частей электроинструмента.** Поврежденный или спутанный шнур повышает риск поражения электротоком.
- ▶ **При работе с электроинструментом под открытым небом применяйте пригодные для этого кабели-удлинители.** Применение пригодного для работы под открытым небом кабеля-удлинителя снижает риск поражения электротоком.
- ▶ **Если невозможно избежать применения электроинструмента в сыром помещении, подключайте электроинструмент через устройство защитного отключения.** Применение устройства защитного отключения снижает риск электрического поражения.

Безопасность людей

- ▶ **Будьте внимательны, следите за тем, что делаете, и продуманно начинайте работу с электроинструментом. Не пользуйтесь электроинструментом в установленном состоянии или под воздействием наркотиков, алкоголя или лекарственных средств.** Один момент невнимательности при работе с электроинструментом может привести к серьезным травмам.

- ▶ **Применяйте средства индивидуальной защиты. Всегда носите защитные очки.** Использование средств индивидуальной защиты, как то: защитной маски, обуви на нескользящей подошве, защитного шлема или средств защиты органов слуха, в зависимости от вида работы с электроинструментом снижает риск получения травм.
 - ▶ **Предотвращайте непреднамеренное включение электроинструмента. Перед тем как подключить электроинструмент к сети и/или к аккумулятору, поднять или переносить электроинструмент, убедитесь, что он выключен.** Удержание пальца на выключателе при транспортировке электроинструмента и подключение к сети питания включенного электроинструмента чревато несчастными случаями.
 - ▶ **Убирайте установочный инструмент или гаечные ключи до включения электроинструмента.** Инструмент или ключ, находящийся во вращающейся части электроинструмента, может привести к травмам.
 - ▶ **Не принимайте неестественное положение корпуса тела. Всегда занимайте устойчивое положение и сохраняйте равновесие.** Благодаря этому Вы можете лучше контролировать электроинструмент в неожиданных ситуациях.
 - ▶ **Носите подходящую рабочую одежду. Не носите широкую одежду и украшения. Держите волосы и одежду вдаль от подвижных деталей.** Широкая одежда, украшения или длинные волосы могут быть затянуты вращающимися частями.
 - ▶ **При наличии возможности установки пылеотсасывающих и пылесборных устройств проверяйте их присоединение и правильное использование.** Применение пылесоса может снизить опасность, создаваемую пылью.
 - ▶ **Хорошее знание электроинструментов, полученное в результате частого их использования, не должно приводить к самоуверенности и игнорированию техники безопасности обращения с электроинструментами.** Одно небрежное действие за долю секунды может привести к серьезным травмам.
 - ▶ **ВНИМАНИЕ!** В случае возникновения перебоя в работе электроинструмента вследствие полного или частичного прекращения энергоснабжения или повреждения цепи управления энергоснабжением установите выключатель в положение Выкл., убедившись, что он не заблокирован (при его наличии). Отключите сетевую вилку от розетки или отсоедините съемный аккумулятор. Этим предотвращается неконтролируемый повторный запуск.
 - ▶ **Квалифицированный персонал в соответствии с настоящим руководством подразумевает лиц, которые знакомы с регулировкой, монтажом, вводом эксплуатации обслуживанием электроинструмента.**
 - ▶ **К работе с электроинструментом допускаются лица не моложе 18 лет, изучившие техническое описание, инструкцию по эксплуатации и правила безопасности.**
 - ▶ **Изделие не предназначено для использования лицами (включая детей) с пониженными физическими, чувственными или умственными способностями или при отсутствии у них жизненного опыта или знаний, если они не находятся под контролем или не проинструктированы об использовании электроинструмента лицом, ответственным за их безопасность.**
- Применение электроинструмента и обращение с ним**
- ▶ **Не перегружайте электроинструмент. Используйте для работы соответствующий специальный электроинструмент.** С подходящим электроинструментом Вы работаете лучше и надежнее в указанном диапазоне мощности.
 - ▶ **Не работайте с электроинструментом при неисправном выключателе.** Электроинструмент, который не поддается включению или выключению, опасен и должен быть отремонтирован.
 - ▶ **Перед тем как настраивать электроинструмент, заменять принадлежности или убирать электроинструмент на хранение, отключите штепсельную вилку от розетки сети и/или выньте, если это возможно, аккумулятор.** Эта мера предосторожности предотвращает непреднамеренное включение электроинструмента.
 - ▶ **Храните электроинструменты в недоступном для детей месте. Не разрешайте пользоваться электроинструментом лицам, которые не знакомы с ним или не читали настоящих инструкций.** Электроинструменты опасны в руках неопытных лиц.
 - ▶ **Тщательно ухаживайте за электроинструментом и принадлежностями. Проверяйте безупречную функцию и ход движущихся частей электроинструмента, отсутствие поломок или повреждений, отрицательно влияющих на функцию электроинструмента. Поврежденные части должны быть отремонтированы до использования электроинструмента.** Плохое обслуживание электроинструментов является причиной большого числа несчастных случаев.
 - ▶ **Держите режущий инструмент в заточенном и чистом состоянии.** Заботливо ухоженные режущие инструменты с острыми режущими кромками режут заклиниваются и их легче вести.
 - ▶ **Применяйте электроинструмент, принадлежности, рабочие инструменты и т. п. в соответствии с настоящими инструкциями. Учитывайте при этом рабочие условия и выполняемую работу.** Использование электроинструментов для непредусмотренных работ может привести к опасным ситуациям.
 - ▶ **Держите ручки и поверхности захвата сухими и чистыми, следите чтобы на них чтобы на них не было жидкой или консистентной смазки.** Скользкие ручки и поверхности захвата препятствуют безопасному обращению с инструментом и не дают надежно контролировать его в непредвиденных ситуациях.

Применение и обслуживание аккумуляторного инструмента

- ▶ **Заряжайте аккумуляторы только в зарядных устройствах, рекомендуемых изготовителем.** Зарядное устройство, предусмотренное для определенного вида аккумуляторов, может привести к пожарной опасности при использовании его с другими аккумуляторами.
- ▶ **Применяйте в электроинструментах только предусмотренные для этого аккумуляторы.** Использование других аккумуляторов может привести к травмам и пожарной опасности.
- ▶ **Защищайте неиспользуемый аккумулятор от канцелярских скрепок, монет, ключей, гвоздей, винтов и других маленьких металлических предметов, которые могут закортить полюса.** Короткое замыкание полюсов аккумулятора может привести к ожогам или пожару.
- ▶ **При неправильном использовании из аккумулятора может потечь жидкость. Избегайте соприкосновения с ней. При случайном контакте промойте соответствующее место водой. Если эта жидкость попадет в глаза, то дополнительно обратитесь к врачу.** Вытекающая аккумуляторная жидкость может привести к раздражению кожи или к ожогам.
- ▶ **Не используйте поврежденные или измененные аккумуляторы или инструменты.** Поврежденные или измененные аккумуляторы могут повести себя непредсказуемо, что может привести к возгоранию, взрыву или риску получения травмы.
- ▶ **Не кладите аккумулятор или инструмент в огонь и не подвергайте их воздействию высоких температур.** Огонь или температура выше 130 °C могут привести к взрыву.
- ▶ **Выполняйте все инструкции по зарядке и не заряжайте аккумулятор или инструмент при температуре, выходящей за указанный в инструкции диапазон.** Неправильная зарядка или зарядка при температурах, выходящих за указанный диапазон, могут повредить батарею и повысить риск возгорания.

Сервис

- ▶ **Ремонт электроинструмента должен выполняться только квалифицированным персоналом и только с применением оригинальных запасных частей.** Этим обеспечивается безопасность электроинструмента.
- ▶ **Никогда не обслуживайте поврежденные аккумуляторы.** Обслуживать аккумуляторы разрешается только производителю или авторизованной сервисной организации.

Указания по технике безопасности для дрелей

Указания по технике безопасности для всех операций

- ▶ **При ударном сверлении применяйте средства защиты органов слуха.** Шум может привести к потере слуха.

- ▶ **При выполнении работ, при которых рабочий инструмент или шурупы могут задеть скрытую электропроводку, держите инструмент за изолированные поверхности.** Контакт рабочего инструмента или шурупов с находящейся под напряжением проводкой может зарядить металлические части электроинструмента и привести к поражению электрическим током.

Указания по технике безопасности для работе с длинными бит-насадками

- ▶ **Никогда не работайте со скоростью, превышающей максимальную номинальную скорость бит-насадки.** При высокой скорости бит-насадки могут изгибаться, если они вращаются свободно без контакта с заготовкой, что может привести к телесным повреждениям.
- ▶ **Всегда начинайте сверлить на низкой скорости, кончик бит-насадки должен касаться заготовки.** При высокой скорости бит-насадки могут изгибаться, если они вращаются свободно без контакта с заготовкой, что может привести к телесным повреждениям.
- ▶ **Нажимайте только по прямой к бит-насадке и не нажимайте излишне.** Бит-насадки могут изгибаться и в результате ломаться или приводить к потере контроля и вследствие этого к телесным повреждениям.

Дополнительные указания по технике безопасности

- ▶ **Немедленно выключите электроинструмент, если рабочий инструмент заклинило. Будьте готовы к высоким реактивным моментам, которые приводят к отдаче.** Рабочий инструмент заклинивает при перегрузке электроинструмента или застревании инструмента в обрабатываемой заготовке.
- ▶ **Крепко держите электроинструмент.** При затягивании и отпуске винтов/шурупов могут возникать кратковременные высокие реакционные моменты.
- ▶ **Закрепляйте заготовку.** Заготовка, установленная в зажимное приспособление или в тиски, удерживается более надежно, чем в Вашей руке.
- ▶ **Используйте соответствующие металлоискатели для нахождения спрятанных в стене труб или проводки или обращайтесь за справкой в местное коммунальное предприятие.** Контакт с электропроводкой может привести к пожару и поражению электротоком. Повреждение газопровода может привести к взрыву. Повреждение водопровода ведет к нанесению материального ущерба.
- ▶ **Выждите полной остановки электроинструмента и только после этого выпускайте его из рук.** Рабочий инструмент может заесть, и это может привести к потере контроля над электроинструментом.
- ▶ **При повреждении и ненадлежащем использовании аккумулятора может выделиться газ. Аккумулятор может возгораться или взрываться.** Обеспечьте приток свежего воздуха и при возникновении жалоб обратитесь к врачу. Газы могут вызвать раздражение дыхательных путей.

- ▶ **Не вносите конструктивных изменений в аккумулятор и не открывайте его.** При этом возникает опасность короткого замыкания.
- ▶ **Острыми предметами, как напр., гвоздем или отверткой, а также внешним силовым воздействием можно повредить аккумуляторную батарею.** Это может привести к внутреннему короткому замыканию, возгоранию с задымлением, взрыву или перегреву аккумуляторной батареи.
- ▶ **Используйте аккумулятор только в изделиях изготовителя.** Только так аккумулятор защищен от опасной перегрузки.



Защищайте аккумуляторную батарею от высоких температур, напр., от длительного нагревания на солнце, от огня, грязи, воды и влаги. Существует опасность взрыва и короткого замыкания.



Описание продукта и услуг



Прочтите все указания и инструкции по технике безопасности. Несоблюдение указаний по технике безопасности и инструкций может привести к поражению электрическим током, пожару и/или тяжелым травмам.

Пожалуйста, соблюдайте иллюстрации в начале руководства по эксплуатации.

Применение по назначению

Настоящий электроинструмент предназначен для ввинчивания и вывинчивания винтов/шурупов, а также для сверления отверстий в древесине, металле, керамике, синтетических материалах и для ударного сверления в кирпиче, каменной кладке и в природном камне.

Изображенные компоненты

Нумерация представленных компонентов относится к изображению электроинструмента на странице с иллюстрациями.

- (1) Патрон
- (2) Быстрозажимной сверлильный патрон
- (3) Установочное кольцо крутящего момента
- (4) Установочное кольцо режима работы
- (5) Переключатель передач
- (6) Аккумулятор^{a)}
- (7) Кнопка разблокировки аккумулятора^{a)}
- (8) Подсветка (светодиод)
- (9) Переключатель направления вращения
- (10) Выключатель
- (11) Рукоятка (с изолированной поверхностью для хвата)
- (12) Бита-насадка^{a)}

(13) Универсальный держатель насадок-бит^{a)}

a) Эти принадлежности не входят в стандартный комплект поставки.

Технические данные

Аккумуляторная ударная дрель		GSB 183-LI	
Артикул		3 601 JK9 1..	
Номинальное напряжение	V =	18	
Число оборотов холостого хода ^{A)B)}			
- 1-я скорость	об/мин	0–440	
- 2-я скорость	об/мин	0–1650	
Макс. крутящий момент при работе в жестких/мягких материалах ^{A)B)}	Нм	56/21	
Частота ударов ^{A)B)}	уд./мин	24000	
Макс. диаметр сверла			
- Кирпичная кладка	мм	10	
- Сталь	мм	10	
- Древесина	мм	35	
Диапазон хвостовиков для сверлильного патрона	мм	13	
Макс. диаметр шурупов	мм	10	
Вес ^{B)}	кг	1,6 (2,0 A-ч) – 2,6 (12,0 A-ч)	
Рекомендуемая температура окружающей среды при зарядке	°C	0 ... +35	
Допустимая температура окружающей среды при эксплуатации ^{C)} и хранении	°C	–20 ... +50	
Рекомендуемые аккумуляторы		GBA 18V... ProCORE18V...	
Рекомендуемые зарядные устройства		GAL 18... GAX 18... GAL 36...	

A) Измерения при 20–25 °C с аккумулятором **GBA 18V 2.0Ah**.

B) в зависимости от используемой аккумуляторной батареи

C) ограниченная мощность при температуре < 0 °C

Значения могут варьироваться в зависимости от инструмента, способа применения и условий окружающей среды. Более подробная информация представлена на сайте www.bosch-professional.com/wac.

Данные по шуму и вибрации

Шумовая эмиссия определена в соответствии с **EN 62841-2-1**.

A-скорректированный уровень шума от электроинструмента составляет обычно: уровень звукового давления **86 дБ(A)**; уровень звуковой мощности **94 дБ(A)**. Погрешность K = **5 дБ**.

Используйте средства защиты органов слуха!

Суммарная вибрация a_h (векторная сумма трех направлений) и погрешность K определены в соответствии с **EN 62841-2-1**:

Сверление металла: $a_h = 1,0 \text{ м/с}^2$, $K = 1,5 \text{ м/с}^2$

Ударное сверление бетона: $a_h = 12,8 \text{ м/с}^2$, $K = 1,5 \text{ м/с}^2$

Указанные в настоящих инструкциях уровень вибрации и значение шумовой эмиссии измерены по методике измерения, прописанной в стандарте, и могут быть использованы для сравнения электроинструментов. Они также пригодны для предварительной оценки уровня вибрации и шумовой эмиссии.

Уровень вибрации и значение шумовой эмиссии указаны для основных видов работы с электроинструментом. Однако если электроинструмент будет использован для выполнения других работ с применением непредусмотренных изготовителем рабочих инструментов или техническое обслуживание не будет отвечать предписаниям, то значения уровня вибрации и шумовой эмиссии могут быть иными. Это может значительно повысить общий уровень вибрации и общую шумовую эмиссию в течение всей продолжительности работы.

Для точной оценки уровня вибрации и шумовой эмиссии в течение определенного временного интервала нужно учитывать также и время, когда инструмент выключен или, хотя и включен, но не находится в работе. Это может значительно сократить уровень вибрации и шумовую эмиссию в пересчете на полное рабочее время.

Предусмотрите дополнительные меры безопасности для защиты оператора от воздействия вибрации, например: техническое обслуживание электроинструмента и рабочих инструментов, меры по поддержанию рук в тепле, организация технологических процессов.

Сборка

► **Перед выполнением любых работ с электроинструментом (например, техническое обслуживание, замена рабочего инструмента и т. д.) извлекайте аккумулятор из электроинструмента.** При случайном нажатии выключателя возникает опасность травмирования.

Зарядка аккумулятора

► **Пользуйтесь только зарядными устройствами, указанными в технических параметрах.** Только эти зарядные устройства пригодны для литиево-ионного аккумулятора Вашего электроинструмента.

Указание: Аккумуляторная батарея поставляется в частично заряженном состоянии. Для обеспечения полной мощности аккумулятора зарядите его полностью перед первым применением.

Литий-ионный аккумулятор может быть заряжен в любое время без сокращения срока службы. Прекращение процесса зарядки не наносит вреда аккумулятору.

Литиево-ионная аккумуляторная батарея защищена от глубокой разрядки системой „Electronic Cell Protection (ECP)“. Защитная схема выключает электроинструмент

при разряженном аккумуляторе – рабочий инструмент останавливается.

► **После автоматического выключения электроинструмента не нажимайте больше на выключатель.** Аккумулятор может быть поврежден.

Учитывайте указания по утилизации.

Извлечение аккумулятора

Аккумулятор (6) оснащен двумя ступенями фиксации, призванными предотвращать выпадение аккумулятора при непреднамеренном нажатии на кнопку разблокировки (7). Пока аккумулятор находится в электроинструменте, пружина держит его в соответствующем положении.

Чтобы извлечь аккумуляторную батарею (6), нажмите на кнопку разблокировки (7) и извлеките аккумулятор из электроинструмента. **Не применяйте при этом силы.**

Замена рабочего инструмента (см. рис. А)

► **Перед выполнением любых работ с электроинструментом (например, техническое обслуживание, замена рабочего инструмента и т. д.) извлекайте аккумулятор из электроинструмента.** При случайном нажатии выключателя возникает опасность травмирования.

При ненажатом выключателе (10) сверлильный шпиндель фиксируется. Это позволяет быстро, удобно и просто менять рабочий инструмент в сверлильном патроне. Откройте быстрозажимной сверлильный патрон (2), поворачивая его в направлении вращения ① настолько, чтобы можно было вставить рабочий инструмент. Вставьте инструмент.

От руки туго затяните гильзу быстрозажимного сверлильного патрона (2) в направлении ②. При этом сверлильный патрон автоматически фиксируется.

Удаление пыли и стружки

Пыль некоторых материалов, как напр., красок с содержанием свинца, некоторых сортов древесины, минералов и металлов, может быть вредной для здоровья. Прикосновение к пыли и попадание пыли в дыхательные пути может вызвать аллергические реакции и/или заболевания дыхательных путей оператора или находящегося вблизи персонала.

Определенные виды пыли, напр., дуба и бука, считаются канцерогенными, особенно совместно с присадками для обработки древесины (хромат, средство для защиты древесины). Материал с содержанием асбеста разрешается обрабатывать только специалистам.

- Хорошо проветривайте рабочее место.
- Рекомендуется пользоваться респираторной маской с фильтром класса P2.

Соблюдайте действующие в Вашей стране предписания для обрабатываемых материалов.

► **Избегайте скопления пыли на рабочем месте.** Пыль может легко воспламениться.

Работа с инструментом

Включение электроинструмента

Установка аккумулятора

Указание: Применение аккумуляторов, не предназначенных для данного электроинструмента, может привести к сбоям в работе или повреждению электроинструмента.

Вставьте заряженный аккумулятор (6) спереди в ножку электроинструмента, чтобы аккумулятор надежно зафиксировался.

Настройка направления вращения (см. рис. В)

► **Приводите в действие переключатель направления вращения (9) только при остановленном электроинструменте.**

Выключателем направления вращения (9) можно изменять направление вращения электроинструмента. При вжатом выключателе (10) это, однако, невозможно.

Правое вращение: Для сверления и завинчивания шурупов передвиньте переключатель направления вращения (9) до упора влево.

Левое направление вращения: Для ослабления и выворачивания винтов/шурупов и отвинчивания гаек нажмите переключатель направления вращения (9) вправо до упора.

Установка режима работы



Сверление

Переведите установочное кольцо режима работы (4) на символ «Сверление», чтобы работать с максимальным крутящим моментом.



Закручивание/выкручивание шурупов

Переведите установочное кольцо режима работы (4) на символ «Закручивание/выкручивание шурупов».

Переведите установочное кольцо крутящего момента (3) на нужный крутящий момент.



Сверление с ударом

Переведите установочное кольцо режима работы (4) на символ «Сверление с ударом».

Включение/выключение

Для **включения** электроинструмента нажмите на выключатель (10) и удерживайте его нажатым.

Светодиод (8) загорается при легком или полном нажатии на выключатель (10) и позволяет освещать рабочую зону при недостаточном общем освещении.

Для **выключения** электроинструмента отпустите выключатель (10).

Светодиодная подсветка с индикатором состояния



Светодиодная подсветка (8) также используется в качестве индикатора состояния для защиты прибора и предупреждения о низком уровне заряда батареи:

Светодиодный сигнал обратной связи	Описание
Мигает 3 раза при работе	Низкий уровень заряда аккумулятора. Заряд аккумулятора ниже оптимального значения напряжения. Мощность прибора ограничена.
Мигает 3 раза после полной остановки	Активирована защита прибора. Защита прибора срабатывает, чтобы защитить аккумулятор от повышенного энергопотребления и защитить прибор от повреждения.

– Если уровень заряда аккумулятора низкий, зарядите аккумулятор (6) или замените разряженный аккумулятор на полностью заряженный.

Установка числа оборотов

Число оборотов включенного электроинструмента можно плавно регулировать, изменяя для этого усилие нажатия на выключатель (10).

При слабом нажатии на выключатель (10) электроинструмент работает с низким числом оборотов. С увеличением силы нажатия число оборотов увеличивается.

Установка крутящего момента (режим закручивания)

С помощью установочного кольца крутящего момента (3) можно установить одну из 20 ступеней крутящего момента. После достижения установленного крутящего момента электроинструмент останавливается.

Механический выбор передач

► **Приводите в действие переключатель передач (5) только при остановленном электроинструменте.**

1-я передача:

Диапазон низкого числа оборотов для работы со сверлами с большими диаметрами или для завинчивания винтов/шурупов.

2-я передача:

Диапазон высокого числа оборотов для работы со сверлами небольшого диаметра.

► **Переключайте переключатель передач всегда до упора.** В противном случае электроинструмент может быть поврежден.

Термическая защита от перегрузки

При использовании электроинструмента по назначению его перегрузка невозможна. При слишком сильной нагрузке или при выходе аккумулятора за допустимый диапазон температуры электроинструмент отключается и мигает светодиод на электроинструменте. Дайте электроинструменту остыть, прежде чем продолжать работать с ним.

Автоматическое фиксирование шпинделя (Auto-Lock)

При ненажатом выключателе (10) сверлильный шпиндель, а тем самым и патрон (1) фиксируется.

Это позволяет вворачивать шурупы также и при разрядившемся аккумуляторе (6) или использовать электроинструмент в качестве отвертки.

Указания по применению

- ▶ **Устанавливайте электроинструмент на винт только в выключенном состоянии.** Вращающиеся рабочие инструменты могут соскользнуть.

Перед завертыванием больших длинных шурупов в твердые материалы следует предварительно высверлить отверстие с диаметром, соответствующим внутреннему диаметру резьбы, прибл. на 2/3 длины шурупа.

Для изъятия бита-насадки или универсального держателя бит-насадок можно использовать вспомогательный инструмент.

Техобслуживание и сервис

Техобслуживание и очистка

- ▶ **Перед выполнением любых работ с электроинструментом (например, техническое обслуживание, замена рабочего инструмента и т. д.) извлекайте аккумулятор из электроинструмента.** При случайном нажатии выключателя возникает опасность травмирования.
- ▶ **Для обеспечения качественной и безопасной работы содержите электроинструмент и вентиляционные прорези в чистоте.**

Реализацию продукции разрешается производить в магазинах, отделах (секциях), павильонах и киосках, обеспечивающих сохранность продукции, исключающих попадание на неё атмосферных осадков и воздействие источников повышенных температур (резкого перепада температур), в том числе солнечных лучей.

Продавец (изготовитель) обязан предоставить покупателю необходимую и достоверную информацию о продукции, обеспечивающую возможность её правильного выбора. Информация о продукции в обязательном порядке должна содержать сведения, перечень которых установлен законодательством Российской Федерации.

Если приобретаемая потребителем продукция была в употреблении или в ней устранялся недостаток (недостатки), потребителю должна быть предоставлена информация об этом.

В процессе реализации продукции должны выполняться следующие требования безопасности:

- Продавец обязан довести до сведения покупателя фирменное наименование своей организации, место её нахождения (адрес) и режим её работы;
- Образцы продукции в торговых помещениях должны обеспечивать возможность ознакомления покупателя с надписями на изделиях и исключать любые самостоятельные действия покупателей с изделиями, приводящие к запуску изделий, кроме визуального осмотра;
- Продавец обязан довести до сведения покупателя информацию о подтверждении соответствия этих изде-

лий установленным требованиям, о наличии сертификатов или деклараций о соответствии;

- Запрещается реализация продукции при отсутствии (утрате) её идентификационных признаков, с истёкшим сроком годности, следами порчи и без инструкции (руководства) по эксплуатации, обязательного сертификата соответствия либо знака соответствия.

Сервис и консультирование по вопросам применения

Сервисный отдел ответит на все Ваши вопросы по ремонту и обслуживанию Вашего продукта, а также по запчастям. Сборочные чертежи и информация о запасных частях находятся на: www.bosch-pt.com
Консультанты по вопросам применения Bosch с удовольствием помогут Вам при вопросах в отношении наших продуктов и принадлежностей к ним.

Пожалуйста, во всех запросах и заказах запчастей обязательно указывайте 10-значный товарный номер по заводской табличке изделия.

Для региона: Россия, Беларусь, Казахстан

Гарантийное обслуживание и ремонт электроинструмента, с соблюдением требований и норм изготовителя производится на территории всех стран только в фирменных или авторизованных сервисных центрах «Роберт Бош». ПРЕДУПРЕЖДЕНИЕ! Использование контрафактной продукции опасно в эксплуатации, может привести к ущербу для Вашего здоровья. Изготовление и распространение контрафактной продукции преследуется по Закону в административном и уголовном порядке.

Россия

Уполномоченная изготовителем организация:
ООО «Роберт Бош» Вашутинское шоссе, вл. 2
141400, г. Химки, Московская обл.
Тел.: +7 800 100 8007
E-Mail: info.powertools@ru.bosch.com
www.bosch-pt.ru

Прочие сервисные адреса находятся на:

www.bosch-pt.com/serviceaddresses

В случае выхода электроинструмента из строя в течение гарантийного срока эксплуатации по вине изготовителя, владелец имеет право на бесплатный гарантийный ремонт, при соблюдении следующих условий:

- отсутствие механических повреждений;
- отсутствие признаков нарушения требований руководства по эксплуатации;
- наличие в руководстве по эксплуатации отметки продавца о продаже и подписи покупателя;
- соответствие серийного номера электроинструмента и серийному номеру в гарантийном талоне;
- отсутствие следов некавалифицированного ремонта.

Гарантия не распространяется на:

- любые поломки, связанные с форс-мажорными обстоятельствами;
- нормальный износ электроинструмента, так же, как и все электрические.

Гарантий не покривається ремонт, потреба в котрому виникає внаслідок нормального износу, скорочуючого строк служби таких частин інструмента, як присоединительные контакти, провiда, щётки и т.п.:

- естественный износ (полная выработка ресурса);
- оборудование и его части, выход из строя которых стал следствием неправильной установки, несанкционированной модификации, неправильного применения, нарушение правил обслуживания или хранения;
- неисправности, возникшие в результате перегрузки электроинструмента. (К безусловным признакам перегрузки инструмента относятся: появление цвета побежалости, деформация или оплавление деталей и узлов электроинструмента, потемнение или обугливание изоляции проводов электродвигателя под действием высокой температуры.)

Транспортировка

На вложенные литий-ионные аккумуляторные батареи распространяются требования в отношении транспортировки опасных грузов. Аккумуляторные батареи могут перевозиться самим пользователем автомобильным транспортом без необходимости соблюдения дополнительных норм.

При пересылке третьими лицами (напр.: самолетом или транспортным экспедитором) необходимо соблюдать особые требования к упаковке и маркировке. В этом случае при подготовке груза к отправке необходимо участие эксперта по опасным грузам.

Пересылайте аккумуляторную батарею только в том случае, если корпус не поврежден. Заклейте открытые контакты и упакуйте аккумуляторную батарею так, чтобы она не болталась в упаковке. Соблюдайте, пожалуйста, также возможные дополнительные национальные предписания.

Утилизация



Электроинструменты, аккумуляторные батареи, принадлежности и упаковку нужно сдавать на экологически чистую рекуперацию.



Не выбрасывайте электроинструменты и аккумуляторные батареи/батарейки в бытовой мусор!

Только для стран-членов ЕС:

Вышедшие из употребления электроинструменты, а также неисправные или отслужившие свой срок аккумуляторы/батареи должны быть утилизированы отдельно. Воспользуйтесь предусмотренными для этого системами сбора.

При неправильной утилизации отработанное электрическое и электронное оборудование может оказать вредное воздействие на окружающую среду и здоровье человека из-за возможного присутствия опасных веществ.

Аккумуляторы/батареи:

Литий-ионные:

Пожалуйста, учитывайте указание в разделе Транспортировка (см. „Транспортировка“, Страница 60).

Українська

Вказівки з техніки безпеки

Загальні вказівки з техніки безпеки для електроінструментів

ПОПЕРЕДЖЕННЯ

Прочитайте всі вказівки з техніки безпеки, інструкції, ілюстрації та специфікації, надані з цим

електроінструментом. Невиконання усіх поданих нижче інструкцій може призвести до ураження електричним струмом, пожежі і/або серйозної травми.

Добре зберігайте на майбутнє ці попередження і вказівки.

Під поняттям «електроінструмент» в цих застереженнях мається на увазі електроінструмент, що працює від мережі (з електрокабелем) або від акумуляторної батареї (без електрокабелю).

Безпека на робочому місці

- ▶ **Тримайте своє робоче місце в чистоті і забезпечте добре освітлення робочого місця.** Безлад або погане освітлення на робочому місці можуть призвести до нещасних випадків.
- ▶ **Не працюйте з електроінструментом у середовищі, де існує небезпека вибуху внаслідок присутності горючих рідин, газів або пилу.** Електроінструменти можуть породжувати іскри, від яких може займатися пил або пари.
- ▶ **Під час праці з електроінструментом не підпускайте до робочого місця дітей та інших людей.** Ви можете втратити контроль над електроінструментом, якщо Ви не будете зосереджені на виконанні роботи.

Електрична безпека

- ▶ **Штепсель електроінструмента повинен пасувати до розетки. Не дозволяється міняти щось в штепселі. Для роботи з електроінструментами, що мають захисне заземлення, не використовуйте адаптери.** Використання оригінального штепселя та належної розетки зменшує ризик ураження електричним струмом.
- ▶ **Уникайте контакту частин тіла із заземленими поверхнями, напр., трубами, батареями опалення, плитами та холодильниками.** Коли Ваше тіло заземлене, існує збільшена небезпека ураження електричним струмом.

- ▶ **Захищайте електроінструменти від дощу і вологи.** Попадання води в електроінструмент збільшує ризик ураження електричним струмом.
- ▶ **Не використовуйте мережний шнур живлення не за призначенням. Ніколи не використовуйте мережний шнур для перенесення або перетягування електроінструмента або витягання штепселя з розетки. Захищайте кабель від тепла, мастила, гострих країв та рухомих деталей електроінструмента.** Пошкоджений або закручений кабель збільшує ризик ураження електричним струмом.
- ▶ **Для зовнішніх робіт обов'язково використовуйте лише такий подовжувач, що придатний для зовнішніх робіт.** Використання подовжувача, що розрахований на зовнішні роботи, зменшує ризик ураження електричним струмом.
- ▶ **Якщо не можна запобігти використанню електроінструмента у вологому середовищі, використовуйте пристрій захисного вимкнення.** Використання пристрою захисного вимкнення зменшує ризик ураження електричним струмом.

Безпека людей

- ▶ **Будьте уважними, слідкуйте за тим, що Ви робите, та розсудливо поведіться під час роботи з електроінструментом. Не користуйтеся електроінструментом, якщо Ви стомлені або знаходитесь під дією наркотиків, спиртних напоїв або ліків.** Мить неухважності при користуванні електроінструментом може призвести до серйозних травм.
- ▶ **Використовуйте засоби індивідуального захисту. Завжди вдягайте захисні окуляри.** Застосування засобів індивідуального захисту для відповідних умов, напр., захисної маски, спецвзуття, що не ковзається, каски та навушників, зменшує ризик травм.
- ▶ **Уникайте випадкового вмикання. Перш ніж увімкнути електроінструмент в електромережу або під'єднати акумуляторну батарею, брати його в руки або переносити, впевніться в тому, що електроінструмент вимкнений.** Тримання пальця на вмикачі під час перенесення електроінструмента або підключення в розетку увімкнутого електроінструмента може призвести до травм.
- ▶ **Перед тим, як вмикати електроінструмент, приберіть налагоджувальні інструменти або гайковий ключ.** Перебування налагоджувального інструмента або ключа в частині електроінструмента, що обертається, може призвести до травм.
- ▶ **Уникайте неприродного положення тіла. Завжди зберігайте стійке положення та тримайте рівновагу.** Це дозволить Вам краще контролювати електроінструмент у небезпечних ситуаціях.
- ▶ **Вдягайте придатний одяг. Не вдягайте просторий одяг та прикраси. Не підставляйте волосся й одяг до деталей, що рухаються.** Просторий одяг, довге

волосся та прикраси можуть потрапити в деталі, що рухаються.

- ▶ **Якщо існує можливість монтувати пиловідсмоктувальні або пилоуловлюючі пристрої, переконайтеся, щоб вони були добре під'єднані та правильно використовувалися.** Використання пиловідсмоктувального пристрою може зменшити небезпеки, зумовлені пилом.
- ▶ **Добре знання електроінструментів, отримане в результаті частого їх використання, не повинно призводити до самовпевненості й ігнорування принципів техніки безпеки.** Необережна дія може в одну мить призвести до важкої травми.

Правильне поводження та користування електроінструментами

- ▶ **Не перевантажуйте електроінструмент. Використовуйте такий електроінструмент, що спеціально призначений для відповідної роботи.** З придатним електроінструментом Ви з меншим ризиком отримаєте кращі результати роботи, якщо будете працювати в зазначеному діапазоні потужності.
- ▶ **Не користуйтеся електроінструментом з пошкодженим вмикачем.** Електроінструмент, який не вмикається або не вимикається, є небезпечним і його треба відремонтувати.
- ▶ **Перед тим, як регулювати що-небудь в електроінструменті, мінати приладдя або ховати електроінструмент, витягніть штепсель із розетки та/або витягніть акумуляторну батарею.** Ці попереджувальні заходи з техніки безпеки зменшують ризик випадкового запуску електроінструмента.
- ▶ **Ховайте електроінструменти, якими Ви саме не користуєтесь, від дітей. Не дозволяйте користуватися електроінструментом особам, що не знайомі з його роботою або не читали ці вказівки.** Використання електроінструментів недосвідченими особами може бути небезпечним.
- ▶ **Старанно доглядайте за електроінструментами і приладдям.** Перевіряйте, щоб рухомі деталі електроінструмента були правильно розташовані та не заїдали, не були пошкодженими або у будь-якому іншому стані, який міг би вплинути на функціонування електроінструмента. Пошкоджені електроінструменти потрібно відремонтувати, перш ніж користуватися ними знову. Велика кількість нещасних випадків спричиняється поганим доглядом за електроінструментами.
- ▶ **Тримайте різальні інструменти нагостреними та в чистоті.** Старанно доглянуті різальні інструменти з гострим різальним краєм менше застряють та легші в експлуатації.
- ▶ **Використовуйте електроінструмент, приладдя до нього, робочі інструменти тощо відповідно до цих вказівок. Беріть до уваги при цьому умови роботи та специфіку виконуваної роботи.** Використання електроінструментів для робіт, для яких вони не

передбачені, може призвести до небезпечних ситуацій.

- ▶ **Тримайте рукоятки і поверхні захвату сухими і чистими, слідкуйте, щоб на них не було оливи або густого мастила.** Слизькі рукоятки і поверхні захвату унеможливають безпечно поводження з електроінструментом та його контролювання в неочікуваних ситуаціях.

Правильне поводження та користування електроінструментами, що працюють на акумуляторних батареях

- ▶ **Заряджайте акумуляторні батареї лише в заряджувальних пристроях, рекомендованих виготовлювачем.** Використання заряджувального пристрою для акумуляторних батарей, для яких він не передбачений, може призводити до пожежі.
- ▶ **Використовуйте в електроінструментах лише рекомендовані акумуляторні батареї.** Використання інших акумуляторних батарей може призводити до травм та пожежі.
- ▶ **Не зберігайте акумуляторну батарею, якою Ви саме не користуєтесь, поряд із канцелярськими скріпками, ключами, цвяхами, гвинтами та іншими невеликими металевими предметами, які можуть спричинити перемикання контактів.** Коротке замикання між контактами акумуляторної батареї може спричинити опіки або пожежу.
- ▶ **При неправильному використанні з акумуляторної батареї може потекти рідина. Уникайте контакту з нею. При випадковому контакті промийте відповідне місце водою. Якщо рідина потрапила в очі, додатково зверніться до лікаря.** Акумуляторна рідина може спричинити подразнення шкіри або опіки.
- ▶ **Не використовуйте пошкоджені або модифіковані акумулятори або електроінструменти.** Пошкоджені або модифіковані акумулятори можуть повестися неочікувано, що може призвести до пожежі, вибуху або ризику травми.
- ▶ **Не піддавайте акумулятор або електроінструмент дії вогню або високих температур.** Вогонь або температури вищі за 130 °C можуть призвести до вибуху.
- ▶ **Виконуйте всі вказівки із заряджання і не заряджайте акумулятор або електроінструмент за температур, що виходять за вказані в інструкції межі.** Неправильне заряджання або заряджання за температур, що виходять за вказані межі, може пошкодити батарею і підвищити ризик займання.

Сервіс

- ▶ **Віддавайте свій електроінструмент на ремонт лише кваліфікованим фахівцям та лише з використанням оригінальних запчастин.** Це забезпечить роботу пристрою протягом тривалого часу.

- ▶ **Ніколи не обслуговуйте пошкоджені акумулятори.** Обслуговувати акумулятори дозволяється лише виробнику або авторизованим сервісним організаціям.

Вказівки з техніки безпеки для дрилів

Вказівки з техніки безпеки для усіх операцій

- ▶ **Під час ударного свердління використовуйте засоби захисту органів слуху.** Шум може пошкодити слух.
- ▶ **При виконанні робіт, при яких приладдя або шурупи можуть зачепити захovanу електропроводку, тримайте інструмент за ізольовані поверхні.** Зачеплення приладдям або шурупом проводки, що знаходиться під напругою, може призвести до зарядження металевих частин електроінструмента та до ураження електричним струмом.

Вказівки з техніки безпеки при роботі з довгими біт-насадками

- ▶ **Ніколи не працюйте зі швидкістю, що перебільшує максимальну номінальну швидкість біт-насадки.** При великій швидкості біт-насадки можуть гнутися, якщо вони обертаються вільно без контакту із заготовкою, що може призвести до тілесних ушкоджень.
- ▶ **Завжди починайте свердлити на низькій швидкості, кінчик біт-насадки повинен торкатися заготовки.** При великій швидкості біт-насадки можуть гнутися, якщо вони обертаються вільно без контакту із заготовкою, що може призвести до тілесних ушкоджень.
- ▶ **Натискуйте лише по прямій до біт-насадки і не притискуйте занадто сильно.** Біт-насадки можуть гнутися і в результаті ламатися або призводити до втрати контролю і внаслідок цього до тілесних ушкоджень.

Додаткові вказівки з техніки безпеки

- ▶ **Негайно вимкніть електроінструмент, якщо робочий інструмент заклинило. Будьте готові до високих реактивних моментів, що призводять до сідання.** Робочий інструмент заклинює при перевантаженні електроінструмента або застряганні інструмента в оброблюваній заготовці.
- ▶ **Міцно тримайте електроінструмент.** При закручуванні і розкручуванні гвинтів/шурупів можуть виникати короткочасні високі реакційні моменти.
- ▶ **Закріплюйте оброблювану заготовку.** За допомогою затискного пристрою або лещат оброблюваний матеріал фіксується надійніше ніж при триманні його в руці.
- ▶ **Для знаходження захованих в стіні труб або електропроводки користуйтеся придатними приладами або зверніться в місцеве підприємство електро-, газо- і водопостачання.** Зачеплення електропроводки може призводити до пожежі та

ураження електричним струмом. Зачеплення газової труби може призводити до вибуху. Зачеплення водопровідної труби може завдати шкоду матеріальним цінностям.

- ▶ **Перед тим, як покласти електроінструмент, зачекайте, поки він не зупиниться.** Адже робочий інструмент може зачепитися за що-небудь, що призведе до втрати контролю над електроприладом.
- ▶ **При пошкодженні або неправильній експлуатації акумуляторної батареї може виходити пар. Акумуляторна батарея може займатись або вибухати.** Впустіть свіже повітря і – у разі скарг – зверніться до лікаря. Пар може подразнювати дихальні шляхи.
- ▶ **Не вносьте конструктивних змін в акумуляторну батарею та не відкривайте її.** Існує небезпека короткого замикання.
- ▶ **Гострими предметами, напр., гвіздками або викрутками, або прикладанням зовнішньої сили можна пошкодити акумуляторну батарею.** Можливе внутрішнє коротке замикання, загоряння, утворення диму, вибух або перегрів акумуляторної батареї.
- ▶ **Використовуйте акумуляторну батарею тільки в продуктах виробника.** Лише за таких умов акумулятор буде захищений від небезпечного перевантаження.



Захищайте акумуляторну батарею від тепла, зокрема, напр., від сонячних променів, вогню, бруду, води та вологи.



Існує небезпека вибуху і короткого замикання.

Опис продукту і послуг



Прочитайте всі застереження і вказівки. Невиконання вказівок з техніки безпеки та інструкцій може призвести до ураження електричним струмом, пожежі та/або важких серйозних травм.

Будь ласка, дотримуйтеся ілюстрацій на початку інструкції з експлуатації.

Призначення приладу

Електроінструмент призначений для закручування і викручування гвинтів, а також для свердління в деревині, метали, кераміці та пластиках і для ударного свердління у цеглі, кам'яній кладці і камені.

Зображені компоненти

Нумерація зображених компонентів посилається на зображення електроінструменту на сторінці з малюнком.

- (1) Патрон
- (2) Швидкозатискний патрон
- (3) Кільце для встановлення обертального моменту
- (4) Кільце для встановлення режиму роботи

- (5) Перемикач швидкості
- (6) Акумуляторна батарея^{a)}
- (7) Кнопка розблокування акумуляторної батареї^{a)}
- (8) Підсвітлювальний світлодіод
- (9) Перемикач напрямку обертання
- (10) Вимикач
- (11) Рукоятка (з ізолюваною поверхнею)
- (12) Біта^{a)}
- (13) Універсальний утримувач біт^{a)}

a) **Це приладдя не входить до стандартного комплекту поставки.**

Технічні характеристики

Акумуляторний ударний дріль		GSB 183-LI
Товарний номер		3 601 JK9 1..
Номінальна напруга	V=	18
Частота обертання холостого ходу ^{A)B)}		
– 1-а швидкість	об/хв	0–440
– 2-а швидкість	об/хв	0–1650
Макс. обертальний момент при закручуванні в жорсткі/м'які матеріали ^{A)B)}	Нм	56/21
Число ударів ^{A)B)}	уд./хв	24000
Макс. Ø свердла		
– Цегляна кладка	мм	10
– Сталь	мм	10
– Дерево	мм	35
Діапазон затискання патрона	мм	13
Макс. Ø гвинтів/шурупів	мм	10
Вага ^{B)}	кг	1,6 (2,0 А-год)– 2,6 (12,0 А-год)
Рекомендована температура навколишнього середовища при заряджанні	°C	0 ... +35
Допустима температура навколишнього середовища при експлуатації ^{C)} і при зберіганні	°C	–20 ... +50
Рекомендовані акумуляторні батареї		GBA 18V... ProCORE18V...

Акумуляторний ударний дріль	GSB 183-LI
Рекомендовані зарядні пристрої	GAL 18... GAX 18... GAL 36...

- A) Виміряно за температури 20–25 °C з акумулятором **GBA 18V 2.0Ah**.
- B) в залежності від використовуваної акумуляторної батареї
- C) обмежена потужність за температури < 0 °C
- Значення можуть відрізнятися залежно від виробу, умов застосування та довкілля. Детальнішу інформацію див. на www.bosch-professional.com/wac.

Інформація щодо шуму і вібрації

Значення звукової емісії визначені відповідно до **EN 62841-2-1**.

A-зважений рівень шуму від електроінструменту, як правило, становить: рівень звукового тиску **86 дБ(A)**; звукова потужність **94 дБ(A)**. Похибка K = 5 дБ.

Вдягайте навушники!

Сумарна вібрація a_h (векторна сума трьох напрямків) і похибка K визначені відповідно до **EN 62841-2-1**:

Свердління в металі: $a_h = 1,0 \text{ м/с}^2$, K = **1,5** м/с^2

Ударне свердління в бетоні: $a_h = 12,8 \text{ м/с}^2$, K = **1,5** м/с^2 ,

Зазначені в цих вказівках рівень вібрації і рівень емісії шуму вимірювалися за визначеною в стандартах процедурою; ними можна користуватися для порівняння приладів. Вони також придатні для попередньої оцінки рівня вібрації і рівня емісії шуму.

Зазначені рівень вібрації і рівень емісії шуму стосуються основних робіт, для яких застосовується електроінструмент. Однак у разі застосування електроінструмента для інших робіт, роботи з іншим приладдям або у разі недостатнього технічного обслуговування рівень вібрації і рівень емісії шуму можуть бути іншими. В результаті рівень вібрації і рівень емісії шуму протягом всього робочого часу можуть значно зрости.

Для точної оцінки рівня вібрації і рівня емісії шуму потрібно також враховувати інтервали часу, коли електроінструмент вимкнений або, хоча й увімкнений, але фактично не працює. Це може значно зменшити сумарний рівень вібрації і рівень емісії шуму протягом робочого часу.

Визначте додаткові заходи безпеки для захисту оператора електроінструмента від вібрації, напр.: технічне обслуговування електроінструмента і робочих інструментів, нагрівання рук, організація робочих процесів.

Монтаж

- ▶ **Перед виконанням будь-яких робіт з електроінструментом (наприклад, при технічному обслуговуванні, заміні деталей тощо) вийміть акумулятор з електроінструменту.** При випадковому увімкненні вимикача існує небезпека поранення.

Заряджання акумуляторної батареї

- ▶ **Використовуйте лише зарядні пристрої, зазначені в технічних даних.** Лише на ці зарядні пристрої розрахований літєво-іонний акумулятор, що використовується у Вашому приладі.

Вказівка: Акумуляторна батарея поставляється частково зарядженою. Щоб акумулятор міг реалізувати свою повну ємність, перед тим, як перший раз працювати з приладом, акумулятор треба повністю зарядити у зарядному пристрої.

Літєво-іонний акумулятор можна заряджати коли завгодно, це не скорочує його експлуатаційний ресурс. Переривання процесу заряджання не пошкоджує акумулятор.

Літєво-іонний акумулятор захищений від глибокого розряджання системою „Electronic Cell Protection (ECP)“. При розрядженому акумуляторі прилад завдяки схемі захисту вимикається. Робочий інструмент більше не рухається.

- ▶ **Після автоматичного вимикання електроінструмента більше не натискайте на вимикач.** Це може пошкодити акумуляторну батарею. Зважайте на вказівки щодо видалення.

Виймання акумулятора

В акумуляторі **(6)** передбачені два ступені блокування, покликані запобігти випадінню акумулятора при ненавмисному натисканні на кнопку розблокування акумулятора **(7)**. Встромлений в електроприлад акумулятор тримається у положенні завдяки пружині. Щоб витягти акумуляторну батарею **(6)**, натисніть на кнопку розблокування **(7)** і витягніть акумуляторну батарею з електроінструмента. **Не застосовуйте при цьому силу.**

Заміна робочого інструмента (див. мал. A)

- ▶ **Перед виконанням будь-яких робіт з електроінструментом (наприклад, при технічному обслуговуванні, заміні деталей тощо) вийміть акумулятор з електроінструменту.** При випадковому увімкненні вимикача існує небезпека поранення.

При ненамисному вимикачі **(10)** свердлильний шпindelь блокується. Це дозволяє швидко, зручно і просто міняти робочий інструмент у свердлильному патроні.

Відкрийте швидкозатискний патрон **(2)**, повертаючи його в напрямку обертання **⌚** настільки, щоб в нього можна було встромити робочий інструмент. Вставте робочий інструмент.

Рукою з силою закрутіть втулку швидкозатискного патрона **(2)** у напрямку **⌚**. При цьому свердлильний патрон автоматично фіксується.

Відсмоктування пилу/тирси/стружки

Пил таких матеріалів, як напр., лакофарбових покриттів, що містять свинець, деяких видів деревини, мінералів і металу, може бути небезпечним для здоров'я. Торкання

або вдихання пилу може викликати у Вас або у осіб, що знаходяться поблизу, алергічні реакції та/або захворювання дихальних шляхів.

Певні види пилу, як напр., дубовий або буковий пил, вважаються канцерогенними, особливо в сполученні з добавками для обробки деревини (хромат, засоби для захисту деревини). Матеріали, що містять азбест, дозволяється обробляти лише спеціалістам.

- Слідкуйте за доброю вентиляцією на робочому місці.
- Рекомендується вдягати респіраторну маску з фільтром класу P2.

Додержуйтеся приписів щодо оброблюваних матеріалів, що діють у Вашій країні.

- **Уникайте накопичення пилу на робочому місці.** Пил може легко займатися.

Робота

Початок роботи

Встановлення акумуляторної батареї

Вказівка: Використання акумуляторних батарей, що не є призначеними для цього електроінструмента, може призвести до перебоїв у роботі або пошкодження електроінструмента.

Встроміть заряджений акумулятор (6) спереду в ніжку електроінструмента, щоб акумулятор добре зафіксувався.

Встановлення напрямку обертання (див. мал. В)

- **Перемикайте перемикач напрямку обертання (9), лише коли електроінструмент повністю зупинений.**

За допомогою перемикача напрямку обертання (9) можна міняти напрямок обертання інструмента. Однак це не можливо, якщо натиснутий вимикач (10).

Праве обертання: Для свердлення і викручування шурупів посуňte перемикач напрямку обертання (9) до упору ліворуч.

Обертання ліворуч: Для послаблення або викручування гвинтів, розкручування гайок та свердел посуňte перемикач напрямку обертання (9) до упору праворуч.

Встановлення режиму роботи



Свердління

Встановіть перемикач режимів роботи (4) на символ «Свердління», щоб досягти максимального крутного моменту при свердлінні та загвинчуванні.



Загвинчування

Встановіть кільце для встановлення режиму роботи (4) на символ «Загвинчування».

Встановіть кільце для встановлення обертального моменту (3) на необхідний обертальний момент.



Ударне свердління

Встановіть кільце для встановлення режиму роботи (4) на символ «Ударне свердління».

Вмикання/вимикання

Щоб **увімкнути** електроінструмент, натисніть на вимикач (10) і тримайте його натиснутим.

Освітлювальний світлодіод (8) вмикається у разі легкого або повного натиснення на вимикач (10) і дозволяє освітлювати робочу зону у разі недостатнього загального освітлення.

Щоб **вимкнути** електроінструмент, відпустіть вимикач (10).

Світлодіодне робоче освітлення з індикацією стану



Світлодіодне робоче освітлення (8) також використовується як індикація стану для захисту пристрою та низького заряду акумулятора:

Світлодіодний зворотний зв'язок	Опис
Світловий сигнал 3х при експлуатації	Низький рівень заряду акумулятора. Напруга акумулятора опустилася нижче оптимального значення. Потужність пристрою обмежена.
Світловий сигнал 3х після зупинки	Захист пристрою активний. Активувався захист пристрою, щоб захистити акумулятор від високого споживання енергії та пристрій від пошкодження.

- Якщо рівень заряду акумулятора низький, зарядіть його (6) або замініть розряджений акумулятор на повністю заряджений.

Регулювання кількості обертів

Кількість обертів увімкнутого електроінструмента можна плавно регулювати більшим чи меншим натисканням на вимикач (10).

При легкому натисканні на вимикач (10) електроінструмент працює з малою кількістю обертів. Із збільшенням сили натискування кількість обертів збільшується.

Встановлення обертального моменту (стосується режиму закручування гвинтів)

За допомогою кільця для встановлення обертального моменту (3) необхідний обертальний момент можна налаштувати в 20 етапів. Після досягнення встановленого обертального моменту робочий інструмент зупиняється.

Механічне перемикання швидкості

- **Перемикайте перемикач швидкості (5), лише коли електроінструмент повністю зупинений.**

1 швидкість:

Мала кількість обертів; для великих діаметрів отвору і для гвинтів.

2 швидкість:

Велика кількість обертів; для малих діаметрів отвору.

- ▶ **Перемикайте перемикач швидкості завжди до упору.** В противному разі електроінструмент може пошкодитися.

Термічний захист від перевантаження

При використанні електроінструменту за призначенням його перевантаження не можливе. При надто сильному навантаженні або при виході за межі допустимого температурного діапазону акумуляторної батареї електроінструмент вимикається і мигає світлодіод на електроінструменті. Дайте електроінструменту вихолонуть, перш ніж продовжувати працювати з ним.

Автоматична фіксація шпинделя (Auto-Lock)

При ненависнутому вимикачі (10) свердлильний шпиндель, а з ним і патрон (1), стопоряться.

Це дозволяє закручувати гвинти, навіть коли акумуляторна батарея (6) розрядилася, та використовувати електроприлад в якості викрутки.

Вказівки щодо роботи

- ▶ **Приставайте електроінструмент до гвинта лише у вимкненому стані.** Робочі інструменти, що обертаються, можуть зісковзувати.

При закручуванні товстих і довгих гвинтів у твердий матеріал рекомендується спочатку просвердлити отвір з діаметром, що відповідає внутрішньому діаметру різьби, прибл. на 2/3 довжини гвинта.

Щоб вийняти біт-насадку або універсальний тримач біт-насадок можна користуватися допоміжним інструментом.

Технічне обслуговування і сервіс**Технічне обслуговування і очищення**

- ▶ **Перед виконанням будь-яких робіт з електроінструментом (наприклад, при технічному обслуговуванні, заміні деталей тощо) вийміть акумулятор з електроінструменту.** При випадковому увімкненні вимикача існує небезпека поранення.
- ▶ **Для якісної і безпечної роботи тримайте електроінструмент і вентиляційні отвори в чистоті.**

Сервіс і консультації з питань застосування

Сервісна майстерня відповість на запитання стосовно ремонту і технічного обслуговування Вашого виробу. Складальні креслення та інформація про запасні частини також розташовані на: **www.bosch-pt.com**

Команда співробітників Bosch з надання консультацій щодо використання продукції із задоволенням відповість на Ваші запитання стосовно нашої продукції та приладдя до неї.

У разі всіх додаткових запитань та замовлення запчастин, будь ласка, обов'язково зазначайте 10-значний номер для замовлення, наведений на заводській табличці продукту.

Гарантійне обслуговування і ремонт електроінструменту здійснюються відповідно до вимог і норм виготовлювача на території всіх країн лише у фірмових або авторизованих сервісних центрах фірми «Роберт Бош». **ПОПЕРЕДЖЕННЯ!** Використання контрафактної продукції небезпечно в експлуатації і може мати негативні наслідки для здоров'я. Виготовлення і розповсюдження контрафактної продукції переслідується за Законом в адміністративному і кримінальному порядку.

Україна

Бош Сервісний Центр електроінструментів

вул. Крайня 1

02660 Київ 60

Тел.: +380 44 490 2407

Факс: +380 44 512 0591

E-Mail: pt-service@ua.bosch.com

www.bosch-professional.com/ua/uk

Адреса Регіональних гарантійних сервісних майстерень за-значена в Національному гарантійному талоні.

Подальші сервісні адреси наведені на:

www.bosch-pt.com/serviceaddresses

Транспортування

На рекомендовані літій-іонні акумуляторні батареї розповсюджуються вимоги щодо транспортування небезпечних вантажів. Акумуляторні батареї можуть перевозитися користувачем автомобільним транспортом без необхідності виконання додаткових норм.

У разі пересилки третіми особами (напр.: повітряним транспортом або транспортним експедитором) потрібно додержуватися особливих вимог щодо упаковки та маркування. В цьому випадку при підготовці посилки повинен брати участь експерт з небезпечних вантажів.

Відсилайте акумуляторну батарею лише з непошкодженим корпусом. Заклейте відкриті контакти та запакуйте акумуляторну батарею так, щоб вона не совалася в упаковці. Дотримуйтеся, будь ласка, також можливих додаткових національних приписів.

Утилізація

Електроприлади, акумуляторні батареї, приладдя і упаковку треба здавати на екологічно чисту повторну переробку.



Не викидайте електроприлади та акумуляторні батареї/батарейки в побутове сміття!

Лише для країн ЄС:

Непридатні до використання та дефектні електроінструменти, а також використані акумуляторні батареї/батарейки необхідно утилізувати окремо. Скористайтеся передбаченими для цього системами збору.

У разі неправильної утилізації відпрацьоване електричне та електронне обладнання може мати шкідливий вплив на

навколишнє середовище та здоров'я людей через можливу наявність небезпечних речовин.

Акумулятори/батареї:

Літєво-юнні:

Будь ласка, зважайте на вказівки в розділі Транспортування (див. „Транспортування“, Сторінка 66).

Қазақ

Еуразия экономикалық одағына (Кеден одағына) мүше мемлекеттер аумағында қолданылады

Өндірушінің өнім үшін қарастырған пайдалану құжаттарының құрамында пайдалану жөніндегі осы нұсқаулық, сонымен бірге қосымшалар да болуы мүмкін.

Сәйкестікті растау жайлы ақпарат қосымшада бар.

Өнімді өндірген мемлекет туралы ақпарат өнімнің корпусында және қосымшада көрсетілген.

Өндірілген мерзімі Нұсқаулық мұқабасының соңғы бетінде көрсетілген.

Импортерге қатысты байланыс ақпарат өнім қаптамасында көрсетілген.

Өнімді пайдалану мерзімі

Өнімнің қызмет ету мерзімі 7 жыл. Өндірілген мерзімнен бастап (өндіру күні зауыт тақтайшасында жазылған) істетпей 5 жыл сақтағаннан соң, өнімді тексерусіз (сервистік тексеру) пайдалану ұсынылмайды.

Көрсетілген қызмет ету мерзімі тұтынушы аталмыш нұсқаулықтың талаптарын орындаған жағдайда ғана жарамды болады.

Істен шығу себептерінің тізімі

- көп үшқын шықса, пайдаланбаңыз
- қатты діріл кезінде пайдаланбаңыз
- тоқ сымы бұзылған немесе оқшаулаусыз болса, пайдаланбаңыз
- өнім корпусынан тікелей түтін шықса, пайдаланбаңыз

Пайдаланушының мүмкін қателіктері

- тұтқасы мен корпусы бұзылған болса, өнімді пайдаланбаңыз
- жауын – шашын кезінде сыртта пайдаланбаңыз
- корпус ішіне су кірсе құрылғыны қосушы болмаңыз

Шекті күй белгілері

- тоқ сымның тозуы немесе зақымдануы
- өнім корпусының зақымдалуы

Қызмет көрсету түрі мен жиілігі

- Әр пайдаланудан соң өнімді тазалау ұсынылады.

Сақтау

- құрғақ жерде сақтау керек
- жоғары температура көзінен және күн сәулелерінің әсерінен алыс сақтау керек
- сақтау кезінде температураның кенет ауытқуынан қорғау керек
- орамасыз сақтау мүмкін емес
- сақтау шарттары туралы қосымша ақпарат алу үшін МЕМСТ 15150-69 (шарт 1) құжатын қараңыз
- +5-ден +40 °C-қа дейін температурасында қоймада өндірушінің қаптамасында сақтаңыз. Салыстырмалы ылғалдылық 80 % -дан аспауы тиіс.

Тасымалдау

- тасымалдау кезінде өнімді құлағуға және кез келген механикалық ықпал етуге қатаң тыйым салынады
- босату/жүктеу кезінде пакетті қысатын машиналарды пайдалануға рұқсат берілмейді
- тасымалдау шарттары талаптарын МЕМСТ 15150-69 (5 шарт) құжатын оқыңыз
- Қоршаған орта температурасы –50 °C-тан +50 °C-қа дейін тасымалдау рұқсат етілген. Салыстырмалы ылғалдылық 100 %-дан аспауы тиіс.

Қауіпсіздік нұсқаулары

Электр құралдары үшін жалпы қауіпсіздік нұсқаулары

⚠ ЕСКЕРТУ

Осы электр құралының жинағындағы ескертулерді,

нұсқауларды, суреттерді және сипаттамаларды оқыңыз. Барлық техникалық қауіпсіздік нұсқаулықтарын орындамау тоқтың соғуына, өрт және/немесе ауыр жарақаттануларға алып келуі мүмкін.

Болашақ жұмыстар үшін қауіпсіздік нұсқаулықтары мен ескертпелерді сақтап қойыңыз.

Қауіпсіздік нұсқаулықтарында пайдаланылған Электр құрал атауының желіден қуат алатын электр құралдарына (желілік кабелі менен) және аккумуляторден қуат алатын электр құралдарына (желілік кабелі жоқ) қатысы бар.

Жұмыс орнының қауіпсіздігі

- ▶ **Жұмыс орнын таза және жарық ұстаңыз.** Ластанған және қараңғы жайларда сәтсіз оқиғалар болуы мүмкін.
- ▶ **Электр құрылғысын жарылатын атмосферада пайдаланбаңыз, мысалы, жанатын сұйықтық, газ немесе шаң бар болғанда.** Электр құрал ұшқындарды жасайды, ал олар шаң немесе буларды жандыруы мүмкін.
- ▶ **Балалар мен бақылаушыларды электр құралынан алыс ұстаңыз.** Алданулар бақылау жоғалуына алып келуі мүмкін.
- ▶ Жабдық тұрмыстық жағдайларда, коммерциялық аймақтарда және қоғамдық жерлерде, зиянды және қауіпті өндірістік факторлар жоқ кіші электр тұтынушы бар өндірістік аймақтарында жұмыс істеу үшін арналған.

Электр қауіпсіздігі

- ▶ **Электр айырлары розеткаға сай боулы тиіс.** Айырды ешқашан ешқандай тәрізде өзгертпеңіз. Жерге қосылған электр құралдарымен адаптер айырларын пайдаланбаңыз. Өзгертілмеген айырлар мен сәйкес розеткалар электр тұйықталуының қауіпін төмендетеді.
- ▶ **Құбырлар, радиаторлар, плиталар мен суытқыштар сияқты жерге қосылған беттерге тимеңіз.** Денеңіз жерге қосылған болса жоғары тоқ соғу қауіпі пайда болады.
- ▶ **Электр құралдарды жаңбырда немесе ылғалды қоршауда пайдаланбаңыз.** Электр құралына кірген су тоқ соғу қауіпін жоғарылатады.
- ▶ **Кабельді тиісті болмаған ретте пайдаланбаңыз.** Кабельді электр құралын тасу, көтеру немесе тоқтан шығару үшін пайдаланбаңыз. Кабельді ыстықтық, май, өткір қырлар және жылжымалы бөлшектерден алыс ұстамаңыз. Зақымдалған немесе бытысып кеткен кабель тоқ соғу қауіпін жоғарылатады.
- ▶ **Электр құралын сыртта пайдаланғанда сыртқы жайлар үшін сай кабельді пайдаланыңыз.** Сыртта пайдалануға жарамды кабельді пайдалану тоқ соғу қауіпін төмендейді.
- ▶ **Егер электр құралын ылғалды жерде пайдалану керек болса, онда қорғайтын өшіру құрылғысы (RCD) арқылы қорғалған тоқ желісін пайдаланыңыз.** RCD пайдалану тоқ соғу қауіпін төмендетеді.

Жеке қауіпсіздік

- ▶ **Электр құралды пайдалануда абай болыңыз, жұмысыңызды бақылаңыз және парасатты пайдаланыңыз.** Электр құралды шаршаған кезде немесе есірткі, алкоголь немесе дәрі әсер еткен кезде пайдаланбаңыз. Электр құралын пайдалану кезінде аңсыздық ауыр жеке жарақаттануға алып келуі мүмкін.
- ▶ **Жеке қорғайтын жабдықтарды пайдаланыңыз.** Өрдайым көз қорғанысын тағыңыз. Шаң маскасы, сырғанбайтын қауіпсіздік аяқ киімдері, шлем немесе есту қорғаныштары сияқты қорғағыш жабдықтары тиісті жағдайларда қолданып жеке жарақаттануларды кемейтеді.
- ▶ **Кездейсоқ іске қосылудың алдын алу.** Тоқ көзіне және немесе батареялар жинағына қосудан алдын, құралды көтеру немесе тасудан алдын өшіргіш өшік күйде болуына көз жеткізіңіз. Электр құралын саусақты өшіргішке қойып тасу немесе қосқышы қосулы электр құралын тоққа қосу сәтсіз оқиғаға алып келуі мүмкін.
- ▶ **Электр құралын қосудан алдын келген реттеу сынасын немесе кілтті алып қойыңыз.** Электр құралының айналатын бөлігінде қалған кілт немесе сына жеке жарақаттануға алып келуі мүмкін.

- ▶ **Көп күш істетпеңіз. Өрдайым тиісті таяныш пен тең салмақтылықты сақтаңыз.** Бұл күтілмеген жағдайларда электр құралдың бақылануын сақтайды.
- ▶ **Тиісті киім киіңіз. Бос киім мен әшекейлерді киймеңіз.** Шашыңыз бен киімдерді жылжымалы бөлшектерден алыс ұстаңыз. Бос киімдер, әшекейлер немесе ұзын шаш жылжымалы бөлшектер арқылы тартылуы мүмкін.
- ▶ **Егер шаң шығарып жинау жабдықтарына қосу құрылғылары берліген болса, онда олар қосулы болуына және тиісті ретте қолдануына көз жеткізіңіз.** Шаң жинауды пайдалану шаңға байланысты зияндарды кемейтеді.
- ▶ **Аспаптарды жиі пайдаланып жақсы білгеннен соң масайрап кетпей қауіпсіздік принциптерін елемей отырмаңыз.** Абайсыз әрекет секунд ішінде ауыр жарақаттануға алып келуі мүмкін.
- ▶ **НАЗАР АУДАРЫҢЫЗ!** Энергиямен жабдықтаудың толықтай не жекелей тоқтатылуы немесе энергиямен жабдықтауды басқару тізбегінің ақаулануы салдарынан электр құралының жұмысында кідіріс пайда болған жағдайда, бұғатталмағандығына көз жеткізіп (болған жағдайда) барып, ажыратқышы Выкл. (Өшіру) қалпына келтіріңіз. Желілік ашаны розеткадан шығарыңыз немесе алып – салмалы аккумуляторды ажыратыңыз. Осы әрекет арқылы бақыланбайтын қайта іске қосылудың алдын аласыз.
- ▶ Аталмыш пайдалану жөніндегі нұсқаулыққа сәйкес білікті қызметкерлер құрамына электр құралын реттеу, монтаждау, қолданысқа енгізу және оған қызмет көрсету әрекеттерімен таныс тұлғалар жатады.
- ▶ Электр құралымен жұмыс істеуге 18 жасқа толған, техникалық сипаттамаы, пайдалану жөніндегі нұсқаулықты және қауіпсіздік ережелерін оқып шыққан тұлғаларға рұқсат етіледі.
- ▶ Дене, сезім немесе ақыл-ой қабілеттері шектеулі немесе тәжірибесі мен білімі жеткіліксіз адамдар олардың қауіпсіздігі үшін жауапты тұлғаның бақылауында болмаса немесе электр құралын пайдалану бойынша нұсқау алмаған болса, бұйымды пайдаланбауы тиіс.

Электр құралдарын пайдалану және күту

- ▶ **Құралды аса көп жүктемеңіз. Жұмысыңыз үшін жарамды электр құралын пайдаланыңыз.** Жарамды электр құралымен керекті жұмыс аймағында дұрыс әрі сенімді жұмыс істейсіз.
- ▶ **Ажыратқышы дұрыс емес электр құралын пайдаланбаңыз.** Қосуға немесе өшіруге болмайтын электр құралы қауіпті болып, оны жөндеу қажет болады.
- ▶ **Жабдықтарды реттеу, бөлшектерін алмастыру немесе электр құралдарын қоймаға қою алдында, ашаны қуат көзінен ажыратыңыз және/немесе аккумуляторы алмалы-салмалы болса, оны электр**

- құралынан алып тастаңыз. Бұл сақтық әрекеті электр құралдың байқаусыз қосылуына жол бермейді.
- ▶ **Пайдаланылмайтын электр құралдарды балалар қолы жетпейтін жайға қойыңыз. Осыларды білмейтін немесе осы ескертпелерді оқымаған адамдарға бұл құралды пайдалануға жол бермеңіз.** Тәжірибесіз адамдар қолында электр құралдары қауіпті болады.
 - ▶ **Электр құралдарын мен керек-жарақтарын ұқыпты күтіңіз. Қозғалмалы бөлшектердің кедергісіз істеуіне және кептеліп қалмауына, бөлшектердің ақаусыз немесе зақымдалмаған болуына, электр құралының зақымдалмағанына көз жеткізіңіз. Зақымдалған бөлшектері бар құралды пайдаланудан алдын жөндеңіз.** Электр құралдарының дұрыс күтілмеуі жазатайым оқиғаларға себеп болып жатады.
 - ▶ **Кескіш аспаптарды өткір және таза күйде сақтаңыз.** Дұрыс күтілген және кескіш жиектері өткір кескіш аспаптар аз кептеліп, кесілетін бетке оңай бағытталады.
 - ▶ **Электр құралын, жабдықтарды, алмалы-салмалы аспаптарды және т.б. осы нұсқауларға сай пайдаланыңыз. Сонымен жұмыс шарттарымен орындайтын әрекеттерге назар аударыңыз.** Электр құралдарын арналмаған жұмыстарда пайдалану қауіпті.
 - ▶ **Қолтұтқалар мен қармау беттерін құрғақ, таза және май мен ластан таза ұстаңыз.** Сырғанақ қолтұтқалар мен қармау беттері күтілмеген жағдайларда сенімді қолдану мен бақылауға жол бермейді.
- Батарея құралын пайдалану және күту**
- ▶ **Тек өндіруші сипаттаған зарядтағышмен қайта зарядтаңыз.** Батарея жинағының бір түріне сай зарядтағыш басқа батарея жинағымен қолдануда өрт қауіпіне адып келуі мүмкін.
 - ▶ **Электр құралдарын тек арнайы тағайындалған батарея жинақтарымен пайдаланыңыз.** Кез келген басқа батарея жинақтарын пайдалану жарақаттану мен өрт қауіпіне алып келеді.
 - ▶ **Егер батарея жинағы қолдануда болмаса, оны түйреуіш, тиын, кілт, шеге, бұранда немесе басқа кіші метал заттардан ұстаңыз, олар бір терминалдан басқасына байланыс жасауы мүмкін.** Батарея терминалдарын қосу күйік немесе өртке алып келуі мүмкін.
 - ▶ **Дұрыс емес пайдалануда батареядан сұйықтық ағуы мүмкін, оған тимеңіз. Егер тиіп қалсаңыз, сумен шайып тастаңыз. Егер сұйықтық көзге тисе дәрігерге хабарласыңыз.** Батареядан шаққан сұйықтық қозу немесе күйіктерге алып келуі мүмкін.
 - ▶ **Зақымдалған немесе өзгертілген батарея жинақтарын пайдаланбаңыз.** Зақымдалған немесе өзгертілген батареялар өртке, жарылуға немесе жарақаттуға алып келуі мүмкін кездейсоқ әрекеттерге алып келуі мүмкін.
- ▶ **Батарея жинағын немесе құралын өртке немесе қатты температураға салдырмаңыз.** 130 °C жоғары температураларда жарылыс болуы мүмкін.
 - ▶ **Барлық зарядтау нұсқауларын орындап батарея жинағын нұсқауларда белгіленген температура ауқымынан тыс жағдайда зарядтамаңыз.** Дұрыс емес зарядтау немесе белгіленген ауқымнан тыс температурада зарядтау батареяны зақымдап өрт қауіпін жоғарылатуы мүмкін.
- Қызмет көрсету**
- ▶ **Электр құралына маманды жөндеуші тек бірдей қосалқы бөлшектермен қызмет көрсетуі керек.** Бұл электр құралының қауіпсіздігін сақталуын қамтамасыз етеді.
 - ▶ **Зақымдалған батарея жинақтарын ешқашан пайдаланбаңыз.** Батарея жинақтарын тек өндіруші немесе өкілетті қызмет көрсету жабдықтаушысы арқылы орындалуы мүмкін.
- Бұрғылар үшін қауіпсіздік нұсқаулары**
- Барлық операциялар үшін қауіпсіздік нұсқаулары**
- ▶ **Перфораторлық бұрғылауда құлақ қорғағыштарын кийіңіз.** Шувылда тұру есті қабілетінің төмендеуіне алып келуі мүмкін.
 - ▶ **Кескіш керек-жарақ немесе бекіткіштер жасырын сымдарға тиюі мүмкін әрекеттерді орындаған кезде электр құралын оқшауланған беттерінен ұстаңыз.** Егер кескіш керек-жарақ немесе бекіткіштер жұмыс істеп тұрған сымға тисе, электр құралының ашық металл бөлшектерін белсендіріп, пайдаланушыға ток соғуы мүмкін.
- Ұзын бұрғы қондырмаларын пайдалану үшін қауіпсіздік нұсқаулары**
- ▶ **Бұрғы қондырмасының максималдық жылдамдығынан жоғары жылдамдықта жұмыс істемеңіз.** Жоғары жылдамдықтарда қондырма дайындамаға тимей бос айналса бүгіліп жеке жарақаттануға алып келуі мүмкін.
 - ▶ **Әрдайым бұрғылауды төмен жылдамдықта және қондырма ұшы дайындамаға тиіп тұрған күйде бастаңыз.** Жоғары жылдамдықтарда қондырма дайындамаға тимей бос айналса бүгіліп жеке жарақаттануға алып келуі мүмкін.
 - ▶ **Қондырмаға сай сызықта басыңыз, тым қатты баспаңыз.** Қондырмалар бүгіліп сынуға немесе бақылау жоғалтуға және жеке жарақаттануға алып келуі мүмкін.
- Қосымша қауіпсіздік нұсқаулықтары**
- ▶ **Сыналанса, электр құралын бірден сөндіріңіз. Тебүді тудыратын жоғары реактивті күштерден абай болыңыз.** Электр құрал егер электр құралы артық жүктелсе немесе өңделетін дайындамада қысылса ол сыналады.

- ▶ **Электр құралын берік ұстаңыз.** Шуруптарды бұрап бекіту және бұрап босату кезінде қысқаша жоғары мезеттер пайда болуы мүмкін.
- ▶ **Дайындаманы бекітіңіз.** Қысу құралына немесе қысқышқа орнатылған дайындама қолыңызбен салыстырғанда, берік ұсталады.
- ▶ **Қажетті іздеу құралдарын пайдаланып жасырылған сымдарды табыңыз немесе жауапты жергілікті ұйым өкілдерін шақырыңыз.** Электр сымдарына тию өрт немесе тоқ соғуына алып келуі мүмкін. Газ құбырын зақымдау жарылысқа алып келуі мүмкін. Су құбырын зақымдау материалдық зиянға алып келуі мүмкін.
- ▶ **Электр құралын жерге қоюдан алдын оның тоқтауын күтіңіз.** Алмалы-салмалы аспап ілініп электр құрал бақылауының жоғалтуына алып келуі мүмкін.
- ▶ **Аккумулятор зақымдалған немесе дұрыс пайдаланылмаған жағдайда, одан бу шығуы мүмкін.** Аккумулятор жанып немесе жарылып қалуы мүмкін. Таза ауа ішке тартыңыз және шағымдар болса, дәрігердің көмегіне жүгініңіз. Бу тыныс алу жолдарын тітіркендіруі мүмкін.
- ▶ **Аккумуляторды өзгертпеңіз және ашпаңыз.** Қысқа тұйықталу қаупі бар.
- ▶ **Шеге немесе бұрауыш сияқты ұшты заттар немесе сыртқы әсер арқылы аккумулятор зақымдануы мүмкін.** Бұл қысқа тұйықталуға алып келіп, аккумулятор жануы, түтін шығаруы, жарылуы немесе қызып кетуі мүмкін.
- ▶ **Аккумуляторды тек өндіруші өнімдері үшін пайдаланыңыз.** Сол арқылы аккумуляторды қауіпті, артық жүктеуден сақтайсыз.



Аккумуляторды, жылудан, сондай-ақ, мысалы, үздіксіз күн жарығынан, оттан, кірден, судан және ылғалдан қорғаңыз. Жарылыс және қысқа тұйықталу қаупі туындайды.



Өнім және құат сипаттамасы



Барлық қауіпсіздік нұсқаулықтарын және ескертпелерді оқыңыз. Техникалық қауіпсіздік нұсқаулықтарын және ескертпелерді сақтамау тоқтың соғуына, өрт және/немесе ауыр жарақаттануларға алып келуі мүмкін.

Пайдалану нұсқаулығының алғы бөлігінің суреттерін ескеріңіз.

Тағайындалу бойынша қолдану

Электр құралы бұрандаларды бұрап кіргізуге және босатуға, сондай-ақ ағаш, металл, керамика мен пластик бойынша бұрғылауға және кірпіш, кірпіш қалау мен тас бойынша соққымен бұрғылауға арналған.

Көрсетілген құрамды бөлшектер

Көрсетілген құрамды бөлшектердің нөмірлері графикалық беттегі электр құралының көрсетіліміне қатысты болып келеді.

- (1) Құрал бекіткіші
- (2) Жылдам қысқыш бұрғылау патроны
- (3) Айналу моментін алдын ала таңдауға арналған реттегіш сақина
- (4) Жұмыс режимін алдын ала таңдауға арналған реттегіш сақина
- (5) Беріліс ауыстырып-қосқышы
- (6) Аккумулятор^{a)}
- (7) Аккумуляторды босату түймесі^{a)}
- (8) Жұмыс шамы (жарық диоды)
- (9) Айналу бағытын ауыстырып-қосқышы
- (10) Ажыратқыш
- (11) Тұтқа (беті оқшауланған)
- (12) Бұрауыш бит^{a)}
- (13) Әмбебап бит ұстағышы^{a)}

a) Бейнеленген құрамдас бөлшектер стандарттық жеткізу көлеміне кірмейді.

Техникалық мәліметтер

Аккумуляторлық перфораторлық бұрғылау құралы		GSB 183-LI
Өнім нөмірі		3 601 JK9 1..
Номиналды кернеу	V=	18
Бос жүріс күйіндегі айналу жиілігі ^{A)B)}		
- 1-беріліс	мин ⁻¹	0–440
- 2-беріліс	мин ⁻¹	0–1650
Қатты/жұмсақ материалдарды бұрап бекіту кезіндегі макс. айналу моменті ^{A)B)}	Нм	56/21
Соққы саны ^{A)B)}	мин ⁻¹	24000
Макс. саңылау диаметрі		
- Кірпіш қалау	мм	10
- Болат	мм	10
- Ағаш	мм	35
Бұрғылау патронының қысу диапазоны	мм	13
Макс. бұранда диаметрі	мм	10
Салмағы ^{B)}	кг	1,6 (2,0 A-car)– 2,6 (12,0 A-car)
Зарядтау кезіндегі ұсынылатын қоршаған орта температурасы	°C	0 ... +35

Аккумуляторлық перфораторлық бұрғылау құралы

GSB 183-LI

Жұмыс кезіндегі ⁽¹⁾ және сақтау кезіндегі рұқсат етілген қоршаған орта температурасы	°C	-20 ... +50
Ұсынылатын аккумуляторлар		GBA 18V... ProCORE 18V...
Ұсынылатын зарядтағыш құрылғылар		GAL 18... GAX 18... GAL 36...

- A) 20–25 °C температурасында **GBA 18V 2.0Ah** аккумуляторымен өлшенеді.
- B) пайдаланған аккумуляторға байланысты
- C) температура < 0 °C болғанда жұмыс күші шектелген көлемде болады

Мәндер өнімге байланысты өзгешеленуі мүмкін, сондай-ақ пайдалану және қоршаған орта шарттарына бағынуы мүмкін. Қосымша ақпаратты мына мекенжай бойынша қараңыз: www.bosch-professional.com/wac.

Шуыл және діріл туралы ақпарат

EN 62841-2-1 бойынша есептелген шуыл эмиссиясының көрсеткіштері.

Электр құралының амплитуда бойынша есептелген шуыл деңгейі әдетте келесідей болады: дыбыстық қысым деңгейі **86 дБ(A)**; дыбыстық қуат деңгейі **94 дБ(A)**. К дәлсіздігі = **5 дБ**.

Құлақ қорғанысын тағыңыз!

Жалпы діріл мәндері a_h , (үш бағыттың векторлық қосындысы) және К дәлсіздігі, **EN 62841-2-1** бойынша есептелген:

Металл бойынша бұрғылау: $a_h = 1,0 \text{ м/с}^2$, $K = 1,5 \text{ м/с}^2$

Бетон бойынша соққымен бұрғылау: $a_h = 12,8 \text{ м/с}^2$, $K = 1,5 \text{ м/с}^2$

Осы нұсқауларда келтірілген діріл деңгейі және шуыл эмиссиясының көрсеткіші заңды өлшеу әдісі бойынша өлшенген және оларды электр құралдарын бір-бірімен салыстыру үшін пайдалануға болады. Олармен алдыңғы тербелу және шу шығаруды бағалауға болады.

Берілген тербелу деңгейі мен шуыл шығару мәні электр құралының негізгі жұмыстары үшін берілген. Егер электр құрал басқа жұмыстар үшін басқа алмалы-салмалы аспаптар менен немесе жетімсіз күтумен пайдаланылса дірілдеу деңгейі мен шуыл шығару мәндері өзгереді. Бұл бүкіл жұмыс уақыты үшін тербелу және шуыл шығаруды қатты көтеруі мүмкін.

Дірілдеу деңгейі мен шуыл шығару мәнін нақты есептеу үшін құрал өшірілген және қосылған болып пайдаланылмаған уақыттарды да ескеру қажет. Бұл дірілдеу деңгейі және жұмыс уақытындағы шуыл шығару мәнін төмендетеді.

Пайдаланушыны дірілдеу әсерінен сақтау үшін қосымша қауіпсіздік шараларын қолдану қажет, мысалы: электр құралды және алмалы-салмалы аспаптарды күту, қолдарды ыстық ұстау, жұмыс әдістерін ұйымдыстыру.

Жинау

- ▶ **Электр құралында кез келген жұмыс өткізбес бұрын (мысалы, техникалық қызмет көрсету, құралды алмастыру және т.б.) аккумуляторды электр құралынан шығарып алыңыз.** Ажыратқышты кездейсоқ басқан жағдайда, жарақат алу қаупі туындайды.

Аккумуляторды зарядтау

- ▶ **Тек техникалық мәліметтерде жазылған зарядтағыш құрылғыларды пайдаланыңыз.** Тек қана мұндай зарядтағыш құрылғылар электр құралыңызда пайдаланылатын литий-иондық аккумулятормен үйлесімді.

Нұсқау: аккумулятор ішінара зарядталған күйде жеткізіледі. Аккумулятордың толық қуатын пайдалану үшін оны алғаш рет пайдаланудан алдын толық зарядтаңыз.

Литий-иондық аккумуляторды пайдалану мерзімін қысқартусыз кез келген уақытта зарядтауға болады. Зарядтау процесін үзу аккумулятордың зақымдалуына әкелмейді.

Литий-иондық аккумулятор "Electronic Cell Protection (ECP)" (электрондық элементтерді қорғау) арқылы терең заряд жоғалтудан қорғалған. Аккумулятор заряды жоқ болса электр құралы қорғаныс схемасы арқылы өшіріледі: алмалы-салмалы аспап басқа қозғалмайды.

- ▶ **Электр құралы автоматты өшкеннен соң қосқыш/өшіргішті енді басушы болмаңыз.** Әйтпесе аккумулятор зақымдануы мүмкін.

Қоқыстарды қайта өңдеу туралы нұсқауларды орындаңыз.

Аккумуляторды шығару

Аккумулятордың **(6)** екі бекіту басқышы бар, олар аккумуляторды ашу пернесінің **(7)** кездейсоқ басылып, аккумулятордың түсіп кетуінен сақтайды. Аккумулятор электр құралында орнатулы болса, оны серіппе жайында ұстап тұрады.

Аккумуляторды **(6)** шығару үшін аккумуляторды босату түймесін **(7)** басыңыз және аккумуляторды электр құралынан тартып шығарыңыз. **Бұл ретте күш салмаңыз.**

Құралды ауыстыру (А суретін қараңыз)

- ▶ **Электр құралында кез келген жұмыс өткізбес бұрын (мысалы, техникалық қызмет көрсету, құралды алмастыру және т.б.) аккумуляторды электр құралынан шығарып алыңыз.** Ажыратқышты кездейсоқ басқан жағдайда, жарақат алу қаупі туындайды.

Ажыратқыш **(10)** басылмаған кезде бұрғылау шпинделі бекітіледі. Бұл бұрғы патронында алмалы-салмалы аспапты жылдам, оңай және жай алмастыруға мүмкіндік береді.

Жылдам тартылатын бұрғылау патронын **(2)** айналу бағытында **1** бұрау арқылы аспап орнатылғаныша ашыңыз. Аспапты орнатыңыз.

Жылдам тартылатын бұрғылау патронының **(2)** төлкесін айналу бағытымен **2** қолмен мықтап бекітіңіз. Бұрғылау патроны автоматты түрде бекітіледі.

Шаңды және жоңқаларды сору

Қорғасын бояу, кейбір ағаш сорттары, минералдар және металлдар бар кейбір материалдардың шаңы денсаулыққа зиянды болуы мүмкін. Шаңға тию және шаңды жұту пайдаланушыда немесе жанындағы адамдарда аллергиялық реакцияларды және/немесе тыныс жолдарының ауруларын тудыруы мүмкін.

Кейбір шаң түрлері, әсіресе емен және шамшат ағашының шаңы, әсіресе, ағашты өңдеу қалдықтарымен (хромат, ағашты қорғау заты) бірге канцерогендер болып есептеледі. Асбестік материал тек қана мамандармен өңделуі керек.

- Жұмыс орнының жақсы желдетілуіне көз жеткізіңіз.
- P2 сүзгі сыныпындағы газқағарды пайдалану ұсынылады.

Өңделетін материалдар үшін еліңізде қолданылатын ұйғарымдарды пайдаланыңыз.

- ▶ **Жұмыс орнында шаңның жиналмауын қадағалаңыз.** Шаң оңай тұтануы мүмкін.

Пайдалану

Пайдалануға ендіру

Аккумуляторды орнату

Нұсқау: Электр құралыңызға арналмаған аккумуляторды пайдалану қате жұмыс істеуіне немесе электр құралының зақымдануына алып келуі мүмкін.

Зарядталған аккумуляторды **(6)** алдыңғы жақтан электр құралының тірегіне аккумулятор берік бұғатталғанша кіргізіңіз.

Бұрау бағытын реттеу (В суретін қараңыз)

- ▶ **Айналу бағытын ауыстырып-қосқышты (9) электр құралы тоқтап тұрғанда ғана пайдаланыңыз.**

Айналу бағытының ауыстырып-қосқышы **(9)** көмегімен айналу бағытын өлшеуге болады. Бірақ қосқышты/өшіргішті **(10)** басқанда бұл мүмкін емес.

Оң жаққа айналу бағыты: бұрғылау және шуруптарды бұрап бекіту үшін айналу бағытының ауыстырып-қосқышын **(9)** солға тірелгенше басыңыз.

Сол жаққа айналу бағыты: бұрандалар мен сомындарды босату немесе бұрап алу үшін айналу бағытының ауыстырып-қосқышын **(9)** оңға тірелгенше басыңыз.

Жұмыс режимін реттеу



Бұрғылау

Бұрғылау және бұрау үшін максималды айналу моментіне қол жеткізу үшін жұмыс

режимін алдын ала таңдауға арналған реттегіш сақинаны **(4)** "Бұрғылау" белгісіне орнатыңыз.



Бұрау

Жұмыс режимін алдын ала таңдауға арналған реттегіш сақинаны **(4)** "Бұрау" белгісіне орнатыңыз.

Айналу моментін алдын ала таңдауға арналған реттегіш сақинаны **(3)** қажетті айналу моментіне орнатыңыз.



Соққымен бұрғылау

Жұмыс режимін алдын ала таңдауға арналған реттегіш сақинаны **(4)** "Соққымен бұрғылау" белгісіне орнатыңыз.

Ажыратқыш

Электр құралды **қосу** үшін қосқышты/өшіргішті **(10)** басып тұрыңыз.

Жарық диоды **(8)** қосу/өшіру қосқышы **(10)** сәл немесе толық басылғанда жанып, жарық жеткіліксіз жұмыс аймақтарын жарықтандыруға мүмкіндік береді.

Электр құралды **өшіру** үшін қосқышты/өшіргішті **(10)** жіберіңіз.

Күй индикаторы бар жарық диодты жұмыс шамы

Жарық диодты жұмыс шамы **(8)**, сондай-ақ құрылғыны қорғауға және төмен аккумулятор зарядына арналған күй индикаторы ретінде қолданылады:



Жарық диодты Сипаттама хабар

Жұмыс кезіндегі 3 рет жыпылықтайты н шам	Аккумулятор зарядының деңгейі төмен. Аккумулятор оңтайлы кернеу мәнінен төмен түсті. Құрылғы қуаты шектеулі.
Қозғалыссыз тұрғаннан кейін 3 рет жыпылықтайты н шам	Құрылғы қорғанысы белсенді. Аккумуляторды жоғары ток шығынынан және құрылғыны зақымдалудан қорғау үшін құрылғы қорғанысы іске қосылды.

- Егер аккумулятор зарядының деңгейі төмен болса, аккумуляторды **(6)** зарядтаңыз немесе заряды төмен аккумуляторды толықтай зарядталған аккумуляторға ауыстырыңыз.

Айналу моментін орнату

Қосқышты/өшіргішті **(10)** басу күшін өзгерте отырып, қосылған құралдың айналымдар санын біртіндеп реттеуге болады.

Қосқышты/өшіргішті **(10)** жай басқанда, электр құрал төменірек айналымдар санымен жұмыс істейді. Басу күші күшейгенде айналу саны артады.

Айналу моментін алдын ала таңдау (бұрап бекіту жұмыс режимі үшін жарамды)

Айналу моментін алдын ала таңдауға арналған реттегіш сақинаның **(3)** көмегімен қажетті айналу моментін 20

қадам бойынша алдын ала таңдауға болады. Реттелген айналу моментіне жеткенде электр құралы тоқтап қалады.

Берілістің механикалық таңдалуы

► Берілісті таңдау ауыстырып-қосқышын (5) электр құрылғысы тоқтап тұрғанда ғана пайдаланыңыз.

1-беріліс:

Төмен айналу жиілігінің диапазоны; үлкен бұрғы диаметрімен жұмыс істеу немесе бұрап бекіту үшін.

2-беріліс:

Жоғары айналу жиілігінің диапазоны; кіші бұрғы диаметрімен жұмыс істеу үшін.

► Беріліс ауыстырып-қосқышын әрдайым тірелгенше жылжытыңыз. Әйтпесе электр құралын зақымдауыңыз мүмкін.

Температураға тәуелді артық жүктемеден қорғаныс

Мақсатына сәйкес пайдалансаңыз, электр құралына артық жүктеме түспейді. Қатты жүктелуде немесе рұқсат етілген аккумулятор жұмыс температурасының аймағынан артып электр құралы өшіп жарық диод электр құралында жыпылықтайды. Жұмысты жалғастырудан алдын электр құралын суытыңыз.

Толық автоматты шпиндель бекіту (Auto-Lock)

Ажыратқыш (10) басылмаған кезде, бұрғылау шпинделі мен құрал бекіткіші (1) бұғатталады.

Бұл аккумулятор (6) заряды таусылғанда да бұраңдаларды бұрап кіргізуге немесе электр құралын бұрауыш ретінде пайдалануға мүмкіндік береді.

Пайдалану нұсқаулары

► Электр құралын бұраңдаға тек өшірілген күйде қойыңыз. Айналып тұрған алмалы-салмалы аспаптар сырғып кетуі мүмкін.

Үлкен шуруптарды қатты материалдарға бұрап бекіту алдында шуруптардың ұзындығының шамамен 2/3 ішкі ирек ойма диаметріне сәйкес келетін диаметрі бар тесікті алдын ала бұрғылау керек.

Бұрауыш биттерді немесе әмбебап бит ұстағышын алып тастау үшін көмекші құралды пайдалануға болады.

Техникалық күтім және қызмет

Қызмет көрсету және тазалау

► Электр құралында кез келген жұмыс өткізбес бұрын (мысалы, техникалық қызмет көрсету, құралды алмастыру және т.б.) аккумуляторды электр құралынан шығарып алыңыз. Ажыратқышты кездейсоқ басқан жағдайда, жарақат алу қаупі туындайды.

► Лайықты әрі қауіпсіз түрде жұмыс істей алу үшін, электр құралды және желдету саңылауларын таза қалыпта ұстаңыз.

Өнімдерді олардың сақтығын қамтамасыз ететін, өнімдерге атмосфералық жауын-шашынның тиюіне және асқын температура көздерінің (температураның шұғыл

өзгерісінің), соның ішінде күн сәулелерінің әсер етуіне жол бермейтін дүкендерде, бөлімдерде (секцияларда), павильондар мен киоскілерде сатуға болады.

Сатушы (өндіруші) сатып алушыға өнімдер туралы қажетті және шынайы ақпаратты беріп, өнімдерді тиісінше таңдау мүмкіндігін қамтамасыз етуге міндетті. Өнімдер туралы ақпарат міндетті түрде тізімі Ресей Федерациясының заңнамасымен белгіленген мәліметтерді қамтуы тиіс.

Егер тұтынушы сатып алатын өнімдер әлдеқашан пайдаланылған немесе өнімдерде ақаулық (ақаулықтар) жойылған болса, тұтынушыға бұл туралы ақпарат берілуі тиіс.

Өнімдерді сату процесінің аясында төмендегі қауіпсіздік талаптары орындалуы тиіс:

- Сатушы сатып алушыға ұйымының фирмалық атауы, орналасқан жері (мекенжайы) және жұмыс режимі туралы мәліметтер беруге міндетті;
- Сауда бөлмелеріндегі өнімдердің сынамалары сатып алушыға бұйымдардағы жазбалармен танысуға мүмкіндік беруі және визуалды тексерістен басқа бұйымдардың іске қосылуына әкелетін, сатып алушылар өз бетінше орындайтын ешқандай әрекеттерге жол бермеуі тиіс;
- Сатушы осы бұйымдардың белгіленген талаптарға сәйкестігінің растамасы, сертификаттардың немесе сәйкестік жөніндегі мәлімдемелердің бар болуы туралы ақпаратты сатып алушыға беруге міндетті;
- Идентификациялық сипаттары жоқ (жоғалған), жарамдылық мерзімі өтіп кеткен, бұзылу белгілері бар және пайдалану бойынша нұсқаулығы (кітапшасы), міндетті сәйкестік сертификаты немесе сәйкестік белгісі жоқ өнімдерді сатуға тыйым салынады.

Тұтынушыға қызмет көрсету және пайдалану кеңестері

Қызмет көрсету орталық өнімді жөндеу және күтім, сондай-ақ қосалқы бөлшектер туралы сұрақтарыңызға жауап береді. Құрамалық сызбаны және қосалқы бөлшектер бойынша деректерді келесі сайтта таба аласыз: www.bosch-pt.com

Құралды пайдалану бойынша кеңес беретін Bosch қызметкерлер тобы өнімдеріміз және оларға арналған қосалқы бөлшектер бойынша сұрақтарыңызға жауап беруге дайын.

Сұрақтарыңызды қойғаныңызда және қосалқы бөлшектерге тапсырыс бергеніңізде ерқашан міндетті түрде өнімнің зауыттық тақтасындағы 10-санды өнім нөмірін атаңыз.

Өндіруші талаптары мен нормаларының сақталуымен электр құралын жөндеу және кепілді қызмет көрсету барлық мемлекеттер аумағында тек “Роберт Бош” фирмалық немесе авторизацияланған қызмет көрсету орталықтарында орындалады. ЕСКЕРТУ! Заңсыз жолмен әкелінген өнімдерді пайдалану қауіпті, денсаулығыңызға зиян келтіруі мүмкін. Өнімдерді заңсыз жасау және тарату әкімшілік және қылмыстық тәртіп бойынша Заңмен қудаланады.

Қазақстан

Тұтынушыларға кеңес беру және шағымдарды қабылдау орталығы:

“Роберт Бош” (Robert Bosch) ЖШС

Алматы қ.,

Қазақстан Республикасы

050012

Муратбаев к., 180 үй

“Гермес” БО, 7 қабат

Тел.: +7 (727) 331 31 00

Факс: +7 (727) 233 07 87

E-Mail: ptka@bosch.com

Сервистік қызмет көрсету орталықтары мен қабылдау пунктерінің мекен-жайы туралы толық және өзекті ақпаратты Сіз: www.bosch-professional.kz ресми сайттан ала аласыз

Сервистік орталықтардың мекенжайларын мұнда таба аласыз:

www.bosch-pt.com/serviceaddresses

Электр құралы кепілді пайдалану мерзімінің ішінде өндірушінің кесірінен істен шыққан жағдайда, өнім иесі төмендегі шарттар орындалғанда кепілдік бойынша тегін жөндеуге құқылы болады:

- механикалық зақымдардың жоқтығы;
- пайдалану бойынша нұсқаулық талаптарының бұзылу белгілерінің жоқтығы;
- пайдалану бойынша нұсқаулықта сатушының сату туралы белгісінің және сатып алушы қолтаңбасының бар болуы;
- электр құралы сериялық нөмірінің және кепілдік талонындағы сериялық нөмірдің сәйкестігі;
- біліксіз жөндеу белгілерінің жоқтығы.

Кепілдік төмендегі жағдайларда қолданылмайды:

- форс-мажор жағдайларына байланысты кез келген сынықтар;
- барлық электр құралдарындағыдай электр құралының қалыпты тозуы.

Жалғағыш контактілер, сымдар, қылшақтар және т.б.

сияқты құрал бөліктерінің қызмет ету мерзімін қысқартатын қалыпты тозу нәтижесінде қажеттілігі туындаған жөндеу кепілдік аясына кірмейді:

- табиғи тозу (ресурстың толық пайдаланылуы);
- қате орнату, рұқсатсыз модификациялау, қате қолдану, қызмет көрсету немесе сақтау ережелерін бұзу нәтижесінде істен шыққан жабдық пен оның бөліктері;
- электр құралына артық жүктеме түскеннен орын алған ақаулар. (Құралға артық жүктеме түсудің шартсыз белгілеріне мыналар жатады: құбылу түсінің пайда болуы немесе электр құралы бөліктері мен түйіндерінің деформациясы немесе қорытылуы, жоғары температура әсерінен электр қозғалтқышындағы сымдар оқшаулағышының қараюы немесе көмірленуі.)

Тасымалдау

Ұсынылатын литий-иондық аккумуляторлар қауіпті өнімдерге қойылатын талаптарға сай болуы керек. Пайдаланушы аккумуляторларды көшеде қосымша құжаттарсыз тасымалдай алады.

Үшінші тараптар арқылы жіберілгенде (мысалы, әуе көлігімен немесе көлік-экспедициялық қызметтер арқылы) қаптамаға және таңбалауға қойылатын арнайы талаптарды ұстану керек. Мұндау жағдайларда, жіберуге дайындау кезінде қауіпті жүктерді тасымалдау бойынша арнайы маманымен хабарласу керек.

Аккумуляторды корпусы зақымдалған болса ғана жіберіңіз. Ашық түйіспелерді желімденің және аккумуляторды орамада қозғалмайтындай ораңыз. Қажет болса, қосымша ұлттық ережелерді сақтаңыз. Қажет болса, қосымша ұлттық ережелерді сақтаңыз.

Кәдеге жарату

Электр құралдарды, аккумуляторларды, керек-жарақтарды және орау материалдарын экологиялық тұрғыдан дұрыс утилизациялауға тапсыру керек.



Электр құралдарды және аккумуляторларды/батареяларды үй қоқысына тастамаңыз!

Тек қана ЕО елдері үшін:

Әрі қарай пайдалануға жарамайтын электр құралдарын және ақаулы немесе тозып біткен аккумуляторларды/батареяларды бөлек кәдеге жарату керек. Арнайы қоқыс жинау жүйелерін пайдаланыңыз.

Лайықсыз түрде кәдеге жаратылған жағдайда, ескі электр және электрондық құралдар, оларда қауіпті заттардың бар болуы ықтималдығы себебінен, қоршаған ортаға және адамдардың денсаулығына қауіпті түрде әсер етуі мүмкін.

Аккумуляторлар/батареялар:**Литий-иондық:**

Тасымалдау бөліміндегі нұсқауларды орындаңыз (қараңыз „Тасымалдау“, Бет 74).

Română**Instrucțiuni de siguranță****Instrucțiuni generale de siguranță pentru scule electrice****AVERTISMENT**

Citiți toate avertizările, instrucțiunile, ilustrațiile și specificațiile puse la dispoziție

împreună cu această sculă electrică. Nerespectarea

instrucțiunilor menționate mai jos poate duce la electrocutare, incendii și/sau vătămări corporale grave.

Păstrați toate indicațiile de avertizare și instrucțiunile în vederea utilizărilor viitoare.

Termenul "sculă electrică" folosit în indicațiile de avertizare se referă la sculele electrice alimentate de la rețea (cu cablu de alimentare) sau la sculele electrice cu acumulator (fără cablu de alimentare).

Siguranța la locul de muncă

- ▶ **Mențineți-vă sectorul de lucru curat și bine iluminat.** Dezordinea sau sectoarele de lucru neluminate pot duce la accidente.
- ▶ **Nu lucrați cu sculele electrice în mediu cu pericol de explozie, în care există lichide, gaze sau pulberi inflamabile.** Sculele electrice generează scântei care pot aprinde praful sau vaporii.
- ▶ **Nu permiteți accesul copiilor și al spectatorilor în timpul utilizării sculei electrice.** Dacă vă este distrasă atenția puteți pierde controlul.

Siguranța electrică

- ▶ **Ștecherul sculei electrice trebuie să fie potrivit prizei electrice. Nu modificați niciodată ștecherul. Nu folosiți fișe adaptoare la sculele electrice cu împământare (legate la masă).** Ștecherule nemodificate și prizele corespunzătoare diminuează riscul de electrocutare.
- ▶ **Evitați contactul corporal cu suprafețe împământate sau legate la masă ca țevi, instalații de încălzire, plite și frigider.** Există un risc crescut de electrocutare atunci când corpul vă este împământat sau legat la masă.
- ▶ **Feriți sculele electrice de ploaie sau umezeală.** Pătrunderea apei într-o sculă electrică mărește riscul de electrocutare.
- ▶ **Nu schimbați destinația cablului. Nu folosiți niciodată cablul pentru transportarea sau suspendarea sculei electrice ori pentru a trage ștecherul afară din priză. Feriți cablul de căldură, ulei, micii ascuțite sau componente aflate în mișcare.** Cablurile deteriorate sau încurcate măresc riscul de electrocutare.
- ▶ **Atunci când lucrați cu o sculă electrică în aer liber, folosiți numai cabluri prelungitoare adecvate pentru mediul exterior.** Folosirea unui cablu prelungitor adecvat pentru mediul exterior diminuează riscul de electrocutare.
- ▶ **Dacă nu poate fi evitată folosirea sculei electrice în mediu umed, folosiți o alimentare protejată printr-un dispozitiv de curent rezidual (RCD).** Utilizarea unui dispozitiv RCD reduce riscul de electrocutare.

Siguranța persoanelor

- ▶ **Fiți atenți, aveți grijă de ceea ce faceți și procedați rațional atunci când lucrați cu o sculă electrică. Nu folosiți scula electrică atunci când sunteți obosiți sau vă aflați sub influența drogurilor, a alcoolului sau a medicamentelor.** Un moment de neatenție în timpul utilizării sculelor electrice poate duce la răni grave.

- ▶ **Purtați echipament personal de protecție. Purtați întotdeauna ochelari de protecție.** Purtarea echipamentului personal de protecție, ca masca pentru praf, încălțăminte de siguranță antiderapantă, casca de protecție sau protecția auditivă, în funcție de tipul și utilizarea sculei electrice, diminuează riscul rănilor.
- ▶ **Evitați o punere în funcțiune involuntară. Înainte de a introduce ștecherul în priză și/sau de a introduce acumulatorul în scula electrică, de a o ridica sau de a o transporta, asigurați-vă că aceasta este oprită.** Dacă atunci când transportați scula electrică țineți degetul pe întrerupător sau dacă porniți scula electrică înainte de a o racorda la rețeaua de curent, puteți provoca accidente.
- ▶ **Înainte de pornirea sculei electrice îndepărtați cleștii de reglare sau cheile fixe din aceasta.** O cheie sau un clește atașat la o componentă rotativă a sculei electrice poate provoca răni.
- ▶ **Nu vă întindeți pentru a lucra cu scula electrică. Mențineți-vă întotdeauna stabilitatea și echilibrul.** Astfel veți putea controla mai bine scula electrică în situații neașteptate.
- ▶ **Purtați îmbrăcăminte adecvată. Nu purtați îmbrăcăminte largă sau podoabe. Feriți părul și îmbrăcăminte de piese aflate în mișcare.** Îmbrăcăminte largă, părul lung sau podoabele pot fi prinse în piesele aflate în mișcare.
- ▶ **Dacă pot fi montate echipamente de aspirare și colectare a prafului, asigurați-vă că acestea sunt racordate și folosite în mod corect.** Folosirea unei instalații de aspirare a prafului poate duce la reducerea poluării cu praf.
- ▶ **Nu vă lăsați amăgiți de ușurința în operare dobândită în urma folosirii frecvente a sculelor electrice și nu ignorați principiile de siguranță ale acestora.** Neglijența poate provoca, într-o fracțiune de secundă, vătămări corporale grave.

Utilizarea și manevrarea atentă a sculelor electrice

- ▶ **Nu suprasolicitați scula electrică. Folosiți pentru executarea lucrării dv. scula electrică destinată aceluși scop.** Cu scula electrică potrivit lucrăți mai bine și mai sigur în domeniul de putere indicat.
- ▶ **Nu folosiți scula electrică dacă aceasta are întrerupător defect.** O sculă electrică, care nu mai poate fi pornită sau oprită, este periculoasă și trebuie reparată.
- ▶ **Scoateți ștecherul afară din priză și/sau îndepărtați acumulatorul dacă este detașabil, înainte de a executa reglaje, a schimba accesorii sau a depozita scula electrică.** Această măsură de prevedere împiedică pornirea involuntară a sculei electrice.
- ▶ **Păstrați sculele electrice nefolosite la loc inaccesibil copiilor și nu lăsați să lucreze cu scula electrică persoane care nu sunt familiarizate cu aceasta sau care nu au citit prezentele instrucțiuni.** Sculele electrice devin periculoase atunci când sunt folosite de persoane lipsite de experiență.

- ▶ **Întrețineți sculele electrice și accesoriile acestora. Verificați alinierea corespunzătoare, controlați dacă, componentele mobile ale sculei electrice nu se blochează, sau dacă există piese rupte sau deteriorate care să afecteze funcționarea sculei electrice. Înainte de utilizare dați la reparat o sculă electrică defectă/piesele deteriorate.** Cauza multor accidente a fost întreținerea necorespunzătoare a sculelor electrice.
- ▶ **Mențineți bine dispozitivele de tăiere bine ascuțite și curate.** Dispozitivele de tăiere întreținute cu grijă, cu tășuri ascuțite se înțepenesc în mai mică măsură și pot fi conduse mai ușor.
- ▶ **Folosiiți scula electrică, accesoriile, dispozitivele de lucru etc. conform prezentelor instrucțiuni, ținând cont de condițiile de lucru și de activitatea care trebuie desfășurată.** Folosirea sculelor electrice în alt scop decât pentru utilizările prevăzute, poate duce la situații periculoase.
- ▶ **Mențineți mânerul și zonele de prindere uscate, curate și ferii-le de ulei și unsoare.** Mânerul și zonele de prindere alunecoase nu permit manevrarea și controlul sigur al sculei electrice în situații neașteptate.

Manevrarea și utilizarea atentă a sculelor electrice cu acumulator

- ▶ **Încărcați acumulatorii numai în încărcătoarele recomandate de producător.** Dacă un încărcător destinat unui anumit tip de acumulator este folosit la încărcarea altor tipuri de acumulator decât cele prevăzute pentru el, există pericol de incendiu.
- ▶ **Folosiiți numai acumulatorii special destinați sculelor electrice respective.** Utilizarea altor acumulatori poate duce la răniri și pericol de incendiu.
- ▶ **Feriiți acumulatorii nefolosiiți de agrafele de birou, monede, chei, cuie, șuruburi sau alte obiecte metalice mici, care ar putea provoca șuntarea bornelor.** Un scurtcircuit între bornele acumulatorului poate duce la arsuri sau incendiu.
- ▶ **În cazul utilizării greșite, se poate scurge lichid din acumulator; evitați contactul cu acesta. În cazul contactului accidental cu acesta, clătiți cu apă zona afectată. În cazul contactului lichidului cu ochii, consultați de asemenea un medic.** Lichidul scurs din acumulator poate produce iritații ale pielii sau arsuri.
- ▶ **Nu folosiți un acumulator sau o sculă electrică cu acumulator deteriorat sau modificat.** Acumulatorii deteriorați sau modificați pot avea un comportament imprevizibil care să ducă la incendiu, explozie sau să genereze risc de vătămări corporale.
- ▶ **Nu expuneți acumulatorul sau scula electrică la foc sau temperaturi excesive.** Expunerea la temperaturi mai mari de 130 °C poate duce la explozii.
- ▶ **Respectați toate instrucțiunile de încărcare și nu reîncărcați acumulatorul sau scula electrică cu acumulator la temperaturi situate în afara domeniului de temperaturi specificat în instrucțiuni.** Încărcarea incorectă sau la temperaturi situate în afara domeniului

de temperaturi specificat ar putea cauza deteriorarea acumulatorului și mări riscul de incendiu.

Întreținere

- ▶ **Încredințați scula electrică pentru reparare personalului de specialitate, calificat în acest scop, repararea făcându-se numai cu piese de schimb originale.** Astfel veți fi siguri că este menținută siguranța sculei electrice.
- ▶ **Nu întrețineți niciodată acumulatorii deteriorați.** Întreținerea acumulatorilor ar trebui efectuată numai de către producător sau de către furnizorii de servicii autorizați de acesta.

Instrucțiuni de siguranță pentru mașini de găurit

Instrucțiuni de siguranță pentru toate lucrările



- ▶ **Purtați aparat de protecție auditivă atunci când găuriți cu percuție.** Expunerea la zgomot poate duce la pierderea auzului.
- ▶ **Țineți scula electrică de mânerul izolat atunci când executați lucrări la care accesoriul de tăiere sau elementele de fixare pot intra în contact cu conductori electrici ascunși.** Contactul accesoriului de tăiere sau al elementelor de fixare cu un conductor aflat „sub tensiune” poate pune „sub tensiune” componentele metalice expuse ale sculei electrice și provoacă electrocutarea operatorului.

Instrucțiuni de siguranță în cazul utilizării de burghie lungi

- ▶ **Nu lucrați niciodată cu o turație mai mare decât turația maximă admisă pentru burghiu.** La turații mai mari, burghiul se poate îndoi dacă este lăsat să se rotească liber, fără a fi în contact cu piesa de lucru, provocând vătămări corporale.
- ▶ **Începeți întotdeauna găurirea cu o turație mai mică și vârful burghiului să fie în contact cu piesa de lucru.** La turații mai mari, burghiul se poate îndoi dacă este lăsat să se rotească liber, fără a fi în contact cu piesa de lucru, provocând vătămări corporale.
- ▶ **Exerțiți forță de apăsare numai colinier cu burghiul și nu apăsați excesiv.** Burghiul se poate îndoi ceea ce poate duce la ruperea lor sau la pierderea controlului, provocând vătămări corporale.

Instrucțiuni de siguranță suplimentare

- ▶ **Opriiți imediat scula electrică, în cazul în care accesoriul se blochează. Fiți pregătiți pentru momente de reacție puternice care generează recul.** Accesoriul se blochează dacă scula electrică este sprasolicită sau este înclinată greșit în piesa de lucru.
- ▶ **Țineți ferm scula electrică.** La strângerea și slăbirea șuruburilor pot apărea pentru scurt timp momente de reacție puternice.
- ▶ **Asigurați piesa de lucru.** O piesă de lucru fixată cu dispozitive de prindere sau într-o menhină este ținută mai sigur decât cu mâna dumneavoastră.

- ▶ **Folosiți detectoare adecvate pentru a localiza conducte de alimentare ascunse sau adresați-vă în acest scop regiei locale furnizare de utilități.** Contactul cu conductorii electrici poate duce la incendiu și electrocutare. Deteriorarea unei conducte de gaz poate provoca explozii. Străpungerea unei conducte de apă provoacă pagube materiale.
 - ▶ **Înainte de a pune jos scula electrică așteptați ca aceasta să se oprească complet.** Dispozitivul de lucru se poate agăța și duce la pierderea controlului asupra sculei electrice.
 - ▶ **În cazul deteriorării sau utilizării necorespunzătoare a acumulatorului, se pot degaja vapori. Acumulatorul poate arde sau exploda.** Aerisiți bine încăperea și solicitați asistență medicală dacă starea dumneavoastră de sănătate se înrăutățește. Vaporii pot irita căile respiratorii.
 - ▶ **Nu modifica și nu deschide acumulatorul.** Există pericolul de scurtcircuit.
 - ▶ **În urma contactului cu obiecte ascuțite ca de exemplu cuie sau șurubelnițe sau prin acțiunea unor forțe exterioare asupra sa, acumulatorul se poate deteriora.** Se poate produce un scurtcircuit intern în urma căruia acumulatorul să se aprindă, să scoată fum, să explodeze sau să se supraincâlzească.
 - ▶ **Utilizează acumulatorul numai la produsele producătorului.** Numai astfel acumulatorul va fi protejat împotriva unei suprasolicitări periculoase.
-  **Feriți acumulatorul de căldură, de asemenea, de exemplu, de radiații solare continue, foc, murdărie, apă și umezeală.** În caz contrar, există pericolul de explozie și scurtcircuit.
- 

Descrierea produsului și a performanțelor sale



Citiți toate indicațiile și instrucțiunile de siguranță. Nerespectarea instrucțiunilor și indicațiilor de siguranță poate provoca electrocutare, incendiu și/sau răni grave.

Țineți seama de ilustrațiile din partea anterioară a instrucțiunilor de folosire.

Utilizarea conform destinației

Scula electrică este destinată înșurubării și deșurubării de șuruburi, găuririi în lemn, metal, ceramică și material plastic și găuririi cu percuție în cărămidă, zidărie și piatră.

Componentele ilustrate

Numerotarea componentelor ilustrate se referă la schița sculei electrice de la pagina grafică.

- (1) Sistem de prindere a accesoriilor
- (2) Mandrină rapidă

- (3) Inel de reglare pentru preselecția cuplului de strângere
- (4) Inel de reglare pentru preselecția modurilor de funcționare
- (5) Comutator de selectare a treptelor de turație
- (6) Acumulator^{a)}
- (7) Tastă de deblocare a acumulatorului^{a)}
- (8) Lampă de lucru (LED)
- (9) Comutator de schimbare a direcției de rotație
- (10) Comutator de pornire/oprire
- (11) Mâner (suprafață izolată de prindere)
- (12) Bit de șurubelniță^{a)}
- (13) Suport universal pentru biți^{a)}

a) **Acest accesoriu nu este inclus în setul de livrare standard.**

Date tehnice

Mașină de găurit cu percuție, cu acumulator		GSB 183-LI
Cod de identificare		3 601 JK9 1..
Tensiune nominală	V=	18
Turație în gol ^{(A)(B)}		
- Treapta 1	rot/min	0-440
- Treapta 2	rot/min	0-1650
Cuplu maxim de strângere, înșurubare tare/moale ^{(A)(B)}	Nm	56/21
Număr de percuții ^{(A)(B)}	min ⁻¹	24000
Diametru maxim de găurire		
- Zidărie	mm	10
- Oțel	mm	10
- Lemn	mm	35
Domeniu de deschidere a mandrinei	mm	13
Diametru maxim de înșurubare	mm	10
Greutate ^(B)	kg	1,6 (2,0 Ah) - 2,6 (12,0 Ah)
Temperatură ambientală recomandată în timpul încărcării	°C	0 ... +35
Temperatură ambientală admisă în timpul funcționării ^(C) și pe perioada depozitării	°C	-20 ... +50
Acumulatori recomandați		GBA 18V... ProCORE18V...

Mașină de găurit cu percuție, cu acumulator		GSB 183-LI
Încărcătoare recomandate		GAL 18... GAX 18... GAL 36...

- A) Măsurat la 20–25 °C cu acumulatorul **GBA 18V 2.0Ah**.
 B) în funcție de acumulatorul utilizat
 C) performanțe limitate la temperaturi < 0 °C

Valorile pot varia în funcție de produs și sunt supuse condițiilor de utilizare, precum și condițiilor de mediu. Pentru informații suplimentare, accesează www.bosch-professional.com/wac.

Informații privind zgomotul/vibrațiile

Valorile zgomotului emis au fost determinate conform **EN 62841-2-1**.

Nivelul de zgomot al sculei electrice evaluat după curba de filtrare A este în parametri normali: nivel de presiune sonoră **86 dB(A)**; nivel de putere sonoră **94 dB(A)**.
 Incertitudinea K = **5 dB**.

Poartă câști antifonice!

Valorile totale ale vibrațiilor a_h (suma vectorială a trei direcții) și incertitudinea K au fost determinate conform **EN 62841-2-1**:

Găurire în metal: $a_h = 1,0 \text{ m/s}^2$, K = **1,5** m/s^2

găurire cu percuție în beton: $a_h = 12,8 \text{ m/s}^2$, K = **1,5** m/s^2 ,

Nivelul vibrațiilor și nivelul zgomotului emise specificate în prezentele instrucțiuni au fost măsurate conform unei proceduri de măsurare standardizate și pot fi utilizate la compararea diferitelor scule electrice. Acestea pot fi folosite și pentru evaluarea provizorie a vibrațiilor și zgomotului emis.

Nivelul specificat al vibrațiilor și al zgomotului emis se referă la cele mai frecvente utilizări ale sculei electrice. În eventualitatea în care scula electrică este utilizată pentru alte aplicații, împreună cu alte accesorii decât cele indicate sau nu, beneficiază de o întreținere satisfăcătoare, nivelul vibrațiilor și nivelul zgomotului emis se pot abate de la valorile specificate. Aceasta poate amplifica considerabil vibrațiile și zgomotul de-a lungul întregului interval de lucru. Pentru o evaluare exactă a vibrațiilor și a zgomotului ar trebui luate în calcul și intervalele de timp în care scula electrică este deconectată sau funcționează, dar nu este folosită efectiv. Această metodă de calcul ar putea duce la reducerea considerabilă a zgomotului pe întreg intervalul de lucru.

Stabiliți măsuri de siguranță suplimentare pentru protejarea utilizatorului împotriva efectului vibrațiilor, ca de exemplu: întreținerea sculei electrice și a accesoriilor, menținerea căldurii mâinilor, organizarea proceselor de muncă.

Montare

- **Înainte de efectuarea oricăror lucrări la scula electrică (de exemplu, întreținere, înlocuirea accesoriului, curățare etc.), scoate acumulatorul din scula electrică.** În cazul acționării involuntare a comutatorului de pornire/oprire, există pericolul de rănire.

Încărcarea acumulatorului

- **Folosiți numai încărcătoarele specificate în datele tehnice.** Numai aceste încărcătoare sunt adaptate la acumulatorul cu tehnologie litiu-ion montat la scula dumneavoastră electrică.

Notă: Acumulatorul este parțial încărcat la livrare. Pentru a asigura funcționarea la capacitatea nominală a acumulatorului, înainte de prima utilizare, încărcați complet acumulatorul în încărcător.

Acumulatorul litiu-ion poate fi încărcat în orice moment, fără ca prin aceasta să i se reducă durata de viață utilă. Întreruperea procesului de încărcare nu afectează acumulatorul.

Acumulatorul Li-Ion este protejat împotriva descărcării profunde prin "Electronic Cell Protection (ECP)". Când acumulatorul s-a descărcat, scula electrică este deconectată printr-un circuit de protecție: dispozitivul de lucru nu se mai mișcă.

- **După deconectarea automată a sculei electrice nu mai apăsați pe întrerupătorul Pornit/Oprit.** Acumulatorul s-ar putea deteriora.

Respectați instrucțiunile privind eliminarea.

Extragerea acumulatorului

Acumulatorul **(6)** este prevăzut cu două trepte de blocare, care au rolul de a preveni căderea acumulatorului din scula electrică în cazul apăsării involuntare a tastei de deblocare a acumulatorului **(7)**. Cât timp acumulatorul este introdus în scula electrică, acesta este fixat în poziție prin forța elastică a unui arc.

Pentru extragerea acumulatorului **(6)**, apăsați tasta de deblocare **(7)** și extrageți acumulatorul din scula electrică. **Nu forța.**

Înlocuirea accesoriului (consultă imaginea A)

- **Înainte de efectuarea oricăror lucrări la scula electrică (de exemplu, întreținere, înlocuirea accesoriului, curățare etc.), scoate acumulatorul din scula electrică.** În cazul acționării involuntare a comutatorului de pornire/oprire, există pericolul de rănire.

Atunci când comutatorul de pornire/oprire **(10)** nu este apăsat, arborele portburghiu este blocat. Aceasta face posibilă schimbarea rapidă, confortabilă și simplă a accesoriului din mandrină.

Deschideți mandrina rapidă **(2)** răsucind-o în direcția de rotație **1** până când scula poate fi montată. Introduceți un accesoriu.

Rotiți manual și cu forță manșonul mandrinei rapide **(2)** în direcția de rotație **2**. Astfel, mandrina se va bloca automat.

Instalație de aspirare a prafului/așchiilor

Pulberile rezultate din prelucrarea de materiale cum sunt vopselele pe bază de plumb, anumite tipuri de lemn, minerale și metal pot fi dăunătoare sănătății. Atingerea sau inspirarea acestor pulberi poate provoca reacții alergice și/sau îmbolnăvirile căilor respiratorii ale utilizatorului sau a le persoanelor aflate în apropiere.

Anumite pulberi cum sunt pulberea de lemn de stejar sau de fag sunt considerate a fi cancerigene, mai ales în combinație cu materiale de adaos utilizate la prelucrarea lemnului (cromat, substanțe de protecție a lemnului). Materialele care conțin azbest nu pot fi prelucrate decât de către specialiști.

- Asigurați buna ventilație a locului de muncă.
- Este recomandabil să se utilizeze o mască de protecție a respirației având clasa de filtrare P2.

Respectați prescripțiile din țara dumneavoastră referitoare la materialele de prelucrat.

- **Evitați acumulările de praf la locul de muncă.** Pulberile se pot aprinde cu ușurință.

Funcționare

Punere în funcțiune

Introducerea acumulatorului

Notă: Folosirea unor acumulatori care nu sunt adecvați sculei dumneavoastră electrice poate duce la deranjamente funcționale sau defectarea acesteia.

Împingeți din față acumulatorul încărcat (6) în soclul sculei electrice, până când acumulatorul este fixat în siguranță în interiorul acesteia.

Reglarea direcției de rotație (consultați imaginea B)

- **Acționați comutatorul de schimbare a direcției de rotație (9) numai cu scula electrică oprită.**

Cu ajutorul comutatorului de schimbare a direcției de rotație (9) puteți schimba direcția de rotație a sculei electrice. Atunci când comutatorul de pornire/oprire (10) este apăsat, acest lucru nu mai este însă posibil.

Funcționare spre dreapta: Pentru găurire și înșurubarea de șuruburi, împingeți comutatorul de schimbare a direcției de rotație (9) spre stânga, până la opritor.

Funcționare spre stânga: Pentru slăbirea, respectiv deșurubarea șuruburilor și piulițelor, apăsați spre dreapta comutatorul de schimbare a direcției de rotație (9), până la opritor.

Reglarea modului de funcționare



Găurire

Poziționează inelul de reglare pentru preselecția modurilor de funcționare (4) în dreptul simbolului „Găurire”, pentru a atinge cuplul maxim de strângere pentru găurire și înșurubare.



Înșurubare

Poziționează inelul de reglare pentru preselecția modurilor de funcționare (4) în dreptul simbolului „Înșurubare”.

Poziționează inelul de reglare pentru preselecția cuplului de strângere (3) în dreptul cuplului de strângere dorit.



Găurire cu percuție

Poziționează inelul de reglare pentru preselecția modurilor de funcționare (4) în dreptul simbolului „Găurire cu percuție”.

Pornirea/oprirea

Pentru **punerea în funcțiune** a sculei electrice, apăsați și mențineți apăsat comutatorul de pornire/oprire (10).

Lampa cu LED-uri (8) se aprinde atunci când comutatorul de pornire/oprire (10) este apăsat ușor sau complet și permite iluminarea zonei de lucru în condiții de luminozitate nefavorabilă.

Pentru **oprirea** sculei electrice, eliberați comutatorul de pornire/oprire (10).

Lampă de lucru cu LED-uri și cu indicator de stare



Lampa de lucru cu LED-uri (8) este utilizată și ca indicator de stare pentru protecția aparatului și pentru nivelul scăzut de încărcare a acumulatorului:

Feedback cu LED	Descriere
Aprindere intermitentă de 3 ori în timpul funcționării	Nivel scăzut de încărcare a acumulatorului. Nivelul de încărcare a acumulatorului a scăzut sub valoarea optimă a tensiunii. Puterea aparatului este limitată.
Aprindere intermitentă de 3 ori după oprire	Protecția aparatului este activă. Protecția aparatului a fost activată pentru a proteja acumulatorul împotriva consumului ridicat de energie electrică și aparatul împotriva deteriorărilor.

- Dacă nivelul de încărcare a acumulatorului este scăzut, încarcă acumulatorul (6) sau înlocuiește acumulatorul descărcat cu un acumulator încărcat complet.

Reglarea turației

Puteți regla fără trepte turația sculei electrice pornite exercitând o apăsare mai puternică sau mai ușoară a comutatorului de pornire/oprire (10).

O apăsare ușoară a comutatorului de pornire/oprire (10) determină o turație mai scăzută. Turația crește odată cu creșterea forței de apăsare.

Preselecția cuplului de strângere (valabil pentru modul de înșurubare)

Cu ajutorul inelului de reglare pentru preselecția cuplului de strângere (3), poți preselecția cuplul de strângere necesar în 20 de trepte. Accesoriul se oprește imediat ce este atins cuplul de strângere reglat.

Selectarea mecanică a treptelor de turație

- **Acționați comutatorul de selectare a treptelor de turație (5) numai cu scula electrică oprită.**

Treapta 1 de viteză:

Domeniu de turații scăzute; pentru executarea de găuri cu diametre mari sau pentru înșurubare.

Treapta 2 de viteză:

Domeniu de turații înalte; pentru executarea de găuri cu diametre mici.

- ▶ **Împingeți întotdeauna până la opritor comutatorul de selectare a treptelor de turație.** În caz contrar, scula electrică se poate deteriora.

Protecția la suprasarcină în funcție de temperatură

Dacă este utilizată conform destinației, scula electrică nu poate fi suprasolicitată. În caz de solicitare prea puternică sau dacă se părește domeniul temperaturilor admise pentru acumulator, scula electrică se va opri din funcționare, iar LED-ul acesteia se va aprinde intermitent. Lasă scula electrică să se răcească înainte de a continua lucrul.

Dispozitivul de blocare complet automată a axului (Auto-Lock)

Atunci când comutatorul de pornire/oprire (10) nu este apăsat, arborele portburghiu și, în consecință, și sistemul de prindere a accesoriilor (1) sunt blocate.

Aceasta permite înșurubarea șuruburilor chiar și atunci când acumulatorul este descărcat (6), respectiv utilizarea sculei electrice pe post de șurubelniță manuală.

Instrucțiuni de lucru

- ▶ **Amplasează scula electrică pe șurub numai în stare oprită.** În caz contrar, accesoriile aflate în rotație pot aluneca.

Înainte de înșurubarea de șuruburi mai mari, mai lungi, în materiale dure, trebuie să executați o gaură prealabilă cu același diametru ca cel am miezul filetului, cu o adâncime de aproximativ 2/3 din lungimea șurubului.

Pentru extragerea capului de șurubelniță sau a suportului universal pentru capete de șurubelniță se poate folosi o sculă ajutătoare.

Întreținere și service

Întreținere și curățare

- ▶ **Înainte de efectuarea oricăror lucrări la scula electrică (de exemplu, întreținere, înlocuirea accesoriului, curățare etc.), scoate acumulatorul din scula electrică.** În cazul acționării involuntare a comutatorului de pornire/oprire, există pericolul de rănire.
- ▶ **Pentru a putea lucra bine și în siguranță, mențineți curate scula electrică și fantele de aerisire ale acesteia.**

Serviciu de asistență tehnică post-vânzări și consultanță clienți

Serviciul nostru de asistență tehnică post-vânzări răspunde întrebărilor dumneavoastră privind întreținerea și repararea produsului dumneavoastră, cât și în ceea ce privește piesele de schimb. Desene explodate și informații cu privire la piesele de schimb găsiți și la: www.bosch-pt.com
Echipa de consultanță clienți Bosch vă răspunde cu plăcere la întrebări privind produsele noastre și accesoriile acestora.

În caz de reclamații și comenzi de piese de schimb, vă rugăm să indicați neapărat numărul de identificare compus din 10 cifre, conform plăcuței indicatoare a tipului produsului.

România

Robert Bosch SRL
PT/MKV1-EA
Service scule electrice
Strada Horia Măcelariu Nr. 30-34, sector 1
013937 București
Tel.: +40 21 405 7541
Fax: +40 21 233 1313
E-Mail: BoschServiceCenter@ro.bosch.com
www.bosch-pt.ro

Alte adrese de service găsiți la:

www.bosch-pt.com/serviceaddresses

Transport

Acumulatorii Li-Ion recomandați respectă cerințele legislației privind transportul mărfurilor periculoase. Acumulatorii pot fi transportați rutier de către utilizator, fără restricții.

În cazul expedierii de către terți (de ex.: transport aerian sau casă de expediții) trebuie respectate cerințele speciale privind ambalajele și marcarea. În acest caz, la pregătirea coletului trebuie să se consulte un expert în domeniul mărfurilor periculoase.

Expediați acumulatorii numai dacă aceștia prezintă carcasa intactă. Acoperiți cu bandă adezivă contactele deschise și ambalați astfel acumulatorii încât aceștia să nu se poată deplasa în interiorul ambalajului. Respectați și alte eventuale norme naționale din domeniu.

Eliminare



Sculele electrice, acumulatorii, accesoriile și ambalajele trebuie direcționate către o stație de revalorificare ecologică.



Nu aruncați sculele electrice și acumulatorii/bateriile în gunoii menajer!

Numai pentru țările UE:

Sculele electrice scoase din uz și acumulatorii/bateriile defecti/defecte sau uzate trebuie eliminați/eliminate separat. În acest scop, utilizează sistemele de colectare prevăzute special.

În cazul evacuării necorespunzătoare la deșeuri, produsele electrice și electronice uzate pot avea efecte dăunătoare asupra mediului și sănătății oamenilor, din cauza posibilei existențe a unor materiale periculoase.

Acumulatori/baterii:

Li-Ion:

Vă rugăm să respectați indicațiile de la paragraful Transport (vezi „Transport”, Pagina 80).

Български

Указания за сигурност

Общи указания за безопасност за електроинструменти

⚠ ПРЕДУПРЕЖДЕНИЕ - Прочетете всички предупреждения, указания, запознайте се с фигурите и техническите характеристики, приложени към електроинструмента. Пропуски при спазването на указанията по-долу могат да предизвикат токов удар и/или тежки травми.

Съхранявайте тези указания на сигурно място.

Използваният по-долу термин "електроинструмент" се отнася до захранвани от електрическата мрежа електроинструменти (със захранващ кабел) и до захранвани от акумулаторна батерия електроинструменти (без захранващ кабел).

Безопасност на работното място

- ▶ **Пазете работното си място чисто и добре осветено.** Разхвърляните или тъмни работни места са предпоставка за инциденти.
- ▶ **Не работете с електроинструмента в среда с повишена опасност от възникване на експлозия, в близост до леснозапалими течности, газове или прахообразни материали.** По време на работа в електроинструментите се отделят искри, които могат да възпламенят прахообразни материали или пари.
- ▶ **Дръжте деца и странични лица на безопасно разстояние, докато работите с електроинструмента.** Ако вниманието Ви бъде отклонено, може да загубите контрола над електроинструмента.

Безопасност при работа с електрически ток

- ▶ **Щепселът на електроинструмента трябва да е подходящ за ползвания контакт. В никакъв случай не се допуска изменение на конструкцията на щепсела.** Когато работите със занулени електроуреди, не използвайте адаптери за щепсела. Ползването на оригинални щепсели и контакти намалява риска от възникване на токов удар.
- ▶ **Избягвайте допира на тялото Ви до заземените тела, напр. тръби, отоплителни уреди, печки и хладилници.** Когато тялото Ви е заземено, рискът от възникване на токов удар е по-голям.
- ▶ **Предпазвайте електроинструмента си от дъжд и влага.** Проникването на вода в електроинструмента повишава опасността от токов удар.
- ▶ **Не използвайте захранващия кабел за цели, за които той не е предвиден. Никога не използвайте захранващия кабел за пренасяне, теглене или откачване на електроинструмента. Предпазвайте кабела от нагряване, омасляване, допир до остри ръбове или до подвижни звена на машини.** Повредени или

усукани кабели увеличават риска от възникване на токов удар.

- ▶ **Когато работите с електроинструмент навън, използвайте само удължителни кабели, подходящи за работа на открито.** Използването на удължител, предназначен за работа на открито, намалява риска от възникване на токов удар.
- ▶ **Ако се налага използването на електроинструмента във влажна среда, използвайте предпазен прекъсвач за утечни токове.** Използването на предпазен прекъсвач за утечни токове намалява опасността от възникване на токов удар.

Безопасен начин на работа

- ▶ **Бъдете концентрирани, следете внимателно действията си и постъпвайте предпазливо и разумно. Не използвайте електроинструмента, когато сте уморени или под влиянието на наркотични вещества, алкохол или упойващи лекарства.** Един миг разсеяност при работа с електроинструмент може да има за последиствие изключително тежки наранявания.
- ▶ **Работете с предпазващо работно облекло. Винаги носете предпазни очила.** Носенето на подходящи за ползвания електроинструмент и извършваната дейност лични предпазни средства, като дихателна маска, здрави плътнотзатворени обувки със стабилен грайфер, защитна каска или шумозаглушители (антисонови), намалява риска от възникване на трудова злополука.
- ▶ **Избягвайте опасността от включване на електроинструмента по невнимание. Преди да включите щепсела в контакта или да поставите батерията, както и при пренасяне на електроинструмента, се уверявайте, че пусковият прекъсвач е позиция "изключено".** Носенето на електроинструменти с пръст върху пусковия прекъсвач или подаването на захранващо напрежение, докато пусковият прекъсвач е включен, увеличава опасността от трудови злополуки.
- ▶ **Преди да включите електроинструмента, се уверявайте, че сте отстранили от него всички помощни инструменти и гаечни ключове.** Помощен инструмент, забравен на въртящо се звено, може да причини травми.
- ▶ **Избягвайте неестествените положения на тялото. Работете в стабилно положение на тялото и във всеки момент поддържайте равновесие.** Така ще можете да контролирате електроинструмента по-добре и по-безопасно, ако възникне неочаквана ситуация.
- ▶ **Работете с подходящо облекло. Не работете с широки дрехи или украшения. Дръжте косата и дрехите си на безопасно разстояние от движещи се звена.** Широките дрехи, украшенията, дългите коси могат да бъдат захванати и увлечени от въртящи се звена.
- ▶ **Ако е възможно използването на външна аспирационна система, се уверявайте, че тя е включена и функционира изправно.** Използването на аспираци-

онна система намалява рисковете, дължащи се на отделящи се при работа прахове.

- **Доброто познаване на електроинструмента вследствие на честа работа с него не е повод за намаляване на вниманието и пренебрегване на мерките за безопасност.** Едно невнимателно действие може да предизвика тежки наранявания само за части от секундата.

Грижливо отношение към електроинструментите

- **Не претоварвайте електроинструмента. Използвайте електроинструментите само съобразно тяхното предназначение.** Щѐ работите по-добре и по-безопасно, когато използвате подходящия електроинструмент в зададения от производителя диапазон на натоварване.
- **Не използвайте електроинструмент, чиито пусков прекъсвач е повреден.** Електроинструмент, който не може да бъде изключван и включван по предвидения от производителя начин, е опасен и трябва да бъде ремонтиран.
- **Преди да извършвате каквито и да е дейности по електроинструмента, напр. настройване, смяна на работен инструмент, както и когато го прибирате, изключвайте щепсела от контакта, респ. изваждайте батерията, ако е възможно.** Тази мярка премахва опасността от задействане на електроинструмента по невнимание.
- **Съхранявайте електроинструментите на места, където не могат да бъдат достигнати от деца. Не допускате те да бъдат използвани от лица, които не са запознати с начина на работа с тях и не са прочели тези инструкции.** Когато са в ръцете на неопитни потребители, електроинструментите могат да бъдат изключително опасни.
- **Поддържайте добре електроинструментите си и аксесоарите им. Проверявайте дали подвижните звена функционират безукорно, дали не заклинват, дали има счупени или повредени детайли, които нарушават или изменят функциите на електроинструмента. Преди да използвате електроинструмента, се погрижете повредените детайли да бъдат ремонтирани.** Много от трудовете злополуки се дължат на недобре поддържани електроинструменти и уреди.
- **Поддържайте режещите инструменти винаги добре заточени и чисти.** Добре поддържаните режещи инструменти с остри ръбове оказват по-малко съпротивление и се водят по-леко.
- **Използвайте електроинструментите, допълнителните приспособления, работните инструменти и т. н., съобразно инструкциите на производителя. При това се съобразявайте и с конкретните работни условия и операции, които трябва да изпълните.** Използването на електроинструменти за различни от предвидените от производителя приложения повишава опасността от възникване на трудови злополуки.

- **Поддържайте дръжките и ръкохватките сухи, чисти и неомаслени.** Хлъзгавите дръжки и ръкохватки не позволяват безопасната работа и доброто контролиране на електроинструмента при възникване на неочаквана ситуация.

Грижливо отношение към акумулаторни електроинструменти

- **За зареждането на акумулаторните батерии използвайте само зарядните устройства, препоръчвани от производителя.** Когато използвате зарядни устройства за зареждане на неподходящи акумулаторни батерии, съществува опасност от възникване на пожар.
- **За захранване на електроинструментите използвайте само предвидените за съответния модел акумулаторни батерии.** Използването на различни акумулаторни батерии може да предизвика трудова злополука и/или пожар.
- **Предпазвайте неизползваните акумулаторни батерии от контакт с големи или малки метални предмети, напр. кламери, монети, ключове, пирони, винтове и др.п., тъй като те могат да предизвикат късо съединение.** Последствията от късото съединение могат да бъдат изгаряния или пожар.
- **При неправилно използване от акумулаторна батерия от нея може да изтече електролит. Избягвайте контакта с него. Ако въпреки това на кожата Ви попадне електролит, изплакнете мястото обилно с вода. Ако електролит попадне в очите Ви, след незабавно обилно изплакване потърсете помощ от лекар.** Електролитът може да предизвика изгаряния на кожата.
- **Не използвайте акумулаторна батерия или електроинструмент, които са повредени или с изменена конструкция.** Повредени или изменени акумулаторни батерии могат да се възпламенят, експлодират или да предизвикат наранявания.
- **Не излагайте акумулаторната батерия на високи температури или огън.** Излагането на огън или температури над 130 °C могат да предизвикат експлозии.
- **Спазвайте всички указания за зареждане на акумулаторната батерия; не я зареждайте, ако температурата ѝ е извън диапазона, посочен в инструкциите.** Неправилното зареждане или зареждането при температури извън допустимия диапазон могат да увредят батерията и увеличават опасността от пожар.

Поддържане

- **Допускате ремонтът на електроинструментите Ви да се извършва само от квалифицирани специалисти и само с използването на оригинални резервни части.** По този начин се гарантира съхраняване на безопасността на електроинструмента.
- **Никога не ремонтирайте повредени акумулаторни батерии.** Ремонтът на акумулаторни батерии трябва да се извършва само от производителя или от оторизиран сервис.

Предупреждения за безопасност за бормашини

Инструкции за безопасност за всякакви дейности

- **Носете защита за ушите при ударно пробиване.** Излагането на шум може да причини загуба на слуха.
- **Когато изпълнявате операция, при която съществува опасност работният инструмент или фиксаторите могат да засегнат скрити под повърхността проводници под напрежение, допирайте електроинструмента само до електролизираните повърхности на ръкохватките.** При контакт на режещия инструмент или фиксатора с проводник под напрежение е възможно напрежението да се предаде по металните детайли на електроинструмента и това да предизвика токов удар.

Инструкции за безопасност при използване на дълги бургии

- **Никога не работете при по-висока от максималната скорост за бургията.** При по-високи скорости бургията може да се огъне, ако ѝ се позволи да се върти свободно без контакт с детайла, а това може да доведе до персонално нараняване.
- **Винаги стартирайте пробиване при ниски скорости и с върха на бургията в контакт с детайла.** При по-високи скорости бургията може да се огъне, ако ѝ се позволи да се върти свободно без контакт с детайла, а това може да доведе до персонално нараняване.
- **Прилагайте натиск само по права линия към бургията и не натискайте твърде много.** Бургиите могат да се огънат и това да доведе до счупване или загуба на контрол, водещо до персонално нараняване.

Допълнителни указания за безопасност

- **Ако работният инструмент се заклини, незабавно изключвайте електроинструмента. Бъдете подготвени за големи реакционни моменти, които предизвикват откат.** Работният инструмент блокира, ако електроинструментът се претовари или се заканти в обработвания детайл.
- **Дръжте електроинструмента здраво.** При завиване и развиване на винтове могат рязко да възникнат силни реакционни моменти.
- **Осигурявайте обработвания детайл.** Детайл, захванат с подходящи приспособления или скоби, е застопорен по здраво и сигурно, отколкото, ако го държите с ръка.
- **Използвайте подходящи прибори, за да откриете евентуално скрити под повърхността тръбопровода, или се обърнете към съответното местно снабдително дружество.** Влизането в съприкосновение с проводници под напрежение може да предизвика пожар и токов удар. Увреждането на газопровод може да доведе до експлозия. Увреждането на водопровод предизвиква значителни материални щети.
- **Преди да оставите електроинструмента, изчакайте въртенето да спре напълно.** В противен случай из-

ползваният работен инструмент може да допре друг предмет и да предизвика неконтролирано преместване на електроинструмента.

- **При повреждане и неправилна експлоатация от акумулаторната батерия могат да се отделят пари. Акумулаторната батерия може да се запали или да експлодира.** Погрижете се за добро проветряване и при оплаквания се обърнете към лекар. Парите могат да раздразнят дихателните пътища.
- **Не променяйте и не отваряйте акумулаторната батерия.** Съществува опасност от възникване на късо съединение.
- **Акумулаторната батерия може да бъде повредена от остри предмети, напр. пирони или отвертки, или от силни удари.** Може да бъде предизвикано вътрешно късо съединение и акумулаторната батерия може да се запали, да запуши, да експлодира или да се прегрее.
- **Използвайте акумулаторната батерия само в продукти на производителя.** Само така тя е предназначена от опасно за нея претоварване.



Предпазвайте акумулаторната батерия от високи температури, напр. вследствие на продължително излагане на директна слънчева светлина, огън, мръсотия, вода и овлажняване. Има опасност от експлозия и късо съединение.

Описание на продукта и дейността



Прочетете внимателно всички указания и инструкции за безопасност. Пропуски при спазването на инструкциите за безопасност и указанията за работа могат да имат за последствие токов удар, пожар и/или тежки травми.

Моля, имайте предвид изображенията в предната част на ръководството за работа.

Предназначение на електроинструмента

Електроинструментът е предназначен за завиване и развиване на винтове, както и за пробиване в дърво, метал, керамични материали и пластмаси и за ударно пробиване в зидария и каменни материали.

Изобразени елементи

Номерирането на изобразените компоненти се отнася до изображението на електроинструмента на графичната страница.

- (1) Гнездо за работен инструмент
- (2) Бързозатегателен патронник
- (3) Пръстен за предварителен избор на въртящия момент
- (4) Пръстен за предварителен избор на режима на работа
- (5) Превключвател за предавките

- (6) Акумулаторна батерия^{a)}
- (7) Бутон за отключване на акумулаторната батерия^{a)}
- (8) Работна светлина (светодиод)
- (9) Превключвател за посоката на въртене
- (10) Пусков прекъсвач
- (11) Ръкохватка (изолирана повърхност за захващане)
- (12) Винтовертен бит^{a)}
- (13) Универсален държач битове^{a)}

a) Тази принадлежност не е включена в стандартната окомплектовка на доставката.

Технически данни

Акумулаторна ударна бормашина		GSB 183-LI	
Каталожен номер		3 601 JK9 1..	
Номинално напрежение	V=	18	
Обороти на празен ход ^{A)B)}			
- 1. предавка	min ⁻¹	0-440	
- 2. предавка	min ⁻¹	0-1650	
Макс. въртящ момент твърдо/меко завинтане ^{A)B)}	Nm	56/21	
Честота на ударите ^{A)B)}	min ⁻¹	24000	
Макс. диаметър на отвора			
- Зидария	mm	10	
- Стомана	mm	10	
- Дърво	mm	35	
Диапазон на захващаните в патронника работни инструменти	mm	13	
Макс. диаметър на винтове	mm	10	
Тегло ^{B)}	kg	1,6 (2,0 Ah) – 2,6 (12,0 Ah)	
Препоръчителна температура на околната среда при зареждане	°C	0 ... +35	
Разрешена температура на околната среда при работа ^{C)} и при складиране	°C	-20 ... +50	
Препоръчителни акумулаторни батерии		GBA 18V... ProCORE18V...	
Препоръчителни зарядни устройства		GAL 18... GAX 18... GAL 36...	

A) Измерено при 20–25 °C с акумулаторна батерия **GBA 18V 2.0Ah**.

B) в зависимост от използваната акумулаторна батерия

C) ограничена производителност при температури под < 0 °C

Стойностите могат да варират според продукта и да зависят от условията на употреба и на околната среда. Допълнителна информация на www.bosch-professional.com/wac.

Информация за излъчван шум и вибрации

Стойностите на емисии на шум са установени съгласно **EN 62841-2-1**.

Равнището A на генерирания шум от електроинструмента обикновено е: равнище на звуковото налягане **86 dB(A)**; мощност на звука **94 dB(A)**. Неопределеност K = **5 dB**.

Работете с шумозаглушители!

Пълната стойност на вибрациите a_h (векторната сума по трите направления) и неопределеността K са определени съгласно **EN 62841-2-1**:

Пробиване в метал: $a_h = 1,0 \text{ m/s}^2$, K = **1,5** m/s^2

Ударно пробиване в бетон: $a_h = 12,8 \text{ m/s}^2$, K = **1,5** m/s^2

Посочените в това ръководство за експлоатация ниво на вибрациите и стойност на емисия на шум са измерени съгласно процедура, определена и може да служи за сравняване с други електроинструменти. Те са подходящи също така за предварителна оценка на емисиите на вибрации и шум.

Посочените ниво на вибрациите и стойност на емисии на шум са представителни за основните приложения на електроинструмента. Ако обаче електроинструментът бъде използван за други дейности, с различни работни инструменти или без необходимото техническо обслужване, нивото на вибрациите и стойността на емисии на шум може да се различават. Това би могло значително да увеличи вибрациите и шума през периода на ползване на електроинструмента.

За по-точното оценяване на вибрациите и шума трябва да се отчетат и периодите, в които електроинструментът е изключен или работи на празен ход. Това би могло значително да намали емисиите на вибрации и шум през периода на ползване на електроинструмента.

Предписвайте допълнителни мерки за предпазване на работещия с електроинструмента от въздействието на вибрациите, например: техническо обслужване на електроинструмента и работните инструменти, поддържане на ръцете топли, целесъобразна организация на работните стъпки.

Монтиране

- **Изваждайте от електроинструмента акумулаторната батерия преди всякакви дейности по електроинструмента (напр. поддръжка, смяна на инструмент и др.).** Съществува опасност от нараняване при задействане на пусковия прекъсвач по невнимание.

Зареждане на акумулаторната батерия

- **Използвайте само посочените в раздела Технически данни зарядни устройства.** Само тези зарядни устройства са подходящи за използваната във Вашия електроинструмент литиево-йонна акумулаторна батерия.

Указание: Акумулаторната батерия се доставя частично заредена. За да достигнете пълния капацитет на акумулаторната батерия, преди първото ѝ използване я заредете докрай в зарядното устройство.

Литиево-йонната акумулаторна батерия може да бъде зареждана по всяко време, без това да съкращава дълготрайността ѝ. Прекъсване на зареждането също не ѝ вреди.

Литиево-йонната акумулаторна батерия е защитена срещу дълбоко разреждане чрез електронната система "Electronic Cell Protection (ECP)". При разреждане на акумулаторната батерия електроинструментът се изключва от предпазен прекъсвач: Работният инструмент спира да се движи.

► **След автоматичното изключване на електроинструмента не продължавайте да натискате пусковия прекъсвач.** Акумулаторната батерия може да бъде повредена.

Спазвайте указанията за бракуване.

Изваждане на акумулаторната батерия

Акумулаторната батерия (6) е с две степени на освобождаване, с което се предотвратява изпадането ѝ при натискане по невнимание на деблокиращия бутон (7). Когато акумулаторната батерия е поставена в електроинструмента, се придържа в нужната позиция от пружина.

За изваждане на акумулаторната батерия (6) натиснете бутона за освобождаване (7) и издърпайте акумулаторната батерия странично от електроинструмента. **При това не прилагайте сила.**

Смяна на инструмент (вж. фиг. А)

► **Изваждайте от електроинструмента акумулаторната батерия преди всякакви дейности по електроинструмента (напр. поддръжка, смяна на инструмент и др.).** Съществува опасност от нараняване при задействане на пусковия прекъсвач по невнимание.

Когато пусковият прекъсвач (10) не е натиснат, валът на електроинструмента се блокира. Това позволява бързата, удобна и лесна замяна на работния инструмент в патронника.

Разтворете патронника за бързо захващане (2) чрез завъртане в посока ⚙, докато работният инструмент може да бъде поставен. Вкарайте инструмента.

Завъртете силно на ръка втулката на патронника за бързо захващане (2) в посоката на въртене ⚙. Така патронникът автоматично захваща работния инструмент.

Система за прахоулавяне

Прахове, отделящи се при обработването на материали като съдържащи олово бои, някои видове дървесина, минерали и метали могат да бъдат опасни за здравето. Контактът до кожата или вдишването на такива прахове могат да предизвикат алергични реакции и/или заболявания на дихателните пътища на работещия с електроинструмента или намиращи се наблизо лица.

Определени прахове, напр. отделящите се при обработване на бук и дъб, се считат за канцерогенни, особено в комбинация с химикали за третиране на дървесина (хромат, консерванти и др.). Допуска се обработването на съ-

държащи азбест материали само от съответно обучени квалифицирани лица.

- Осигурявайте добро проветряване на работното място.
- Препоръчва се използването на дихателна маска с филтър от клас P2.

Спазвайте валидните във Вашата страна законови разпоредби, валидни при обработване на съответните материали.

► **Избягвайте натрупване на прах на работното място.** Прахът може лесно да се самовъзпламени.

Работа с електроинструмента

Пускане в експлоатация

Поставяне на акумулаторната батерия

Указание: Използването на акумулаторни батерии, които не са предназначени за Вашия електроинструмент, може да предизвика неправилното му функциониране или да го повреди.

Вкарайте заредената акумулаторна батерия (6) отпред в основата на електроинструмента и го притиснете, докато бъде захваната здраво.

Настройване на посоката на въртене (вж. фиг. В)

► **Задействайте превключвателя за посоката на въртене (9) само когато електроинструментът е в покой.**

С помощта на превключвателя (9) можете да смените посоката на въртене на електроинструмента. Това обаче не е възможно при натиснат пусков прекъсвач (10).

Въртене надясно: За пробиване и завиване на винтове натиснете превключвателя за посоката на въртене (9) до упор наляво.

Въртене наляво: За развиване на винтове и гайки натиснете превключвателя за посоката на въртене (9) надясно до упор.

Избор на режима на работа



Пробиване

Настройте пръстена за предварителен избор на режима на работа (4) на символа "Пробиване", за да достигнете максимален въртящ момент за пробиване.



Завинтване

Поставете пръстена за предварителен избор на режима на работа (4) върху символа "Завинтване".

Настройте пръстена за предварителен избор на въртящия момент (3) на желанния въртящ момент.



Ударно пробиване

Поставете пръстена за предварителен избор на режима на работа (4) на символа "Ударно пробиване".

Включване и изключване

За **включване** на електроинструмента натиснете и задържете пусковия прекъсвач **(10)**.

Светодиодът **(8)** свети при частично или напълно натиснат пусков прекъсвач **(10)** и при неблагоприятни светлинни условия подобрява видимостта в зоната на работа. За да **изключите** електроинструмента, отпуснете пусковия прекъсвач **(10)**.

LED работна светлина с индикация на статуса



LED работната светлина **(8)** се използва и като индикация на статуса за защита на уреда и ниско ниво на акумулаторната батерия:

LED обратно съобщение	Описание
Мигаща светлина 3х при работа	Ниско ниво на акумулаторната батерия. Акумулаторната батерия е паднала под оптималната стойност на напрежение. Мощността на уреда се ограничава.
Мигаща светлина 3х след спиране	Защита на уреда активна. Защитата на уреда е активирана, за да се предпазят акумулаторната батерия от висок разход на ток, а уредът - от щети.

– Ако нивото на акумулаторната батерия е ниско, заредете батерията **(6)** или сменете изтощената с напълно заредена.

Регулиране на скоростта на въртене

Можете безстепенно да регулирате скоростта на въртене на електроинструмента по време на работа в зависимост от силата на натиска върху пусковия прекъсвач **(10)**.

По-лек натиск върху пусковия прекъсвач **(10)** води до по-ниска скорост на въртене. С увеличаване на натиска нараства и скоростта на въртене.

Предварителен избор на въртящ момент (важи за режим на работа Завиване)

С помощта на пръстена за настройка на въртящия момент **(3)** можете да настроите предварително необходимия въртящ момент на 20 степени. При достигането на избрания въртящ момент работният инструмент спира.

Механичен редуктор

► **Задействайте превключвателя за избор на ход (5) само когато електроинструментът е в покой.**

Предавка 1:

Нисък диапазон на скоростта на въртене; при работа със свредла с голям диаметър или при завиване.

Предавка 2:

Висока скорост на въртене; за пробиване със свредла с малък диаметър.

► **Премествайте превключвателя за предавките винаги до упор.** В противен случай електроинструментът може да бъде повреден.

Температурна защита срещу претоварване

При ползване съобразно предназначението и инструкциите в това ръководство електроинструментът не може да бъде претоварен. При твърде голямо натоварване или при излизане от допустимия температурен интервал на акумулаторната батерия електроинструментът се изключва и светодиодът му започва да мига. Преди да продължите работа, изчакайте електроинструментът да се охлади.

Автоматично блокиране на вала (Auto-Lock)

Когато пусковият прекъсвач **(10)** не е натиснат, валът на електроинструмента, а с това и патронникът **(1)**, са блокирани.

Това позволява завиването на винтове също и при изхабена акумулаторна батерия **(6)**, респ. използването на електроинструмента като обикновена отвертка.

Указания за работа

► **Допирайте електроинструмента до винта само когато е изключен.** Въртящият се работен инструмент може да се изметне.

Преди завиването на по-големи и по-дълги винтове в твърди материали трябва да пробиете отвор с вътрешния диаметър на резбата прилб. на 2/3 от дължината на винта. За да демонтирате накрайници за завиване/развиване или универсалното гнездо за накрайници, можете да използвате помощен инструмент.

Поддържане и сервис

Поддържане и почистване

- **Изваждайте от електроинструмента акумулаторната батерия преди всякакви дейности по електроинструмента (напр. поддръжка, смяна на инструмент и др.).** Съществува опасност от нараняване при задействане на пусковия прекъсвач по невнимание.
- **За да работите добре и безопасно, поддържайте чисти електрическия инструмент и вентилационните отвори.**

Клиентска служба и консултация относно употребата

Отделът за обслужване на клиенти отговаря на Вашите въпроси относно ремонта и поддръжката на Вашия уред, както и относно резервни части. Чертежи на частите в разглобен вид и информация относно резервни части ще намерите също тук: www.bosch-pt.com

Екипът за консултации за употреба на Bosch ще Ви помогне с удоволствие, ако имате въпроси относно нашите уреди и техните принадлежности.

При всякакви уточнителни въпроси и поръчки на резервни части, моля, посочвайте непременно 10-цифрения материален номер, посочен на фирмената табелка на уреда.

България

Robert Bosch SRL
Service scule electrice
Strada Horia Măcelariu Nr. 30–34, sector 1
013937 București, România
Тел.: +359(0)700 13 667 (Български)
Факс: +40 212 331 313
Email: BoschServiceCenterBG@ro.bosch.com
www.bosch-pt.com/bg/bg/

Допълнителни адреси на сервиси ще намерите на:
www.bosch-pt.com/serviceaddresses

Транспортиране

Препоръчаните литиевоионни акумулаторни батерии подлежат на изискванията на законодателството за опасни товари. Потребителят може да транспортира акумулаторните батерии по пътищата без допълнителни условия. При експедиране от трети страни (напр.: въздушен транспорт или спедиция) трябва да се вземат под внимание специални изисквания към опаковката и маркировката. За целта при подготовката на пакетиранието се консултирайте с експерт в съответната област. Изпращайте акумулаторни батерии само ако корпусът им не е повреден. Изолирайте контактните клеми с изолирбанд и опаковайте акумулаторната батерия така, че да не може да се премества в опаковката. Моля, спазвайте и изискванията на местното законодателство.

Бракуване

Електроинструментите, акумулаторните батерии и допълнителните приспособления трябва да бъдат предавани за оползотворяване на съдържащите се в тях суровини.



Не изхвърляйте електроинструменти и акумулаторни или обикновени батерии при битовите отпадъци!

Само за страни от ЕС:

Негодните за употреба електроинструменти и дефектните или изразходвани акумулаторни/обикновени батерии трябва да се изхвърлят разделно. Използвайте предвидените системи за събиране.

При неправилно изхвърляне излезли от употреба електрически и електронни уреди могат да имат вредни ефекти върху околната среда и човешкото здраве поради евентуално наличие на опасни вещества.

Акумулаторни или обикновени батерии:**Литиево-йонни:**

Моля, спазвайте указанията в раздела Транспортиране (вж. „Транспортиране“, Страница 87).

Македонски**Безбедносни напомени****Општи предупредувања за безбедност за електрични алати****⚠ ПРЕДУ- ПРЕДУВАЊЕ** Прочитајте ги сите безбедносни предупредувања, илустрации и спецификации приложени со

овој електричен алат. Непридржувањето до сите упатства приложени подолу може да доведе до струен удар, пожар и/или тешки повреди.

Зачувајте ги безбедносниот предупредувања и упатства за користење и за во иднина.

Поимот „електричен алат“ во безбедносниот предупредувања се однесува на електрични апарати што користат струја (кабелски) или апарати што користат батерии (акумулаторски).

Безбедност на работниот простор

- ▶ **Работниот простор одржувајте го чист и добро осветлен.** Преполни или темни простории може да доведат до несреќа.
- ▶ **Не работете со електричните алати во експлозивна околина, како на пример, во присуство на запаливи течности, гасови или прашина.** Електричните алати создаваат искри коишто може да ја запалат прашината или гасовите.
- ▶ **Држете ги децата и присутните подалеку додека работите со електричен алат.** Невниманието може да предизвика да изгубите контрола.

Електрична безбедност

- ▶ **Приклучокот на електричниот алат мора да одговара на приклучницата. Никогаш не го менувајте приклучокот. Не користите приклучни адаптери со заземјените електрични алати.** Неизменетите приклучоци и соодветните приклучници го намалуваат ризикот од струен удар.
- ▶ **Избегнувајте телесен контакт со заземјени површини, како на пример, цевки, радијатори, метални ланци и ладилници.** Постои зголемен ризик од струен удар ако вашето тело е заземјено.
- ▶ **Не ги изложувајте електричните алати на дожд или влажни услови.** Ако влезе вода во електричниот алат, ќе се зголеми ризикот од струен удар.
- ▶ **Не постапувајте несоодветно со кабелот. Никогаш не го користете кабелот за носење, влечење или исклучување од струја на електричниот алат. Кабелот чувајте го подалеку од оган, масло, остри ивици или подвижни делови.** Оштетени или заплеткани кабли го зголемуваат ризикот од струен удар.
- ▶ **При работа со електричен алат на отворено, користете продолжен кабел соодветен за надворешна употреба.** Користењето на кабел

соодветен за надворешна употреба го намалува ризикот од струен удар.

- ▶ **Ако мора да работите со електричен алат на влажно место, користете заштитен уред за диференцијална струја (RCD).** Користењето на RCD го намалува ризикот од струен удар.

Лична безбедност

- ▶ **Бидете внимателни, внимавајте како работите и работете разумно со електричен алат. Не користете електричен алат ако сте уморни или под дејство на дроги, алкохол или лекови.** Еден момент на невнимание додека работите со електричните алати може да доведе до сериозна лична повреда.
- ▶ **Користете лична заштитна опрема. Секогаш носете заштита за очи.** Заштитната опрема, како на пр., маска за прашина, безбедносни чевли коишто не се лизгаат, шлем или заштита за уши, коишто се користат за соодветни услови, ќе доведат до намалување на лични повреди.
- ▶ **Спречете ненамерно активирање. Проверете дали прекинувачот е исклучен пред да го вклучите во струја и/или со сетот на батерии, пред да го земете или носите алатот.** Носење на електричните алати со прстот позициониран на прекинувачот или вклучување во струја на електричните алати чијшто прекинувачот е вклучен, може да предизвика несреќа.
- ▶ **Отстранете каков било клуч за регулирање или француски клуч пред да го вклучите електричниот алат.** Француски клуч или клуч прикачен за ротирачкиот дел на електричниот алат може да доведе до лична повреда.
- ▶ **Не ги пречекорувајте ограничувањата. Постојано одржувајте соодветна положба и рамнотежа.** Ова овозможува подобра контрола на електричниот алат во непредвидливи ситуации.
- ▶ **Облечете се соодветно. Не носете широка облека и накит. Косата и алиштата треба да бидат подалеку од подвижните делови.** Широката облека, накитот или долгата коса може да се закачат за подвижните делови.
- ▶ **Ако се користат поврзани уреди за вадење прашина и собирање предмети, проверете дали се правилно поврзани и користени.** Собирањето прашина може да ги намали опасностите предизвикани од неа.
- ▶ **Не дозволувајте искуството стекнато со честа употреба на алатите да ве направи спокојни и да ги игнорирате безбедносните принципи при нивното користење.** Невнимателно движење може да предизвика сериозна повреда во дел од секунда.

Употреба и чување на електричните алати

- ▶ **Не го препотваравајте електричниот алат. Користете соодветен електричен алат за намената.** Со соодветниот електричен алат подобро, побезбедно и побрзо ќе ја извршите работата за која е наменет.

- ▶ **Не користете електричен алат ако не можете да го вклучите и исклучите со помош на прекинувачот.** Секој електричен алат којшто не може да се контролира со прекинувачот е опасен и мора да се поправи.
- ▶ **Исклучете го електричниот алат од струја и/или извадете го сетот на батерии, ако се вади, пред да правите некакви прилагодувања, менувате дополнителна опрема или го складирате електричниот алат.** Со овие превентивни безбедносни мерки се намалува ризикот од случајно вклучување на електричниот алат.
- ▶ **Чувајте ги електричните алати подалеку од дофат на деца и не дозволувајте лицата кои не ракувале со електричниот алат или не се запознаени со ова упатство да работат со истиот.** Електричните алати се опасни во рацете на необучени корисници.
- ▶ **Одржување на електрични алати и дополнителна опрема. Проверете го порамнувањето или прицврстување на подвижните делови, спојот на деловите и сите други услови што може негативно да влијаат врз функционирањето на електричниот алат. Ако е оштетен, однесете го електричниот алат на поправка пред да го користите.** Многу несреќи се предизвикани заради несоодветно одржување на електричните алати.
- ▶ **Острете и чистете ги алатите за сечење.** Соодветно одржуваните ивици на алатите за сечење помалку се виткаат и полесно се контролираат.
- ▶ **Електричниот алат, дополнителната опрема, деловите и др., користете ги во согласност со ова упатство, внимавајте на работните услови и работата која ја вршите.** Користењето на електричниот алат за други намени може да доведе до опасни ситуации.
- ▶ **Рачките и површините за држење одржувајте ги суви, чисти и неизмастени.** Рачките и површините за држење што се лизгаат не овозможуваат безбедно ракување и контрола на алатот во непредвидливи ситуации.

Употреба и чување на батериски алат

- ▶ **Полнете ја батеријата само со полнач наведен од производителот.** Полнач којшто е соодветен за еден тип сет на батерии може да предизвика опасност од пожар ако се користи за друг сет на батерии.
- ▶ **Електричните алати користете ги само со специјално наменети сетови на батерии.** Користењето на други сетови на батерии може да предизвика опасност од повреда или пожар.
- ▶ **Кога не го користите сетот на батерии, чувајте го подалеку од други метални предмети, како на пр., спојувалки, монети, клучеви, шајки, завртки или други помали метални предмети што може да предизвикаат спој од еден до друг извор.** Краток спој на батериските извори може да предизвика изгореници или пожар.

- ▶ **Под непредвидени околности, течноста може да истече од батеријата; избегнувајте контакт. При случаен допир, измијте се со млаз вода. Ако течноста влезе во очите, побарајте дополнителна медицинска помош.** Течноста истечена од батеријата може да предизвика иритација или изгореници.
- ▶ **Не употребувајте сет на батерии или алат што е оштетен или изменет.** Оштетени или изменети батерии може да реагираат непредвидливо и да предизвикаат пожар, експлозија или опасност од повреда.
- ▶ **Не го изложувајте сетот на батерии или алатот на оган или висока температура.** Изложувањето на оган или на температура повисока од 130 °C може да предизвика експлозија.
- ▶ **Следете ги сите упатства за полнење и не го полнете сетот на батерии или алатот надвор од температурниот опсег наведен во упатствата.** Неправилното полнење или на температура надвор од наведениот опсег може да ја оштети батеријата и да ја зголеми опасноста од пожар.

Сервисирање

- ▶ **Електричниот алат сервисирајте го кај квалификувано лице кое користи само идентични резервни делови.** Со ова се овозможува безбедно одржување на електричниот алат.
- ▶ **Никогаш не поправајте оштетени сетови на батерии.** Поправката на сетови на батерии треба да ја врши само производителот или овластен сервис.

Безбедносни предупредувања за дупчалки

Безбедносни упатства за сите типови работа

- ▶ **Носете штитници за уши кога извршувате ударно дупчење.** Изложеноста на бучава може да предизвика губење на слухот.
- ▶ **Држете го електричниот алат за изолираната површина додека сечете за да не дојде во контакт со скриена жица.** Ако опремата за сечење или прицврстувачите дојде во допир со „жица под напон“, може да ги изложи металните делови на електричниот алат „под напон“ и операторот може да добие струен удар.

Безбедносни упатства при користење на долги бургии

- ▶ **Никогаш не користете поголема брзина од максималната означена брзина на бургијата.** При поголема брзина, бургијата може да се искриви ако слободно ротира надвор од делот што се обработува, и да се повредите.
- ▶ **Секогаш почнете го дупчењето со мала брзина, и врвот на бургијата да биде во допир со делот што се обработува.** При поголема брзина, бургијата може да се искриви ако слободно ротира надвор од делот што се обработува, и да се повредите.
- ▶ **Притиснете во директна линија со бургијата, и без прекумерен притисок.** Бургијата може да се искриви

и да се скрши, или да изгубите контрола и да се повредите.

Дополнителни безбедносни напомени

- ▶ **Доколку се блокира алатот што се вметнува, веднаш исклучете го електричниот алатот. Бидете претпазливи со високите реакциски моменти, што може да предизвикаат повратен удар.** Алатот што се вметнува се блокира, ако електричниот алат се преоптовари или се навали кон делот што се обработува.
- ▶ **Цврсто држете го електричниот апарат.** При зацврстување и одвртување на шrafoви може да настанат краткотрајни високи реактивни моменти.
- ▶ **Зацврстете го парчето што се обработува.** Доколку го зацврстите со уред за затегнување или менгеме, тогаш парчето што се обработува се држи поцврсто отколку со Вашата рака.
- ▶ **Користете соодветни уреди за пребарување, за да ги пронајдете скриените електрични кабли или консултирајте се со локалното претпријатие за снабдување со електрична енергија.** Контактот со електрични кабли може да доведе до пожар и струен удар. Оштетувањето на гасоводот може да доведе до експлозија. Навлегувањето во водоводни цевки предизвикува оштетување.
- ▶ **Почекајте додека електричниот алат сосема не прекине со работа, пред да го тргнете настрана.** Алатот што се вметнува може да се блокира и да доведе до губење контрола над уредот.
- ▶ **При оштетување и непрописна употреба на батеријата може да излезе пареа. Батеријата може да се запали или да експлодира.** Внесете свеж воздух и доколку има повредени однесете ги на лекар. Пареата може да ги надразни дишните патишта.
- ▶ **Не модифицирајте и отворајте ја батеријата.** Постои опасност од краток спој.
- ▶ **Батеријата може да се оштети од острите предмети како на пр. клинци или одвртувач или со надворешно влијание.** Може да дојде до внатрешен краток спој и батеријата може да се запали, да пушти чад, да експлодира или да се прегрее.
- ▶ **Користете ја батеријата само во производи на производителот.** Само на тој начин батеријата ќе се заштити од опасно преоптоварување.



Заштитете ја батеријата од топлина, на пр. од долготрајно изложување на сончеви зраци, оган, нечистотии, вода и влага. Инаку, постои опасност од експлозија и краток спој.

Опис на производот и перформансите



Прочитајте ги сите безбедносни напомени и упатства. Грешките настанати како резултат од непридржување до безбедносните напомени и упатства може да предизвикаат електричен удар, пожар и/или тешки повреди.

Внимавајте на сликите во предниот дел на упатството за користење.

Употреба со соодветна намена

Електричниот апарат е погоден за зашрафување и одвртување на шrafoви како и за дупчење во дрво, метал, керамика и пластика и за ударно дупчење во цигли, сид и камен.

Илустрација на компоненти

Нумерирањето на илустрираните компоненти се однесува на приказот на електричниот алат на графичката страница.

- (1) Прифат на алатот
- (2) Брзозатегнувачка глава за дупчење
- (3) Прстен за подесување во претходно избран вртежен момент
- (4) Прстен за претходно подесување на видот на режим
- (5) Прекинувач за избор на брзина
- (6) Батерија^{a)}
- (7) Копче за отклучување на батерија^{a)}
- (8) Работно светло (LED)
- (9) Прекинувач за менување на правецот на вртење
- (10) Прекинувач за вклучување/исклучување
- (11) Рачка (изолирана површина на рачката)
- (12) Бит за одвртувач^{a)}
- (13) Универзален држач за битови^{a)}

a) Опишаната опрема прикажана на сликите не е дел од стандардниот обем на испорака.

Технички податоци

Батериска вибрациона дупчалка		GSB 183-LI
Број на дел		3 601 JK9 1..
Номинален напон	V =	18
Број на вртежи во празен од ^{A)B)}		
– 1. брзина	min ⁻¹	0–440
– 2. брзина	min ⁻¹	0–1650
Макс. вртежен момент при завртување во цврсти/меки материјали ^{A)B)}	Nm	56/21
Број на удари ^{A)B)}	min ⁻¹	24000

Батериска вибрациона дупчалка

GSB 183-LI

Макс. дупка-Ø		
– Сид	mm	10
– Челик	mm	10
– Дрво	mm	35
Опсег на затегнување на главата	mm	13
Макс. завртување-Ø	mm	10
Тежина ^{B)}	kg	1,6 (2,0 Ah)– 2,6 (12,0 Ah)
Препорачана околна температура при полнење	°C	0 ... +35
Дозволена околна температура при работење ^{C)} и при складирање	°C	–20 ... +50
Препорачани акумулаторски батерии		GBA 18V... ProCORE18V...
Препорачани полначи		GAL 18... GAX 18... GAL 36...

A) Мерено при 20–25 °C со батерија **GBA 18V 2.0Ah**.

B) во зависност од употребената батерија

C) ограничена моќност на температури < 0 °C

Вредностите може да варираат во зависност од производот и зависат од примената и условите на животната средина. Повеќе информации може да најдете на www.bosch-professional.com/wac.

Информации за бучава/вибрации

Вредностите за емисија на бучава се одредуваат согласно **EN 62841-2-1**.

Нивото на звук на електричниот алат оценето со A типично изнесува: ниво на звучен притисок **86 dB(A)**; ниво на звучна јачина **94 dB(A)**. Несигурност K = **5 dB**.

Носете заштита за слухот!

Вкупните вредности на вибрации a_h (векторски збир на три насоки) и несигурност K дадени се во согласност со **EN 62841-2-1**:

Дупчење во метал: $a_h = 1,0 \text{ m/s}^2$, K = **1,5** m/s^2

Ударно дупчење во бетон: $a_h = 12,8 \text{ m/s}^2$, K = **1,5** m/s^2 ,

Нивото на вибрации наведено во овие упатства и вредноста на емисијата на бучава се измерени според мерни постапки и можат да се користат за споредба меѓу електрични алати. Исто така може да се прилагоди за предвремена процена на нивото на вибрации и емисијата на бучава.

Наведеното ниво на вибрации и вредноста на емисијата на бучава ги претставуваат главните примени на електричниот алат. Доколку електричниот алат се користи за други примени, алатот што се вметнува отстапува од нормите или недоволно се одржува, нивото на вибрации и вредноста на емисијата на бучава можат да отстапуваат. Ова може значително да го зголеми нивото

на вибрации и емисијата на бучава во целокупниот период на работење.

За прецизно одредување на нивото на вибрации и емисијата на бучава, треба да се земе предвид периодот во кој уредот е исклучен или работи, а не во моментот кога е во употреба. Ова може значително да го намали нивото на вибрации и емисијата на бучава во целокупниот период на работење.

Утврдете ги дополнителните мерки за безбедност за заштита на корисникот од влијанието од вибрациите, како на пр.: одржување на електричните алати и алатите за вметнување, одржување на топлината на дланките, организирање на текот на работата.

Монтажа

► **Пред секое работење на електричниот алат (на пр. одржување, промена на алатот итн.) извадете ја батеријата од електричниот алат.** При невнимателно притискање на прекинувачот за вклучување/исклучување постои опасност од повреда.

Полнење на батеријата

► **Користете ги само полначите коишто се наведени во техничките податоци.** Само овие полначи се погодни за литиум-јонската батерија за Вашиот електричен алат.

Напомена: Батеријата се испорачува делумно наполнета. За да ја наполните целосно батеријата, пред првата употреба ставете ја на полнач додека не се наполни целосно.

Литиум-јонските батерии може да се наполнат во секое време, без да се намали нивниот животен век. Прекиноот при полнењето не ѝ наштетува на батеријата.

Литиум-јонската батерија е заштитена од длабоко празнење со „Electronic Cell Protection (ECP)“. Доколку се испразни батеријата, електричниот алат ќе се исклучи со помош на заштитниот прекинувач: Електричниот алат не се движи веќе.

► **По автоматското исклучување на електричниот алат, не притискајте на прекинувачот за вклучување/исклучување.** Батеријата може да се оштети.

Внимавајте на напомените за отстранување.

Вадење на батеријата

Батеријата (6) има два степени на блокирање, што спречуваат, да испадне батеријата при невнимателно притискање на копчето за отклучување на батеријата (7). Се додека е вметната батеријата во електричниот уред, таа се држи во позиција со помош на пружина.

За да ја извадите батеријата (6) притиснете на копчињата за отворање (7) и извлекете ја батеријата од електричниот алат. **Притоа не употребувајте сила.**

Промена на алат (види слика А)

► **Пред секое работење на електричниот алат (на пр. одржување, промена на алатот итн.) извадете ја батеријата од електричниот алат.** При невнимателно притискање на прекинувачот за вклучување/исклучување постои опасност од повреда.

Доколку прекинувачот за вклучување/исклучување (10) не е притиснат, вртеното за дупчење ќе се фиксира. Ова овозможува брзо, лесно и едноставно менување на алатот што се вметнува во главата за дупчење.

Отворете ја брзозатегнувачката глава за дупчење (2) со вртење во правец ①, додека не се стави алатот. Вметнете го алатот.

Чаурата на брзозатезната глава за дупчење (2) свртете ја цврсто со рака во правец ②. Со тоа, главата автоматски се заклучува.

Всисување на прав/стругутини

Правта од материјалите како на пр. слоеви боја, некои видови дрво, минерали и метал може да биде штетна по здравјето. Допирањето или вдишувањето на таквата прав може да предизвика алергиски реакции и/или заболувања на дишните патишта на корисникот или лицата во околината.

Одредени честички прав како на пр. прав од даб или бука важат како канцерогени, особено доколку се во комбинација со дополнителни супстанции (хромат, средства за заштита на дрво). Материјалите што содржат азбест смеат да бидат обработувани само од страна на стручни лица.

- Погрижете се за добра проветреност на работното место.
- Се препорачува носење на маска за заштита при вдишувањето со класа за филтер P2.

Внимавајте на важечките прописи на Вашата земја за материјалот кој го обработувате.

► **Избегнувајте собирање прав на работното место.** Правта лесно може да се запали.

Употреба

Ставање во употреба

Вметнување на батеријата

Напомена: Користењето на батерии кои не се соодветни за Вашиот електричен алат може да доведе до погрешно функционирање или до оштетување на истиот.

Наполнетата батерија (6) притиснете ја однапред навнатре во подножјето на електричниот алат, додека не се заклучи батеријата.

Подесување на правецот на вртење (види слика В)

► **Прекинувачот за менување на правецот на вртење (9) активирајте го само кога електричниот алат е во мирување.**

Со прекинувачот за менување на правецот за вртење (9) може да го промените правецот на вртење на

електричниот алат. Доколку прекинувачот за вклучување/исклучување (10) е притиснат ова не е возможно.

Десен тек: За дупчење и завртување на завртки притиснете го прекинувачот за менување на правец на вртење (9) налево до крај.

Вртење во лево: За олабавување одн. одвртување на завртки и навртки притиснете го прекинувачот за менување на правецот на вртење (9) на десно до крај.

Подесување на режимот на работа



Дупчење

Поставете го Прстен за претходно подесување на видот на режим (4) на ознаката „Дупчење“ за да го постигнете максималниот вртежен момент за дупчење и завртување.



Завртување

Поставете го прстенот за подесување на режимот на работа (4) на ознаката „Завртување“.

Поставете го прстенот во претходно избраниот вртежен момент (3) на саканиот вртежен момент.



Ударно дупчење

Поставете го прстенот за претходно подесување (4) на ознаката „Ударно дупчење“.

Вклучување/исклучување

За **ставање во употреба** на електричниот алат притиснете го прекинувачот за вклучување/исклучување (10) и држете го притиснат.

LED светилката (8) свети доколку прекинувачот за вклучување/исклучување (10) е половично или целосно притиснат и овозможува осветлување на работното поле при неповолни светлосни услови.

За да го **исклучите** електричниот алат, отпуштете го прекинувачот за вклучување/исклучување (10).

LED-работно светло со приказ за статус



LED-работното светло (8) се користи и за приказ за статус за заштита на уред и ниско ниво на батеријата:

LED- Повратна порака	Опис
Трепкачко светло 3x при работа	Ниско ниво на батеријата. Батеријата е под оптималната вредност на напонот. Капацитетот на уредот е ограничен.
Трепкачко светло 3x по мирување	Заштитата на уредот е активна. Заштитата на уредот е активирана за заштита на батеријата од висока

LED- Повратна порака	Опис
	енергетска потрошувачка и за заштита на уредот од оштетување.

- Ако нивото на батеријата е ниско, тогаш наполнете ја батеријата (6) или заменете ја слабата батерија со целосно полна.

Поставување на број на вртежи

Бројот на вртежите на вклучениот електричен алат може да го регулирате бесстепенно, во зависност од тоа колку подалеку ќе го притиснете прекинувачот за вклучување/исклучување (10).

Со нежно притискање на прекинувачот за вклучување/исклучување (10) се постигнува мал број на вртежи. Со зголемување на притисокот се зголемува и бројот на вртежи.

Избирање на вртежниот момент (Важи за начин на работење, навртување)

Со прстенот за подесување на вртежниот момент (3) може да го изберете потребниот вртежен момент во 20 степени. Штом ќе се постигне вртежниот момент, алатот за вметнување запира.

Механички избор на брзини

- **Прекинувач за избор на брзина (5) активирајте го само кога електричниот алат е во празен од.**

Брзина 1:

Низок опсег на вртежи; за работење со голем дијаметар на дупчење или за навртување.

Брзина 2:

Висок опсег на вртежи; за работење со мал дијаметар на дупчење.

- **Прекинувачот за избор на брзини секогаш притискајте го до крај.** Инаку електричниот алат може да се оштети.

Заштита од преоптоварување во зависност од температурата

Правилната употреба не може да го преоптовари електричниот алат. При силно оптоварување или при напуштање на температурниот опсег електричниот алат се исклучува и LED светилката на електричниот алат трепка. Оставете електричниот алат да се олади, пред да продолжите со работа.

Целосна автоматска блокада на вретеното (Auto-Lock)

Доколку прекинувачот за вклучување/исклучување (10) не е притиснат, вретеното за дупчење и прифатот на алатот ќе се фиксира (1).

Ова овозможува навртување на завртки и при испразнета батерија (6) одн. користење на електричниот алат како одвртувач.

Совети при работењето

- **Електричниот алат ставете го на завртката само доколку е исклучен.** Доколку алатите што се

вметнуваат се вклучени и се вртат, тие може да се превртат.

Пред навртување на големи, подолги завртки во цврсти материјали, претходно издупчете 2/3 од должината на завртката според внатрешниот дијаметар на навојот. За да го извадите битот за одвртувачот или универзалниот држач за битови, може да користите помошен алат.

Одржување и сервис

Одржување и чистење

- **Пред секое работење на електричниот алат (на пр. одржување, промена на алатот итн.) извадете ја батеријата од електричниот алат.** При невнимателно притискање на прекинувачот за вклучување/исклучување постои опасност од повреди.
- **Одржувајте ја чистотата на електричниот апарат и отворите за проветрување, за да може добро и безбедно да работите.**

Сервисна служба и совети при користење

Сервисната служба ќе одговори на Вашите прашања во врска со поправката и одржувањето на Вашиот производ како и резервните делови. Експлодирани цртежи и информации за резервни делови може да се најдат и на: www.bosch-pt.com

Тимот за советување при користење на Bosch ќе Ви помогне доколку имате прашања за нашите производи и опрема.

За сите прашања и нарачки на резервни делови, Ве молиме наведете го 10-цифрениот број од спецификационата плочка на производот.

Северна Македонија

Д.Д.Електрис
Сава Ковачевиќ 47Њ, број 3
1000 Скопје
Е-пошта: dimce.dimcev@servis-bosch.mk
Интернет: www.servis-bosch.mk
Тел./факс: 02/ 246 76 10
Моб.: 070 595 888

Д.П.Т.У "РОЈКА"
Јани Лукровски бб; Т.Ц Автокоманда локал 69
1000 Скопје
Е-пошта: servisrojka@yahoo.com
Тел: +389 2 3174-303
Моб: +389 70 388-520, -530

Дополнителни адреси за сервиси може да се најдат на:

www.bosch-pt.com/serviceaddresses

Транспорт

Препорачаните Литиум-јонски батерии подлежат на барањата во Законот за опасни материјали. Батериите може да се транспортираат само од страна на

корисникот, без потреба од дополнителни квалификации.

При испорака преку трети лица (на пр.: При пренос на истите од страна на трети лица воздушен транспорт или шпедиција) неопходно е да се внимава на специјалните напомени за пакување и означување со етикети. Во таков случај, при подготовката на пратката мора да се повика експерт за опасни супстанции.

Транспортирајте ги батериите само доколку кукиштето е неоштетено. Залепете ги отворените контакти и спакувајте ја батеријата на тој начин што нема да се движи во амбалажата. Ве молиме внимавајте на евентуалните дополнителни национални прописи.

Отстранување



Електричните апарати, батериите, опремата и амбалажите треба да се отстранат на еколошки прифатлив начин.



Не ги фрлајте електричните апарати и батериите во домашната канта за ѓубре!

Само за земјите од ЕУ:

Електричните алати кои повеќе не се употребливи и неисправни или користени акумулаторски батерии/батерии мора да се фрлаат посебно. Користете ги предвидените системи за собирање.

Доколку се фрли неправилно, отпадната електрична и електронска опрема може да има штетни ефекти врз животната средина и здравјето на луѓето поради можното присуство на опасни материи.

Батерии:

Литиум-јонски:

Ве молиме внимавајте на напомените во делот Транспорт (види „Транспорт“, Страница 93).

Srpski

Bezbednosne napomene

Opšte sigurnosne napomene za električne alate

UPOZORENJE Pročitajte sva sigurnosna upozorenja, uputstva, ilustracije i specifikacije isporučene uz ovaj električni alat. Propusti u pridržavanju svih dole navedenih uputstava mogu imati za posledicu električni udar, požar i/ili teške povrede.

Čuvajte sva upozorenja i uputstva za buduću upotrebu.

Pojam „električni alat“ upotrebljen u upozorenjima odnosi se na električne alate sa pogonom na struju (sa kablom) i na električne alate sa akumulatorskim pogonom (bez kabla).

Sigurnost radnog područja

- ▶ **Držite vaše radno područje čisto i dobro osvetljeno.**
Nered ili neosvetljena radna područja mogu voditi nesrećama.
- ▶ **Ne radite sa električnim alatom u okolini ugroženoj eksplozijom, u kojoj se nalaze zapaljive tečnosti, gasovi ili prašina.** Električni alati stvaraju varnice koje mogu zapaliti prašinu ili isparenja.
- ▶ **Držite podalje decu i druge osobe za vreme korišćenja električnog alata.** Stvari koje vam odvrću pažnju mogu dovesti do gubitka kontrole.

Električna sigurnost

- ▶ **Priključni utikač električnog alata mora odgovarati utičnici. Utikač ne sme nikako da se menja. Ne upotrebljavajte adaptere utikača zajedno sa električnim alatima zaštićenim uzemljenjem.**
Nemodifikovani utikači i odgovarajuće utičnice smanjuju rizik od električnog udara.
- ▶ **Izbegavajte kontakt telom sa uzemljenim površinama kao što su cevi, radijatori, šporeti i frižideri.** Postoji povećani rizik od električnog udara ako je vaše telo uzemljeno.
- ▶ **Držite električni alat što dalje od kiše ili vlage.** Prodor vode u električni alat povećava rizik od električnog udara.
- ▶ **Kabl ne koristite u druge svrhe. Nikada ne koristite kabl za nošenje električnog alata, ne vucite ga i ne izvlačite ga iz utičnice. Držite kabl dalje od vreline, ulja, oštrih ivica ili pokretnih delova.** Oštećeni ili umršeni kablovi povećavaju rizik od električnog udara.
- ▶ **Ako sa električnim alatom radite na otvorenom, upotrebljavajte samo produžne kablove koji su pogodni za upotrebu na otvorenom.** Upotreba kabla pogodnog za upotrebu na otvorenom smanjuje rizik od električnog udara.
- ▶ **Ako ne možete da izbegnete rad sa električnim alatom u vlažnoj okolini, koristite zaštitni uređaj diferencijalne struje (RCD).** Upotreba zaštitnog uređaja diferencijalne struje smanjuje rizik od električnog udara.

Sigurnost osoblja

- ▶ **Budite pažljivi, pazite na to šta radite i postupajte razumno tokom rada sa vašim električnim alatom. Ne koristite električni alat ako ste umorni ili pod uticajem droge, alkohola ili lekova.** Momenat nepažnje kod upotrebe električnog alata može rezultirati ozbiljnim povredama.
- ▶ **Nosite ličnu zaštitnu opremu. Uvek nosite zaštitne naočare.** Nošenje zaštitne opreme, kao što je maska za prašinu, sigurnosne cipele koje ne klišu, zaštitni šlem ili zaštita za sluh, zavisno od vrste i upotrebe električnog alata, smanjuje rizik od povreda.
- ▶ **Izbegavajte nenamerno puštanje u rad. Uverite se da je električni alat isključen, pre nego što ga priključite na struju i/ili na akumulator, uzmete ga ili nosite.**
Nošenje električnog alata sa prstom na prekidaču ili

priključivanje na struju uključenog električnog alata vodi do nesreće.

- ▶ **Uklonite bilo kakve ključeve za podešavanje ili ključeve za zavrtnjeve, pre nego što uključite električni alat.** Ostavljanje ključa za zavrtnjeve ili ključa prikačenog na rotirajući deo električnog alata može rezultirati ličnom povredom.
- ▶ **Izbegavajte neprirodno držanje tela. Pobrnite se uvek da stabilno stojite i u svako doba održavajte ravnotežu.** Ovo omogućava bolje upravljanje električnim alatom u neočekivanim situacijama.
- ▶ **Nosite pogodnu odeću. Ne nosite široku odeću ili nakit. Držite kosu i odeću dalje od pokretnih delova.** Pokretni delovi mogu zahvatiti široku odeću, nakit ili dugu kosu.
- ▶ **Ako mogu da se montiraju uređaji za usisavanje i skupljanje prašine, uverite se da li su priključeni i upotrebljeni kako treba.** Usisavanje prašine može smanjiti rizike koji su povezani sa prašinom.
- ▶ **Ne dozvolite da pouzdanje koje ste stekli čestom upotrebom alata utiče na to da postanete neoprezni i da zanemarite sigurnosne principe za upotrebu alata.** Neoprezno delovanje može prouzrokovati teške povrede u deliću sekunde.

Upotreba i briga o električnim alatima

- ▶ **Ne preopterećujte aparat. Upotrebljavajte električni alat koji je pogodan za vaš zadatak.** Odgovarajući električni alat radi bolje i sigurnije tempom za koji je projektovan.
- ▶ **Ne koristite električni alat čiji je prekidač u kvaru.** Svaki električni alat koji se ne može kontrolisati prekidačem je opasan i mora se popraviti.
- ▶ **Izvučite utikač iz utičnice i/ili izvadite akumulatorsku bateriju iz električnog alata, ukoliko je to moguće, pre nego što izvršite bilo kakva podešavanja, promenu pribora ili pre nego što uskladištite električni alat.** Takve preventivne sigurnosne mere smanjuju rizik od slučajnog pokretanja električnog alata.
- ▶ **Čuvajte nekorišćene električne alate izvan dometa dece i ne dozvoljavajte korišćenje alata osobama koje ne poznaju isti ili nisu pročitale ova uputstva.** U rukama neobučanih korisnika električni alati postaju opasni.
- ▶ **Održavajte električni alat i pribor. Proverite da li pokretni delovi aparata besprekorno funkcionišu i da li su dobro povezani, da li su delovi možda polomljeni ili su tako oštećeni da je ugroženo funkcionisanje električnog alata. Pre upotrebe popravite alat ukoliko je oštećen.** Mnoge nesreće su prouzrokovane lošim održavanjem električnih alata.
- ▶ **Održavajte alate za sečenje oštre i čiste.** Sa adekvatno održanim alatom za sečenje sa oštrim sečivima manja je verovatnoća da će doći do zapinjanja i upravljanje je jednostavnije.
- ▶ **Upotrebljavajte električni alat, pribor, alate koji se umeću itd. prema ovim uputstvima. Obratite pažnju**

pritom na uslove rada i posao koji morate obaviti.

Upotreba električnog alata za namene drugačije od predviđenih može voditi opasnim situacijama.

- ▶ **Održavajte drške i prihvatne površine suvim, čistim i bez ostataka ulja ili masnoće.** Klizave drške ili prihvatne površine ne omogućavaju bezbedno rukovanje i upravljanje alatom u neočekivanim situacijama.

Upotreba i briga o alatu na akumulatorski pogon

- ▶ **Punite samo u aparatima za punjenje, koje je preporučio proizvođač.** Punjač koji je pogodan za jednu vrstu akumulatorske baterije može stvoriti rizik od požara ako se koristi za drugačiju akumulatorsku bateriju.
- ▶ **Upotrebljavajte električni alat samo zajedno sa akumulatorskim baterijama namenjenim za njih.** Upotreba bilo kojih drugih akumulatorskih baterija može stvoriti rizik od povrede ili požara.
- ▶ **Držite nekorišćenu akumulatorsku bateriju dalje od drugih metalnih objekata, poput kancelarijskih spajalica, novčića, ključeva, eksera, zavrtnja ili drugih malih metalnih predmeta, koji mogu prouzrokovati povezivanje jednog terminala sa drugim.** Kratak spoj između baterijskih terminala može prouzrokovati opekotine ili požar.
- ▶ **Kod pogrešne primene iz akumulatorske baterije može biti izbačena tečnost. Izbegavajte kontakt sa njom. Kod slučajnog kontakta isperite sa vodom. Ako tečnost dospe u oči, potražite i dodatnu lekarsku pomoć.** Tečnost iz akumulatora može prouzrokovati iritaciju ili opekotine.
- ▶ **Ne koristite akumulatorsku bateriju ili alat koji je oštećen ili modifikovan.** Oštećene ili modifikovane akumulatorske baterije mogu se ponašati nepredvidivo, što može rezultirati požarom, eksplozijom ili povredom.
- ▶ **Ne izlažite akumulatorsku bateriju ili alat vatri ili visokim temperaturama.** Izlaganje vatri ili temperaturama iznad 130 °C može prouzrokovati eksploziju.
- ▶ **Pridržavajte se svih uputstava u vezi sa punjenjem i ne punite akumulatorsku bateriju ili alat izvan temperaturnog opsega naznačenog u uputstvima.** Nepropisno punjenje ili punjenje na temperaturama izvan naznačenog opsega može oštetiti akumulatorsku bateriju i povećati rizik od požara.

Servisiranje

- ▶ **Neka vam vaš električni alat popravlja samo kvalifikovano osoblje, koristeći samo originalne rezervne delove.** Ovo će osigurati očuvanje bezbednosti električnog alata.
- ▶ **Nikada ne servisirajte oštećene akumulatorske baterije.** Servisiranje akumulatorskih baterija treba da vrše isključivo proizvođači ili ovlašćeni serviseri.

Bezbednosna upozorenja za bušilice**Bezbednosna uputstva za sve operacije**

- ▶ **Nosite štitnike za uši prilikom bušenja.** Izloženost buci može dovesti do gubitka sluha.
- ▶ **Električni alat držite za izolovane prihvatne površine prilikom izvođenja radova gde rezni pribor ili pričvršćivač može doći u kontakt sa skrivenim žicama.** Rezni pribor ili pričvršćivači koji dolaze u kontakt sa provodnom žicom, mogu dovesti do toga da izloženi metalni delovi električnog alata postanu provodnici, što rukovaoca može izložiti električnom udaru.

Bezbednosna uputstva za korišćenje dugih burgija

- ▶ **Nikada ne koristite veću brzinu od maksimalne brzine koja je navedena za burgiju.** Pri većim brzinama, burgija može da se savije ako može slobodno da se kreće bez kontakta sa predmetom obrade, što može da rezultira povredom.
- ▶ **Bušenje uvek započinite malom brzinom i tako da vrh burgije bude u kontaktu sa predmetom obrade.** Pri većim brzinama, burgija može da se savije ako može slobodno da se kreće bez kontakta sa predmetom obrade, što može da rezultira povredom.
- ▶ **Primenite pritisak samo u direktnoj liniji sa burgijom i ne primenjujte prekomerni pritisak.** Burgije mogu da se saviju i uzrokuju lomljenje ili gubitak kontrole, što može da rezultira povredom.

Dodatne sigurnosne napomene

- ▶ **Električni alat odmah isključite, ukoliko umetnuti alat zablokira. Budite spremni na jake reakcione momente, koji dovode do povratnog udara.** Umetnuti alat blokira kada je električni alat preopterećen ili se zaglavi u objektu za obradu.
- ▶ **Čvrsto držite električni alat.** Prilikom pritezanja ili odvrtanja šrafova, na kratko mogu da se jave jaki reakcioni momenti.
- ▶ **Obezbedite radni komad.** Radni komad koji čvrsto drže zatezni uređaji ili stega sigurniji je nego kada se drži rukom.
- ▶ **Koristite odgovarajuće aparate za detekciju, da biste pronašli skrivene vodove snabdevanja, ili pozovite lokalnog distributera električne energije.** Kontakt sa električnim vodovima može da dovede do požara i strujnog udara. Oštećenja gasovoda mogu da dovedu do eksplozije. Prodiranje u cevovod sa vodom može da uzrokuje materijalnu štetu.
- ▶ **Sačekajte da se električni alat umiri, pre nego što ga odložite.** Upotrebljeni alat se može zakačiti i gubitkom kontrole voditi preko električnog alata.
- ▶ **Kod oštećenja i nestručne upotrebe akumulatora može doći do isparavanja. Akumulator može da izgori ili da eksplodira.** Uzmite svež vazduh i potražite lekara ako dođe do tegoba. Para može nadražiti disajne puteve.
- ▶ **Nemojte menjati i otvarati akumulator.** Postoji opasnost od kratkog spoja.

- ▶ **Baterija može da se ošteti oštrim predmetima, kao npr. ekserima ili odvijačima zavrtneva ili usled dejstva neke spoljne sile.** Može da dođe do internog kratkog spoja i akumulatorska baterija može da izgori, dimi, eksplodira ili da se pregreje.
- ▶ **Akumulator koristite samo u proizvodima proizvođača.** Samo tako se akumulator štiti od opasno preopterećenja.



Zaštite akumulator od izvora toplote, npr. i od trajnog sunčevog zračenja, vatre, prijavštine, vode i vlage. Postoji opasnost od eksplozije i kratkog spoja.



Opis proizvoda i primene



Pročitajte sve bezbednosne napomene i uputstva. Propusti u poštovanju bezbednosnih napomena i uputstava mogu da prouzrokuju električni udar, požar i/ili teške povrede.

Vodite računa o slikama u prednjem delu uputstva za rad.

Predviđena upotreba

Električni alat je predviđen za vrtanje i odvrtnje zavrtanja kao i za bušenje u drvetu, metalu, keramici i plastici, kao i za udarno bušenje u cigli, zidu i kamenu.

Prikazane komponente

Označavanje brojevima prikazanih komponenata odnosi se na prikaz električnog alata na grafičkoj stranici.

- (1) Prihvat za alat
- (2) Brzostezna glava
- (3) Prsten za podešavanje izbora obrtnog momenta
- (4) Prsten za podešavanje izbora režima rada
- (5) Prekidač za izbor brzine
- (6) Akumulator^{a)}
- (7) Taster za otključavanje akumulatora^{a)}
- (8) Radno svetlo (LED)
- (9) Preklopni prekidač za smer obrtanja
- (10) Prekidač za uključivanje/isključivanje
- (11) Ručka (izolirana površina za držanje)
- (12) Bit odvrtčača^{a)}
- (13) Univerzalni držač bitova^{a)}

a) **Ovaj pribor ne spada u standardni obim isporuke.**

Tehnički podaci

Akumulatorska udarna bušilica	GSB 183-LI	
Broj artikla		3 601 JK9 1..
Nominalni napon	V=	18
Broj obrtaja u praznom hodu ^{A)B)}		
- 1. brzina	min ⁻¹	0-440

Akumulatorska udarna bušilica	GSB 183-LI	
- 2. brzina	min ⁻¹	0-1650
Maks. obrtni momenat tvrdi/mekši slučaj zavrtanja ^{A)B)}	Nm	56/21
Broj udara ^{A)B)}	min ⁻¹	24000
Maks. Ø bušenja		
- Zid	mm	10
- Čelik	mm	10
- Drvo	mm	35
Područje zatezanja stezne glave	mm	13
Maks. Ø zavrtanja	mm	10
Težina ^{B)}	kg	1,6 (2,0 Ah) – 2,6 (12 Ah)
Preporučena temperatura okruženja prilikom punjenja	°C	0 ... +35
Dozvoljena temperatura okruženja u radu ^{C)} i prilikom skladištenja	°C	-20 ... +50
Preporučeni akumulatori		GBA 18V... ProCORE18V...
Preporučeni punjači		GAL 18... GAX 18... GAL 36...

A) Mereno na 20-25 °C sa akumulatorom **GBA 18V 2.0Ah**.

B) zavisno od upotrebljenog akumulatora

C) ograničeni učinak na temperaturama < 0 °C

Vrednosti mogu da se razlikuju u zavisnosti od proizvoda i zavise od uslova upotrebe i uslova iz okoline. Dodatne informacije možete pogledati na adresi www.bosch-professional.com/wac.

Informacije o buci/vibracijama

Vrednosti emisije buke utvrđene u skladu sa **EN 62841-2-1**. Pod A klasifikovan nivo zvučnog pritiska električnog alata tipično iznosi: nivo zvučnog pritiska **86 dB(A)**; nivo zvučne snage **94 dB(A)**. Nesigurnost K = **5 dB**.

Nosite zaštitu za sluh!

Ukupne vrednosti vibracije a_h (vektorski zbir tri pravca) i nesigurnost K utvrđeni prema **EN 62841-2-1**:

Bušenje u metalu: $a_h = 1,0 \text{ m/s}^2$, K = **1,5 m/s²**

Udarno bušenje u betonu: $a_h = 12,8 \text{ m/s}^2$, K = **1,5 m/s²**,

Nivo vibracija i vrednosti emisije buke, koji su navedeni su ovim uputstvima, su izmereni prema standardizovanom mernom postupku i mogu se koristiti za međusobno poređenje električnih alata. Pogodni su i za privremenu procenu emisije vibracije i buke.

Navedeni nivo vibracija i vrednost emisije buke predstavljaju realnu upotrebu električnog alata. Međutim, ako se električni alat upotrebljava za druge namene, sa drugim umetnim alatima ili ako se nedovoljno održava, može doći do odstupanja nivoa vibracija i vrednosti emisije buke. Ovo može u značajnoj meri povećati emisiju vibracija i buke tokom celokupnog perioda korišćenja.

Za tačnu procenu emisije vibracija i buke trebalo bi uzeti u obzir i vreme u kojem je uređaj isključen ili u situaciji da radi, ali nije zaista u upotrebi. Ovo može značajno redukovati emisije vibracija i buke tokom celokupnog perioda korišćenja.

Utvrdite dodatne sigurnosne mere radi zaštite korisnika od delovanja vibracija kao na primer: održavanje električnog alata i umetnog alata, održavanje toplih ruku, organizacija radnih postupaka.

Montaža

- ▶ **Pre svih radova na električnom alatu (npr. prilikom održavanja, promene alata itd.) izvadite akumulator.** Kod slučajnog aktiviranja prekidača za uključivanje/isključivanje postoji opasnost od povrede.

Punjenje akumulatora

- ▶ **Koristite samo punjače koji su navedeni u tehničkim podacima.** Samo ovi punjači su usklađeni sa litijum-jonskom akumulatorom koji koristi vaš električni alat.

Napomena: Akumulator se isporučuje delimično napunjen. Da bi osigurali punu snagu akumulatora, napunite ga pre prve upotrebe u punjaču.

Litijum-jonski akumulator može da se puni u svako doba, a da mu se ne skraćuje vek trajanja. Prekidanje postupka punjenja ne šteti akumulatoru.

Litijum-jonski akumulator je zaštićena od prevelikog pražnjenja zahvaljujući funkciji „Electronic Cell Protection (ECP)“. Ako se akumulator isprazni, električni alat se isključuje zahvaljujući zaštitnom prekidaču. Umetnuti alat se više ne pokreće.

- ▶ **Nakon automatskog isključivanja električnog alata više ne pritisnite prekidač za uključivanje/isključivanje.** Akumulator se može oštetiti.

Obratite pažnju na uputstva za uklanjanje dubreta.

Vađenje akumulatora

Akumulator (6) raspolaže sa dva stepena blokade, koji sprečavaju da akumulator kod nenamernog pritiskanja tastera za deblokadu akumulatora (7) ispadne napolje. Dokle god se akumulator nalazi u električnom alatu, opruga ga drži na mestu.

Za vađenje akumulatora (6) pritisnite taster za deblokadu (7) i izvucite akumulator povlačenjem bočno iz električnog alata. **Ne upotrebljavajte pritom silu.**

Promena alata (videti sliku A)

- ▶ **Pre svih radova na električnom alatu (npr. prilikom održavanja, promene alata itd.) izvadite akumulator.** Kod slučajnog aktiviranja prekidača za uključivanje/isključivanje postoji opasnost od povrede.

Ukoliko nije pritisnut prekidač za uključivanje/isključivanje (10), vreteno bušilice se blokira. Ovo omogućava brzu, udobnu i jednostavnu promenu umetnog alata u steznoj glavi.

Otvorite brzosteznu glavu (2) okretanjem u smeru okretanja ①, dok se alat ne umetne. Ubacite alat.

Snažno rukom okrećite čauru brzostezne glave (2) u smeru okretanja ②. Stezna glava se na taj način automatski zaključava.

Usisavanje prašine/piljevine

Prašine od materijala kao što je premaz koji sadrži olovo, neke vrste drveta, minerali i metal mogu biti štetni po zdravlje. Dodir ili udisanje prašine mogu izazvati alergijske reakcije i/ili oboljenja disajnih puteva radnika ili osoba koje se nalaze u blizini.

Neke prašine kao od hrasta i bukke važe kao izazivači raka, posebno u vezi sa dodatnim materijama za obradu drveta (hromati, zaštitna sredstva za drvo). Materijal koji sadrži azbest smeju koristiti samo stručnjaci.

- Dobro provetrite radno mesto.
- Preporučuje se, da se nosi zaštitna maska za disanje sa klasom filtera P2.

Obratite pažnju na propise u Vašoj zemlji za materijale koje treba obrađivati.

- ▶ **Izbegavajte sakupljanje prašine na radnom mestu.** Prašine se mogu lako zapaliti.

Rad

Puštanje u rad

Postavljanje akumulatora

Napomena: Upotreba akumulatora koji nisu namenjeni za električni alat može da dovede do pogrešnih funkcija ili do oštećenja električnog alata.

Gurajte napunjeni akumulator (6) spređa unutra u podnožje električnog alata, dok akumulator sigurno ne bude blokiran.

Podešavanje smera okretanja (pogledaj sliku B)

- ▶ **Pritisnite preklonni prekidač za smer obrtanja (9) samo kada je električni alat u stanju mirovanja.**

Pomoću preklonnog prekidača smera okretanja (9) možete menjati smer okretanja električnog alata. Kod pritisnutog prekidača za uključivanje/isključivanje (10) ovo nije moguće.

Desni smer: Za bušenje i uvrtanje zavrtnjeva pritisnite preklonni prekidač za smer okretanja (9) nalevo do graničnika.

Levi smer: Za oslobađanje odnosno odvrtanje zavrtnja i navrtki pritisnite preklonni prekidač za smer okretanja (9) udesno do graničnika.

Podešavanje režima rada



Bušenje

Postavite prsten za podešavanje izbora režima rada (4) na simbol „Bušenje“, da biste postigli maksimalni obrtni moment za bušenje i zavrtnje.

**Zavrtnje**

Podesite prsten za podešavanje izbora režima rada **(4)** na simbol „Zavrtnje“.

Podesite prsten za podešavanje izbora obrtnog momenta **(3)** na željeni obrtni moment.

**Udarno bušenje**

Postavite prsten za podešavanje izbora režima rada **(4)** na simbol „Udarno bušenje“.

Uključivanje/isključivanje

Za **puštanje u rad** električnog alata pritisnite i zadržite prekidač za uključivanje/isključivanje **(10)**.

LED **(8)** svetli kada malo ili sasvim pritisnete prekidač za uključivanje/isključivanje **(10)** i omogućuje osvetljavanje radnog prostora kada su uslovi osvetljenja nepovoljni.

Da biste električni alat **isključili**, pustite prekidač za uključivanje/isključivanje **(10)**.

LED radno svetlo sa prikazom statusa

LED radno svetlo **(8)** se koristi kao prikaz statusa za zaštitu uređaja i niskog nivoa akumulatora:

LED povratna poruka	Opis
Trepćuće svetlo 3x kod režima rada	Nisko stanje akumulatora. Akumulator se spustio ispod optimalne vrednosti napona. Snaga uređaja se ograničava.
Trepćuće svetlo 3x posle mirovanja	Aktivna zaštita uređaja. Zaštita uređaja je aktivirana, da bi se akumulator zaštitio od velike potrošnje struje i uređaj od oštećenja.

– Ako je nivo akumulatora nizak, napunite akumulator **(6)** ili zamenite ispražnjen akumulator potpuno napunjenim akumulatorom.

Podešavanje broja obrtaja

Broj obrtaja uključenog električnog alata možete regulisati kontinuirano, zavisno od toga koliko ste pritisnuli prekidač za uključivanje/isključivanje **(10)**.

Lagani pritisak na prekidač za uključivanje/isključivanje **(10)** rezultira niskim brojem obrtaja. Ako se pojača pritisak, povećava se broj obrtaja.

Biranje obrtnog momenta (važi za režim rada zavrtnja)

Pomoću prstena za podešavanje za predizbor obrtnog momenta **(3)** možete preliminarno da izaberete obrtni momenat u 20 stepeni. Čim se dostigne podešeni obrtni moment, zaustavlja se alat za umetanje.

Mehanički izbor brzine

► **Prekidač za biranje brzina (5) aktivirajte samo kada električni alat miruje.**

1. brzina:

Niže područje broja obrtaja; za rad sa većim prečnikom bušenja ili za zavrtnje.

2. brzina:

Visok broj obrtaja; za radove sa malim prečnikom bušenja.

► **Pomerite prekidač za biranje brzine uvek do graničnika.** Električni alat se može inače oštetiti.

Zaštita od preopterećenja zavisna od temperature

Prilikom upotrebe u skladu sa odredbama električni alat ne može da se preopteretiti. U slučaju preopterećenja ili napuštanja dozvoljenog opsega temperature akumulatora, električni alat se isključuje i LED lampica na električnom alatu treperi. Sačekajte da se ohladi električni alat pre nego što nastavite sa radom.

Potpuno automatska blokada vretena (Auto-Lock)

Kada prekidač za uključivanje/isključivanje nije pritisnut **(10)** blokira se vreteno bušilice i samim tim i prihvat alata **(1)**.

Ovo omogućava uvrtnje zavrtnja i pri praznom akumulatoru **(6)** odnosno korišćenje električnog alata kao odvrtča za zavrtnje.

Napomene za rad

► **Isključivo isključen električni alat postavljajte na zavrtnj.** Namenski alati koji se okreću mogu da proklizaju.

Pre uvrtnja većih, dužih zavrtnja u tvrde radne komade trebalo bi najpre probušiti presekom jezgra navoja na oko 2/3 dužine zavrtnja.

Kako biste uklonili bit nastavak ili univerzalni držač bit nastavka, smete da upotrebite pomoćni alat.

Održavanje i servis**Održavanje i čišćenje**

► **Pre svih radova na električnom alatu (npr. prilikom održavanja, promene alata itd.) izvadite akumulator.**

Kod slučajnog aktiviranja prekidača za uključivanje/isključivanje postoji opasnost od povrede.

► **Održavajte električni alat i proreze za ventilaciju čistima da biste radili dobro i bezbedno.**

Servis i saveti za upotrebu

Servisna služba odgovoriće na vaša pitanja o popravcima i održavanju vašeg proizvoda i o rezervnim delovima. Povećani crteži i informacije o rezervnim delovima se takođe mogu naći na: www.bosch-pt.com

Bosch tim za konsultacije o primeni će vam rado pomoći u vezi sa svim pitanjima o našim proizvodima i njihovom priboru.

Molimo da kod svih pitanja i poručivanja rezervnih delova neizostavno navedete broj artikla sa 10 brojčanih mesta prema tipskoj pločici proizvoda.

Srpski

Bosch Elektroservis
Dimitrija Tucovića 59

11000 Beograd
 Tel.: +381 11 644 8546
 Tel.: +381 11 744 3122
 Tel.: +381 11 641 6291
 Fax: +381 11 641 6293
 E-Mail: office@servis-bosch.rs
 www.bosch-pt.rs

Dodatne adrese servisa možete pronaći na:

www.bosch-pt.com/serviceaddresses

Transport

Sadržani litijum-jonski akumulatori podležu zahtevima zakona o opasnim materijalima. Korisnik može da transportuje akumulatorne kopnenim putem bez dodatnih uslova.

Kod slanja preko posrednika (npr.: vazdušnim transportom ili otpremom) treba poštovati posebne zahteve u pogledu pakovanja i označavanja. Pri tome je kod pripreme pošiljke potrebno angažovati stručnjaka za opasne materijale.

Šaljite akumulatorne samo ako je kućište neoštećeno. Otvorene kontakte odlepiti i tako upakujte akumulator da se u pakovanju ne pokreće. Molimo da obratite pažnju i na eventualne dodatne nacionalne propise.

Uklanjanje đubreta



Električne alate, akumulacione baterije, pribor i pakovanja treba predati na reciklažu koja je u skladu sa zaštitom životne sredine.



Ne bacajte električne alate i akumulatorne/baterije u kućno đubre!

Samo za EU-zemlje:

Električni uređaji koji se više ne mogu koristiti i neispravni ili istrošeni akumulatori/baterije se moraju da se odlazu u otpad odvojeno. Koristite predviđene sisteme za sakupljanje.

Ako se nepravilno zbrine, otpadna električna i elektronska oprema može imati štetne posledice po životnu sredinu i zdravlje ljudi zbog mogućeg prisustva opasnih materija.

Akumulatorske baterije/baterije:

Li-jonska:

Molimo da obratite pažnju na napomene u odeljku Transport (videti „Transport“, Strana 99).

Slovenščina

Varnostna opozorila

Splošna varnostna navodila za električna orodja

⚠ OPOZORILO Preberite vsa varnostna opozorila, navodila, ilustracije in

specifikacije, ki so priložene temu električnemu orodju.

Če spodaj navedenih napotkov ne upoštevate, lahko pride do električnega udara, požara in/ali težke poškodbe.

Vsa opozorila in napotke shranite, ker jih boste v prihodnje še potrebovali.

Pojem električno orodje, ki se pojavlja v nadaljnjem besedilu, se nanaša na električna orodja z električnim pogonom (z električnim kablom) in na akumulatorska električna orodja (brez električnega kabla).

Varnost na delovnem mestu

▶ Delovno mesto naj bo vedno čisto in dobro osvetljeno.

Nered in neosvetljena delovna mesta povečajo možnost nezgod.

▶ Električnega orodja ne uporabljajte v okolju, v katerem lahko pride do eksplozij (prisotnost vnetljivih tekočin, plinov ali prahu). Električna orodja povzročajo iskre, zaradi katerega se lahko prah ali hlapi vnemajo.

▶ Ko uporabljate električno orodje, poskrbite, da v bližini ni otrok ali drugih oseb. Odvračanje pozornosti lahko povzroči izgubo nadzora nad orodjem.

Električna varnost

▶ Priključni vtič električnega orodja se mora prilegati vtičnici. Spreminjanje vtiča na kakršen koli način ni dovoljeno. Pri ozemljenih električnih orodjih ne uporabljajte adapterskih vtičev. Nespremenjeni vtiči in ustrezne vtičnice zmanjšujejo tveganje električnega udara.

▶ Izogibajte se telesnemu stiku z ozemljenimi površinami, kot so na primer cevi, grelci, hladilniki in pašniki. Tveganje električnega udara je večje, če je vaše telo ozemljeno.

▶ Prosimo, da napravo zavarujete pred dežjem ali vlago. Vdor vode v električno orodje povečuje tveganje za električni udar.

▶ Kabel uporabljajte pravilno. Kabel zavarujte pred vročino, oljem, ostrimi robovi ali premikajočimi se deli. Poškodovani ali zapleteni kabli povečujejo tveganje električnega udara.

▶ Kadar uporabljate električno orodje zunaj, uporabljajte samo kableske podaljške, ki so primerni za delo na prostem. Uporaba kableskega podaljška, ki je primeren za delo na prostem, zmanjšuje tveganje za električni udar.

▶ Če je uporaba električnega orodja v vlažnem okolju neizogibna, uporabljajte stikalo za zaščito pred kvarnim tokom. Uporaba zaščitnega stikala zmanjšuje tveganje električnega udara.

Osebna varnost

- ▶ **Bodite pozorni, pazite kaj delate ter se dela z električnim orodjem lotite z razumom. Ne uporabljajte električnega orodja, če ste utrujeni oziroma če ste pod vplivom mamil, alkohola ali zdravil.** Trenutek nepazljivosti pri uporabi električnega orodja je lahko vzrok za resne telesne poškodbe.
- ▶ **Uporabljajte osebno zaščitno opremo. Vedno uporabljajte zaščito za oči.** Z uporabo zaščitne opreme, kot so protiprašna maska, varnostni čevlji, ki ne drsijo, čelada ali zaščita za sluh, v ustreznih količinah zmanjšate nevarnost poškodb.
- ▶ **Preprečite nenameren vklop orodja. Pred priključitvijo električnega orodja na električno omrežje in/ali na akumulatorsko baterijo in pred dviganjem ali nošenjem se prepričajte, da je električno orodje izklopljeno.** Če električno orodje nosite in imate pri tem prst na stikalo ali pa orodje napajate, ko je stikalo v položaju za vklop, lahko pride do nesreče.
- ▶ **Odstranite vse ključe in izvijače za prilagajanje orodja, preden orodje vključite.** Ključ ali izvijač, ki ga ne odstranite z vrtečega se dela električnega orodja, lahko povzroči telesne poškodbe.
- ▶ **Ne precenjujte svojih sposobnosti. Ves čas trdno stojite in vzdržujte ravnovesje.** To omogoča boljši nadzor nad električnim orodjem v nepričakovanih situacijah.
- ▶ **Bodite primerno oblečeni. Ne nosite ohlapnih oblačil ali nakita. Las in oblačil ne približujte premikajočim se delom.** Ohlapna oblačila, nakit ali dolgi lasje se lahko ujamejo v premikajoče se dele.
- ▶ **Če imate na voljo naprave za priklop sesalnika za prah ali zbiralnih posod, se prepričajte, da so te ustrezno priključene.** Uporaba sistema za zbiranje prahu lahko zmanjša nevarnosti, povezane s prahom.
- ▶ **Naj seznanjenost z orodjem, ki jo pridobite s pogosto uporabo, ne bo razlog za to, da postanete lankomiselni in ignorirate varnostna načela.** V delčku sekunde lahko nepozorno dejanje pripelje do hude poškodbe.

Uporaba in vzdrževanje električnega orodja

- ▶ **Električnega orodja ne preobremenjujte. Za delo uporabite ustrezno električno orodje.** Pravo električno orodje bo delo opravilo bolje in varneje, in sicer s hitrostjo, za katero je bilo oblikovano.
- ▶ **Električnega orodja ne uporabljajte, če ga s stikalom ne morete vklopiti in izklopiti.** Vsako električno orodje, ki ga ni mogoče nadzirati s stikalom, je nevarno in ga je treba popraviti.
- ▶ **Izvlomite vtič in vtičnice in/ali odstranite akumulatorsko baterijo, če je le mogoče, in odstranite ter shranite pribor, še preden se lotite popravila orodja.** Ti preventivni varnostni ukrepi zmanjšajo tveganje za nenamerni zagon aparata.
- ▶ **Ko električnih orodij ne uporabljate, jih shranite izven dosega otrok. Osebam, ki orodja ne poznajo ali niso**

prebrale teh navodil za uporabo, orodja ne dovolite uporabljati. Električna orodja so nevarna, če jih uporabljajo neizkušene osebe.

- ▶ **Vzdržujte električna orodja in pribor. Prepričajte se, da so premikajoči se deli pravilno poravnani in da se ne zatikajo ter da deli niso polomljeni. Prav tako preverite, ali je na orodju še kaj drugega, kar bi lahko vplivalo na njegovo delovanje. Če je električno orodje poškodovano, mora biti pred uporabo popravljeno.** Slabo vzdrževana električna orodja so vzrok za mnoge nezgode.
- ▶ **Rezalna orodja naj bodo vedno ostra in čista.** Skrbno negovana rezalna orodja z ostrimi robovi se manj zatikajo in so lažje vodljiva.
- ▶ **Električna orodja, pribor, vsadna orodja in podobno uporabljajte v skladu s temi navodili. Pri tem upoštevajte delovne pogoje in dejavnost, ki jo boste opravljali.** Uporaba električnih orodij v namene, ki so drugačni od predpisanih, lahko privede do nevarnih situacij.
- ▶ **Ročaji in površine za prijemanje naj bodo suhe, čiste in brez olja ali maščobe.** Gladki ročaji in površine za prijemanje ne omogočajo varne uporabe in nadzora orodja v nepričakovanih situacijah.

Uporaba in vzdrževanje akumulatorskih orodij

- ▶ **Akumulatorske baterije polnite samo s polnilniki, ki jih priporoča proizvajalec.** Polnilnik, ki je namenjen določeni vrsti akumulatorskih baterij, se lahko vname, če ga boste uporabljali za polnjenje drugačnih akumulatorskih baterij.
- ▶ **V električnih orodjih uporabljajte le akumulatorske baterije, ki so zanje predvidene.** Uporaba drugih akumulatorskih baterij lahko povzroči telesne poškodbe ali požar.
- ▶ **Akumulatorska baterija, ki je ne uporabljate, ne sme priti v stik s kovinskimi predmeti, kot so pisarniške sponke, kovanci, ključi, žebliji, vijaki in drugi manjši kovinski predmeti, ki bi lahko povzročili premostitve kontaktov.** Kratek stik med akumulatorskimi kontakti ima lahko za posledico opekline ali požar.
- ▶ **V primeru napačne uporabe lahko iz akumulatorske baterije izteče tekočina. Izogibajte se stiku z njo. Če tekočina vseeno po naključju pride v stik s kožo, jo sperite z vodo. Če pride tekočina v oči, poiščite zdravniško pomoč.** Iztekajoča akumulatorska tekočina lahko povzroči draženje ali opekline.
- ▶ **Ne uporabljajte poškodovanih ali prilagojenih akumulatorskih baterij oz. orodij.** Poškodovane ali prilagojene akumulatorske baterije se lahko nepredvidljivo obnašajo, kar lahko povzroči požar, eksplozijo ali tveganje za poškodbe.
- ▶ **Akumulatorske baterije ali orodja ne izpostavljajte ognju ali previsoki temperaturi.** Izpostavljenost ognju ali vročini nad 130 °C lahko povzroči eksplozijo.
- ▶ **Upoštevajte navodila za polnjenje in ne polnite akumulatorske baterije ali orodja pri temperaturi, ki je**

izven območja, navedenega v navodilih. Če orodje polnite na nepravilen način ali pri temperaturah, ki so izven določenega območja, lahko pride do poškodb akumulatorske baterije, kar poveča tveganje za požar.

Servisiranje

- ▶ **Vaše električno orodje naj popravlja samo usposobljeno strokovno osebo, ki naj pri tem uporabi zgolj originalne rezervne dele.** S tem boste zagotovili, da bo orodje varno za uporabo.
- ▶ **Nikdar ne popravljajte poškodovanih akumulatorskih baterij.** Akumulatorske baterije naj popravja le proizvajalec ali pooblaščen servisier.

Varnostna opozorila za vrtnje

Varnostna navodila za vsa opravila

- ▶ **Med udarnim vrtnjem nosite zaščito za sluh.** Izpostavljenost hrupu lahko povzroči izgubo sluha.
- ▶ **Ko izvajate postopek, pri katerem lahko pride do stika rezalnega nastavka ali sponk s skrito žico, električno orodje držite za izolirane ročaje.** Ob stiku rezalnega nastavka ali sponk z žico pod napetostjo se lahko električna napetost prenese na kovinske dele električnega orodja, uporabnik pa lahko ob tem doživi električni udar.

Varnostna navodila za delo z dolgimi svedri

- ▶ **Orodja ne uporabljajte pri hitrosti, višji od najvišje hitrosti svedra.** Pri višji hitrosti se lahko sveder upogne, če se vrti prosto, ne da bi se pri tem dotikal obdelovanca, in tako povzroči telesne poškodbe.
- ▶ **Z vrtnjem začnite pri nižji hitrosti, konica svedra pa naj se dotika obdelovanca.** Pri višji hitrosti se lahko sveder upogne, če se vrti prosto, ne da bi se dotikal obdelovanca, in tako povzroči telesne poškodbe.
- ▶ **Pritišnite le neposredno v smeri svedra in svedra ne preobremenjujte.** Svedri se lahko upognejo in tako povzročijo lomljenje ali izgubo nadzora ter posledično telesne poškodbe.

Dodatna varnostna navodila

- ▶ **Če nastavek zablokira, nemudoma izklopite električno orodje. Bodite pripravljeni na visoke reakcijske momente, ki povzročijo povratni udarec.** Nastavek blokira, ko je električno orodje preobremenjeno ali ko se električno orodje zagozdi v obdelovancu.
- ▶ **Trdno držite električno orodje.** Pri zategovanju in odvijanju vijakov lahko pride do kratkotrajnih visokih reakcijskih momentov.
- ▶ **Zavarujte obdelovanec.** Obdelovanec bo proti premikanju bolje zavarovan z vpenjalnimi pripravami ali s primežem, kot če bi ga držali z roko.
- ▶ **Za iskanje skritih oskrbovalnih vodov uporabljajte ustrezne iskalne naprave ali se o tem pozanimajte pri lokalnem podjetju za oskrbo z vodo, elektriko ali plinom.** Stik z električnim vodom lahko povzroči požar ali električni udar. Poškodbe na plinovodu so lahko vzrok za

eksplozijo, vdor v vodovodno omrežje pa ima za posledico materialno škodo.

- ▶ **Pred odlaganjem električnega orodja počakajte, da se orodje popolnoma ustavi.** Nastavek se lahko zatakne, zaradi česar lahko izgubite nadzor nad električnim orodjem.
- ▶ **Če je akumulatorska baterija poškodovana ali če jo nepravilno uporabljate, lahko iz nje uhajajo pare. Akumulatorska baterija se lahko vname ali eksplodira.** Poskrbite za dovod svežega zraka in se v primeru težav obrnite na zdravnika. Pare lahko povzročijo draženje dihalnih poti.
- ▶ **Akumulatorske baterije ne spreminjajte in ne odpirajte.** Obstaja nevarnost kratkega stika.
- ▶ **Koničasti predmeti, kot so na primer žebli ali izvijači, in zunanji vplivi lahko poškodujejo akumulatorsko baterijo.** Pojavi se lahko kratek stik, zaradi katerega lahko akumulatorska baterija zgori, se osmоди, pregreje ali eksplodira.
- ▶ **Uporabljajte akumulatorsko baterijo samo v proizvajalčevih izdelkih.** Le tako je akumulatorska baterija zaščiten pred nevarno preobremenitvijo.



Akumulatorsko baterijo zaščitite pred vročino, npr. tudi pred neposredno sončno svetlobo, ognjem, umazanijo, vodo in vlago. Obstaja nevarnost eksplozije in kratkega stika.

Opis izdelka in storitev



Preberite vsa varnostna opozorila in navodila.

Neupoštevanje varnostnih opozoril in navodil lahko povzroči električni udar, požar in/ali hude poškodbe.

Upoštevajte slike na začetku navodil za uporabo.

Namenska uporaba

Električno orodje je predvideno za privijanje in odvijanje vijakov in za vrtnje v les, kovino, keramiko in plastiko ter za udarno vrtnje v opeko, zid in kamen.

Komponente na sliki

Oštevilčenje komponent na sliki se nanaša na shemo električnega orodja na strani s shemami.

- (1) Vpenjalni sistem
- (2) Hitrovpenjalna glava
- (3) Nastavitveni obroček za izbiro vrtilnega momenta
- (4) Kolesce za izbiro načina delovanja
- (5) Stikalo za izbiro stopnje števila vrtljajev
- (6) Akumulatorska baterija^{a)}
- (7) Tipka za sprostitvev akumulatorske baterije^{a)}
- (8) Delovna lučka (LED)
- (9) Stikalo za izbiro smeri vrtnja
- (10) Stikalo za vklop/izklop
- (11) Ročaj (izolirana oprijemalna površina)

(12) Vijačni nastavek^{A)}

(13) Univerzalno držalo za nastavke^{B)}

a) Ta pribor ne spada v standardni obseg dobave.

Tehnični podatki

Akumulatorski udarni vrtnik		GSB 183-LI	
Kataloška številka		3 601 JK9 1..	
Nazivna napetost	V=	18	
Število vrtljajev v prostem teku ^{A)(B)}			
– 1. stopnja	min ⁻¹	0–440	
– 2. stopnja	min ⁻¹	0–1650	
Najv. vrtilni moment pri trdem/mehkem vijačenju ^{A)(B)}	Nm	56/21	
Število udarcev ^{A)(B)}	min ⁻¹	24000	
Najv. premer vrtnaja			
– Zid	mm	10	
– Jeklo	mm	10	
– Les	mm	35	
Območje vpenjanja vpenjalne glave			
Najv. premer vijačenja	mm	10	
Teža ^{B)}	kg	1,6 (2,0 Ah)– 2,6 (12,0 Ah)	
Priporočena zunanja temperatura med polnjenjem	°C	0 ... +35	
Dovoljena zunanja temperatura med delovanjem ^{C)} in med skladiščenjem	°C	–20 ... +50	
Priporočene akumulatorske baterije		GBA 18V... ProCORE18V...	
Priporočeni polnilniki		GAL 18... GAX 18... GAL 36...	

A) Izmerjeno pri 20–25 °C z akumulatorsko baterijo **GBA 18V 2.0Ah**.

B) odvisno od uporabljene akumulatorske baterije

C) omejena zmogljivost pri temperaturah < 0 °C

Vrednosti se lahko razlikujejo glede na izdelek in so odvisne od pogojev uporabe in okoljskih pogojev. Več informacij je na voljo na spletni strani www.bosch-professional.com/wac.

Podatki o hrupu/tresljajih

Podatki o emisijah hrupa, pridobljeni v skladu s standardom **EN 62841-2-1**.

A-vrednotena raven hrupa za električno orodje običajno znaša: raven zvočnega tlaka **86 dB(A)**; raven zvočne moči **94 dB(A)**. Negotovost K = **5 dB**.

Uporabite zaščito za sluh!

Skupne vrednosti tresljajev a_h (vektorska vsota treh smeri) in negotovost K so določene v skladu s standardom **EN 62841-2-1**:

Vrtanje v kovino: $a_h = 1,0 \text{ m/s}^2$, $K = 1,5 \text{ m/s}^2$

Udarno vrtanje v beton: $a_h = 12,8 \text{ m/s}^2$, $K = 1,5 \text{ m/s}^2$,

Vrednosti nivoja tresljajev in hrupa, podane v teh navodilih, so bile izmerjene v skladu s standardiziranim merilnim postopkom in se lahko uporabljajo za medsebojno primerjavo električnih orodij. Primerne so tudi za začasno oceno oddajanja tresljajev in hrupa.

Naveden nivo tresljajev in hrupa je določen na osnovi glavnih načinov uporabe električnega orodja. Pri uporabi orodja v drugačne namene, z drugačnimi nastavki ali pri nezadostnem vzdrževanju lahko nivo hrupa in tresljajev odstopa. To lahko obremenjenost s hrupom in tresljaji v celotnem obdobju uporabe občutno poveča.

Za natančnejšo oceno obremenjenosti s hrupom in tresljaji morate upoštevati tudi čas, ko je orodje izklopljeno, in čas, ko orodje deluje, vendar dejansko ni v uporabi. To lahko občutno zmanjša obremenjenost s hrupom in tresljaji, ki je razporejena na celotno obdobje uporabe.

Določite dodatne varnostne ukrepe za zaščito uporabnika pred vplivi tresljajev, npr. vzdrževanje električnega orodja in nastavkov, segrevanje rok, organizacija delovnih postopkov.

Namesitev

► **Pred kakršnimi koli deli na električnem orodju (npr. vzdrževanjem, menjavo nastavkov, itd.) akumulatorsko baterijo odstranite iz električnega orodja.** Pri nenamernem pritisku stikala za vklop/izklop obstaja nevarnost poškodb.

Napolnite akumulatorsko baterijo

► **Uporabljajte samo polnilnike, ki so navedeni v tehničnih podatkih.** Samo ti polnilniki so združljivi z litij-ionsko akumulatorsko baterijo, ki je nameščena v vašem električnem orodju.

Opozorilo: akumulatorska baterija je ob dobavi delno napolnjena. Da zagotovite polno moč akumulatorske baterije, jo pred prvo uporabo popolnoma napolnite v polnilniku.

Litij-ionsko akumulatorsko baterijo lahko kadar koli napolnite, ne da bi s tem skrajšali njeno življenjsko dobo. Prekinitev polnjenja ne poškoduje akumulatorske baterije.

Litij-ionska akumulatorska baterija je zaščitena pred prekomerno izpraznitvijo s sistemom elektronske zaščite celic „Electronic Cell Protection (ECP)“. Če je akumulatorska baterija izpraznjena, zaščitno stikalo izklopi električno orodje: nastavek se ne premika več.

► **Po samodejnem izklopu električnega orodja ne pritiskajte več na stikalo za vklop/izklop.** Akumulatorska baterija se lahko poškoduje.

Upoštevajte navodila za odstranjevanje.

Odstranitev akumulatorske baterije

Akumulatorska baterija (6) ima dve blokirni stopnji, ki preprečujeta, da bi akumulatorska baterija pri nenamernem pritisku sprostitvene tipke (7) izpadla. Kadar je akumulatorska baterija vstavljena v električno orodje, jo varuje vzmet.

Akumulatorsko baterijo (6) odstranite tako, da pritisnete tipko za sprostitvev (7) in akumulatorsko baterijo odstranite iz električnega orodja. **Pri tem ne uporabljajte sile.**

Menjava nastavka (glejte sliko A)

- **Pred kakršnimi koli deli na električnem orodju (npr. vzdrževanjem, menjavo nastavkov, itd.) akumulatorsko baterijo odstranite iz električnega orodja.** Pri nenamernem pritisku stikala za vklop/izklop obstaja nevarnost poškodb.

Če stikalo za vklop/izklop (10) ni pritisnjeno, se vrtnalo vreteno zaklene. To omogoča hitro, udobno in enostavno zamenjavo vstavnega orodja v vpenjalni glavi.

Odprite hitrovpenjalno vrtnalo glavo (2) tako, da jo vrtite v smeri vrtenja (1) tako dolgo, da lahko vstavite nastavek. Vstavite orodje.

Tulec hitrovpenjalne vrtnalne glave (2) z roko čvrsto vrtite v smeri (2). Vpenjalna glava se tako samodejno blokira.

Odsesavanje prahu/ostružkov

Prah nekaterih materialov, npr. svinčenega premaza, nekaterih vrst lesa, mineralov in kovin lahko škoduje zdravju. Dotik ali vdihavanje tega prahu lahko povzroči alergične reakcije in/ali obolenja dihal uporabnika ali drugih prisotnih oseb.

Določene vrste prahu, kot je npr. prah hrastovine ali bukovja, so rakotvorne, še posebej skupaj z dodatnimi snovmi za obdelavo lesa (kromat, zaščitno sredstvo za les). Material z vsebnostjo azbesta smejo obdelovati le strokovnjaki.

- Poskrbite za dobro zračenje delovnega mesta.
- Priporočamo, da nosite zaščitno masko za prah s filtrirnim razredom P2.

Upoštevajte veljavne nacionalne predpise za obdelovane materiale.

- **Preprečite nabiranje prahu na delovnem mestu.** Prah se lahko hitro vname.

Delovanje

Uporaba

Namestitev akumulatorske baterije

Opomba: uporaba akumulatorskih baterij, ki niso primerne za električno orodje, lahko povzroči nepravilno delovanje ali poškodbe električnega orodja.

Akumulatorsko baterijo (6) od spredaj potisnite v podnožje električnega orodja tako daleč, da se močno zaskoči.

Nastavitev smeri vrtenja (glejte sliko B)

- **Stikalo za preklap smeri vrtenja (9) uporabljajte samo, ko električno orodje miruje.**

S preklopnim stikalom smeri vrtenja (9) lahko spremenite smer vrtenja električnega orodja. Pri pritisnjem stikalu za vklop/izklop (10) spreminjanje smeri vrtenja ni možno.

Desno: za vrtnje in privijanje vijakov potisnite stikalo za preklap smeri vrtenja (9) v levo do prislon.

Vrtenje v levo: za popuščanje oziroma odvijanje vijakov in matic pritisnite preklopno stikalo smeri vrtenja (9) popolnoma v desno.

Nastavitev načina delovanja



Vrtanje

Nastavitveni obroček za izbiro načina delovanja (4) zavrtite na simbol za vrtnje, da dosežete največji možni vrtilni moment za vrtnje in vijachenje.



Vijachenje

Nastavitveni obroček za izbiro načina delovanja (4) nastavite na simbol za vijachenje.

Nastavitveni obroček za izbiro vrtilnega momenta (3) nastavite na zeleni vrtilni moment.



Udarno vrtnje

Nastavitveni obroček za izbiro načina delovanja (4) nastavite na simbol za udarno vrtnje.

Vklop/izklop

Za **zagon** električnega orodja pritisnite na stikalo za vklop/izklop (10) in ga držite pritisnjena.

Lučka LED (8) sveti pri delno ali popolnoma pritisnjem stikalu za vklop/izklop (10) in omogoča osvetlitev delovnega območja pri neugodnih svetlobnih razmerah.

Za **izklop** električnega orodja izpusite stikalo za vklop/izklop (10).

Delovna lučka LED s prikazom stanja



Delovna lučka LED (8) se uporablja tudi kot prikaz stanja za zaščito orodja in nizko stanje napolnjenosti akumulatorske baterije:

LED-dioda za povratno informacijo	Opis
Lučka trikrat utripne pri delovanju	Nizko stanje napolnjenosti akumulatorske baterije. Stanje napolnjenosti akumulatorske baterije je padlo pod optimalno napetost. Zmogljivost naprave se bo zmanjšala.
Lučka trikrat utripne ko orodje miruje	Zaščita orodja je aktivna. Vključena je bila zaščita orodja, da se akumulatorska baterija zaščiti pred veliko porabo energije in orodje pred poškodbami.

- Če je stanje napoljenosti akumulatorske baterije nizko, akumulatorsko baterijo **(6)** napolnite ali jo zamenjajte s popolnoma napolnjeno akumulatorsko baterijo.

Nastavitev števila vrtljajev

Število vrtljajev vklopljenega električnega orodja lahko brezstopenjsko upravljate glede na to, kako globoko pritisnete stikalo za vklop/izklop **(10)**.

Rahel pritisk na stikalo za vklop/izklop **(10)** povzroči nizko število vrtljajev. Z vse močnejšim pritiskanjem stikala se število vrtljajev povečuje.

Predhodna izbira števila vrtljajev (velja za način delovanja Vijačenje)

Z obročkom za izbiro vrtilnega momenta **(3)** lahko vnaprej izberete zeleni vrtilni moment v 20 različnih stopnjah. Nastavek se ustavi takoj, ko je dosežen nastavljeni vrtilni moment.

Mehanska izbira stopnje

- **Stikalo za izbiro stopnje (5) uporabljajte samo, ko električno orodje miruje.**

Stopnja 1:

Področje nizkega števila vrtljajev; za delo z velikim vrtilnim premerom ali vijačenje.

Stopnja 2:

Visoko število vrtljajev; za vrтанje s svetri manjših premerov.

- **Stikalo za izbiro stopnje vedno potisnite povsem do omejevala.** V nasprotnem primeru se lahko električno orodje poškoduje.

Zaščita pred preobremenitvijo glede na temperaturo

Električnega orodja pri uporabi v skladu z namembnostjo ni mogoče preobremeniti. Pri preveliki obremenitvi ali neupoštevanju dovoljenega območja temperature akumulatorske baterije se električno orodje izključi in LED-dioda na električnem orodju utripa. Preden nadaljujete z delom, pustite, da se električno orodje ohladi.

Samodejno aretiranje vretena (Auto-Lock)

Če tipka za vklop/izklop **(10)** ni pritisnjena, se vrtilno vreteno in vpenjalni sistem **(1)** zakleneta.

To omogoča privijanje vijakov tudi pri prazni akumulatorski bateriji **(6)**, kar pomeni, da lahko električno orodje uporabljate kot običajni izvijač.

Navodila za delo

- **Električno orodje lahko na vijak postavite samo v izklopljenem stanju.** Nastavek, ki se vrti, lahko zdrsne.

Pred privijanjem večjih, daljših vijakov v trde materiale najprej opravite predhodno vrтанje z osnovnim premerom navoja, in sicer v globini približno 2/3 dolžine vijaka.

Za odstranitev vijačnega nastavka ali univerzalnega držala lahko uporabite pomožno orodje.

Vzdrževanje in servisiranje

Vzdrževanje in čiščenje

- **Pred kakršnimi koli deli na električnem orodju (npr. vzdrževanjem, menjavo nastavkov, itd.) akumulatorsko baterijo odstranite iz električnega orodja.** Pri nenamernem pritisku stikala za vklop/izklop obstaja nevarnost poškodb.
- **Skrbite za čistočo električnega orodja in prezračevalnih utorov, da lahko dobro in varno delate.**

Servisna služba in svetovanje uporabnikom

Servis vam bo dal odgovore na vaša vprašanja glede popravila in vzdrževanja izdelka ter nadomestnih delov. Risbe razstavljenega stanja in informacije o nadomestnih delih se nahajajo tudi na spletu pod: www.bosch-pt.com Skupina svetovalcev o uporabi podjetja Bosch Vam bo z veseljem v pomoč pri vprašanjih o naših izdelkih in njihovega pribora.

Ob vseh vprašanjih in naročilih rezervnih delov nujno navedite 10-mestno številko na tipski ploščici izdelka.

Slovensko

Robert Bosch d.o.o.
Verovškova 55a
1000 Ljubljana
Tel.: +00 803931
Fax: +00 803931
Mail: servis.pt@si.bosch.com
www.bosch.si

Drugi naslovi za servis so navedeni pod:

www.bosch-pt.com/serviceaddresses

Transport

Za priporočene litij-ionske akumulatorje veljajo zahteve zakonodaje o nevarnem blagu. Uporabnik lahko akumulatorske baterije brez nadaljnjih pogojev transportina na cesti.

Pri pošiljanju s strani tretjih oseb (npr. zračni transport ali špedicija) se morajo upoštevati posebne zahteve glede embalaže in označitve. Pri pripravi odpreme mora biti obvezno vključen strokovnjak za nevarne snovi.

Akumulatorske baterije pošiljajte samo, če je ohišje nepoškodovano. Prelepitate odprte kontakte in zapakirajte akumulatorsko baterijo tako, da se v embalaži ne premika. Prosimo, upoštevajte tudi morebitne dodatne nacionalne predpise.

Odlaganje



Poskrbite za okolju prijazno recikliranje električnih orodij, akumulatorskih baterij, pribora in embalaž.



Električnih orodij in akumulatorskih/običajnih baterij ne smete odvreći med gospodinjske odpadke!

Zgolj za države Evropske unije:

Odslužena električna orodja in okvarjene ali odpadne akumulatorske in navadne baterije je treba zbirati in zavreći ločeno. Uporabite za to predvidene sisteme za zbiranje odpadkov.

Pri nepravilnem odstranjanju ima lahko odpadna električna in elektronska oprema zaradi možnega obstoja nevarnih snovi škodljiv vpliv na okolje in človeško zdravje.

Akumulatorske/običajne baterije:

Litijevi ioni:

Upoštevajte navodila v poglavju „Transport“ (glejte „Transport“, Stran 104).

Hrvatski

Sigurnosne napomene

Uobičajena sigurnosna upozorenja za električne alate

⚠ UPOZORENJE Pročitajte sva sigurnosna upozorenja, upute, ilustracije i specifikacije koje se isporučuju s ovim električnim alatom. Nepoštivanje dolje navedenih uputa može uzrokovati električni udar, požar i/ili ozbiljne ozljede.

Sačuvajte sve napomene o sigurnosti i upute za buduću primjenu.

Pojam „električni alat“ u upozorenjima odnosi se na električne alate s priključkom na električnu mrežu (s mrežnim kablom) i električne alate s napajanjem na akumulatorsku bateriju (bez mrežnog kabela).

Sigurnost na radnom mjestu

► **Održavajte radno mjesto čistim i dobro osvijetljenim.**

Nered ili neosvijetljeno radno mjesto mogu uzrokovati nezgode.

► **Ne radite s električnim alatima u eksplozivnim atmosferama, primjerice onima u kojima ima zapaljivih tekućina, plinova ili prašine.**

Električni alati proizvode iskre koje mogu zapaliti prašinu ili pare.

► **Tijekom upotrebe električnog alata djecu i druge osobe držite podalje od mjesta rada.** Svako odvratanje pozornosti može uzrokovati gubitak kontrole nad uređajem.

Električna sigurnost

► **Priključni utikač električnog alata mora odgovarati utičnici. Sve su preinake utikača zabranjene. Nemojte upotrebljavati adapterske utikače zajedno sa**

zaštitno uzemljenim električnim alatima. Utikač na kojem nisu vršene preinake i odgovarajuća utičnica smanjuju opasnost od strujnog udara.

► **Izbjegavajte dodir tijela s uzemljenim površinama kao što su cijevi, radijatori, štednjaci i hladnjaci.** Opasnost od električnog udara je veća ako je vaše tijelo uzemljeno.

► **Električne alate držite dalje od kiše ili vlage.** Prodiranje vode u električni alat povećava opasnost od strujnog udara.

► **Ne zloupotrebjavajte priključni kabel. Nikada nemojte upotrebljavati priključni kabel za nošenje, vješanje električnog alata ili za izvlačenje utikača iz mrežne utičnice. Priključni kabel držite dalje od izvora topline, ulja, oštih rubova ili pomičnih dijelova uređaja.** Oštećen ili zapleten priključni kabel povećava opasnost od strujnog udara.

► **Ako s električnim alatom radite na otvorenom, upotrebljavajte isključivo produžni kabel prikladan za upotrebu na otvorenom.** Upotreba produžnog kabela prikladnog za rad na otvorenom smanjuje opasnost od strujnog udara.

► **Ako ne možete izbjeći upotrebu električnog alata u vlažnoj okolini, upotrijebite diferencijalnu strujnu zaštitnu sklopku.** Primjenom diferencijalne strujne zaštitne sklopke izbjegava se opasnost od strujnog udara.

Sigurnost ljudi

► **Budite pažljivi, pazite što činite i postupajte oprezno dok radite s električnim alatom. Nemojte upotrebljavati alat ako ste umorni ili pod utjecajem droga, alkohola ili lijekova.** Trenutak nepažnje kod upotrebe električnog alata može uzrokovati ozbiljne ozljede.

► **Nosite osobnu zaštitnu opremu. Uvijek nosite zaštitne naočale.** Nošenje osobne zaštitne opreme, kao što je maska za prašinu, zaštitna obruča s protukliznim potplatom, zaštitna kaciga ili štitnik za sluh, ovisno od vrste i primjene električnog alata, smanjuje opasnost od ozljeda.

► **Spriječite svako nehotično uključivanje uređaja. Prije nego što ćete utaknuti utikač u utičnicu i/ili staviti komplet baterija, provjerite je li električni alat isključen.** Ako kod nošenja električnog alata imate prst na prekidaču ili se uključen uređaj priključi na električno napajanje, to može dovesti do nezgoda.

► **Prije uključivanja električnog alata uklonite alate za podešavanje ili ključ.** Alat ili ključ koji se nalazi u rotirajućem dijelu uređaja može dovesti do nezgoda.

► **Izbjegavajte neuobičajene položaje tijela. Zauzmite siguran i stabilan položaj tijela i u svakom trenutku održavajte ravnotežu.** Na taj način možete električni alat bolje kontrolirati u neočekivanim situacijama.

► **Nosite prikladnu odjeću. Ne nosite široku odjeću ni nakit. Kosu i odjeću držite dalje od pomičnih dijelova.** Široku odjeću, dugu kosu ili nakit mogu zahvatiti pomični dijelovi.

- ▶ **Ako uređaji imaju priključak za usisavače za prašinu, provjerite jesu li isti priključeni i mogu li se ispravno upotrebljavati.** Upotreba sustava za usisavanje može smanjiti mogućnost nastanka opasnih situacija koje uzrokuju prašina.
- ▶ **Nemojte postati previše bezbrižni i zanemariti sigurnosne upute zato što alat često upotrebljavate i smatrate da ste ga dobro poznali.** Samo jedan trenutak nepažnje dovoljan je za nastanak ozbiljnih ozljeda.

Upotreba i održavanje električnog alata

- ▶ **Ne preopterećujte uređaj. Za svaki posao upotrebljavajte prikladan i za to predviđen električni alat.** S odgovarajućim električnim alatom posao ćete obaviti lakše, brže i sigurnije.
- ▶ **Nemojte upotrebljavati električni alat čiji je prekidač neispravan.** Električni alat koji se više ne može uključivati i isključivati opasan je i mora se popraviti.
- ▶ **Alat prije podešavanja, izmjene pribora i odlaganja isključite iz izvora napajanja i/ili izvadite komplet baterije, ako se vadi iz uređaja.** Ovim mjerama opreza izbjeći će se nehotično uključivanje električnog alata.
- ▶ **Električni alat koji ne upotrebljavate spremite izvan dosega djece.** Rukovanje alatom zabranjeno je osobama koje nisu s njim upoznate ili koje nisu pročitale ove upute. Električni alati su opasni ako s njima rade neiskusne osobe.
- ▶ **Redovno održavajte električne alate i pribor.** Kontrolirajte rade li besprijekorno pomični dijelovi uređaja, jesu li zaglavljani, polomljeni ili oštećeni tako da to ugrožava daljnju upotrebu i rad električnog alata. Prije upotrebe oštećene dijelove treba popraviti. Loše održavani električni alati uzrok su mnogih nezgoda.
- ▶ **Rezne alate održavajte oštrim i čistim.** Pažljivo održavani rezni alati s oštrim oštricama manje će se zaglavljivati i lakše se s njima radi.
- ▶ **Električni alat, pribor, radne alate, itd. upotrebljavajte prema ovim uputama i na način kako je to propisano za određenu vrstu uređaja.** Pritom uzmite u obzir radne uvjete i radove koje treba izvršiti. Upotreba električnog alata za poslove izvan njegove predviđene upotrebe može dovesti do opasnih situacija.
- ▶ **Ručke i zahvatne površine održavajte suhima, čistima i pazite da na njih ne dospiju ulje ili mast.** Skliske ručke i zahvatne površine onemogućuju sigurno rukovanje i alat se teško kontrolira u neočekivanim situacijama.

Upotreba i održavanje akumulatorskih alata

- ▶ **Akumulatorsku bateriju puniti isključivo punjačima koje preporučuje proizvođač.** Ako punjač predviđen za jednu određenu vrstu kompleta baterija rabite s drugim kompletom baterija, postoji opasnost od požara.
- ▶ **Električne alate upotrebljavajte isključivo s posebnim, namjenskim kompletima baterija.** Upotreba drugih kompleta baterija može dovesti do ozljeda i opasnosti od požara.

- ▶ **Komplete baterija dok ih ne upotrebljavate držite dalje od uredskih spajalica, kovanica, ključeva, čavala, vijaka ili drugih sitnih metalnih predmeta koji bi mogli uzrokovati premošćenje kontakata.** Kratki spoj između kontakata baterije može uzrokovati opeklina ili požar.
- ▶ **Kod pogrešne primjene iz baterije može isteći tekućina. Izbjegavajte kontakt s ovom tekućinom. Kod slučajnog kontakta zahvaćeno mjesto treba isprati vodom. Ako vam tekućina uđe u oči, zatražite pomoć liječnika.** Tekućina istekla iz baterije može uzrokovati nadraženost kože i opekline.
- ▶ **Ne upotrebljavajte oštećene ili izmijenjene komplete baterija ni alate.** Oštećene ili izmijenjene baterije podložne su nepredviđivom ponašanju i mogu uzrokovati požar, eksploziju ili ozljede.
- ▶ **Držite alat i komplet baterija dalje od vatre i visokih temperatura.** Izlaganje vatri ili temperaturi višoj od 130 °C može uzrokovati eksploziju.
- ▶ **Poštuje sve upute za punjenje i komplet baterija i alat ne puniti pri temperaturama izvan vrijednosti koje su propisane i navedene u uputama.** Nepravilno punjenje ili punjenje pri temperaturama višim od propisanih može oštetiti bateriju i povećati opasnost od požara.

Servisiranje

- ▶ **Popravak električnog alata prepustite kvalificiranom osoblju ovlaštenog servisa i isključivo s originalnim rezervnim dijelovima.** Tako će biti zajamčen siguran rad s uređajem.
- ▶ **Nikada ne servisirajte oštećene komplete baterija.** Servisiranje kompleta baterija smiju obavljati isključivo proizvođači i ovlašteni serviseri.

Sigurnosna upozorenja za bušilice

Sigurnosne upute za sve radnje

- ▶ **Prilikom udarnog bušenja nosite zaštitu za uši.** Izloženost buci može prouzročiti gubitak sluha.
- ▶ **Električni alat držite isključivo za izolirane prihvatne površine ako izvodite radove kod kojih bi pribor za rezanje ili pričvršćivači mogli zahvatiti skrivene električne vodove.** Ako pribor za rezanje ili pričvršćivač dođu u doticaj sa žicama pod naponom i metalni dijelovi električnog alata mogu biti pod naponom, što može dovesti do električnog udara rukovaoca.

Sigurnosne upute za upotrebu dugačkih svrdla

- ▶ **Ne radite s uređajem pri brzini većoj od najveće nazivne brzine svrdla.** Pri većim se brzinama svrdlo može savinuti ako ga ostavite da se slobodno okreće bez dodirivanja izratka, što može dovesti do osobnih ozljeda.
- ▶ **Bušenje uvijek započnite pri manjoj brzini i s vrhom svrdla koje dodiruje izradak.** Pri većim se brzinama svrdlo može savinuti ako ga ostavite da se slobodno okreće bez dodirivanja izratka, što može dovesti do osobnih ozljeda.

- ▶ **Pritišćite isključivo izravno s pomoću svrdla i bez prekomjerne sile.** Svrdla se mogu savinuti, što može prouzročiti pucanje ili gubitak kontrole te rezultirati osobnim ozljedama.

Dodatne sigurnosne napomene

- ▶ **Odmah isključite električni alat ako se blokira radni alat. Budite pripravi na visoke reakcijske momente koji uzrokuju povratni udarac.** Radni alat se blokira ako se preoptereći električni alat ili se zaglavi u izratku koji se obrađuje.
- ▶ **Čvrsto držite električni alat.** Pri pritezanju i otpuštanju vijaka može doći do kratkotrajno visokih reakcijskih momenata.
- ▶ **Osigurajte izradak.** Izradak stegnut pomoću stezne naprave ili škripca sigurnije će se držati nego s vašom rukom.
- ▶ **Koristite prikladne detektore kako biste pronašli skrivene opskrbe vodove ili zatražite pomoć lokalnog distributera.** Kontakt s električnim vodovima može dovesti do požara i električnog udara. Oštećenje plinske cijevi može dovesti do eksplozije. Probijanje vodovodne cijevi uzrokuje materijalne štete.
- ▶ **Prije odlaganja električnog alata pričekajte da se zaustavi.** Radni alat se može zaglaviti što može dovesti do gubitka kontrole nad električnim alatom.
- ▶ **U slučaju oštećenja i nestručne uporabe aku-baterije mogu se pojaviti pare. Aku-baterija može izgorjeti ili eksplodirati.** Dovedite svježi zrak i u slučaju potrebe zatražite liječničku pomoć. Pare mogu nadražiti dišne puteve.
- ▶ **Ne mijenjajte i ne otvarajte aku-bateriju.** Postoji opasnost od kratkog spoja.
- ▶ **Oštrim predmetima kao što su npr. čavli, odvijači ili djelovanjem vanjske sile aku-baterija se može oštetiti.** Može doći do unutrašnjeg kratkog spoja i aku-baterija može izgorjeti, razviti dim, eksplodirati ili se pregrijati.
- ▶ **Aku-bateriju koristite samo u proizvodima proizvođača.** Samo na ovaj način je aku-baterija zaštićena od opasnog preopterećenja.



Zaštite aku-bateriju od vrućine, npr. također od stalnog sunčevog zračenja, vatre, prljavštine, vode i vlage. Postoji opasnost od eksplozije i kratkog spoja.



Opis proizvoda i radova



Treba pročitati sve sigurnosne napomene i upute. Propusti do kojih može doći uslijed nepridržavanja sigurnosnih napomena i uputa mogu uzrokovati električni udar, požar i/ili teške ozljede.

Pridržavajte se slika na početku uputa za uporabu.

Namjenska uporaba

Električni alat je namijenjen za uvrtanje i otpuštanje vijaka te bušenje u drvo, metal, keramiku i plastiku i za udarno bušenje u opeci, zidovima i kamenu.

Prikazani dijelovi alata

Numeriranje prikazanih dijelova odnosi se na prikaz električnog alata na stranici sa slikama.

- (1) Prihvat alata
- (2) Brzostezna glava
- (3) Prsten za namještanje predbiranja zakretnog momenta
- (4) Prsten za prethodno biranje načina rada
- (5) Prekidač za biranje brzina
- (6) Aku-baterija^{a)}
- (7) Tipka za deblokadu aku-baterije^{a)}
- (8) Radno svjetlo (LED)
- (9) Preklopka smjera rotacije
- (10) Prekidač za uključivanje/isključivanje
- (11) Ručka (izolirana površina zahvata)
- (12) Bit izvijača^{a)}
- (13) Univerzalni držač^{a)}

a) **Ovaj pribor ne spada u standardni opseg isporuke.**

Tehnički podaci

Akumulatorska udarna bušilica		GSB 183-LI
Kataloški broj		3 601 JK9 1..
Nazivni napon	V=	18
Broj okretaja u praznom hodu ^{A)B)}		
– 1. brzina	min ⁻¹	0–440
– 2. brzina	min ⁻¹	0–1650
Maks. zakretni moment za mekano/tvrdo uvrtanje ^{A)B)}	Nm	56/21
Broj udaraca ^{A)B)}	min ⁻¹	24000
Maks. promjer bušenja		
– Zidovi	mm	10
– Čelik	mm	10
– Drvo	mm	35
Stezno područje stezne glave	mm	13
Maks. promjer vijaka	mm	10
Težina ^{B)}	kg	1,6 (2,0 Ah)– 2,6 (12,0 Ah)
Preporučena temperatura okoline kod punjenja	°C	0 ... +35
Dopuštena temperatura okoline pri radu ^{B)} i kod skladištenja	°C	–20 ... +50

Akumulatorska udarna bušilica		GSB 183-LI
Preporučene aku-baterije		GBA 18V... ProCORE18V...
Preporučeni punjači		GAL 18... GAX 18... GAL 36...

A) Izmjeren na 20–25 °C s aku-baterijom **GBA 18V 2.0Ah**.

B) ovisno o stavljenoj akumulatoru

C) ograničeni učinak pri temperaturama < 0 °C

Vrijednosti se mogu razlikovati ovisno o proizvodu i ovise o uvjetima primjene i okoline. Dodatne informacije na www.bosch-professional.com/wac.

Informacije o buci i vibracijama

Emisijske vrijednosti buke utvrđene sukladno **EN 62841-2-1**.

Razina buke električnog alata prema ocjeni A iznosi obično: razina zvučnog tlaka **86 dB(A)**; razina zvučne snage **94 dB(A)**. Nesigurnost K = **5 dB**.

Nosite zaštitu za uši!

Ukupne vrijednosti vibracija a_h (vektorski zbroj tri pravca) i nesigurnost K utvrđene u skladu s normom **EN 62841-2-1**:

Bušenje metala: $a_h = 1,0 \text{ m/s}^2$, K = **1,5 m/s²**

Udarno bušenje u beton: $a_h = 12,8 \text{ m/s}^2$, K = **1,5 m/s²**,

Razina titranja koja je navedena u ovim uputama i emisijska vrijednost buke izmjerene su sukladno normiranom postupku mjerenja te se mogu koristiti za međusobnu usporedbu električnih alata. Primjerene su i za privremenu procjenu emisije titranja i buke.

Navedena razina titranja i emisijska vrijednost buke predstavljaju glavne primjene električnog alata. Ako se ustvari električni alat koristi za druge primjene s radnim alatima koji odstupaju od navedenih ili se nedovoljno održavaju, razina titranja i emisijska vrijednost buke mogu odstupati. Na taj se način može osjetno povećati emisija titranja i buke tijekom čitavog vremenskog perioda rada.

Za točnu procjenu emisija titranja i buke trebaju se uzeti u obzir i vremena, tijekom kojih je alat bio isključen ili je radio, ali se zapravo nije koristio. Na taj se način može osjetno smanjiti emisija titranja i buke tijekom čitavog vremenskog perioda rada.

Odredite dodatne sigurnosne mjere za zaštitu korisnika prije djelovanja titranja kao npr.: održavanje električnog alata i nastavaka, održavanje toplih ruku, organizacija tokova rada.

Montaža

► **Prije svih radova na električnom alatu (npr. održavanje, zamjena alata, itd.) aku-bateriju treba izvaditi iz električnog alata.** Kod nehotičnog aktiviranja prekidača za uključivanje/isključivanje postoji opasnost od ozljeda.

Punjenje aku-baterije

► **Koristite samo punjače navedene u tehničkim podacima.** Samo su ovi punjači prilagođeni litij-ionskoj aku-bateriji koja se koristi u vašem električnom alatu.

Napomena: Aku-baterija se isporučuje djelomično napunjena. Kako bi se zajamčio puni učinak aku-baterije, prije prve uporabe aku-bateriju napunite do kraja u punjaču. Litij-ionska aku-baterija može se u svakom trenutku puniti bez skraćanja njenog vijeka trajanja. Prekid u procesu punjenja neće oštetiti aku-bateriju.

Litij-ionska aku-baterija je "Electronic Cell Protection (ECP)" zaštitom zaštićena od dubinskog pražnjenja. Kada se aku-baterija isprazni, električni alat će se isključiti uz pomoć zaštitne sklopke: radni alat se više neće vrtjeti.

► **Nakon automatskog isključivanja električnog alata ne pritišćite dalje prekidač za uključivanje/isključivanje.**

Aku-baterija bi se mogla oštetiti.

Pridržavajte se uputa za zbrinjavanje u otpad.

Vađenje aku-baterije

Aku-baterija (6) ima dva stupnja blokiranja koji trebaju spriječiti da aku-baterija ispadne kod nehotičnog pritiska na tipku za deblokadu aku-baterije (7). Čim se aku-baterija stavi u električni alat, ona će se pomoću opruge zadržati u određenom položaju.

Za vađenje aku-baterije (6) pritisnite tipku za deblokadu (7) i izvucite aku-bateriju iz električnog alata. **Pritom ne primjenjujte silu.**

Zamjena alata (vidjeti sliku A)

► **Prije svih radova na električnom alatu (npr. održavanje, zamjena alata, itd.) aku-bateriju treba izvaditi iz električnog alata.** Kod nehotičnog aktiviranja prekidača za uključivanje/isključivanje postoji opasnost od ozljeda.

Ako prekidač za uključivanje/isključivanje (10) nije pritisnut, blokira se bušno vreteno. To omogućava brzu, laganu i jednostavnu zamjenu radnog alata u steznoj glavi.

Otvarajte brzosteznu glavu (2) okretanjem u smjeru rotacije ① sve dok ne možete umetnuti alat. Umetnite alat.

Rukom snažno zavrnite čahuru brzostezne glave (2) u smjeru rotacije ②. Na taj način se stezna glava automatski blokira.

Usisavanje prašine/strugotina

Prašina od materijala, kao što su premazi sa sadržajem olova, neke vrste drva, minerala i metala, može biti štetna za zdravlje. Dodirivanje ili udisanje prašine može uzrokovati alergijske reakcije i/ili oboljenja dišnih puteva korisnika ili osoba koje se nalaze u blizini.

Određena vrsta prašine, kao što je npr. prašina od hrastovine ili bukve smatra se kancerogenom, posebno u kombinaciji s dodatnim tvarima za obradu drva (kromat, zaštitna sredstva za drvo). Materijal, koji sadrži azbest, smiju obrađivati samo stručne osobe.

- Pobrinite se za dobro prozračivanje radnoga mjesta.
- Preporučuje se nošenje zaštitne maske s klasom filtra P2.

Poštujte važeće propise u vašoj zemlji za materijale koje ćete obrađivati.

► **Izbjegavajte nakupljanje prašine na radnom mjestu.**

Prašina se može lako zapaliti.

Rad

Puštanje u rad

Umetanje aku-baterije

Napomena: Uporaba aku-baterija, koje nisu prikladne za vaš električni alat, može dovesti do neispravnog rada ili oštećenja električnog alata.

Gurajte napunjenu aku-bateriju **(6)** s prednje strane u podnožje električnog alata sve dok aku-baterija nije sigurno blokirana.

Namještanje smjera okretanja (vidjeti sliku B)

► **Preklopkom smjera rotacije (9) možete pritisnuti samo u stanju mirovanja električnog alata.**

Preklopkom smjera rotacije **(9)** možete promijeniti smjer rotacije električnog alata. Kod pritisnutog prekidača za uključivanje/isključivanje **(10)** to ipak nije moguće.

Okretanje udesno: Za bušenje i uvrtnje vijaka pritisnite preklopkom smjera rotacije **(9)** ulijevo do graničnika.

Okretanje ulijevo: Za otpuštanje odnosno odvrtnje vijaka i matica pritisnite preklopkom smjera rotacije **(9)** udesno do graničnika.

Namještanje načina rada



Bušenje

Prsten za prethodno biranje načina rada **(4)** stavite na simbol „Bušenje“ kako bi se postigao maksimalni zakretni moment za bušenje i uvrtnje vijaka.



Uvrtnje vijaka

Prsten za prethodno biranje načina rada **(4)** stavite na simbol „Uvrtnje vijaka“.

Namjestite prsten za namještanje predbiranja zakretnog momenta **(3)** na željeni zakretni moment.



Udarno bušenje

Prsten za prethodno biranje načina rada **(4)** stavite na simbol „Udarno bušenje“.

Uključivanje/isključivanje

Za **puštanje električnog alata u rad** pritisnite prekidač za uključivanje/isključivanje **(10)** i držite ga pritisnutog.

LED **(8)** svijetli kada se prekidač za uključivanje/isključivanje **(10)** pritisne lagano ili do kraja i omogućava osvjetljenje područja rada u slučaju nepovoljnih uvjeta rasvjeta.

Za **isključivanje** električnog alata otpustite prekidač za uključivanje/isključivanje **(10)**.

LED radno svjetlo s indikatorom statusa



LED radno svjetlo **(8)** upotrebljava se i kao indikator statusa za zaštitu alata i nisko stanje napunjenosti aku-baterije:

LED signal	Opis
Treperi 3x pri radu	Nisko stanje napunjenosti aku-baterije. Aku-baterija je pala ispod optimalne vrijednosti napona. Ograničena je snaga alata.
Treperi 3x nakon zaustavljanja	Zaštita alata je aktivna. Zaštita alata je aktivirana radi zaštite aku-baterije od velike potrošnje struje i alata od oštećenja.

– Ako je nisko stanje napunjenosti aku-baterije, napunite aku-bateriju **(6)** ili zamijenite slabu aku-bateriju potpuno napunjenom aku-baterijom.

Namještanje broja okretaja

Broj okretaja uključenog električnog alata možete bezstupanski regulirati ovisno o tome do kojeg stupnja ste pritisnuli prekidač za uključivanje/isključivanje **(10)**.

Laganim pritiskom na prekidač za uključivanje/isključivanje **(10)** postiže se manji broj okretaja. Jačim pritiskom povećava se broj okretaja.

Prethodno biranje zakretnog momenta (vrijedi za način rada uvrtnje vijaka)

Prstenom za namještanje predbiranja zakretnog momenta **(3)** možete prethodno odabrati potrebni zakretni moment u 20 stupnjeva. Čim se postigne namješteni zakretni moment, radni alat će se zaustaviti.

Mehaničko biranje brzina

► **Prekidač za biranje brzina (5) možete pritisnuti samo u stanju mirovanja električnog alata.**

1. brzina:

Područje manjeg broja okretaja; za rad s velikim promjerom bušenja ili za uvrtnje vijaka.

2. brzina:

Područje većeg broja okretaja; za rad s malim promjerom bušenja.

► **Prekidač za biranje brzina uvijek pomaknite do graničnika.** Električni alat bi se inače mogao oštetiti.

Zaštita od preopterećenja ovisna o temperaturi

Kod namjenske uporabe se električni alat ne može preopteretiti. Kod prevelikog opterećenja ili napuštanja područja dopuštene temperature aku-baterije električni alat se isključuje i treperi LED na električnom alatu. Ostavite električni alat da se ohladi prije nego što nastavite s radom.

Automatska blokada vretena (Auto-Lock)

Ako prekidač za uključivanje/isključivanje **(10)** nije pritisnut, blokira se bušno vreteno, a time i prihvat alata **(1)**.

To omogućava uvrtnje vijaka i kod ispražnjene aku-baterije **(6)** odnosno korištenje električnog alata kao izvijača.

Upute za rad

- ▶ **Električni alat stavite na vijak samo u isključenom stanju.** Rotirajući radni alati mogu kliznuti.

Prije uvrtanja većih, duljih vijaka u tvrde materijale trebate s promjerom jezgre navoja prethodno bušiti na cca. 2/3 duljine vijka.

Za vađenje bita odvijača ili univerzalnog držača ne smijete koristiti pomagala.

Održavanje i servisiranje

Održavanje i čišćenje

- ▶ **Prije svih radova na električnom alatu (npr. održavanje, zamjena alata, itd.) aku-bateriju treba izvaditi iz električnog alata.** Kod nehotečajnog aktiviranja prekidača za uključivanje/isključivanje postoji opasnost od ozljeda.
- ▶ **Održavajte električni alat i ventilacijske proreze čistima kako biste radili dobro i sigurno.**

Servisna služba i savjeti o uporabi

Servisna služba odgovorit će na sva vaša pitanja o popravljanju i održavanju ovog proizvoda te o rezervnim dijelovima. Povećane crteže i informacije o rezervnim dijelovima naći ćete i na adresi: **www.bosch-pt.com** Tim za savjetovanje o primjeni u tvrtki Bosch rado će vam pomoći sa svim pitanjima o našim proizvodima i njihovom priboru.

Za sva pitanja i narudžbe rezervnih dijelova svakako navedite 10-znamenkasti broj artikla naveden na označnoj pločici.

Hrvatski

Robert Bosch d.o.o PT/SHR-BSC
Kneza Branimira 22
10040 Zagreb
Tel.: +385 12 958 051
Fax: +385 12 958 050
E-Mail: RBKN-bsc@hr.bosch.com
www.bosch.hr

Dodatne adrese servisa naći ćete na:

www.bosch-pt.com/serviceaddresses

Transport

Preporučeni litij-ionski akumulatori podliježu zahtjevima zakona o opasnim materijalima. Korisnik može transportirati akumulatore kopnenim putem bez dodatnih uvjeta.

Prilikom slanja posrednicima (npr.: zračnim transportom ili otpremnikom) valja se pridržavati posebnih zahtjeva za ambalažu i označavanje. Pritom prilikom pripremanja pošiljke valja angažirati stručnjaka za opasne materijale. Otpremite akumulatore samo ako kućište nije oštećeno. Obljepite otvorene kontakte i zapakirajte akumulator tako da se ne pomiče u pakiranju. Molimo pridržavajte se i eventualnih dodatnih nacionalnih propisa.

Zbrinjavanje



Električne alate, aku-baterije, pribor i ambalažu treba dovesti na ekološki prihvatljivo recikliranje.



Električni alat i aku-baterije/baterije ne bacajte u kućni otpad!

Samo za zemlje EU:

Neupotrebljivi električni alati i neispravne ili istrošene aku-baterije/baterije moraju se odvojeno zbrinuti. Koristite predviđene sustave prikupljanja otpada.

Ako se otpadna električna i elektronička oprema nepropisno zbrine, to može imati štetne učinke na okoliš i zdravlje ljudi zbog moguće prisutnosti opasnih tvari.

Aku-baterije/baterije:

Litij-ionske:

Pridržavajte se uputa u poglavlju Transport (vidi „Transport“, Stranica 110).

مخصص للاستعمال الخارجي من خطر الصدمات الكهربائية.

- إن لم يكن بالإمكان تجنب تشغيل العدة الكهربائية في الأجواء الرطبة، فاستخدم مفتاح للوقاية من التيار المتخلف. إن استخدام مفتاح للوقاية من التيار المتخلف يقلل خطر الصدمات الكهربائية.

أمان الأشخاص

- كن يقظا وانتبه إلى ما تفعله واستخدم العدة الكهربائية بتعقل. لا تستخدم عدة كهربائية عندما تكون متعبا أو عندما تكون تحت تأثير المخدرات أو الكحول أو الأدوية. عدم الانتباه للحظة واحدة عند استخدام العدة الكهربائية قد يؤدي إلى إصابات خطيرة.
- قم لارتداء تجهيزات الحماية الشخصية. وارتد دائما نظارات واقية. يحد ارتداء تجهيزات الحماية الشخصية، كقناع الوقاية من الغبار وأحذية الأمان الواقية من الانزلاق والوذو أو واقية الأذنين، حسب ظروف استعمال العدة الكهربائية، من خطر الإصابة بجروح.

- تجنب التشغيل بشكل غير مقصود. تأكد من كون العدة الكهربائية مطفأة قبل توصيلها بالتيار الكهربائي و/أو بالمركب، وقبل رفعها أو حملها. إن كنت تضع إصبعك على المفتاح أثناء حمل العدة الكهربائية أو إن وصلت الجهاز بالشبكة الكهربائية بينما لا مفتاح على وضع التشغيل، قد يؤدي إلى وقوع الحوادث.

- انزع أداة الضبط أو مفتاح الربط قبل تشغيل العدة الكهربائية. قد تؤدي الأداة أو المفتاح المتواجد في جزء دوار من الجهاز إلى الإصابة بجروح.

- تجنب أوضاع الجسم غير الطبيعية. قف بأمان وحافظ على توازنك دائما. سيسمح لك ذلك بالتمكّن في الجهاز بشكل أفضل في الموافف الغير متوقعة.

- قم بارتداء ثياب مناسبة. لا ترتد الثياب الفضفاضة أو الحلى. احرص على إبقاء الشعر والملابس بعيدا عن الأجزاء المتحركة. قد تشابك الثياب الفضفاضة والحلى والشعر الطويل بالأجزاء المتحركة.

- إن جاز تركيب تجهيزات شفت وتجميع الغبار، فتأكد من أنها موصولة وبأنه يتم استخدامها بشكل سليم. قد يقلل استخدام تجهيزات لشفت الغبار من المخاطر الناتجة عن الغبار.

- لا تستخدم العدة الكهربائية بلا مبالاة وتتجاهل قواعد الأمان الخاصة بها نتيجة لتعودك على استخدام العدة الكهربائية وكثرة استخدامها. فقد يتسبب الاستخدام دون حرص في حدوث إصابة بالغة تحدث في أجزاء من الثانية.

- حسن معاملة واستخدام العدد الكهربائية لا تفرط بتحميل الجهاز. استخدم لتنفيذ أشغالك العدة الكهربائية المخصصة لذلك. إنك تعمل بشكل أفضل وأكثر أمانا بواسطة العدة الكهربائية الملائمة في مجال الأداء المذكور.
- لا تستخدم العدة الكهربائية إن كان مفتاح تشغيلها تالف. العدة الكهربائية التي لم يعد من

عربي

إرشادات الأمان

الإرشادات العامة للأمان بالعدد الكهربائية

- تحذير** اطلع على كافة تحذيرات الأمان والتعليمات والصور والمواصفات المرفقة بالعدة الكهربائية. عدم اتباع التعليمات الواردة أدناه قد يؤدي إلى حدوث صدمة كهربائية، إلى نشوب حريق و/أو الإصابة بجروح خطيرة.

احتفظ بجميع الملاحظات التحذيرية والتعليمات للمستقبل.

يقصد بمصطلح «العدة الكهربائية» المستخدم في الملاحظات التحذيرية، العدد الكهربائية الموصولة بالشبكة الكهربائية (بواسطة كابل الشبكة الكهربائية) وأيضاً العدد الكهربائية المزودة بمركب (دون كابل الشبكة الكهربائية).

الأمان بمكان الشغل

- حافظ على نظافة مكان شغلك وإضاءته بشكل جيد. الفوضى في مكان الشغل ونطاقات العمل غير المضأة قد تؤدي إلى وقوع الحوادث.
- لا تشتغل بالعدة الكهربائية في نطاق معرض لخطر الانفجار مثل الأماكن التي تتوفر فيه السوائل أو الغازات أو الأبخرة القابلة للاشتعال. العدد الكهربائية تولد شررا قد يتطاير، فيشعل الأبخرة والأبخرة.
- حافظ على بقاء الأطفال وغيرهم من الأشخاص بعيدا عندما تستعمل العدة الكهربائية. تشتيت الانتباه قد يتسبب في فقدان السيطرة على الجهاز.

الأمان الكهربائي

- يجب أن يتلائم قابس العدة الكهربائية مع المقبس. لا يجوز تغيير القابس بأي حال من الأحوال. لا تستعمل القوايس المهينة مع العدد الكهربائية المؤرّضة (ذات طرف أرضي). تخفّض القوايس التي لم يتم تغييرها والمقابس الملائمة من خطر الصدمات الكهربائية.
- تجنب ملامسة جسمك للأسطح المؤرّضة كالأنابيب والمبردات والمواقد أو التلّاجات. يزداد خطر الصدمات الكهربائية عندما يكون جسمك مؤرّض أو موصل بالأرضي.
- أبعد العدة الكهربائية عن الأمطار أو الرطوبة. يزداد خطر الصدمات الكهربائية إن تسرب الماء إلى داخل العدة الكهربائية.
- لا تسيّ استعمال الكابل. لا تستخدم الكابل في حمل العدة الكهربائية أو سحبها أو سحب القابس من المقبس. احرص على إبعاد الكابل عن الحرارة والزيت والحواف الحادة أو الأجزاء المتحركة. تزيد الكابلات التالفة أو المتشابكة من خطر الصدمات الكهربائية.
- عند استخدام العدة الكهربائية خارج المنزل اقتصر على استخدام كابلات التمديد الصالحة للاستعمال الخارجي. يقلل استعمال كابل تمديد

- ذلك. قد يؤدي سائل المركم المتسرب إلى تهيج البشرة أو إلى الاحتراق.
- ◀ لا تستخدم عدة أو مركم تعرضاً لأضرار أو للتعديل. البطاريات المتعرضة لأضرار أو لتعديلات قد ينتج عنها أشياء لا يمكن التنبؤ بها، قد تسبب نشوب حريق أو حدوث انفجار أو إصابات.
- ◀ لا تعرض المركم أو العدة للهب أو لدرجة حرارة زائدة. التعرض للهب أو لدرجة حرارة أعلى من 130 °م قد يتسبب في انفجار.
- ◀ اتبع تعليمات الشحن ولا تقم بشحن المركم أو العدة خارج نطاق درجة الحرارة المحدد في التعليمات. الشحن بشكل غير صحيح أو في درجات حرارة خارج النطاق المحدد قد يعرض المركم لأضرار ويزيد من مخاطر الحريق.

الخدمة

- ◀ احرص على إصلاح عدتك الكهربائية فقط بواسطة العمال المتخصصين وباستعمال قطع الغيار الأصلية فقط. يضمن ذلك المماثلة على أمان الجهاز.
- ◀ لا تقم بإجراء أعمال خدمة على المراكم التالفة. أعمال الخدمة على المراكم يجب أن تقوم بها الجهة الصانعة فقط أو مقدم الخدمة المعتمد.

تحذيرات الأمان للمثاقب

تعليمات الأمان لكافة التطبيقات

- ◀ احرص على ارتداء واقبات السمع أثناء الثقب الطرقي. التعرض للضوضاء الناتجة عن ذلك قد يتسبب في فقدان السمع.
- ◀ أمسك العدة الكهربائية من أسطح المسك المعزولة عند القيام بأعمال قد يترتب عليها ملامسة ملحق القيام أو عناصر التثبيت لأسلاك كهربائية غير ظاهرة. ملامسة ملحق القطع أو أدوات الربط لسلك «مكهرب» قد يتسبب في مرور التيار في الأجزاء المعدنية من العدة وجعلها مكهربة مما قد يصيب المشغل بصدمة كهربائية.

- ◀ تعليمات الأمان عند استخدام ريش ثقب طويلة لا تقم أبداً بالتشغيل بسرعة أعلى من السرعة القصوى المقررة لريشة الثقب. فعلى السرعات العالية ستكون الريشة معرضة للثني في حالة دورانها بشكل حر دون لمس قطعة الشغل، مما قد يؤدي لوقوع إصابات.

- ◀ احرص دائماً على بدء الثقب بسرعة منخفضة بحيث تكون رأس الريشة ملامسة لقطعة الشغل. فعلى السرعات العالية ستكون الريشة معرضة للثني في حالة دورانها بشكل حر دون لمس قطعة الشغل، مما قد يؤدي لوقوع إصابات.
- ◀ لا تضغط إلا على خط واحد مع الريشة، ولا تضغط بشكل زائد. فقد تثني الريش، وتعرض للكسر أو تسبب فقدان السيطرة، مما يؤدي لوقوع إصابات.

إرشادات الأمان الإضافية

- ◀ أوقف العدة الكهربائية على الفور في حالة تعرض عدة الشغل للانحصار. كن مستعداً

- الممكن التحكم بها عن طريق مفتاح التشغيل والإطفاء تعتبر خطيرة ويجب أن يتم إصلاحها.
- ◀ اسحب القابس من المقبس و/أو اخلع المركم، إذا كان قابلاً للخلع، قبل ضبط الجهاز وقبل استبدال الملحقات أو قبل تخزين الجهاز. تمنع هذه الإجراءات وقائية تشغيل العدة الكهربائية بشكل غير مقصود.
- ◀ احتفظ بالعدد الكهربائية التي لا يتم استخدامها بعيداً عن متناول الأطفال. لا تسمح باستخدام العدة الكهربائية لمن لا خبرة له بها أو لمن لم يقرأ تلك التعليمات. العدد الكهربائي خطيرة إن تم استخدامها من قبل أشخاص دون خبرة.
- ◀ اعتن بالعدة الكهربائية والملحقات بشكل جيد. تأكد أن أجزاء الجهاز المتحركة مركبة بشكل سليم وغير مستعصبة عن الحركة، وتفحص ما إن كانت هناك أجزاء مكسورة أو في حالة تؤثر على سلامة أداء العدة الكهربائية. ينبغي إصلاح هذه الأجزاء التالفة قبل إعادة تشغيل الجهاز. الكثير من الحوادث مصدرها العدد الكهربائي التي تتم صيانتها بشكل رديء.

- ◀ احرص على إبقاء عدد القطع نظيفة وحادة. إن عدد القطع ذات حواف القطع المادة التي تم صيانتها بعناية تتكلم بشكل أقل ويمكن توجيهها بشكل أسير.
- ◀ استخدم العدد الكهربائي والتوابع وريش الشغل إلخ. وفقاً لهذه التعليمات. تراعى أثناء ذلك ظروف الشغل والعمل المراد تنفيذه. استخدام العدد الكهربائي لغبر الأشغال المخصصة لأجلها قد يؤدي إلى حدوث الحلات الخطيرة.
- ◀ احرص على إبقاء المقابض وأسطح المسك جافة ونظيفة وخالية من الزيوت والشحوم. المقابض وأسطح المسك الزلقة لا تتبع التشغيل والتحكم الأمان في العدة في المواقف غير المتوقعة.

- ◀ حسن معاملة واستخدام العدد المزودة بمركم اشحن المراكم فقط في أجهزة الشحن التي يُمنع باستخدامها من طرف المنتج. قد يتسبب جهاز الشحن المخصصة لنوع معين من المراكم في خطر الحريق إن تم استخدامه مع نوع آخر من المراكم.

- ◀ استخدم العدد الكهربائي فقط مع المراكم المصممة لهذا الغرض. قد يؤدي استخدام المراكم الأخرى إلى إصابات وإلى خطر نشوب الحرائق.

- ◀ حافظ على إبعاد المركم الذي لا يتم استعماله عن مشابك الورق وقطع النقود المعدنية والمفاتيح والمسامير واللواكب أو غيرها من الأغراض المعدنية الصغيرة التي قد تقوم بتوصيل الملامسين ببعضهما البعض. قد يؤدي تقصير الدائرة الكهربائية بين ملامسي المركم إلى الاحتراق أو إلى اندلاع النار.
- ◀ قد يتسرب السائل من المركم في حالة سوء الاستعمال. تجنب ملامسته. اشطفه بالماء في حال ملامسته بشكل غير مقصود. إن وصل السائل إلى العينين، فراجع الطبيب إضافة إلى

الاستعمال المخصص

لقد خصصت العدة الكهربائية لربط وحلّ اللوالب وأيضاً لتثقيب الخشب والمعادن والخزف واللدائن وللتثقيب المرفق بالطرق في الطوب والجران والصخر.

الأجزاء المصورة

يشير ترقيم الأجزاء المصورة إلى الصورة المعروضة للعدة الكهربائية في صفحة الرسوم.

- (1) حاضن العدة
 - (2) ظرف ريش الثقب سريع الربط
 - (3) حلقة ضبط اختيار عزم الدوران مسبقاً
 - (4) حلقة ضبط اختيار نوع التشغيل مسبقاً
 - (5) مفتاح اختيار ترس السرعة
 - (6) المرمك^(a)
 - (7) زر فك إقفال المرمك^(a)
 - (8) ضوء العمل (LED)
 - (9) مفتاح تمويل اتجاه الدوران
 - (10) مفتاح التشغيل والإطفاء
 - (11) مقبض (سطح قبض معزول)
 - (12) لقمة ربط لوالب^(a)
 - (13) حامل لقم عام^(a)
- (a) إن هذه التوابع ليست محتواة ضمن إطار التوريد الاعتيادي.

البيانات الفنية

المثقاب الدقاق العامل بمرمك		GSB 183-LI	
رقم الصنف	3 601 JK9 1..		
الجهد الاسمي	فلط= 18		
السرعة بدون حمل ^{(A)B}			
- السرعة الأولى	لفة/ دقيقة	440-0	
- السرعة الثانية	لفة/ دقيقة	1650-0	
عزم الدوران الأقصى في حالة ربط لوالب قاسية/ لينة ^{(A)B}	نيوتن متر	56/21	
عدد الطرقات ^{(A)B}	min ⁻¹	24000	
أقصى قطر ثقب			
- الجدران	مم	10	
- فولاذ	مم	10	
- خشب	مم	35	
نطاق شد طرف المثقاب	مم	13	
القطر الأقصى للوالب	مم	10	
الوزن ^(B)	كجم	1,6 (2,0) أمبير ساعة- 2,6 (12,0) أمبير ساعة	

مواجهة عزم رد الفعل العالية، والتي تسبب

صدمة ارتدادية. تنحصر عدة الشغل عندما يتم التعميل بشكل زائد على العدة الكهربائية أو إذا انقمطت في قطعة الشغل التي تعمل عليها.

▶ **أمسك بالعدة الكهربائية بإحكام.** قد تتشكل عزم رد فعل عالية لوهلة قصيرة عند إحكام شد وحلّ اللوالب.

▶ **احرص على تأمين قطعة الشغل.** قطعة الشغل المثبتة بواسطة تجهيزة شدّ أو بواسطة الملزمة مثبتة بأمان أكبر مما لو تم الإمساك بها بواسطة يدك.

▶ **استخدم أجهزة تثقيب ملائمة للثور على خطوط الامداد غير الظاهرة، أو استعن بشركة الامداد المحلية.** ملائمة الفطوط الكهربائية قد تؤدي إلى اندلاع النار وإلى الصدمات الكهربائية. حدوث أضرار بخط الغاز قد يؤدي إلى حدوث انفجارات. اختراق خط الماء يتسبب في وقوع أضرار مادية.

▶ **انتظر إلى أن تتوقف العدة الكهربائية عن الحركة قبل أن تضعها جانباً.** قد تتكلم عدة الشغل فتؤدي إلى فقدان السيطرة على العدة الكهربائية.

▶ **قد تنطلق أبخرة عند تلف المرمك واستخدامه بطريقة غير ملائمة.** يمكن أن يحترق المرمك أو يتعرض للانفجار. أمن توفر الهواء النقي وراجع الطبيب إن شعرت بشكوى. قد تهيج هذه الأبخرة المجاري التنفسية.

▶ **لا تقم بتعديل المرمك أو فتحه.** يتشكل خطر حدوث قفلة كهربائية.

▶ **يمكن أن يتعرض المرمك لأضرار من خلال الأشياء المدببة مثل المسامير والمفكات أو من خلال تأثير القوى الخارجية.** وقد يؤدي هذا إلى تقصير الدائرة الكهربائية الداخلية واحترق المرمك أو خروج الأبخرة منه أو انفجاره وتعرضه لسخونة مفرطة.

▶ **اقتصر على استخدام المرمك في منتجات الجهة الصانعة.** يتم حماية المرمك من فرط التعميل الخطير بهذه الطريقة فقط دون غيرها.

احرص على حماية المرمك من الحرارة، بما ذلك التعرض لأشعة الشمس باستمرار ومن النار والاتساخ والماء والرطوبة. حيث ينشأ خطر الانفجار وخطر حدوث دائرة قصر.



وصف المنتج والأداء

اقرأ جميع إرشادات الأمان والتعليمات. ارتكاب الأخطاء عند تطبيق إرشادات الأمان والتعليمات، قد يؤدي إلى حدوث صدمات الكهربائية أو إلى نشوب الحرائق و/أو الإصابة بجروح خطيرة.

يرجى الرجوع إلى الصور الموجودة في الجزء الأول من دليل التشغيل.



لفعل المرمك (6) اضغط على زر فك الإقفال (7) واجذب المرمك من العدة الكهربائية من الجانب. لا تستخدم القوة أثناء ذلك.

استبدال العدد (انظر الصورة A)

◀ أخرج المرمك من العدة الكهربائية قبل إجراء أي أعمال على العدة الكهربائية (على سبيل المثال الصيانة، واستبدال العدد، وما شابه).

هناك خطر إصابة بجروح في حالة الضغط على مفتاح التشغيل والإطفاء بشكل غير مقصود.

عند عدم الضغط على مفتاح التشغيل والإطفاء (10) يتم تثبيت محور دوران المثقاب. يسمح ذلك باستبدال عدة الشغل بطرف المثقاب بشكل سريع ومريح وبسيط.

افتح ظرف ريش الثقب سريع الربط (2) من خلال إدارته في اتجاه دوران ①، إلى أن تتمكن من تقييم العدة. قم بتثبيت العدة.

أغلق جلبة ظرف ريش الثقب سريع الربط (2) بإدارتها في الاتجاه ② يدويا بقوة. يتم تأمين قفل ظرف ريش الثقب بذلك أوتوماتيكيا.

شفط الغبار/النشارة

إن أغبرة بعض المواد كالمطاط الذي يحتوي على الرصاص، وبعض أنواع الخشب والفلزات والمعادن، قد تكون مضرّة بالصحة. إن ملامسة أو استنشاق الأغبرة قد يؤدي إلى ردود فعل زائدة الحساسية و/أو إلى أمراض المجاري التنفسية لدى المستخدم أو لدى الأشخاص المتواجدين على مقربة من المكان. تعتبر بعض الأغبرة المعينة، كأغبرة البلوط والزان من مسببات السرطان، وبالأخص عند اتصالها بالمواد الإضافية الخاصة بمعالجة الخشب (ملع حامض الكروميك، المواد الحافظة للخشب). يجوز أن يتم معالجة المواد التي تحتوي على الأسبستوس من قبل العمال المتخصصين فقط دون غيرهم.

- حافظ على تهوية مكان الشغل بشكل جيد.
- ينصح بارتداء قناع وقاية للتنفس من فئة المرشح P2.

تراجع الأحكام السارية في بلدكم بالنسبة للمواد المرغوب معالجتها.

◀ تجنب تراكم الغبار بمكان العمل. يجوز أن تشتعل الأغبرة بسهولة.

التشغيل

بدء التشغيل

تركيب المرمك

إرشاد: استخدام المراكم غير المناسبة لعدتك الكهربائية يمكن أن يؤدي إلى حدوث اختلالات وظيفية أو إلى إلحاق الضرر بالعدة الكهربائية.

أدخل المرمك المشحون (6) إلى قاعدة العدة الكهربائية من الأمام إلى أن يتم تأمين قفل المرمك.

ضبط اتجاه الدوران (انظر الصورة B)

◀ لا تضغط على مفتاح تحويل اتجاه الدوران (9) إلا والعدة الكهربائية متوقفة.

المثقاب الدقاق العامل بالمرمك	GSB 183-LI	
درجة الحرارة المحيطة الموصى بها عند الشحن	35+ ... 0	°م
درجة الحرارة المحيطة المسموح به عند التشغيل ^(C) وعند التخزين	50+ ... 20-	°م
المراكم الموصى بها	GBA 18V... ProCORE18V...	
أجهزة الشحن الموصى بها	GAL 18... GAX 18... GAL 36...	
(A) مقاسة عند درجة حرارة 20-25 °م مع مرمك GBA 18V 2.0Ah		

(B) حسب المرمك المستخدم

(C) قدرة محدودة في درجات الحرارة > 0 °م

قد تختلف القيم حسب المنتج وظروف الاستخدام والبيئة. المزيد من المعلومات على موقع الإنترنت www.bosch-professional.com/wac.

التركيب

◀ أخرج المرمك من العدة الكهربائية قبل إجراء أي أعمال على العدة الكهربائية (على سبيل المثال الصيانة، واستبدال العدد، وما شابه). هناك خطر إصابة بجروح في حالة الضغط على مفتاح التشغيل والإطفاء بشكل غير مقصود.

شحن المرمك

◀ اقتصر على استخدام أجهزة الشحن المذكورة في المواصفات الفنية. أجهزة الشحن هذه دون غيرها هي المتوائمة مع مرمك أيونات الليثيوم المستخدم في عدتك الكهربائية.

ملحوظة: يتم تسليم المرمك وهو بحالة شحن جزئي. لضمان قدرة أداء المرمك الكاملة، يتوجب شحن المرمك في تجهيزة الشحن بشكل كامل قبل الاستعمال لأول مرة.

يمكن أن يتم شحن مرمك أيونات الليثيوم في أي وقت، دون أن يقلل ذلك من فترة صلاحيته. لا يتسبب قطع عملية الشحن في الإضرار بالمرمك. لقد تمّ وقاية مرمك أيونات الليثيوم من التفرغ الشديد بواسطة واقية الخلايا الإلكترونية، "Electronic Cell Protection (ECP)". يتم إطفاء العدة الكهربائية بواسطة قارئة وقائية عندما يفرغ المرمك؛ لن تتحرك عدة الشغل عندئذ.

◀ لا تتابع الضغط على مفتاح التشغيل والإطفاء بعد انطفاء العدة الكهربائية بشكل آلي. فقد يتلف المرمك.

تراجع الملاحظات بصدد التخلص من العدد.

نزع المرمك

يمتاز المرمك (6) بدرجتَي إقفال اثنتين والتي عليها أن تمنع سقوط المرمك للخارج في حال ضغط زر فك إقفال المرمك بشكل غير مقصود (7). يتم تثبيت المرمك بواسطة نابض مادام مركبا في العدة الكهربائية.

ضبط عدد الدوران

يمكنك أن تتحكم بعدد دوران العدة الكهربائية قيد التشغيل دون تدريج، حسب مدى الضغط على مفتاح التشغيل والإطفاء (10).

يؤدي الضغط الخفيف على مفتاح التشغيل والإطفاء (10) إلى عدد لفات منخفض. يزداد عدد اللفات بزيادة الضغط.

الاختيار المسبق لعزم الدوران (يسري على نوع التشغيل ربط اللوالب)

تسمح لك حلقة ضبط اختيار عزم الدوران مسبقاً (3) بضبط عزم الدوران المطلوب على 20 درجة بشكل مسبق. بمجرد الوصول إلى عزم الدوران المضبوط يتم إيقاف عدة الشغل.

اختيار ترس السرعة ميكانيكيًا

◀ اضبط مفتاح اختيار ترس السرعة (5) فقط عندما تكون العدة الكهربائية متوقفة عن الحركة.

السرعة الأولى:

مجال عدد دوران منخفض، للشغل بقطر تثقيب كبير أو لربط اللوالب.

السرعة الثانية:

مجال عدد لفات مرتفع للعلم بقطر ثقب صغير.

◀ ادفع مفتاح اختيار ترس السرعة دائماً إلى حد التصادم. وإلا، فقد تتعرض العدة الكهربائية للضرر.

وسيلة الحماية من التحميل الزائد المرتبطة بدرجة الحرارة

في الاستعمال المطابق للتعليمات لا يمكن تعريض العدة الكهربائية للتحميل الزائد. وفي حالة التحميل الشديد أو الخروج عن النطاق المسموح به لدرجة حرارة البطارية تتوقف العدة الكهربائية عن العمل وتومض لمبة LED الموجودة بالعدة الكهربائية. اترك العدة الكهربائية لتبرد قبل مواصلة العمل.

(تلقائي قفل) تثبيت آلي كامل لمحور الدوران

عندما يكون مفتاح التشغيل والإطفاء (10) غير مضغوط يتم تثبيت محور دوران المثقاب وبالتالي حاضن العدة (1). ويسمى ذلك بربط اللوالب حتى لو كان المرمك فراغاً (6) أو باستخدام العدة الكهربائية بمثابة مفك براغي اعتيادي.

إرشادات العمل

◀ ضع العدة الكهربائية على اللولب فقط عندما تكون مطفاة. فقد تنزلق عدد الشغل الدوارة.

قبل ربط اللوالب الكبيرة الطويلة في الخيامات القاسية، ينصح بإجراء ثقب تمهيدي بقطر لبّ اللولب وبمقدار 2/3 طول اللولب.

لفك لقمة مفك البراغي أو حامل اللقم العام يجوز استخدام أداة مساعدة.

يمكنك أن تغير اتجاه دوران العدة الكهربائية (9) بواسطة مفتاح تغيير اتجاه الدوران. إلا أنه لا يمكن تغييره عندما يكون مفتاح التشغيل والإطفاء (10) مضغوطاً.

دوران يميني: للثقب ولربط اللوالب، اضغط على مفتاح تحويل اتجاه الدوران (9) إلى اليسار حتى النهاية.

دوران إلى اليسار: لحل أو فك اللوالب والصواميل اضغط مفتاح تغيير اتجاه الدوران (9) إلى اليمين حتى المصد.

ضبط نوع التشغيل

الثقب



اضبط طارة ضبط الاختيار المسبق لنوع التشغيل (4) على رمز «الثقب»، للوصول إلى عزم الدوران الأقصى للثقب وربط اللوالب.

ربط اللوالب



اضبط طارة ضبط الاختيار المسبق لنوع التشغيل (4) رمز «ربط اللوالب».

اضبط طارة ضبط الاختيار المسبق لعزم الدوران (3) على عزم الدوران المرغوب.

الثقب المرفق بالطرق



اضبط حلقة ضبط الاختيار المسبق لنوع التشغيل (4) على الرمز «الثقب المرفق بالطرق».

التشغيل والإطفاء

لغرض تشغيل العدة الكهربائية اضغط على مفتاح التشغيل والإطفاء (10) وحافظ على إبقائه مضغوطاً. يضيء المصباح (8) LED عند الضغط على مفتاح التشغيل والإطفاء (10) بشكل جزئي أو كامل ويسمح بإضاءة مكان الشغل إن كانت ظروف الإضاءة غير ملائمة.

لغرض إطفاء العدة الكهربائية اترك مفتاح التشغيل والإطفاء (10).

ضوء العمل LED مع مبین الحالة

يُستخدم ضوء العمل LED (8) كمبین حالة لحماية الجهاز، وليبان انخفاض مستوى شحن المرمك:



استجابة ضوء الشرح LED

ضوء وماض 3 مرات عند التشغيل	انخفاض مستوى شحن المرمك. انخفاض جهد المرمك عن القيمة المثالية للجهد. قدرة الجهاز مقيدة.
ضوء وماض 3 مرات بعد التوقف	وظيفة حماية الجهاز فعالة. يتم تفعيل وظيفة حماية الجهاز لحماية المرمك من ارتفاع استهلاك التيار، وحماية الجهاز من الأضرار.

– إذا انخفض مستوى شحن المرمك فقم بشحنه (6) أو قم باستبدال المرمك الضعيف بمرمك مشحون بشكل كامل.

يرجى مراعاة الإرشادات الواردة في جزء النقل (انظر „النقل“، الصفحة 116).

الصيانة والخدمة

الصيانة والتنظيف

- ◀ أخرج المرمك من العدة الكهربائية قبل إجراء أي أعمال على العدة الكهربائية (على سبيل المثال الصيانة، واستبدال العدد، وما شابه). هناك خطر إصابة بجروح في حالة الضغط على مفتاح التشغيل والإطفاء بشكل غير مقصود.
- ◀ حافظ على نظافة العدة الكهربائية وشقوق التهوية لكي تعمل بشكل جيد وآمن.

خدمة العملاء واستشارات الاستخدام

يجب مركز خدمة الزبائن على أسئلتكم بصدد تصليح وصيانة المنتج وأيضا بما يخص قطع الغيار. ستجد الرسوم الممددة والمعلومات عن قطع الغيار بموقع: www.bosch-pt.com يسر فريق استشارات الاستخدام لدى شركة بوش أن يقدم لك العون إذا كان لديك أية استفسارات بخصوص منتجاتنا وملحقاتها التكميلية. يلزم ذكر رقم الصنف ذو الخانات العشر وفقا للوحة صنع المنتج عند إرسال أية استفسارات أو طلبيات قطع غيار.

المغرب

Robert Bosch Morocco SARL
53، شارع الملازم محمد مرود
20300 الدار البيضاء
الهاتف: +212 5 29 31 43 27
البريد الإلكتروني: sav.outillage@ma.bosch.com

تجد عناوين أخرى للخدمات تحت:
www.bosch-pt.com/serviceaddresses

النقل

تخضع مراكم أيونات الليثيوم المنصوح بها لأحكام قانون المواد الخطرة. يمكن للمستخدم أن ينقلها على الشوارع العامة دون أي شروط إضافية. عند النقل بواسطة أطراف ثالثة (مثلاً: الشحن الجوي أو شركة شحن)، يتوجب التقيد بشروط خاصة بصدد التغليف والتعليم. ينبغي استشارة خبير بنقل المواد الخطيرة عند تحضير الطرد في هذه الحالة. استخدم المراكم فقط إن كان هيكلا سليم. الصق الملامسات المكشوفة وغلف المرمك بحيث لا يتحرك في الطرد. يرجى مراعاة الأحكام الوطنية الإضافية إن وجدت.

التخلص من العدة الكهربائية

يجب التخلص من العدة الكهربائية والمركم والتوابع والتغليف بطريقة صديقة للبيئة عن طريق النفايات القابلة لإعادة التصنيع.

لا تلق العدد الكهربائية والمراكم/البطاريات ضمن النفايات المنزلية!



المراكم/البطاريات:
مراكم أيونات الليثيوم:

مناسب برای محیط باز، خطر برق گرفتگی را کم می کنند.

◀ در صورت لزوم کار با ابزار برقی در محیط و اماکن مرطوب، باید از یک کلید حفاظتی جریان خطا و نشستی زمین (کلید قطع کننده اتصال با زمین) استفاده کنید. استفاده از کلید حفاظتی جریان خطا و نشستی زمین خطر برق گرفتگی را کاهش می دهد.

رعایت ایمنی اشخاص

◀ حواس خود را خوب جمع کنید، به کار خود دقت کنید و با فکر و هوشیاری کامل با ابزار برقی کار کنید. در صورت خستگی و یا در صورتی که مواد مخدر، الکل و دارو استفاده کرده‌اید، با ابزار برقی کار نکنید. یک لحظه بی توجهی هنگام کار با ابزار برقی، میتواند جراحات های شدیدی به همراه داشته باشد.

◀ از تجهیزات ایمنی شخصی استفاده کنید. همواره از عینک ایمنی استفاده نمایید. استفاده از تجهیزات ایمنی مانند ماسک ضد گرد و غبار، کفشهای ایمنی ضد لغزش، کلاه ایمنی و گوشی محافظ متناسب با نوع کار با ابزار برقی، خطر مجروح شدن را کاهش میدهد.

◀ مواظب باشید که ابزار برقی بطور ناخواسته بکار نیفتد. قبل از وارد کردن دوشاخه دستگاه در پریز برق، اتصال آن به باتری، برداشتن آن و یا حمل دستگاه، باید دقت کنید که ابزار برقی خاموش باشد. در صورتی که هنگام حمل دستگاه انگشت شما روی دکمه قطع و وصل باشد و یا دستگاه را در حالت روشن به برق بزنید، ممکن است سوانح کاری پیش آید.

◀ قبل از روشن کردن ابزار برقی، همه ابزارهای تنظیم کننده و آچارها را از روی دستگاه بردارید. ابزار و آچارهایی که روی بخش های چرخنده دستگاه قرار دارند، میتوانند باعث ایجاد جراحات شوند.

◀ وضعیت بدن شما باید در حالت عادی قرار داشته باشد. برای کار جای مطمئنی برای خود انتخاب کرده و تعادل خود را همواره حفظ کنید. به این ترتیب میتوانید ابزار برقی را در وضعیتهای غیر منظره بهتر تحت کنترل داشته باشید.

◀ لباس مناسب بپوشید. از پوشیدن لباسهای گشاد و حمل زینت آلات خودداری کنید. موها و لباس خود را از بخشهای در حال چرخش دستگاه دور نگه دارید. لباسهای گشاد، موی بلند و زینت آلات ممکن است در قسمتهای در حال چرخش دستگاه گیر کنند.

◀ در صورتی که تجهیزاتی برای اتصال وسائل مکش گرد و غبار و یا وسیله جمع کننده گرد و غبار ارائه شده است، باید مطمئن شوید که این وسائل درست نصب و استفاده می شوند. استفاده از وسائل مکش گرد و غبار مصونیت شما را در برابر گرد و غبار زیاده تر میکند.

◀ آشنایی با ابزار به دلیل کار کردن زیاد با آن نباید باعث سهل انگاری شما و نادیده گرفتن اصول ایمنی شود. بی دقتی ممکن است باعث بروز جراحاتی در عرض کسری از ثانیه شود.

فارسی

دستورات ایمنی

نکات ایمنی عمومی برای ابزارهای برقی

⚠ هشدار کلیه هشدارها، دستورالعملها، تصاویر و مشخصات ارائه شده به همراه ابزار برقی را مطالعه کنید. اشتباهات ناشی از عدم رعایت این دستورات ایمنی ممکن است باعث برق گرفتگی، سوختگی و یا سایر جراحات های شدید شود. کلیه هشدارهای ایمنی و راهنماییها را برای آینده خوب نگهداری کنید.

عبارت «ابزار برقی» در هشدارها به ابزارهایی که به پریز برق متصل میشوند (با سیم برق) و یا ابزارهای برقی باتری دار (بدون سیم برق) اشاره دارد.

ایمنی محل کار

◀ محیط کار را تمیز و روشن نگه دارید. محیطهای در هم ریخته یا تاریک احتمال بروز حادثه را افزایش میدهند.

◀ ابزار برقی را در محیطهایی که خطر انفجار وجود دارد و حاوی مایعات، گازها و بخارهای متحرکه هستند، به کار نگیرید. ابزارهای برقی چرخههایی ایجاد میکنند که میتوانند باعث آتش گرفتن گرد و غبارهای موجود در هوا شوند.

◀ هنگام کار با ابزار برقی، کودکان و سایر افراد را از دستگاه دور نگه دارید. در صورتیکه حواس شما پرت شود، ممکن است کنترل دستگاه از دست شما خارج شود.

ایمنی الکتریکی

◀ دوشاخه ابزار برقی باید با پریز برق تناسب داشته باشد. هیچگونه تغییری در دوشاخه ایجاد نکنید. مبدل دوشاخه نباید همراه با ابزار برقی دارای اتصال زمین استفاده شود. دوشاخههای اصل و تغییر داده نشده و پریزهای مناسب، خطر برق گرفتگی را کاهش میدهند.

◀ از تماس بدنی با قطعات متصل به سیم اتصال زمین مانند لوله، شوفاژ، اجاق برقی و یخچال خودداری کنید. در صورت تماس بدنی با سطوح و قطعات دارای اتصال به زمین و همچنین تماس شما با زمین، خطر برق گرفتگی افزایش می یابد.

◀ ابزارهای برقی را در معرض باران و رطوبت قرار ندهید. نفوذ آب به ابزار برقی، خطر شوک الکتریکی را افزایش میدهد.

◀ از سیم دستگاه برای مقاصد دیگر استفاده نکنید. هرگز برای حمل ابزار برقی، کشیدن آن یا خارج کردن دوشاخه از سیم دستگاه استفاده نکنید. کابل دستگاه را از حرارت، روغن، لپه‌های تیز یا قطعات متحرک دور نگه دارید. کابلهای آسیب دیده و یا گره خورده خطر شوک الکتریکی را افزایش میدهند.

◀ هنگام استفاده از ابزار برقی در محیطهای باز، تنها از کابل رابطی استفاده کنید که برای محیط باز نیز مناسب باشد. کابل های رابط

- شوند. ایجاد اتصالی بین دو قطب باتری (ترمینالهای باتری) میتواند باعث سوختگی و ایجاد حریق شود.
- استفاده بی رویه از باتری میتواند باعث خروج مایعات از آن شود؛ از هر گونه تماس با این مایعات خودداری کنید. در صورت تماس اتفاقی با آن، دست خود و یا محل تماس را با آب بشوئید. در صورت آلوده شدن چشم با این مایع، باید به پزشک مراجعه کنید. مایع خارج شده از باتری میتواند باعث التهاب پوست و سوختگی شود.
- هرگز از باتری یا ابزار آسیب دیده یا دست کاری شده استفاده نکنید. باتریهای آسیب دیده ممکن است کارکرد غیر منتظرهای داشته باشند و منجر به آتش سوزی، انفجار یا جراحت شوند.
- باتری یا ابزار را در معرض آتش یا دمای زیاد قرار ندهید. قرار گرفتن در معرض آتش یا دمای بالاتر از 130 درجه سانتیگراد میتواند باعث انفجار شود.
- همه راهنماییهای مربوط به شارژ را رعایت کنید و باتری یا ابزار را خارج از محدوده دمای تعریف شده در دستورات شارژ نکنید. شارژ کردن نادرست یا در دمای خارج از محدوده تعریف شده ممکن است به باتری صدمه بزند و خطر آتش سوزی را افزایش دهد.
- سرویس**
- برای تعمیر ابزار برقی فقط به متخصصین حرفهای رجوع کنید و از قطعات یدکی اصل استفاده نمایید. این باعث خواهد شد که ایمنی دستگاه شما تضمین گردد.
- هرگز باتریهای آسیب دیده را تعمیر نکنید. باتری باید تنها توسط متخصصین مجاز شرکت تعمیر شوند.
- هشدارهای ایمنی برای دریلها**
- دستورالعملهای ایمنی برای انواع عملیات**
- هنگام کار با دریل ضربهای از گوشی ایمنی استفاده کنید. قرار گرفتن در معرض سر و صدا، میتواند به شنوایی آسیب برساند.
- چنانچه هنگام انجام کار، امکان تماس متعلقات برش یا بستها با سیمهای برق غیر قابل رؤیت وجود داشته باشد، باید ابزار برقی را از محل دستگیره و سطوح عایق آن بگیریید. تماس متعلقات برش یا بستها با سیم حامل جریان برق، میتواند جریان برق را به بخشهای فلزی دستگاه نیز انتقال دهد و باعث برق گرفتگی شود.
- دستورالعملهای ایمنی برای هنگام استفاده از متنهاى بلند**
- هرگز دستگاه را با سرعت بیشتر از حداکثر سرعت مجاز مته به کار نگیرید. در سرعتهای بالاتر، ممکن است مته هنگام چرخش در حالت آزاد و بدون تماس با قطعه کار کج شود و باعث وارد آمدن جراحت گردد.

- استفاده صحیح از ابزار برقی و مراقبت از آن**
- از وارد کردن فشار زیاد روی دستگاه خودداری کنید. برای هر کاری، از ابزار برقی مناسب با آن استفاده کنید. بکار گرفتن ابزار برقی مناسب باعث میشود که بتوانید از توان دستگاه بهتر و با اطمینان بیشتر استفاده کنید.
- در صورت ایراد در کلید قطع و وصل ابزار برقی، از دستگاه استفاده نکنید. ابزار برقی که نمی توان آنها را قطع و وصل کرد، خطرناک بوده و باید تعمیر شوند.
- قبل از تنظیم ابزار برقی، تعویض متعلقات و یا کنار گذاشتن آن، دوشاخه را از برق بکشید و یا باتری آنرا خارج کنید. رعایت این اقدامات پیشگیری ایمنی از راه افتادن ناخواسته ابزار برقی جلوگیری می کند.
- ابزار برقی را در صورت عدم استفاده، از دسترس کودکان دور نگه دارید و اجازه ندهید که افراد ناوارد و یا اشخاصی که این دفترچه راهنما را نخواندهاند، با این دستگاه کار کنند. قرار گرفتن ابزار برقی در دست افراد ناوارد و بی تجربه خطرناک است.
- از ابزار برقی و متعلقات خوب مراقبت کنید. مواظب باشید که قسمت های متحرک دستگاه خوب کار کرده و گیر نکنند. همچنین دقت کنید که قطعات ابزار برقی شکسته و یا آسیب دیده نباشند. قطعات آسیب دیده را قبل از شروع به کار تعمیر کنید. علت بسیاری از سوانح کاری، عدم مراقبت کامل از ابزارهای برقی می باشد.
- ابزار برش را تیز و تمیز نگه دارید. ابزار برشی که خوب مراقبت شده و از لبه های تیز برخوردار است، کمتر در قطعه کار گیر کرده و بهتر قابل هدایت است.
- ابزار برقی، متعلقات، متنهاى دستگاه و غیره را مطابق دستورات این جزوه راهنما به کار گیرید و به شرایط کاری و نوع کار نیز توجه داشته باشید. استفاده از ابزار برقی برای عملیاتی به جز مقاصد در نظر گرفته شده، میتواند به بروز شرایط خطرناک منجر شود.
- دستها و سطوح عایق را همواره خشک، تمیز و عاری از روغن و گریس نگه دارید. دسته های لغزنده مانع ایمنی و کنترل در کار در شرایط غیر منتظره هستند.
- مراقبت و طرز استفاده از ابزارهای شارژی**
- باتریها را منحصراً توسط شارژرهایی که توسط سازنده توصیه شدهاند، شارژ کنید. در صورتی که برای شارژ باتری، آنرا در شارژری قرار دهید که برای آن باتری ساخته نشده است، خطر آتش سوزی وجود دارد.
- در ابزارهای برقی فقط از باتریهایی استفاده کنید که برای آن نوع ابزار برقی در نظر گرفته شدهاند. استفاده از باتریهای مترقیه میتواند منجر به بروز جراحت و حریق گردد.
- در صورت عدم استفاده از باتری باید آنرا از گیره های فلزی، سکه، کلید، میخ، پیچ و دیگر وسائل کوچک فلزی دور نگه دارید، زیرا این وسائل ممکن است باعث ایجاد اتصالی

باتری را در برابر حرارت، از جمله در برابر تابش مداوم خورشید و همچنین در برابر آتش، آلودگی، آب و رطوبت محفوظ بدارید. خطر اتصالی و انفجار وجود دارد.



توضیحات محصول و کارکرد

همه دستورات ایمنی و راهنماییها را بخوانید. اشتباهات ناشی از عدم رعایت این دستورات ایمنی ممکن است باعث برفگرفتگی، سوختگی و یا سایر جراحات های شدید شود.



به تصویرهای واقع در بخشهای اول دفترچه راهنما توجه کنید.

موارد استفاده از دستگاه

این ابزار برقی برای بستن و باز کردن پیچ ها و همچنین برای سوراخ کاری در چوب، فلز، سرامیک و پلاستیک و برای سوراخ کاری چکشی در آجر، ساختار آجری و سنگ مناسب است.

تصاویر اجزاء دستگاه

شماره گذاری تصاویر اجزاء دستگاه بر اساس شکل ابزار برقی در صفحه تصاویر است.

- (1) ابزارگیر
- (2) سه نظام اتوماتیک
- (3) حلقه تنظیم انتخاب گشتاور
- (4) حلقه تنظیم انتخاب نوع کار
- (5) کلید انتخاب سرعت
- (6) باتری قابل شارژ^(a)
- (7) دکمه آزادسازی باتری قابل شارژ^(a)
- (8) چراغ کار (LED)
- (9) کلید تغییر جهت چرخش
- (10) کلید روشن/خاموش
- (11) دسته (دارای روکش عایق)
- (12) سر پیچ گوشتی^(a)
- (13) نگهدارنده عمومی مته^(a)

(a) این قسمت از متعلقات، بطور معمول همراه دستگاه ارائه نمی شود.

مشخصات فنی

دستگاه سوراخ کاری		چکشی شارژی	
GSB 183-LI			
3601 JK9 1..		شماره فنی	
18	V=	ولتاژ نامی	
سرعت در حالت آزاد ^{(A)B}			
0-440	min ⁻¹	سرعت 1	
0-1650	min ⁻¹	سرعت 2	
56/21	Nm	حداکثر گشتاور پیچ کاری	
سخت/نرم ^{(A)B}			
24000	min ⁻¹	تعداد ضربه ^{(A)B}	

دریل کاری را همیشه هنگامی که مته با قطعه کار در تماس است و با سرعت پایین آغاز کنید. در سرعتهای بالاتر، ممکن است مته هنگام چرخش در حالت آزاد و بدون تماس با قطعه کار کج شود و باعث وارد آمدن جراحت گردد.

فشار را فقط هم راستا با مته وارد کنید و از وارد کردن فشار زیاد خودداری نمایید. ممکن است مته کج شود و باعث ایجاد شکستگی یا از دست رفتن کنترل و در نتیجه وارد آمدن جراحت گردد.

سایر راهنمایی های ایمنی

در صورت بلوکه شدن ابزار برقی، آن را خاموش کنید. نسبت به عکسالعملهای شدیدی که منجر به ضربه برگشتی می شوند، آمادگی داشته باشید. چنانچه فشار زیادی به ابزار برقی وارد شود یا در قطعکار گیر کند، ابزار برقی بلوکه می شود.

ابزار برقی را محکم بگیرید. هنگام سفت و باز کردن پیچها ممکن است گشتاورهای بازگشتی بالایی به طور موقت ایجاد شوند.

قطعه کار را محکم کنید. در صورتیکه قطعه کار به وسیله تجهیزات نگهدارنده و یا بوسیله گیره محکم شده باشد، قطعه کار مطمئن تر نگه داشته میشود، تا اینکه بوسیله دست نگهداشته شود.

برای پیدا کردن لوله ها و سیم های پنهان موجود در ساختمان و محدوده کار، از یک دستگاه ردیاب مخصوص برای یافتن لوله ها و سیمهای تأسیسات استفاده کنید و یا با شرکت های کارهای تأسیسات ساختمان و خدمات مربوطه تماس بگیرید. تماس با کابل و سیمهای برق ممکن است باعث آتشسوزی و یا برق گرفتگی شود. ایراد و آسیب دیدگی لوله گاز میتواند باعث انفجار شود. سوراخ شدن لوله آب باعث ایجاد خسارت میشود.

قبل از کنار گذاشتن ابزار برقی صبر کنید تا دستگاه بطور کامل از کار و حرکت بایستد. ابزار ممکن است به قطعه کار گیر کرده و کنترل ابزار برقی از دست شما خارج شود.

در صورتیکه باتری آسیب دیده باشد و یا از آن بطور بی رویه استفاده شود، ممکن است از باتری بخارهایی بلند شود. باتری ممکن است آتش بگیرد یا منفجر شود. در این حالت هوای محیط را تازه کنید؛ اگر احساس ناراحتی کردید، به پزشک مراجعه نمایید. استنشاق این بخارها ممکن است به مجاری تنفسی شما آسیب برساند.

باتری قابل شارژ را تغییر و باز نکنید. خطر اتصال کوتاه وجود دارد.

بوسیله ی اشیاء تیز مانند میخ یا پیچگوشتی یا تأثیر نیروی خارجی ممکن است باتری آسیب ببیند. ممکن است اتصال داخلی رخ دهد و باتری آتش گیرد، دود کند، منفجر شود یا بیش از حد داغ گردد.

از باتری قابل شارژ فقط در محصولات سازنده استفاده کنید. فقط در این صورت از باتری در برابر بار اضافی خطرناک محافظت می شود.

◀ **پس از خاموش شدن اتوماتیک ابزار برقی، از فشار دادن مجدد کلید قطع و وصل خودداری کنید.** این میتواند باعث آسیب دیدن باتری شود.

به نکات مربوط به نحوه از رده خارج کردن باتری توجه کنید.

نحوه برداشتن باتری

باتری (6) دارای دو مرحله قفل میباشد که این قفلها مانع بیرون افتادن باتری در اثر فشار ناخواسته بر روی دکمه آزاد کننده قفل (7) میشوند. تا زمانی که باتری در داخل ابزار برقی قرار داشته باشد، آن باتری توسط یک فنر در حالت مناسب نگهداری میشود.

برای برداشتن و خارج کردن باتری (6) دکمه آزادسازی باتری (7) را فشار دهید و باتری را از داخل ابزار برقی خارج کنید. **هنگام انجام این کار از اعمال فشار خودداری کنید.**

تعویض ابزار (رجوع کنید به تصویر A)

◀ **قبل از انجام هر گونه کاری با ابزار برقی (از جمله سرویس و نگهداری، تعویض ابزار و غیره)، باتری قابل شارژ را از داخل ابزار برقی خارج کنید.** در صورت فشردن شدن اتفاقی کلید روشن/خاموش، خطر آسیب دیدگی وجود دارد.

در صورت فشردن نبودن کلید قطع و وصل (10) محور دریل قفل می شود. این امر باعث تعویض آسان و سریع ابزار و متعلقات سه نظام میشود. سه نظام سریع (2) را با چرخاندن در جهت 1 باز کنید تا ابزار قرارگیرد. ابزار را جا گذاری کنید. بوش نگهدارنده سه نظام مهار سریع (2) را محکم با دست در جهت 2 بچرخانید. اینگونه سه نظام به طور اتوماتیک قفل می شود.

مکش گرد، براده و تراشه

گرد و غبار موادی مانند رنگ های دارای سرب، بعضی از چوب ها، مواد معدنی و فلزات میتوانند برای سلامتی مضر باشند. دست زدن و یا تنفس کردن گرد و غبار ممکن است باعث بروز آلرژی و یا بیماری مجاری تنفسی شخص استفاده کننده و یا افرادی که در آن نزدیکی میباشند، بشود.

گرد و غبارهای مخصوصی مانند گرد و غبار درخت بلوط و یا درخت راش سرطان زا هستند، بخصوص ترکیب آنها با سایر موادی که برای کار بر روی چوب (کرومات، مواد برای محافظت از چوب) بکار برده میشوند. فقط افراد متخصص مجازند با موادی که دارای آزیست میباشند کار کنند.

- توجه داشته باشید که محل کار شما از تهویه هوای کافی برخوردار باشد.
- توصیه میشود از ماسک تنفسی ایمنی با درجه فیلتر P2 استفاده کنید.

به قوانین و مقررات معتبر در کشور خود در رابطه با استفاده از مواد و قطعات کاری توجه کنید.

◀ **از تجمع گرد و غبار در محل کار جلوگیری کنید.** گرد و غبار می تواند به آسانی مشتعل شوند.

دستگاه سوراخ کاری چکشی شارژی GSB 183-LI

حداکثر قطر سوراخ	
10	mm
10	mm
35	mm
13	mm
10	mm
1,6 (2,0 Ah) - 2,6 (12,0 Ah)	kg
0 ... +35	°C
-20 ... +50	°C
GBA 18V... ProCORE18V...	
GAL 18... GAX 18... GAL 36...	

A) اندازه گیری شده در دمای 25 °C - 20 با باتری قابل شارژ **GBA 18V 2.0Ah**.

B) بسته به نوع باتری کاربردی
C) توان محدود برای دمای 0 °C <

مقادیر ممکن است بسته به محصول متفاوت باشند و بستگی به شرایط استفاده و محیطی دارند. اطلاعات بیشتر را در سایت www.bosch-professional.com/wac مشاهده نمایید.

نصب

◀ **قبل از انجام هر گونه کاری با ابزار برقی (از جمله سرویس و نگهداری، تعویض ابزار و غیره)، باتری قابل شارژ را از داخل ابزار برقی خارج کنید.** در صورت فشردن شدن اتفاقی کلید روشن/خاموش، خطر آسیب دیدگی وجود دارد.

نحوه شارژ کردن باتری

◀ **تنها شارژرهای ذکر شده در مشخصات فنی را بکار برید.** تنها این دستگاه های شارژ با باتری های لیتیوم-یونی (Li-Ion) ابزار برقی شما منطبق میباشند.

نکته: باتری با شارژ نسبی ارسال می شود. برای دست یافتن به توان کامل باتری، قبل از بکار گیری آن برای اولین بار باید شارژ باتری بطور کامل در دستگاه شارژ تکمیل شود.

باتری های لیتیوم-یونی (Li-Ion) را میتوان همه وقت شارژ نمود، بدون اینکه از طول عمر آن کاسته شود. قطع کردن جریان شارژ آسیبی به باتری نمیرساند.

باتری های لیتیوم-یونی دارای سیستم حفاظت الکترونیک "Electronic Cell Protection (ECP)" بوده و در برابر خالی شدن حفاظت می شوند. اگر باتری خالی شود، ابزار برقی از طریق کلید حفاظتی بطور اتوماتیک خاموش میشود و دستگاه دیگر حرکت نمیکند.

طرز کار با دستگاه

راه اندازی و نحوه کاربرد دستگاه

جاگذاری باتری

نکته: استفاده از از باتریهای نامناسب با ابزار اندازهگیری ممکن است منجر به بروز خطا در عملکرد یا آسیب دیدگی ابزار اندازهگیری شود.
باتری پُر شده (6) را از جلو در پایه ابزار برقی برانید تا باتری مطمئن قفل شود.

نحوه تنظیم جهت چرخش (رجوع کنید به تصویر B)
◀ **کلید تغییر جهت چرخش (9) را هنگام متوقف بودن دستگاه فعال کنید.**

توسط دکمه تعویض جهت چرخش (9) می توان جهت چرخش ابزار برقی را تغییر داد. هنگامی که کلید قطع و وصل (10) فشرده شده است، این امر ممکن نیست.

گردش به راست: برای سوراخکاری و چرخاندن پیچ ها، کلید تغییر جهت چرخش (9) را تا انتها به چپ فشار دهید.

گردش به چپ: برای چرخاندن و پیچاندن و نیز سفت کردن مهرهها، کلید تغییر جهت چرخش (9) را تا انتها به راست فشار دهید.

تنظیم نوع عملکرد

سوراخ کاری

برای رسیدن به حداکثر گشتاور جهت سوراخ کاری و پیچ کاری، حلقه تنظیم انتخاب نوع عملکرد (4) را روی علامت "سوراخ کاری" قرار دهید.

پیچ کاری

حلقه تنظیم انتخاب نوع عملکرد (4) را روی علامت "پیچ کاری" قرار دهید.

حلقه تنظیم انتخاب گشتاور (3) را روی گشتاور دلخواه تنظیم کنید.

سوراخ کاری چکشی

حلقه تنظیم انتخاب نوع عملکرد (4) را روی علامت "سوراخ کاری چکشی" قرار دهید.

روشن/خاموش کردن

برای **راه اندازی** ابزار برقی، کلید قطع و وصل (10) را فشار داده و آنرا در حالت فشرده نگهدارید.
چراغهای LED (8) هنگام وارد کردن فشار کم یا کامل به کلید روشن/خاموش (10) روشن میشود و محیط کار را در صورت عدم وجود شرایط مناسب نور، روشن میکند.

برای **خاموش کردن** ابزار برقی، کلید قطع و وصل (10) را رها کنید.

چراغ LED با نشانگر وضعیت

چراغ LED (8) همچنین به عنوان نشانگر وضعیت برای حفاظت از دستگاه و هنگام پایین بودن سطح شارژ مورد استفاده قرار می گیرد:



توضیحات	بازخورد LED
کم بودن شارژ باتری. باتری به کمتر از میزان ولتاژ مطلوب کاهش یافته است. توان دستگاه محدود می شود.	3 عدد چراغ چشمک زن در حین کار
محافظة دستگاه فعال است. محافظ دستگاه برای حفاظت از دستگاه در برابر مصرف بالای برق و آسیب دیدن فعال می شود.	3 عدد چراغ چشمک زن پس از توقف

– اگر سطح شارژ باتری پایین است، باتری قابل شارژ (6) را شارژ کنید یا باتری قابل شارژ ضعیف را با یک باتری با شارژ کامل عوض کنید.

تنظیم سرعت (دور موتور)

سرعت ابزار برقی را می توان با فشردن دلخواه کلید قطع و وصل (10) تنظیم کرد.

فشار کم روی کلید قطع و وصل (10) سرعت کاهش میابد. افزایش فشار بر روی کلید قطع و وصل باعث افزایش سرعت میشود.

گشتاور را انتخاب کنید (معتبر برای عملکرد پیچکاری)

از طریق حلقه تنظیم انتخاب گشتاور (3) می توان گشتاور لازم را در 20 درجه مختلف از پیش انتخاب کرد. به محض رسیدن به گشتاور تنظیم شده، ابزار متوقف میشود.

انتخاب مکانیکی دنده

◀ **کلید تغییر جهت چرخش(5) را هنگام متوقف بودن دستگاه فعال کنید.**

دنده 1:

محدوده سرعت پایین، برای کار با متهای دارای قطر زیاد و یا برای پیچکاری.

دنده 2:

محدوده سرعت بالا، برای کار با متهای دارای قطر کم.

◀ دکمه انتخاب دنده را همواره تا انتها برانید.

در غیر اینصورت امکان آسیب دیدن ابزار برقی وجود دارد.

محافظ بار اضافی وابسته به دما

در صورت استفاده اصولی، ممکن است فشاری به ابزار برقی وارد نشود. در صورت فشار زیاد یا خارج شدن از محدوده دمای مجاز باتری، ابزار برقی خاموش می شود و چراغ LED روی ابزار برقی چشمک می زند. قبل از ادامه کار، بگذارید ابزار برقی خنک شود.

قفل محور تمام خودکار (قفل اتوماتیک)

در صورت فشرده نبودن کلید روشن/خاموش (10) میل شفت دریل و در نتیجه ابزارگیر (1) قفل می شود.

این امر امکان بستن پیچ ها را حتی در حالت خالی بودن باتری قابل شارژ (6) یا استفاده از ابزار برقی به عنوان پیچگوشتی را فراهم می سازد.

بپوشانید و باتری را طوری بسته بندی کنید که در بسته بندی تکان نخورد. در این باره لطفاً به مقررات و آیین نامه های ملی توجه کنید.

از رده خارج کردن دستگاه

ابزارهای برقی، باتری ها، متعلقات و بسته بندی ها، باید طبق مقررات حفظ محیط زیست از رده خارج و بازیافت شوند.

ابزار برقی و باتری ها/ باتری های قابل شارژ را داخل زباله دان خانگی نیندازید!



باتریهای شارژی/قلمی:

لیتیوم-یونی:

لطفاً به تذکرات بخش "حمل و نقل" توجه کنید (رجوع کنید به "حمل و نقل"، صفحه 122).

راهنماییهای عملی

◀ **ابزار برقی را تنها در حالت خاموش روی پیچ قرار دهید.** امکان لغزش ابزار در حال چرخش وجود دارد.

پیش از پیچ کردن پیچ های بزرگ و بلند داخل قطعات سخت، باید نخست يك سوراخ به قطر مغزی رزوه پیچ و به اندازه 2/3 طول پیچ داخل قطعه کار ایجاد کنید.

جهت جدا کردن سر پیچ و نگهدارنده ی سر پیچ نباید از ابزار کمکی استفاده گردد.

مراقبت و سرویس

مراقبت، تعمیر و تمیز کردن دستگاه

◀ **قبل از انجام هر گونه کاری با ابزار برقی (از جمله سرویس و نگهداری، تعویض ابزار و غیره)، باتری قابل شارژ را از داخل ابزار برقی خارج کنید.** در صورت فشردن شدن اتفاقی کلید روشن/خاموش، خطر آسیب دیدگی وجود دارد.

◀ **ابزار برقی و شیارهای تهویه را همواره تمیز نگهدارید تا بتوان بخوبی و با اطمینان کار کرد.**

خدمات و مشاوره با مشتریان

دفتر خدمات پس از فروش به سئوالات شما در باره تعمیرات، سرویس و همچنین قطعات یدکی و متعلقات پاسخ خواهد داد. تصاویر و اطلاعات در باره قطعات یدکی و متعلقات را میتوانید در سایت نامبرده زیر جستجو نمایید: www.bosch-pt.com
تیم مشاوره Bosch شما را در مورد سؤالیاتان نسبت به محصولات و متعلقات ما حمایت می کند. برای هرگونه سؤال و یا سفارش ابزار یدکی و متعلقات، حتماً شماره فنی ده رقمی کالا را مطابق برچسب روی ابزار برقی اطلاع دهید.

ایران

روبرت بوش ایران - شرکت بوش تجارت پارس
میدان ونک، خیابان شهید خدای، خیابان آفتاب
ساختمان مادیران، شماره 3، طبقه سوم.
تهران 1994834571
تلفن: 42039000 9821+

سایر اطلاعات مربوط به خدمات را اینجا می

یابید:

www.bosch-pt.com/serviceaddresses

حمل و نقل

باتریهای لیتیوم-یونی توصیه شده تابع مقررات حمل کالاهای پر خطر می باشند. کاربر می تواند باتریها را بدون استفاده از روکش در خیابان حمل کند.
در صورت ارسال از طرف شرکت ثالث (مثلاً: حمل و نقل هوایی یا زمینی) باید تمهیدات مربوط به بسته بندی و علامتگذاری مورد توجه قرار گیرد. در اینصورت باید حتماً جهت آماده سازی قطعه ارسالی به کارشناس حمل کالاهای پر خطر مراجعه کرد.
باتریهای شارژی را فقط در صورتی ارسال کنید که بدنه آنها آسیب ندیده باشد. کنتاکتهای باز را

de	EU-Konformitätserklärung Akku-Schlagbohr- maschine	Sachnummer	Wir erklären in alleiniger Verantwortung, dass die genannten Produkte allen einschlägigen Bestimmungen der nachfolgend aufgeführten Richtlinien und Verordnungen entsprechen und mit folgenden Normen übereinstimmen. Technische Unterlagen bei: *
en	EU Declaration of Conformity Cordless Impact Drill	Article number	We declare under our sole responsibility that the stated products comply with all applicable provisions of the directives and regulations listed below and are in conformity with the following standards. Technical file at: *
fr	Déclaration de conformité UE Perceuse à percussion sans- fil	N° d'article	Nous déclarons sous notre propre responsabilité que les produits décrits sont en conformité avec les directives, règlements normatifs et normes énumérés ci-dessous. Dossier technique auprès de : *
es	Declaración de conformidad UE Taladradora de percusión accionada por acumulador	Nº de artículo	Declaramos bajo nuestra exclusiva responsabilidad, que los productos nombrados cumplen con todas las disposiciones correspondientes de las Directivas y los Reglamentos mencionados a continuación y están en conformidad con las siguientes normas. Documentos técnicos de: *
pt	Declaração de Conformidade UE Berbequim de percussão sem fio	N.º do produto	Declaramos sob nossa exclusiva responsabilidade que os produtos mencionados cumprem todas as disposições e os regulamentos indicados e estão em conformidade com as seguintes normas. Documentação técnica pertencente à: *
tr	AB Uygunluk beyanı Akülü Darbeli Matkap	Ürün kodu	Tek sorumlu olarak, tanımlanan ürünün aşağıdaki yönetmelik ve direktiflerin geçerli bütün hükümlerine ve aşağıdaki standartlara uygun olduğunu beyan ederiz. Teknik belgelerin bulunduğu yer: *
pl	Deklaracja zgodności UE Akumulatorowa wiertarka udarowa	Numer katalogowy	Oświadczamy z pełną odpowiedzialnością, że niniejsze produkty odpowiadają wszystkim wymaganiom poniżej wyszczególnionych dyrektyw i rozporządzeń, oraz że są zgodne z następującymi normami. Dokumentacja techniczna: *
cs	EU prohlášení oshodě Akumulátorová příklepová vrtáčka	Objednací číslo	Prohlašujeme na výhradní zodpovědnost, že uvedený výrobek splňuje všechna příslušná ustanovení níže uvedených směrnic a nařízení a je vsouladu snásledujícími normami: Technické podklady u: *
sk	EÚ vyhlásenie ozhode Akumulátorová příklepová vrtáčka	Vecné číslo	Vyhlasujeme na výhradnú zodpovednosť, že uvedený výrobok spĺňa všetky príslušné ustanovenia nižšie uvedených smerníc a nariadení a je v súlade snasledujúcimi normami: Technické podklady má spoločnosť: *
hu	EU konformitási nyilatkozat Akkus ütvefűrógép	Cikkszám	Egyedüli felelősséggel kijelentjük, hogy a megnevezett termék megfelelnek az alábbiakban felsorolásra kerülő irányelvek és rendeletek valamennyi idevágó előírásainak és megfelelnek a következő szabványoknak. Műszaki dokumentumok megőrzési pontja: *
ru	Заявление о соответствии ЕС Аккумуляторная ударная дрель	Товарный №	Мы заявляем под нашу единоличную ответственность, что названные продукты соответствуют всем действующим предписаниям нижеуказанных директив и распоряжений, а также нижеуказанных норм. Техническая документация хранится у: *
uk	Заява про відповідність ЄС Акумуляторний ударний дріль	Товарний номер	Мизаявляємо під нашу одноособову відповідальність, що названі вироби відповідають усім чинним положенням нищеозначених директив і розпоряджень, а також нищеозначених нормам. Технічна документація зберігається у: *
kk	EO сәйкестік мағлұмдамасы		Өз жауапкершілікпен біз аталған өнімдер төменде жазылған директикалар мен жарлықтардың тиісті қағидаларына сәйкестігін және

Аккумуляторлық перфораторлық бұрғылау құралы		Өнім нөмірі төмендегі нормаларға сай екенін білдіреміз. Техникалық құжаттар: *	
ro	Declarație de conformitate UE	Declarăm pe proprie răspundere că produsele menționate corespund tuturor dispozițiilor relevante ale directivelor și reglementărilor enumerate în cele ce urmează și sunt în conformitate cu următoarele standarde. Documentație tehnică la: *	
	Mașină de găurit cu percuzie, cu acumulator	Număr de identificare	
bg	ЕС декларация за съответствие	С пълна отговорност ние декларираме, че посочените продукти отговарят на всички валидни изисквания на директивите и разпоредбите по-долу и съответства на следните стандарти. Техническа документация при: *	
	Акумуляторна ударна бормашина	Каталожен номер	
mk	EU-Изјава за сообразност	Со целосна одговорност изјавуваме, дека опишаните производи се во согласност со сите релевантни одредби на следните регулативи и прописи и се во согласност со следните норми. Техничка документација кај: *	
	Батериска вибрациона дупчалка	Број на дел/артикл	
sr	EU-izjava o usaglašenosti	Na sopstvenu odgovornost izjavljujemo, da navedeni proizvodi odgovaraju svim dotičnim odredbama naknadno navedenih smernica u uredaba i da su u skladu sa sledećim standardima. Tehnička dokumentacija kod: *	
	Akumulatorska udarna bušilica	Broj predmeta	
sl	Izjava o skladnosti EU	Izjavljam pod izključno odgovornostjo, da je omenjen izdelek v skladu z vsemi relevantnimi določili direktiv in uredb ter ustreza naslednjim standardom. Tehnična dokumentacija pri: *	
	Akumulatorski udarni vrtnik	Številka artikla	
hr	EU izjava o sukladnosti	Pod punom odgovornošću izjavljujemo da navedeni proizvodi odgovaraju svim relevantnim odredbama direktiva i propisima navedenima u nastavku i da su sukladni sa sljedećim normama. Tehnička dokumentacija se može dobiti kod: *	
	Akumulatorska udarna bušilica	Kataloški br.	
GSB 183-LI	3 601 JK9 100	2006/42/EC	EN 62841-1-2015+A11:2022
GSB 183-LI	3 601 JK9 120	2014/30/EU	EN 62841-2-1:2018+A11:2019
		2011/65/EU	+A1:2022+A12:2022
			EN IEC 55014-1:2021
			EN IEC 55014-2:2021
			EN IEC 63000:2018
		* Robert Bosch Power Tools GmbH (PT/ECS) 70538 Stuttgart GERMANY	
		Thomas Donato Chairman of the Management Board	Helmut Heinzelmann Head of Product Certification
		 	
		Robert Bosch Power Tools GmbH, 70538 Stuttgart, GERMANY Stuttgart, 18.09.2024	