

## Foam Jet Nozzle

F 016 800 382



**BOSCH**

**Robert Bosch Power Tools GmbH**  
70538 Stuttgart  
Germany

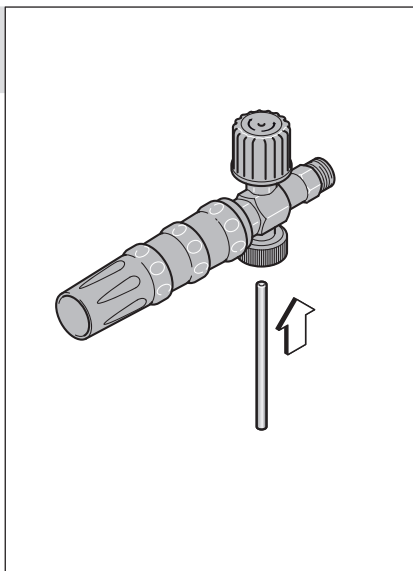
**[www.bosch-do-it.com](http://www.bosch-do-it.com)**

**1 609 92A 3EX (2022.06) 0/4**



1 609 92A 3EX

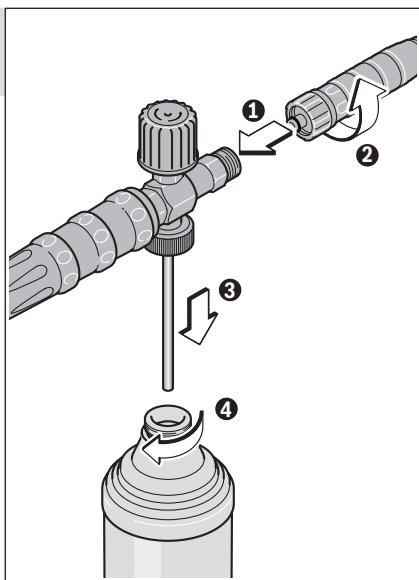
1



2



3



4

