



# GLL 2-20 Professional

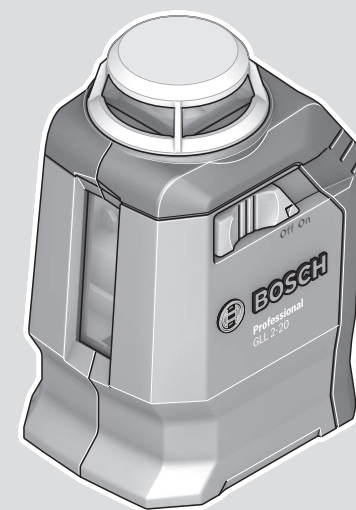
Robert Bosch Power Tools GmbH  
70538 Stuttgart  
GERMANY

[www.bosch-pt.com](http://www.bosch-pt.com)

1 609 92A 4HK (2020.10) T / 74



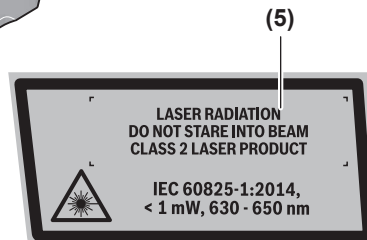
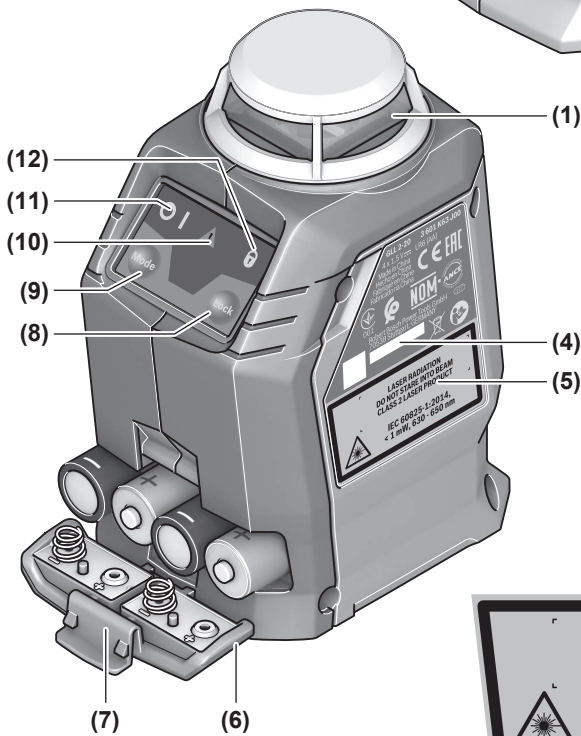
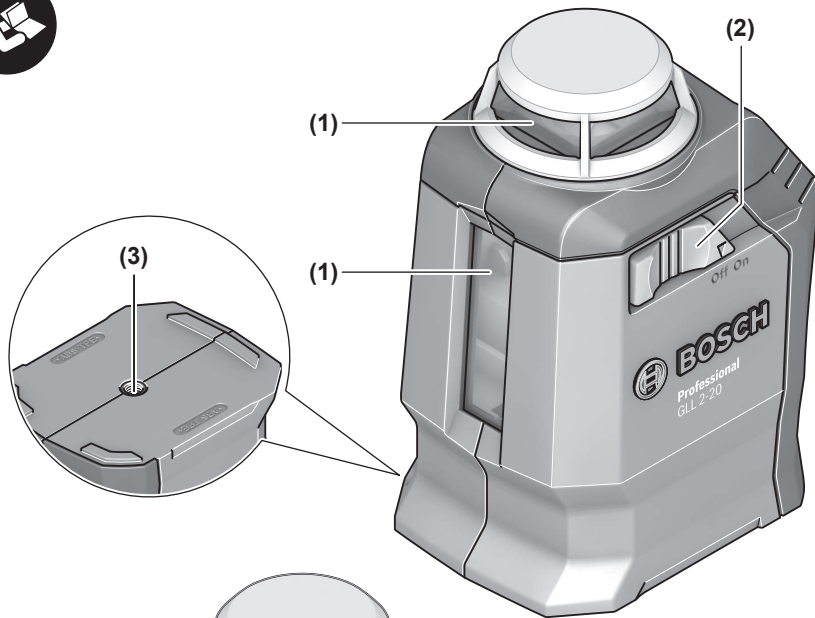
1 609 92A 4HK

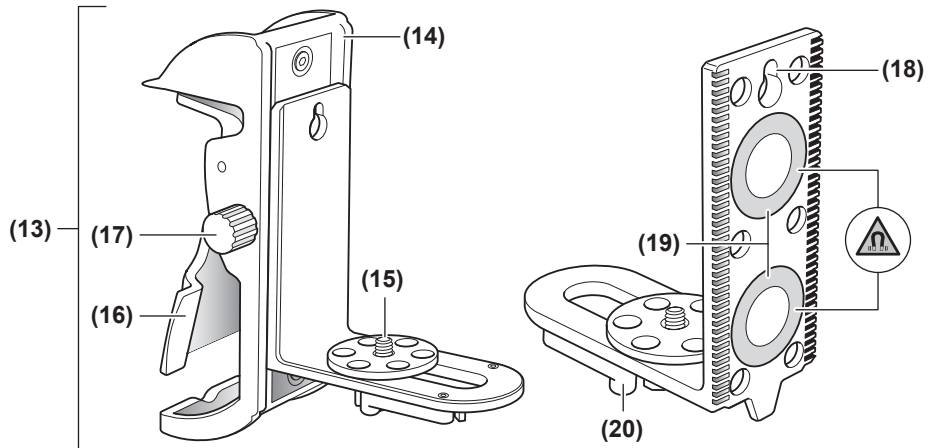


- en** Original instructions
- fr** Notice originale
- es** Manual original
- pt** Manual original
- tr** Orijinal işletme talimatı
- ru** Оригинальное руководство по эксплуатации
- uk** Оригінальна інструкція з експлуатації
- kk** Пайдалану нұсқаулығының түпнұсқасы
- mk** Оригинално упатство за работа
- sr** Originalno uputstvo za rad
- ar** دليل التشغيل الأصلي
- fa** دفترچه راهنمای اصلی

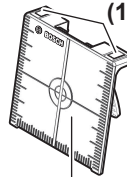


English .....	Page	8
Français .....	Page	13
Español .....	Página	18
Português .....	Página	23
Türkçe .....	Sayfa	28
Русский .....	Страница	34
Українська .....	Сторінка	40
Қазақ .....	Бет	46
Македонски .....	Страница	52
Srpski .....	Strana	57
عربي .....	الصفحة	63
فارسی .....	صفحه	69





(21)  
1 608 M00 05B



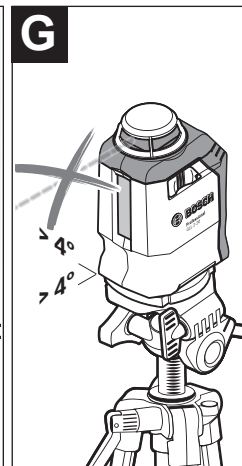
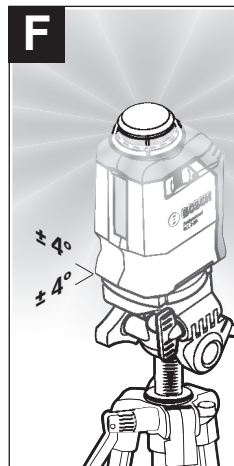
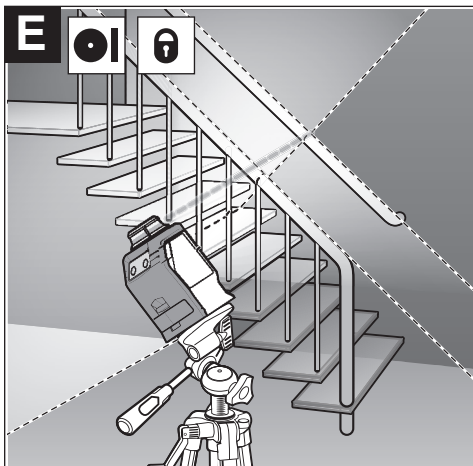
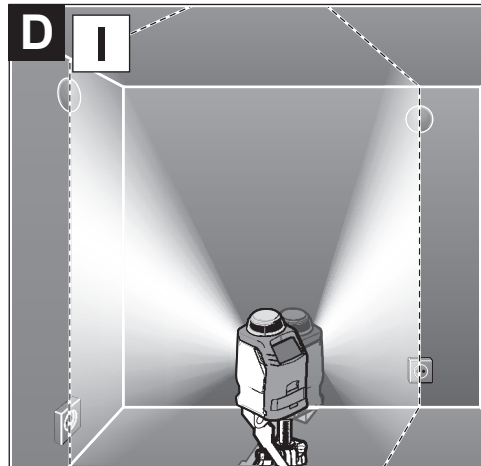
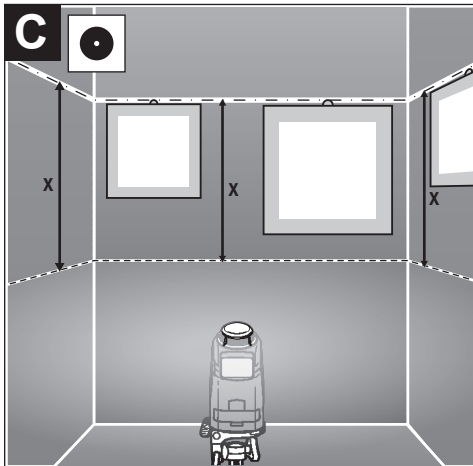
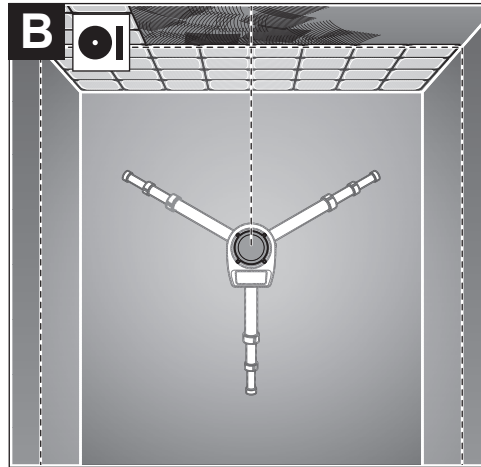
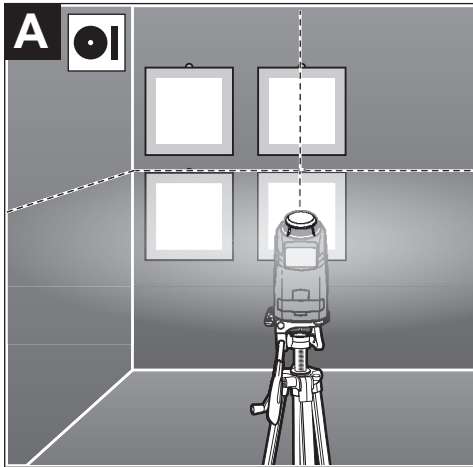
(19)  
(22)

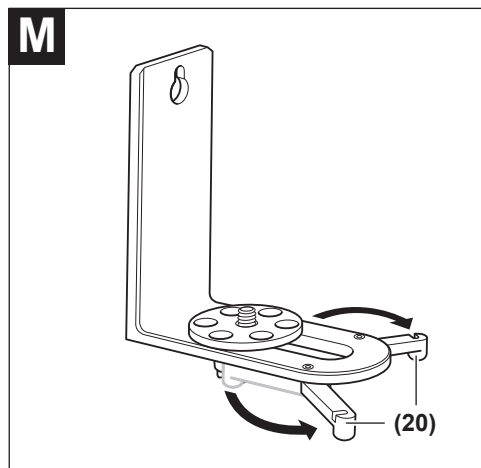
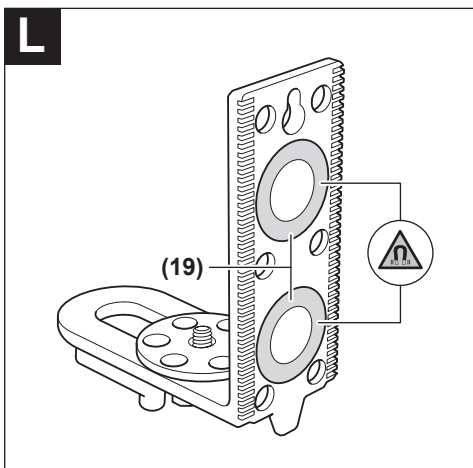
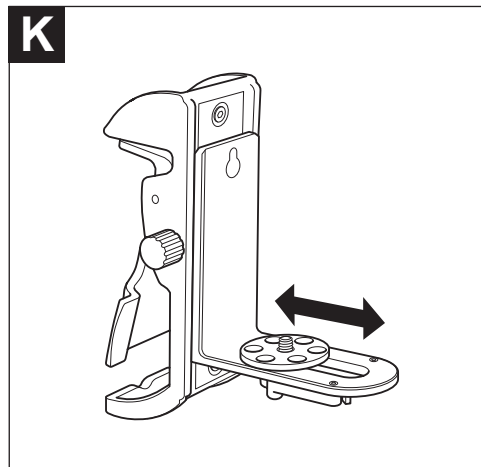
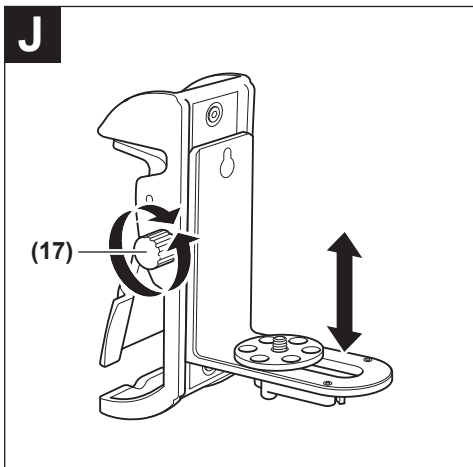
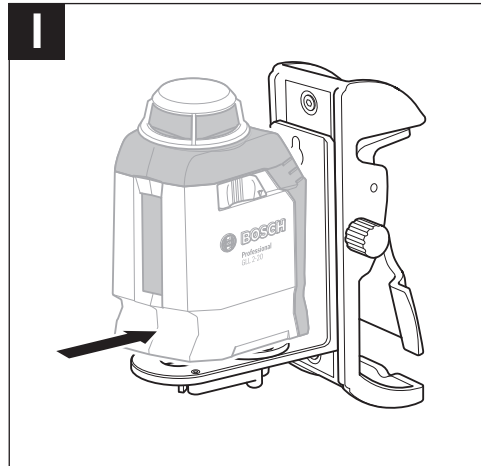
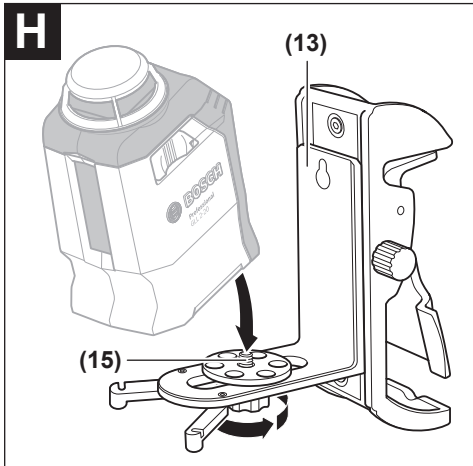


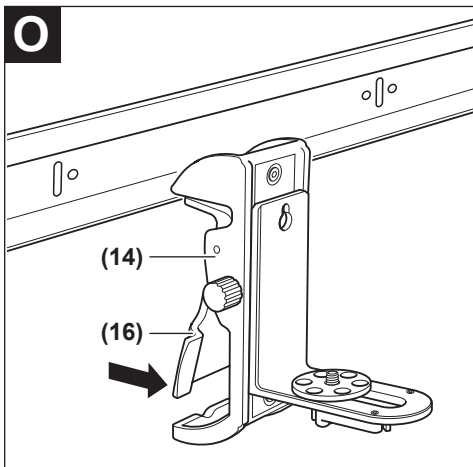
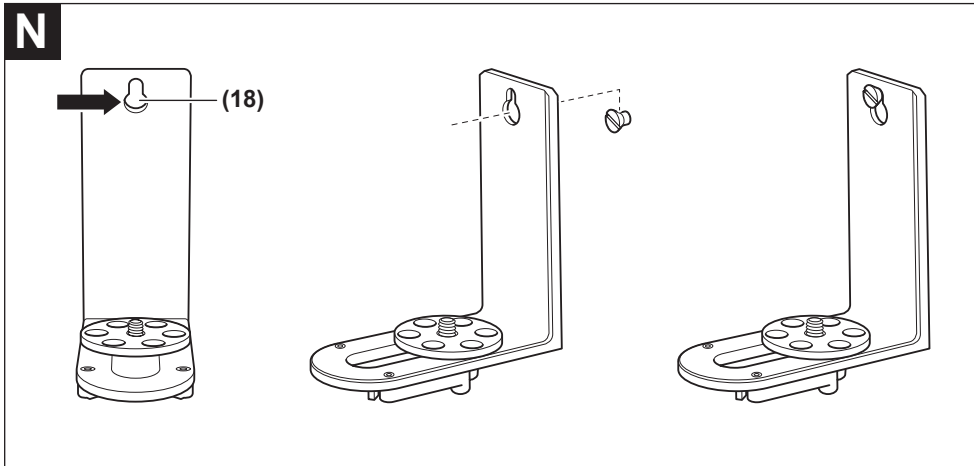
(23)  
**BT 150**  
0 601 096 B00



(24)







## English

### Safety Instructions



All instructions must be read and observed in order for the measuring tool to function safely. The safeguards integrated into the measuring tool may be compromised if the measuring tool is not used in accordance with these instructions. Never make warning signs on the measuring tool unrecognisable. **SAVE THESE INSTRUCTIONS FOR FUTURE REFERENCE AND INCLUDE THEM WITH THE MEASURING TOOL WHEN TRANSFERRING IT TO A THIRD PARTY.**

- ▶ **Warning! If operating or adjustment devices other than those specified here are used or other procedures are carried out, this can lead to dangerous exposure to radiation.**
- ▶ **The measuring tool is delivered with a laser warning sign (marked in the illustration of the measuring tool on the graphics page).**
- ▶ **If the text of the laser warning label is not in your national language, stick the provided warning label in your national language over it before operating for the first time.**



**Do not direct the laser beam at persons or animals and do not stare into the direct or reflected laser beam yourself.** You could blind somebody, cause accidents or damage your eyes.

- ▶ **If laser radiation hits your eye, you must close your eyes and immediately turn your head away from the beam.**
- ▶ **Do not make any modifications to the laser equipment.**
- ▶ **Do not use the laser goggles (accessory) as protective goggles.** The laser goggles make the laser beam easier to see; they do not protect you against laser radiation.
- ▶ **Do not use the laser goggles (accessory) as sunglasses or while driving.** The laser goggles do not provide full UV protection and impair your ability to see colours.
- ▶ **Have the measuring tool serviced only by a qualified specialist using only original replacement parts.** This will ensure that the safety of the measuring tool is maintained.
- ▶ **Do not let children use the laser measuring tool unsupervised.** They could unintentionally blind themselves or other persons.
- ▶ **Do not use the measuring tool in explosive atmospheres which contain flammable liquids, gases or dust.** Sparks may be produced inside the measuring tool, which can ignite dust or fumes.



**Keep the magnetic accessories away from implants and other medical devices, e.g. pacemakers or insulin pumps.** The magnets in the accessories generate a field that can impair the function of implants and medical devices.

- ▶ **Keep the magnetic accessories away from magnetic data storage media and magnetically-sensitive devices.** The effect of the magnets in the accessories can lead to irreversible data loss.

### Product Description and Specifications

Please observe the illustrations at the beginning of this operating manual.

#### Intended Use

The measuring tool is intended for determining and checking horizontal and vertical lines.

The measuring tool is suitable for indoor use.

#### Product features

The numbering of the product features shown refers to the illustration of the measuring tool on the graphic page.

- (1) Laser beam outlet aperture
- (2) On/off switch
- (3) 1/4" tripod mount
- (4) Serial number
- (5) Laser warning label
- (6) Battery compartment cover
- (7) Battery compartment cover locking mechanism
- (8) Pendulum lock button **Lock**
- (9) Button for laser operating mode **Mode**
- (10) Levelling warning
- (11) Laser operating mode indicator
- (12) Pendulum lock indicator
- (13) Universal holder<sup>A)</sup>
- (14) Ceiling clip of holder<sup>A)</sup>
- (15) Holder 1/4" screw<sup>A)</sup>
- (16) Ceiling clip locking mechanism<sup>A)</sup>
- (17) Ceiling clip rotary knob<sup>A)</sup>
- (18) Holder screw hole<sup>A)</sup>
- (19) Magnet<sup>A)</sup>
- (20) Holder stabilising legs<sup>A)</sup>
- (21) Laser viewing glasses<sup>A)</sup>
- (22) Laser target plate<sup>A)</sup>
- (23) Tripod<sup>A)</sup>



**(24) Case<sup>A)</sup>**

- A) **Accessories shown or described are not included with the product as standard. You can find the complete selection of accessories in our accessories range.**

**Technical data**

Cross line laser	GLL 2-20
Article number	<b>3 601 K63 J00</b>
Working range (diameter) up to approx. <sup>A)</sup>	20 m
Levelling accuracy <sup>B)</sup> (C)	±0.4 mm/m
Typical self-levelling range	±4°
Typical levelling time	4 s
Operating temperature	+5 °C ... +40 °C
Storage temperature	-20 °C ... +70 °C
Max. altitude	2000 m
Relative air humidity max.	90 %
Pollution degree according to IEC 61010-1	2 <sup>D)</sup>
Laser class	2
Laser type	< 1 mW, 630-650 nm
C <sub>6</sub>	1
Divergence	1.5 mrad
Tripod mount	1/4"
Batteries	4 × 1.5 V LR6 (AA)
Rechargeable batteries	4 × 1.2 V HR6 (AA)
Approx. operating time	12 h
Weight according to EPTA-Procedure 01:2014	0.38 kg
Dimensions (length × width × height)	85 × 70 × 125 mm

A) The working range may be reduced by unfavourable environmental conditions (e.g. direct sunlight).

B) At 20-25 °C

C) The values stated presuppose normal to favourable environmental conditions (e.g. no vibration, no fog, no smoke, no direct sunlight). Extreme fluctuations in temperature can cause deviations in accuracy.

D) Only non-conductive deposits occur, whereby occasional temporary conductivity caused by condensation is expected.

The serial number (4) on the type plate is used to clearly identify your measuring tool.

**Assembly****Inserting/Changing the batteries**

It is recommended that you use alkaline manganese or rechargeable batteries to operate the measuring tool.

To open the battery compartment cover (6), press the locking mechanism (7) and lift open the battery compartment cover. Insert the batteries/rechargeable batteries.

When inserting the batteries, ensure the polarity is correct according to the representation on the inside of the battery compartment cover (6).

Always replace all the batteries at the same time. Only use batteries from the same manufacturer and which have the same capacity.

- ▶ **Take the batteries out of the measuring tool when you are not using it for a prolonged period of time.** The batteries can corrode and self-discharge during prolonged storage.

**Operation****Starting Operation**

- ▶ **Protect the measuring tool from moisture and direct sunlight.**

- ▶ **Do not expose the measuring tool to any extreme temperatures or fluctuations in temperature.** For example, do not leave it in a car for extended periods of time. If it has been subjected to significant fluctuations in temperature, first allow the measuring tool to adjust to the ambient temperature and then always carry out an accuracy check before continuing work (see "Accuracy Check of the Measuring Tool", page 10).

The precision of the measuring tool may be compromised if exposed to extreme temperatures or fluctuations in temperature.

- ▶ **Avoid substantial knocks to the measuring tool and avoid dropping it.** Always carry out an accuracy check before continuing work if the measuring tool has been subjected to severe external influences (see "Accuracy Check of the Measuring Tool", page 10).

- ▶ **Switch the measuring tool off when transporting it.**

The pendulum unit is locked when the tool is switched off, as it can otherwise be damaged by big movements.

**Switching On/Off**

To **switch on** the measuring tool, slide the on/off switch (2) to the "On" position. As soon as it is switched on, the measuring tool emits laser lines from the outlet apertures (1).

- ▶ **Do not direct the laser beam at persons or animals and do not stare into the laser beam yourself (even from a distance).**

To **switch off** the measuring tool, slide the on/off switch (2) to the **Off** position. The pendulum unit is locked when the tool is switched off.

- ▶ **Never leave the measuring tool unattended when switched on, and ensure the measuring tool is switched off after use.** Others may be blinded by the laser beam.




**Operating Modes**

Once the measuring tool has been switched on, it is in cross-line operation with automatic levelling.

To change the operating mode, press the **Mode** button for laser operating mode (9) until the required laser operating

mode is displayed by the corresponding "Laser operating mode" indicator **(11)** lighting up.

You can choose between the following operating modes:

Indicator	Operating mode
	<b>Cross-line operation</b> (see figures <b>A</b> , <b>B</b> and <b>E</b> ): The measuring tool generates a horizontal laser plane (360° surrounding laser line) and a vertical laser line.
	<b>Horizontal operation</b> (see figure <b>C</b> ): The measuring tool generates a horizontal laser plane.
	<b>Vertical operation</b> (see figure <b>D</b> ): The measuring tool generates a vertical laser line.

All operating modes can be selected with both automatic levelling or the pendulum lock.

## Automatic Levelling

### Working with automatic levelling (see figures F–G)

To work with automatic levelling, the pendulum lock indicator **(12)** must not light up. If necessary, switch the automatic levelling on again by pressing the pendulum lock button **Lock (8)** so that the pendulum lock indicator goes out.

Position the measuring tool on a level, firm surface or attach it to the universal holder **(13)** or the tripod **(23)**.

The automatic levelling function automatically compensates irregularities within the self-levelling range of  $\pm 4^\circ$ . The levelling is finished as soon as the laser lines stop moving.

If automatic levelling is not possible, e.g. because the surface on which the measuring tool stands deviates by more than  $4^\circ$  from the horizontal plane, the levelling warning **(10)** lights up red and the laser is switched off automatically.

If this is the case, set up the measuring tool in a level position and wait for the self-levelling to take place. As soon as the measuring tool is within the self-levelling range of  $\pm 4^\circ$  again, the levelling warning **(10)** goes out and the laser is switched on.

It is not possible to work with automatic levelling outside the self-levelling range of  $\pm 4^\circ$ , as the levelling accuracy of the laser beams cannot be guaranteed and it cannot be guaranteed that the laser beams are perpendicular.

In case of ground vibrations or position changes during operation, the measuring tool is automatically levelled again.

Upon re-levelling, check the position of the horizontal or vertical laser line with regard to the reference points to avoid errors by moving the measuring tool.

### Working with a pendulum lock (see figure E)

To work with the pendulum lock, press the pendulum lock button **Lock (8)**. The pendulum lock indicator **(12)** lights up red when the pendulum lock is switched on.

For work with the pendulum lock, the automatic levelling is switched off. You can hold the measuring tool freely in your hand or place it on a sloping surface. This means that the

laser lines are no longer levelled and no longer necessarily run perpendicular to one another.

## Accuracy Check of the Measuring Tool

### Influences on Accuracy

The largest influence is exerted by the ambient temperature. In particular, temperature differences that occur from the ground upwards can refract the laser beam.

Since the temperature stratification is greatest at ground level, you should mount the measuring tool on a tripod and position it in the centre of the work surface, wherever this is possible.

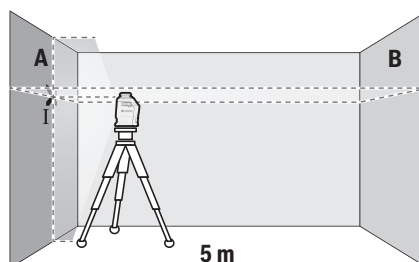
In addition to external influences, device-specific influences (e.g. falls or heavy impacts) can also lead to deviations. For this reason, check the levelling accuracy each time before beginning work.

Should the measuring tool exceed the maximum deviation during one of the tests, please have it repaired by a **Bosch** after-sales service.

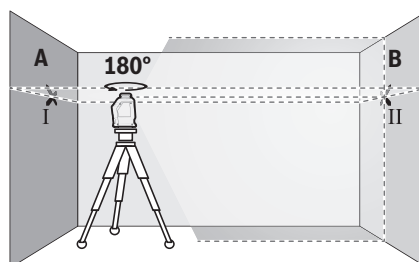
### Checking the Horizontal Levelling Accuracy

For this check, you will need a free measuring distance of **5 m** on firm ground between two walls (designated A and B).

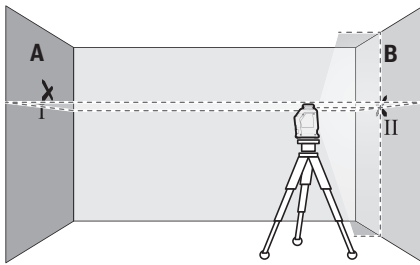
- Mount the measuring tool close to wall A on a tripod, or place it on a firm, level surface. Switch on the measuring tool. Select cross-line mode with automatic levelling.



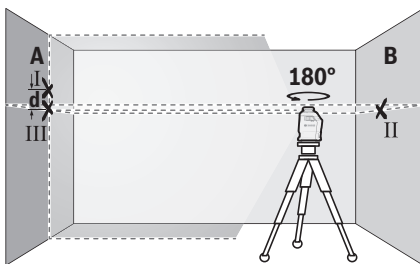
- Aim the laser at the closer wall A and allow the measuring tool to level in. Mark the middle of the point at which the laser lines cross on the wall (point I).



- Turn the measuring tool  $180^\circ$ , allow it to level in and mark the point where the laser lines cross on the opposite wall B (point II).
- Position the measuring tool – without rotating it – close to wall B, switch it on and allow it to level in.



- Align the height of the measuring tool (using the tripod or by placing objects underneath as required) so that the point where the laser lines cross exactly hits the previously marked point II on wall B.



- Turn the measuring tool 180° without adjusting the height. Aim it at wall A such that the vertical laser line runs through the already marked point I. Allow the measuring tool to level in and mark the point where the laser lines cross on wall A (point III).
- The discrepancy **d** between the two marked points I and III on wall A reveals the actual height deviation of the measuring tool.

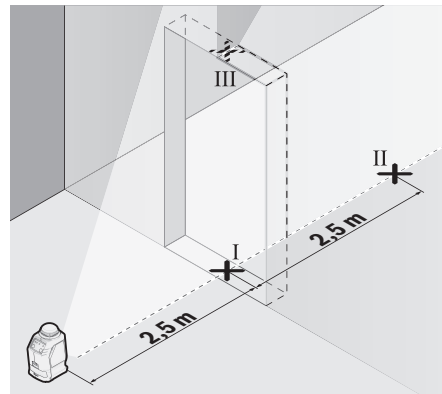
The maximum permitted deviation on the measuring distance of  $2 \times 5 \text{ m} = 10 \text{ m}$  is as follows:

$10 \text{ m} \times \pm 0.4 \text{ mm/m} = \pm 4 \text{ mm}$ . The discrepancy **d** between points I and II must therefore amount to no more than 4 mm.

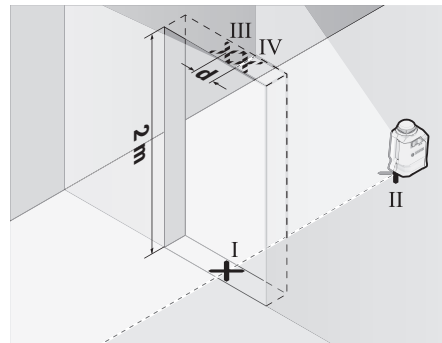
#### Checking the Level Accuracy of the Vertical Line

For this check, you will need a door opening (on solid ground) which has at least 2.5 m of space either side of the door.

- Place the measuring tool 2.5 m away from the door opening on a firm, flat surface (not on a tripod). Select vertical mode with automatic levelling. Aim the vertical laser line at the door opening and allow the measuring tool to level in.



- Mark the centre of the vertical laser line on the floor of the door opening (point I), 5 m away on the other side of the door opening (point II) and on the upper edge of the door opening (point III).



- Rotate the measuring tool 180° and position it on the other side of the door opening, directly behind point II. Allow the measuring tool to level in and align the vertical laser line in such a way that its centre passes through points I and II exactly.
- Mark the centre of the laser line on the upper edge of the door opening as point IV.
- The discrepancy **d** between the two marked points III and IV reveals the actual vertical deviation of the measuring tool.
- Measure the height of the door opening.

You can calculate the maximum permitted deviation as follows:

Doubled height of the door opening  $\times 0.4 \text{ mm/m}$

Example: At a door opening height of 2 m, the maximum deviation amounts to

$2 \times 2 \text{ m} \times \pm 0.4 \text{ mm/m} = \pm 1.6 \text{ mm}$ . The points III and IV must therefore be no further than 1.6 mm from each other.

## Working Advice

- ▶ **Only the centre of the laser line must be used for marking.** The width of the laser line changes depending on the distance.

### Working with the Tripod (Accessory)

A tripod offers a stable, height-adjustable support surface for measuring. Place the measuring tool with the 1/4" tripod mount (3) on the thread of the tripod (23) or a conventional camera tripod. Tighten the measuring tool using the locking screw of the tripod.

Roughly align the tripod before switching on the measuring tool.

### Securing with the universal holder (accessory) (see figures H–O)

Using the universal holder (13), you can secure the measuring tool on vertical surfaces, pipes or magnetizable materials, for example. The universal holder is also suitable for use as a floor stand and facilitates height adjustment of the measuring tool.

To secure the measuring tool to the universal holder (13), screw the holder's 1/4" screw (15) firmly in the tripod mount (3) on the measuring tool.

To turn or move the measuring tool on the holder, loosen the 1/4" screw (15) slightly.

When using the ceiling clip (14), fine adjustments can be performed by moving the measuring tool up and down using the rotary knob (17).

Roughly align the universal holder (13) before switching on the measuring tool.

The measuring tool can be secured as follows using the universal holder (13):

- The universal holder (13) (without ceiling clip (14)) can be attached to magnetic surfaces using the magnets (19) (figure L).
- You can use the universal holder (13) (without ceiling clip (14)) as a tabletop tripod by placing the holder on the floor and folding out the holder's stabilising legs (20) (figure M).
- The universal holder (13) (without ceiling clip (14)) can be screwed onto dry walls or wood. To do this, insert a (commercially available) fastening screw measuring at least 50 mm long into the screw hole (18) in the holder and screw it down firmly (figure N).
- The universal holder (13) can also be attached to ceiling grid rails or wall rails using the locking mechanism (16) on the ceiling clip (14) (figure O).

### Laser Goggles (Accessory)

The laser goggles filter out ambient light. This makes the light of the laser appear brighter to the eye.

- ▶ **Do not use the laser goggles (accessory) as protective goggles.** The laser goggles make the laser beam easier to see; they do not protect you against laser radiation.
- ▶ **Do not use the laser goggles (accessory) as sunglasses or while driving.** The laser goggles do not

provide full UV protection and impair your ability to see colours.

## Maintenance and Service

### Maintenance and Cleaning

Keep the measuring tool clean at all times.

Never immerse the measuring tool in water or other liquids.

Wipe off any dirt using a damp, soft cloth. Do not use any detergents or solvents.

The areas around the outlet aperture of the laser in particular should be cleaned on a regular basis. Make sure to check for lint when doing this.

Only store and transport the measuring tool in the case (24).

If the measuring tool needs to be repaired, send it off in the case (24).

### After-Sales Service and Application Service

Our after-sales service responds to your questions concerning maintenance and repair of your product as well as spare parts. You can find explosion drawings and information on spare parts at: [www.bosch-pt.com](http://www.bosch-pt.com)

The Bosch product use advice team will be happy to help you with any questions about our products and their accessories.

In all correspondence and spare parts orders, please always include the 10-digit article number given on the nameplate of the product.

### Great Britain

Robert Bosch Ltd. (B.S.C.)

P.O. Box 98

Broadwater Park

North Orbital Road

Denham Uxbridge

UB 9 5HJ

At [www.bosch-pt.co.uk](http://www.bosch-pt.co.uk) you can order spare parts or arrange the collection of a product in need of servicing or repair.

Tel. Service: (0344) 7360109

E-Mail: [boschservicecentre@bosch.com](mailto:boschservicecentre@bosch.com)

### You can find further service addresses at:

[www.bosch-pt.com/serviceaddresses](http://www.bosch-pt.com/serviceaddresses)

### Disposal

Measuring tools, battery packs/batteries, accessories and packaging should be sorted for environmentally friendly recycling.



Do not dispose of the measuring tools or rechargeable/non-rechargeable batteries with household waste.

### Only for EU countries:

According to the Directive 2012/19/EU, measuring tools that are no longer usable, and according to the Directive 2006/66/EC, defective or used battery packs/batteries, must be collected separately and disposed of in an environmentally correct manner.

## Français

### Consignes de sécurité



Pour une utilisation sans danger et en toute sécurité de l'appareil de mesure, lisez attentivement toutes les instructions et tenez-en compte. En cas de non-respect des présentes instructions, les fonctions de protection de l'appareil de mesure risquent d'être altérées. Faites en sorte que les étiquettes d'avertissement se trouvant sur l'appareil de mesure restent toujours lisibles. **CONSERVEZ CES INSTRUCTIONS DANS UN LIEU SÛR ET REMETTEZ-LES À TOUT NOUVEL UTILISATEUR DE L'APPAREIL DE MESURE.**

- ▶ **Attention** – L'utilisation d'autres dispositifs de commande ou d'ajustage que ceux indiqués ici ou l'exécution d'autres procédures risque de provoquer une exposition dangereuse aux rayonnements.
- ▶ L'appareil de mesure est fourni avec une étiquette d'avertissement laser (repérée dans la représentation de l'appareil de mesure sur la page des graphiques).
- ▶ Si le texte de l'étiquette d'avertissement laser n'est pas dans votre langue, recouvrez l'étiquette par l'autocollant dans votre langue qui est fourni, avant de procéder à la première mise en service.



**Ne dirigez jamais le faisceau laser vers des personnes ou des animaux et ne regardez jamais dans le faisceau laser projeté par l'appareil ou réfléchi.** Vous risqueriez d'éblouir des personnes, de provoquer des accidents ou de causer des lésions oculaires.

- ▶ **Au cas où le faisceau laser frappe un œil, fermez immédiatement les yeux et déplacez la tête pour l'éloigner du faisceau. N'apportez jamais de modifications au dispositif laser.**
- ▶ **N'apportez aucune modification au dispositif laser.**
- ▶ **N'utilisez pas les lunettes de vision laser (accessoire non fourni) comme des lunettes de protection.** Les lunettes de vision laser aident seulement à mieux voir le faisceau laser ; elles ne protègent pas contre les effets des rayonnements laser.
- ▶ **N'utilisez pas les lunettes de vision laser (accessoire non fourni) comme des lunettes de soleil ou pour la circulation routière.** Les lunettes de vision laser n'offrent pas de protection UV complète et elles faussent la perception des couleurs.
- ▶ **Ne confiez la réparation de l'appareil de mesure qu'à un réparateur qualifié utilisant uniquement des pièces de rechange d'origine.** La sécurité de l'appareil de mesure sera ainsi préservée.
- ▶ **Ne laissez pas les enfants utiliser l'appareil de mesure laser sans surveillance.** Ils risqueraient de diriger le faisceau vers leurs propres yeux ou d'éblouir d'autres personnes par inadvertance.

- ▶ **Ne faites pas fonctionner l'appareil de mesure en atmosphère explosive, en présence de liquides, gaz ou poussières inflammables.** L'appareil de mesure peut produire des étincelles susceptibles d'enflammer les poussières ou les vapeurs.



**N'approchez pas les accessoires magnétiques de personnes porteuses d'implants chirurgicaux ou d'autres dispositifs médicaux (stimulateurs cardiaques, pompe à insuline, etc.).** Les aimants des accessoires génèrent un champ magnétique susceptible d'altérer le fonctionnement des implants chirurgicaux et dispositifs médicaux.

- ▶ **N'approchez pas les accessoires magnétiques de supports de données magnétiques ou d'appareils sensibles aux champs magnétiques.** Les aimants des accessoires peuvent provoquer des pertes de données irréversibles.

### Description des prestations et du produit

Référez-vous aux illustrations qui se trouvent au début de la notice d'utilisation.

#### Utilisation conforme

L'appareil de mesure est conçu pour projeter et vérifier des lignes horizontales et verticales.

L'appareil de mesure est approprié pour une utilisation en intérieur.

#### Éléments constitutifs

La numérotation des éléments de l'appareil se réfère à la représentation de l'appareil de mesure sur la page graphique.

- (1) Orifice de sortie du faisceau laser
- (2) Interrupteur Marche/Arrêt
- (3) Raccord de trépied 1/4"
- (4) Numéro de série
- (5) Étiquette d'avertissement laser
- (6) Couvercle du compartiment à piles
- (7) Verrouillage du couvercle du compartiment à piles
- (8) Touche Blocage de l'unité pendulaire **Lock**
- (9) Touche Mode de fonctionnement laser **Mode**
- (10) Alerte de nivellement
- (11) Affichage mode de fonctionnement laser
- (12) Témoin Unité pendulaire bloquée
- (13) Support de fixation universel<sup>A)</sup>
- (14) Pince de plafond du support de fixation<sup>A)</sup>
- (15) Vis 1/4" du support de fixation<sup>A)</sup>
- (16) Blocage de la pince de plafond<sup>A)</sup>
- (17) Bouton rotatif de la pince de plafond<sup>A)</sup>
- (18) Trou oblong du support de fixation<sup>A)</sup>

- (19) Aimants<sup>A)</sup>
- (20) Pieds de stabilisation du support de fixation<sup>A)</sup>
- (21) Lunettes de vision laser<sup>A)</sup>
- (22) Cible laser<sup>A)</sup>
- (23) Trépied<sup>A)</sup>
- (24) Coffret<sup>A)</sup>

A) Les accessoires décrits ou illustrés ne sont pas tous compris dans la fourniture. Vous trouverez les accessoires complets dans notre gamme d'accessoires.

## Caractéristiques techniques

Laser lignes croix	GLL 2-20
Référence	<b>3 601 K63 J00</b>
Portée maximale (diamètre) approx. <sup>A)</sup>	20 m
Précision de nivellement <sup>B)C)</sup>	±0,4 mm/m
Plage d'auto-nivellement	±4°
Durée de nivellement	4 s
Températures de fonctionnement	+5 °C ... +40 °C
Températures de stockage	-20 °C ... +70 °C
Altitude d'utilisation maxi	2000 m
Humidité d'air relative maxi	90 %
Degré d'encrassement selon IEC 61010-1	2 <sup>D)</sup>
Classe laser	2
Type de laser	< 1 mW, 630-650 nm
C <sub>6</sub>	1
Divergence	1,5 mrad
Raccord de trépied	1/4"
Piles	4 × 1,5 V LR6 (AA)
Piles rechargeables	4 × 1,2 V HR6 (AA)
Autonomie approx.	12 h
Poids suivant EPTA-Procédure 01:2014	0,38 kg
Dimensions (longueur x largeur x hauteur)	85 × 70 × 125 mm

A) La portée peut être réduite par des conditions défavorables (par ex. exposition directe au soleil).

B) à 20-25 °C

C) Les valeurs indiquées s'appliquent dans des conditions ambiantes normales à favorables (par ex. pas de vibrations, pas de brouillard, pas de fumée, pas d'ensoleillement direct). Après de fortes variations de températures, la précision peut différer de la valeur indiquée.

D) N'est conçu que pour les salissures/saletés non conductrices mais supporte occasionnellement la conductivité due aux phénomènes de condensation.

Pour une identification précise de votre appareil de réception, servez-vous du numéro de série (4) inscrit sur la plaque signalétique.

## Montage

### Mise en place/remplacement des piles

Pour le fonctionnement de l'appareil de mesure, nous recommandons d'utiliser des piles alcalines au manganèse ou des accus.

Pour ouvrir le couvercle du compartiment à piles (6), appuyez sur le verrouillage (7) et retirez le couvercle du compartiment à piles. Insérez les piles.

Respectez la polarité indiquée sur le schéma présent à l'intérieur du couvercle du compartiment à piles (6).

Remplacez toujours toutes les piles en même temps. N'utilisez que des piles de la même marque avec la même capacité.

► **Sortez les piles de l'appareil de mesure si vous savez que l'appareil ne va pas être utilisé pour une période prolongée.** En cas de stockage prolongé, les piles peuvent se corroder et se décharger.

## Utilisation

### Mise en marche

► **Protégez l'appareil de mesure contre l'humidité, ne l'exposez pas directement aux rayons du soleil.**

► **N'exposez pas l'appareil de mesure à des températures extrêmes ou de brusques variations de température.** Ne le laissez pas trop longtemps dans une voiture exposée au soleil, par exemple. Lorsque l'appareil de mesure a été soumis à de fortes variations de température, attendez qu'il revienne à la température ambiante et contrôlez toujours sa précision avant de continuer à travailler (voir « Contrôle de précision de l'appareil de mesure », Page 15).

Des températures extrêmes ou de brusques changements de température peuvent réduire la précision de l'appareil de mesure.

► **Évitez les chocs violents et évitez de faire tomber l'appareil de mesure.** Lorsque l'appareil de mesure a été soumis à de fortes sollicitations extérieures, effectuez toujours un contrôle de précision avant de continuer à travailler (voir « Contrôle de précision de l'appareil de mesure », Page 15).

► **Éteignez l'appareil de mesure quand vous le transportez.** À l'arrêt de l'appareil, l'unité pendulaire se verrouille afin de prévenir tout endommagement consécutif à des mouvements violents.

### Mise en marche / arrêt

Pour **mettre en marche** l'appareil de mesure, placez l'interrupteur Marche/Arrêt (2) dans la position « On ». Immédiatement après avoir été mis en marche, l'appareil de mesure projette un faisceau laser par l'orifice de sortie (1).

► **Ne dirigez pas le faisceau laser vers des personnes ou des animaux et ne regardez jamais dans le faisceau laser, même si vous êtes à grande distance de ce dernier.**

Pour **arrêter** l'appareil de mesure, placez l'interrupteur Marche/Arrêt **(2)** dans la position « **Off** ». Lorsque l'appareil est éteint, l'unité pendulaire se verrouille.

► **Ne laissez pas l'appareil de mesure sans surveillance quand il est allumé et éteignez-le après l'utilisation.**




D'autres personnes pourraient être éblouies par le faisceau laser.

## Modes de fonctionnement

Après sa mise en marche, l'appareil de mesure se trouve dans le mode Lignes croisées avec nivellement automatique.

Pour changer de mode de fonctionnement, actionnez de façon répétée la touche Mode de fonctionnement laser **Mode (9)** jusqu'à ce que l'affichage correspondant au mode souhaité **(11)** s'allume.

Les modes de fonctionnement suivants sont disponibles:

Affichage	Mode de fonctionnement
	<b>Mode lignes croisées</b> (voir figures <b>A</b> , <b>B</b> et <b>E</b> ) : l'appareil de mesure projette un plan laser horizontal (ligne laser sur 360°) et une ligne laser verticale.
	<b>Mode horizontal</b> (voir figure <b>C</b> ) : l'appareil de mesure projette un plan laser horizontal.
	<b>Mode vertical</b> (voir figure <b>D</b> ) : l'appareil de mesure projette une ligne laser verticale.

Tous les modes de fonctionnement peuvent être sélectionnés aussi bien en cas d'utilisation avec nivellement automatique ou avec système pendulaire bloqué.

## Nivellement automatique

### Utilisation avec nivellement automatique (voir figures F-G)

Lors d'une utilisation avec nivellement automatique, le témoin Unité pendulaire bloquée **(12)** ne doit pas s'allumer. Réactivez si nécessaire le nivellement automatique en actionnant la touche Blocage de l'unité pendulaire **Lock (8)**, de façon à ce que le témoin Unité pendulaire bloquée s'éteigne. Placez l'appareil de mesure sur une surface horizontale stable, fixez-le sur le support universel **(13)** ou sur le trépied **(23)**.

Le nivellement automatique compense automatiquement l'inclinaison de l'appareil à l'intérieur de la plage d'auto-nivellement de  $\pm 4^\circ$ . Le nivellement automatique est terminé dès que les lignes laser ne bougent plus.

Quand un nivellement automatique n'est pas possible, par ex. du fait que la surface sur laquelle est posé l'appareil de mesure est inclinée de plus de  $4^\circ$  par rapport à l'horizontale, l'alerte de nivellement **(10)** s'allume en rouge et le laser se désactive automatiquement.

En pareil cas, placez l'appareil de mesure plus à l'horizontale et attendez que le nivellement automatique se fasse. Dès que l'appareil de mesure se trouve à l'intérieur de la plage d'auto-nivellement de  $\pm 4^\circ$ , l'alerte de nivellement **(10)** s'éteint et le laser est activé.

En dehors de la plage d'auto-nivellement de  $\pm 4^\circ$ , il n'est pas possible d'utiliser l'appareil de mesure avec le nivellement automatique parce qu'il ne peut sinon pas être garanti que les lignes laser sont bien à niveau et perpendiculaires entre elles.

S'il subit des secousses ou change de position pendant son utilisation, l'appareil de mesure se remet à niveau automatiquement. Après chaque nouveau nivellement, vérifiez la position des lignes laser horizontale et verticale par rapport aux points de référence afin d'éviter des erreurs dues au déplacement de l'appareil de mesure.

### Utilisation avec l'unité pendulaire bloquée (voir figure E)

Pour travailler avec l'unité pendulaire bloquée, actionnez la touche Blocage de l'unité pendulaire **Lock (8)**. Quand le blocage de l'unité pendulaire est activé, le témoin Unité pendulaire bloquée **(12)** s'allume en rouge.

Lors d'une utilisation de l'appareil avec le système pendulaire bloqué, le nivellement automatique est désactivé. Vous pouvez tenir l'appareil de mesure dans une main ou bien le poser sur une surface inclinée. L'inclinaison des lignes laser n'est plus corrigée et elles ne sont donc plus forcément perpendiculaires l'une par rapport à l'autre.

## Contrôle de précision de l'appareil de mesure

### Facteurs influant sur la précision

C'est la température ambiante qui exerce la plus grande influence. Ce sont notamment les écarts de température entre le sol et la hauteur de travail qui peuvent faire dévier le faisceau laser.

Comme c'est au niveau du sol que les écarts de température sont les plus importants, il convient, dans la mesure du possible, de monter l'appareil de mesure sur un trépied et de placer ce dernier au centre de la surface de travail.

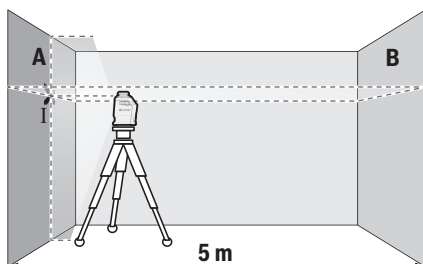
Étant donné que les résultats de mesure peuvent être altérés à la fois par des facteurs extérieurs (températures extrêmes, fortes variations de température, etc.) et par des facteurs mécaniques (par ex. chutes ou chocs violents), il est important de vérifier la précision de nivellement avant chaque travail.

Si l'appareil de mesure dépasse l'écart de précision admissible lors de l'un des contrôles, faites-le réparer dans un centre de service après-vente **Bosch**.

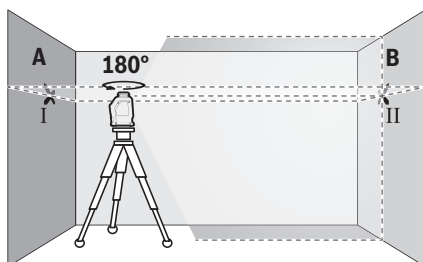
### Contrôle de la précision de nivellement horizontal de l'axe transversal

Pour ce contrôle, il est nécessaire de pouvoir effectuer une mesure sur une distance de **5 m** entre deux murs A et B.

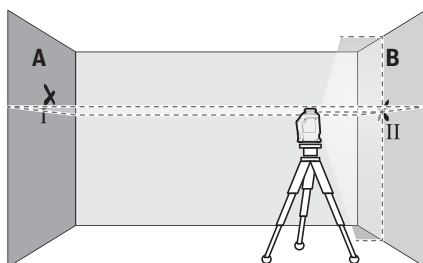
- Montez l'appareil de mesure sur un trépied près du mur A ou placez-le sur une surface stable et plane. Mettez l'appareil de mesure en marche. Sélectionnez le mode lignes croisées avec nivellement automatique.



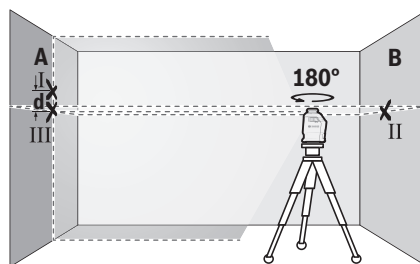
- Dirigez le laser vers le mur le plus proche A et attendez que l'appareil de mesure se mette à niveau. Marquez sur le mur le point de croisement des lignes laser (point I).



- Tournez l'appareil de mesure de 180°, attendez que l'appareil de mesure se mette à niveau et marquez le point de croisement des lignes laser sur le mur B d'en face (point II).
- Placez l'appareil de mesure – sans le tourner – près du mur B, mettez-le en marche et attendez qu'il se mette à niveau.



- Ajustez la hauteur de l'appareil de mesure (à l'aide du trépied ou, le cas échéant, avec des cales) de sorte que le point de croisement des lignes laser coïncide sur le mur B avec le point II marqué précédemment.



- Tournez l'appareil de mesure de 180° sans modifier la hauteur. Orientez-le vers le mur A de sorte que la ligne laser verticale passe par le point I marqué précédemment. Attendez que l'appareil de mesure se mette à niveau et marquez le point de croisement des lignes laser sur le mur A (point III).
- L'écart **d** entre les deux points I et III sur le mur A indique l'écart de hauteur réel de l'appareil de mesure.

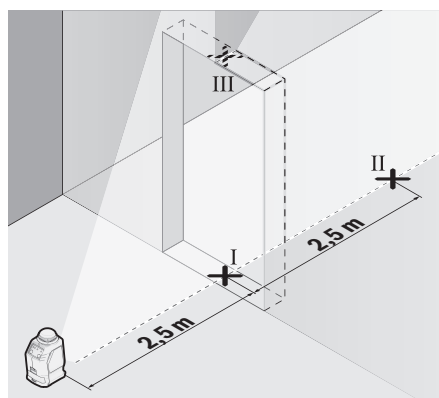
Pour une distance de mesure de  $2 \times 5 \text{ m} = 10 \text{ m}$ , l'écart maximal admissible est de :

$10 \text{ m} \times \pm 0,4 \text{ mm/m} = \pm 4 \text{ mm}$ . L'écart **d** entre les points I et II ne doit par conséquent pas excéder 4 mm.

#### Contrôle de la précision de nivellement de la ligne verticale

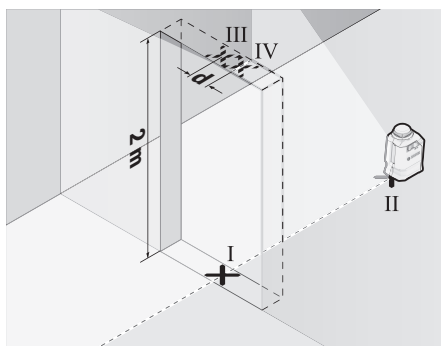
Pour ce contrôle, vous avez besoin d'une embrasure de porte avec au moins 2,5 m de chaque côté de la porte (sur un sol stable).

- Posez l'appareil de mesure sur une surface stable et plane (pas sur un trépied) à 2,5 m de distance de l'embrasure de porte. Sélectionnez le mode vertical avec nivellement automatique. Dirigez la ligne laser verticale vers l'embrasure de porte et laissez l'appareil de mesure se mettre à niveau.



- Marquez le milieu de la ligne laser verticale au bas (au niveau du sol) de l'embrasure de porte (point I), à 5 m de distance du côté opposé de l'embrasure de porte (point II) ainsi qu'au bord supérieur de l'embrasure de porte (point III).





- Tournez l'appareil de mesure de 180° et placez-le de l'autre côté de l'embrasure de porte, directement derrière le point II. Attendez que l'appareil de mesure se mette à niveau et ajustez la position de la ligne laser verticale de sorte que son milieu passe exactement par les points I et II.
- Marquez le milieu de la ligne laser au bord supérieur de l'embrasure de porte (point IV).
- L'écart  $d$  entre les deux points III et IV indique l'écart réel de l'appareil de mesure par rapport à la verticale.
- Mesurez la hauteur de l'embrasure de porte.

L'écart maximal admissible se calcule comme suit :  
 2 fois la hauteur de l'embrasure de porte  $\times 0,4$  mm/m  
 Exemple : Si la hauteur de l'embrasure de porte est de 2 m, l'écart maximal ne doit pas excéder  
 $2 \times 2 \text{ m} \times \pm 0,4 \text{ mm/m} = \pm 1,6 \text{ mm}$ . Les points III et IV ne doivent par conséquent pas être éloignés de plus de 1,6 mm l'un de l'autre.

### Instructions d'utilisation

- **Pour marquer la position d'une ligne laser, marquez toujours le milieu de la ligne.** La largeur des lignes laser varie en effet selon la distance.

#### Travail avec le trépied (accessoire)

Un trépied constitue un support de mesure stable et réglable en hauteur. Fixez l'appareil de mesure avec son raccord de trépied 1/4" (3) sur le trépied (23) ou un trépied d'appareil photo du commerce. Vissez l'appareil de mesure avec la vis de serrage du trépied.

Mettez le trépied plus ou moins à niveau avant de mettre en marche l'appareil de mesure.

#### Fixation sur le support universel (accessoire) (voir figures H-0)

Le support universel (13) permet de fixer l'appareil de mesure p. ex. sur des surfaces verticales, des tuyaux ou des matériaux magnétisables. Le support universel peut également servir de trépied de sol. Il facilite l'alignement en hauteur de l'appareil de mesure.

Pour fixer l'appareil de mesure au support de fixation universel (13), vissez la vis 1/4" (15) du support dans le raccord de trépied (3) de l'appareil de mesure.

Pour faire pivoter ou déplacer l'appareil de mesure sur le support, desserrez légèrement la vis 1/4" (15).

En cas d'utilisation de la pince de plafond (14), l'appareil de mesure peut être déplacé vers le haut ou vers le bas à l'aide du bouton rotatif de réglage micrométrique (17).

Mettez le support universel (13) plus ou moins à niveau avant de mettre en marche l'appareil de mesure.

Le support universel (13) offre plusieurs possibilités de fixation pour l'appareil de mesure :

- Le support universel (13) (sans pince de plafond (14)) peut être fixé sur des surfaces magnétiques avec les aimants (19) (figure L).
- Le support universel (13) (sans pince de plafond (14)) peut servir de trépied de table. Pour cela, posez le support sur le sol et déployez les pieds de stabilisation (20) (figure M).
- Le support universel (13) (sans pince de plafond (14)) peut aussi être vissé dans du bois ou une cloison sèche. Pour cela, insérez une vis de fixation (du commerce) d'au moins 50 mm de longueur dans le trou oblong (18) du support de fixation et vissez-la (figure N).
- Pour finir, le support universel (13) peut être fixé à un rail ou une traverse de plafond ou de mur à l'aide du blocage (16) de la pince de plafond (14) (figure O).

#### Lunettes de vision du faisceau laser (accessoire)

Les lunettes de vision du faisceau laser filtrent la lumière ambiante. L'œil perçoit ainsi la lumière du laser comme étant plus claire.

- **N'utilisez pas les lunettes de vision laser (accessoire non fourni) comme des lunettes de protection.** Les lunettes de vision laser aident seulement à mieux voir le faisceau laser ; elles ne protègent pas contre les effets des rayonnements laser.
- **N'utilisez pas les lunettes de vision laser (accessoire non fourni) comme des lunettes de soleil ou pour la circulation routière.** Les lunettes de vision laser n'offrent pas de protection UV complète et elles faussent la perception des couleurs.

## Entretien et Service après-vente

### Nettoyage et entretien

Maintenez l'appareil de mesure propre.

N'immergez jamais l'appareil de mesure dans de l'eau ou dans d'autres liquides.

Nettoyez l'appareil à l'aide d'un chiffon doux et humide. N'utilisez pas de détergents ou de solvants.

Nettoyez régulièrement la zone autour de l'ouverture de sortie du faisceau laser en évitant les peluches.

Ne stockez et transportez l'appareil de mesure que dans le coffret (24) fourni.

Si l'appareil doit être réparé, renvoyez-le dans son coffret (24).

## Service après-vente et conseil utilisateurs

Notre Service après-vente répond à vos questions concernant la réparation et l'entretien de votre produit et les pièces de rechange. Vous trouverez des vues éclatées et des informations sur les pièces de rechange sur le site : [www.bosch-pt.com](http://www.bosch-pt.com)

L'équipe de conseil utilisateurs Bosch se tient à votre disposition pour répondre à vos questions concernant nos produits et leurs accessoires.

Pour toute demande de renseignement ou toute commande de pièces de rechange, précisez impérativement la référence à 10 chiffres figurant sur l'étiquette signalétique du produit.

### France

Réparer un outil Bosch n'a jamais été aussi simple, et ce, en moins de 5 jours, grâce à SAV DIRECT, notre formulaire de retour en ligne que vous trouverez sur notre site internet [www.bosch-pt.fr](http://www.bosch-pt.fr) à la rubrique Services. Vous y trouverez également notre boutique de pièces détachées en ligne où vous pouvez passer directement vos commandes.

Vous êtes un utilisateur, contactez : Le Service Clientèle Bosch Outillage Electroportatif  
Tel. : 09 70 82 12 26 (Numéro non surtaxé au prix d'un appel local)

E-Mail : [sav.outillage-electroportatif@fr.bosch.com](mailto:sav.outillage-electroportatif@fr.bosch.com)

Vous êtes un revendeur, contactez :

Robert Bosch (France) S.A.S.  
Service Après-Vente Electroportatif  
126, rue de Stalingrad  
93705 DRANCY Cédex  
Tel. : (01) 43119006  
E-Mail : [sav-bosch.outillage@fr.bosch.com](mailto:sav-bosch.outillage@fr.bosch.com)

### Vous trouverez d'autres adresses du service après-vente sous :

[www.bosch-pt.com/serviceaddresses](http://www.bosch-pt.com/serviceaddresses)

## Élimination des déchets

Prière de rapporter les appareils de mesure, les piles/accus, les accessoires et les emballages dans un Centre de recyclage respectueux de l'environnement.



Ne jetez pas les appareils de mesure et les piles/accus avec des ordures ménagères !

### Seulement pour les pays de l'UE :

Conformément à la directive européenne 2012/19/UE, les appareils de mesure hors d'usage, et conformément à la directive européenne 2006/66/CE, les accus/piles usagés ou défectueux doivent être éliminés séparément et être recyclés en respectant l'environnement.



## Español

### Indicaciones de seguridad



**Leer y observar todas las instrucciones, para trabajar sin peligro y riesgo con el aparato de medición. Si el aparato de medición no se utiliza según las presentes instrucciones, pueden menoscabarse las medidas de seguridad integradas en el aparato de medición. Jamás desvirtúe las señales de advertencia del aparato de medición. GUARDE BIEN ESTAS INSTRUCCIONES Y ADJUNTELAS EN LA ENTREGA DEL APARATO DE MEDICIÓN.**

- ▶ **Precaución** – si se utilizan dispositivos de manejo o de ajuste distintos a los especificados en este documento o si se siguen otros procedimientos, esto puede conducir a una peligrosa exposición a la radiación.
- ▶ **El aparato de medición se suministra con un rótulo de advertencia láser** (marcada en la representación del aparato de medición en la página ilustrada).
- ▶ **Si el texto del rótulo de advertencia láser no está en su idioma del país, entonces cúbralo con la etiqueta adhesiva adjunta en su idioma del país antes de la primera puesta en marcha.**



**No oriente el rayo láser sobre personas o animales y no mire hacia el rayo láser directo o reflejado.** Debido a ello, puede deslumbrar personas, causar accidentes o dañar el ojo.

- ▶ **Si la radiación láser incide en el ojo, debe cerrar conscientemente los ojos y mover inmediatamente la cabeza fuera del rayo.**
- ▶ **No efectúe modificaciones en el equipamiento del láser.**
- ▶ **No utilice las gafas de visualización láser (accesorio) como gafas protectoras.** Las gafas de visualización láser sirven para detectar mejor el rayo láser; sin embargo, éstas no protegen contra la radiación láser.
- ▶ **No utilice las gafas de visualización láser (accesorio) como gafas de sol o en el tráfico.** Las gafas de visualización láser no proporcionan protección UV completa y reducen la percepción del color.
- ▶ **Sólo deje reparar el aparato de medición por personal técnico calificado y sólo con repuestos originales.** Solamente así se mantiene la seguridad del aparato de medición.
- ▶ **No deje que niños utilicen el aparato de medición láser sin vigilancia.** Podrían deslumbrar involuntariamente a otras personas o a sí mismo.
- ▶ **No trabaje con el aparato de medición en un entorno potencialmente explosivo, en el que se encuentran líquidos, gases o polvos inflamables.** El aparato de medición puede producir chispas e inflamar los materiales en polvo o vapores.



**No coloque el instrumento de medición y los accesorios magnéticos cerca de implantes y otros dispositivos médicos, como p. ej. marcapasos o bomba de insulina.** Los imanes de los accesorios generan un campo, que puede afectar el funcionamiento de los implantes o de los dispositivos médicos.

- **Mantenga los accesorios magnéticos lejos de soportes de datos magnéticos y dispositivos magnéticamente sensibles.** Por el efecto de los imanes de los accesorios pueden generarse pérdidas de datos irreversibles.

## Descripción del producto y servicio

Por favor, observe las ilustraciones en la parte inicial de las instrucciones de servicio.

### Utilización reglamentaria

El aparato de medición ha sido diseñado para determinar y verificar líneas horizontales y verticales.

El aparato de medición es apto para su uso en el interior.

### Componentes principales

La numeración de los componentes está referida a la imagen del aparato de medición en la página ilustrada.

- (1) Abertura de salida del rayo láser
- (2) Interruptor de conexión/desconexión
- (3) Alojamiento de trípode de 1/4"
- (4) Número de serie
- (5) Señal de aviso láser
- (6) Tapa del compartimento de las pilas
- (7) Enclavamiento de la tapa del compartimento de las pilas
- (8) Tecla para el bloqueo del péndulo **Lock**
- (9) Tecla del modo de funcionamiento del láser **Mode**
- (10) Alarma de nivelación
- (11) Indicador del modo de funcionamiento del láser
- (12) Indicador de bloqueo del péndulo
- (13) Soporte universal<sup>A)</sup>
- (14) Abrazadera del techo del soporte<sup>A)</sup>
- (15) Tornillo de 1/4" del soporte<sup>A)</sup>
- (16) Retención de la abrazadera del techo<sup>A)</sup>
- (17) Botón giratorio de la abrazadera del techo<sup>A)</sup>
- (18) Orificio roscado del soporte<sup>A)</sup>
- (19) Imán<sup>A)</sup>
- (20) Patas estabilizadoras del soporte<sup>A)</sup>
- (21) Gafas de visión láser<sup>A)</sup>
- (22) Tablilla reflectante de láser<sup>A)</sup>
- (23) Trípode<sup>A)</sup>

### (24) Maleta<sup>A)</sup>

- A) Los accesorios descritos e ilustrados no corresponden al material que se adjunta de serie. La gama completa de accesorios opcionales se detalla en nuestro programa de accesorios.

## Datos técnicos

Láser de línea en cruz	GLL 2-20
Número de artículo	<b>3 601 K63 J00</b>
Área de trabajo (diámetro) hasta aprox. <sup>A)</sup>	20 m
Precisión de nivelación <sup>B)(C)</sup>	±0,4 mm/m
Margen de autonivelación, típico	±4°
Tiempo de nivelación, típico	4 s
Temperatura de servicio	+5 °C ... +40 °C
Temperatura de almacenamiento	-20 °C ... +70 °C
Altura de aplicación máx. sobre la altura de referencia	2000 m
Humedad relativa del aire máx.	90 %
Grado de contaminación según IEC 61010-1	2 <sup>D)</sup>
Clase de láser	2
Tipo de láser	< 1 mW, 630–650 nm
C <sub>6</sub>	1
Divergencia	1,5 mrad
Fijación para trípode	1/4"
Pilas	4 × 1,5 V LR6 (AA)
Acumuladores	4 × 1,2 V HR6 (AA)
Duración del servicio aprox.	12 h
Peso según EPTA-Procedu-re 01:2014	0,38 kg
Medidas (longitud × ancho × altura)	85 × 70 × 125 mm

A) La zona de trabajo puede reducirse con condiciones del entorno adversas (p. ej. irradiación solar directa).

B) con **20–25 °C**

C) Los valores indicados asumen condiciones ambientales normales a favorables (p. ej. sin vibraciones, sin niebla, sin humo, sin luz solar directa). Tras fuertes fluctuación de temperatura pueden generarse desviaciones de precisión.

D) Sólo se produce un ensuciamiento no conductor, sin embargo ocasionalmente se espera una conductividad temporal causada por la condensación.

Para la identificación unívoca de su aparato de medición sirve el número de referencia **(4)** en la placa de características.

## Montaje

### Colocar/cambiar las pilas

Se recomienda utilizar pilas alcalinas de manganeso, o acumuladores, en el aparato de medición.

Para abrir la tapa del alojamiento de las pilas **(6)**, pulse el bloqueo **(7)** y abra la tapa del alojamiento de las pilas. Coloque las pilas o los acumuladores.

Observe en ello la polaridad correcta conforme a la representación en el lado interior de la tapa del compartimento para pilas **(6)**.

Siempre sustituya todas las pilas o acumuladores al mismo tiempo. Solamente utilice pilas o acumuladores del mismo fabricante e igual capacidad.

- **Retire las pilas o los acumuladores del aparato de medición, si no va a utilizarlo durante un periodo prolongado.** Tras un tiempo de almacenaje prolongado, las pilas y los acumuladores se pueden llegar a corroer o autodescargar.

## Operación

### Puesta en marcha

- **Proteja el aparato de medición de la humedad y de la exposición directa al sol.**
- **No exponga el aparato de medición a temperaturas extremas o fluctuaciones de temperatura.** No lo deje, por ejemplo, durante un tiempo prolongado en el automóvil. En caso de grandes fluctuaciones de temperatura, deje que se temple primero el aparato de medición y realice siempre una verificación de precisión antes de continuar con el trabajo (ver "Verificación de precisión del aparato de medición", Página 21). Las temperaturas extremas o los cambios bruscos de temperatura pueden afectar a la exactitud del aparato de medición.
- **Evite que el aparato de medición reciba golpes o que caiga.** Después de influencias externas severas en el aparato de medición, debería realizar siempre una verificación de precisión antes de continuar con el trabajo (ver "Verificación de precisión del aparato de medición", Página 21).
- **Desconecte el aparato de medición cuando vaya a transportarlo.** Al desconectarlo, la unidad del péndulo se inmoviliza, evitándose así que se dañe al quedar sometida a una fuerte agitación.

### Conexión/desconexión

Para **conectar** el aparato de medición, empuje el interruptor de conexión/desconexión **(2)** a la posición "On". El aparato de medición envía las líneas láser de las aberturas de salida **(1)** inmediatamente después de la conexión.

- **No oriente el rayo láser contra personas ni animales, ni mire directamente hacia el rayo láser, incluso encontrándose a gran distancia.**

Para **desconectar** el aparato de medición, coloque el interruptor de conexión/desconexión **(2)** en la posición "Off". Al desconectar, se bloquea la unidad oscilante.




- **No deje sin vigilancia el aparato de medición encendido y apague el aparato de medición después del uso.** El rayo láser podría deslumbrar a otras personas.

## Modos de operación

Tras la conexión, el aparato de medición se encuentra la modalidad de línea en cruz con nivelación automática.

Para cambiar el modo de funcionamiento, pulse repetidamente la tecla del modo de funcionamiento del láser **Mode (9)** hasta que se ilumine el indicador correspondiente del modo de funcionamiento del láser **(11)**.

Están disponibles los siguientes modos de operación:

Indicador	Modo de operación
	<b>Modalidad de línea en cruz</b> (ver las figuras <b>A, B y E</b> ): El aparato de medición genera un plano horizontal del láser (línea láser circulante de 360°) y una línea láser vertical.
	<b>Modalidad horizontal</b> (ver la figura <b>C</b> ): El aparato de medición genera un plano horizontal del láser.
	<b>Modalidad vertical</b> (ver la figura <b>D</b> ): El aparato de medición genera una línea láser vertical.

Todos los modos de operación se pueden seleccionar con nivelación automática así como también con bloqueo del péndulo.

## Nivelación automática

### Operación con nivelación automática (ver las figuras F-G)

En el caso de trabajos con nivelación automática no debe estar encendida la indicación del bloqueo del péndulo **(12)**. En caso dado, vuelva a activar la nivelación automática presionando la tecla del bloqueo del péndulo **Lock (8)**, para que se apague la indicación del bloqueo del péndulo.

Coloque el aparato de medición sobre una superficie horizontal y sólida, fíjelo en el soporte universal **(13)** o en el trípode **(23)**.

La nivelación automática compensa automáticamente los desniveles dentro del margen de autonivelación de  $\pm 4^\circ$ . La nivelación se ha finalizado, una vez que ya no se muevan las líneas láser.

Si no es posible realizar la nivelación automática, por ejemplo, porque la superficie de colocación del aparato de medición difiere más de  $4^\circ$  de la horizontal, la alarma de nivelación **(10)** se ilumina en rojo y el láser se desconecta automáticamente.

En este caso, coloque horizontalmente el aparato de medición y espere a que se autonivele. Una vez que el aparato de medición vuelve a estar dentro del margen de autonivelación de  $\pm 4^\circ$ , desaparece la alarma de nivelación **(10)** y el láser se conecta.

El trabajo con el sistema de nivelación automática no es posible fuera del rango de autonivelación de  $\pm 4^\circ$ , ya que de lo contrario no se puede garantizar ni la precisión de nivelación de los rayos láser ni el ángulo recto entre los mismos.

En el caso de vibraciones o modificaciones de posición durante el servicio, el aparato de medición se nivela de nuevo

automáticamente. Tras una nueva nivelación, verifique la posición de la línea láser horizontal o vertical en cuanto a los puntos de referencia, para evitar errores debido a un desplazamiento del aparato de medición.

#### Trabajos con bloqueo del péndulo (ver figura E)

Para trabajos con bloqueo del péndulo, presione la tecla del bloqueo del péndulo **Lock (8)**. Con el bloqueo del péndulo conectado, el indicador de bloqueo del péndulo **(12)** se ilumina en color rojo.

En el caso de trabajos con bloqueo del péndulo está desconectada la nivelación automática. Puede sostener el aparato de medición libremente en la mano o ponerlo sobre una base inclinada. Las líneas láser ya no se nivelan y ya no son necesariamente perpendiculares entre sí.

### Verificación de precisión del aparato de medición

#### Factores que afectan a la precisión

La influencia más fuerte la tiene la temperatura ambiente. Especialmente las variaciones de temperatura que pudieran existir a diferente altura respecto al suelo pueden provocar una desviación del rayo láser.

Como la estratificación térmica es más grande en las cercanías del suelo, debería montar el aparato de medición en lo posible sobre un trípode y colocarlo en el centro de la superficie de trabajo.

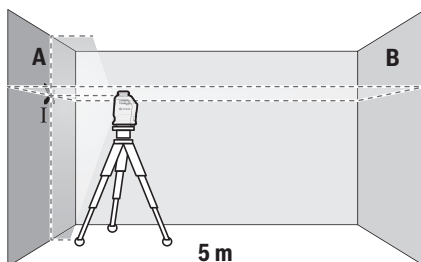
Fuera de los influjos exteriores, también los influjos específicos del aparato (como p. ej. caídas o golpes fuertes) pueden conducir a divergencias. Verifique por ello la exactitud de la nivelación antes de cada comienzo de trabajo.

Si en alguna de estas comprobaciones se llega a sobrepasar la desviación máxima admisible, haga reparar el aparato de medición en un servicio técnico **Bosch**.

#### Control de la precisión de nivelación horizontal en el eje transversal

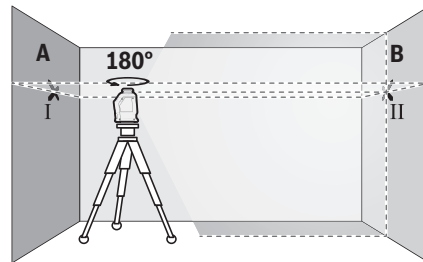
Para la comprobación se requiere un tramo libre de **5 m** sobre un firme consistente entre dos paredes A y B.

- Coloque el aparato de medición cerca de la pared A montándolo sobre un trípode, o colocándolo sobre un firme consistente y plano. Conecte la herramienta de medición. Seleccione el modo de operación de líneas cruzadas con nivelación automática.

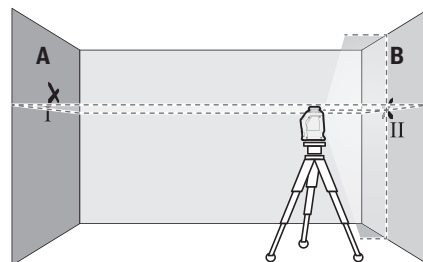


- Orienta el láser contra la cercana pared A, y deje que se nivele el aparato de medición. Marque el centro del pun-

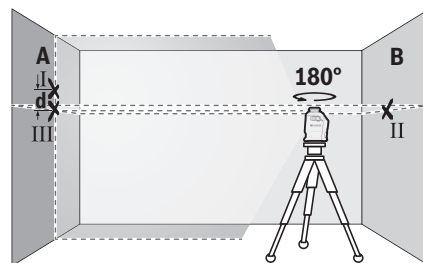
to, en el cual se cruzan las líneas láser en la pared (punto I).



- Gire el aparato de medición en  $180^\circ$ , espere a que éste se haya nivelado y marque la intersección de las líneas láser en la pared B del lado opuesto (punto II).
- Ubique el aparato de medición – sin girarlo – cerca de la pared B, conéctelo y déjelo que se nivele.



- Alinee el aparato de medición en la altura (con la ayuda del trípode o de apoyos si es necesario), de modo que la intersección de las líneas láser quede exactamente en el punto II marcado previamente en la pared B.



- Gire el aparato de medición en  $180^\circ$ , sin modificar la altura. Alineelo sobre la pared A, de modo que la línea láser vertical pase por el punto I ya marcado. Espere a que se haya nivelado el aparato de medición y marque la intersección de las líneas láser en la pared A (punto III).
- La diferencia **d** de ambos puntos I y III marcados sobre la pared A es la desviación de altura real del aparato de medición.

En un recorrido de medición de  $2 \times 5 \text{ m} = 10 \text{ m}$ , la divergencia máxima admisible asciende a:

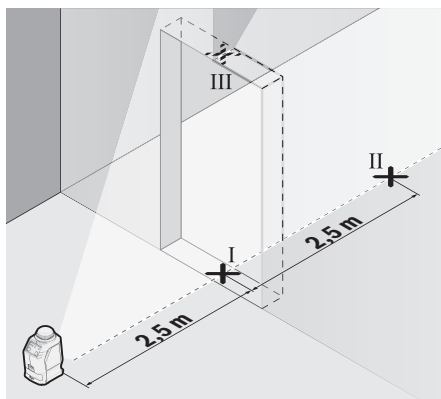
$10 \text{ m} \times \pm 0,4 \text{ mm/m} = \pm 4 \text{ mm}$ . La diferencia **d** entre los pun-

tos I y II debe ascender por consiguiente a como máximo 4 mm.

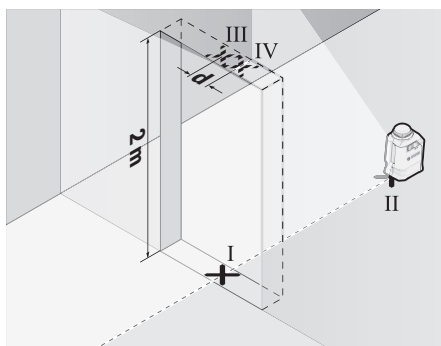
### Comprobación de la exactitud de nivelación de la línea vertical

Para la comprobación se requiere el vano de una puerta, debiéndose disponer de un espacio mínimo antes y después del mismo de 2,5 m sobre un firme consistente.

- Coloque el aparato de medición sobre un plano firme y consistente (sin emplear un trípode) a una separación de 2,5 m respecto al vano de la puerta. Seleccione el modo de operación vertical con nivelación automática. Alinee la línea láser vertical sobre la abertura de puerta y deje que se nivele el aparato de medición.



- Marque el centro de la línea láser vertical en el piso de la abertura de puerta (punto I), a 5 m de distancia al otro lado de la abertura de puerta (punto II) así como en el margen superior de la abertura de puerta (punto III).



- Gire el aparato de medición en 180° y colóquelo en el otro lado de la abertura de puerta directamente detrás del punto II. Deje que se nivele el aparato de medición y alinee la línea láser vertical de manera que su centro pase exactamente por los puntos I y II.
- Marque el centro de la línea láser en el margen superior de la abertura de puerta como punto IV.
- La diferencia  $d$  de ambos puntos III y IV marcados es la desviación de la vertical real del aparato de medición.

- Mida la altura del vano de la puerta.

Calcule la divergencia máxima admisible como sigue:

altura doble de la abertura de la puerta  $\times 0,4$  mm/m

Ejemplo: con una altura de la abertura de la puerta de 2 m, la divergencia máxima puede ascender a  $2 \times 2 \text{ m} \times \pm 0,4 \text{ mm/m} = \pm 1,6 \text{ mm}$ . Por lo tanto, los puntos III y IV pueden estar a una distancia de 1,6 mm como máximo.

### Instrucciones para la operación

- **Utilice siempre sólo el centro de la línea láser para marcar.** El ancho de la línea de láser cambia con la distancia.

### Trabajos con el trípode (acesorio)

Un trípode ofrece una base de medición estable y regulable en la altura. Coloque el aparato de medición con el alojamiento del trípode de 1/4" (3) sobre la rosca del trípode (23) o de un trípode fotográfico corriente en el comercio. Atornille firmemente el aparato de medición con los tornillos de sujeción del trípode.

Nivele el trípode de forma aproximada antes de conectar el aparato de medición.

### Fije con el soporte universal (acesorio) (ver figuras H-O)

Con la ayuda del soporte universal (13) puede fijar el aparato de medición p. ej. en superficies verticales, tubos o materiales imantables. El soporte universal es apropiado también para ser utilizado como trípode directamente sobre el suelo, ya que facilita el ajuste de altura del aparato de medición.

Para fijar el aparato de medición al soporte universal (13), enrosque firmemente el tornillo de fijación de 1/4" (15) del soporte en el alojamiento del trípode (3) del aparato de medición.

Para girar o desplazar el aparato de medición en el soporte, afloje un poco el tornillo de fijación de 1/4" (15).

En el caso de la utilización con la abrazadera de techo (14), el aparato de medición se puede mover hacia arriba y hacia abajo con el botón giratorio (17) para un ajuste fino.

Alinee el soporte universal (13) de forma aproximada antes de conectar el aparato de medición.

Con la ayuda del soporte universal (13), el aparato de medición se puede fijar de la siguiente manera:

- El soporte universal (13) (sin abrazadera de techo (14)) se puede fijar con los imanes (19) a las superficies magnetizables (figura L).
- Utilice el soporte universal (13) (sin abrazadera de techo (14)) como trípode de mesa. Para ello, coloque el soporte en el suelo y despliegue las patas estabilizadoras (20) del soporte (figura M).
- El soporte universal (13) (sin abrazadera de techo (14)) puede atornillarse a tabiques secos o madera. Para ello, introduzca un tornillo de fijación (disponible en el mercado) de una longitud mínima de 50 mm en el orificio roscado (18) del soporte y atorníllelo firmemente (figura N).

- El soporte universal (13) se puede fijar también con la ayuda de la retención (16) en la abrazadera de techo (14) en las rejillas del techo o en los rieles de la pared (figura 0).

### Gafas para láser (accesorio)

Las gafas para láser filtran la luz del entorno. Ello permite apreciar con mayor intensidad la luz del láser.

- ▶ **No utilice las gafas de visualización láser (accesorio) como gafas protectoras.** Las gafas de visualización láser sirven para detectar mejor el rayo láser; sin embargo, éstas no protegen contra la radiación láser.
- ▶ **No utilice las gafas de visualización láser (accesorio) como gafas de sol o en el tráfico.** Las gafas de visualización láser no proporcionan protección UV completa y reducen la percepción del color.

## Mantenimiento y servicio

### Mantenimiento y limpieza

Mantenga limpio siempre el aparato de medición.

No sumerja el aparato de medición en agua ni en otros líquidos.

Limpiar el aparato con un paño húmedo y suave. No utilice ningún detergente o disolvente.

Limpie con regularidad sobre todo el área en torno a la abertura de salida del láser, cuidando que no queden motas.

Almacene y transporte el aparato de medición solamente en el maletín (24).

En caso de reparación, envíe el aparato de medición en el maletín (24).

### Servicio técnico y atención al cliente

El servicio técnico le asesorará en las consultas que pueda Ud. tener sobre la reparación y mantenimiento de su producto, así como sobre piezas de recambio. Las representaciones gráficas tridimensionales e informaciones de repuestos se encuentran también bajo: [www.bosch-pt.com](http://www.bosch-pt.com)

El equipo asesor de aplicaciones de Bosch le ayuda gustosamente en caso de preguntas sobre nuestros productos y sus accesorios.

Para cualquier consulta o pedido de piezas de repuesto es imprescindible indicar el nº de artículo de 10 dígitos que figura en la placa de características del producto.

### España

Robert Bosch España S.L.U.  
Departamento de ventas Herramientas Eléctricas  
C/Hermanos García Noblejas, 19  
28037 Madrid

Para efectuar su pedido online de recambios o pedir la recogida para la reparación de su máquina, entre en la página [www.herramientasbosch.net](http://www.herramientasbosch.net).

Tel. Asesoramiento al cliente: 902 531 553

Fax: 902 531554

### Direcciones de servicio adicionales se encuentran bajo:

[www.bosch-pt.com/serviceaddresses](http://www.bosch-pt.com/serviceaddresses)

### Eliminación

La herramienta de medición, el acumulador o las pilas, los accesorios y los embalajes deberán someterse a un proceso de reciclaje que respete el medio ambiente.



¡No arroje los aparatos de medición y los acumuladores o las pilas a la basura!

### Sólo para los países de la UE:

Los aparatos de medición inservibles, así como los acumuladores/pilas defectuosos o agotados deberán acumularse por separado para ser sometidos a un reciclaje ecológico según las Directivas Europeas 2012/19/UE y 2006/66/CE, respectivamente.



El símbolo es solamente válido, si también se encuentra sobre la placa de características del producto/fabricado.

## Português

### Instruções de segurança



Devem ser lidas e respeitadas todas as instruções para trabalhar de forma segura e sem perigo com o instrumento de medição.

Se o instrumento de medição não for utilizado em conformidade com as presentes instruções, as proteções integradas no instrumento de medição podem ser afetadas. Jamais permita que as placas de advertência no instrumento de medição se tornem irreconhecíveis. CONSERVE BEM ESTAS INSTRUÇÕES E FAÇA-AS ACOMPANHAR O INSTRUMENTO DE MEDIÇÃO SE O CEDER A TERCEIROS.

- ▶ **Cuidado – O uso de dispositivos de operação ou de ajuste diferentes dos especificados neste documento ou outros procedimentos podem resultar em exposição perigosa à radiação.**
- ▶ **O instrumento de medição é fornecido com uma placa de advertência laser (identificada na figura do instrumento de medição, que se encontra na página de esquemas).**
- ▶ **Se o texto da placa de advertência laser não estiver no seu idioma, antes da primeira colocação em funcionamento, deverá colar o adesivo com o texto de advertência no seu idioma nacional sobre a placa de advertência.**



Não apontar o raio laser na direção de pessoas nem de animais e não olhar para o raio laser direto ou reflexivo. Desta forma

poderá encandear outras pessoas, causar acidentes ou danificar o olho.

- ▶ **Se um raio laser acertar no olho, fechar imediatamente os olhos e desviar a cabeça do raio laser.**
- ▶ **Não efetue alterações no dispositivo laser.**
- ▶ **Não use os óculos para laser (acessório) como óculos de proteção.** Os óculos para laser servem para ver melhor o feixe de orientação a laser; mas não protegem contra radiação laser.
- ▶ **Não use os óculos para laser (acessório) como óculos de sol ou no trânsito.** Os óculos para laser não providenciam uma proteção UV completa e reduzem a percepção de cores.
- ▶ **Só permita que o instrumento de medição seja consertado por pessoal especializado e qualificado e só com peças de reposição originais.** Desta forma é assegurada a segurança do instrumento de medição.
- ▶ **Não deixe que crianças usem o instrumento de medição laser sem vigilância.** Elas podem encandear sem querer outras pessoas ou elas mesmas.
- ▶ **Não trabalhe com o instrumento de medição em áreas com risco de explosão, onde se encontram líquidos, gases ou pó inflamáveis.** No instrumento de medição podem ser produzidas faíscas, que podem inflamar pós ou vapores.



**Não coloque os acessórios magnéticos perto de implantes e outros dispositivos médicos, como p. ex. pacemaker ou bomba de insulina.** Os ímãs dos acessórios criam um campo que pode influenciar o funcionamento de implantes ou dispositivos médicos.

- ▶ **Mantenha os acessórios magnéticos afastados de suportes de dados magnéticos e de aparelhos magneticamente sensíveis.** O efeito dos ímãs dos acessórios pode causar perdas de dados irreversíveis.

## Descrição do produto e do serviço

Respeite as figuras na parte da frente do manual de instruções.

### Utilização adequada

O instrumento de medição destina-se a determinar e verificar linhas horizontais e verticais.

O instrumento de medição é apropriado para a utilização em áreas interiores.

### Componentes ilustrados

A numeração dos componentes ilustrados refere-se à apresentação do instrumento de medição na página de esquemas.

- (1) Abertura para saída do raio laser
- (2) Interruptor de ligar/desligar
- (3) Suporte de tripé 1/4"

- (4) Número de série
- (5) Placa de advertência laser
- (6) Tampa do compartimento da pilha
- (7) Travamento da tampa do compartimento da pilha
- (8) Tecla imobilização pendular **Lock**
- (9) Tecla para o modo de operação laser **Mode**
- (10) Aviso de nivelamento
- (11) Indicação do modo de operação laser
- (12) Indicação da imobilização pendular
- (13) Suporte universal<sup>A)</sup>
- (14) Grampo de teto do suporte<sup>A)</sup>
- (15) Parafuso de 1/4" do suporte<sup>A)</sup>
- (16) Travamento do grampo do teto<sup>A)</sup>
- (17) Botão giratório do grampo do teto<sup>A)</sup>
- (18) Orifício de aparafusar do suporte<sup>A)</sup>
- (19) Ímã<sup>A)</sup>
- (20) Estribo de estabilização do suporte<sup>A)</sup>
- (21) Óculos para laser<sup>A)</sup>
- (22) Painel de objetivo laser<sup>A)</sup>
- (23) Tripé<sup>A)</sup>
- (24) Mala<sup>A)</sup>

A) **Acessórios apresentados ou descritos não pertencem ao volume de fornecimento padrão. Todos os acessórios encontram-se no nosso programa de acessórios.**

## Dados técnicos

Laser de linhas cruzadas		GLL 2-20
Número de produto	<b>3 601 K63 J00</b>	
Raio de ação (diâmetro) até aprox. <sup>A)</sup>	20 m	
Precisão de nivelamento <sup>B)C)</sup>	±0,4 mm/m	
Gama de autonivelamento típica	±4°	
Tempo de nivelamento, tipicamente	4 s	
Temperatura operacional	+5 °C ... +40 °C	
Temperatura de armazenamento	-20 °C ... +70 °C	
Altura máx. de utilização acima da altura de referência	2000 m	
Humidade relativa máx.	90 %	
Grau de sujidade de acordo com a IEC 61010-1	2 <sup>D)</sup>	
Classe de laser	2	
Tipo de laser	< 1 mW, 630–650 nm	
C <sub>6</sub>	1	
Divergência	1,5 mrad	
Encaixe do tripé	1/4"	
Pilhas	4 × 1,5 V LR6 (AA)	
Baterias	4 × 1,2 V HR6 (AA)	



Laser de linhas cruzadas	GLL 2-20
Duração de funcionamento aprox.	12 h
Peso conforme EPTA-Procedure 01:2014	0,38 kg
Dimensões (comprimento × largura × altura)	85 × 70 × 125 mm

- A) O raio de ação pode ser reduzido por condições ambiente desfavoráveis (por exemplo radiação solar direta).
- B) a **20-25 °C**
- C) Os valores indicados pressupõem condições ambiente normais a favoráveis (p. ex. ausência de vibração, nevoeiro, fumo, radiação solar direta). Após fortes oscilações de temperatura podem ocorrer desvios de precisão.
- D) Só surge sujidade não condutora, mas ocasionalmente é esperada uma condutividade temporária causada por condensação.

Para uma identificação inequívoca do seu instrumento de medição, consulte o número de série **(4)** na placa de identificação.

## Montagem

### Colocar/trocar pilhas

Para o funcionamento do instrumento de medição é recomendável usar pilhas alcalinas de manganés ou baterias.

Para abrir a tampa do compartimento das pilhas **(6)** prima o bloqueio **(7)** e abra a tampa. Insira as pilhas ou baterias.

Tenha atenção à polaridade correta, de acordo com a representação no interior da tampa do compartimento das pilhas **(6)**.

Sempre substituir todas as pilhas ou as baterias ao mesmo tempo. Só utilizar pilhas ou as baterias de um só fabricante com a mesma capacidade.

- ▶ **Retire as pilhas ou as baterias do instrumento de medição se não o for usar durante um período de tempo prolongado.** As pilhas e as baterias podem corroer-se ou descarregar-se no caso de um armazenamento prolongado.

## Funcionamento

### Colocação em funcionamento

- ▶ **Proteja o instrumento de medição da humidade e da radiação solar direta.**
- ▶ **Não exponha o instrumento de medição a temperaturas extremas ou oscilações de temperatura.** Não os deixe, p. ex., ficar durante muito tempo no automóvel. No caso de oscilações de temperatura maiores, deixe o instrumento de medição atingir a temperatura ambiente e proceda sempre a uma verificação de precisão antes de continuar a trabalhar (ver "Controlo de exatidão do instrumento de medição", Página 26). No caso de temperaturas ou de oscilações de temperatura extremas é possível que a precisão do instrumento de medição seja prejudicada.

- ▶ **Evite quedas ou embates violentos com o instrumento de medição.** Após severas influências externas no instrumento de medição, recomendamos que se proceda a um controlo de exatidão antes de prosseguir (ver "Controlo de exatidão do instrumento de medição", Página 26).

- ▶ **Desligue o instrumento de medição quando o transporta.** A unidade pendular é bloqueada logo que o instrumento for desligado, caso contrário poderia ser danificado devido a fortes movimentos.

### Ligar/desligar

Para **ligar** o instrumento de medição, desloque o interruptor de ligar/desligar **(2)** para a posição **"On"**. Imediatamente após a ligação, o instrumento de medição projeta linhas laser a partir dos pontos de saída **(1)**.

- ▶ **Não apontar o raio de laser na direção de pessoas nem de animais e não olhar no raio laser, nem mesmo de maiores distâncias.**

Para **desligar** o instrumento de medição, desloque o interruptor de ligar/desligar **(2)** para a posição **Off**. Ao desligar, a unidade pendular bloqueia.




- ▶ **Não deixe o instrumento de medição ligado sem vigilância e desligue o instrumento de medição após utilização.** Outras pessoas poderiam ser cegadas pelo raio laser.

### Modos de operação

Depois de ligado, o instrumento de medição encontra-se no modo de operação com linhas cruzadas com sistema de nivelamento automático.

Para trocar de modo de operação, prima a tecla para o modo de operação laser **Mode (9)**, até o modo de operação desejado ser indicado através da respetiva indicação **(11)**.

Estão disponíveis os seguintes tipos de funcionamento:

Indicação	Modo de operação
	<b>Modo de operação com linhas cruzadas</b> (ver figuras <b>A</b> , <b>B</b> e <b>E</b> ): o instrumento de medição cria uma cota do laser horizontal (linha laser em toda a volta 360°) e uma linha laser vertical.
	<b>Modo operação horizontal</b> (ver figura <b>C</b> ): o instrumento de medição cria uma cota do laser horizontal.
	<b>Modo operação vertical</b> (ver figura <b>D</b> ): o instrumento de medição cria uma cota do laser vertical.

Todos os modos de operação podem ser selecionados com nivelamento automático e com imobilização pendular.

### Nivelamento automático

#### Trabalhar com o nivelamento automático (ver figuras **F-G**)

Ao trabalhar com o nivelamento automático, a indicação da imobilização pendular **(12)** não pode estar acesa. Se

necessário ligue de novo o nivelamento automático premindo a tecla para a função de imobilização pendular **Lock (8)** para que a indicação da imobilização pendular se apague.

Coloque o instrumento de medição sobre uma base firme e horizontal, ou fixe-o no suporte **(13)** ou no tripé **(23)**.

O nivelamento automático elimina automaticamente desníveis dentro da gama de autonivelamento de  $\pm 4^\circ$ . O nivelamento está concluído, assim que as linhas laser deixaram de se mexer.

Se não for possível efetuar o nivelamento automático, p. ex. porque a superfície de apoio do instrumento de medição se desvia mais de  $4^\circ$  do plano horizontal, o aviso de nivelamento **(10)** acende-se a vermelho e o laser desliga-se automaticamente.

Neste caso, coloque o instrumento de medição na horizontal e espere pelo autonivelamento. Assim que o instrumento de medição se encontrar de novo na área de autonivelamento de  $\pm 4^\circ$ , o aviso de nivelamento **(10)** e o laser é ligado.

Fora da área de autonivelamento de  $\pm 4^\circ$  não é possível trabalhar com nivelamento automático, uma vez que não é possível garantir, que as linhas laser decorram em ângulo reto entre elas.

Em caso de vibrações ou de alteração da posição durante o funcionamento, o instrumento de medição volta a ser nivelado automaticamente. Após um novo nivelamento, verificar a posição horizontal ou vertical das linhas de laser relativamente aos pontos de referência para evitar erros, deslocando o instrumento de medição.

#### Trabalhar com imobilização pendular (ver figura E)

Para trabalhar com a função de imobilização pendular pressione a tecla para imobilização pendular **Lock (8)**. Com a imobilização pendular ligada, a indicação da imobilização pendular acende-se a **(12)** vermelho.

Ao trabalhar com imobilização pendular, o nivelamento automático está desligado. Pode segurar o instrumento de medição de forma livre na mão ou colocá-lo numa base inclinada. As linhas laser deixam de estar niveladas e de se mover obrigatoriamente perpendiculares entre elas.

#### Controlo de exatidão do instrumento de medição

##### Influências sobre a precisão

A maior influência é exercida pela temperatura ambiente. Especialmente a partir do solo, as diferenças de temperatura podem distrair o raio laser.

Uma vez que a estratificação térmica é superior junto ao solo, se possível, o instrumento de medição deve ser montado no tripé e colocado no centro da superfície de trabalho.

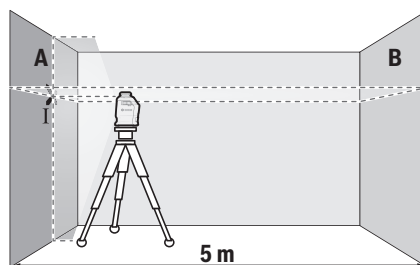
Para além das influências externas, também as influências específicas do aparelho (como p. ex. quedas ou pancadas fortes) podem causar desvios. Verifique, por isso, a precisão de nivelamento antes de iniciar o trabalho.

Se o instrumento de medição ultrapassar a divergência máxima num dos controlos, deverá ser reparado por um serviço pós-venda **Bosch**.

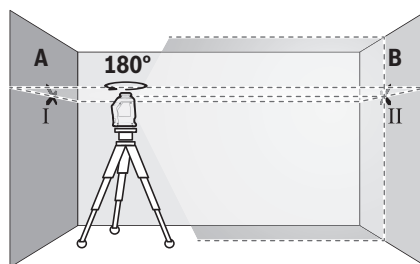
#### Verificar a precisão do nivelamento da linha laser horizontal do eixo transversal

Para o controlo é necessário um trajeto de medição **5 m** livre de obstáculos, sobre solo firme entre duas paredes A e B.

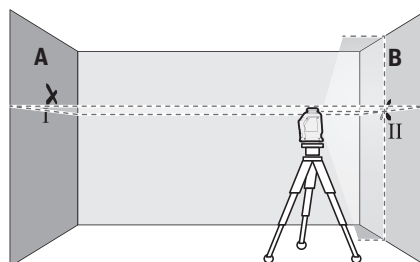
- Montar o instrumento de medição próximo à parede A, sobre um tripé ou colocá-lo sobre uma superfície firme e plana. Ligue o instrumento de medição. Selecione o modo de operação linhas cruzadas com nivelamento automático.



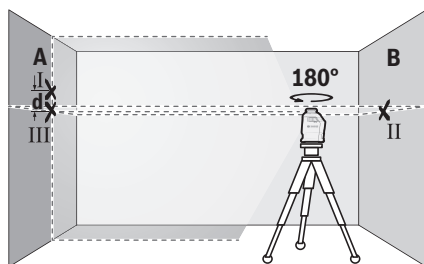
- Apontar o laser para a parede A próxima e permitir que o instrumento de medição possa se nivelar. Marque o centro do ponto onde as linhas laser se cruzam na parede (ponto I).



- Rode o instrumento de medição em  $180^\circ$ , deixe-o nivelar e marque o ponto de cruzamento das linhas laser na parede oposta B (ponto II).
- Posicione o instrumento de medição – sem o rodar – próximo da parede B, ligue-o e deixe-o nivelar.



- Alinhe o instrumento de medição em altura (com a ajuda do tripé ou colocando algo por baixo) de forma a que o ponto de cruzamento das linhas laser acerte precisamente no ponto II anteriormente marcado na parede B.



- Rode o instrumento de medição em 180°, sem alterar a altura. Alinhe-o na parede A, de forma a que a linha laser vertical passe pelo ponto I já marcado. Deixe o instrumento de medição nivelar-se e marque o ponto de cruzamento das linhas laser na parede A (ponto III).
- Da diferença **d** dos dois pontos marcados I e III na parede A resulta o desvio de altura real do instrumento de medição.

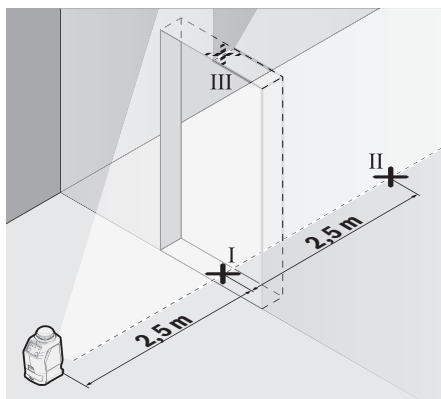
Com um trajeto de medição de  $2 \times 5 \text{ m} = 10 \text{ m}$  desvio máximo permitido é de:

$10 \text{ m} \times \pm 0,4 \text{ mm/m} = \pm 4 \text{ mm}$ . A diferença **d** entre os pontos I e II só pode ser no máximo de 4 mm.

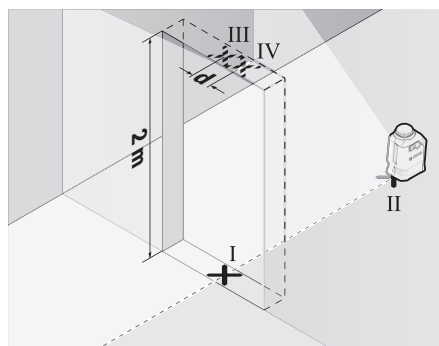
#### Verificar a precisão de nivelamento da linha vertical

Para o nivelamento é necessário um vão de porta, com no mínimo 2,5 m de espaço de cada lado do vão (sobre chão firme).

- Coloque o instrumento de medição a uma distância de 2,5 m do vão da porta sobre uma superfície firme e plana (não num tripé). Seleccione o modo de operação vertical com nivelamento automático. Oriente a linha laser vertical para a abertura da porta e deixe o instrumento de medição executar o nivelamento.



- Marque o meio da linha vertical no chão do vão da porta (ponto I), a 5 m de distância no outro lado do vão da porta (ponto II) assim como no rebordo superior do vão da porta (ponto III).



- Rode o instrumento de medição em 180° e coloque-o no outro lado do vão da porta diretamente por trás do ponto II. Deixe o instrumento de medição nivelar-se e alinhe a linha laser vertical de forma a que o seu centro passe exatamente pelos pontos I e II.
- Marque o centro da linha laser no rebordo superior do vão da porta como ponto IV.
- Da diferença **d** dos dois pontos marcados III e IV resulta o desvio real do instrumento de medição do plano vertical.
- Medir a altura do vão de porta.

O desvio máximo permitido é calculado da seguinte maneira: altura dupla da abertura da porta  $\times 0,4 \text{ mm/m}$

Exemplo: numa altura de abertura de porta de 2 m o desvio máximo pode ser

$2 \times 2 \text{ m} \times \pm 0,4 \text{ mm/m} = \pm 1,6 \text{ mm}$ . Os pontos III e IV podem encontrar-se separados no máximo 1,6 mm entre si.

#### Instruções de trabalho

- Use sempre apenas o centro da linha laser para marcar. A largura da linha laser altera-se com a distância.

#### Trabalhar com um tripé (acessório)

Um tripé assegura uma base de medição estável e ajustável em altura. Coloque o instrumento de medição com o suporte de tripé der 1/4" (3) na rosca do tripé (23) ou num tripé de máquina fotográfica convencional. Fixe o instrumento de medição com o parafuso de fixação do tripé.

Alinhar aproximadamente o tripé antes de ligar o instrumento de medição.

#### Fixar com um suporte universal (acessório) (ver figuras H-0)

Com a ajuda do suporte universal (13) pode fixar o instrumento de medição por exemplo em superfícies verticais, tubos ou materiais magnetizáveis. O suporte universal também é apropriado como tripé de chão e facilita o alinhamento de altura do instrumento de medição.

Para a fixação do instrumento de medição no suporte universal (13) aperte o parafuso 1/4" (15) do suporte de tripé (3) no instrumento de medição.

Para rodar ou deslocar o instrumento de medição no suporte solte ligeiramente o parafuso 1/4" (15).

Na utilização do grampo do teto (14) o instrumento pode ser deslocado para cima e para baixo para o ajuste fino com o botão giratório (17).

Alinhe aproximadamente o suporte universal (13), antes de ligar o instrumento de medição.

Com a ajuda do suporte universal (13) pode fixar o instrumento de medição da seguinte forma:

- O suporte universal (13) (sem grampo do teto (14)) pode ser fixado com os ímãs (19) nas superfícies magnetizáveis (figura L).
- Use o suporte universal (13) (sem grampo de teto (14)) como tripé de mesa. Para isso coloque o suporte no chão e abra o estribo de estabilização (20) do suporte (figura M).
- O suporte universal (13) (sem grampo de teto (14)) pode ser aparafusado em muros secos ou madeira. Para isso, use um parafuso de fixação (convencional) com um comprimento de pelo menos 50 mm no orifício de aparafusar (18) do suporte e aperte-o (figura N).
- O suporte universal (13) também pode ser fixado com a ajuda do travamento (16) no grampo do teto (14) na calha do teto ou da parede (figura O).

#### Óculos de visualização de raio laser (acessórios)

Os óculos de visualização de raio laser filtram a luz ambiente. Com isto a luz do laser parece mais clara para os olhos.

- ▶ **Não use os óculos para laser (acessório) como óculos de proteção.** Os óculos para laser servem para ver melhor o feixe de orientação a laser; mas não protegem contra radiação laser.
- ▶ **Não use os óculos para laser (acessório) como óculos de sol ou no trânsito.** Os óculos para laser não providenciam uma proteção UV completa e reduzem a percepção de cores.

## Manutenção e assistência técnica

### Manutenção e limpeza

Manter o instrumento de medição sempre limpo.

Não mergulhar o instrumento de medição na água ou em outros líquidos.

Limpar sujidades com um pano húmido e macio. Não utilize detergentes ou solventes.

Limpe particularmente as áreas na abertura de saída do laser com regularidade e certifique-se de que não existem fiapos.

Armazene e transporte o instrumento de medição apenas na mala (24).

Envie o instrumento de medição em caso de reparação na mala (24).

### Serviço pós-venda e aconselhamento

O serviço pós-venda responde às suas perguntas a respeito de serviços de reparação e de manutenção do seu produto, assim como das peças sobressalentes. Desenhos explodidos

e informações acerca das peças sobressalentes também em: [www.bosch-pt.com](http://www.bosch-pt.com)

A nossa equipa de consultores Bosch esclarece com prazer todas as suas dúvidas a respeito dos nossos produtos e acessórios.

Indique para todas as questões e encomendas de peças sobressalentes a referência de 10 dígitos de acordo com a placa de características do produto.

#### Portugal

Robert Bosch LDA  
Avenida Infante D. Henrique  
Lotes 2E – 3E  
1800 Lisboa  
Para efetuar o seu pedido online de peças entre na página [www.ferramentasbosch.com](http://www.ferramentasbosch.com).  
Tel.: 21 8500000  
Fax: 21 8511096

#### Encontra outros endereços da assistência técnica em:

[www.bosch-pt.com/serviceaddresses](http://www.bosch-pt.com/serviceaddresses)

#### Eliminação

Os instrumentos de medição, baterias/pilhas, acessórios e embalagens devem ser enviados a uma reciclagem ecológica de matéria-prima.



Não deite o instrumento de medição e as baterias/pilhas no lixo doméstico!

#### Apenas para países da UE:

Conforme a Diretiva Europeia 2012/19/UE relativa aos resíduos de instrumentos de medição europeias 2006/66/CE é necessário recolher separadamente as baterias/as pilhas defeituosas ou gastas e encaminhá-las para uma reciclagem ecológica.

## Türkçe

### Güvenlik talimatı



**Ölçme cihazı ile tehlikesiz ve güvenli biçimde çalışabilmek için bütün güvenlik talimatı ve uyarılar okunmalıdır. Ölçme cihazı bu güvenlik talimatına uygun olarak**

**kullanılmazsa, ölçme cihazına entegre koruyucu donanımların işlevi kısıtlanabilir. Ölçme cihazı üzerindeki uyarı etiketlerini hiçbir zaman görünmez duruma getirmeyin. BU TALİMATLARI İYİ VE GÜVENLİ BİR YERDE SAKLAYIN VE ÖLÇME CİHAZINI BAŞKASINA VERDİĞİNİZDE BUNLARI DA BİRLİKTE VERİN.**

- ▶ **Dikkat – Burada anılan kullanım ve ayar donanımlarından farklı donanımlar veya farklı yöntemler kullanıldığı takdirde, tehlikeli ışın yayılımına neden olunabilir.**

- Bu ölçme cihazı bir lazer uyarı etiketi ile teslim edilir (ölçme cihazının resminin bulunduğu grafik sayfasında gösterilmektedir).
- Lazer uyarı etiketindeki metin kendi dilinizde değilse, ilk kullanımdan önce cihaz ekinde teslim edilen kendi dilinizdeki lazer uyarı etiketini mevcut lazer uyarı etiketi üzerine yapıştırın.



Lazer ışığını başkalarına veya hayvanlara doğrultmayın ve doğrudan gelen veya yansıyan lazer ışınına bakmayın. Aksi takdirde başkalarının gözünü kamaştırabilir, kazalara neden olabilir veya gözlerde hasara neden olabilirsiniz.

- Lazer ışını gözünüze gelecek olursa gözlerinizi bilinçli olarak kapatın ve hemen başınızı başka tarafa çevirin.
- Lazer donanımında hiçbir değişiklik yapmayın.
- Lazer gözlüğünü (aksesuar) koruyucu gözlük olarak kullanmayın. Lazer gözlüğü lazer ışınının daha iyi görülmesini sağlar, ancak lazer ışınına karşı koruma sağlamaz.
- Lazer gözlüğünü (aksesuar) güneş gözlüğü olarak veya trafikte kullanmayın. Lazer gözlüğü kızılötesi ışınlarla karşı tam bir koruma sağlamaz ve renk algılama performansını düşürür.
- Ölçme cihazının sadece kalifiye uzman personel tarafından ve orijinal yedek parçalarla onarılmasını sağlayın. Bu sayede ölçme cihazının güvenliğini sağlarsınız.
- Çocukların kontrolünüz dışında lazerli ölçme cihazını kullanmasına izin vermeyin. İstmeden de olsa kendi gözlerinizin veya başkalarının gözlerinin kamaşmasına neden olabilirsiniz.
- Ölçme cihazı ile içinde yanıcı sıvılar, gazlar veya tozlar bulunan patlama riski bulunan ortamlarda çalışmayın. Ölçme cihazı içinde tozu veya buharları tutuşturabilecek kıvılcıklar oluşabilir.



Manyetik aksesuarları, implantlara ve kalp pili veya insülin pompası gibi özel tıbbi cihazlara yaklaştırmayın. Aksesuarların mıknatısları, implantların ve tıbbi cihazların fonksiyonlarını olumsuz yönde etkileyebilecek bir alan oluşturur.

- Manyetik aksesuarları manyetik veri taşıyıcılardan ve manyetik etkilere karşı hassas olan cihazlardan uzak tutun. Aksesuarlardaki mıknatısların etkisi ile geri dönüşü mümkün olmayan veri kayıpları ortaya çıkabilir.

## Ürün ve performans açıklaması

Lütfen kullanma kılavuzunun ön kısmındaki resimlere dikkat edin.

### Usulüne uygun kullanım

Bu ölçme cihazı yatay ve dikey çizgilerin belirlenmesi ve kontrol edilmesi için tasarlanmıştır.

Bu ölçüm aleti, iç mekanlardaki kullanımlara uygundur.

## Şekli gösterilen elemanlar

Şekli gösterilen elemanların numaraları ile grafik sayfasındaki ölçme cihazı resmindeki numaralar aynıdır.

- (1) Lazer ışını çıkış deliği
- (2) Açma/kapama şalteri
- (3) Tripod girişi 1/4"
- (4) Seri numarası
- (5) Lazer uyarı etiketi
- (6) Pil haznesi kapağı
- (7) Pil haznesi kapağı kilidi
- (8) Salınım sabitlemesi tuşu **Lock**
- (9) Lazer modu tuşu **Mode**
- (10) Nivelman uyarısı
- (11) Lazer işletim türü göstergesi
- (12) Salınım sabitlemesi göstergesi
- (13) Universal tutucu düzeneği<sup>A)</sup>
- (14) Tutucu düzeneği tavan kıskacı<sup>A)</sup>
- (15) Tutucu düzeneği 1/4" vidası<sup>A)</sup>
- (16) Tavan kıskacı kilidi<sup>A)</sup>
- (17) Tavan kıskacı döner düğmesi<sup>A)</sup>
- (18) Tutucu düzeneği vidalama deliği<sup>A)</sup>
- (19) Mıknatıs<sup>A)</sup>
- (20) Tutucu düzeneği sabitleme ayakları<sup>A)</sup>
- (21) Lazer gözlüğü<sup>A)</sup>
- (22) Lazer hedef tahtası<sup>A)</sup>
- (23) Tripod<sup>A)</sup>
- (24) Çanta<sup>A)</sup>

A) Şekli gösterilen veya tanımlanan aksesuar standart teslimat kapsamında değildir. Aksesuarın tümünü aksesuar programımızda bulabilirsiniz.

## Teknik veriler

Çapraz çizgi lazeri	GLL 2-20
Malzeme numarası	<b>3 601 K63 J00</b>
Çalışma alanı (çap) azami yakl. <sup>A)</sup>	20 m
Nivelman hassasiyeti <sup>B)</sup> <sup>C)</sup>	±0,4 mm/m
Standart otomatik nivelman aralığı	±4°
Standart nivelman süresi	4 sn
İşletme sıcaklığı	+5 °C ... +40 °C
Saklama sıcaklığı	-20 °C ... +70 °C
Referans yükseklik üzerinde maks. uygulama yüksekliği	2000 m
Bağıl hava nemi maks.	%90
IEC 61010-1 uyarınca kirlenme derecesi	2 <sup>D)</sup>
Lazer sınıfı	2
Lazer tipi	< 1 mW, 630–650 nm
C <sub>6</sub>	1

Çapraz çizgi lazeri	GLL 2-20
İraksama	1,5 mrad
Tripod girişi	1/4"
Piller	4 × 1,5 V LR6 (AA)
Aküler	4 × 1,2 V HR6 (AA)
İşletme süresi, yakl.	12 sa
Ağırlığı EPTA-Procedure 01:2014 uyarınca	0,38 kg
Ölçüleri (uzunluk × genişlik × yükseklik)	85 × 70 × 125 mm

- A) Çalışma alanı elverişsiz ortam koşulları nedeniyle (örneğin doğrudan gelen güneş ışığı) azalabilir.
- B) 20–25 °C'de
- C) Belirtilen değerler normal ila en uygun ortam koşullarını şart koşar (örneğin titreşim, sis, duman, direkt güneş ışını bulunmayacaktır). Aşırı sıcaklık değişikliklerinde hassaslık sapmaları meydana gelebilir.
- D) Zaman zaman yoğunlaşma nedeniyle iletkenlik görülebilmesine rağmen, sadece iletken olmayan bir kirlelenme ortaya çıkar.

Tip etiketi üzerindeki seri numarası (4) ölçme cihazınızın kimliğinin belirlenmesine yarar.

## Montaj

### Pillerin takılması/değiştirilmesi

Ölçüm aletinin çalıştırılması için Alkali-Mangan pillerin veya akülerin kullanılması önerilir.

Pil haznesi kapağını (6) açmak için kilide (7) basın ve pil haznesi kapağını yukarı kaldırın. Pilleri veya aküleri yerlerine yerleştirin.

Bu esnada pil gözü kapağının (6) iç kısmındaki şekle bakarak doğru kutuplama yapın.

Tüm pilleri veya aküleri her zaman aynı anda değiştirin. Sadece aynı üreticiye ait veya aynı kapasitede piller veya aküler kullanın.

- **Uzun süre kullanılmayacak pilleri veya aküleri ölçüm aletinden çıkarın.** Piller ve aküler, uzun süre kullanım dışı kaldıklarında korozyona uğrayabilir ve kendiliğinden deşarj olabilir.

## İşletim

### Çalıştırma

- **Ölçme cihazını nemden ve doğrudan gelen güneş ışınından koruyun.**
- **Ölçme cihazını aşırı sıcaklıklara veya sıcaklık dalgalanmalarına maruz bırakmayın.** Örneğin cihazı uzun süre otomobil içinde bırakmayın. Aşırı büyük sıcaklık farkları olduğunda ölçüm cihazının önce ortam sıcaklığına gelmesini sağlayın ve çalışmaya devam etmeden önce daima hassaslık kontrolü yapın (Bakınız „Ölçme cihazının hassaslık kontrolü“, Sayfa 31).
- **Aşırı sıcaklıklarda veya sıcaklık dalgalanmalarında ölçme cihazının hassaslığı olumsuz yönde etkilenebilir.**

- **Ölçme cihazını şiddetli çarpma ve düşmelere karşı koruyun.** Ölçme cihazına dışarıdan şiddetli etki olduğunda, çalışmaya devam etmeden önce daima bir hassaslık kontrolü yapmalısınız (Bakınız „Ölçme cihazının hassaslık kontrolü“, Sayfa 31).
- **Taşırken ölçme cihazını kapatın.** Kapama işleminde pandül ünitesi kilitlenir, aksi takdirde cihaz şiddetli hareketlerde hasar görebilir.

### Açma/kapama

Ölçüm aletini **açmak** için açma/kapama şalterini (2) "On" pozisyonuna itin. Ölçüm aleti açıldıktan hemen sonra çıkış deliklerinden (1) lazer çizgileri gönderir.

- **Lazer ışınını başkalarına veya hayvanlara doğrultmayın ve uzak mesafeden de olsa lazer ışınını bakmayın.**

Ölçme cihazını **kapatmak** için açma/kapama şalterini (2) Off pozisyonuna itin. Cihaz kapanınca pandül birimi kilitlenir.

- **Açık bulunan ölçme cihazını kontrolünüz dışında bırakmayan ve kullandıktan sonra ölçme cihazını kapatın.** Başkalarının gözü lazer ışını ile kamaşabilir.




Enerjiden tasarruf etmek için ölçüm aletini sadece kullandığınız zamanlar açın.

### İşletim türleri

Açıldıktan sonra ölçüm aleti nivelman otomatikli çapraz çizgili işletimde bulunur.

İşletim türünü değiştirmek için lazer işletim türü tuşuna **Mode (9)**, istediğiniz işletim türü ilgili lazer işletim türü göstergesi (11) tarafından gösterilinceye kadar tekrar tekrar basın.

Şu işletim türlerini seçebilirsiniz:

Gösterge	Çalışma modu
	<b>Çapraz çizgili işletim</b> (bkz. Resimler <b>A, B</b> ve <b>E</b> ): Ölçüm aleti yatay bir lazer düzlemi (360° dönen lazer çizgisi) ve dikey bir lazer çizgisi oluşturur.
	<b>Yatay işletim</b> (bkz. Resim <b>C</b> ): Ölçüm aleti yatay bir lazer düzlemi oluşturur.
	<b>Dikey işletim</b> (bkz. Resim <b>D</b> ): Ölçüm aleti dikey bir lazer çizgisi oluşturur.

Bütün işletme türleri hem nivelman otomatigi ile hem de salınım sabitlemesi ile seçilebilir.

### Nivelman otomatigi

#### Nivelman otomatigi ile çalışma (Bkz. Resimler F–G)

Nivelman otomatigi ile çalışma sırasında salınım sabitlemesi göstergesi (12) yanmamalıdır. Gerekirse salınım sabitlemesi göstergesinin sönmesi için salınım sabitlemesi tuşuna **Lock (8)** basarak nivelman otomatigini yeniden çalıştırın.

Ölçüm aletini yatay, sert bir zemine yerleştirin, çok amaçlı mesnede (13) veya tripoda (23) sabitleyin.

Nivelman otomatigi (otomatik nivelman fonksiyonu) ±4"lik otomatik nivelman alanındaki sapmaları dengeler. Lazer

çizgileri hareketsiz duruma geldiğinde nivelman tamamlanmış demektir.

Otomatik nivelman mümkün değilse, örneğin ölçüm aletinin bulunduğu yüzey, yatay konumdan  $4^\circ$ 'den fazla saptırıyorsa nivelman uyarısı (10) kırmızı yanar ve lazer otomatik olarak kapatılır.

Bu gibi durumlarda ölçüm aletini yatay olarak yerleştirin ve otomatik nivelmanın tamamlanmasını bekleyin. Ölçüm aleti tekrar  $\pm 4^\circ$  otomatik nivelman aralığı içine gelince nivelman uyarısı (10) söner ve lazer açılır.

Lazer ışınlarına yönelik nivelman hassasiyetinin ve lazer ışınları arasındaki sağ açının sağlanamaması nedeniyle  $\pm 4^\circ$  değerindeki otomatik nivelman aralığının dışında, nivelman otomatigiyle çalışmak mümkün değildir.

İşletme esnasındaki sarsıntılarda veya konum değişikliklerinde ölçüm aleti tekrar otomatik olarak nivelman yapar. Yeniden yapılan nivelmandan sonra, ölçüm aletinin kaymasından kaynaklanan hatalardan kaçınmak için, referans noktalarını temel olarak yatay veya dikey lazer çizgisinin pozisyonunu kontrol edin.

#### Salınım sabitlemesi ile çalışma (bkz. Resim E)

Salınım sabitlemesi ile çalışmak için salınım sabitlemesi tuşuna **Lock (8)** basın. Salınım sabitlemesi açıkken salınım sabitlemesi göstergesi (12) kırmızı renkte yanar.

Salınım sabitlemesi ile çalışırken nivelman otomatigi kapalıdır. Ölçme cihazını serbestçe elinizde tutabilirsiniz veya eğimli bir zemine yerleştirebilirsiniz. Bu durumda lazer çizgilerinin nivelman ayarı yapılmaz ve zorunlu olarak birbirine dik seyretmez.

#### Ölçme cihazının hassaslık kontrolü

##### Hassaslık üzerine olan etkiler

En büyük etkiyi ortam sıcaklığı yapar. Özellikle zeminden yukarı doğru seyreden sıcaklık farkları lazer ışınını saptırabilir.

Sıcaklık tabakalaşması zemine yakın yerlerde en fazla olduğu için, mümkünse ölçüm aletini bir tripoda takmanız ve çalışma alanının ortasına yerleştirmeniz gerekir.

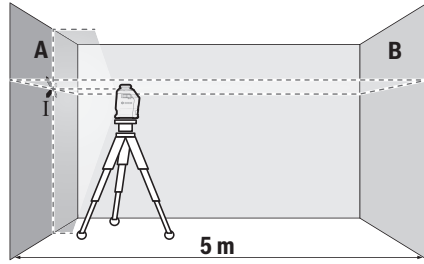
Dış etkiler yanında cihaza özgü etkiler de (örneğin düşme veya şiddetli çarpmalar) sapmalara neden olabilir. Bu nedenle çalışma başlamadan önce her defasında nivelman hassaslığını kontrol edin.

Yaptığınız kontrollerde ölçüm aleti maksimum sapma sınırını aşacak olursa, cihazı bir **Bosch** müşteri hizmetine onarım gönderin.

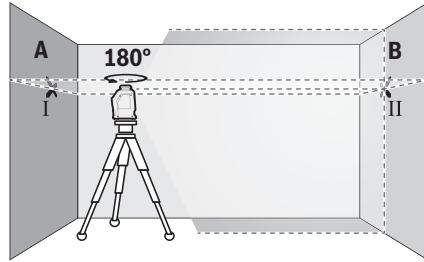
##### Çapraz eksenin yatay nivelman hassaslığının kontrolü

Bu kontrol işlemi için A ve B duvarları arasında 5 m'lik serbest bir ölçme hattına ihtiyacınız vardır.

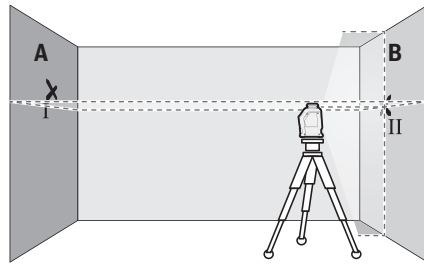
- Ölçüm aletini A duvarının yakınında bir tripoda monte edin veya sert, düz bir zemine yerleştirin. Ölçüm aletini açın. Nivelman otomatigi olan çapraz hat işletimini seçin.



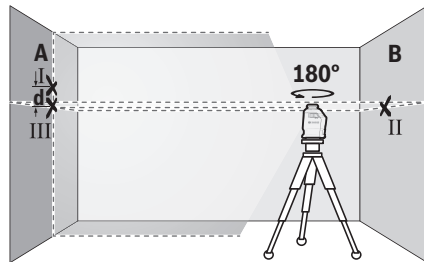
- Lazeri A duvarına yakın olarak doğrultun ve ölçme cihazının nivelman yapmasını bekleyin. Lazer ışınlarının duvarda kesiştiği noktanın ortasını işaretleyin (Nokta I).



- Ölçme cihazını  $180^\circ$  çevirin, nivelman yapmasını bekleyin ve karşı duvarda B lazer ışınlarının kesiştiği noktayı işaretleyin (Nokta II).
- Ölçme cihazını – çevirmeden – B duvarının yakınına yerleştirin, cihazı açın ve nivelman yapmasını bekleyin.



- Ölçme cihazının yüksekliğini (tripot yardımı ile ve gerekiyorsa besleyerek) lazer çizgilerinin kesiştiği nokta tam olarak B duvarında işaretlenen Nokta II'ye denk gelecek biçimde ayarlayın.

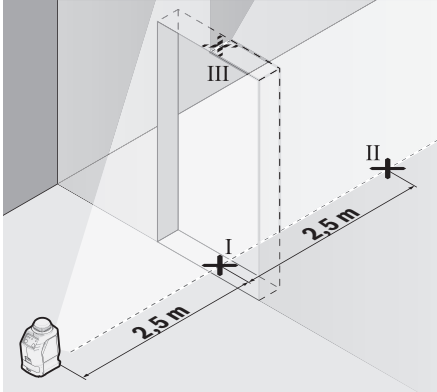


- Yüksekliği değiştirmeden, ölçme cihazını 180° çevirin. Cihazı A duvarına, dikey lazer ışını işaretlenen Nokta I'den geçecek biçimde doğrultun. Ölçme cihazının nivelman yapmasını bekleyin ve A duvarında lazer ışınlarının kesiştiği noktayı işaretleyin (Nokta III).
- A duvarında işaretlenen I ve III noktaları arasındaki **d** farkı, ölçme cihazının gerçek yükseklik sapmasını verir.  $2 \times 5 \text{ m} = 10 \text{ m}$  ölçüm hattında izin verilen maksimum sapma:  $10 \text{ m} \times \pm 0,4 \text{ mm/m} = \pm 4 \text{ mm}$ . Nokta I ve II arasındaki **d** farkı en fazla 4 mm olmalıdır.

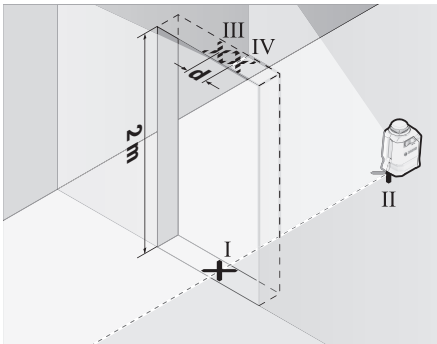
#### Dikey ışın nivelman hassasiyetinin kontrol edilmesi

Bu kontrol işlemi için her iki tarafında en azından 2,5 m yer olan bir kapı aralığına (sert zemin üzerinde) ihtiyacınız vardır.

- Ölçüm aletini kapı aralığından 2,5 m mesafeye sert ve düz bir zemine yerleştirin (tripoda değil). Nivelman otomatığı olan dikey modu seçin. Dikey lazer çizgisini kapı açıklığına doğrultun ve ölçüm aletinin nivelman yapmasını bekleyin.



- Kapı aralığı zemindeki dikey lazer çizgisinin ortasını işaretleyin (Nokta I), kapı aralığının diğer tarafında 5 m mesafedeki noktayı (Nokta II) ve kapı aralığı üst kenarındaki noktayı (Nokta III) işaretleyin.



- Ölçme cihazını 180° çevirin ve kapı aralığının diğer tarafında doğrudan Nokta II'nin arkasına yerleştirin.

Ölçme cihazının nivelman yapmasını bekleyin ve dikey lazer ışını, Nokta I ve Nokta II'den geçecek biçimde doğrultun.

- Kapı aralığı üst kenarında lazer ışınının ortasını Nokta IV olarak işaretleyin.
- İşaretlenen III ve IV noktaları arasındaki **d** farkı ölçme cihazının dikeylikten gerçek sapmasını verir.
- Kapı aralığının yüksekliğini ölçün.

İzin verilen maksimum sapma şu şekilde hesaplanır:

Kapı aralığı yüksekliğinin iki katı  $\times 0,4 \text{ mm/m}$

Örnek: Kapı aralığı yüksekliği 2 m ise, maksimum sapma  $2 \times 2 \text{ m} \times \pm 0,4 \text{ mm/m} = \pm 1,6 \text{ mm}$  olmalıdır. Nokta III ve IV birbirinden en fazla 1,6 mm ayrı olmalıdır.

#### Çalışırken dikkat edilecek hususlar

- **İşaretleme yaparken daima lazer çizgisinin ortasını kullanın.** Lazer çizgisinin genişliği mesafe ile birlikte artar.

#### Tripod ile çalışma (aksesuar)

Tripod stabil ve yüksekliği ayarlanabilir bir ölçme zemini sağlar. Ölçüm aletinin 1/4" tripod girişi (3) tripodun (23) dişli yuvasına veya piyasada bulunan bir fotoğraf tripodunun yuvasına takın. Ölçüm aletini tripodun sabitleme vidası ile sıkıca vidalayın.

Ölçme cihazını açmadan önce tripodu kabaca doğrultun.

#### Universal tutucu düzeneği ile (aksesuar) sabitleme (Bakınız: Resimler H-O)

Çok amaçlı sabitleme aparatı (13) yardımı ile ölçme cihazını örneğin dikey yüzeylere, borulara veya mıknatıslanabilir malzemeye sabitleyebilirsiniz. Çok amaçlı sabitleme aparatı zemin sehпасı olarak da kullanılmaya uygundur ve ölçme cihazının yüksekliğinin ayarlanmasına olanak sağlar.

Ölçüm aletini universal tutucu düzeneğine (13) sabitlemek için tutucu düzeneğinin 1/4" vidasını (15) ölçüm aletindeki tripod girişinde (3) sıkın.

Tutucu düzeneğindeki ölçüm aletini çevirmek veya itmek için 1/4" vidasını (15) hafifçe gevşetin.

Tavan kısıkaçı (14) ile kullanımda ölçüm aleti ince ayar için döner düğme (17) ile yukarı ve aşağı doğru hareket ettirilebilir.

Ölçme cihazını açmadan önce çok amaçlı sabitleme aparatını (13) kabaca ayarlayın.

Universal tutucu düzeneği (13) ile ölçüm aleti aşağıda açıklandığı gibi sabitlelenebilir:

- Universal tutucu düzeneği (13) (tavan kısıkaçı (14) olmadan) mıknatıslarla (19) mıknatıslanabilir yüzeylere sabitlelenebilir (Resim L).
- Universal tutucu düzeneğini (13) (tavan kısıkaçı (14) olmadan) masa tripodunu kullanarak kullanın. Bunun için tutucu düzeneğini zemine koyun ve tutucu düzeneğinin sabitleme ayaklarını (20) dışa katlayın (Resim M).
- Universal tutucu düzeneği (13) (tavan kısıkaçı (14) olmadan) kuru duvarlara veya ahşaba sabitlelenebilir. Bunun için en az 50 mm uzunluğundaki bir sabitleme



cıvatasını (piyasada bulunan) tutucu düzeneğinin vidalama deliğine **(18)** yerleştirin ve vidalayın (Resim **N**).

- Universal tutucu düzeneği **(13)** kilit **(16)** ile de tavan kıskacına **(14)** tavan ızgarasına veya duvar raylarına sabitlenebilir (Resim **O**).

### Lazer gözlüğü (aksesuar)

Lazer gözlüğü ortam ışığını filtre eder. Bu nedenle lazer ışığı göze daha parlak gelir.

- ▶ **Lazer gözlüğünü (aksesuar) koruyucu gözlük olarak kullanmayın.** Lazer gözlüğü lazer ışınının daha iyi görülmesini sağlar, ancak lazer ışınına karşı koruma sağlamaz.
- ▶ **Lazer gözlüğünü (aksesuar) güneş gözlüğü olarak veya trafikte kullanmayın.** Lazer gözlüğü kızılötesi ışınlarla karşı tam bir koruma sağlamaz ve renk algılama performansını düşürür.

## Bakım ve servis

### Bakım ve temizlik

Ölçme cihazını her zaman temiz tutun.

Ölçme cihazını suya veya başka sıvılar içine daldırmayın.

Kirleri nemli, yumuşak bir bezle silin. Deterjan veya çözücü madde kullanmayın.

Özellikle çıkış deliği yakınındaki yüzeyi düzenli aralıklarla temizleyin ve bunu yaparken tüylenme olmamasına dikkat edin.

Ölçüm aletini sadece çantada **(24)** depolayın ve çantayla taşıyın.

Ölçüm aletini onarım için çantada **(24)** gönderin.

### Müşteri servisi ve uygulama danışmanlığı

Müşteri servisleri ürününüzün onarım ve bakımı ile yedek parçalarına ait sorularınızı yanıtladılır. Tehlike işaretlerini ve yedek parçalara ait bilgileri şu sayfada da bulabilirsiniz:

**www.bosch-pt.com**

Bosch uygulama danışma ekibi ürünlerimiz ve aksesuarları hakkındaki sorularınızda sizlere memnuniyetle yardımcı olur.

Bütün başvuru ve yedek parça siparişlerinizde ürünün tip etiketi üzerindeki 10 haneli malzeme numarasını mutlaka belirtin.

### Türkçe

Marmara Elektrikli El Aletleri Servis Hizmetleri Sanayi ve Ticaret Ltd. Şti.

Tersane cd. Zencefil Sok.No:6 Karaköy

Beyoğlu / İstanbul

Tel.: +90 212 2974320

Fax: +90 212 2507200

E-mail: info@marmarabps.com

Bağrıaçıklar Oto Elektrik

Motorlu Sanayi Çarşısı Doğruer Sk. No:9

Selçuklu / Konya

Tel.: +90 332 2354576

Tel.: +90 332 2331952

Fax: +90 332 2363492

E-mail: bagriaciklarotoelektrik@gmail.com

Akgül Motor Bobinaj San. Ve Tic. Ltd. Şti  
Alaaddinbey Mahallesi 637. Sokak No:48/C  
Nilüfer / Bursa

Tel.: +90 224 443 54 24

Fax: +90 224 271 00 86

E-mail: info@akgulbobinaj.com

Ankaralı Elektrik

Eski Sanayi Bölgesi 3. Cad. No: 43

Kocasinan / KAYSERİ

Tel.: +90 352 3364216

Tel.: +90 352 3206241

Fax: +90 352 3206242

E-mail: gunay@ankarali.com.tr

Asal Bobinaj

Eski Sanayi Sitesi Barbaros Cad. No: 24/C

Canik / Samsun

Tel.: +90 362 2289090

Fax: +90 362 2289090

E-mail: bpsasalbobinaj@hotmail.com

Aygem Elektrik Makine Sanayi ve Tic. Ltd. Şti.

10021 Sok. No: 11 AOSB

Çiğli / İzmir

Tel.: +90232 3768074

Fax: +90 232 3768075

E-mail: boschservis@aygem.com.tr

Bakırcioğlu Elektrik Makine Hırdavat İnşaat Nakliyat Sanayi ve Ticaret Ltd. Şti.

Karaağaç Mah. Sümerbank Cad. No:18/4

Merkez / Erzincan

Tel.: +90 446 2230959

Fax: +90 446 2240132

E-mail: bilgi@korfezelektrik.com.tr

Bosch Sanayi ve Ticaret A.Ş.

Elektrikli El Aletleri

Aydınevler Mah. İnönü Cad. No: 20

Küçükalya Ofis Park A Blok

34854 Maltepe-İstanbul

Tel.: 444 80 10

Fax: +90 216 432 00 82

E-mail: iletisim@bosch.com.tr

www.bosch.com.tr

Bulsan Elektrik

İstanbul Cad. Devrez Sok. İstanbul Çarşısı

No: 48/29 İskitler

Ulus / Ankara

Tel.: +90 312 3415142

Tel.: +90 312 3410302

Fax: +90 312 3410203

E-mail: bulsanbobinaj@gmail.com

Çözüm Bobinaj

Küsget San.Sit.A Blok 11Nolu Cd.No:49/A

Şehitkamil/Gaziantep

Tel.: +90 342 2351507

Fax: +90 342 2351508

E-mail: cozumbobinaj2@hotmail.com

Onarım Bobinaj  
Raif Paşa Caddesi Çay Mahallesi No:67  
İskenderun / HATAY  
Tel.: +90 326 613 75 46  
E-mail: onarim\_bobinaj31@mynet.com

Faz Makine Bobinaj  
Cumhuriyet Mah. Sanayi Sitesi Motor  
İşleri Bölümü 663 Sk. No:18  
Murat Paşa / Antalya  
Tel.: +90 242 3465876  
Tel.: +90 242 3462885  
Fax: +90 242 3341980  
E-mail: info@fazmakina.com.tr

Günşah Otomotiv Elektrik Endüstriyel Yapı Malzemeleri San  
ve Tic. Ltd. Şti  
Beylikdüzü Sanayi Sit. No: 210  
Beylikdüzü / İstanbul  
Tel.: +90 212 8720066  
Fax: +90 212 8724111  
E-mail: gunsahelektrik@ttmail.com  
Sezmen Bobinaj Elektrikli El Aletleri İmalatı San ve Tic. Ltd.  
Şti.

Ege İş Merkezi 1201/4 Sok. No: 4/B  
Yenişehir / İzmir  
Tel.: +90 232 4571465  
Tel.: +90 232 4584480  
Fax: +90 232 4573719  
E-mail: info@sezmenbobinaj.com.tr

Üstündağ Bobinaj ve Soğutma Sanayi  
Nusretiye Mah. Boyacılar Aralığı No: 9  
Çorlu / Tekirdağ  
Tel.: +90 282 6512884  
Fax: +90 282 6521966  
E-mail: info@ustundagsogutma.com  
IŞIKLAR ELEKTRİK BOBİNAJ  
Karasoku Mahallesi 28028. Sokak No:20/A  
Merkez / ADANA  
Tel.: +90 322 359 97 10 - 352 13 79  
Fax: +90 322 359 13 23  
E-mail: isiklar@isiklarelektrik.com

**Diğer servis adreslerini şurada bulabilirsiniz:**  
www.bosch-pt.com/serviceaddresses

### Tasfiye

Ölçüm aletleri, aküler/piller, aksesuar ve ambalaj malzemesi çevre dostu tasfiye amacıyla bir geri kazanım merkezine yollanmalıdır.



Ölçüm aletlerini ve aküleri/pilleri evsel çöplerin içine atmayın!

### Sadece AB ülkeleri için:

2012/19/EU yönetmeliği uyarınca kullanım ömrünü tamamlamış ölçme cihazları ve 2006/66/EC yönetmeliği uyarınca arızalı veya kullanım ömrünü tamamlamış aküler/bataryalar ayrı ayrı toplanmak ve çevre dostu tasfiye için bir geri dönüşüm merkezine yollanmak zorundadır.

## Русский

### Только для стран Евразийского экономического союза (Таможенного союза)

В состав эксплуатационных документов, предусмотренных изготовителем для продукции, могут входить настоящее руководство по эксплуатации, а также приложения. Информация о подтверждении соответствия содержится в приложении.

Информация о стране происхождения указана на корпусе изделия и в приложении.

Дата изготовления указана на последней странице обложки Руководства или на корпусе изделия.

Контактная информация относительно импортера содержится на упаковке.

#### Срок службы изделия

Срок службы изделия составляет 7 лет. Не рекомендуется к эксплуатации по истечении 5 лет хранения с даты изготовления без предварительной проверки (дату изготовления см. на этикетке).

#### Перечень критических отказов и ошибочные действия персонала или пользователя

- не использовать при появлении дыма непосредственно из корпуса изделия
- не использовать на открытом пространстве во время дождя (в распыляемой воде)
- не включать при попадании воды в корпус

#### Критерии предельных состояний

- поврежден корпус изделия

#### Тип и периодичность технического обслуживания

Рекомендуется очистить инструмент от пыли после каждого использования.

#### Хранение

- необходимо хранить в сухом месте
- необходимо хранить вдали от источников повышенных температур и воздействия солнечных лучей
- при хранении необходимо избегать резкого перепада температур
- если инструмент поставляется в мягкой сумке или пластиковом кейсе рекомендуется хранить инструмент в этой защитной упаковке
- подробные требования к условиям хранения смотрите в ГОСТ 15150 (Условие 1)

#### Транспортировка

- категорически не допускается падение и любые механические воздействия на упаковку при транспортировке
- при разгрузке/погрузке не допускается использование любого вида техники, работающей по принципу зажима упаковки

- подробные требования к условиям транспортировки смотрите в ГОСТ 15150 (Условие 5)

## Указания по технике безопасности



Для обеспечения безопасной и надежной работы с измерительным инструментом должны быть прочитаны и соблюдены все инструкции. Использование измерительного инструмента не в соответствии с настоящими указаниями чревато повреждением интегрированных защитных механизмов. Никогда не изменяйте до неузнаваемости предупредительные таблички на измерительном инструменте. **ХОРОШО СОХРАНИТЕ ЭТИ ИНСТРУКЦИИ И ПЕРЕДАВАЙТЕ ИХ ВМЕСТЕ С ПЕРЕДАЧЕЙ ИЗМЕРИТЕЛЬНОГО ИНСТРУМЕНТА.**

- ▶ **Осторожно** – применение инструментов для обслуживания или юстировки или процедур техобслуживания, кроме указанных здесь, может привести к опасному воздействию излучения.
- ▶ Измерительный инструмент поставляется с предупредительной табличкой лазерного излучения (показана на странице с изображением измерительного инструмента).
- ▶ Если текст предупредительной таблички лазерного излучения не на Вашем родном языке, перед первым запуском в эксплуатацию заклейте ее наклейкой на Вашем родном языке, которая входит в объем поставки.



**Не направляйте луч лазера на людей или животных и сами не смотрите на прямой или отражаемый луч лазера.** Этот луч может слепить людей, стать причиной несчастного случая или повредить глаза.

- ▶ В случае попадания лазерного луча в глаз глаза нужно намеренно закрыть и немедленно отвернуться от луча.
- ▶ Не меняйте ничего в лазерном устройстве.
- ▶ Не используйте очки для работы с лазерным инструментом (принадлежность) в качестве защитных очков. Очки для работы с лазерным инструментом обеспечивают лучшее распознавание лазерного луча, но не защищают от лазерного излучения.
- ▶ Не используйте очки для работы с лазерным инструментом (принадлежность) в качестве солнцезащитных очков или за рулем. Очки для работы с лазером не обеспечивают защиту от УФ-излучения и мешают правильному цветовосприятию.
- ▶ Ремонт измерительного инструмента разрешается выполнять только квалифицированному персоналу и только с использованием оригинальных запчастей. Этим обеспечивается безопасность измерительного инструмента.
- ▶ Не позволяйте детям пользоваться лазерным измерительным инструментом без присмотра. Дети

могут по неосторожности ослепить себя или посторонних людей.

- ▶ **Не работайте с измерительным инструментом во взрывоопасной среде, поблизости от горючих жидкостей, газов и пыли.** В измерительном инструменте могут образоваться искры, от которых может воспламениться пыль или пары.



**Не устанавливайте магнитные принадлежности вблизи имплантатов и прочих медицинских аппаратов, напр., кардиостимуляторов и инсулиновых насосов.** Находящиеся в принадлежностях магниты создают магнитное поле, которое может оказывать влияние на работу имплантатов и медицинских аппаратов.

- ▶ **Держите магнитные принадлежности вдали от магнитных носителей данных и от приборов, чувствительных к магнитному полю.** Воздействие магнитов принадлежности может приводить к невозможной потере данных.

## Описание продукта и услуг

Пожалуйста, соблюдайте иллюстрации в начале руководства по эксплуатации.

### Применение по назначению

Настоящий измерительный прибор предназначен для построения и контроля горизонтальных и вертикальных линий.

Измерительный инструмент предназначен для использования внутри помещений.

### Изображенные составные части

Нумерация представленных составных частей выполнена по изображению измерительного инструмента на странице с иллюстрациями.

- (1) Отверстие для выхода лазерного луча
- (2) Выключатель
- (3) Гнездо под штатив 1/4"
- (4) Серийный номер
- (5) Предупредительная табличка лазерного излучения
- (6) Крышка батарейного отсека
- (7) Фиксатор крышки батарейного отсека
- (8) Кнопка фиксатора маятника **Lock**
- (9) Кнопка выбора режима работы лазера **Mode**
- (10) Индикатор предупреждения о нивелировании
- (11) Индикатор режима работы лазера
- (12) Индикатор фиксатора маятника
- (13) Универсальный держатель<sup>A)</sup>
- (14) Потолочный кронштейн держателя<sup>A)</sup>
- (15) Винт 1/4" держателя<sup>A)</sup>

- (16) Фиксатор потолочного кронштейна<sup>A)</sup>
- (17) Поворотная ручка потолочного кронштейна<sup>A)</sup>
- (18) Отверстие под винт в держателе<sup>A)</sup>
- (19) Магнит<sup>A)</sup>
- (20) Стойки держателя<sup>A)</sup>
- (21) Очки для работы с лазерным инструментом<sup>A)</sup>
- (22) Визирная марка для лазерного луча<sup>A)</sup>
- (23) Штатив<sup>A)</sup>
- (24) Футляр<sup>A)</sup>

A) Изображенные или описанные принадлежности не входят в стандартный объем поставки. Полный ассортимент принадлежностей Вы найдете в нашей программе принадлежностей.

### Технические данные

Лазерный нивелир	GLL 2-20
Товарный номер	3 601 K63 J00
Рабочий диапазон (диаметр) приibl. до <sup>A)</sup>	20 м
Точность нивелирования <sup>B)C)</sup>	±0,4 мм/м
Типичный диапазон автоматического нивелирования	±4°
Типичное время нивелирования	4 с
Рабочая температура	+5 °C ... +40 °C
Температура хранения	-20 °C ... +70 °C
Макс. высота применения над верхней высотой	2000 м
Относительная влажность воздуха не более	90 %
Степень загрязненности согласно IEC 61010-1	2 <sup>D)</sup>
Класс лазера	2
Тип лазера	< 1 мВт, 630-650 нм
C <sub>6</sub>	1
Расхождение	1,5 мрад
Гнездо под штатив	1/4"
Батарейки	4 × 1,5 В LRG (AA)
Аккумуляторы	4 × 1,2 В HR6 (AA)
Время работы прим.	12 ч
Масса согласно EPTA-Procedure 01:2014	0,38 кг

### Лазерный нивелир

GLL 2-20

Размеры (длина × ширина × высота)

85 × 70 × 125 мм

- A) Рабочий диапазон может уменьшаться вследствие неблагоприятных окружающих условий (напр., прямых солнечных лучей).
- B) при 20-25 °C
- C) Для указанных значений условия окружающей среды должны быть в диапазоне от нормальных до благоприятных (напр., отсутствие вибрации, отсутствие тумана, отсутствие дыма, отсутствие прямых солнечных лучей). После сильных перепадов температуры возможны отклонения в точности.
- D) Обычно присутствует только непроводящее загрязнение. Однако, как правило, возникает временная проводимость, вызванная конденсацией.

Однозначная идентификация измерительного инструмента возможна по серийному номеру (4) на заводской табличке.

### Сборка

#### Вставка/замена батареек

В измерительном инструменте рекомендуется использовать щелочно-марганцевые батарейки или аккумуляторные батареи.

Чтобы открыть крышку батарейного отсека (6), нажмите на фиксатор (7) и поднимите крышку батарейного отсека. Вставьте батарейки или аккумуляторные батареи.

Соблюдайте при этом правильную полярность в соответствии с изображением на внутренней стороне крышки батарейного отсека (6).

Всегда заменяйте все батарейки/аккумуляторные батареи одновременно. Используйте только батарейки/аккумуляторные батареи одного производителя и с одинаковой емкостью.

- ▶ **Извлекайте батареи или аккумуляторы из измерительного инструмента, если продолжительное время не будете работать с ним.** При длительном хранении возможна коррозия или саморазрядка батареек/аккумуляторных батарей.

### Работа с инструментом

#### Включение инструмента

- ▶ **Защищайте измерительный инструмент от влаги и прямых солнечных лучей.**
- ▶ **Не подвергайте измерительный инструмент воздействию экстремальных температур и температурных перепадов.** Например, не оставляйте его на длительное время в автомобиле. При значительных колебаниях температуры сначала дайте температуре измерительного инструмента стабилизироваться, и прежде чем продолжать работать с инструментом, всегда проверяйте его точность (см. „Контроль точности измерительного инструмента“, Страница 37). Экстремальные температуры и температурные перепады могут отрицательно влиять на точность измерительного инструмента.

- ▶ **Избегайте сильных толчков и падения измерительного инструмента.** После сильных внешних воздействий на измерительный инструмент рекомендуется проверить его точность, прежде чем продолжать работать с инструментом (см. „Контроль точности измерительного инструмента“, Страница 37).
- ▶ **При транспортировке выключайте измерительный инструмент.** При выключении блокируется маятниковый механизм, который иначе при сильных движениях может быть поврежден.

#### Включение/выключение

Чтобы **включить** измерительный инструмент, переведите выключатель (2) в положение «**On**». Сразу же после включения измерительный инструмент излучает отверстия для выхода лазерного луча (1) лазерные линии.

- ▶ **Не направляйте лазерный луч на людей или животных и не смотрите сами в лазерный луч, в том числе и с большого расстояния.**

Чтобы **выключить** измерительный инструмент, переведите выключатель (2) в положение **Off**. При выключении маятниковый механизм блокируется.




- ▶ **Не оставляйте измерительный инструмент без присмотра и выключайте измерительный инструмент после использования.** Другие лица могут быть ослеплены лазерным лучом.

#### Режимы работы

После включения измерительный инструмент находится в режиме перекрестных линий с автоматическим нивелированием.

Для изменения режима работы нажимайте кнопку выбора режима работы лазера **Mode (9)**, пока свечение соответствующего индикатора режима работы лазера (11) не просигнализирует о включении необходимого режима работы.

Инструмент имеет следующие режимы работы:

Индикатор	Режим работы
	<b>Режим перекрестных линий</b> (см. рис. <b>A, B и E</b> ): Измерительный инструмент создает одну горизонтальную лазерную плоскость (замкнутую на 360° лазерную линию) и одну вертикальную лазерную линию.
	<b>Горизонтальный режим</b> (см. рис. <b>C</b> ): Измерительный инструмент создает одну горизонтальную лазерную плоскость.
	<b>Вертикальный режим</b> (см. рис. <b>D</b> ): Измерительный инструмент создает одну вертикальную лазерную линию.

Все режимы работы можно включать с автоматическим нивелированием и с блокировкой маятника.

#### Автоматическое нивелирование

##### Работа с автоматическим нивелированием (см. рис. **F–G**)

При работе с автоматическим нивелированием не должен светиться индикатор фиксатора маятника (12). При необходимости снова включите автоматическое нивелирование нажатием кнопки фиксатора маятника **Lock (8)**, чтобы индикатор фиксатора маятника погас.

Установите измерительный инструмент на прочное горизонтальное основание или закрепите его на универсальном держателе (13) или на штативе (23).

Функция автоматического нивелирования компенсирует неровности в рамках диапазона автоматического нивелирования  $\pm 4^\circ$ . Нивелирование завершено, как только лазерные линии перестали перемещаться.

Если автоматическое нивелирование невозможно, напр., т.к. поверхность, на которой установлен измерительный инструмент, отличается от горизонтали более чем на  $4^\circ$ , индикатор предупреждения о нивелировании (10) светится красным цветом и лазер автоматически отключается.

В таком случае установите измерительный инструмент горизонтально и дождитесь окончания автоматического самонивелирования. Как только измерительный инструмент опять находится в диапазоне автоматического самонивелирования  $\pm 4^\circ$ , индикатор предупреждения о нивелировании (10) гаснет и лазер включается.

За пределами диапазона самонивелирования  $\pm 4^\circ$  работа с автоматическим самонивелированием невозможна, так как при этом не гарантируется точность нивелирования лазерных лучей и прямой угол между лазерными лучами.

При сотрясениях или изменениях положения во время работы измерительный инструмент автоматически самонивелируется. После повторного нивелирования проверьте положение горизонтальной или вертикальной лазерной линии по отношению к реперным точкам для предотвращения ошибок в результате смещения измерительного инструмента.

##### Работа с фиксатором маятника (см. рис. **E**)

Для работы с фиксатором маятника нажмите кнопку фиксатора маятника **Lock (8)**. При активном фиксаторе маятника индикатор фиксатора маятника (12) горит красным светом.

При работе с блокировкой маятника автоматическое нивелирование выключено. Измерительный инструмент можно держать на весу в руке или поставить на наклонное основание. При этом лазерные линии больше не нивелируются и не обязательно образуют перпендикуляр.

#### Контроль точности измерительного инструмента

##### Факторы, влияющие на точность

Наибольшее влияние на точность оказывает окружающая температура. В особенности температурные перепады,

имеющие место по мере удаления от почвы, могут стать причиной отклонения лазерного луча.

Поскольку самые большие температурные перепады наблюдаются рядом с поверхностью почвы, измерительный инструмент необходимо по возможности устанавливать на штатив по центру проверяемой рабочей поверхности.

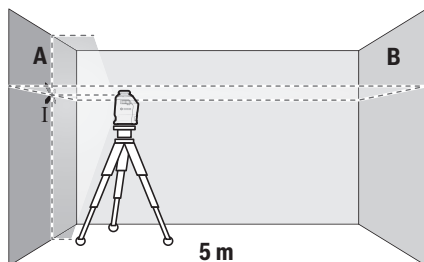
Наряду с внешними воздействиями, специфические для инструмента воздействия (напр., падения или сильные удары) также могут приводить к отклонениям. Поэтому всегда перед началом работы проверяйте точность нивелирования.

Если во время одной из проверок измерительный инструмент превысит максимально допустимое отклонение, отдайте его в ремонт в сервисную мастерскую **Bosch**.

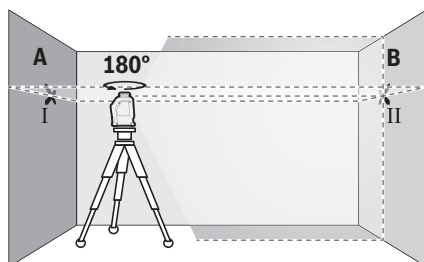
#### Проверка точности горизонтального нивелирования вдоль поперечной оси

Для контроля необходим свободный отрезок **5 м** на прочном основании между стенами А и В.

- Закрепите измерительный инструмент вблизи стены А на штативе или установите его на прочное, плоское основание. Включите измерительный инструмент. Выберите режим перекрестных линий с автоматическим нивелированием.

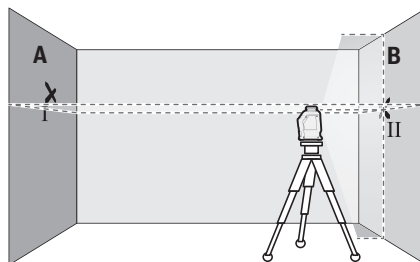


- Направьте лазер на ближнюю стену А и дайте измерительному инструменту нивелироваться. Отметьте середину точки, в которой лазерные линии пересекаются на стене (точка I).

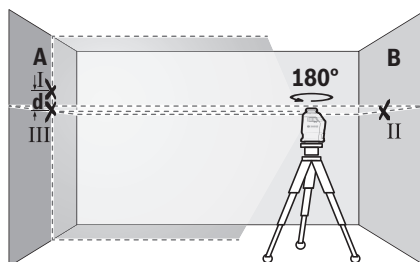


- Поверните измерительный инструмент на  $180^\circ$ , подождите, пока он не произведет самонивелирование, и отметьте точку пересечения лазерных линий на противоположной стене В (точка II).

- Установите измерительный инструмент – не поворачивая его – вблизи стены В, включите его и дайте ему время нивелироваться.



- Настройте измерительный инструмент по высоте (с помощью штатива или подкладок) так, чтобы точка пересечения лазерных линий точно совпала с ранее отмеченной точкой II на стене В.



- Поверните измерительный инструмент на  $180^\circ$ , не изменяя высоты. Направьте инструмент на стену А так, чтобы вертикальная лазерная линия проходила через уже отмеченную точку I. Подождите, пока инструмент не закончит самонивелирование, и отметьте точку пересечения лазерных линий на стене А (точка III).
- Расстояние  $d$  между двумя обозначенными точками I и III на стене А отражает фактическое отклонение измерительного инструмента по высоте.

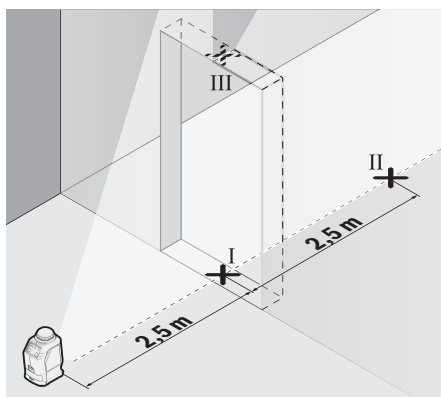
На участке  $2 \times 5 \text{ м} = 10 \text{ м}$  максимально допустимое отклонение составляет:

$10 \text{ м} \times \pm 0,4 \text{ мм/м} = \pm 4 \text{ мм}$ . Таким образом, расстояние  $d$  между точками I и II не должно превышать макс. **4 мм**.

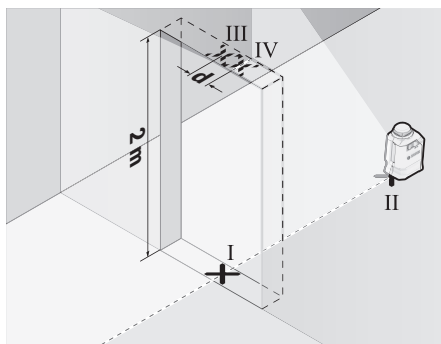
#### Проверка точности нивелирования вертикальной линии

Для проверки Вам требуется проем двери, в обе стороны от которого (на прочном полу) есть свободное пространство длиной не менее 2,5 м.

- Установите измерительный инструмент на расстоянии 2,5 м от дверного проема на прочное, ровное основание (не на штатив). Выберите вертикальный режим с автоматическим нивелированием. Направьте вертикальную лазерную линию на дверной проем и дайте измерительному инструменту самонивелироваться.



- Отметьте середину вертикальной линии на полу в проеме двери (точка I), на расстоянии в 5 м с другой стороны проема двери (точка II), а также по верхнему краю проема двери (точка III).



- Поверните измерительный инструмент на 180° и поставьте его по другую сторону дверного проема прямо позади точки II. Дайте измерительному прибору самонивелироваться и направьте его вертикальные лазерные лучи так, чтобы их середины проходили точно через точки I и II.
- Пометьте середину лазерного луча на верхнем крае дверного проема как точку IV.
- Расстояние  $d$  между двумя обозначенными точками III и IV отображает фактическое отклонение измерительного инструмента от вертикали.
- Измерьте высоту проема двери.

Максимально допустимое отклонение рассчитывается следующим образом:

двойная высота дверного проема  $\times 0,4$  мм/м

Пример: при высоте дверного проема в 2 м максимальное отклонение может составлять

$2 \times 2 \text{ м} \times \pm 0,4 \text{ мм/м} = \pm 1,6 \text{ мм}$ . Точки III и IV должны находиться при обоих измерениях на расстоянии максимум 1,6 мм друг от друга.

## Указания по применению

- ▶ **Используйте всегда только середину лазерной линии для отметки.** Ширина лазерной линии изменяется по мере удаления.

## Работа со штативом (принадлежность)

Штатив обеспечивает стабильную, регулируемую по высоте опору для измерений. Поставьте измерительный инструмент гнездом под штатив 1/4" (3) на резьбу штатива (23) или обычного фотоштатива. Зафиксируйте измерительный инструмент с помощью крепежного винта штатива.

Предварительно выровняйте штатив, прежде чем включать измерительный инструмент.

## Фиксация с помощью универсального держателя (принадлежность) (см. рис. Н-О)

С помощью универсального крепления (13) можно закрепить измерительный инструмент, напр., на вертикальных поверхностях, трубах или намагничиваемых материалах. Универсальное крепление можно также использовать в качестве подставки. Оно облегчает выравнивание инструмента по высоте.

Для закрепления измерительного инструмента на универсальном держателе (13) затяните винт 1/4" (15) держателя в гнезде под штатив (3) на измерительном инструменте.

Чтобы повернуть или передвинуть измерительный инструмент на держателе слегка ослабьте винт 1/4" (15).

При использовании потолочного кронштейна (14) измерительный инструмент можно перемещать вверх и вниз с помощью поворотной ручки для точной настройки (17).

Предварительно выровняйте универсальное крепление (13), прежде чем включать измерительный инструмент.

С помощью универсального держателя (13) измерительный инструмент можно крепить следующим образом:

- Универсальный держатель (13) (без потолочного кронштейна (14)) можно крепить с помощью магнитов (19) к магнитным поверхностям (рис. L).
- Используйте универсальный держатель (13) (без потолочного кронштейна (14)) в качестве настольного штатива. Для этого установите держатель на поверхность и разверните стойки (20) держателя (рис. M).
- Универсальный держатель (13) (без потолочного кронштейна (14)) можно крепить к поверхностям из гипсокартона и дерева. Для этого вверните крепежный винт (стандартный) длиной не менее 50 мм в отверстие под винт (18) на держателе и затяните (рис. N).
- Универсальный держатель (13) можно также с помощью фиксатора (16) установить на потолочный кронштейн (14) на потолочной решетке или настенных рейках (рис. O).

### Очки для работы с лазерным инструментом (принадлежность)

Лазерные очки отфильтровывают окружающий свет. Поэтому свет лазера кажется более ярким для зрительно-го восприятия.

- ▶ **Не используйте очки для работы с лазерным инструментом (принадлежность) в качестве защитных очков.** Очки для работы с лазерным инструментом обеспечивают лучшее распознавание лазерного луча, но не защищают от лазерного излучения.
- ▶ **Не используйте очки для работы с лазерным инструментом (принадлежность) в качестве солнцезащитных очков или за рулем.** Очки для работы с лазером не обеспечивают защиту от УФ-излучения и мешают правильному цветовосприятию.

## Техобслуживание и сервис

### Техобслуживание и очистка

Содержите измерительный инструмент постоянно в чистоте.

Никогда не погружайте измерительный инструмент в воду или другие жидкости.

Вытирайте загрязнения сухой и мягкой тряпкой. Не используйте какие-либо чистящие средства или растворители.

Очищайте регулярно особенно поверхности у выходного отверстия лазера и следите при этом за отсутствием ворсинок.

Храните и транспортируйте измерительный инструмент только в футляре (24).

Отправляйте измерительный инструмент на ремонт в футляре (24).

### Сервис и консультирование по вопросам применения

Сервисный отдел ответит на все Ваши вопросы по ремонту и обслуживанию Вашего продукта, а также по запчастям. Изображения с пространственным разделением деталей и информацию по запчастям можно посмотреть также по адресу: [www.bosch-pt.com](http://www.bosch-pt.com)

Коллектив сотрудников Bosch, предоставляющий консультации на предмет использования продукции, с удовольствием ответит на все Ваши вопросы относительно нашей продукции и ее принадлежностей.

Пожалуйста, во всех запросах и заказах запчастей обязательно указывайте 10-значный товарный номер по заводской табличке изделия.

**Для региона: Россия, Беларусь, Казахстан, Украина**  
Гарантийное обслуживание и ремонт электроинструмента, с соблюдением требований и норм изготовителя производятся на территории всех стран только в фирменных или авторизованных сервисных центрах «Роберт Бош». **ПРЕДУПРЕЖДЕНИЕ!** Использование контрафактной продукции опасно в эксплуатации, может привести к ущербу для Вашего здоровья. Изготовление и распространение

контрафактной продукции преследуется по Закону в административном и уголовном порядке.

### Россия

Уполномоченная изготовителем организация:  
ООО «Роберт Бош» Вахутинское шоссе, вл. 24  
141400, г. Химки, Московская обл.  
Тел.: +7 800 100 8007  
E-Mail: [info.powertools@ru.bosch.com](mailto:info.powertools@ru.bosch.com)  
[www.bosch-pt.ru](http://www.bosch-pt.ru)

**Дополнительные адреса сервисных центров вы найдете по ссылке:**

[www.bosch-pt.com/serviceaddresses](http://www.bosch-pt.com/serviceaddresses)

### Утилизация

Измерительный инструмент, аккумулятор/ батареи, принадлежности и упаковку нужно сдавать на экологически чистую утилизацию.



Не выбрасывайте аккумуляторные батареи/батареи в бытовой мусор!

### Только для стран-членов ЕС:

В соответствии с европейской директивой 2012/19/EU негодные измерительные прибор и в соответствии с европейской директивой 2006/66/ЕС негодные или отслужившие свой срок аккумуляторные батареи/батареи должны собираться отдельно и сдаваться на экологически чистую рекуперацию.

## Українська

### Вказівки з техніки безпеки



Прочитайте всі вказівки і дотримуйтеся їх, щоб працювати з вимірювальним інструментом безпечно та надійно. Використання вимірювального

інструмента без дотримання цих інструкцій може призвести до пошкодження інтегрованих захисних механізмів. Ніколи не доводьте попереджувальні таблички на вимірювальному інструменті до невпізнанності. **ДОБРЕ ЗБЕРІГАЙТЕ ЦІ ІНСТРУКЦІ І ПЕРЕДАВАЙТЕ ЇХ РАЗОМ З ПЕРЕДАЧЕЮ ВИМІРЮВАЛЬНОГО ІНСТРУМЕНТУ.**

▶ **Обережно – використання засобів обслуговування і настроювання, що відрізняються від зазначених в цій інструкції, або використання дозволених засобів у недозволеній спосіб, може призводити до небезпечного впливу випромінювання.**

▶ **Вимірювальний інструмент постачається з попереджувальною табличкою лазерного випромінювання (вона позначена на зображенні вимірювального інструмента на сторінці з малюнком).**



- ▶ Якщо текст попереджувальної таблички лазерного випромінювання написаний не мовою Вашої країни, перед першим запуском в експлуатацію заклейте її наклейкою на мові Вашої країни, що входить у комплект постачання.



Не направляйте лазерний промінь на людей або тварин, і самі не дивіться на прямий або відображений лазерний промінь. Він може засліпити інших людей, спричинити нещасні випадки або пошкодити очі.

- ▶ У разі потрапляння лазерного променя в око, навмисне заплющіть очі і відразу відверніться від променя.
- ▶ Нічого не міняйте в лазерному пристрої.
- ▶ Не використовуйте окуляри для роботи з лазером (приладдя) як захисні окуляри. Окуляри для роботи з лазером забезпечують краще розпізнавання лазерного променя, однак не захищають від лазерного випромінювання.
- ▶ Не використовуйте окуляри для роботи з лазером (приладдя) як сонцезахисні окуляри та не вдягайте їх, коли ви знаходитесь за кермом. Окуляри для роботи з лазером не забезпечують повний захист від УФ променів та погіршують розпізнавання кольорів.
- ▶ Віддавайте вимірювальний інструмент на ремонт лише кваліфікованим фахівцям та лише з використанням оригінальних запчастин. Тільки за таких умов Ваш вимірювальний прилад і надалі буде залишатися безпечним.
- ▶ Не дозволяйте дітям використовувати лазерний вимірювальний інструмент без нагляду. Діти можуть ненавмисне засліпити себе чи інших людей.
- ▶ Не працюйте з вимірювальним інструментом у середовищі, де існує небезпека вибуху внаслідок присутності горючих рідин, газів або пилу. У вимірювальному приладі можуть утворюватися іскри, від яких може займатися пил або пари.



Не встановлюйте магнітне приладдя поблизу імплантів і інших медичних апаратів, напр., кардіостимуляторів і інсулінових помп. Магніти приладдя створюють поле, яке може негативно впливати на функціональну здатність імплантів і інсулінових помп.

- ▶ Тримайте магнітне приладдя на відстані від магнітних носіїв даних і чутливих до магнітних полів приладів. Вплив магнітів приладдя може призвести до необоротної втрати даних.

## Опис продукту і послуг

Будь ласка, дотримуйтеся ілюстрацій на початку інструкції з експлуатації.

## Призначення приладу

Вимірювальний прилад призначений для утворення і перевірки горизонтальних і вертикальних ліній.

Вимірювальний прилад призначений для використання всередині приміщень.

## Зображені компоненти

Нумерація зображених компонентів посилається на зображення вимірювального приладу на сторінці з малюнком.

- (1) Вихідний отвір для лазерного променя
- (2) Вимикач
- (3) Гніздо під штатив 1/4"
- (4) Серійний номер
- (5) Попереджувальна табличка для роботи з лазером
- (6) Кришка секції для батарейок
- (7) Фіксатор секції для батарейок
- (8) Кнопка блокування маятника **Lock**
- (9) Кнопка режиму роботи лазера **Mode**
- (10) Індикатор попередження про нівелювання
- (11) Індикатор режиму роботи лазера
- (12) Індикатор блокування маятника
- (13) Універсальне кріплення<sup>A)</sup>
- (14) Стельова скоба кріплення<sup>A)</sup>
- (15) Гвинт 1/4" кріплення<sup>A)</sup>
- (16) Фіксатор стельової скоби<sup>A)</sup>
- (17) Поворотна кнопка стельової скоби<sup>A)</sup>
- (18) Отвір під гвинт у кріпленні<sup>A)</sup>
- (19) Магніт<sup>A)</sup>
- (20) Стабілізуючі ніжки кріплення<sup>A)</sup>
- (21) Окуляри для роботи з лазером<sup>A)</sup>
- (22) Візорний щит<sup>A)</sup>
- (23) Штатив<sup>A)</sup>
- (24) Футляр<sup>A)</sup>

A) Зображене або описане приладдя не входить в стандартний обсяг поставки. Повний асортимент приладдя Ви знайдете в нашій програмі приладдя.

## Технічні дані

Перехресний лазер	GLL 2-20
Товарний номер	3 601 K63 J00
Робочий діапазон (діаметр) прибіл. до <sup>A)</sup>	20 м
Точність нівелювання <sup>B)C)</sup>	±0,4 мм/м
Діапазон автоматичного нівелювання, типовий	±4°
Тривалість нівелювання, типова	4 с
Робоча температура	+5 °C ... +40 °C
Температура зберігання	-20 °C ... +70 °C

Перехресний лазер	GLL 2-20
Макс. висота використання над реперною висотою	2000 м
Відносна вологість повітря макс.	90 %
Ступінь забрудненості відповідно до IEC 61010-1	2 <sup>D)</sup>
Клас лазера	2
Тип лазера	< 1 мВт, 630–650 нм
C <sub>б</sub>	1
Розходження	1,5 мрад
Гніздо під штатив	1/4"
Батарейки	4 × 1,5 В LR6 (AA)
Акумулятори	4 × 1,2 В HR6 (AA)
Робочий ресурс прибіл.	12 год
Вага відповідно до EPTA-Procedure 01:2014	0,38 кг
Розміри (довжина × ширина × висота)	85 × 70 × 125 мм

- A) Робочий діапазон може зменшуватися внаслідок несприятливих умов (напр., прями сонячні промені).
- B) при **20–25 °C**
- C) Для вказаних значень умов навколишнього середовища повинні бути у діапазоні від нормальних до сприятливих (напр., відсутність вібрації, відсутність туману, відсутність диму, відсутність прямих сонячних променів). Після сильних перепадів температури можливе відхилення у точності.
- D) Зазвичай присутнє лише непровідне забруднення. Проте, як правило, виникає тимчасова провідність через конденсацію.

Однозначна ідентифікація вимірювального інструмента можлива за допомогою серійного номера (4) на заводській таблиці.

## Монтаж

### Вставлення/заміна батарейок

У вимірювальному приладі рекомендується використовувати лужно-марганцеві батарейки або акумуляторні батареї.

Щоб відкрити кришку секції для батарейок (6), натисніть на фіксатор (7) і підніміть кришку секції для батарейок угору. Встановіть батарейки або акумуляторні батареї. При цьому слідкуйте за правильною полярністю відповідно до малюнку на внутрішньому боці кришки секції для батарейок (6).

Завжди міняйте одночасно всі батарейки/акумуляторні батареї. Використовуйте лише батарейки або акумуляторні батареї одного виробника і однакової ємності.

- ▶ **Виймайте батарейки або акумуляторні батареї з вимірювального інструмента, якщо тривалий час не будете користуватися ним.** При тривалому зберіганні батарейки та акумуляторні батареї можуть кородувати і саморозряджатися.

## Робота

### Початок роботи

- ▶ **Захищайте вимірювальний прилад від вологи і сонячних променів.**
- ▶ **Не допускайте впливу на вимірювальний інструмент екстремальних температур або температурних перепадів.** Наприклад, не залишайте його надовго в автомобілі. Після значного перепаду температур дайте температурі вимірювального інструмента стабілізуватись, і перед подальшою роботою завжди перевіряйте точність роботи вимірювального інструмента (див. „Перевірка точності вимірювального інструмента“, Сторінка 43). Екстремальні температури та температурні перепади можуть погіршувати точність вимірювального інструмента.
- ▶ **Уникайте сильних поштовхів і падіння вимірювального інструмента.** Після сильних зовнішніх впливів на вимірювальний інструмент перед подальшою роботою обов'язково завжди перевіряйте точність роботи вимірювального інструмента (див. „Перевірка точності вимірювального інструмента“, Сторінка 43).
- ▶ **Під час транспортування вимикайте вимірювальний інструмент.** При вимкненні приладу маятниковий вузол блокується, щоб запобігти пошкодженню внаслідок сильних поштовхів.

### Вмикання/вимкнення

Щоб увімкнути вимірювальний інструмент, посуňte вмикач (2) у положення «On». Одразу після вмкнення вимірювальний інструмент випромінює з вихідних отворів для лазерного променя (1) лазерні лінії.

- ▶ **Не спрямовуйте лазерний промінь на людей і тварин і не дивіться у лазерний промінь, включаючи і з великої відстані.**

Щоб вимкнути вимірювальний інструмент, посуňte вмикач (2) у положення Off. При вимкненні інструмента маятниковий вузол блокується.

- ▶ **Не залишайте увімкнутий вимірювальний інструмент без догляду, після закінчення роботи вимикайте вимірювальний інструмент.** Інші особи можуть бути засліплені лазерним променем.

### Режими роботи

Після вмкнення вимірювальний інструмент знаходиться в режимі роботи з перехресними лініями з автоматичним самонівелюванням.

Для зміни режиму роботи натискайте на кнопку режиму роботи лазера Mode (9), поки світіння відповідного індикатора режиму роботи лазера (11) не вкаже на увімкнення потрібного режиму роботи.

На вибір є такі режими роботи:

Індикатор	Режим роботи
	<b>Режим перехресних ліній</b> (див. мал. А, В і Е): Вимірювальний інструмент випромінює одну горизонтальну лазерну площину (лазерна лінія, що обертається на 360°) й одну вертикальну лазерну лінію.
	<b>Горизонтальний режим</b> (див. мал. С): Вимірювальний інструмент випромінює одну горизонтальну лазерну площину.
	<b>Вертикальний режим</b> (див. мал. D): Вимірювальний інструмент випромінює одну вертикальну лазерну лінію.

Усі режими роботи можна вмикати з автоматичним нівелюванням або з блокуванням маятника.

### Автоматичне нівелювання

#### Робота у режимі автоматичного нівелювання (див. мал. F–G)

У разі робіт у режимі автоматичного нівелювання індикатор блокування маятника (12) не повинен світитись. За потреби знову увімкніть режим автоматичного нівелювання, натиснувши кнопку блокування маятника **Lock(8)**, щоб індикатор блокування маятника згас.

Встановіть вимірювальний інструмент на тверду горизонтальну поверхню, закріпіть його на універсальному кріпленні (13) або на штативі (23).

Автоматичне нівелювання автоматично вирівнює нерівності у межах діапазону самонівелювання  $\pm 4^\circ$ . Нівелювання завершено, як тільки лазерні лінії припиняють свій рух.

Якщо автоматичне нівелювання неможливе, напр., якщо поверхня, на якій встановлений вимірювальний інструмент, відрізняється від горизонталі більше ніж на  $4^\circ$ , індикатор попередження про нівелювання (10) починає світитись червоним кольором і лазер автоматично вимикається.

У такому разі встановіть вимірювальний інструмент в горизонтальне положення і зачекайте, поки не буде здійснене автоматичне самонівелювання. Після того, як вимірювальний інструмент знову буде знаходитися в межах автоматичного нівелювання  $\pm 4^\circ$ , індикатор попередження про нівелювання (10) гасне і лазер вмикається.

За межами діапазону автоматичного нівелювання  $\pm 4^\circ$  працювати з автоматичним нівелюванням неможливо, оскільки не можна забезпечити точність нівелювання лазерних променів та перпендикулярність лазерних променів між собою.

При струсах та змінах положення протягом експлуатації вимірювальний інструмент знову автоматично нівелюється. Після повторного нівелювання, щоб запобігти помилкам в результаті зсування вимірювального приладу, перевірте положення

горизонтальної чи вертикальної лазерної лінії відносно базових точок.

#### Робота з блокуванням маятника (див. мал. Е)

Для роботи з блокуванням маятника натисніть кнопку блокування маятника **Lock (8)**. Якщо увімкнене блокування маятника, індикатор блокування маятника (12) світиться червоним.

Під час робіт з блокуванням маятника автоматичне нівелювання вимкнене. Вимірювальний інструмент можна тримати в руці або поставити на похилу поверхню. Лазерні лінії більше не нівелюються і не обов'язково проходять перпендикулярно одна до одної.

### Перевірка точності вимірювального інструмента

#### Фактори, що впливають на точність

Найбільший вплив справляє температура зовнішнього середовища. Особливо температурні перепади, що спостерігаються в міру віддалення від ґрунту, можуть спричинити відхилення лазерного променя.

Оскільки температурні коливання є найбільшими поблизу ґрунту, по можливості монтуйте вимірювальний інструмент на штативі і встановіть його посередині робочої ділянки.

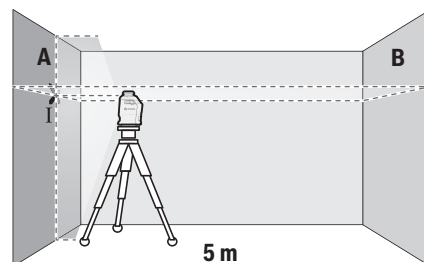
Поряд із зовнішніми умовами також і специфічні для інструменту умови (напр., струси або сильні удари) можуть призводити до відхилень. З цієї причини кожного разу перед початком роботи перевіряйте точність нівелювання.

Якщо під час однієї з перевірок вимірювальний інструмент перевищить максимально допустиме відхилення, його треба віднести на ремонт до майстерні **Bosch**.

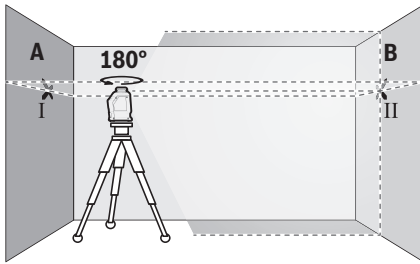
#### Перевірка точності горизонтального самонівелювання уздовж поперечної осі

Для перевірки потрібна вільна вимірювальна ділянка довжиною **5 м** на твердому ґрунті між двома стінами А і В.

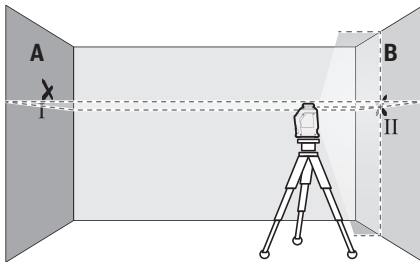
- Встановіть вимірювальний прилад коло стіни А на штатив або встановіть його на тверду, рівну поверхню. Увімкніть вимірювальний інструмент. Увімкніть режим роботи з перехресними лініями з автоматичним нівелюванням.



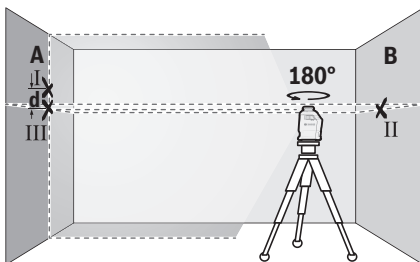
- Спрямуйте лазер на ближчу стіну А та дайте йому нівелюватися. Позначте середину точки, в якій лазерні лінії перехреснюються на стіні (точка I).



- Поверніть вимірювальний прилад на  $180^\circ$ , дайте йому нівелюватися і позначте точку, в якій лазерні лінії перехрещуються на протилежній стіні В (точка II).
- Розташуйте вимірювальний прилад, не повертаючи його, коло стіни В, увімкніть його та дайте йому нівелюватися.



- Вирівняйте вимірювальний інструмент по висоті таким чином (за допомогою штатива або підмостивши щонебудь під нього), щоб точка, в якій перехрещуються лазерні лінії, точно потрапляла на позначену раніше точку II на стіні В.



- Поверніть вимірювальний прилад на  $180^\circ$ , не змінюючи його висоти. Спрямуйте його на стіну А таким чином, щоб вертикальна лазерна лінія проходила через раніше позначену точку I. Дайте вимірювальному приладу нівелюватися і позначте точку на стіні А, в якій перехрещуються лазерні лінії (точка III).
- Різниця **d** між двома позначеними на стіні А точками I і III – це фактичне відхилення вимірювального інструмента по висоті.

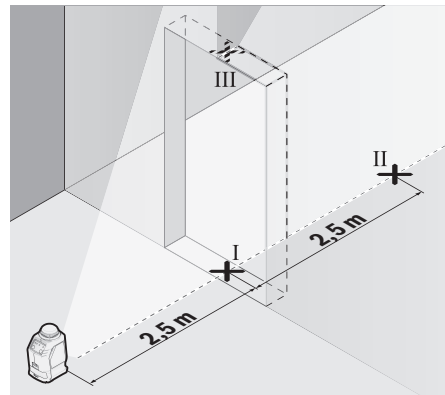
На ділянці  $2 \times 5 \text{ м} = 10 \text{ м}$  максимально допустиме відхилення становить:

$10 \text{ м} \times \pm 0,4 \text{ мм/м} = \pm 4 \text{ мм}$ . Таким чином, різниця **d** між точками I і II може бути максимум **4 мм**.

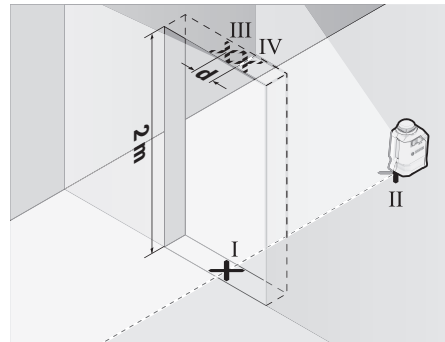
#### Перевірка точності нівелювання вертикальної лінії

Для перевірки Вам потрібний дверний проріз, в якому з обох боків від дверей є мін. 2,5 м (на твердому ґрунті).

- Встановіть вимірювальний інструмент на відстані 2,5 м від дверного прорізу на рівну тверду поверхню (не на штатив). Увімкніть вертикальний режим з автоматичним нівелюванням. Спрямуйте вертикальну лазерну лінію на дверний проріз і дайте вимірювальному інструменту самонівелюватися.



- Позначте середину вертикальної лазерної лінії на підлозі у дверному прорізі (точка I), на відстані 5 м з іншого боку дверного прорізу (точка II), а також з верхнього краю дверного прорізу (точка III).



- Поверніть вимірювальний прилад на  $180^\circ$  і поставте його з іншого боку дверного прорізу прямо поза точкою II. Дайте вимірювальному приладу нівелюватися і спрямуйте вертикальну лазерну лінію таким чином, щоб її середина проходила точно через точку I і II.
- Позначте середину лазерної лінії на верхньому краї дверного прорізу в якості точки IV.
- Різниця **d** між двома позначеними точками III і IV – це фактичне відхилення вимірювального інструмента від вертикалі.

– Поміряйте висоту дверного прорізу.  
Підрахуйте максимально допустиме відхилення наступним чином:  
подвійна висота дверного прорізу × 0,4 мм/м  
Приклад: При висоті дверного прорізу 2 м максимальне відхилення повинно складати  
 $2 \times 2 \text{ м} \times \pm 0,4 \text{ мм/м} = \pm 1,6 \text{ мм}$ . Точки III і IV повинні, таким чином, знаходитись на максимальній відстані 1,6 мм одна від одної.

### Вказівки щодо роботи

► Для позначення завжди використовуйте середину лазерної лінії. Ширина лазерної лінії міняється в залежності від відстані.

### Робота зі штативом (приладдя)

Штатив забезпечує стабільну підставку для вимірювання, висоту якої можна регулювати. Поставте вимірювальний інструмент гніздом під штатив 1/4" (3) на різьбу штатива (23) або звичайного фотоштатива. Зафіксуйте вимірювальний інструмент кріпильним гвинтом штатива. Грубо вирівняйте штатив, перш ніж вмикати вимірювальний прилад.

### Фіксація за допомогою універсального кріплення (приладдя) (див. мал. Н-О)

За допомогою універсального кріплення (13) можна зафіксувати вимірювальний інструмент, напр., на вертикальних поверхнях, трубах або намагнічених матеріалах. Універсальне кріплення можна використовувати також в якості підставки. Воно полегшує вирівнювання приладу по висоті.

Для закріплення вимірювального інструмента на універсальному кріпленні (13) затягніть гвинт 1/4" (15) кріплення в гнізді під штатив (3) на вимірювальному інструменті.

Щоб повернути або перемістити вимірювальний інструмент на кріпленні, трохи відпустіть гвинт 1/4" (15).

При використанні зі стельовою скобою (14) вимірювальний інструмент можна переміщувати вгору та вниз за допомогою поворотної ручки (17) для точного регулювання.

Грубо вирівняйте універсальне кріплення (13), перш ніж вмикати вимірювальний інструмент.

Вимірювальний інструмент можна прикріпити за допомогою універсального кріплення (13) наступним чином:

- Універсальне кріплення (13) (без стельової скоби (14)) можна прикріпити до поверхонь, що намагнічуються, за допомогою магнітів (19) (мал. L).
- Використовуйте універсальне кріплення (13) (без стельової скоби (14)) як настільний штатив. Для цього встановіть кріплення на підлозі та розкладіть стабілізуючі ніжки (20) кріплення (мал. M).
- Універсальне кріплення (13) (без стельової скоби (14)) можна прикрутити до гіпсокартону або дерева. Для цього вставте кріпильний гвинт

(звичайний) довжиною не менше 50 мм в отвір під гвинт (18) кріплення і вкрутіть його (мал. N).

- Універсальне кріплення (13) також можна прикріпити за допомогою фіксатора (16) на стельовій скобі (14) до стельової решітки або настінних рейок (мал. O).

### Окуляри для роботи з лазером (приладдя)

Окуляри для роботи з лазером відфільтровують світло зовнішнього середовища. Завдяки цьому світло лазера здається для очей світлішим.

► Не використовуйте окуляри для роботи з лазером (приладдя) як захисні окуляри. Окуляри для роботи з лазером забезпечують краще розпізнавання лазерного променя, однак не захищають від лазерного випромінювання.

► Не використовуйте окуляри для роботи з лазером (приладдя) як сонцезахисні окуляри та не вдягайте їх, коли ви знаходитеся за кермом. Окуляри для роботи з лазером не забезпечують повний захист від УФ променів та погіршують розпізнавання кольорів.

## Технічне обслуговування і сервіс

### Технічне обслуговування і очищення

Завжди тримайте вимірювальний прилад в чистоті.

Не занурюйте вимірювальний прилад у воду або інші рідини.

Витирайте забруднення вологою м'якою ганчіркою. Не використовуйте жодних миючих засобів або розчинників. Зокрема, регулярно прочищайте поверхні коло вихідного отвору лазера і слідкуйте при цьому за тим, щоб не залишалося ворсинок.

Зберігайте і переносьте вимірювальний інструмент лише в футлярі (24).

Надсилайте вимірювальний інструмент на ремонт в футлярі (24).

### Сервіс і консультації з питань застосування

В сервісній майстерні Ви отримаєте відповідь на Ваші запитання стосовно ремонту і технічного обслуговування Вашого продукту. Малюнки в деталях і інформацію щодо запчастин можна знайти за адресою: [www.bosch-pt.com](http://www.bosch-pt.com) Команда співробітників Bosch з надання консультацій щодо використання продукції із задоволенням відповідь на Ваші запитання стосовно нашої продукції та приладдя до неї.

При всіх додаткових запитаннях та замовленні запчастин, будь ласка, зазначайте 10-значний номер для замовлення, що стоїть на паспортній таблиці продукту.

Гарантійне обслуговування і ремонт електроінструменту здійснюються відповідно до вимог і норм виготовлювача на території всіх країн лише у фірмових або авторизованих сервісних центрах фірми «Роберт Бош».

ПОПЕРЕДЖЕННЯ! Використання контрафактної продукції небезпечно в експлуатації і може мати негативні наслідки для здоров'я. Виготовлення і розповсюдження

контрафактної продукції переслідується за Законом в адміністративному і кримінальному порядку.

### Україна

Бош Сервісний Центр електроінструментів  
вул. Крайня 1  
02660 Київ 60  
Тел.: +380 44 490 2407  
Факс: +380 44 512 0591  
E-Mail: pt-service@ua.bosch.com  
www.bosch-professional.com/ua/uk

Адреса Регіональних гарантійних сервісних майстерень за-значена в Національному гарантійному талоні.

### Адреси інших сервісних центрів наведено нижче:

www.bosch-pt.com/serviceaddresses

### Утилізація

Вимірювальні інструменти, акумулятори/батареї, приладді і упаковку треба здавати на екологічно чисту повторну переробку.



Не викидайте вимірювальні інструменти і акумуляторні батареї/батареї в побутове сміття!

### Лише для країн ЄС:

Відповідно до європейської директиви 2012/19/EU вимірювальні інструменти, що вийшли із вживання, та відповідно до європейської директиви 2006/66/EC пошкоджені або відпрацьовані акумуляторні батареї/батареї повинні здаватися окремо і утилізуватися екологічно чистим способом.

істетпей 5 жыл сақтағаннан соң, өнімді тексерусіз (сервістік тексеру) пайдалану ұсынылмайды.

### Қызметкер немесе пайдаланушының қателіктері мен істен шығу себептерінің тізімі

- өнім корпусынан тікелей түтін шықса, пайдаланбаңыз
- жауын – шашын кезінде сыртта (далада) пайдаланбаңыз
- корпус ішіне су кірсе құрылғыны қосушы болмаңыз

### Шекті күй белгілері

- өнім корпусының зақымдалуы

### Қызмет көрсету түрі мен жиілігі

Әр пайдаланудан соң өнімді тазалау ұсынылады.

### Сақтау

- құрғақ жерде сақтау керек
- жоғары температура көзінен және күн сәулелерінің әсерінен алыс сақтау керек
- сақтау кезінде температураның кенет ауытқуынан қорғау керек
- егер құрал жұмсақ сөмке немесе пластик кейсте жеткізілсе оны осы өзінің қорғағыш қабында сақтау ұсынылады
- сақтау шарттары туралы қосымша ақпарат алу үшін МЕМСТ 15150 (Шарт 1) құжатын қараңыз

### Тасымалдау

- тасымалдау кезінде өнімді құлатуға және кез келген механикалық ықпал етуге қатаң тыйым салынады
- босату/жүктеу кезінде пакетті қысатын машиналарды пайдалануға рұқсат берілмейді.
- тасымалдау шарттары талаптарын МЕМСТ 15150 (5 шарт) құжатын оқыңыз.

## Қазақ

### Еуразия экономикалық одағына (Кеден одағына) мүше мемлекеттер аумағында қолданылады

Өндірушінің өнім үшін қарастырған пайдалану құжаттарының құрамында пайдалану жөніндегі осы нұсқаулық, сонымен бірге қосымшалар да болуы мүмкін.

Сәйкестікті растау жайлы ақпарат қосымшада бар.

Өнімді өндірген мемлекет туралы ақпарат өнімнің корпусында және қосымшада көрсетілген.

Өндірілген мерзімі Нұсқаулық мұқабасының соңғы бетінде және өнім корпусында көрсетілген.

Импортерге қатысты байланыс ақпарат өнім қаптамасында көрсетілген.

### Өнімді пайдалану мерзімі

Өнімнің қызмет ету мерзімі 7 жыл. Өндірілген мерзімнен бастап (өндіру күні зауыт тақтайшасында жазылған)

## Қауіпсіздік нұсқаулары



Өлшеу құралымен қауіпсіз және сенімді жұмыс істеу үшін барлық

нұсқаулықтарды оқып орындау керек.

Өлшеу құралын осы нұсқауларға сай пайдаланбау өлшеу құралындағы кірістірілген қауіпсіздік шараларына жағымсыз әсер етеді. Өлшеу құралындағы ескертулерді көрінбейтін қылмаңыз. **ОСЫ НҰСҚАУЛАРДЫ САҚТАП, ӨЛШЕУ ҚҰРАЛЫН БАСҚАЛАРҒА БЕРГЕНДЕ ОЛАРДЫ ҚОСА ҰСЫНЫҒЫЗ.**

- ▶ **Абай болыңыз – егер осы жерде берілген пайдалану немесе түзету құралдарынан басқа құралдан пайдаланса немесе басқа жұмыс әдістері орындалса бұл қауіпті сәулеге шалынуға алып келуі мүмкін.**
- ▶ **Өлшеу құралы лазер ескерту тақтасымен бірге жеткізіледі (графика бетіндегі өлшеу құралының суретінде белгіленген).**
- ▶ **Егер лазер ескерту тақтасының мәтіні еліңіздің тілінде болмаса, алғаш рет қолданысқа енгізбес бұрын оның орнына еліңіздің тіліндегі жапсырманы жабыстырыңыз.**



**Лазер сәулесін адамдарға немесе жануарларға бағыттамаңыз және өзіңіз де тікелей немесе шағылысқан лазер сәулесіне қарамаңыз.** Бұл адамдардың көзін шағылдыруы мүмкін, сәтсіз оқиғаларға әкелуі немесе көзге зақым келтіруі мүмкін.

- ▶ **Егер лазер сәулесі көзге түссе көздерді жұмып басты сәуледен ары қарату керек.**
- ▶ **Лазер құрылғысында ешқандай өзгерту орындамаңыз.**
- ▶ **Лазер көру көзілдірігін (керек-жарақ) қорғаныш көзілдірігі ретінде пайдаланбаңыз.** Лазер көру көзілдірігі лазер сәулесін жақсырақ көру үшін қолданылады, алайда лазер сәулесінен қорғайды.
- ▶ **Лазер көру көзілдірігін (керек-жарақ) күннен қорғайтын көзілдірік ретінде немесе жол қозғалысында пайдаланбаңыз.** Лазер көру көзілдірігі ультракүлгін сәулелерден толық қорғанысты қамтамасыз етпейді және түсті сезу қабілетін азайтады.
- ▶ **Өлшеу құралын тек білікті маманға және арнаулы бөлшектермен жөндетеңіз.** Сол арқылы өлшеу құрал қауіпсіздігін сақтайсыз.
- ▶ **Балаларға лазер өлшеу құралын бақылаусыз пайдалануға рұқсат етпеңіз.** Олар басқа адамдардың немесе өзінің көзін абайсыздан шағылыстыруы мүмкін.
- ▶ **Жанатын сұйықтықтар, газдар немесе шаң жиылған жарылыс қаупі бар ортада өлшеу құралын пайдаланбаңыз.** Өлшеу құралы ұшқын шығарып, шаңды жандырып, өрт тудыруы мүмкін.



**Магниттік керек-жарақтарды имплантаттардың және кардиостимулятор немесе инсулин сорғысы сияқты басқа да медициналық құрылғылардың жанына қоймаңыз.** Керек-жарақтардың магниттері имплантаттардың немесе медициналық құрылғылардың жұмысына әсер ететін өріс тудырады.

- ▶ **Магнитті аксессуарды магнитті дерек тасымалдаушылар мен магнитке сезімтал аспаптардан алыс ұстаңыз.** Аксессуарлар магниттерінің әсері қалпына келтіруге болмайтын деректер жоғалуына алып келуі мүмкін.

## Өнім және қуат сипаттамасы

Пайдалану нұсқаулығының алғы бөлігінің суреттерін ескеріңіз.

### Тағайындау бойынша қолдану

Өлшеу құралы көлденең және тік сызықтарды өлшеу және тексеруге арналған.

Өлшеу құралы ішкі аймақтарда пайдалануға арналмаған.

## Көрсетілген құрамды бөлшектер

Көрсетілген құрамдастар нөмірі суреттер бар беттегі өлшеу құралының сипаттамасына қатысты.

- (1) Лазер сәулесінің шығыс саңылауы
- (2) Ажыратқыш
- (3) Штатив бекіткіші, 1/4 дюйм
- (4) Сериялық нөмір
- (5) Лазер ескерту тақтасы
- (6) Батарея бөлімінің қақпағы
- (7) Батарея бөлімі қақпағының бекіткіші
- (8) Маятникті бұғаттау түймесі **Lock**
- (9) Лазер жұмыс режиміне арналған түйме **Mode**
- (10) Нивелир ескертуі
- (11) Лазер жұмыс режимінің индикаторы
- (12) Маятникті бұғаттау индикаторы
- (13) Әмбебап ұстағыш<sup>A)</sup>
- (14) Ұстағыштың төбелік қысқышы<sup>A)</sup>
- (15) Ұстағыштың 1/4 дюймдік бұрандасы<sup>A)</sup>
- (16) Төбелік қысқыштың бекіткіші<sup>A)</sup>
- (17) Төбелік қысқыштың айналмалы реттегіші<sup>A)</sup>
- (18) Ұстағыштың бұрандалы саңылауы<sup>A)</sup>
- (19) Магнит<sup>A)</sup>
- (20) Ұстағыштың тұрақтандыру аяқтары<sup>A)</sup>
- (21) Лазер көру көзілдірігі<sup>A)</sup>
- (22) Лазер нысандық тақтасы<sup>A)</sup>
- (23) Штатив<sup>A)</sup>
- (24) Шабадан<sup>A)</sup>

A) Бейнеленген немесе сипатталған жабдықтар стандартты жеткізу көлемімен қамтылмайды. Толық жабдықтарды біздің жабдықтар бағдарламамыздан табасыз.

## Техникалық мәліметтер

Айқыш-ұйқыш лазерлік уровень	GLL 2-20
Өнім нөмірі	<b>3 601 K63 J00</b>
Жұмыс аймағы (диаметрі), ең көбі шам. <sup>A)</sup>	20 м
Нивелирлеу дәлдігі <sup>B)C)</sup>	±0,4 мм/м
Әдеттегі өздігінен нивелирлеу диапазоны	±4°
Әдеттегі нивелирлеу уақыты	4 с
Жұмыс температурасы	+5°C ... +40°C
Сақтау температурасы	-20°C ... +70°C
Негізгі биіктіктің үстіндегі макс. пайдалану биіктігі	2000 м
Сальстырмалы ауа ылғалдылығы, макс.	90%
Ластану дәрежесі IEC 61010-1 стандарты бойынша	2 <sup>D)</sup>

Айқыш-ұйқыш лазерлік уровень	GLL 2-20
Лазер класы	2
Лазер түрі	< 1 мВт, 630–650 нм
C <sub>6</sub>	1
Айырмашылық	1,5 мрад
Штатив бекіткіші	1/4 дюйм
Батареялар	4 × 1,5 В LR6 (AA)
Аккумуляторлар	4 × 1,2 В HR6 (AA)
Жұмыс ұзақтығы шам.	12 сағ
Салмағы ЕРТА-Procedure 01:2014 құжатына сай	0,38 кг
Өлшемдері (ұзындығы × ені × биіктігі)	85 × 70 × 125 мм

- A) Жұмыс аймағын қолайсыз қоршау шарттарында (мысалы тікелей күн сәулелерінде) қысқарту мүмкін.
- B) 20–25 °C
- C) Көрсетілген мәндер қалыпты және жағымды қоршаған орта шарттарын (мысалы, дірілсіз, тұмансыз, түтінсіз, тікелей күн сәулесінсіз) талап етеді. Температура шұғыл өзгерген жағдайда, дәлдік ауытқуы мүмкін.
- D) Тек қана тоқ өткізбейтін лас пайда болады, бірақ кейбір жағдайларда еру нәтижесінде тоқ өткізу қабілеті пайда болуы күтіледі.

Өлшеу құралының зауыттық тақтайшадағы сериялық нөмірі (4) оны дұрыс анықтауға көмектеседі.

## Жинау

### Батареяларды енгізу/алмастыру

Өлшеу құралы үшін алкалин марганец батареясын немесе аккумуляторын пайдалану ұсынылады.

Батарея бөлімінің қақпағын (6) ашу үшін бекітішті (7) басып, батарея бөлімінің қақпағын ашыңыз. Батареяны немесе аккумуляторды салыңыз.

Батарея бөлімі қақпағының (6) ішіндегі суретте көрсетілгендей полюстердің дұрыс орналасуын қамтамасыз етіңіз.

Барлық батареялар немесе аккумуляторларды бірдей алмастырыңыз. Тек бір өндірушінің және қуаты бірдей батареялар немесе аккумуляторларды пайдаланыңыз.

- **Өлшеу құралын ұзақ уақыт пайдаланбаңыз, батареяларды немесе аккумуляторларды өлшеу құралынан шығарып алыңыз.** Ұзақ уақыт жатқан батареялар немесе аккумуляторлар тот басуы және зарядын жоғалтуы мүмкін.

## Пайдалану

### Пайдалануға ендіру

- **Өлшеу құралын сыздан және тікелей күн сәулелерінен сақтаңыз.**
- **Өлшеу құралына айрықша температура немесе температура өзгерістерінің әсерін тигізуге**

**болмайды.** Оны, мысалы, автомобиль ішінде ұзақ уақытқа қалдырмаңыз. Температура өзгерістері шұғыл болған жағдайда, алдымен өлшеу құралының тұрақты температурасын сақтаңыз және жұмысты жалғастырмаз бұрын әрдайым дәлдік тексерісін өткізіңіз (қараңыз „Өлшеу құралының дәлдігін тексеру“, Бет 49).

Айрықша температура немесе температура өзгерістері орын алған жағдайда, өлшеу құралының дәлдігі төмендеуі мүмкін.

- **Өлшеу құралын қатты соғылудан немесе түсуден сақтаңыз.** Сыртқы күшті әсерлерден кейін өлшеу құралының жұмысын жалғастырудан бұрын әрдайым дәлдік тексеруін орындау керек (қараңыз „Өлшеу құралының дәлдігін тексеру“, Бет 49).
- **Өлшеу құралын тасымалдаудан алдын оны қосыңыз.** Өшуде тербелу бөлігі бұғатталады, әйтпесе ол қатты әрекеттерде зақымдалуы мүмкін.

### Қосу/өшіру

Өлшеу құралын **қосу** үшін ажыратқышты (2) "On" күйіне жылжытыңыз. Өлшеу құралы қосылған соң бірден лазер сызықтарын шығыс саңылауларынан (1) жібереді.

- **Лазер сәулесін адамдарға немесе жануарларға бағыттамаңыз және тіпті алыстан болсын жарық сәулесіне өзіңіз қарамаңыз.**




Өлшеу құралының **өшіру** үшін қосқыш/өшіргішті (2) "Off" күйіне жылжытыңыз. Өшіру кезінде тербелу блогы бұғатталады.

- **Қосулы зарядтау құралын бақылаусыз қалдырмаңыз және өлшеу құралын пайдаланудан соң өшіріңіз.** Лазер сәулесімен адамдардың көзін шағылыстыру мүмкін.

### Пайдалану түрлері

Қосылған соң өлшеу құралы нивелирлеу автоматикасымен қиылысу жұмыс режимінде болады. Жұмыс режимін өзгерту үшін лазер жұмыс режимінің түймесін **Mode (9)** қажетті жұмыс режимі лазер жұмыс режимінің тиісті индикаторы (11) жануы арқылы көрсетілгенше басыңыз.

Төмендегі жұмыс режимдерін таңдауға болады:

Индикатор	Жұмыс режимі
	<b>Қиылысу режимі (A, B және E суреттерін қараңыз):</b> өлшеу құралы көлденең лазер жазықтығын (360° айналмалы лазер сызығы) және тік лазер сызығын шығарады.
	<b>Көлденең режим (C суретін қараңыз):</b> өлшеу құралы көлденең лазер жазықтығын шығарады.
	<b>Тік режим (D суретін қараңыз):</b> өлшеу құралы тік лазер сызығын шығарады.

Жұмыс режимдерінің барлығын нивелирлеу автоматикасымен де, маятникті бұғаттау тетігімен де таңдауға болады.



## Нивелирлеу автоматикасы

### Нивелирлеу автоматикасымен жұмыс істеу (F–G суреттерін қараңыз)

Нивелирлеу автоматикасымен жұмыс істеген кезде, маятникті бұғаттау индикаторы (12) жанбауы тиіс. Қажет болса, маятникті бұғаттау түймесін **Lock(8)** басу арқылы нивелирлеу автоматикасын маятникті бұғаттау индикаторы сөнетіндей етіп қайта қосыңыз.

Өлшеу құралын көлденең, берік бетке қойып, әмбебап ұстағышқа (13) немесе штативке (23) бекітіңіз.

Нивелирлеу автоматикасы  $\pm 4^\circ$  шамасындағы өздігінен нивелирлеу аймағында тегіс емес жерлерді автоматты түрде тегістейді. Лазер сызықтары одан ары қозғалмаса, нивелирлеу аяқталады.

Автоматты түрде нивелирлеу мүмкін болмаса, мысалы, өлшеу құралы тұрған бет көлденең сызықтан  $4^\circ$  шамасынан артық ығысса, нивелир ескертуі (10) жанып, лазер автоматты түрде өшіп қалады.

Бұл жағдайда өлшеу құралын көлденең қойып, нивелирлеу аяқталғанша күтіңіз. Өлшеу құралы  $\pm 4^\circ$  шамасындағы өздігінен нивелирлеу аймағының аясында қайтадан орналасса, нивелир ескертуі (10) сөніп, лазер қосылады.

$\pm 4^\circ$  өздігінен нивелирлеу аймағынан тыс нивелирлеу автоматикасымен жұмыс істеу мүмкін емес, себебі кері жағдайда лазер сәулелерінің нивелирлеу дәлдігі де, лазер сәулелерінің арасындағы дұрыс бұрыш та қамтамасыз етілмейді.

Пайдалану кезінде қағылулар болса немесе күй өзгерсе өлшеу құралы автоматты ретте өзін нивелирлейді. Жаңа нивелирленген соң өлшеу құралының жылжып қалуынан қателердің алдын алу үшін көлденең немесе тік лазер сызығының күйін негізгі нүктелерге салыстырып тексеріңіз.

### Маятникті бұғаттау тетігімен жұмыс істеу (E суретін қараңыз)

Маятникті бұғаттау тетігімен жұмыс істеу үшін маятникті бұғаттау түймесін **Lock (8)** басыңыз. Маятникті бұғаттау тетігі қосылып тұрғанда, маятникті бұғаттау индикаторы (12) қызыл түспен жанып тұрады.

Маятникті бұғаттау тетігімен жұмыс істеген кезде, нивелирлеу автоматикасы өшіріледі. Өлшеу құралын еркін қолда ұстауға немесе еңіс бетке қоюға болады. Лазер сызықтары бұдан былай нивелирленбейді және бір-біріне тігінен өтпейді.

## Өлшеу құралының дәлдігін тексеру

### Дәлдік әсерлері

Қоршау температурасы ең күшті әсер етеді. Еденнен жоғарыға болған температура өзгерістері лазер сәулесін ауытқуы мүмкін.

Температура айырмашылығы еденге жақын аймақта үлкен болғаны үшін, өлшеу құралын мүмкіндігінше штативке орнатып, жұмыс аймағының ортасына орналастыру қажет.

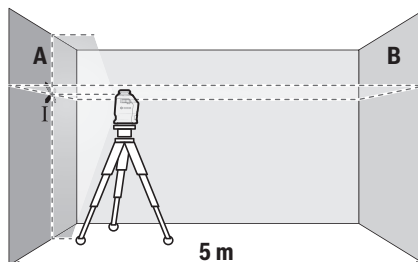
Сыртқы әсерлерден тыс аспаптық әсерлер де (мысалы қағылыс немесе қатты соққылар) ауытқуларға алып келуі мүмкін. Сол үшін әр жұмыстан алдын нивелирлеу дәлдігін тексеріңіз.

Егер өлшеу құралы тексеру кезінде максималды ауытқудан асырса, оны **Bosch** сервистік орталығында жөндетіңіз.

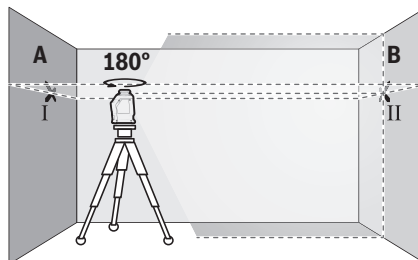
### Көлденең осьтің көлденең нивелирлеу дәлдігін тексеру

Тексеру үшін берік бетте А және В екі қабырғасының арасында **5 м** шамасындағы еркін өлшеу қашықтығы керек болады.

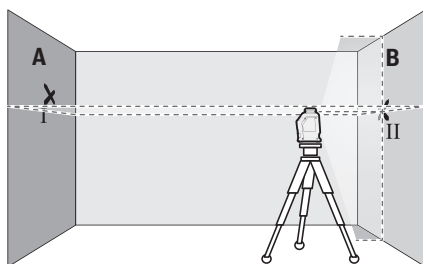
- Өлшеу құралын А қабырғасының жанындағы штативке немесе қатты тегіс бетке орнатыңыз. Өлшеу құралын қосыңыз. Нивелирлеу автоматикасымен қиысу жұмыс режимін таңдаңыз.



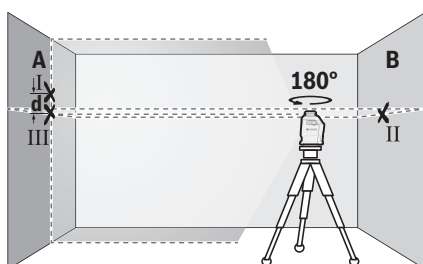
- Лазерді жақын А қабырғасына бағыттап, өлшеу құралын нивелирленіңіз. Лазер сызықтары қабырғада айқын-ұйқын нүктесінің ортасын белгілеңіз (I нүктесі).



- Өлшеу құралын  $180^\circ$  бұрап, оны нивелирлеп лазер сызықтарының арғы В қабырғасындағы айқын-ұйқын нүктесін белгілеңіз (II нүктесі).
- Өлшеу құралын бұрамай В қабырғасының қасында қойып, қосыңыз да нивелирленіңіз.



- Өлшеу құралының биіктігін (штативтер немесе бар болса тіреуіш көмегімен) лазер сызықтарының айқыш-ұйқыш нүктесі В қабырғасында алдымен белгіленген нүктеге II сәйкес болатындай бағыттаңыз.



- Өлшеу құралын 180° бұрап биіктігін өзгертіңіз. Оны А қабырғасына тік лазер сызығы белгіленген I нүктесінен өтетін етіп бағыттаңыз. Өлшеу құралын нивелирлеп, лазер сызықтарының айқыш-ұйқыш нүктесін А қабырғасында (III нүктесі) белгілеңіз.
- А қабырғасындағы I мен III екі белгіленген нүктенің **d** айырмашылығы өлшеу құралының дәл биіктіктен ауытқуын көрсетеді.

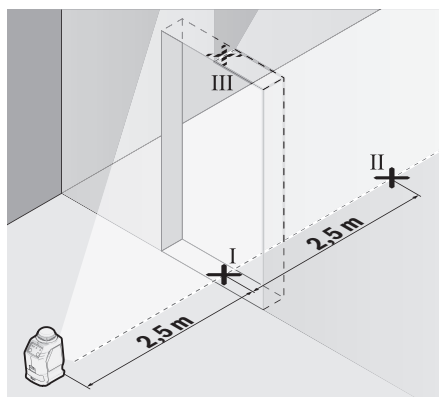
$2 \times 5 \text{ м} = 10 \text{ м}$  өлшеу қашықтығында рұқсат етілген максималды ауытқу:

$10 \text{ м} \times \pm 0,4 \text{ мм/м} = \pm 4 \text{ мм}$ . I мен II нүктелер арасындағы **d** айырмашылығы ең көбі 4 мм болуы керек.

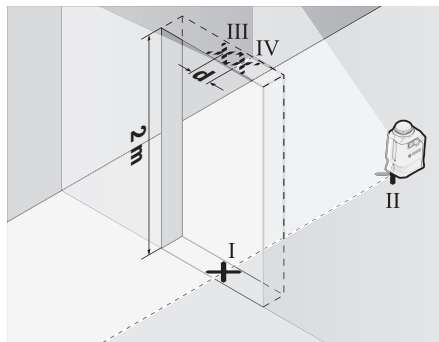
#### Тік сызықтың нивелирлеу дәлдігін тексеру

Тексеру үшін (қатты табанда) есіктің әр жағынан кемінде 2,5 м жай болатын есік тесігі керек.

- Өлшеу құралын есік саңылауынан 2,5 м қашықтықта, берік әрі тегіс бетке орналастырыңыз (штативке емес). Нивелирлеу автоматикасымен тік режимді таңдаңыз. Тік лазер сызығын есік саңылауына бағыттап, өлшеу құралын нивелирлеңіз.



- Тік лазер сызығының орталығын есік тесігінің еденінде (I нүктесі), 5 м қашықтықта есік тесігінің басқа жағында (II нүктесі) және есік тесігінің жоғарғы шетінде (III нүктесі) белгілеңіз.



- Өлшеу құралын 180° бұрап, есік тесігінің басқа жағында тікелей II нүктесінің артында орнатыңыз. Өлшеу құралын нивелирлеп, тік лазер сызығын орталығы нақты I мен II нүктелерінен өтетін етіп бағыттаңыз.
- Лазер сызығының орталығын есік тесігінің жоғарғы шетінде IV нүктесі ретінде белгілеңіз.
- А қабырғасындағы III мен IV екі белгіленген нүктенің **d** айырмашылығы өлшеу құралының дәл биіктіктен ауытқуын көрсетеді.
- Есік тесігінің биіктігін өлшеңіз. Максималды рұқсат етілетін ауытқу төмендегідей есептеледі:  
есік тесігінің қос биіктігі  $\times 0,4 \text{ мм/м}$   
Мысал: есік тесігінің 2 м биіктігіндегі максималды ауытқу:  
 $2 \times 2 \text{ м} \times \pm 0,4 \text{ мм/м} = \pm 1,6 \text{ мм}$ . Сондықтан III мен IV нүктелердің аралығы ең көбі 1,6 мм болуы керек.

#### Пайдалану нұсқаулары

- **Әрдайым тек лазер сызығының орталығын пайдаланыңыз.** Лазер сызығының ені қашықтықпен өзгереді.

**Штативпен жұмыс істеу (керек-жарақ)**

Штатив тұрақты және биіктігі реттелетін өлшеу табаны болады. Өлшеу құралын 1/4" штатив патронымен (3) штативтің (23) немесе стандартты фотоштативтің бұрандасына орнатыңыз. Өлшеу құралын штативтегі құлыптау бұрандасымен бекітіңіз.

Өлшеу құралын қосудан алдын штативті бағыттаңыз.

**Әмбебап ұстағышпен (керек-жарақ) бекіту (H-O суреттерін қараңыз)**

Әмбебап ұстағыш (13) көмегімен өлшеу құралын, мысалы, тік аймақтарда, құбырларда немесе магниттелетін материалдарда бекіту мүмкін. Әмбебап ұстағышты және едендік штатив ретінде де пайдалану мүмкін болып өлшеу құралының биіктік бойынша бағытталуын оңтайландырады.

Өлшеу құралын әмбебап ұстағышқа (13) бекіту үшін ұстағыштың 1/4 дюймдік бұрандасын (15) электр құралындағы штатив бекіткішіне (3) бұрап бекітіңіз.

Өлшеу құралын ұстағышта бұрау немесе жылжыту үшін 1/4 дюймдік бұранданы (15) аздап босатыңыз.

Төбелік қысқышпен (14) бірге пайдаланған кезде өлшеу құралын дәлдеп реттеу үшін айналмалы реттегішпен (17) жоғары және төмен қарай жылжытуға болады.

Өлшеу құралын қосудан алдын әмбебап ұстағышты (13) дәрекі бағыттаңыз.

Әмбебап ұстағыштың (13) көмегімен өлшеу құралын төмендегідей бекітуге болады:

- Әмбебап ұстағышты (13) (төбелік қысқышсыз (14)) магниттердің көмегімен (19) магниттендірілген беттерге бекітуге болады (L суреті).
- Әмбебап ұстағышты (13) (төбелік қысқышсыз (14)) үстелдік штатив ретінде қолданыңыз. Ол үшін ұстағышты жерге қойып, ұстағыштың тұрақтандыру аяқтарын (20) жайыңыз (M суреті).
- Әмбебап ұстағышты (13) (төбелік қысқышсыз (14)) гипскартонға немесе ағашқа бұрап бекітуге болады. Ол үшін кемінде 50 мм ұзындықты бекіткіш бұранданы (стандартты) ұстағыштың бұрандалы саңылауына (18) енгізіп, оны бұрап бекітіңіз (N суреті).
- Әмбебап ұстағышты (13) бекіткіштің (16) көмегімен төбе рамасындағы немесе қабырға планкасындағы төбелік қысқышқа (14) бекітуге де болады (O суреті).

**Лазер көру көзілдірігі (керек-жарақ)**

Лазер көру көзілдірігі қоршау жарықтығын сүзгілейді. Осылай лазер жарығы көз үшін жарқынрақ болады.

- ▶ **Лазер көру көзілдірігін (керек-жарақ) қорғаныш көзілдірігі ретінде пайдаланбаңыз.** Лазер көру көзілдірігі лазер сәулесін жақсырақ көру үшін қолданылады, алайда лазер сәулесінен қорғамайды.
- ▶ **Лазер көру көзілдірігін (керек-жарақ) күннен қорғайтын көзілдірік ретінде немесе жол қозғалысында пайдаланбаңыз.** Лазер көру көзілдірігі ультракүлгін сәулелерден толық қорғанысты қамтамасыз етпейді және түсті сезу қабілетін азайтады.

**Техникалық күтім және қызмет****Қызмет көрсету және тазалау**

Өлшеу құралын таза ұстаңыз.

Өлшеу құралын суға немесе басқа сұйықтықтарға батырмаңыз.

Ластануларды суланған, жұмсақ шүберекпен сүртіңіз.

Жуғыш заттарды немесе еріткіштерді пайдаланбаңыз.

Лазер шығыс тесігіндегі аймақтарды сапалы тазалайтын қылшықтарға назар аударыңыз.

Өлшеу құралын тек шабаданда (24) сақтап тасымалдаңыз.

Жөндеу қажет болса, өлшеу құралын шабаданда (24) жіберіңіз.

**Тұтынушыға қызмет көрсету және пайдалану кеңестері**

Қызмет көрсету орталығы өнімді жөндеу және оған техникалық қызмет көрсету, сондай-ақ қосалқы бөлшектер туралы сұрақтарға жауап береді. Құрамдас бөлшектер бойынша кескін мен қосалқы бөлшектер туралы мәліметтер төмендегі мекенжай бойынша қолжетімді: [www.bosch-pt.com](http://www.bosch-pt.com)

Bosch қызметтік кеңес беру тобы біздің өнімдер және олардың керек-жарақтары туралы сұрақтарыңызға жауап береді.

Сұрақтар қою және қосалқы бөлшектерге тапсырыс беру кезінде міндетті түрде өнімнің фирмалық тақтайшасындағы 10 таңбалы өнім нөмірін беріңіз.

Өндіруші талаптары мен нормаларының сақталуымен электр құралын жөндеу және кепілді қызмет көрсету барлық мемлекеттер аумағында тек “Роберт Бош” фирмалық немесе авторизацияланған қызмет көрсету орталықтарында орындалады. ЕСКЕРТУ! Заңсыз жолмен әкелінген өнімдерді пайдалану қауіпті, денсаулығыңызға зиян келтіруі мүмкін. Өнімдерді заңсыз жасау және тарату әкімшілік және қылмыстық тәртіп бойынша Заңмен қудаланады.

**Қазақстан**

Тұтынушыларға кеңес беру және шағымдарды қабылдау орталығы:

“Роберт Бош” (Robert Bosch) ЖШС

Алматы қ.,

Қазақстан Республикасы

050012

Муратбаев к., 180 үй

“Гермес” БО, 7 қабат

Тел.: +7 (727) 331 31 00

Факс: +7 (727) 233 07 87

E-Mail: [ptka@bosch.com](mailto:ptka@bosch.com)

Сервистік қызмет көрсету орталықтары мен қабылдау пунктерінің мекен-жайы туралы толық және өзекті ақпаратты Сіз: [www.bosch-professional.kz](http://www.bosch-professional.kz) ресми сайттан ала аласыз

**Кызмет көрсету орталықтарының басқа да мекенжайларын мына жерден қараңыз:**

[www.bosch-pt.com/serviceaddresses](http://www.bosch-pt.com/serviceaddresses)

### Кәдеге жарату

Өлшеу құралын, аккумуляторын/батареяларын, оның жабдықтары мен орамасын қоршаған ортаны қорғайтын ретте кәдеге жарату орнына тапсыру қажет.



Өлшеу құралдарын және аккумуляторларды/батареяларды үй қоқысына тастамаңыз!

### Тек қана ЕО елдері үшін:

Еуропа 2012/19/EU ережесі бойынша жарамсыз өлшеу құралдары және Еуропа 2006/66/ЕС ережесі бойынша зақымдалған немесе ескі аккумулятор/батареялар бөлек жиналып кәдеге жаратылуы қажет.

## Македонски

### Безбедносни напомени



Сите упатства треба да се прочитаат и да се внимава на нив, за да може безбедно и без опасност да работите со мерниот уред. Доколку мерниот уред не се користи согласно приложените инструкции, може да се наруши функцијата на вградените заштитни механизми во мерниот уред. Не ги оштетувајте налепниците за предупредување. **ДОБРО ЧУВАЈТЕ ГИ ОВИЕ УПАТСТВА И ПРЕДАДЕТЕ ГИ ЗАЕДНО СО МЕРНИОТ УРЕД.**

- ▶ **Внимание – доколку користите други уреди за подесување и ракување освен овде наведените или поинакви постапки, ова може да доведе до опасна изложеност на зрачење.**
- ▶ **Мерниот уред се испорачува со ознака за предупредување за ласерот (означено на приказот на мерниот уред на графичката страна).**
- ▶ **Доколку текстот на ознаката за предупредување за ласерот не е на Вашиот јазик, врз него залепете ја налепницата на Вашиот јазик пред првата употреба.**



**Не го насочувајте ласерскиот зрак кон лица или животни и немојте и Вие самите да гледате во директниот или рефлектирачкиот ласерски зрак.** Така може да ги заслепите лицата, да предизвикате несреќи или да ги оштетите очите.

- ▶ **Доколку ласерскиот зрак доспее до очите, веднаш треба да ги затворите и да ја тргнете главата од ласерскиот зрак.**

- ▶ **Не правете промени на ласерскиот уред.**
- ▶ **Не ги користете ласерските заштитни очила (дополнителна опрема) како заштитни очила.** Ласерските заштитни очила служат за подобро распознавање на ласерскиот зрак; сепак, тие не штитат од ласерското зрачење.
- ▶ **Не ги користете ласерските заштитни очила (дополнителна опрема) како очила за сонце или пак во сообраќајот.** Ласерските очила не даваат целосна UV-заштита и го намалуваат препознавањето на бои.
- ▶ **Мерниот уред смее да се поправа само од страна на квалификуван стручен персонал и само со оригинални резервни делови.** Само на тој начин ќе бидете сигурни во безбедноста на мерниот уред.
- ▶ **Не ги оставајте децата да го користат ласерскиот мерен уред без надзор.** Без надзор, тие може да се заслепат себеси или други лица.
- ▶ **Не работете со мерниот уред во околина каде постои опасност од експлозија, каде има запаливи течности, гас или прашина.** Мерниот уред создава искри, кои може да ја запалат правта или пареата.



**Не ја принесувајте магнетната опрема во близина на импланти или други медицински уреди, на пр. пејсмејкери или инсулинска пумпа.** Магнетите на опремата создаваат поле кое може да ја наруши на функцијата на имплантите или на медицинските уреди.

- ▶ **Магнетната опрема држете ја подалеку од магнетски носачи на податоци и уреди чувствителни на магнет.** Поради влијанието на магнетот на опремата може да дојде до неповратно губење на податоците.

### Опис на производот и перформансите

Внимавајте на сликите во предниот дел на упатството за користење.

#### Употреба со соодветна намена

Мерниот уред е наменет за одредување и проверка на хоризонтални и вертикални линии.

Мерниот уред е погоден за користење во внатрешен простор.

#### Илустрација на компоненти

Нумерирањето на сликите со компоненти се однесува на приказот на мерниот уред на графичката страница.

- (1) Излезен отвор за ласерскиот зрак
- (2) Прекинувач за вклучување/исклучување
- (3) Прифат на стативот 1/4"
- (4) Сериски број
- (5) Натпис за предупредување на ласерот

- (6) Капак на преградата за батерии
- (7) Фиксирање на капакот од преградата за батерии
- (8) Копче за осцилаторна блокада **Lock**
- (9) Копче за режимот на работа на ласерот **Mode**
- (10) Предупредување за нивелирањето
- (11) Приказ за режимот на работа на ласерот
- (12) Приказ осцилаторна блокада
- (13) Универзален држач<sup>A)</sup>
- (14) Стегата за покрив на држачот<sup>A)</sup>
- (15) 1/4"-завртка на држачот<sup>A)</sup>
- (16) Блокада на стегата за покрив<sup>A)</sup>
- (17) Вртливо копче на стегата за покрив<sup>A)</sup>
- (18) Отвор за завртката на држачот<sup>A)</sup>
- (19) Магнет<sup>A)</sup>
- (20) Ногарки за стабилизирање на држачот<sup>A)</sup>
- (21) Ласерски заштитни очила<sup>A)</sup>
- (22) Ласерска целна табла<sup>A)</sup>
- (23) Статив<sup>A)</sup>
- (24) Куфер<sup>A)</sup>

A) Илустрираната или опишана опрема не е дел од стандардниот обем на испорака. Целосната опрема може да ја најдете во нашата Програма за опрема.

## Технички податоци

Ласер со вкрстени линии	GLL 2-20
Број на дел/артикул	<b>3 601 K63 J00</b>
Работно поле (дијаметар) до околу <sup>A)</sup>	20 m
Точност на нивелирање <sup>B)C)</sup>	±0,4 mm/m
Типично поле на самонивелирање	±4°
Типично време на нивелирање	4 s
Оперативна температура	+5 °C ... +40 °C
Температура при складирање	-20 °C ... +70 °C
Макс. оперативна висина преку референтната висина	2000 m
Макс. релативна влажност на воздухот.	90 %
Степен на извалканост според ИЕС 61010-1	2 <sup>D)</sup>
Класа на ласер	2
Тип на ласер	< 1 mW, 630-650 nm
C <sub>6</sub>	1
Отстапување	1,5 mrad
Прифат за стативот	1/4"
Батерии	4 × 1,5 V LRG (AA)
Акумулаторски батерии	4 × 1,2 V HR6 (AA)
Времетраење на работа околу.	12 h

Ласер со вкрстени линии	GLL 2-20
Тежина согласно ЕРТА-Procedure 01:2014	0,38 kg
Димензии (должина × ширина × висина)	85 × 70 × 125 mm

- A) Работното поле може да се намали поради неповолни услови на околината (на пр. директна изложеност на сончеви зраци).
- B) кај **20-25 °C**
- C) Дадените вредности предвидуваат нормални до поволни услови на околината (на пр. нема вибрации, нема магла, нема чад, нема изложеност на сончеви зраци). По екстремни температури може да дојде до отстапување во точноста.
- D) Настануваат само неспроводливи нечистотии, но повремено се очекува привремена спроводливост предизвикана од кондензација.

Серискиот број (4) на спецификационата плочка служи за јасна идентификација на Вашиот мерен уред.

## Монтажа

### Ставање/менување на батерии

За работа со мерниот уред се препорачува користење на алкално-мангански батерии.

За отворање на поклопецот на преградата за батерии (6) притиснете на блокадата (7) и отворете го поклопецот на преградата за батерии. Ставете ги батериите одн. акумулаторските батерии внатре.

Притоа внимавајте на половите во согласност со приказот на внатрешната страна на поклопецот од преградата за батерии (6).

Секогаш заменувајте ги сите батерии одеднаш. Користете само батерии од еден производител и со ист капацитет.

- Доколку не сте го користеле мерниот уред подолго време, извадете ги батериите од него. Доколку се подолго време складирани, батериите може да кородираат и да се испразнат.

## Употреба

### Ставање во употреба

- Заштитете го мерниот уред од влага и директно изложување на сончеви зраци.
- Не го изложувајте мерниот уред на екстремни температури или температурни осцилации. На пр. не го оставајте долго време во автомобилот. При големи температурни осцилации, оставете го мерниот уред прво да се аклиматизира и направете проверка за точноста секогаш пред да продолжите со работа (види „Контрола на точноста на мерниот уред“, Страница 54).
- При екстремни температури или температурни осцилации, прецизноста на мерниот уред може да се наруши.
- Избегнувајте удари и превртувања на мерниот уред. По силни надворешни влијанија на мерниот уред, пред да го употребите за работа, секогаш

извршете контрола на точноста (види „Контрола на точноста на мерниот уред“, Страница 54).

- ▶ **Исклучете го мерниот уред за време на транспортот.** При исклучувањето, се блокира осцилирачката единица, која би се оштетила при интензивни движења.

#### Вклучување/исклучување

За **вклучување** на мерниот уред притиснете на прекинувачот за вклучување/исклучување **(2)** во позиција „**On**“. Веднаш по вклучувањето, мерниот уред пушта ласерски линии од излезните отвори **(1)**.

- ▶ **Не го насочувајте зракот светлина кон лица или животни и не погледнувајте директно во него, дури ни од голема оддалеченост.**

За **исклучување** на мерниот уред притиснете го прекинувачот за вклучување/исклучување **(2)** во позиција **Off**. При исклучување, осцилирачката единица се блокира.




- ▶ **Не го оставајте вклучениот мерен уред без надзор и исклучете го по употребата.** Другите лица може да се заслепат од ласерскиот зрак.

#### Начини на работа

По вклучувањето, мерниот уред се наоѓа во режим со вкрстени линии со автоматика за нивелирање.

За да го смените режимот на работа, притискајте на копчето за режим на работа на ласерот **Mode (9)**, додека не се прикаже саканиот режим на работа со светење на соодветните прикази за режими на работа на ласерот **(11)**.

Може да избирате помеѓу следниве режими на работа:

Приказ	Начин на работа
	<b>Режим на вкрстени линии</b> (види слики <b>A, B</b> и <b>E</b> ): Мерниот уред произведува хоризонтална ласерска површина (360° ротирачка ласерска линија) и вертикална ласерска линија.
	<b>Хоризонтален режим</b> (види слика <b>C</b> ): Мерниот алат произведува хоризонтална ласерска површина.
	<b>Вертикален режим</b> (види слика <b>D</b> ): Мерниот уред произведува вертикална ласерска линија.

Сите начини на работа може да се изберат со автоматика за нивелирање како и со осцилаторна блокада.

#### Автоматика за нивелирање

##### Работење со автоматика за нивелирање (види слики **F–G**)

При работење со автоматика за нивелирање, приказот за осцилаторна блокада **(12)** не смее да свети. Доколку е потребно, вклучете ја автоматиката за нивелирање со повторно притискање на копчето за осцилаторна блокада

**Lock (8)** со што приказот за осцилаторна блокада ќе се изгаси.

Поставете го мерниот уред на хоризонтална, цврста подлога, прицврстете го на универзалниот држач **(13)** или на стативот **(23)**.

Автоматиката за нивелирање автоматски ги израмнува нерамнините во полето на самонивелирање од  $\pm 4^\circ$ . Нивелирањето е завршено штом ласерските линии не се движат повеќе.

Доколку не е возможно автоматско нивелирање, на пр. бидејќи површината на која е поставен мерниот уред отстапува повеќе од  $4^\circ$ , предупредувањето за нивелирање **(10)** свети црвено и ласерот повторно се исклучува.

Во ваков случај, поставете го мерниот уред хоризонтално и почекајте го самонивелирањето. Откако мерниот уред повторно ќе се најде во полето на самонивелирање од  $\pm 4^\circ$ , предупредувањето за нивелирање се гаси **(10)** и ласерот се вклучува.

Надвор од полето на самонивелирање од  $\pm 4^\circ$  работењето со автоматиката за нивелирање не е возможно, бидејќи не може да се гарантира ниту точноста на нивелирање на ласерските зраци, ниту точниот агол помеѓу ласерските зраци.

При вибрации или промена на положбата за време на работата, мерниот уред повторно се нивелира автоматски. По повторното нивелирање, проверете ја позицијата на хоризонталната одн. вертикалната ласерска линија во однос на референтните точки за да се избегнат грешки со поместување на мерниот уред.

##### Работење со осцилаторна блокада (види слика **E**)

За работење со осцилаторна блокада, притиснете го копчето за осцилаторна блокада **Lock (8)**. При вклучена осцилаторна блокада, приказот за осцилаторна блокада свети **(12)** црвено.

При работа со осцилаторна блокада автоматиката за нивелирање е исклучена. Мерниот уред може да го држите слободно во рака или да го поставите на навалена подлога. Ласерските линии повеќе не се нивелираат и не мора да се вертикално една кон друга.

#### Контрола на точноста на мерниот уред

##### Влијанија на точноста

Најголемо влијание врши околната температура. Особено температурните разлики кои се движат од подот нагоре може да го пренасочат ласерскиот зрак.

Бидејќи топлинското раслојување е најголемо во близина на подот, доколку е возможно монтирајте го мерниот уред на статив и поставете го во средината на работната површина.

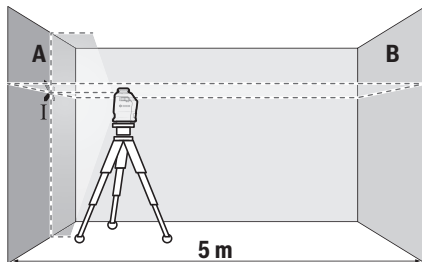
Освен надворешните влијанија, до отстапување може да доведат и влијанијата специфични за уредот (како на пр. падови или јаки удари). Затоа, пред секој почеток на работа проверете ја точноста на нивелирањето.

Доколку при некоја од проверките мерниот уред го надмине максималното отстапување, тогаш треба да се поправи од страна на сервисната служба на **Bosch**.

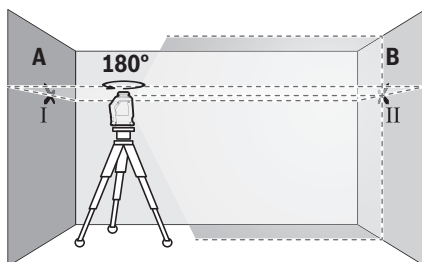
### Проверка на хоризонталната точност при нивелирање на попречната оска

За проверката потребна ви е слободна мерна линија од 5 m на цврста подлога помеѓу два зида А и В.

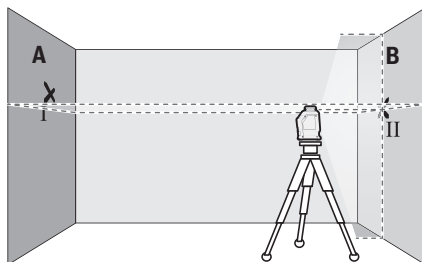
- Монтирајте го мерниот уред во близина на ѕидот А на статив или поставете го на цврста, рамна подлога. Вклучете го мерниот уред. Изберете го режимот на вкрстени линии со автоматиката за нивелирање.



- Насочете го лазерот во близина на ѕидот А и оставете го мерниот уред да се нивелира. Обележете ја средината на точката, каде лазерските линии се вкрстуваат на ѕидот (точка I).

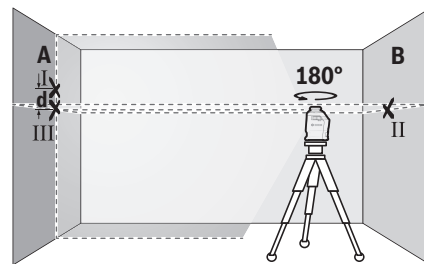


- Свртете го мерниот уред за 180°, оставете го да се нивелира и означете ја точката на вкрстување на лазерските линии на спротивниот ѕид В (точка II).
- Поставете го мерниот уред – без да го вртите – во близина на ѕидот В, вклучете го и оставете го да се нивелира.



- Поставете го мерниот уред по висина (со помош на стативот или евентуално со подлогата), така што

точката на вкрстување на лазерските линии точно ќе ја погоди претходно означената точка II на ѕидот В.



- Свртете го мерниот уред за 180°, без да ја промените висината. Насочете го на ѕидот А, така што вертикалната лазерска линија проаѓа низ веќе означената точка I. Оставете го мерниот уред да се нивелира и означете ја точката на вкрстување на лазерските линии на ѕидот А (точка III).
- Разликата **d** на двете означени точки I и III на ѕидот А го дава фактичкото отстапување од висината на мерниот уред.

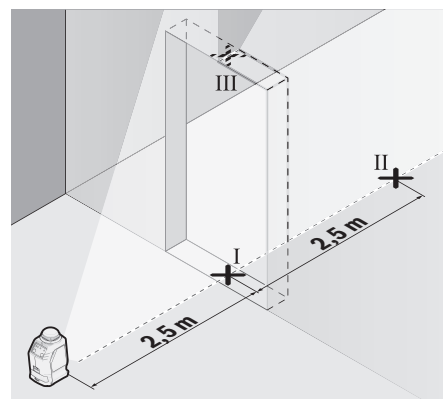
На мерна линија од  $2 \times 5 \text{ m} = 10 \text{ m}$  максималното дозволено отстапување изнесува:

$10 \text{ m} \times \pm 0,4 \text{ mm/m} = \pm 4 \text{ mm}$ . Разликата **d** меѓу точките I и II смее да изнесува најмногу 4 mm.

### Проверка на точноста на нивелирањето на вертикалната линија

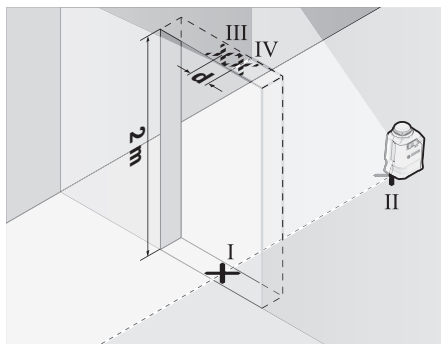
За контрола потребен ви е отвор од вратата, каде (на цврста подлога) на секоја страна од вратата има место од најмалку 2,5 m.

- Поставете го мерниот уред на 2,5 m растојание од отворот на вратата на цврста, рамна подлога (не на статив). Изберете го вертикалниот режим со автоматиката за нивелирање. Насочете ја вертикалната лазерска линија на отворот од вратата и оставете го мерниот уред да нивелира.



- Означете ја средината на вертикалната лазерска линија на подот од отворот на вратата (точка I), на 5 m растојание од другата страна на отворот од вратата

(точка II), како и на горниот раб на вратата од отворот (точка III).



- Свртете го мерниот уред за 180° и поставете го на другата страна на отворот на вратата директно зад точката II. Оставете го мерниот уред да се нивелира и насочете ја вертикалната ласерска линија така што нејзината средина ќе поминува точно низ точките I и II.
- Обележете ја средината на ласерската линија на горниот раб на отворот на вратата како точка IV.
- Разликата  $d$  на двете означени точки III и IV го дава фактичкото отстапување на мерниот уред од вертикалните линии.
- Измерете ја висината на отворот од вратата.

Максималното дозволено отстапување го пресметуваат на следниот начин:

двојна висина на отворот на вратата  $\times 0,4$  mm/m

Пример: При висина на отворот на вратата од 2 m максималното отстапување смее да изнесува  $2 \times 2 \text{ m} \times \pm 0,4 \text{ mm/m} = \pm 1,6 \text{ mm}$ . Точките III и IV смеат да лежат најмногу 1,6 mm една од друга.

### Совети при работењето

- **За обележување, секогаш користете ја само средината на ласерската линија.** Ширината на ласерската линија се менува со оддалечувањето.

### Работење со статив (опрема)

Стативот овозможува стабилна мерна подлога што може да се подесува по висина. Поставете го мерниот уред со 1/4"-прифатот на стативот (3) на навојот на стативот (23) или обичен фото статив. Зацврстете го мерниот уред со завртка за фиксирање на стативот.

Грубо центрирајте го стативот, пред да го вклучите мерниот уред.

### Прицврстување со универзален држач (опрема) (види слики H-O)

Со помош на универзалниот држач (13) може да го прицврстите мерниот уред на пр. на вертикални површини или магнетизирани материјали. Универзалниот држач и исто така погоден и како поден статив и го олеснува подесувањето по висина на мерниот уред.

За да го прицврстите мерниот уред на универзалниот држач (13) завртете ја 1/4"-завртката (15) на држачот во прифатот за статив (3) на мерниот уред.

За вртење одн. одвртување на мерниот уред на држачот, олабавете ја малку 1/4"-завртката (15).

При користење на стегата за покрив (14), мерниот уред може да се води со вртливото копче (17) нагоре или надолу за фино подесување.

Грубо центрирајте го универзалниот држач (13), пред да го вклучите мерниот уред.

Со помош на универзалниот држач (13) може да се прицврсти мерниот уред на следниот начин:

- Универзалниот држач (13) (без стега за покрив (14)) може да се прицврсти со магнетите (19) на површини што може да се магнетизираат (слика L).
- Користете универзален држач (13) (без стега за покрив (14)) како статив за маса. Поставете го држачот на подот и отворете ги ногарки за стабилизирање (20) на држачот (слика M).
- Универзалниот држач (13) (без стега за покрив (14)) може да се прицврсти на суви сидови или дрво. Поставете завртка за прицврстување (обична) со должина од најмалку 50 mm во отворот за завртки (18) на држачот и прицврстете ја (слика N).
- Универзалниот држач (13) може исто така да се прицврсти (16) на стегата за покрив (14) на шини за таванска решетка или сидни шини со помош на механизмот за фиксирање (слика O).

### Ласерски заштитни очила (опрема)

Ласерските заштитни очила ја филтрираат околната светлина. На тој начин светлото на ласерот изгледа посветло за окото.

- **Не ги користете ласерските заштитни очила (дополнителна опрема) како заштитни очила.** Ласерските заштитни очила служат за подобро распознавање на ласерскиот зрак; сепак, тие не штитат од ласерското зрачење.
- **Не ги користете ласерските заштитни очила (дополнителна опрема) како очила за сонце или пак во сообраќајот.** Ласерските очила не даваат целосна UV-заштита и го намалуваат препознавањето на бои.

## Одржување и сервис

### Одржување и чистење

Постојано одржувајте ја чистотата на мерниот уред.

Не го потопувајте мерниот уред во вода или други течности.

Избришете ги нечистотиите со влажна мека крпа. Не користете средства за чистење или раствори.

Редовно чистете ги површините околу излезниот отвор на ласерот и притоа внимавајте на влакненцата.

Складирајте го и транспортирајте го мерниот уред само во куфер (24).



Во случај ако треба да се поправи, пратете го мерниот уред во куфер (24).

### Сервисна служба и совети при користење

Сервисната служба ќе одговори на Вашите прашања во врска со поправката и одржувањето на Вашиот производ како и резервните делови. Ознаки за експлозија и информации за резервните делови исто така ќе најдете на: [www.bosch-pt.com](http://www.bosch-pt.com)

Тимот за советување при користење на Bosch ќе ви помогне доколку имате прашања за нашите производи и опрема.

За сите прашања и нарачки на резервни делови, Ве молиме наведете го 10-цифрениот број од спецификационата плочка на производот.

#### Северна Македонија

Д.Д. Електрис

Сава Ковачевиќ 47Нб, број 3

1000 Скопје

Е-пошта: [dimce.dimcev@servis-bosch.mk](mailto:dimce.dimcev@servis-bosch.mk)

Интернет: [www.servis-bosch.mk](http://www.servis-bosch.mk)

Тел./факс: 02/ 246 76 10

Моб.: 070 595 888

Д.П.Т.У “РОЈКА”

Јани Лукровски бб; Т.Ц Автокоманда локал 69

1000 Скопје

Е-пошта: [servisrojka@yahoo.com](mailto:servisrojka@yahoo.com)

Тел: +389 2 3174-303

Моб: +389 70 388-520, -530

#### Дополнителни адреси на сервиси може да најдете под:

[www.bosch-pt.com/serviceaddresses](http://www.bosch-pt.com/serviceaddresses)

### Отстранување

Мерните уреди, акумулаторските батерии/батериите, опремата и амбалажите треба да се отстранат на еколошки прифатлив начин.



Не ги фрлајте мерните уреди и батериите во домашната канта за отпадоци!

#### Само за земјите од ЕУ:

Според европската директива 2012/19/EU мерните уреди што се вон употреба и дефектните или искористените батерии според директивата 2006/66/EC мора одделно да се соберат и да се рециклираат за повторна употреба.

## Srpski

### Bezbednosne napomene



**Morate da pročitate i uvažite sva uputstva kako biste sa mernim alatom radili bez opasnosti i bezbedno. Ukoliko se merni alat ne koristi u skladu sa priloženim**

**uputstvima, to može da ugrozi zaštitne sisteme koji su integrisani u merni alat. Nemojte dozvoliti da pločice sa upozorenjima na mernom alatu budu nerazumljive. DOBRO SAČUVAJTE OVA UPUTSTVA I PREDAJTE IH ZAJEDNO SA ALATOM, AKO GA PROSLEDUJETE DALJE.**

- ▶ **Pažnja - ukoliko примените drugačije uređaje za rad ili podešavanje, osim ovde navedenih ili sprovodite druge vrste postupaka, to može dovesti do opasnog izlaganja zračenju.**
- ▶ **Merni alat se isporučuje sa pločicom uz upozorenje za laser (označeno u prikazu mernog alata na grafičkoj stranici).**
- ▶ **Ukoliko tekst na pločici sa upozorenjem za laser nije na vašem jeziku, prelepите se sa isporučenom nalepnicom na vašem jeziku, pre prvog puštanja u rad.**



**Ne usmeravajte laserski zrak na osebe ili životinje i ne gledajte u direktan ili reflektovani laserski zrak.** Na taj način možete da zaslepite lica, prouzrokuje neznoge ili da oštetite oči.

- ▶ **Ako lasersko zračenje dospe u oko, морате svesno да затворите оči и да главу одмах окренете од зрака.**
- ▶ **Nemojte da vršite промене на laserskoj опреми.**
- ▶ **Nemojte koristiti laserske naočare (pribor) kao заштитне naočare.** Laserske naočare služe za bolje prepoznavanje laserskog zraка. Međutim, one ne štite od laserskog zračenja.
- ▶ **Nemojte koristiti laserske naočare (pribor) kao naočare за sunce или u саобраћају.** Laserske naočare не пружају потпуну UV заштиту и smanjuju перцепцију боја.
- ▶ **Merni alat sme да поправља samo квалификовано особље и samo са оригиналним резервним деловима** Time се обезбеђује, да сигурност mernog алата остаје сачувана.
- ▶ **Ne dozvoljavajte deci да користе laserski merni alat без надзора.** Mogli bi nenamerno да zaslepe друге особе или себе.
- ▶ **Ne radите са mernim alatom u okolini угроженој експлозијом, u којој се налазе запaljive теčnosti, gasovi или prašine.** U mernom alatu могу настати varnice, које би запалиле праšину или испарења.



**Magnetni pribor не приближавajte имплантатима и другим medicinskim uređajima, као што су pejsmejkerи или insulinske пumpe.** Zbog magneta u priboru образује се полје које може да угрози функцију имплантата или medicinskiх uređaja.

- **Magnetni pribor držite daleko od magnetnih nosača podataka i uređaja osetljivih na magnetne.** Zbog dejstva magnetna iz pribora može da dođe do ireverzibilnog gubitka podataka.

## Opis proizvoda i primene

Vodite računa o slikama u prednjem delu uputstva za rad.

### Predviđena upotreba

Merni alat je namenjen za utvrđivanje i proveravanje vodoravnih i vertikalnih linija.

Merni alat je predviđen za upotrebu u unutrašnjem prostoru.

### Prikazane komponente

Označavanje brojevima komponenti sa slike odnosi se na prikaz mernog alata na grafičkoj stranici.

- (1) Izlazni otvor laserskog zraka
- (2) Prekidač za uključivanje/isključivanje
- (3) Prijemnica za stativ 1/4"
- (4) Serijski broj
- (5) Pločica sa upozorenjem za laser
- (6) Poklopac pregrade za baterije
- (7) Blokada poklopca pregrade za bateriju
- (8) Taster za blokadu klatna **Lock**
- (9) Taster za režim rada lasera **Mode**
- (10) Upozorenje nivelacije
- (11) Prikaz režima rada lasera
- (12) Prikaz blokade pomeranja
- (13) Univerzalni držač<sup>A)</sup>
- (14) Plafonski nosač držača<sup>A)</sup>
- (15) Zavrtanj držača 1/4"<sup>A)</sup>
- (16) Blokada plafonskog nosača<sup>A)</sup>
- (17) Okretno dugme plafonskog nosača<sup>A)</sup>
- (18) Otvor za zavrtanj na držaču<sup>A)</sup>
- (19) Magnet<sup>A)</sup>
- (20) Noge za stabilizaciju držača<sup>A)</sup>
- (21) Naočare za laser<sup>A)</sup>
- (22) Ploča za ciljanje laserom<sup>A)</sup>
- (23) Stativ<sup>A)</sup>
- (24) Kofer<sup>A)</sup>

A) **Prikazani ili opisani pribor ne spada u standardno pakovanje. Kompletni pribor možete da nađete u našem programu pribora.**

### Tehnički podaci

Laser za ukrštene linije	GLL 2-20
Broj artikla	<b>3 601 K63 J00</b>
Radno područje (prečnik do otpr. <sup>A)</sup>	20 m
Preciznost nivelisanja <sup>B)C)</sup>	±0,4 mm/m

Laser za ukrštene linije	GLL 2-20
Područje samonivelisanja tipično	±4°
Vreme nivelisanja tipično	4 s
Radna temperatura	+5 °C ... +40 °C
Temperatura skladišta	-20 °C ... +70 °C
Maks. radna visina iznad referentne visine	2000 m
Maks. relativna vlažnost vazduha	90 %
Stepen zaprljanosti prema standardu IEC 61010-1	2 <sup>D)</sup>
Klasa lasera	2
Tip lasera	< 1 mW, 630–650 nm
C <sub>6</sub>	1
Divergencija	1,5 mrad
Prijemnica za stativ	1/4"
Baterije	4 × 1,5 V LR6 (AA)
Akumulatori	4 × 1,2 V HR6 (AA)
Trajanje u režimu rada otpr.	12 h
Težina u skladu sa EPTA-Procedure 01:2014	0,38 kg
Dimenzije (dužina × širina × visina)	85 × 70 × 125 mm

A) Radno područje može da se smanji zbog nepovoljnih okolnih uslova (npr. direktnog sunčevog zračenja).

B) na **20–25 °C**

C) Navedene vrednosti pretpostavljaju normalne do povoljne okolne uslove (npr. nema vibracija, nema magle, nema dima, nema direktnog sunčevog zračenja). Nakon jakih kolebanja temperature, može doći do odstupanja u preciznosti.

D) Pojavljuje se neprovodljiva zaprljanost, pri čemu se očekuje privremena provodljivost prouzrokovana rošenjem.

Za jasnu identifikaciju vašeg mernog uređaja služi broj artikla (4) na pločici sa tipom.

## Montaža

### Ubacivanje/menjanje baterije

Za rad mernog alata se preporučuje upotreba alkalnih mangan-baterija ili akumulatore.

Da biste otvorili poklopac pregrade za baterije (6), pritisnite na aretaciju (7) i otvorite poklopac pregrade za baterije. Umetnite baterije odnosno akumulatore.

Pri tome pazite na to da polovi budu u skladu sa prikazom na unutrašnjoj strani poklopca pregrade za baterije (6).

Menjajte uvek sve baterije odnosno akumulatore istovremeno. Koristite samo baterije ili akumulatore jednog proizvođača i istog kapaciteta.

- **Izvadite baterije odn. akumulatore iz mernog alata, ako ga duže vreme nećete koristiti.** Baterije i akumulatori mogu kod dužeg čuvanja korodirati i sami se isprazniti.

## Režim rada

### Puštanje u rad

- ▶ Čuvajte merni alat od vlage i direktnog sunčevog zračenja.
- ▶ **Merni alat nemojte da izlažete ekstremnim temperaturama ili promenama temperature.** Npr. nemojte ga predugo ostavljati u automobilu. U slučaju velikih promena temperature, merni alat najpre ostavite da se aklimatizuje i sprovedite pre daljih radova uvek proveru preciznosti (videti „Provera preciznosti nivelisanja mernog alata“, Strana 59). Kod ekstremnih temperatura ili kolebanja temperatura može da se ugrozi preciznost mernog alata.
- ▶ **Izbegavajte nagle udare ili padove mernog alata.** Nakon jakih spoljašnjih uticaja na merni alat, pre nastavka rada bi trebalo uvek da uradite proveru preciznosti (videti „Provera preciznosti nivelisanja mernog alata“, Strana 59).
- ▶ **Isključite merni alat kada ga transportujete.** Pri isključivanju se blokira klatni uređaj, koji se inače pri jačim pokretima može oštetiti.

### Uključivanje/isključivanje

Za **Uključivanje** mernog alata gurnite prekidač za uključivanje/isključivanje (2) u poziciju „On“. Merni alat odmah po uključivanju odašilje laserske linije iz izlaznih otvora (1).

- ▶ **Ne usmeravajte laserski zrak na osobe ili životinje i ne gledajte u laserski zrak čak ni sa daljeg odstojanja.**

Za **Isključivanje** mernog alata pomerite prekidač za uključivanje/isključivanje (2) u poziciju **Off**. Kod isključivanja se jedinica za klatno zaključava.




- ▶ **Uključeni merni alat nikad ne ostavljajte bez nadzora i isključite ga nakon korišćenja.** Laserski zrak bi mogao da zaslepi druge osobe.

### Vrste režima rada

Posle uključivanja merni alat se nalazi u režimu rada sa ukrštenim linijama sa automatskim nivelisanjem.

Kako biste promenili vrstu režima rada, pritisnite taster za režim rada lasera **Mode (9)** sve dok se željeni režim rada ne prikaže svetljenjem prikaza tog režima rada lasera (11).

Sledeće vrste režima rada možete da izaberete:

Prikaz	Režim rada
	<b>Režim rada sa ukrštenim linijama</b> (videti slike <b>A, B i E</b> ): Merni alat proizvodi jednu horizontalnu lasersku ravan (obodna linija od 360°) i jednu vertikalnu lasersku liniju.
	<b>Horizontalni režim rada</b> (videti sliku <b>C</b> ): Merni alat proizvodi horizontalnu lasersku ravan.
	<b>Vertikalni režim rada</b> (videti sliku <b>D</b> ): Merni alat proizvodi vertikalnu lasersku liniju.

Sve vrste režima rada možete da izaberete pomoću automatskog nivelisanja kao i blokade pomeranja.

### Automatsko nivelisanje

#### Rad sa automatskim nivelisanjem (videti slike F–G)

Kod rada sa automatskim nivelisanjem, prikaz blokade klatna (12) ne sme da svetli. Ukoliko je potrebno, pritiskom tastera za blokadu klatna **Lock (8)** ponovo uključite automatsko nivelisanje, tako da se prikaz blokade klatna isključi.

Postavite merni alat na horizontalnu, čvrstu podlogu, pričvrstite ga za univerzalni držač (13) ili na stativ (23).

Automatsko nivelisanje automatski kompenzuje neravnine u okviru raspona samonivelisanja od  $\pm 4^\circ$ . Nivelisanje je završeno, ukoliko se laserske linije više ne pokreću.

Ako automatsko nivelisanje nije moguće, npr. jer stacionarna površina mernog alata odstupa više od  $4^\circ$  od horizontale, upozorenje za nivelaciju (10) svetli u crvenoj boji i laser se automatski isključuje.

U tom slučaju merni alat postavite horizontalno i sačekajte samonivelisanje. Čim se merni alat ponovo nađe u opsegu samonivelisanja od  $\pm 4^\circ$ , nestaje upozorenje za nivelaciju (10) i laser se uključuje.

Izvan opsega samonivelisanja od  $\pm 4^\circ$ , rad sa automatskim nivelisanjem nije moguće, jer nije osigurana preciznost nivelisanja laserskih zraka kao ni prav ugao između laserskih zraka.

U slučaju potresa ili promena položaja tokom režima rada merni alat se automatski iznova nivelše. Posle novog nivelisanja proverite poziciju horizontalne odn. vertikalne laserske linije u odnosu na referentne tačke, kako biste izbegli greške nastale pomeranjem mernog alata.

#### Rad sa blokadom klatna (videti sliku E)

Za rad sa blokadom klatna, pritisnite taster za blokadu klatna **Lock (8)**. Kada je blokada klatna uključena, prikaz blokade klatna (12) svetli crveno.

Pri radu sa blokadom pomeranja, automatsko nivelisanje se isključuje. Možete da držite merni alat slobodno u ruci ili da ga postavite na površinu pod nagibom. Laserske linije se dalje ne nivelšu i ne protežu prirodno vertikalno jedna prema drugoj.

### Provera preciznosti nivelisanja mernog alata

#### Uticaji tačnosti

Najveći uticaj vrši temperatura okoline. Temperaturne razlike koje posebno idu od poda uvis mogu skrenuti laserski zrak.

S obzirom da je termička stratifikacija najveća u blizini tla, merni alat bi trebalo po mogućnosti da montirate na stativ i postavite po sredini radne površine.

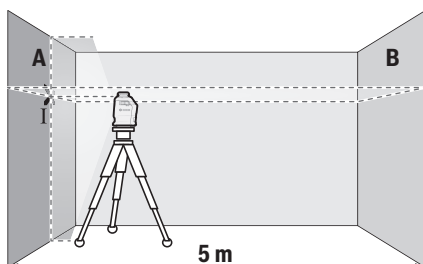
Pored spoljašnjih uticaja takode i uticaji specifični za uređaje (kao npr. nagli padovi ili snažni udari) mogu da dovedu do odstupanja. Iz tog razloga pre svakog početka rada proverite preciznost nivelacije.

Ako bi merni alat pri jednoj od provera prekoračio maksimalno odstupanje, popravite ga u jednom **Bosch** servisu.

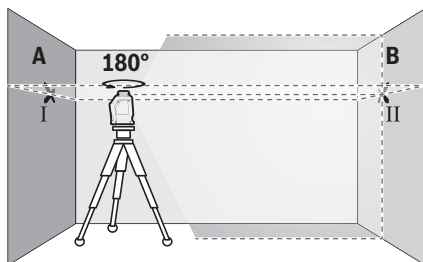
#### Kontrola horizontalne tačnosti u nivelisanju poprečne ose

Za proveru potrebna vam je slobodna merna deonica od 5 m na čvrstoj podlozi između dva zida A i B.

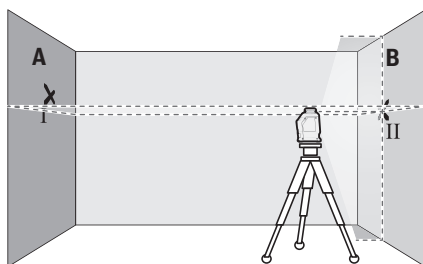
- Montirajte merni alat blizu zida A na jedan stativ ili ga postavite na čvrstu ravnu podlogu. Uključite merni alat. Izaberite režim rada ukrštenih linija sa automatskim nivelisanjem.



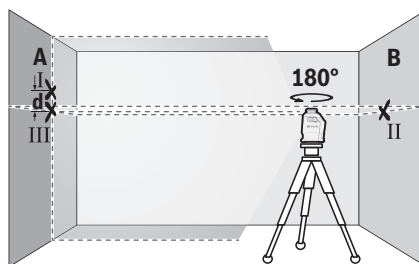
- Usmerite laser na bliski zid A i pustite da se merni alat nivelše. Označite sredinu tačke na kojoj se laserske linije na zidu ukrštaju (tačka I).



- Okrenite merni alat za 180°, pustite da se nivelše i označite tačku ukrštanja laserskih linija na suprotnom zidu B (tačka II).
- Stavite merni alat – bez okretanja – blizu zida B, uključite ga i pustite da se nivelše.



- Merni alat usmerite u vis tako (pomoću stativa ili po potrebi podmetanjem), da tačka ukrštanja laserskih linija tačno pogađa prethodno označenu tačku II na zidu B.



- Merni alat okrenite za 180°, a da ne pomerate visinu. Usmerite ga prema zidu A, tako da vertikalna laserska linija prolazi kroz već označenu tačku I. Pustite merni alat da se nivelše i označite tačku ukrštanja laserskih linija na zidu A (tačka III).

- Razlika **d** između dve označene tačke I i III na zidu A predstavlja stvarno odstupanje visine mernog alata.

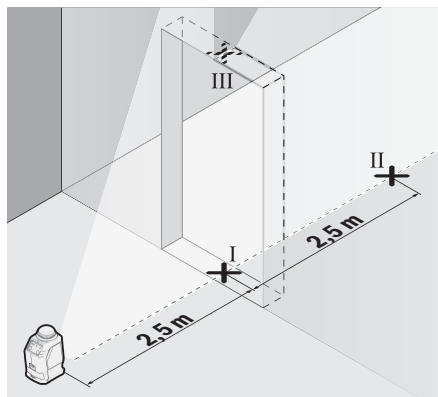
Na mernoj deonici od  $2 \times 5 \text{ m} = 10 \text{ m}$ , maksimalno dozvoljeno odstupanje iznosi:

$10 \text{ m} \times \pm 0,4 \text{ mm/m} = \pm 4 \text{ mm}$ . Razlika **d** između tačaka I i II sme da iznosi maksimalno 4 mm.

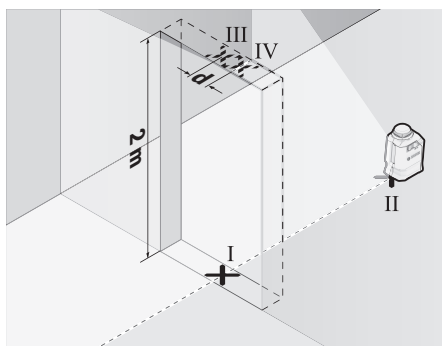
#### Provera preciznosti nivelisanja vertikalne linije

Za kontrolu potreban Vam je otvor od vrata, kod kojih (na čvrstoj zemlji) sa svake strane vrata ima najmanje 2,5 m prostora.

- Postavite merni alat na 2,5 m rastojanja od otvora vrata na čvrstu ravnu podlogu (ne na stativ). Izaberite vertikalni režim rada sa automatskim nivelisanjem. Usmerite vertikalnu lasersku liniju na otvor vrata i iznivelšite merni alat.



- Označite sredinu vertikalne laserske linije na podu otvora za vrata (tačka I), na razdaljini od 5 m od druge strane otvora za vrata (tačka II) kao i na gornjoj ivici otvora za vrata (tačka III).



- Okrenite merni alat za 180° i stavite ga na drugu stranu otvora za vrata direktno iza tačke II. Pustite merni alat da se nivelše i vertikalnu lasersku liniju usmerite tako da njena sredina tačno kroz tačke I i II.
- Označite sredinu laserske linije na gornjoj ivici otvora za vrata kao tačku IV.
- Razlika  $d$  između dve označene tačke III i IV predstavlja stvarno odstupanje mernog alata od vertikale.
- Merite visinu otvora vrata.

Maksimalno dozvoljeno odstupanje izračunajte na sledeći način:

dupla visina otvora za vrata  $\times 0,4$  mm/m

Primer: Pri visini otvora vrata od 2 m maksimalno odstupanje sme da iznosi

$2 \times 2 \text{ m} \times \pm 0,4 \text{ mm/m} = \pm 1,6 \text{ mm}$ . Tačke III i IV smeju da budu na razmaku od najviše 1,6 mm.

## Uputstva za rad

- ▶ **Za označavanje uvek koristite sredinu laserske linije.** Širina laserske linije se menja sa udaljenošću.

### Rad sa stativom (pribor)

Stativ nudi stabilnu mernu podlogu koja je podesiva po visini. Postavite merni alat sa prijemnicom za stativ 1/4" (3) na navoj stativa (23) ili običnog fotografskog stativa. Pritegnite merni alat pomoću zavrtnja za fiksiranje stativa. Centrirajte stativ grubo, pre nego što uključite merni alat.

### Pričvršćivanje pomoću univerzalnog držača (pribor) (videti slike H–O)

Pomoću univerzalnog držača (13) možete da pričvrstite merni alat npr. na vertikalnim površinama, cevima ili namagnetisanim materijalima. Univerzalni držač je isto tako pogodan kao i stativ za pod i olakšava centriranje po visini mernog alata.

Za pričvršćivanje mernog alata na univerzalni držač (13) pričvrstite zavrtnj 1/4" (15) držača u prijemnici za stativ (3) na mernom alatu.

Da biste okrenuli odn. pomerili merni alat na držaču, lagano olabavite zavrtnj 1/4" (15).

Kod upotrebe sa plafonskim nosačem (14) za precizno podešavanje možete spustiti i podići merni alat pomoću okretnog dugma (17).

Centrirajte univerzalni držač (13), pre nego što uključite merni alat.

Pomoću univerzalnog držača (13) možete pričvrstiti merni alat na sledeći način:

- Univerzalni držač (13) (bez plafonskog nosača (14)) se pomoću magneta (19) može pričvrstiti na namagnetisanim površinama (slika L).
- Univerzalni držač (13) (bez plafonskog nosača (14)) koristite kao stoni tronožac. Držač postavite na pod i otklopite noge za stabilizaciju (20) držača (slika M).
- Univerzalni držač (13) (bez plafonskog nosača (14)) se može pričvrstiti na suvi zid ili drvo. Postavite pričvrtni zavrtnj (dostupan u maloprodaji) najmanje dužine 50 mm u otvor za zavrtnj (18) na držaču i pritegnite ga (slika N).
- Univerzalni držač (13) se pomoću blokade (16) na plafonskom nosaču (14) može pričvrstiti na plafonske ili zidne ulegne šine (slika O).

### Laserske naočari (pribor)

Laserske naočare za gledanje filtriraju okolnu svetlost. Na taj način izgleda svetlo lasera za oko svetlije.

▶ **Nemojte koristiti laserske naočare (pribor) kao zaštitne naočare.** Laserske naočare služe za bolje prepoznavanje laserskog zraka. Međutim, one ne štite od laserskog zračenja.

▶ **Nemojte koristiti laserske naočare (pribor) kao naočare za sunce ili u saobraćaju.** Laserske naočare ne pružaju potpunu UV zaštitu i smanjuju percepciju boja.

## Održavanje i servis

### Održavanje i čišćenje

Držite merni alat uvek čist.

Ne uranjajte merni alat u vodu ili druge tečnosti.

Brišite zaprljanja sa vlažnom, mekom krpom. Nemojte koristiti sredstva za čišćenje ili rastvarače.

Čistite redovno posebno površine na izlaznom otvoru lasera i pazite pritom na dlačice.

Čuvajte i transportujte merni alat samo u koferu (24).

U slučaju potrebe za popravkom, pošaljite merni alat u koferu (24).

### Servis i saveti za upotrebu

Servis odgovara na vaša pitanja u vezi sa popravkom i održavanjem vašeg proizvoda kao i u vezi sa rezervnim delovima. Šematske prikaze i informacije u vezi rezervnih delova naći ćete i pod: [www.bosch-pt.com](http://www.bosch-pt.com)

Bosch tim za konsultacije vam rado pomaže tokom primene, ukoliko imate pitanja o našim proizvodima i njihovom priboru.

Molimo da kod svih pitanja i naručivanja rezervnih delova neizostavno navedete broj artikla sa 10 brojevanih mesta prema tipskoj pločici proizvoda.

### Srpski

Bosch Elektroservis  
Dimitrija Tucovića 59  
11000 Beograd  
Tel.: +381 11 644 8546  
Tel.: +381 11 744 3122  
Tel.: +381 11 641 6291  
Fax: +381 11 641 6293  
E-Mail: office@servis-bosch.rs  
www.bosch-pt.rs

### Dodatne adrese servisa pogledajte na:

[www.bosch-pt.com/serviceaddresses](http://www.bosch-pt.com/serviceaddresses)

### Uklanjanje đubreta

Merne alate, akumulatore/baterije, pribor i pakovanja treba reciklirati u skladu sa zaštitom životne sredine.



Merne alate i akumulatore/baterije nemojte bacati u kućni otpad!

### Samo za EU-zemlje:

Prema evropskoj direktivi 2012/19/EU merni alati koji se više ne mogu koristiti, a prema evropskoj direktivi 2006/66/EC akumulatorske baterije/baterije koje su u kvaru ili istrošene moraju se odvojeno sakupljati i uključiti u reciklažu koja odgovara zaštiti čovekove sredine.

## عربي

## إرشادات الأمان



يجب قراءة جميع التعليمات ومراعاتها للعمل بعدة القياس بأمان وبلا مخاطر. في حالة استخدام عدة القياس بشكل يخالف التعليمات الواردة فقد يؤثر ذلك سلباً على إجراءات الحماية في عدة القياس. لا تقم بتمسك اللفافات التحذيرية الموجودة على عدة القياس أبداً. احتفظ بهذه التعليمات بحالة جيدة، واحرص على إرفاقها بعدة القياس في حالة إعطائها لشخص آخر.

⚠ احترس - في حالة الاستخدام بطريقة تختلف مع التجهيزات أو وسائل الضبط المذكورين أو تطبيق طريقة عمل أخرى، فقد يؤدي ذلك إلى التعرض لأشعة الشمس بشكل خطير.  
 ⚠ يتم تسليم عدة القياس مع لافتة تحذيرية لليزر (يتم تمييزها في صورة عدة القياس في صفحة الرسوم التخطيطية).  
 ⚠ إذا لم يكن الكلام المكتوب في اللافتة التحذيرية لليزر بلغة بلدك، قم ب لصق اللافتة المرفقة بلغة بلدك عليه قبل التشغيل للمرة الأولى.

لا توجه شعاع الليزر على الأشخاص أو الحيوانات ولا توجه نظرك إلى شعاع الليزر المباشر أو المنعكس، حيث يتسبب ذلك في إبهار الأشخاص أو في وقوع حوادث أو حدوث أضرار بالعينين.  
 ⚠ في حالة سقوط أشعة الليزر على العين، فقم بخلعها على الفور، وأبعد رأسك عن شعاع الليزر.

⚠ لا تقم بإجراء تغييرات على جهاز الليزر.  
 ⚠ لا تستخدم نظارة رؤية الليزر (الملحقات) كنظارة حماية. فنظارة رؤية الليزر تستخدم لاستقبال شعاع الليزر بشكل أفضل، إلا أنها لا تقي من إشعاع الليزر.

⚠ لا تستخدم نظارة رؤية الليزر (توابع) كنظارة شمس أو كنظارة للارتداء أثناء الحركة المرورية. لا تقوم نظارة رؤية الليزر بالحماية التامة من الأشعة فوق البنفسجية، كما أنها تقلل القدرة على تمييز الألوان.

⚠ لا تقم بإصلاح عدة القياس إلا لدى فنيين متخصصين مؤهلين مع الاقتصار على استخدام قطع الغيار الأصلية. يضمن ذلك المحافظة على أمان عدة القياس.

⚠ لا تدع الأطفال يستخدمون عدة القياس بالليزر دون مراقبة. قد تسبب عمى لنفسك أو لأشخاص آخرين دون قصد.

⚠ لا تعمل بعدة القياس في نطاق معرض لخطر الانفجار، الذي تتوفر به السوائل أو الغازات أو الأغبرة القابلة للاحتراق. قد يُنتج الشرر في عدة القياس، فيشعل هذه الأغبرة أو الأبخرة.

لا تقم بتقريب التوابع المغناطيسية من الأجهزة الطبية المزروعة والأجهزة الطبية الأخرى، مثل منظم ضربات القلب أو مضخة الأنسولين. تولد مغناطيسات التوابع مجالاً قد يخل بوظيفة الأجهزة الطبية المزروعة في الجسم أو الأجهزة الطبية الأخرى.



⚠ أبعد التوابع المغناطيسية عن وسائط حفظ المعلومات المغناطيسية وعن الأجهزة المساسة بالمغناطيس. فمن خلال تأثير مغناطيسات التوابع يمكن أن يحدث فقدان للبيانات بحيث يتعذر استعادتها.

## وصف المنتج والأداء

يرجى الرجوع إلى الصور الموجودة في الجزء الأول من دليل التشغيل.

## الاستعمال المخصص

لقد خصصت عدة القياس لاستنتاج وتفحص الخطوط الأفقية والعمودية.  
 لقد خصصت عدة القياس للاستخدام في المجال الداخلي.

## الأجزاء المصورة

يستند ترقيم الأجزاء المصورة إلى رسوم عدة القياس الموجودة على صفحة الرسوم التخطيطية.

- (1) فتحة خروج أشعة الليزر
- (2) مفتاح التشغيل والإطفاء
- (3) حاضن الحامل ثلاثي القوائم 1/4 بوصة
- (4) الرقم المتسلسل
- (5) لافتة تحذير الليزر
- (6) غطاء درج البطاريات
- (7) قفل غطاء درج البطاريات
- (8) زر القفل البندولي Lock
- (9) زر نوع تشغيل الليزر Mode
- (10) تحذير التسوية
- (11) مؤشر نوع تشغيل الليزر
- (12) مبین القفل البندولي
- (13) الحامل العام<sup>(A)</sup>
- (14) مشبك الأسقف الخاص بالحامل<sup>(A)</sup>
- (15) لولب 1/4 بوصة للحامل<sup>(A)</sup>
- (16) قفل مشبك الأسقف<sup>(A)</sup>
- (17) المفتاح الدوار لمشبك الأسقف<sup>(A)</sup>
- (18) ثقب لولب الحامل<sup>(A)</sup>
- (19) مغناطيس<sup>(A)</sup>
- (20) سيقان موازنة الحامل<sup>(A)</sup>
- (21) نظارة رؤية الليزر<sup>(A)</sup>
- (22) لوحة تصويب الليزر<sup>(A)</sup>
- (23) حامل ثلاثي القوائم<sup>(A)</sup>



## التركيب

### تركيب/استبدال البطاريات

ينصح باستخدام بطاريات المنجنيز القلوي أو المراكم من أجل تشغيل عدة القياس.

لفتح غطاء درج البطاريات (6) اضغط على القفل (7) وافتح غطاء درج البطاريات. قم بتركيب البطاريات أو المراكم.

احرص على مراعاة اتجاه الأقطاب الصحيح طبقاً للشكل الموضح على غطاء حجرة البطاريات من الداخل (6).

استبدل دائماً جميع البطاريات أو المراكم في آن واحد. استخدم فقط البطاريات أو المراكم من نفس المنتج وبنفس السعة.

◀ **انزع البطاريات أو المراكم عن عدة القياس عند عدم استعمالها لفترة طويلة.** قد تتآكل البطاريات أو المراكم عند خزنها لفترة طويلة فتقوم بتفريغ نفسها.

## التشغيل

### بدء التشغيل

◀ **قم بحماية عدة القياس من الرطوبة وأشعة الشمس المباشرة.**

◀ **لا تعرّض عدة القياس لدرجات الحرارة أو التقلبات الحرارية الشديدة.** لا تتركها لفترة طويلة في السيارة مثلاً. دع العدة الكهربائية تصل إلى درجة حرارة معتدلة وذلك في حالة التقلبات الشديدة في درجة الحرارة وافحص مدى الدقة قبل مواصلة العمل (انظر „فحص مدى دقة عدة القياس“، الصفحة 65).

قد تخل درجات الحرارة الشديدة أو التقلبات الشديدة بدرجات الحرارة بدقة عدة القياس.

◀ **تجنب الصدمات الشديدة بعدة القياس أو سقوطها على الأرض.** في حالة تعرض عدة القياس لتأثيرات خارجية قوية، يجب دائماً إجراء فحص لمدى الدقة قبل استئناف العمل (انظر „فحص مدى دقة عدة القياس“، الصفحة 65).

◀ **اطفئ عدة القياس عندما القيام بنقلها.** يتم إقفال وحدة التارجع عند الإطفاء، فقد تتلف من خلال المركبات الشديدة.

### التشغيل والإيقاف

لغرض تشغيل عدة القياس، حرك مفتاح التشغيل والإطفاء (2) إلى الوضع "On". تقوم عدة القياس بعد التشغيل مباشرة بإرسال خطوط الليزر من فتحات الخروج (1).

◀ **لا توجه شعاع الليزر على الأشخاص أو الحيوانات ولا توجه أنت نظرك إلى شعاع الليزر، ولا حتى عن بعد كبير.**

لغرض إطفاء عدة القياس، حرك مفتاح التشغيل والإطفاء (2) إلى الوضع "Off". عند الإطفاء يتم تأمين قفل وحدة التارجع.

◀ **لا تترك عدة القياس قيد التشغيل دون مراقبة، واطفئ عدة القياس بعد استعمالها.** قد يتم إبهار أشخاص آخرين بشعاع الليزر.

(24) حقائب<sup>(A)</sup>

(A) لا يتضمن إطار التوريد الاعتيادي التوابع المصورة أو المشروحة. تجد التوابع الكاملة في برنامجنا للتوابع.

## البيانات الفنية

ليزر الخطوط المتصالبة	
GLL 2-20	رقم الصنف
3 601 K63 J00	نطاق العمل (القطر) حتى حوالي <sup>(A)</sup>
20 متر	دقة ضبط الاستواء <sup>(C)(E)</sup>
±0,4 مم/متر	نطاق الاستواء الذاتي النموذجي
±4°	مدة الاستواء النموذجية
4 ثوان	درجة حرارة التشغيل
+5°م ... +40°م	درجة حرارة التخزين
-20°م ... +70°م	المد الأقصى لارتفاع الاستخدام فوق الارتفاع المرجعي
2000 متر	المد الأقصى للرطوبة الجوية النسبية
90 %	درجة الاتساق تبعا للمعيار IEC 61010-1
2 <sup>(D)</sup>	فئة الليزر
2	طراز الليزر
> 1 مللي واط، 630-650 نانومتر	C <sub>6</sub>
1	التفاوت
1,5 مللي راد	حاضن الحامل ثلاثي القوائم
1/4 بوصة	البطاريات
4 × 1,5 فلط LR6 (AA)	مراكم
4 × 1,2 فلط HR6 (AA)	مدة التشغيل حوالي
12 ساعة	الوزن حسب EPTA-Procedure 01:2014
0,38 كجم	الأبعاد
85 × 70 × 125 مم	(الطول × العرض × الارتفاع)

(A) قد يقل مجال العمل من خلال شروط الأجواء غير الملائمة (مثلاً: التعرض لأشعة الشمس المباشرة).

(B) عند درجة حرارة 20-25°م

(C) يُشترط لسريان القيم المذكورة أن تكون الظروف المحيطة طبيعية أو حتى مناسبة (على سبيل المثال دون اهتزازات، دون ضباب، دون أدخنة، دون التعرض لأشعة الشمس المباشرة). في حالة التقلبات الكبيرة في درجات الحرارة قد يتسبب ذلك في اختلافات في درجة الدقة.

(D) لا يحدث اتساق موصل للكهرباء، ولكن في بعض الأحيان قد يتسبب التكثيف في وجود اتساق موصل للكهرباء بصورة مؤقتة.

لتمييز عدة القياس بوضوح، ارجع إلى الرقم المتسلسل (4) على لوحة الصنع.



عند العمل مع تشغيل القفل البندولي تكون آلية التسوية متوقفة. يمكنك مسك عدة القياس في يدك بشكل حر أو وضعها بشكل رأسي على قاعدة مائلة. لن يتم ضبط استواء خطوط الليزر ولن تكون متعامدة بالضرورة على بعضها البعض.

### فحص مدى دقة عدة القياس

#### عوامل مؤثرة على الدقة

تشكل درجة الحرارة المحيطة التأثير الأكبر على الدقة. وقد تؤدي تقلبات درجات الحرارة السارية من الأرض نحو الأعلى إلى انعكاس شعاع الليزر. نظرا لأن التطبيق الحراري بالقرب من الأرضية يكون أكبر ما يمكن، يجب قدر الإمكان تركيب عدة القياس على حامل ثلاثي القوائم ووضعه في منتصف سطح العمل.

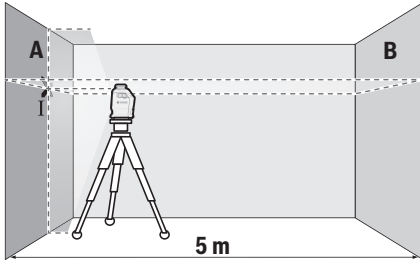
بالإضافة إلى التأثيرات الخارجية، يمكن أن تؤدي التأثيرات الخاصة بالجهاز (مثل السقوط أو الصدمات العنيفة) إلى حدوث تفاوتات. لذلك احرص دائما على فحص دقة ضبط الاستواء عند كل مرة تبدأ فيها بالعمل.

احرص على تصليح عدة القياس لدى مركز خدمة العملاء بشركة **Bosch** في حالة تجاوزها للتفاوت الأقصى أثناء إحدى عمليات الفحص.

#### افحص دقة التسوية الأفقية للمحور العرضي

لكي يتم الفحص، فإنك بحاجة إلى مسافة قياس خالية على أرضية ثابتة بعدد يبلغ حوالي 5 م بين الجدارين A و B.

- قم بتركيب عدة القياس قرب الجدار A على حامل ثلاثي القوائم أو وضعها على أرضية ثابتة ومستوية. قم بتشغيل عدة القياس. حدد طريقة تشغيل الخطوط المتعامدة مع آلية التسوية.



- قم بتوجيه الليزر إلى الجدار القريب A ودع عدة القياس ليتم ضبط استوائها. قم بتمييز منتصف النقطة التي تتعامد فيها خطوط الليزر على الجدار (النقطة A).

### طرق التشغيل

بعد التشغيل توجد عدة القياس في طريقة تشغيل الخطوط المتصالية مع آلية التسوية.

لتغيير نوع التشغيل، استمر في الضغط على زر نوع تشغيل الليزر **Mode (9)** إلى أن يظهر نوع التشغيل المرغوب من خلال إضاءة مؤشر نوع تشغيل الليزر المعني **(11)**.

يمكن الاختيار بين أنواع التشغيل التالية:

بيان	نوع التشغيل
	<b>التشغيل بالخطوط المتصالية</b> (انظر الصور A, B, و E): تُصدر عدة القياس نطاق ليزر أفقي (خط ليزر دوار بزاوية 360°) وخط ليزر رأسي.
	<b>التشغيل الأفقي</b> (انظر الصورة C): تُصدر عدة القياس نطاق ليزر أفقي.
	<b>التشغيل الرأسي</b> (انظر الصورة D): تُصدر عدة القياس خط ليزر رأسي.

يمكن اختيار جميع أنواع التشغيل مع آلية التسوية أو مع القفل البندولي.

### آلية التسوية

#### الشغل مع آلية التسوية (انظر الصور G-F)

عند العمل مع آلية التسوية لا يجوز أن يضيء مبین القفل البندولي **(12)**. عند اللزوم أعد تشغيل آلية التسوية من خلال الضغط على زر القفل البندولي **Lock (8)** إلى أن ينطفئ بيان القفل البندولي. ضع عدة القياس على أرضية أفقية وثابتة، وثبتها على الحامل **(13)** أو الحامل ثلاثي القوائم **(23)**.

تقوم آلية التسوية بتسوية مواضع عدم الاستواء ضمن نطاق التسوية الذاتية بمقدار  $\pm 4^\circ$  بشكل أوتوماتيكي. تنتهي عملية التسوية بمجرد توقف خطوط الليزر عن الحركة.

إذا كانت آلية التسوية غير ممكنة، على سبيل المثال، نظرا لأن نطاق وقوف عدة القياس يميل بزاوية تزيد على  $4^\circ$  عن الخط الأفقي، يضيء تحذير التسوية **(10)** باللون الأحمر، ويتم إطفاء الليزر بشكل آلي.

في هذه الحالة، أوقف عدة القياس بشكل أفقي وانتظر ضبط الاستواء الذاتي. بمجرد أن تصل عدة القياس إلى مجال التسوية الذاتية البالغ  $\pm 4^\circ$  ينطفئ تحذير الاستواء **(10)** ويتم تشغيل الليزر.

خارج مجال التسوية الذاتية البالغ  $\pm 4^\circ$  يتعذر العمل باستخدام آلية التسوية لأنه لا يمكن في هذه الحالة ضمان دقة تسوية أشعة الليزر ولا الزاوية القائمة بين أشعة الليزر.

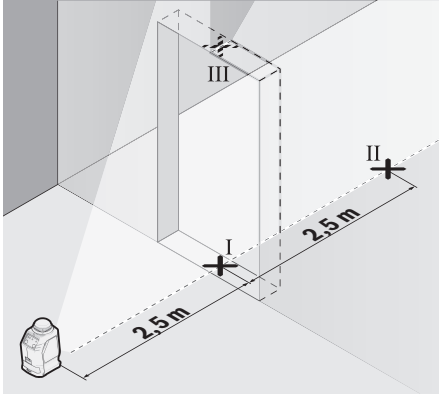
في حالة الاهتزازات أو تغيير المواقع أثناء التشغيل يتم ضبط استواء عدة القياس أوتوماتيكي مرة أخرى. افحص وضع خط الليزر الأفقي أو العمودي بالنسبة إلى النقاط المرجعية بعد إعادة التسوية، لتجنب حدوث أخطاء بسبب إزاحة عدة القياس.

#### العمل مع القفل البندولي (انظر الصورة E)

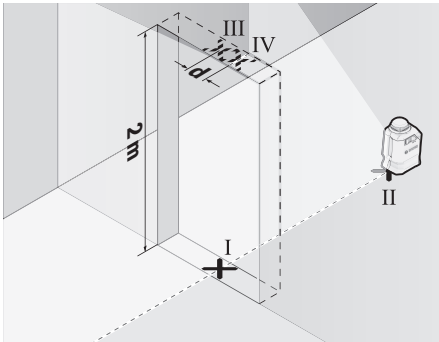
للعمل مع القفل البندولي اضغط على زر القفل البندولي **Lock (8)**. عندما يكون القفل البندولي مشغلا يضيء مبین القفل البندولي **(12)** باللون الأحمر.

### تفحص دقة التسوية بالخط العمودي

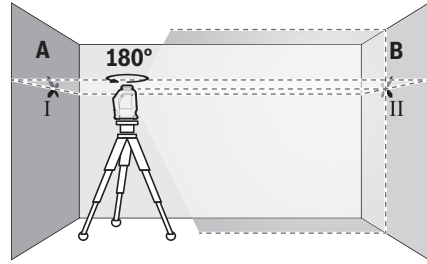
- لكي يتم الفحص، ستحتاج لفتحة باب بعد أدنى 2,5 م (على أرضية ثابتة) على كل جانب من جوانب الباب.
- أوقف عدة القياس على مسافة 2,5 م من فتحة الباب على أرضية ثابتة ومستوية (ليس على الحامل ثلاثي القوائم). حدد طريقة التشغيل الرأسي مع آلية التسوية. قم بمحاذاة خط الليزر الرأسي على فتحة الباب ودع عدة القياس ليتم ضبط استوائها.



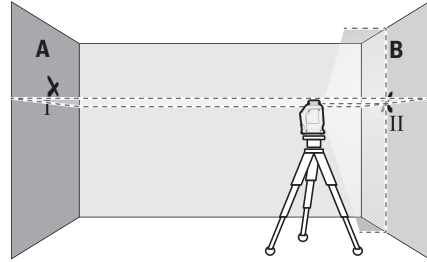
- قم بتمييز منتصف خط الليزر العمودي على أرض فتحة الباب (النقطة I) وعلى بعد 5 م من الجانب الآخر من فتحة الباب (النقطة II) وأيضاً على الحافة العلوية بفتحة الباب (النقطة III).



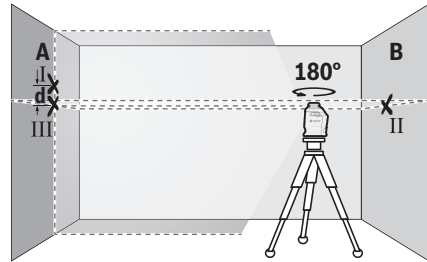
- أدر عدة القياس بمقدار  $180^\circ$  وضعها على الجانب الآخر من فتحة الباب مباشرة خلف النقطة I. دع عدة القياس تقوم بضبط الاستواء ذاتياً ووجه خط الليزر العمودي بحيث يمر منتصفه من النقطتين I و II بدقة.
- قم بتمييز منتصف خط الليزر على الحافة العلوية بفتحة الباب على أنه النقطة IV.
- إن الفرق  $d$  بين النقطتين III و IV المعلمتين، يشكل تفاوتاً حقيقياً بعدة القياس من الوضع الرأسي.
- يقاس ارتفاع فتحة الباب.



- أدر عدة القياس بمقدار  $180^\circ$  درجة، ودعها تقوم بضبط الاستواء بنفسها وقم بتمييز منتصف نقطة تقاطع خطي الليزر على الجدار المقابل B (النقطة II).
- ضع عدة القياس - دون إدارتها - بالقرب من الحائط B، وقم بتشغيلها، ودعها تقوم بضبط الاستواء ذاتياً.



- قم بتوجيه ارتفاع عدة القياس (بواسطة الحامل ثلاثي القوائم أو من خلال وضع شيء ما تحتها عند الضرورة) بحيث تصيب نقطة تقاطع خطي الليزر بدقة النقطة II التي سبق وتم تعليمها على الجدار B.



- أدر عدة القياس بمقدار  $180^\circ$ ، دون تغيير الارتفاع. قم بتوجيهها على الجدار A بحيث يمر خط الليزر العمودي عبر النقطة I التي سبق تمييزها. دعها تقوم بالتسوية بنفسها وقم بتمييز نقطة تقاطع خطي الليزر على الجدار A (النقطة III).
- إن الفرق  $d$  بين النقطتين I و III المعلمتين على الجدار A، يشكل تفاوت الارتفاع الحقيقي بعدة القياس.
- في مسافة القياس  $2 \times 5 \text{ م} = 10 \text{ م}$  يبلغ التفاوت الأقصى المسموح به:  $0,4 \pm \text{م/م} \times 10 \text{ م} = 4 \pm \text{م.م}$ . وبالتالي يجب أن يكون الفرق  $d$  بين النقطتين I و II  $4 \text{ م}$  على أقصى تقدير.

### نظارات رؤية الليزر (التوابع)

إن نظارات رؤية الليزر تقوم بتثبيح الضوء المميط، وبذلك يبدو ضوء الليزر الأحمر أكثر سطوعاً للعين.

### لا تستخدم نظارة رؤية الليزر (الملحقات)

كنظارة حماية. فنظارة رؤية الليزر تستخدم لاستقبال شعاع الليزر بشكل أفضل، إلا أنها لا تحمي من إشعاع الليزر.

### لا تستخدم نظارة رؤية الليزر (توابع) كنظارة

شمس أو نظارة للارتداء أثناء الحركة المرورية. لا تقوم نظارة رؤية الليزر بالحماية التامة من الأشعة فوق البنفسجية، كما أنها تقلل القدرة على تمييز الألوان.

## الصيانة والخدمة

### الصيانة والتنظيف

حافظ دائماً على نظافة عدة القياس.

لا تغطس عدة القياس في الماء أو غيرها من السوائل.

امسح الأوساخ بواسطة قطعة نسيج طرية ورطبة. لا تستخدم مواد تنظيف أو مواد مذيبة.

نظف خاصة السطوح عند فتحة خروج الليزر بشكل منتظم واثبه للنسالة أثناء ذلك.

قم بتخزين ونقل عدة القياس بالمقبية فقط (24).

قم بإرسال عدة القياس في حالة الحاجة للإصلاح بالمقبية (24).

### خدمة العملاء واستشارات الاستخدام

يجب مركز خدمة العملاء على الأسئلة المتعلقة بإصلاح المنتج وصيانته، بالإضافة لقطع الغيار. تجد الرسوم التفصيلية والمعلومات الخاصة بقطع الغيار في الموقع: [www.bosch-pt.com](http://www.bosch-pt.com)

يسر فريق Bosch لاستشارات الاستخدام مساعدتك إذا كان لديك أي استفسارات بخصوص منتجاتنا وملحقاتها.

يلزم ذكر رقم الصنف ذو الحانات العشر وفقاً للوحة صنع المنتج عند إرسال أية استفسارات أو طلبيات قطع غيار.

### المغرب

Robert Bosch Morocco SARL

53، شارع الملازم محمد محروم

20300 الدار البيضاء

الهاتف: 212 5 29 31 43 27

البريد الإلكتروني: [sav.outillage@ma.bosch.com](mailto:sav.outillage@ma.bosch.com)

تجد المزيد من عناوين الخدمة تحت:

[www.bosch-pt.com/serviceaddresses](http://www.bosch-pt.com/serviceaddresses)

### التخلص من العدة الكهربائية

ينبغي التخلص من عدد القياس والمركم/البطاريات والملحقات التكميلية ومواد التغليف بطريقة محافظة على البيئة عن طريق تسليمها لمراكز النفايات القابلة لإعادة التصنيع.

لا تلق عدد القياس والمراكم/البطاريات ضمن النفايات المنزلية!



يمكنك حساب أقصى تفاوت كالتالي:

ضعف ارتفاع فتحة الباب  $0,4 \times$  م/م

مثال: عندما يكون ارتفاع فتحة الباب 2 م يجوز أن يكون أقصى تفاوت

$2 \times 0,4 \pm$  م/م  $1,6 \pm$  م. أي أنه يجوز أن

تبعد التقطتين III و IV عن بعضها بمسافة أقصاها 1,6 م.

### إرشادات العمل

لا يستخدم دائماً منتصف خط الليزر للتعليم فقط. يتغير عرض خط الليزر بزيادة البعد.

### العمل بواسطة الحامل ثلاثي القوائم (التوابع)

يتبع الحامل ثلاثي القوائم أرضية قياس ثابتة يمكن ضبط ارتفاعها. ضع عدة القياس باستخدام حاضن الحامل ثلاثي القوائم 1/4 بوصة (3) على قلاووظ الحامل ثلاثي القوائم (23) أو على حامل تصوير من المتداول في الأسواق. أحكم ربط عدة القياس عن طريق لولب ربط الحامل ثلاثي القوائم.

باشر بتسوية المنصب الثلاثي القوائم بشكل غير دقيق قبل أن تشغل عدة القياس.

### التثبيت بواسطة الحامل العام (توابع) (O-H الصور)

يمكن باستخدام الحامل العام (13) تثبيت عدة القياس على الأسطح الرأسية، المواشير أو الثامات المغناطيسية. الحامل العام مناسب أيضاً للاستخدام كحامل أرضي بحيث يسهل ضبط ارتفاع عدة القياس. لتثبيت عدة القياس على الحامل العام (13) قم بربط اللولب 1/4 بوصة (15) الخاص بالحامل في حاضن الحامل ثلاثي القوائم (3) بعدة القياس.

لإدارة عدة القياس على الحامل أو تحريكها قم بحل اللولب 1/4 بوصة (15) بشكل خفيف.

عند استخدام مشبك الأسقف (14) يمكن تحريك عدة القياس باستخدام المفتاح الدوار (17) إلى أعلى أو أسفل لغرض الضبط الدقيق.

قم بتوجيه الحامل العام (13) بشكل تقريبي قبل تشغيل عدة القياس.

يمكن باستخدام الحامل العام (13) تثبيت عدة القياس كالتالي:

- يمكن تثبيت الحامل العام (13) (دون مشبك الأسقف (14)) باستخدام مغناطيس (19) في الأسطح المغناطيسية (الصورة L).

- استخدم الحامل العام (13) (دون مشبك الأسقف (14)) كحامل منضدة ثلاثي القوائم. للقيام بهذا ضع الحامل على الأرضية وأخرج سيقان الموازنة (20) الخاصة بالحامل (الصورة M).

- يمكن إحكام ربط الحامل العام (13) (دون مشبك الأسقف (14)) في الجدران الجافة أو الخشب.

للقيام بهذا أدخل لولب تثبيت (متداول في الأسواق) بطول لا يقل عن 50 مم في ثقب اللولب (18) الخاص بالحامل وأحكم ربطه (الصورة N).

- يمكن تثبيت الحامل العام (13) باستخدام القفل (16) في مشبك الأسقف (14) في قضبان شبكات الأسقف المعلقة أو قضبان الجدران (الصورة O).

### فقط لدول الاتحاد الأوروبي:

حسب التوجيه الأوروبي 2012/19/EU، يجب أن يتم جمع أجهزة القياس غير الصالحة للاستعمال، وحسب التوجيه الأوروبي 2006/66/EC يجب أن يتم جمع المراكز/البطاريات التالفة أو المستهلكة كل على حدة ليتم التخلص منها بطريقة محافظة على البيئة عن طريق تسليمها لمراكز النفايات القابلة لإعادة التصنيع.

جرقه هایی توسط ابزار اندازه گیری وجود دارد که می تواند منجر به اشتعال گرد و غبار و یا بخارهای موجود در هوا بشود.

**ابزار اندازه‌مترتعلقات مغناطیسی را در نزدیکی ایمپلنتها و سایر دستگاههای پزشکی برای مثال باتری قلب یا پمپ انسولین قرار ندهید. ه گیری و در اثر آهنربای موجود در متعلقات، میدانی به وجود می‌آید که ممکن است عملکرد ایمپلنتها یا دستگاههای پزشکی را تحت تاثیر قرار دهد.**



◀ **متعلقات مغناطیسی را از ذخیره‌سازهای مغناطیسی و دستگاههای حساس به مغناطیس دور نگهدارید.** تاثیرات مغناطیسی متعلقات مغناطیسی ممکن است منجر به از بین رفتن غیر قابل بازگشت اطلاعات شود.

## توضیحات محصول و کارکرد

به تصویرهای واقع در بخشهای اول دفترچه راهنما توجه کنید.

### موارد استفاده از دستگاه

ابزار اندازه‌گیری برای برداشتن اندازه‌ها و کنترل خطوط افقی و عمودی در نظر گرفته شده است. استفاده از ابزار اندازه گیری برای محیط داخلی مناسب است.

### تصاویر اجزاء دستگاه

شماره های اجزاء دستگاه که در تصویر مشاهده میشود، مربوط به شرح ابزار اندازه گیری می باشد که تصویر آن در این دفترچه راهنما آمده است.

- (1) منفذ خروجی پرتو لیزر
- (2) کلید روشن/خاموش
- (3) ممل اتصال سه پایه "1/4"
- (4) شماره سری
- (5) برجسب هشدار لیزر
- (6) درپوش محفظه باتری
- (7) قفل درپوش محفظه باتری
- (8) دکمه قفل پاندولی Lock
- (9) دکمه نوع عملکرد لیزر Mode
- (10) هشدار تراز
- (11) نشانگر نوع عملکرد لیزر
- (12) نشانگر قفل پاندولی
- (13) نگهدارنده عمومی<sup>(A)</sup>
- (14) گیره نگهدارنده سقفی<sup>(A)</sup>
- (15) پیچ "1/4" نگهدارنده<sup>(A)</sup>
- (16) قفل گیره سقفی<sup>(A)</sup>
- (17) دکمه چرخشی گیره سقفی<sup>(A)</sup>
- (18) سوراخ پیچ نگهدارنده<sup>(A)</sup>
- (19) آهنربا<sup>(A)</sup>
- (20) پایه های تثبیت نگهدارنده<sup>(A)</sup>

## فارسی

### دستورات ایمنی



جهت کار کردن بی خطر و ایمن با ابزار اندازه گیری به تمام راهنماییها توجه کنید. در صورتی که ابزار اندازه گیری طبق دستورات زیر بکار برده نشود، ممکن است تجهیزات حفاظتی موجود

در ابزار آسیب ببینند. برجسب های هشدار بر روی ابزار برقی را هرگز نپوشانید. این راهنماییها را خوب نگهدارید و آن را هنگام دادن ابزار اندازه گیری فراموش نکنید.

◀ **احتیاط - چنانچه سایر موارد کاربری یا تنظیمی یا روشهای دیگر غیر از مواد ذکر شده در این دفترچه به اجرا درآیند، می تواند منجر به قرار گرفتن خطرناک در معرض تابش پرتو گردد.**

◀ **ابزار اندازه گیری به همراه یک برجسب هشدار لیزر ارسال میگردد (در نمایش ابزار اندازه گیری در صفحه تصاویر مشخص شده است).**

◀ **چنانچه متن برجسب هشدار لیزر به زبان شما نیست، برجسب هشدار ارسال شده به همراه دستگاه به زبان کشور خود را قبل از اولین راه اندازی روی برجسب هشدار بچسبانید.**

جهت پرتو لیزر نباید به طرف افراد و یا حیوانات باشد و خودتان هم مستقیماً به پرتو لیزر یا بازتاب آن نگاه نکنید. این کار ممکن است منجر به خیره شدگی افراد، بروز سانحه یا آسیب دیدگی چشم گردد.



◀ **در صورت برخورد پرتوی لیزر به چشم، چشمها را فوراً ببندید و سر را از محدوده ی پرتوی لیزر خارج کنید.**

◀ **هیچ گونه تغییری در تنظیمات لیزر انجام ندهید.**

◀ **از عینک دید لیزر (متعلقات) به عنوان عینک ایمنی استفاده نکنید.** عینک دید لیزر برای تشخیص بهتر پرتو لیزر در نظر گرفته شده است؛ ولی محافظتی در برابر پرتو لیزر نمی کند.

◀ **از عینک دید لیزر (متعلقات) به عنوان عینک آفتابی یا هنگام رانندگی استفاده نکنید.** عینک دید لیزر دارای حفاظت کامل در برابر اشعه ماوراء بنفش نیست و تشخیص رنگ را کاهش می دهد.

◀ **برای تعمیر ابزار اندازه‌گیری فقط به متخصصین حرفه ای رجوع کرده و از وسائل بدکی اصل استفاده کنید.** به این ترتیب ایمنی ابزار اندازه گیری تضمین می شود.

◀ **اجازه ندهید کودکان بدون نظارت از ابزار اندازه گیری لیزری استفاده کنند.** ممکن است ناخواسته چشم دیگران یا خودتان دچار خیرگی شود.

◀ **با ابزار اندازه‌گیری در محیط دارای قابلیت انفجار، دارای مایعات، گازها یا گرد و غبارهای قابل اشتعال کار نکنید.** امکان تولید

## نصب

### قرار دادن/عوض کردن باتری ها

برای کار با ابزار اندازه گیری استفاده از باتریهای آلکالین-منیزیم یا باتری شارژی توصیه می شود. جهت باز کردن درپوش محفظه باتری (6)، قفل (7) را فشار دهید و درپوش محفظه باتری را بردارید. باتری ها یا باتری های قابل شارژ را قرار دهید. در حین کار به قطبگذاری صحیح بر اساس علامت مندرج در محفظه ی درونی باتری (6) توجه کنید. همواره همه باتری ها/ باتری های قابل شارژ را همزمان با هم تعویض کنید. منحصراً از باتری ها/ باتری های قابل شارژ ساخت یک سازنده و با ظرفیت های برابر استفاده کنید.

◀ در صورت عدم استفاده از ابزار اندازه گیری برای مدت طولانی، باتریها را بیرون آورید. باتری های قلمی/ باتری های قابل شارژ ممکن است در صورت انبار کردن طولانی مدت دچار فرسودگی و زنگ زدگی شده و خود به خود تخلیه بشوند.

## طرز کار با دستگاه

### راه اندازی و نحوه کاربرد دستگاه

◀ ابزار اندازه گیری را در برابر رطوبت و تابش مستقیم نور خورشید محفوظ بدارید.  
 ◀ ابزار اندازه گیری را در معرض دمای بسیار بالا یا نوسانات دما قرار ندهید. به عنوان مثال ابزار اندازه گیری را برای مدت طولانی در ماشین قرار ندهید. اجازه دهید تا ابزار اندازه گیری در نوسانات شدید دمایی ابتدا خنک شود و همیشه قبل از ادامه کار یک بررسی دقیق انجام دهید (رجوع کنید به «کنترل دقت ابزار اندازه گیری»، صفحه 71).

در دماهای شدید یا نوسانات دمایی ممکن است دقت ابزار اندازه گیری تحت تأثیر قرار بگیرد.

◀ از تکان دادن شدید و افتادن ابزار اندازه گیری جلوگیری کنید. در صورت بروز تغییرات قابل مشاهده روی ابزار اندازه گیری بایستی قبل از ادامه ی کار همواره یک کنترل دقت انجام دهید. (رجوع کنید به «کنترل دقت ابزار اندازه گیری»، صفحه 71).

◀ ابزار اندازه گیری را هنگام حمل و نقل خاموش کنید. با خاموش کردن ابزار اندازه گیری، واحد اندازه گیری تراز قفل می شود، در غیر اینصورت امکان آسیب دیدگی آن به هنگام حرکت های شدید وجود دارد.

### نحوه روشن/خاموش کردن

جهت روشن کردن ابزار اندازه گیری، کلید روشن/خاموش (2) را در موقعیت "On" برانید. ابزار اندازه گیری فوراً پس از روشن شدن، خطوط لیزری از منافذ خروجی (1) ارسال می کند.

◀ جهت پرتو لیزر را به طرف اشخاص و یا حیوانات نگه دارید و خودتان هم مستقیماً به پرتو لیزر نگاه نکنید، حتی از فاصله دور.

(21) عینک دید لیزر<sup>(A)</sup>

(22) صفحه هدف لیزر<sup>(A)</sup>

(23) سه پایه<sup>(A)</sup>

(24) جعبه<sup>(A)</sup>

(A) کلیه متعلقاتی که در تصویر و یا در متن آمده است، بطور معمول همراه دستگاه ارائه نمی شود. لطفاً لیست کامل متعلقات را از فهرست برنامه متعلقات اقتباس نمایید.

## مشخصات فنی

لیزر خطوط متقاطع	GLL 2-20
شماره فنی	3 601 K63 J00
محدوده کاری (قطر) تا حدود <sup>(A)</sup>	20 m
دقت تراز <sup>(B)</sup>	±0,4 mm/m
محدوده معمول خود تراز شونگی	±4°
زمان معمول تراز	4 s
دمای کاری	+5 °C ... +40 °C
دمای نگهداری در انبار	-20 °C ... +70 °C
حداکثر ارتفاع کاربری روی ارتفاع مرجع	2000 m
حداکثر رطوبت نسبی هوا	90 %
درجه آلودگی مطابق استاندارد IEC 61010-1	2 <sup>(D)</sup>
کلاس لیزر	2
نوع لیزر	< 1 mW, 630-650 nm
C <sub>6</sub>	1
انحراف	1,5 mrad
محل اتصال سه پایه	1/4"
باتری ها	4 × 1,5 VLR6 (AA)
باتری های قابل شارژ	4 × 1,2 VHR6 (AA)
مدت عملکرد حدود	12 h
وزن مطابق استاندارد EPTA-Procedure 01:2014	0,38 kg
ابعاد (طول × عرض × ارتفاع)	85 × 70 × 125 mm

(A) محدوده کاری ممکن است با شرایط نامناسب محیط (تابش مستقیم خورشید) کاهش یابد.

(B) در 20-25 °C

(C) مقادیر داده شده در شرایط محیطی معمولی تا مطلوب در نظر گرفته می شوند (برای مثال بدون لرزش، بدون مه، بدون دود، بدون تابش مستقیم آفتاب). نوسانات شدید دمایی ممکن است منجر به کاهش میزان دقت گردد.

(D) زیرنویس: تنها آلودگی بدون قابلیت هادی شدن دیده می شود که با پیشبینی وجود شبنم به طور موقت، قابلیت هادی شدن انتظار می رود.

برای شناسایی ابزار اندازه گیریشان از شماره ی فنی (4) روی برجسب کالا استفاده نمایید.

خارج از محدوده خود تراز شوندگی  $\pm 4^\circ$ ، کار با تراز اتوماتیک امکان پذیر نیست، زیرا در غیر این صورت دقت تراز پرتوهای لیزر، و زاویه صحیح بین پرتوهای لیزر هیچکدام تضمین نمی شود.

در صورت تکان خوردن یا جابجایی هنگام کار، ابزار اندازه گیری به طور اتوماتیک دوباره تراز می شود. برای جلوگیری از بروز خطا یا جا به جایی ابزار اندازه گیری، پس از هر بار ترازشوندگی حالت خطوط لیزر عمودی یا افقی را نسبت به نقاط مرجع کنترل کنید.

### نحوه کار با قفل پاندولی (رجوع کنید به تصویر E)

جهت کار با قفل پاندولی، دکمه قفل پاندولی **Lock (8)** را فشار دهید. در صورت فعال شدن قفل پاندولی، نشانگر قفل پاندولی **(12)** به رنگ قرمز روشن می شود.

هنگام کار با قفل پاندولی، تراز اتوماتیک غیرفعال می شود. می توانید ابزار اندازه گیری را آزادانه در دست نگهدارید یا روی یک کفی مناسب قرار دهید. خطوط لیزر دیگر تراز نمی شوند و لزوماً نسبت به یکدیگر به طور عمود قرار ندارند.

### کنترل دقت ابزار اندازه گیری

#### عوامل تاثیر گذارنده در دقت عمل

بیشترین تاثیر را دمای محیط کار دارد. بخصوص اختلاف دمای جاری به طرف بالا می تواند پرتو لیزر را منحرف کنند.

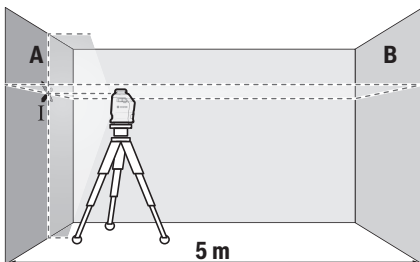
از آنجا که طبقه بندی دما در نزدیکی زمین بیشترین مقدار است، بایستی ابزار اندازه گیری را در صورت امکان روی یک سه پایه نصب کنید و آن را در وسط سطح کار قرار دهید.

در کنار تأثیرات بیرونی، تأثیرات مربوط به دستگاه (مانند افتادن، یا تکانهای شدید) می توانند باعث بروز خطا شوند. به همین منظور قبل از هر شروع کار، دقت تراز را کنترل کنید.

چنانچه میزان خطای ابزار اندازه گیری در طی یکی از آزمایش ها از حداکثر میزان خطا (اختلاف) فراتر رود، آنگاه باید ابزار اندازه گیری را توسط خدمات پس از فروش **Bosch** تعمیر کنید.

#### نحوه کنترل دقت تراز شدن افقی محور عرضی

برای بررسی بهتر به فاصله اندازه گیری آزاد 5 متری روی یک سطح محکم بین دو دیوار A و B نیاز دارید. - ابزار اندازه گیری را نزدیک دیوار A روی یک سه پایه نصب کنید یا آن را روی یک سطح صاف و محکم قرار دهید. ابزار اندازه گیری را روشن کنید. عملکرد ضربدی با تراز اتوماتیک را انتخاب کنید.



جهت خاموش کردن ابزار اندازه گیری، کلید روشن/خاموش **(2)** را در موقعیت **Off** برانید. هنگام خاموش کردن، واحد پاندولی قفل می شود.

◀ **ابزار اندازه گیری روشن شده را بدون نظارت رها نکنید و آن را پس از کاربری خاموش نمایید.** امکان آسیب دیدن چشم اشخاص دیگر وجود دارد.

### انواع عملکرد

پس از روشن کردن، ابزار اندازه گیری در عملکرد خطوط متقاطع با تراز اتوماتیک قرار می گیرد.

جهت تعویض نوع عملکرد، آنقدر دکمه نوع عملکرد لیزر **Mode (9)** را فشار دهید تا نوع عملکرد دلخواه با روشن شدن نشانگر مربوطه نوع عملکرد لیزر **(11)** ظاهر شود.

انواع عملکرد زیر برای انتخاب وجود دارند:

نشانگر	نوع عملکرد
	<b>عملکرد خطوط متقاطع</b> (رجوع کنید به تصاویر A، B و E): ابزار اندازه گیری یک سطح لیزر افقی (خط لیزر دور تا دوری $360^\circ$ ) و یک خط لیزر عمودی تولید می کند.
	<b>عملکرد افقی</b> (رجوع کنید به تصویر C): ابزار اندازه گیری یک سطح لیزر افقی تولید می کند.
	<b>عملکرد عمودی</b> (رجوع کنید به تصویر D): ابزار اندازه گیری یک خط لیزر عمودی تولید می کند.

تمام عملکردها را می توان هم با تراز اتوماتیک و هم با قفل پاندولی انتخاب نمود.

### تراز اتوماتیک

#### نحوه کار با تراز اتوماتیک (رجوع کنید به تصاویر G-F)

هنگام کار با تراز اتوماتیک، نشانگر قفل پاندولی **(12)** نباید روشن باشد. در صورت لزوم با فشار دادن دکمه قفل پاندولی **Lock (8)** تراز اتوماتیک را دوباره روشن کنید تا نشانگر قفل پاندولی خاموش شود.

ابزار اندازه گیری را روی سطح محکم و افقی قرار دهید، آن را روی نگهدارنده **(13)** عمومی یا سه پایه **(23)** محکم کنید.

تراز اتوماتیک، ناهمواری ها را در محدوده تراز شونده خودکار  $\pm 4^\circ$  به صورت اتوماتیک تنظیم می کند. زمانی که خطوط لیزر دیگر حرکت نکنند، ترازبندی انجام شده است.

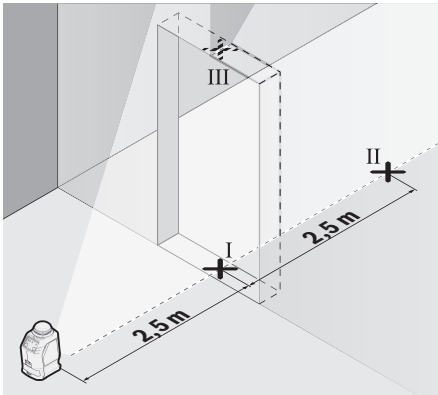
اگر تراز اتوماتیک امکان پذیر نیست، برای مثال چون اختلاف سطح ابزار اندازه گیری و سطح افقی بیشتر از  $4^\circ$  است، هشدار تراز **(10)** به رنگ قرمز روشن و لیزر بطور اتوماتیک خاموش می شود.

در این صورت، ابزار اندازه گیری را بطور افقی قرار دهید و تا زمان انجام خود تراز شونده صبر کنید. به محض اینکه ابزار اندازه گیری دوباره در محدوده خود تراز شونده به مقدار  $\pm 4^\circ$  قرار گیرد، هشدار تراز **(10)** خاموش و لیزر روشن می شود.

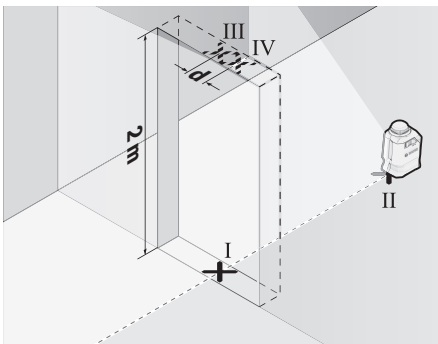
برای مسافت  $2 \times 5 \text{ m} = 10 \text{ m}$  حداکثر خطای مجاز برابر است با:  
 $10 \text{ m} \times \pm 0,4 \text{ mm/m} = \pm 4 \text{ mm}$  اختلاف  $d$  بین نقطه ها  $I$  و  $II$  بایستی در نهایت 4 میلیمتر باشد.

### نحوه کنترل دقت تراز خط عمودی

برای کنترل به نیاز به یک شکاف در دارید که در هر طرف آن (روی کف صاف) حداقل 2,5 متر جا باشد - ابزار اندازه گیری را در فاصله 2,5 متر از دهانه درب روی یک سطح صاف و ثابت (نه روی سه پایه) قرار دهید. عملکرد عمودی با تراز اتوماتیک را انتخاب کنید. خط لیزر عمودی را به طرف دهانه درب بگیرید و بگذارید ابزار اندازه گیری تراز کند.

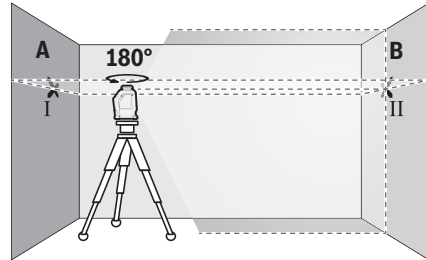


- خط لیزر عمودی روی زمین شکاف در (نقطه I)، در فاصله 5 متری در طرف دیگر شکاف در (نقطه II) و نیز دور بالایی شکاف در (نقطه III) علامتگذاری کنید.



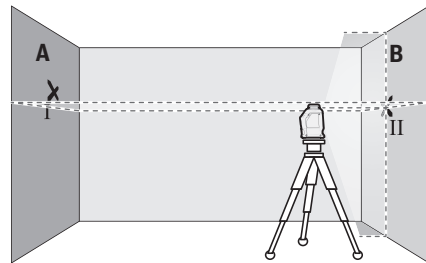
- ابزار اندازه گیری را به مقدار  $180^\circ$  بچرخانید و آن را روی طرف دیگر شکاف در درست پشت نقطه II قرار دهید. بگذارید ابزار اندازه گیری تراز شود و خط لیزر عمودی را طوری تنظیم کنید که وسط آن از میان نقاط  $I$  و  $II$  بگذرد.  
 - وسط خط لیزر واقع بر دور شکاف در را به عنوان نقطه IV علامتگذاری کنید.

- لیزر را نزدیک دیوار A جهت گیری کنید و بگذارید ابزار اندازه گیری تراز شود. مرکز نقطه ای را که تقاطع خطوط لیزر روی دیوار ایجاد می کنند علامت گذاری کنید (نقطه I).

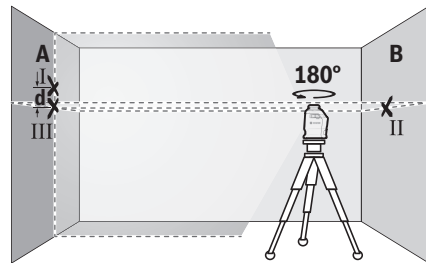


- ابزار اندازه گیری را به مقدار  $180^\circ$  بچرخانید، بگذارید تراز شود و تقاطع نقاط لیزر را روی دیوار مقابل B (نقطه II) علامتگذاری کنید.

- ابزار اندازه گیری را بدون چرخش - نزدیک دیوار B قرار دهید، آن را روشن کنید و بگذارید تراز شود.



- ابزار اندازه گیری را از نظر ارتفاع طوری تنظیم کنید (به کمک یک سه پایه یا با قرار دادن چیزی زیر آن)، تا نقطه تقاطع خطوط لیزر دقیقاً روی نقطه علامتگذاری شده II قبلی روی دیوار B بیافتد.



- ابزار اندازه گیری را به مقدار  $180^\circ$  بچرخانید تا ارتفاع را تغییر دهید. آن را طوری روی دیوار A تنظیم کنید تا خط لیزر عمودی از میان نقطه علامتگذاری شده قبلی I بگذرد. بگذارید ابزار اندازه گیری تراز شود و نقطه تقاطع خطوط لیزر را روی دیوار A (نقطه III) علامتگذاری کنید.  
 - اختلاف  $d$  هر دو نقطه علامتگذاری شده I و III روی دیوار A اختلاف ارتفاع واقعی ابزار اندازه گیری را بدست می دهد.



طول حداقل 50 میلیمتر را داخل سوراخ پیچ (18) موجود در نگهدارنده قرار دهید و آن را محکم بپیچانید (تصویر N).

- همچنین نگهدارنده عمومی (13) را می توان به کمک قفل (16)، روی گیره سقفی (14)، ساختار شبکه سقف یا ریل دیواری تثبیت کرد (تصویر O).

#### عینک لیزر (متعلقات)

عینک مخصوص دید پرتو لیزر نور موجود در محیط را فیلتر می کند. از این طریق پرتو لیزر برای چشمها واضح تر می گردد.

#### از عینک دید لیزر (متعلقات) به عنوان عینک ایمنی استفاده نکنید.

عینک دید لیزر برای تشخیص بهتر پرتو لیزر در نظر گرفته شده است؛ ولی محافظتی در برابر پرتو لیزر نمی کند.

#### از عینک دید لیزر (متعلقات) به عنوان عینک آفتابی یا هنگام رانندگی استفاده نکنید.

عینک دید لیزر دارای حفاظت کامل در برابر اشعه ماوراء بنفش نیست و تشخیص رنگ را کاهش می دهد.

## مراقبت و سرویس

### مراقبت، تعمیر و تمیز کردن دستگاه

ابزار اندازه گیری را همواره تمیز نگاه دارید. ابزار اندازه گیری را در آب و یا سایر مایعات غوطه ور نکنید.

برای پاک کردن آلودگی از یک دستمال نرم و مرطوب استفاده کنید. از بکار بردن مواد شوینده و حلال خودداری کنید.

بخصوص سطوح دور روزه خروجی لیزر را بطور مرتب تمیز کنید و در این رابطه توجه داشته باشید که از دستمال بدون بُز استفاده کنید.

ابزار اندازه گیری را در کیف (24) حمل و کنید. در صورت نیاز به تعمیر، ابزار اندازه گیری را در کیف (24) ارسال کنید.

### خدمات و مشاوره با مشتریان

خدمات مشتری، به سؤالات شما درباره تعمیرات، سرویس و همچنین قطعات یدکی پاسخ خواهد داد. نقشههای سه بعدی و اطلاعات مربوط به قطعات یدکی را در تارنمای زیر میابید:

[www.bosch-pt.com](http://www.bosch-pt.com)

گروه مشاوره به مشتریان Bosch با کمال میل به سؤالات شما درباره محصولات و متعلقات پاسخ می دهند.

برای هرگونه سؤال و یا سفارش قطعات یدکی، حتماً شماره فنی 10 رقمی کالا را مطابق برچسب روی ابزار برقی اطلاع دهید.

#### ایران

روبرت بوش ایران - شرکت بوش تجارت پارس  
میدان ونک، خیابان شهید خدای، خیابان آفتاب  
ساختمان مادیران، شماره 3، طبقه سوم.

تهران 1994834571  
تلفن: 42039000 +9821

- اختلاف **d** هر دو نقطه علامتگذاری شده III و IV اختلاف واقعی ابزار اندازهگیری را نسبت به خط لیزر عمودی را بدست می دهد.

- ارتفاع شکاف ذر را اندازه گیری کنید.

بیشترین اختلاف مجاز را اینگونه محاسبه کنید:

$$0,4 \text{ mm/m} \times \text{دوربرابر ارتفاع ورودی درب}$$

مثال: برای ارتفاع ورودی درب به مقدار 2 متر، بایستی بیشترین اختلاف

$\pm 0,4 \text{ mm/m} \times 2 \text{ m} \times 2 = \pm 1,6 \text{ mm}$  باشد. نقاط III و IV نباید در نهایت بیشتر از 1,6 میلیمتر از یکدیگر قرار داشته باشند.

### راهنمائیهای عملی

#### همواره جهت علامتگذاری از وسط خط لیزر استفاده کنید.

عرض خط لیزر با افزایش فاصله تغییر می کند.

#### کار به سهپایه (متعلقات)

سه پایه، یک کف ثابت با قابلیت تنظیم ارتفاع جهت اندازه گیری عرضه می کند. صفحه چرخان را با  $1/4$ - گیرنده سه پایه (3) روی روزه سه پایه (23) یا یک سه پایه معمولی عکاسی قرار دهید. ابزار اندازه گیری را با پیچ تنظیم سه پایه سفت کنید.

پیش از روشن کردن ابزار اندازه گیری، نخست سه پایه را بطور تقریبی تنظیم کنید.

#### نحوه اتصال با نگهدارنده عمومی (متعلقات)

##### (رجوع کنید به تصاویر O-H)

بکمک نگهدارنده (13) میتوان به عنوان مثال ابزار اندازهگیری را روی سطوح عمودی، لولهها یا مواد دارای قابلیت آهنرباشوندگی متصل کرد. علاوه بر این میتوان نگهدارنده را بعنوان سه پایه زمینی مورد استفاده قرار داد و تنظیم ارتفاع ابزار اندازه گیری را تسهیل نمود.

جهت اتصال ابزار اندازه گیری روی نگهدارنده عمومی (13)، پیچ  $1/4$  (15) موجود در نگهدارنده را در محل اتصال سه پایه (3) در ابزار اندازه گیری محکم کنید.

جهت چرخاندن یا جا به جا کردن ابزار اندازه گیری روی نگهدارنده، پیچ  $1/4$  (15) را به آرامی شل کنید. هنگام استفاده از گیره سقفی (14)، می توان ابزار اندازه گیری را جهت تنظیم دقیق، به کمک دکمه چرخشی (17) بالا و پایین برد.

نگهدارنده (13) را قبل از روشن کردن به طور تقریبی تراز کنید.

به کمک نگهدارنده عمومی (13)، می توان ابزار اندازه گیری را به شرح زیر تثبیت کرد:

- نگهدارنده عمومی (13) (بدون گیره سقفی (14)) را می توان به کمک آهنرباها (19) روی سطوح مغناطیسی تثبیت کرد (تصویر L).

- از نگهدارنده عمومی (13) (بدون گیره سقفی (14)) به عنوان سه پایه میز استفاده کنید. بدین منظور، نگهدارنده را روی کف قرار دهید و پایه های تثبیت (20) نگهدارنده را باز کنید (تصویر M).

- نگهدارنده عمومی (13) (بدون گیره سقفی (14)) را می توان روی دیوارهای خشک یا چوب نصب کرد. بدین منظور، یک پیچ (معمول در بازار) به

آدرس سایر دفاتر خدماتی را در ادامه ببینید:  
[www.bosch-pt.com/serviceaddresses](http://www.bosch-pt.com/serviceaddresses)

### از رده خارج کردن دستگاه

ابزارهای اندازه گیری، باتری ها، متعلقات و بسته بندی ها، باید طبق مقررات حفظ محیط زیست از رده خارج و بازیافت شوند.

ابزارهای اندازه گیری و باتریهای شارژی / قلمی را داخل زباله دان خانگی نیاندازید!



### فقط برای کشورهای عضو اتحادیه اروپا:

ابزارهای اندازه گیری کهنه و غیر قابل استفاده الکتریکی طبق آئین نامه و دستورالعمل اروپائی 2012/19/EU و باتریهای خراب یا فرسوده براساس آیین نامه ی اروپایی 2006/66/EC بایستی جداگانه و متناسب با محیط زیست جمع آوری شوند.