

Robert Bosch Power Tools GmbH
70538 Stuttgart
GERMANY

www.bosch-pt.com

1 609 92A 55R (2019.07) AS / 117



1 609 92A 55R

GSB 19-2 REA Professional

 **BOSCH**

en Original instructions

fr Notice originale

pt Manual original

es Manual original

ar دليل التشغيل الأصلي

de Originalbetriebsanleitung

it Istruzioni originali

nl Oorspronkelijke gebruiksaanwijzing

da Original brugsanvisning

sv Bruksanvisning i original

no Original driftsinstruks

fi Alkuperäiset ohjeet

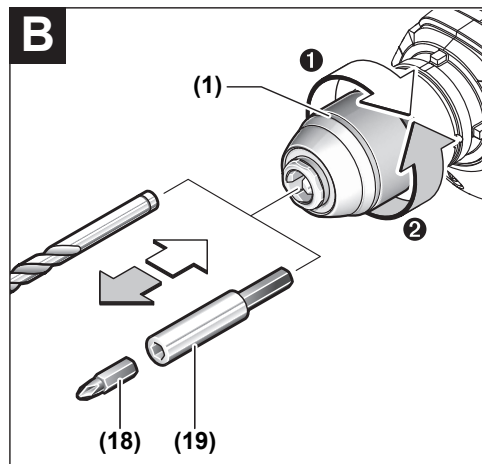
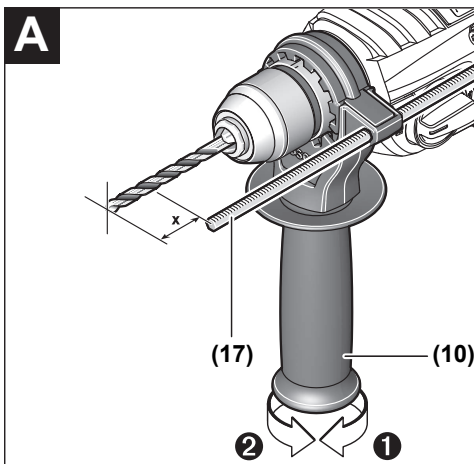
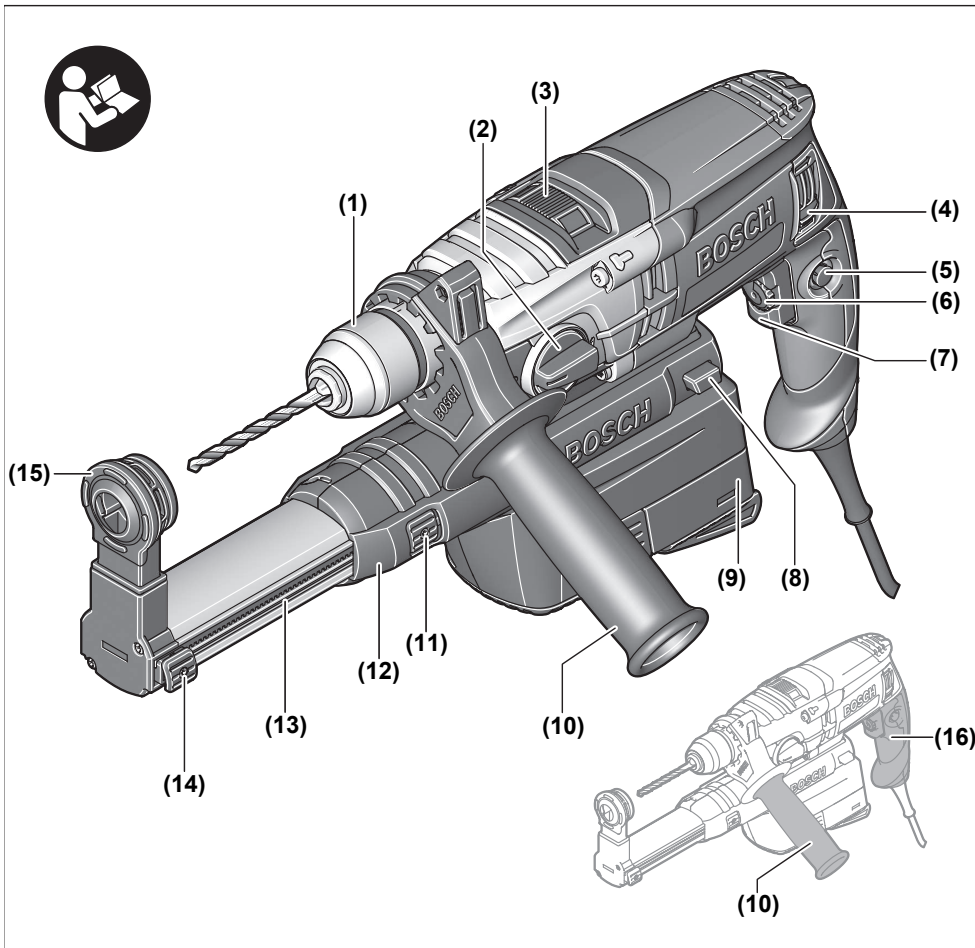
el Πρωτότυπο οδηγιών χρήσης

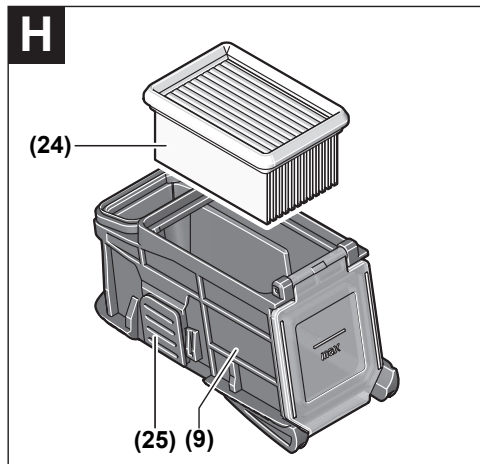
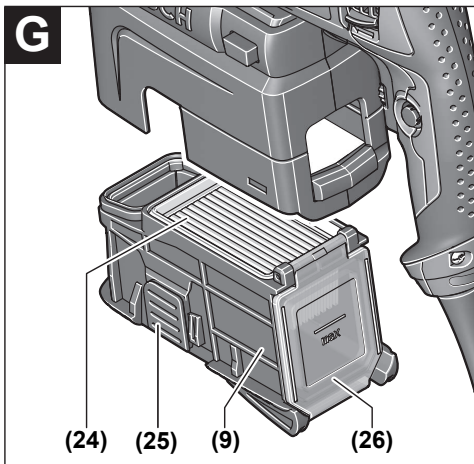
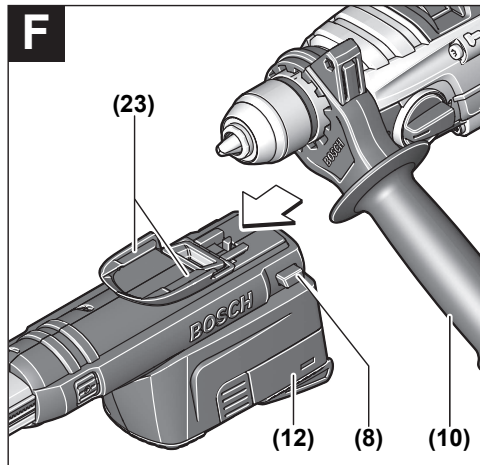
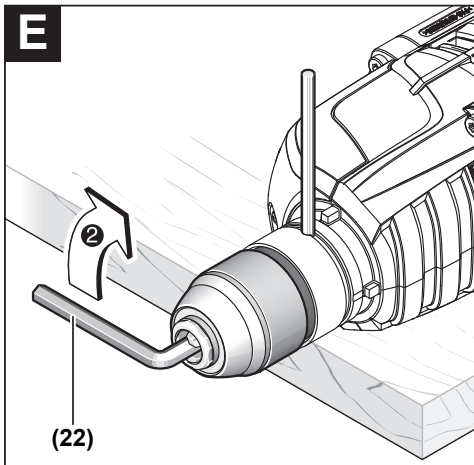
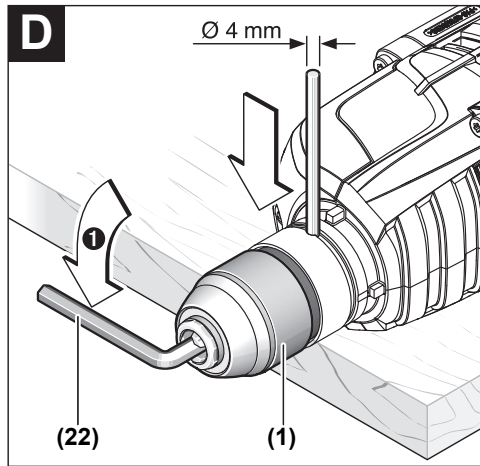
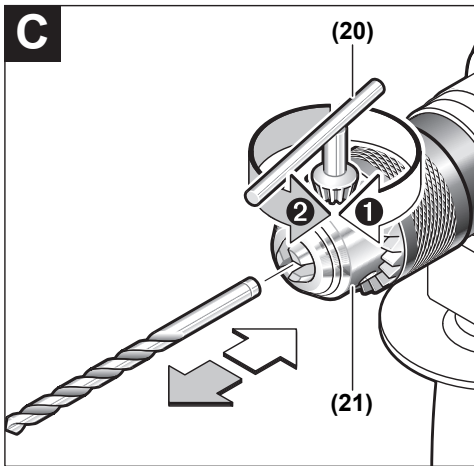
tr Orijinal işletme talimatı

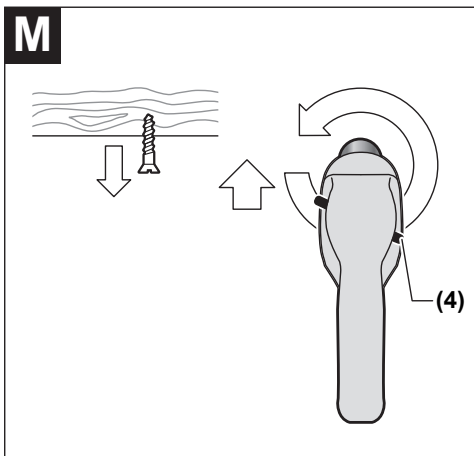
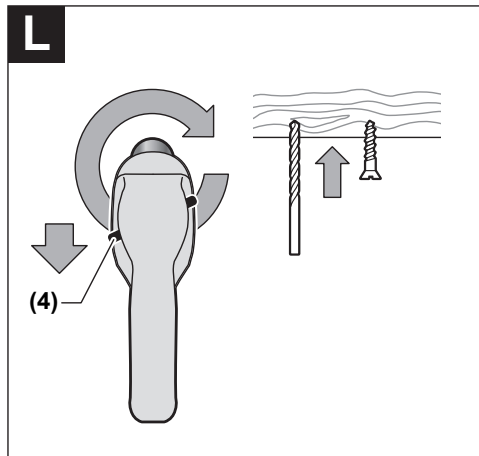
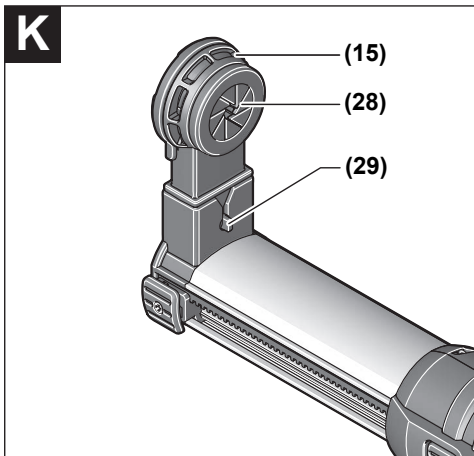
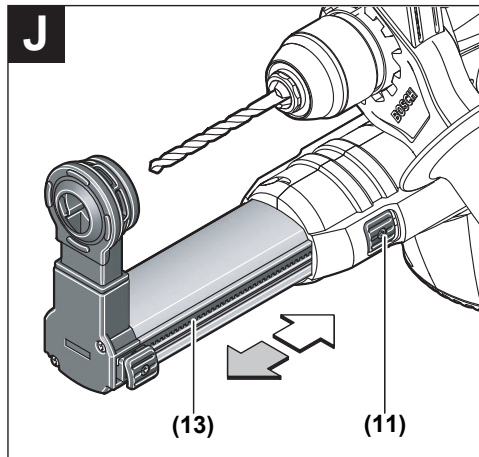
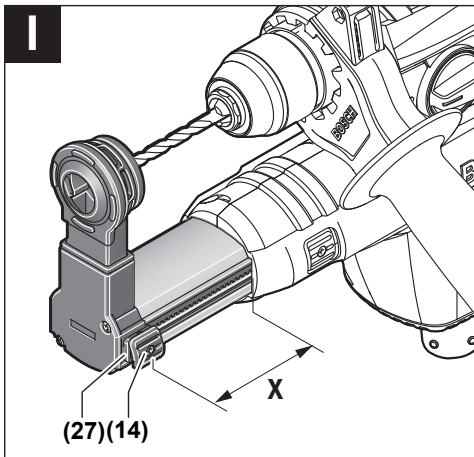
fa دفترچه راهنمای اصلی

English	Page	6
Français	Page	13
Português	Página	20
Español	Página	27
عربي	الصفحة	36
Deutsch	Seite	43
Italiano	Pagina	50
Nederlands	Pagina	57
Dansk	Side	64
Svensk	Sidan	71
Norsk	Side	77
Suomi	Sivu	83
Ελληνικά	Σελίδα	89
Türkçe	Sayfa	96
فارسی	صفحه	104

CE







English

Safety instructions

General Power Tool Safety Warnings

⚠ WARNING Read all safety warnings, instructions, illustrations and specifications provided with this power tool. Failure to follow all instructions listed below may result in electric shock, fire and/or serious injury.

Save all warnings and instructions for future reference.

The term "power tool" in the warnings refers to your mains-operated (corded) power tool or battery-operated (cordless) power tool.

Work area safety

- ▶ **Keep work area clean and well lit.** Cluttered or dark areas invite accidents.
- ▶ **Do not operate power tools in explosive atmospheres, such as in the presence of flammable liquids, gases or dust.** Power tools create sparks which may ignite the dust or fumes.
- ▶ **Keep children and bystanders away while operating a power tool.** Distractions can cause you to lose control.

Electrical safety

- ▶ **Power tool plugs must match the outlet. Never modify the plug in any way. Do not use any adapter plugs with earthed (grounded) power tools.** Unmodified plugs and matching outlets will reduce risk of electric shock.
- ▶ **Avoid body contact with earthed or grounded surfaces, such as pipes, radiators, ranges and refrigerators.** There is an increased risk of electric shock if your body is earthed or grounded.
- ▶ **Do not expose power tools to rain or wet conditions.** Water entering a power tool will increase the risk of electric shock.
- ▶ **Do not abuse the cord. Never use the cord for carrying, pulling or unplugging the power tool. Keep cord away from heat, oil, sharp edges or moving parts.** Damaged or entangled cords increase the risk of electric shock.
- ▶ **When operating a power tool outdoors, use an extension cord suitable for outdoor use.** Use of a cord suitable for outdoor use reduces the risk of electric shock.
- ▶ **If operating a power tool in a damp location is unavoidable, use a residual current device (RCD) protected supply.** Use of an RCD reduces the risk of electric shock.

Personal safety

- ▶ **Stay alert, watch what you are doing and use common sense when operating a power tool. Do not use a power tool while you are tired or under the influence of drugs, alcohol or medication.** A moment of inatten-

tion while operating power tools may result in serious personal injury.

- ▶ **Use personal protective equipment. Always wear eye protection.** Protective equipment such as a dust mask, non-skid safety shoes, hard hat or hearing protection used for appropriate conditions will reduce personal injuries.
- ▶ **Prevent unintentional starting. Ensure the switch is in the off-position before connecting to power source and/or battery pack, picking up or carrying the tool.** Carrying power tools with your finger on the switch or energising power tools that have the switch on invites accidents.
- ▶ **Remove any adjusting key or wrench before turning the power tool on.** A wrench or a key left attached to a rotating part of the power tool may result in personal injury.
- ▶ **Do not overreach. Keep proper footing and balance at all times.** This enables better control of the power tool in unexpected situations.
- ▶ **Dress properly. Do not wear loose clothing or jewellery. Keep your hair and clothing away from moving parts.** Loose clothes, jewellery or long hair can be caught in moving parts.
- ▶ **If devices are provided for the connection of dust extraction and collection facilities, ensure these are connected and properly used.** Use of dust collection can reduce dust-related hazards.
- ▶ **Do not let familiarity gained from frequent use of tools allow you to become complacent and ignore tool safety principles.** A careless action can cause severe injury within a fraction of a second.

Power tool use and care

- ▶ **Do not force the power tool. Use the correct power tool for your application.** The correct power tool will do the job better and safer at the rate for which it was designed.
- ▶ **Do not use the power tool if the switch does not turn it on and off.** Any power tool that cannot be controlled with the switch is dangerous and must be repaired.
- ▶ **Disconnect the plug from the power source and/or remove the battery pack, if detachable, from the power tool before making any adjustments, changing accessories, or storing power tools.** Such preventive safety measures reduce the risk of starting the power tool accidentally.
- ▶ **Store idle power tools out of the reach of children and do not allow persons unfamiliar with the power tool or these instructions to operate the power tool.** Power tools are dangerous in the hands of untrained users.
- ▶ **Maintain power tools and accessories. Check for misalignment or binding of moving parts, breakage of parts and any other condition that may affect the power tool's operation. If damaged, have the power tool repaired before use.** Many accidents are caused by poorly maintained power tools.

- ▶ **Keep cutting tools sharp and clean.** Properly maintained cutting tools with sharp cutting edges are less likely to bind and are easier to control.
- ▶ **Use the power tool, accessories and tool bits etc. in accordance with these instructions, taking into account the working conditions and the work to be performed.** Use of the power tool for operations different from those intended could result in a hazardous situation.
- ▶ **Keep handles and grasping surfaces dry, clean and free from oil and grease.** Slippery handles and grasping surfaces do not allow for safe handling and control of the tool in unexpected situations.

Service

- ▶ **Have your power tool serviced by a qualified repair person using only identical replacement parts.** This will ensure that the safety of the power tool is maintained.

Safety Warnings for Drills

Safety instructions for all operations

- ▶ **Wear ear protectors when impact drilling.** Exposure to noise can cause hearing loss.
- ▶ **Use auxiliary handle(s).** Loss of control can cause personal injury.
- ▶ **Hold the power tool by insulated gripping surfaces, when performing an operation where the cutting accessory or fasteners may contact hidden wiring or its own cord.** Cutting accessory or fasteners contacting a "live" wire may make exposed metal parts of the power tool "live" and could give the operator an electric shock.

Safety instructions when using long drill bits

- ▶ **Never operate at higher speed than the maximum speed rating of the drill bit.** At higher speeds, the bit is likely to bend if allowed to rotate freely without contacting the workpiece, resulting in personal injury.
- ▶ **Always start drilling at low speed and with the bit tip in contact with the workpiece.** At higher speeds, the bit is likely to bend if allowed to rotate freely without contacting the workpiece, resulting in personal injury.
- ▶ **Apply pressure only in direct line with the bit and do not apply excessive pressure.** Bits can bend causing breakage or loss of control, resulting in personal injury.

Additional safety warnings

- ▶ **Switch the power tool off immediately if the application tool becomes blocked. Be prepared for high torque reactions which cause kickback.** The application tool becomes blocked when it becomes jammed in the workpiece or when the power tool becomes overloaded.
- ▶ **Hold the power tool securely.** When tightening and loosening screws be prepared for temporarily high torque reactions.
- ▶ **Secure the workpiece.** A workpiece clamped with clamping devices or in a vice is held more secure than by hand.

- ▶ **Use suitable detectors to determine if utility lines are hidden in the work area or call the local utility company for assistance.** Contact with electric lines can lead to fire and electric shock. Damaging a gas line can lead to explosion. Penetrating a water line causes property damage or may cause an electric shock.
- ▶ **Always wait until the power tool has come to a complete stop before placing it down.** The application tool can jam and cause you to lose control of the power tool.

Products sold in GB only:

Your product is fitted with an BS 1363/A approved electric plug with internal fuse (ASTA approved to BS 1362).

If the plug is not suitable for your socket outlets, it should be cut off and an appropriate plug fitted in its place by an authorised customer service agent. The replacement plug should have the same fuse rating as the original plug.

The severed plug must be disposed of to avoid a possible shock hazard and should never be inserted into a mains socket elsewhere.

Product Description and Specifications



Read all the safety and general instructions.

Failure to observe the safety and general instructions may result in electric shock, fire and/or serious injury.

Please observe the illustrations at the beginning of this operating manual.

Intended Use

The power tool is intended for impact drilling in brick, concrete and stone, as well as for drilling in wood, metal, ceramic and plastic. Tools with electronic control and right/left rotation are also suitable for screwdriving and thread cutting.

Product Features

The numbering of the product features refers to the diagram of the power tool on the graphics page.

- (1) Keyless chuck
- (2) Gear selector switch
- (3) "Drilling/impact drilling" selector switch
- (4) Rotational direction switch
- (5) Lock-on button for on/off switch
- (6) Speed preselection thumbwheel
- (7) On/off switch
- (8) Release button for dust extraction system
- (9) Complete dust box (Microfilter system)
- (10) Auxiliary handle (insulated gripping surface)^{A)}
- (11) Button for adjustment of the telescopic guide
- (12) Dust extraction system
- (13) Telescopic guide

- (14) Button for depth stop adjustment
- (15) Dust collector for drill bits
- (16) Handle (insulated gripping surface)
- (17) Depth stop^{A)}
- (18) Screwdriver bit^{A)}
- (19) Universal bit holder^{A)}
- (20) Drill chuck key^{A)}
- (21) Keyed chuck^{A)}
- (22) Hex key^{B)}
- (23) Guide groove for dust extraction system
- (24) Filter element (Microfilter system)
- (25) Release button for dust box
- (26) Dust box flap
- (27) Depth stop (dust extraction system)^{A)}
- (28) Rubber ring for dust collector
- (29) Release button for dust collector

A) **Accessories shown or described are not included with the product as standard. You can find the complete selection of accessories in our accessories range.**

B) **Commercially available (not included in the scope of delivery)**

Technical Data

Impact drill	GSB 19-2 REA	
Article number		3 601 A7C 5..
Rated power input	W	900
Max. power output	W	455
No-load speed		
– First gear	min ⁻¹	0–1000
– Second gear	min ⁻¹	0–3000
Rated speed		
– First gear	min ⁻¹	770
– Second gear	min ⁻¹	1990
Impact rate at no-load speed	min ⁻¹	51,000
Rated torque		
– First gear	Nm	5.7
– Second gear	Nm	2.2
Speed preselection		●
Clockwise/anti-clockwise		●
Keyed chuck		–
Keyless chuck		●
Fully automatic spindle lock (Auto-Lock)		●
Spindle collar diameter	mm	43
Max. drilling diameter (first/second gear)		
– Concrete	mm	18/13
– Masonry	mm	20/15

Impact drill	GSB 19-2 REA	
– Steel	mm	13/8
– Wood	mm	40/25
Chuck capacity	mm	1.5–13
Suction capacity	l/min	460
Dust box capacity (for level drilling)		
– Drill holes, 6 x 30 mm	pc.	130
– Drill holes, 8 x 30 mm	pc.	75
– Drill holes, 10 x 30 mm	pc.	45
Weight according to EPTA-Procedure 01:2014		
– with dust extraction attachment	kg	3.2
– without dust extraction attachment	kg	2.6
Protection class		□ / II

The specifications apply to a rated voltage [U] of 230 V. These specifications may vary at different voltages and in country-specific models.

Noise/vibration information

Noise emission values determined according to

EN 62841-2-1.

Typically, the A-weighted noise level of the power tool is: Sound pressure level **95 dB(A)**; sound power level **106 dB(A)**. Uncertainty **K=5 dB**.

Wear hearing protection!

Vibration total values a_{hv} (triax vector sum) and uncertainty **K** determined according to **EN 62841-2-1**.

Drilling into metal: $a_{hv} = 3.0 \text{ m/s}^2$, $K = 1.5 \text{ m/s}^2$.

Impact drilling into concrete: $a_{hv} = 15 \text{ m/s}^2$, $K = 2.0 \text{ m/s}^2$.

Screwdriving: $a_{hv} < 2.5 \text{ m/s}^2$, $K = 1.5 \text{ m/s}^2$.

Thread cutting: $a_{hv} < 2.5 \text{ m/s}^2$, $K = 1.5 \text{ m/s}^2$.

The vibration level and noise emission value given in these instructions have been measured in accordance with a standardised measuring procedure and may be used to compare power tools. They may also be used for a preliminary estimation of vibration and noise emissions.

The stated vibration level and noise emission value represent the main applications of the power tool. However, if the power tool is used for other applications, with different application tools or is poorly maintained, the vibration level and noise emission value may differ. This may significantly increase the vibration and noise emissions over the total working period.

To estimate vibration and noise emissions accurately, the times when the tool is switched off or when it is running but not actually being used should also be taken into account. This may significantly reduce vibration and noise emissions over the total working period.

Implement additional safety measures to protect the operator from the effects of vibration, such as servicing the power tool and application tools, keeping their hands warm, and organising workflows correctly.

Assembly

- ▶ **Pull the plug out of the socket before carrying out any work on the power tool.**

Auxiliary Handle

- ▶ **Do not operate your power tool without the auxiliary handle (10).**

You can adjust the auxiliary handle (10) to any of 12 positions in order to achieve a safe work posture that minimises fatigue.

Turn the lower gripping end of the auxiliary handle (10) in rotational direction ❶ and push the auxiliary handle (10) forward until you can swivel it into the required position. Then pull the auxiliary handle (10) back again and turn the lower gripping end in rotational direction ❷ to tighten it.

Setting the Drilling Depth (see figure A)

You can use the depth stop (27) to set the required drilling depth X.

Turn the lower gripping end of the auxiliary handle (10) anti-clockwise and set the depth stop (17).

Pull the depth stop far enough out that the distance between the drill bit tip and the edge of the depth stop corresponds to the required drilling depth X.

Then turn the lower gripping end of the auxiliary handle (10) clockwise to retighten it.

The fluting on the depth stop (17) must face upwards.

Changing the tool

- ▶ **Wear protective gloves when changing tools.** The drill chuck may heat up significantly when it is used for long periods.

Keyless chuck (see figure B)

The drill spindle is locked when the on/off switch (7) is not pressed. This makes it possible to change the application tool in the drill chuck quickly, conveniently and easily.

Open the keyless chuck (1) by turning it in the direction of rotation ❶ until the tool can be inserted. Insert the tool.

Firmly tighten the sleeve of the keyless chuck (1) by turning it by hand in the rotational direction ❷ until it stops clicking. This will automatically lock the drill chuck.

The lock will disengage again if you turn the sleeve in the opposite direction to remove the tool.

Keyed chuck (see figure C)

Open the keyed chuck (21) by turning it until the tool can be inserted. Insert the tool.

Insert the chuck key (20) into the corresponding holes of the keyed chuck (21) and clamp the tool evenly.

Screwdriving Tools

You should always use a universal bit holder (19) when using screwdriver bits (18). Only use screwdriver bits that fit the screw head.

For screwdriving, make sure the "drilling/impact drilling" selector switch (3) is always set to the "drilling" symbol.

Changing the drill chuck

- ▶ **Pull the plug out of the socket before carrying out any work on the power tool.**

Removing the Drill Chuck (see figure D)

Remove the auxiliary handle and set the gear selector switch (2) to the middle position between first and second gear.

Insert a steel pin with a diameter of 4 mm and a length of approx. 50 mm into the hole on the spindle collar to lock the drill spindle in place.

Clamp a hex key (22) in the keyless chuck (1), leading with the short shaft.

Place the power tool on a firm surface, e.g. a work bench. Hold the power tool in place and loosen the keyless chuck (1) by turning the hex key (22) in the rotational direction ❶. A tightly seated keyless chuck is loosened with a light blow on the long shaft of the hex key (22). Remove the hex key from the keyless chuck and completely unscrew the keyless chuck from the machine.

For power tools with a keyed chuck, removal is carried out as described above.

For power tools with a keyless chuck, an open-ended spanner (width across flats 19 mm) can be mounted on the drill chuck instead of the hex key (22).

Fitting the Drill Chuck (see figure E)

To fit the keyless chuck/keyed chuck, perform the same steps in reverse order.



The drill chuck must be tightened using a tightening torque of approx. 50–55 Nm.

- ▶ **After successfully fitting the drill chuck, remove the steel pin from the hole again.**

Dust Extraction System/Dust Container

The dust from materials such as lead paint, some types of wood, minerals and metal can be harmful to human health. Touching or breathing in this dust can trigger allergic reactions and/or cause respiratory illnesses in the user or in people in the near vicinity.

Certain dusts, such as oak or beech dust, are classified as carcinogenic, especially in conjunction with wood treatment additives (chromate, wood preservative). Materials containing asbestos may only be machined by specialists.

- Use a dust extraction system that is suitable for the material wherever possible.
- Provide good ventilation at the workplace.
- It is advisable to wear a P2 filter class breathing mask.

The regulations on the material being machined that apply in the country of use must be observed.

- ▶ **Use the dust extraction attachment only when working on concrete, brick and brickwork.** Wood chips and plastic chips can easily cause blockages.

- ▶ **Warning: Danger of fire! Do not work on any metallic materials with the dust extraction attachment fitted.** Hot metal chips can ignite parts of the dust container.

► **Avoid dust accumulation at the workplace.** Dust can easily ignite.

Note: Do not use the dust extraction system (12) when screwdriving or cutting threads.

The dust extraction system (12) springs back while working so that the dust collector is always kept close to surface. The dust extraction system is automatically switched on and off with the power tool.

To achieve optimum extraction results, pay attention to the following instructions:

- The application tool being used must not project beyond the dust collector (15).
- Ensure that the dust extraction attachment is positioned flush with the workpiece or the wall. This also makes it easier to drill at a right angle.
- When using the dust extraction attachment, always work at the maximum speed.
- When you reach the required drilling depth, pull the drill bit out of the drill hole first and then switch off the impact drill.
- Check the condition of the filter element regularly (24). Change the filter element immediately if it is damaged.

Removing/Fitting the Dust Extraction System (see figure F)

To remove the dust extraction system, press the release button (8) and pull the dust extraction system toward you.

To do this, move the auxiliary handle (10) to the side if necessary.

To fit the dust extraction system (12), slide it via the guide grooves (23) onto the support guide of the power tool until you hear it click into place.

Self-Generated Dust Extraction with Dust Box (see figure G)

The filling level of the dust box (9) can easily be checked through the transparent flap (26).

Empty the dust box at regular intervals to avoid any reduction in suction capacity.

To remove the dust box (9), press the two release buttons (25) and pull the dust box downward out of the dust extraction system (12).

Before opening the dust box (9), gently strike or tap it against a firm surface to loosen the dust from the filter element (24).

Open the dust box flap (26) on the bottom and empty the dust box.

Check the filter element (24) for damage. If it is damaged, replace it immediately.

Shut the dust box flap (26) and reinsert the dust box from below into the dust extraction system 13 until you hear it click into place.

Changing the Filter Element (see figure H)

In order to maintain the filter performance, the filter element (24) of the dust box (9) must be changed after approx. 15 operating hours.

To remove the dust box (9), press the two release buttons (25) and pull the dust box downward out of the dust extraction system (12).

Remove the filter element (24) upward and insert a new filter element.

Reinsert the dust box into the dust extraction system (12) from below until you hear it click into place.

Note: If the filter element (24) is damaged (e.g. holes, damage to the soft sealing material), it must be replaced immediately. Working with a damaged filter element can cause damage to the power tool. Also replace the filter element (24) when the suction capacity is insufficient, even when the dust box (9) is empty.

Setting the Drilling Depth (see figure I)

You can use the depth stop (27) to set the required drilling depth X.

Insert a drill bit into the drill chuck and clamp the drill bit, see "Changing the Tool" section. Without switching the power tool on, place it securely against the surface to be drilled until the drill bit touches the surface.

Press the button for depth stop adjustment (14) and move the depth stop (27) so that the clearance X shown in the figure corresponds with the required drilling depth.

Adapting the Dust Extraction System to the Tool Length (see figure J)

To make working with short application tools more convenient, the length of the dust extraction system (12) can be adapted.

Press and hold the button (11) and slide the telescopic guide (13) into the dust extraction system (12) until the dust collector is close to the tip of the application tool.

To extend the telescopic guide back out, press the button (11) again.

Dust Collector for Drill Bits (see figure K)

The dust collector for drill bits (15) can be equipped with rubber rings (28) in two sizes. For drill holes to 12 mm in diameter, use the rubber ring K1 with the small opening; for larger drill holes, use rubber ring K2 with the large opening.

To change the rubber ring (28), push it backwards out of the dust collector (15). To insert the rubber ring, place it on the dust collector and push it tight.

To change the dust collector (15), push the release button (29) and pull the dust collector out of the dust extraction system.

To insert the dust collector (15), push it from above into the dust extraction system (12) until you hear it click into place.

Operation

Starting Operation

- **Pay attention to the mains voltage. The voltage of the power source must match the voltage specified on the rating plate of the power tool. Power tools marked with 230 V can also be operated with 220 V.**

- **Products that are only sold in AUS and NZ:** Use a residual current device (RCD) with a nominal residual current of 30 mA or less.

Setting the rotational direction (see figure L - M)

- **Only operate the rotational direction switch (4) when the power tool is not in use.**

The rotational direction switch (4) is used to change the rotational direction of the power tool. However, this is not possible while the on/off switch (7) is being pressed.

Clockwise rotation: To drill and drive in screws, slide the rotational direction switch (4) downwards on the left-hand side and upwards on the right-hand side at the same time.

Anti-clockwise rotation: To loosen and unscrew screws and nuts, slide the rotational direction switch (4) upwards on the left-hand side and downwards on the right-hand side at the same time.

Setting the Operating Mode



Drilling and screwdriving

Set the selector switch (3) to the "drilling" symbol.



Impact drilling

Set the selector switch (3) to the "impact drilling" symbol.

The selector switch (3) clicks into place and can also be actuated when the motor is running.

Mechanical Gear Selection

- **You can press the gear selector switch (2) with the power tool running at a low speed. You should not do this at full load or maximum torque, or when the tool is not in use, however.**

You can preselect two speed ranges with the gear selector (2).



First gear:

- 1 Low speed range; for working with a large drilling diameter or for screwdriving.



Second gear:

- 1 High speed range; for working with a small drilling diameter.

If the gear selector (2) cannot be swivelled all the way to the stop, turn the drive spindle slightly with the drill.

Switching on/off

To **start** the power tool, press and hold the on/off switch (7).

Press the lock-on button (5) to **lock** the on/off switch (7) in this position.

To **switch off** the power tool, release the on/off switch (7); or, if the switch is locked with the lock-on button (5), briefly press the on/off switch (7) and then release it.

Overload clutch



The power tool is equipped with an overload clutch (anti-rotation) to limit high torque reactions.

- **If the application tool jams or snags, the power transmission to the drill spindle will be interrupted. Always hold the power tool firmly with both hands to withstand the forces this may create and adopt a position with stable footing.**

- **Switch the power tool off immediately and remove the application tool if the power tool becomes blocked. Switching on when the drilling tool is blocked may cause high torque reactions.**

Adjusting the Speed/Impact Rate

You can adjust the speed/impact rate of the power tool when it is on by pressing in the on/off switch (7) to varying extents.

Applying light pressure to the on/off switch (7) results in a low rotational speed/impact rate. Applying increasing pressure to the switch increases the speed/impact rate.

Preselecting the speed/impact rate

You can preselect the required speed/impact rate using the speed preselection thumbwheel (6), even during operation.

The required speed/impact rate is dependent on the material and the work conditions and can be determined by practical trials.

Practical Advice

- **Pull the plug out of the socket before carrying out any work on the power tool.**
- **Only apply the power tool to the screw/nut when the tool is switched off.** Rotating tool inserts can slip off.

After working at a low speed for an extended period, you should operate the power tool at the maximum speed for approximately three minutes without load to cool it down.

To drill into tiles, set the selector switch (3) to the "drilling" symbol. After drilling through the tile, set the selector switch to the "impact drilling" symbol and drill with impact.

Use carbide drill bits when working with concrete, stone and masonry.

When drilling into metal, only use sharpened HSS drills (HSS = high-speed steel) which are in perfect condition. The **Bosch** accessory range guarantees appropriate quality.

Using the drill bit sharpener (accessory), you can effortlessly sharpen twist drill bits with a diameter of 2.5–10 mm.

Maintenance and Service

Maintenance and Cleaning

- **Pull the plug out of the socket before carrying out any work on the power tool.**
- **To ensure safe and efficient operation, always keep the power tool and the ventilation slots clean.**

In order to avoid safety hazards, if the power supply cord needs to be replaced, this must be done by **Bosch** or by an after-sales service centre that is authorised to repair **Bosch** power tools.

After-Sales Service and Application Service

Our after-sales service responds to your questions concerning maintenance and repair of your product as well as spare parts. You can find explosion drawings and information on spare parts at: www.bosch-pt.com

The Bosch product use advice team will be happy to help you with any questions about our products and their accessories.

In all correspondence and spare parts orders, please always include the 10-digit article number given on the nameplate of the product.

Great Britain

Robert Bosch Ltd. (B.S.C.)
P.O. Box 98
Broadwater Park
North Orbital Road
Denham Uxbridge
UB 9 5HJ

At www.bosch-pt.co.uk you can order spare parts or arrange the collection of a product in need of servicing or repair.

Tel. Service: (0344) 7360109

E-Mail: boschservicecentre@bosch.com

Ireland

Origo Ltd.
Unit 23 Magna Drive
Magna Business Park
City West
Dublin 24
Tel. Service: (01) 4666700
Fax: (01) 4666888

Australia, New Zealand and Pacific Islands

Robert Bosch Australia Pty. Ltd.
Power Tools
Locked Bag 66
Clayton South VIC 3169
Customer Contact Center
Inside Australia:
Phone: (01300) 307044
Fax: (01300) 307045
Inside New Zealand:
Phone: (0800) 543353
Fax: (0800) 428570
Outside AU and NZ:
Phone: +61 3 95415555
www.bosch-pt.com.au
www.bosch-pt.co.nz

Republic of South Africa Customer service

Hotline: (011) 6519600

Gauteng – BSC Service Centre

35 Roper Street, New Centre
Johannesburg
Tel.: (011) 4939375
Fax: (011) 4930126
E-Mail: bsctools@icon.co.za

KZN – BSC Service Centre

Unit E, Almar Centre
143 Crompton Street
Pinetown
Tel.: (031) 7012120
Fax: (031) 7012446
E-Mail: bsc.dur@za.bosch.com

Western Cape – BSC Service Centre

Democracy Way, Prosperity Park
Milnerton
Tel.: (021) 5512577
Fax: (021) 5513223
E-Mail: bsc@zsd.co.za

Bosch Headquarters

Midrand, Gauteng
Tel.: (011) 6519600
Fax: (011) 6519880
E-Mail: rbsa-hq.pts@za.bosch.com

Armenia, Azerbaijan, Georgia

Robert Bosch Ltd.
David Agmashenebeli ave. 61
0102 Tbilisi, Georgia
Tel. +995322510073
www.bosch.com

Kyrgyzstan, Mongolia, Tajikistan, Turkmenistan, Uzbekistan

TOO "Robert Bosch" Power Tools, After Sales Service
Muratbaev Ave., 180
050012, Almaty, Kazakhstan
Service Email: service.pt.ka@bosch.com
Official Website: www.bosch.com, www.bosch-pt.com

Disposal

The power tool, accessories and packaging should be recycled in an environmentally friendly manner.



Do not dispose of power tools along with household waste.

Only for EU countries:

According to the European Directive 2012/19/EU on Waste Electrical and Electronic Equipment and its implementation into national law, power tools that are no longer usable must be collected separately and disposed of in an environmentally friendly manner.

Français

Consignes de sécurité

Avertissements de sécurité généraux pour l'outil électrique

AVERTISSEMENT Lire tous les avertissements de sécurité, les instructions, les illustrations et les spécifications fournies avec cet outil électrique.

Ne pas suivre les instructions énumérées ci-dessous peut provoquer un choc électrique, un incendie et/ou une blessure sérieuse.

Conservé tous les avertissements et toutes les instructions pour pouvoir s'y reporter ultérieurement.

Le terme "outil électrique" dans les avertissements fait référence à votre outil électrique alimenté par le secteur (avec cordon d'alimentation) ou votre outil électrique fonctionnant sur batterie (sans cordon d'alimentation).

Sécurité de la zone de travail

- ▶ **Conservé la zone de travail propre et bien éclairée.**
Les zones en désordre ou sombres sont propices aux accidents.
- ▶ **Ne pas faire fonctionner les outils électriques en atmosphère explosive, par exemple en présence de liquides inflammables, de gaz ou de poussières.** Les outils électriques produisent des étincelles qui peuvent enflammer les poussières ou les fumées.
- ▶ **Maintenir les enfants et les personnes présentes à l'écart pendant l'utilisation de l'outil électrique.** Les distractions peuvent vous faire perdre le contrôle de l'outil.

Sécurité électrique

- ▶ **Il faut que les fiches de l'outil électrique soient adaptées au socle. Ne jamais modifier la fiche de quelque façon que ce soit. Ne pas utiliser d'adaptateurs avec des outils électriques à branchement de terre.** Des fiches non modifiées et des socles adaptés réduisent le risque de choc électrique.
- ▶ **Éviter tout contact du corps avec des surfaces reliées à la terre telles que les tuyaux, les radiateurs, les cuisinières et les réfrigérateurs.** Il existe un risque accru de choc électrique si votre corps est relié à la terre.
- ▶ **Ne pas exposer les outils électriques à la pluie ou à des conditions humides.** La pénétration d'eau à l'intérieur d'un outil électrique augmente le risque de choc électrique.
- ▶ **Ne pas maltraiter le cordon. Ne jamais utiliser le cordon pour porter, tirer ou débrancher l'outil électrique. Maintenir le cordon à l'écart de la chaleur, du lubrifiant, des arêtes vives ou des parties en mouvement.** Des cordons endommagés ou emmêlés augmentent le risque de choc électrique.
- ▶ **Lorsqu'on utilise un outil électrique à l'extérieur, utiliser un prolongateur adapté à l'utilisation extérieure.**

L'utilisation d'un cordon adapté à l'utilisation extérieure réduit le risque de choc électrique.

- ▶ **Si l'usage d'un outil électrique dans un emplacement humide est inévitable, utiliser une alimentation protégée par un dispositif à courant différentiel résiduel (RCD).** L'usage d'un RCD réduit le risque de choc électrique.

Sécurité des personnes

- ▶ **Rester vigilant, regarder ce que vous êtes en train de faire et faire preuve de bon sens dans votre utilisation de l'outil électrique. Ne pas utiliser un outil électrique lorsque vous êtes fatigué ou sous l'emprise de drogues, de l'alcool ou de médicaments.** Un moment d'inattention en cours d'utilisation d'un outil électrique peut entraîner des blessures graves.
- ▶ **Utiliser un équipement de protection individuelle. Toujours porter une protection pour les yeux.** Les équipements de protection individuelle tels que les masques contre les poussières, les chaussures de sécurité antidérapantes, les casques ou les protections auditives utilisés pour les conditions appropriées réduisent les blessures.
- ▶ **Éviter tout démarrage intempestif. S'assurer que l'interrupteur est en position arrêt avant de brancher l'outil au secteur et/ou au bloc de batteries, de le ramasser ou de le porter.** Porter les outils électriques en ayant le doigt sur l'interrupteur ou brancher des outils électriques dont l'interrupteur est en position marche est source d'accidents.
- ▶ **Retirer toute clé de réglage avant de mettre l'outil électrique en marche.** Une clé laissée fixée sur une partie tournante de l'outil électrique peut donner lieu à des blessures.
- ▶ **Ne pas se précipiter. Garder une position et un équilibre adaptés à tout moment.** Cela permet un meilleur contrôle de l'outil électrique dans des situations inattendues.
- ▶ **S'habiller de manière adaptée. Ne pas porter de vêtements amples ou de bijoux. Garder les cheveux et les vêtements à distance des parties en mouvement.** Des vêtements amples, des bijoux ou les cheveux longs peuvent être pris dans des parties en mouvement.
- ▶ **Si des dispositifs sont fournis pour le raccordement d'équipements pour l'extraction et la récupération des poussières, s'assurer qu'ils sont connectés et correctement utilisés.** Utiliser des collecteurs de poussière peut réduire les risques dus aux poussières.
- ▶ **Rester vigilant et ne pas négliger les principes de sécurité de l'outil sous prétexte que vous avez l'habitude de l'utiliser.** Une fraction de seconde d'inattention peut provoquer une blessure grave.

Utilisation et entretien de l'outil électrique

- ▶ **Ne pas forcer l'outil électrique. Utiliser l'outil électrique adapté à votre application.** L'outil électrique adapté réalise mieux le travail et de manière plus sûre au régime pour lequel il a été construit.

- ▶ **Ne pas utiliser l'outil électrique si l'interrupteur ne permet pas de passer de l'état de marche à arrêt et inversement.** Tout outil électrique qui ne peut pas être commandé par l'interrupteur est dangereux et il faut le réparer.
- ▶ **Débrancher la fiche de la source d'alimentation et/ou enlever le bloc de batteries, s'il est amovible, avant tout réglage, changement d'accessoires ou avant de ranger l'outil électrique.** De telles mesures de sécurité préventives réduisent le risque de démarrage accidentel de l'outil électrique.
- ▶ **Conserver les outils électriques à l'arrêt hors de la portée des enfants et ne pas permettre à des personnes ne connaissant pas l'outil électrique ou les présentes instructions de le faire fonctionner.** Les outils électriques sont dangereux entre les mains d'utilisateurs novices.
- ▶ **Observer la maintenance des outils électriques et des accessoires. Vérifier qu'il n'y a pas de mauvais alignement ou de blocage des parties mobiles, des pièces cassées ou toute autre condition pouvant affecter le fonctionnement de l'outil électrique. En cas de dommages, faire réparer l'outil électrique avant de l'utiliser.** De nombreux accidents sont dus à des outils électriques mal entretenus.
- ▶ **Garder affûtés et propres les outils permettant de couper.** Des outils destinés à couper correctement entretenus avec des pièces coupantes tranchantes sont moins susceptibles de bloquer et sont plus faciles à contrôler.
- ▶ **Utiliser l'outil électrique, les accessoires et les lames etc., conformément à ces instructions, en tenant compte des conditions de travail et du travail à réaliser.** L'utilisation de l'outil électrique pour des opérations différentes de celles prévues peut donner lieu à des situations dangereuses.
- ▶ **Il faut que les poignées et les surfaces de préhension restent sèches, propres et dépourvues d'huiles et de graisses.** Des poignées et des surfaces de préhension glissantes rendent impossibles la manipulation et le contrôle en toute sécurité de l'outil dans les situations inattendues.

Maintenance et entretien

- ▶ **Faire entretenir l'outil électrique par un réparateur qualifié utilisant uniquement des pièces de rechange identiques.** Cela assure le maintien de la sécurité de l'outil électrique.

Avertissements de sécurité pour la perceuse

Instructions de sécurité pour toutes les opérations

- ▶ **Porter des protecteurs d'oreille lors de l'utilisation de la perceuse à percussion.** Porter des protecteurs d'oreille lors de l'utilisation de la perceuse à percussion.
- ▶ **Utiliser la ou les poignées auxiliaires.** La perte de contrôle peut provoquer des blessures.

- ▶ **Tenir l'outil électrique par les surfaces de préhension isolées, au cours des opérations pendant lesquelles l'accessoire de coupe ou les fixations peut être en contact avec un câblage caché ou avec son propre cordon.** Un accessoire de coupe ou les fixations en contact avec un fil "sous tension" peut "mettre sous tension" les parties métalliques exposées de l'outil électrique et provoquer un choc électrique chez l'opérateur.

Instructions de sécurité pour l'utilisation de forets longs

- ▶ **Ne jamais utiliser à une vitesse supérieure à la vitesse assignée maximale du foret.** À des vitesses supérieures, le foret est susceptible de se plier s'il peut tourner librement sans être en contact avec la pièce à usiner, ce qui provoque des blessures.
- ▶ **Toujours commencer à percer à faible vitesse et en mettant l'embout du foret en contact avec la pièce à usiner.** À des vitesses supérieures, le foret est susceptible de se plier s'il peut tourner librement sans être en contact avec la pièce à usiner, ce qui provoque des blessures.
- ▶ **Appliquer une pression uniquement sur le foret et ne pas appliquer de pression excessive.** Les forets peuvent se plier, ce qui peut provoquer leur casse ou une perte de contrôle, et donc des blessures.

Consignes de sécurité additionnelles

- ▶ **Arrêtez immédiatement l'outil électroportatif dès que l'accessoire se bloque. Attendez-vous à des couples de réaction importants causant des rebonds.** L'accessoire se bloque quand il reste coincé dans la pièce ou quand l'outil électroportatif est en surcharge.
- ▶ **Maintenez bien l'outil électroportatif en place.** Lors du serrage ou du desserrage des vis, des couples de réaction élevés peuvent survenir en peu de temps.
- ▶ **Bloquez la pièce à travailler.** Une pièce à travailler serrée par des dispositifs de serrage appropriés ou dans un étau est fixée de manière plus sûre que quand elle est tenue avec une main.
- ▶ **Utilisez un détecteur approprié pour vérifier s'il n'y a pas de conduites cachées ou contactez votre société de distribution d'eau locale.** Tout contact avec des câbles électriques peut provoquer un incendie ou un choc électrique. Tout endommagement d'une conduite de gaz peut provoquer une explosion. La perforation d'une conduite d'eau provoque des dégâts matériels et peut provoquer un choc électrique.
- ▶ **Avant de poser l'outil électroportatif, attendez que celui-ci soit complètement à l'arrêt.** L'outil risque de se coincer, ce qui entraînerait une perte de contrôle de l'outil électroportatif.

Description des prestations et du produit



Lisez attentivement toutes les instructions et consignes de sécurité. Le non-respect des instructions et consignes de sécurité peut provoquer un choc électrique, un incendie et/ou entraîner de graves blessures.

Référez-vous aux illustrations qui se trouvent à l'avant de la notice d'utilisation.

Utilisation conforme

L'outil électroportatif est conçu pour les travaux de perçage en frappe dans la brique, le béton et dans la pierre naturelle ainsi que pour le perçage dans le bois, le métal, la céramique et les matières plastiques. Les appareils à commande électronique et à rotation à droite/gauche sont également appropriés pour le vissage et le taraudage.

Éléments constitutifs

La numérotation des éléments de l'appareil se réfère à la représentation de l'outil électroportatif sur la page graphique.

- (1) Mandrin automatique
- (2) Sélecteur de vitesse
- (3) Commutateur « Perçage sans percussion/Perçage à percussion »
- (4) Sélecteur de sens de rotation
- (5) Bouton de blocage de l'interrupteur Marche/Arrêt
- (6) Molette de présélection de vitesse
- (7) Interrupteur Marche/Arrêt
- (8) Bouton de déverrouillage du dispositif d'aspiration
- (9) Bac récupérateur de poussières (système micro-filtre)
- (10) Poignée supplémentaire (surface de préhension isolée)^{A)}
- (11) Bouton de réglage du guide télescopique
- (12) Dispositif d'aspiration
- (13) Guide télescopique
- (14) Bouton de réglage de butée de profondeur
- (15) Anneau-collecteur de poussières pour foret
- (16) Poignée (surface de préhension isolée)
- (17) Butée de profondeur^{A)}
- (18) Embout de vissage^{A)}
- (19) Porte-embout universel^{A)}
- (20) Clé de mandrin^{A)}
- (21) Mandrin à clé^{A)}
- (22) Clé mâle pour six pans creux^{B)}
- (23) Rainure de guidage du dispositif d'aspiration
- (24) Élément filtrant (système microfiltre)
- (25) Bouton de déverrouillage du bac récupérateur de poussières
- (26) Clapet du bac récupérateur de poussières
- (27) Butée de profondeur (dispositif d'aspiration)^{A)}
- (28) Bague en caoutchouc de l'anneau-collecteur de poussières
- (29) Bouton de déverrouillage de l'anneau-collecteur de poussières

A) **Les accessoires décrits ou illustrés ne sont pas tous compris dans la fourniture. Vous trouverez les accessoires complets dans notre gamme d'accessoires.**

B) **disponible dans le commerce (non fourni)**

Caractéristiques techniques

Perceuse à percussion	GSB 19-2 REA	
Référence	3 601 A7C 5..	
Puissance absorbée nominale	W	900
Puissance débitée maxi	W	455
Régime à vide		
- 1re vitesse	tr/min	0-1 000
- 2e vitesse	tr/min	0-3000
Régime nominal		
- 1re vitesse	tr/min	770
- 2e vitesse	tr/min	1990
Fréquence de frappe à vide	min ⁻¹	51 000
Couple nominal		
- 1re vitesse	Nm	5,7
- 2e vitesse	Nm	2,2
Présélection de vitesse de rotation	●	
Réversibilité droite/gauche	●	
Mandrin à clé	-	
Mandrin automatique	●	
Blocage automatique de broche (Auto-Lock)	●	
Collet de broche	mm	43
Ø de perçage maxi (1re/2e vitesse)		
- Béton	mm	18/13
- Maçonnerie	mm	20/15
- Acier	mm	13/8
- Bois	mm	40/25
Plage de serrage du mandrin	mm	1,5-13
Capacité d'aspiration	l/min	460
Capacité du bac récupérateur de poussières (pour les perçages horizontaux)		
- Trous 6 x 30 mm	Nombre	130
- Trous 8 x 30 mm	Nombre	75
- Trous 10 x 30 mm	Nombre	45

Perceuse à percussion		GSB 19-2 REA
Poids selon EPTA-Procédure 01:2014		
– avec dispositif d'aspiration	kg	3,2
– sans dispositif d'aspiration	kg	2,6
Indice de protection		□ / II

Les données indiquées sont valables pour une tension nominale [U] de 230 V. Elles peuvent varier lorsque la tension diffère de cette valeur et sur certaines versions destinées à certains pays.

Niveau sonore et vibrations

Valeurs d'émissions sonores déterminées selon
EN 62841-2-1.

Le niveau sonore en dB(A) typique de l'outil électroportatif est de : niveau de pression acoustique **95** dB(A) ; niveau de puissance acoustique **106** dB(A). Incertitude K = **5** dB.

Portez un casque antibruit !

Valeurs globales de vibration a_h (somme vectorielle sur les trois axes) et incertitude K conformément à **EN 62841-2-1.**

Perçage dans le métal : $a_h = 3,0$ m/s², K = **1,5** m/s².

Perçage avec percussion dans le béton : $a_h = 15$ m/s², K = **2,0** m/s².

Vissage : $a_h < 2,5$ m/s², K = **1,5** m/s².

Taraudage : $a_h < 2,5$ m/s², K = **1,5** m/s².

Le niveau de vibration et la valeur d'émission sonore indiqués dans cette notice d'utilisation ont été mesurés conformément à la norme et peuvent être utilisés pour une comparaison entre les outils électroportatifs. Ils peuvent aussi servir de base à une estimation préliminaire du taux de vibration et du niveau sonore.

Le niveau de vibration et la valeur d'émission sonore indiqués s'appliquent pour les utilisations principales de l'outil électroportatif. Si l'outil électroportatif est utilisé pour d'autres applications, avec d'autres accessoires de travail ou sans avoir fait l'objet d'un entretien régulier, le niveau de vibration et la valeur d'émission sonore peuvent différer. Il peut en résulter des vibrations et un niveau sonore nettement plus élevés pendant toute la durée de travail.

Pour une estimation précise du niveau de vibration et du niveau sonore, il faut aussi prendre en considération les périodes pendant lesquelles l'outil est éteint ou bien en marche sans être vraiment en action. Il peut en résulter au final un niveau de vibration et un niveau sonore nettement plus faibles pendant toute la durée de travail.

Prévoyez des mesures de protection supplémentaires permettant de protéger l'utilisateur de l'effet des vibrations, par exemple : maintenance de l'outil électroportatif et des accessoires de travail, maintien des mains au chaud, organisation des procédures de travail.

Montage

► **Débranchez le câble d'alimentation de la prise avant d'effectuer des travaux quels qu'il soient sur l'outil électroportatif.**

Poignée supplémentaire

► **N'utilisez l'outil électroportatif qu'avec la poignée supplémentaire (10).**

La poignée supplémentaire (10) peut être réglée dans 12 positions différentes, pour obtenir une position de travail sûre et peu fatigante.

Tournez la partie inférieure de la poignée supplémentaire (10) dans le sens de rotation ① et poussez la poignée supplémentaire (10) jusqu'à ce que vous puissiez la déplacer dans la position désirée. Puis, retirez la poignée supplémentaire (10) et resserrez la partie inférieure de la poignée dans le sens de rotation ②.

Réglage de la profondeur de perçage (voir fig. A)

La butée de profondeur (27) permet de régler la profondeur de perçage X désirée.

Tournez la zone de préhension inférieure de la poignée supplémentaire (10) dans le sens antihoraire et insérez la butée de profondeur (17).

Tirez la butée de profondeur jusqu'à ce que l'écart entre la pointe du foret et la pointe de la butée de profondeur correspond à la profondeur de perçage souhaitée X.

Resserrez ensuite la poignée supplémentaire (10) en la tournant dans le sens horaire.

La cannelure de la butée de profondeur (17) doit être orientée vers le haut.

Changement d'accessoire

► **Portez des gants de protection lors d'un changement d'accessoire.** En cas de travaux assez longs, le mandrin de perçage risque de s'échauffer fortement.

Mandrin automatique (voir fig. B)

Lorsque l'interrupteur Marche/Arrêt (7) n'est pas actionné, la broche de perçage est bloquée. Cela permet de changer facilement et rapidement l'accessoire de travail qui se trouve dans le mandrin.

Ouvrez le mandrin automatique (1) en le tournant dans le sens ① jusqu'à ce que l'accessoire puisse être inséré. Insérez l'accessoire de travail.

Tournez fermement la douille du mandrin automatique (1) dans le sens ② jusqu'à ce qu'il n'y ait plus de déclic perceptible. Le mandrin se verrouille alors automatiquement.

Le mandrin se déverrouille lorsque la douille est tournée en sens inverse afin d'enlever l'accessoire.

Mandrin à clé (voir figure C)

Ouvrez le mandrin à clé (21) en le tournant jusqu'à pouvoir insérer l'accessoire de travail. Insérez l'accessoire de travail. Introduisez la clé de mandrin (20) successivement dans tous les orifices du mandrin à clé (21) et serrez l'accessoire de manière uniforme.

Accessoires de vissage

Lors de utilisation d'embouts de vissage **(18)** vous devez toujours utiliser un porte-embout universel **(19)**. Choisissez l'embout de vissage qui correspond exactement à l'empreinte de la tête de vis.

Pour visser, mettez toujours le sélecteur « Perçage/Perçage à percussion » **(3)** sur le symbole « Perçage ».

Changement du mandrin de perçage


► **Débranchez le câble d'alimentation de la prise avant d'effectuer des travaux quels qu'il soient sur l'outil électroportatif.**

Retrait du mandrin (voir figure D)

Démontez la poignée supplémentaire et placez le sélecteur de vitesse **(2)** en position médiane entre la 1re et la 2e vitesse.

Introduisez une tige en acier de Ø 4 mm et d'env. 50 mm de longueur dans l'alésage du collet de broche pour bloquer la broche.

Insérez le côté court d'une clé mâle pour vis à six pans creux **(22)** dans le mandrin automatique **(1)**.

Posez l'outil électroportatif sur un support stable, par ex. un établi. Maintenez l'outil électroportatif et desserrez le mandrin automatique **(1)** en tournant la clé mâle pour vis à six pans creux **(22)** dans le sens de rotation . Si le mandrin automatique est grippé, donnez un petit coup sur la branche longue de la clé mâle pour vis à six pans creux **(22)** pour le débloquer. Retirez la clé mâle pour vis à six pans creux du mandrin automatique et dévissez complètement le mandrin.

Pour les outils électroportatifs avec mandrin à clé, le démontage s'effectue conformément à la description ci-dessus.

Dans les outils électroportatifs munis d'un mandrin automatique, il est possible d'utiliser pour le retrait du mandrin une clé plate (19 mm) à la place de la clé mâle pour vis à six pans creux **(22)**.

Montage du mandrin (voir figure E)

Le montage du mandrin automatique/mandrin à clé s'effectue dans l'ordre inverse.



Le mandrin doit être serré avec un couple de serrage d'environ 50-55 Nm.

► **Une fois le montage effectué, retirez la tige en acier de l'alésage.**

Dispositif d'aspiration/bac récupérateur de poussières

Les poussières de matériaux tels que peintures contenant du plomb, certains bois, minéraux ou métaux, peuvent être nuisibles à la santé. Le contact avec les poussières ou leur inhalation peut entraîner des réactions allergiques et/ou des maladies respiratoires auprès de l'utilisateur ou des personnes se trouvant à proximité.

Certaines poussières telles que les poussières de chêne ou de hêtre sont considérées comme cancérigènes, surtout en association avec des additifs pour le traitement du bois

(chromate, lasure). Les matériaux contenant de l'amiante ne doivent être travaillés que par des personnes qualifiées.

- Si possible, utilisez un dispositif d'aspiration des poussières approprié au matériau.
- Veillez à bien aérer la zone de travail.
- Il est recommandé de porter un masque respiratoire avec un niveau de filtration de classe P2.

Respectez les règlements spécifiques aux matériaux à traiter en vigueur dans votre pays.

► **N'utilisez le dispositif d'aspiration que lors des perçages dans du béton, de la brique ou de la maçonnerie.** Les copeaux de bois ou de plastique créent rapidement des bourrages.

► **Attention risque d'incendie ! N'utilisez pas le dispositif d'aspiration pour effectuer des perçages dans du métal.** Les copeaux métalliques chauds risquent d'enflammer certaines pièces du bac récupérateur de poussières.

► **Évitez toute accumulation de poussières sur le lieu de travail.** Les poussières peuvent facilement s'enflammer.

Remarque : N'utilisez pas le dispositif d'aspiration **(12)** lors de vissages ou lors de la réalisation de taraudages.

Le dispositif d'aspiration **(12)** fait ressort lors des perçages et fait en sorte que l'anneau-collecteur de poussières soit toujours maintenu au ras de la surface. Le dispositif d'aspiration est automatiquement mis en marche/éteint avec l'outil électroportatif.

Pour obtenir la meilleure aspiration possible, respectez les indications suivantes :

- L'accessoire de travail utilisé ne doit pas dépasser de l'anneau-collecteur de poussières **(15)**.
- Veillez à ce que le dispositif d'aspiration appuie fermement contre la pièce à percer ou le mur. Il est alors plus facile de percer perpendiculairement au mur ou à la pièce.
- Lors de l'utilisation du dispositif d'aspiration, travaillez toujours au régime maximal.
- Après avoir atteint la profondeur de perçage souhaitée, retirez le foret du trou percé avant d'arrêter la perceuse à percussion.
- Contrôlez régulièrement l'état de l'élément filtrant **(24)**. Remplacez sans tarder l'élément filtrant s'il est endommagé.

Retrait/mise en place du dispositif d'aspiration (voir figure F)

Pour retirer le dispositif d'aspiration, appuyez sur le bouton de déverrouillage **(8)** et tirez le dispositif d'aspiration vers l'avant.

Si nécessaire, faites basculer la poignée supplémentaire **(10)** de côté.

Pour mettre en place le dispositif d'aspiration **(12)**, glissez-le avec les rainures de guidage **(23)** dans la fixation de l'outil électroportatif jusqu'à ce qu'il s'enclenche de façon audible.

Aspiration des poussières avec boîtier microfiltre (voir figure G)

Le niveau de remplissage du bac récupérateur de poussières (9) peut être facilement contrôlé à travers le clapet transparent (26).

Videz le bac récupérateur de poussières régulièrement pour que la puissance d'aspiration reste constante.

Pour retirer le bac récupérateur de poussières (9), appuyez sur les deux boutons de déverrouillage (25) et tirez le bac récupérateur vers le bas pour le dégager du dispositif d'aspiration (12).

Avant d'ouvrir le bac récupérateur de poussières (9), tapez-le légèrement contre une surface solide afin de détacher les poussières collées au filtre (24).

Ouvrez le clapet transparent (26) se trouvant au-dessous et videz le bac récupérateur de poussières.

Vérifiez l'état de l'élément filtrant (24). Remplacez-le s'il est endommagé.

Refermez le clapet (26) et insérez par le bas le bac récupérateur de poussières dans le dispositif d'aspiration 13 jusqu'à ce qu'il s'enclenche de façon audible.

Remplacement de l'élément filtrant (voir figure H)

Afin de conserver une puissance d'aspiration constante, remplacez l'élément filtrant (24) du bac récupérateur de poussières (9) à peu près toutes les 15 heures d'utilisation.

Pour retirer le bac récupérateur de poussières (9), appuyez sur les deux boutons de déverrouillage (25) et tirez le bac récupérateur vers le bas pour le dégager du dispositif d'aspiration (12).

Retirez l'élément filtrant (24) par le haut et montez un nouvel élément filtrant.

Insérez par le bas le bac récupérateur de poussières dans le dispositif d'aspiration (12) jusqu'à ce qu'il s'enclenche de façon audible.

Remarque : Remplacez l'élément filtrant (24) s'il présente des dommages (par ex. perforations, endommagement du matériau d'étanchéité souple). L'outil électroportatif risque d'être détérioré s'il est utilisé avec un élément filtrant endommagé. Remplacez également l'élément filtrant (24) si la puissance d'aspiration reste insuffisante même après avoir vidé le bac récupérateur de poussières (9).

Réglage de la profondeur de perçage (voir figure I)

La butée de profondeur (27) permet de régler la profondeur de perçage X désirée.

Introduisez un foret dans le mandrin et serrez-le, voir la section « Changement d'accessoire ». Appliquez l'outil électroportatif, sans le mettre en marche, contre la surface à percer, de façon à ce que le foret touche la surface.

Appuyez sur le bouton de réglage de butée de profondeur (14) et déplacez la butée de profondeur (27) de façon à ce que la distance X indiquée dans la figure corresponde à la profondeur de perçage souhaitée.

Ajustement du dispositif d'aspiration en fonction de la longueur de l'accessoire de travail (voir figure J)

Pour un travail plus agréable avec des accessoires de travail courts, il est possible d'ajuster la longueur du dispositif d'aspiration (12).

Appuyez pour cela sur le bouton (11) et enfoncez le guide télescopique (13) dans le dispositif d'aspiration (12) jusqu'à ce que l'anneau-collecteur de poussières se trouve près de la pointe de l'accessoire de travail.

Pour refaire sortir le guide télescopique, appuyez à nouveau sur le bouton (11).

Anneau-collecteur de poussières pour forets (voir figure K)

L'anneau-collecteur de poussières pour forets (15) peut être doté de deux tailles de bagues en caoutchouc (28) différentes. Pour les perçages d'un diamètre jusqu'à 12 mm, utilisez la bague en caoutchouc K1 avec la petite ouverture ; pour les perçages plus grands, utilisez la bague en caoutchouc K2 avec la grande ouverture.

Pour retirer la bague en caoutchouc (28), pressez-la vers l'arrière ; elle s'extrait d'elle-même de l'anneau-collecteur de poussières (15). Pour mettre en place la rondelle en caoutchouc, positionnez-la contre l'anneau-collecteur de poussières et appuyez fermement dessus.

Pour retirer l'anneau-collecteur de poussières (15), appuyez sur le bouton de déverrouillage (29) et chassez l'anneau-collecteur de poussières du dispositif d'aspiration.

Pour remettre en place l'anneau-collecteur de poussières (15), enfoncez-le par le haut dans le dispositif d'aspiration (12) jusqu'à ce qu'il s'enclenche de façon perceptible.

Mise en marche

Mise en marche

- **Tenez compte de la tension du réseau ! La tension de la source de courant doit correspondre aux indications se trouvant sur la plaque signalétique de l'outil électroportatif. Les outils électroportatifs marqués 230 V peuvent également fonctionner sur 220 V.**

Sélection du sens de rotation (voir figure L - M)

- **N'actionnez le sélecteur de sens de rotation (4) que quand l'outil électroportatif est à l'arrêt.**

Le sélecteur de sens de rotation (4) permet d'inverser le sens de rotation de l'outil électroportatif. Cela n'est toutefois pas possible lorsqu'on appuie sur l'interrupteur Marche/Arrêt (7).

Rotation droite : Pour percer et serrer des vis, poussez simultanément le sélecteur de sens de rotation (4) de gauche vers le bas et celui de droite vers le haut.

Rotation gauche : Pour desserrer ou dévisser des vis et des écrous, poussez simultanément le sélecteur de sens de rotation (4) de gauche vers le haut et celui de droite vers le bas.

Sélection du mode de fonctionnement



Vissage et perçage

Positionnez le commutateur **(3)** sur le symbole « Perçage ».



Perçage à percussion

Positionnez le commutateur **(3)** sur le symbole « Perçage à percussion ».

Le commutateur **(3)** s'encliquette de façon perceptible et peut être actionné même pendant que le moteur est en marche.

Sélection mécanique de la vitesse

- **Il est possible d'actionner le sélecteur de vitesse (2) pendant que l'outil électroportatif tourne lentement. Ne changez pas de vitesse à l'arrêt, en pleine charge ou à la vitesse maximale.**

Le sélecteur de vitesse **(2)** permet de présélectionner 2 plages de vitesse de rotation.



Vitesse I :

- 1 Plage de basses vitesses ; pour diamètres de perçage importants ou pour les vissages.



Vitesse II :

- 1 Plage de hautes vitesses ; pour les petits diamètres de perçage.

Au cas où le sélecteur de vitesse **(2)** ne se laisserait pas tourner à fond, tournez légèrement la broche d'entraînement munie du foret.

Mise en marche/arrêt

Pour **mettre en marche** l'outil électroportatif, actionnez l'interrupteur Marche/Arrêt **(7)** et maintenez-le actionné.

Pour **bloquer** l'interrupteur marche/arrêt **(7)**, appuyez en même temps sur la touche de blocage **(5)**.

Pour **arrêter** l'outil électroportatif, relâchez l'interrupteur marche/arrêt **(7)** et, s'il est bloqué avec le bouton de blocage **(5)**, appuyez brièvement sur l'interrupteur marche/arrêt **(7)** puis relâchez-le.

Débrayage de sécurité



Afin de limiter les effets de retour de couple, l'outil électroportatif est équipé d'un débrayage de sécurité (anti-rotation).

- **Dès que l'accessoire de travail se coince ou qu'il s'accroche, l'entraînement de la broche est interrompu. En raison des forces intervenant, tenez toujours l'outil électroportatif fermement avec les deux mains et ayez une position ferme.**
- **Si l'outil électroportatif est bloqué, éteignez-le et desserrez l'outil de travail. Lorsqu'on met l'appareil en marche, l'outil de travail étant bloqué, il peut y avoir de fortes réactions.**

Réglage de la vitesse de rotation/de la fréquence de frappe

Vous pouvez faire varier en continu la vitesse de rotation/la fréquence de frappe de l'outil électroportatif en jouant sur la pression exercée sur l'interrupteur Marche/Arrêt **(7)**.

Légère pression sur l'interrupteur Marche/Arrêt **(7)** = faible vitesse de rotation/fréquence de frappe. Plus la pression augmente, plus la vitesse de rotation/la fréquence de frappe est élevée.

Préréglage de la vitesse de rotation/de la fréquence de frappe

La molette de présélection de vitesse **(6)** permet de présélectionner la vitesse/le fréquence de frappe requise, aussi en cours d'utilisation de l'outil.

La vitesse de rotation/la fréquence de frappe requise dépend du type de matériau et des conditions de travail. Elle doit être déterminée lors d'essais pratiques.

Instructions d'utilisation

- **Débranchez le câble d'alimentation de la prise avant d'effectuer des travaux quels qu'il soient sur l'outil électroportatif.**
- **Positionnez l'outil électroportatif sur la vis/sur l'écrou seulement lorsqu'il est à l'arrêt.** Un accessoire en rotation risque de glisser.

Après avoir travaillé à une petite vitesse pendant une période relativement longue, faites tourner l'outil électroportatif à vide au régime maximal pendant une durée de 3 minutes environ afin de le laisser refroidir.

Pour percer dans du carrelage/de la faïence, positionnez le sélecteur **(3)** sur le symbole « Perçage ». Une fois le carreau percé, positionnez le sélecteur sur le symbole « Perçage à percussion » et travaillez avec la percussion.

Pour les travaux de perçage dans le béton, la pierre et la maçonnerie, utilisez des forets au carbure.

Lorsque vous percez du métal, n'utilisez que des forets HSS (HSS=acier à coupe rapide haute performance) sans défauts et affûtés. La gamme d'accessoires **Bosch** vous assure la qualité nécessaire.

L'affûteur de forets (accessoire) permet d'affûter facilement les forets hélicoïdaux d'un diamètre de 2,5–10 mm.

Entretien et Service après-vente

Nettoyage et entretien

- **Débranchez le câble d'alimentation de la prise avant d'effectuer des travaux quels qu'il soient sur l'outil électroportatif.**
- **Tenez toujours propres l'outil électroportatif ainsi que les fentes de ventilation afin d'obtenir un travail impeccable et sûr.**

Dans le cas où il s'avère nécessaire de remplacer le câble d'alimentation, confiez le remplacement à **Bosch** ou une station de Service Après-Vente agréée pour outillage **Bosch** afin de ne pas compromettre la sécurité.

Service après-vente et conseil utilisateurs

Notre Service après-vente répond à vos questions concernant la réparation et l'entretien de votre produit et les pièces de rechange. Vous trouverez des vues éclatées et des infor-

mations sur les pièces de rechange sur le site : www.bosch-pt.com

L'équipe de conseil utilisateurs Bosch se tient à votre disposition pour répondre à vos questions concernant nos produits et leurs accessoires.

Pour toute demande de renseignement ou toute commande de pièces de rechange, précisez impérativement la référence à 10 chiffres figurant sur l'étiquette signalétique du produit.

France

Réparer un outil Bosch n'a jamais été aussi simple, et ce, en moins de 5 jours, grâce à SAV DIRECT, notre formulaire de retour en ligne que vous trouverez sur notre site internet www.bosch-pt.fr à la rubrique Services. Vous y trouverez également notre boutique de pièces détachées en ligne où vous pouvez passer directement vos commandes.

Vous êtes un utilisateur, contactez : Le Service Clientèle Bosch Outillage Electroportatif
Tel. : 0811 360122 (coût d'une communication locale)
E-Mail : sav.outillage-electroportatif@fr.bosch.com

Vous êtes un revendeur, contactez :
Robert Bosch (France) S.A.S.
Service Après-Vente Electroportatif
126, rue de Stalingrad
93705 DRANCY Cédex
Tel. : (01) 43119006
E-Mail : sav-bosch.outillage@fr.bosch.com

Belgique, Luxembourg

Tel. : +32 2 588 0589
Fax : +32 2 588 0595
E-Mail : outillage.gereedschap@be.bosch.com

Suisse

Passez votre commande de pièces détachées directement en ligne sur notre site www.bosch-pt.com/ch/fr.
Tel. : (044) 8471512
Fax : (044) 8471552
E-Mail : Aftersales.Service@de.bosch.com

Élimination des déchets

Les outils électroportatifs, ainsi que leurs accessoires et emballages, doivent pouvoir suivre chacun une voie de recyclage appropriée.



Ne jetez pas les outils électroportatifs avec les ordures ménagères !

Seulement pour les pays de l'UE :

Conformément à la directive européenne 2012/19/UE relative aux déchets d'équipements électriques et électroniques et sa mise en vigueur conformément aux législations nationales, les outils électroportatifs dont on ne peut plus se servir doivent être isolés et suivre une voie de recyclage appropriée.



Português

Instruções de segurança

Instruções gerais de segurança para ferramentas eléctricas

AVISO

Devem ser lidas todas as indicações de segurança,

instruções, ilustrações e especificações desta ferramenta eléctrica. O desrespeito das instruções apresentadas abaixo poderá resultar em choque eléctrico, incêndio e/ou ferimentos graves.

Guarde bem todas as advertências e instruções para futura referência.

O termo "ferramenta eléctrica" utilizado a seguir nas indicações de advertência, refere-se a ferramentas eléctricas operadas com corrente de rede (com cabo de rede) e a ferramentas eléctricas operadas com acumulador (sem cabo de rede).

Segurança da área de trabalho

- ▶ **Mantenha a sua área de trabalho sempre limpa e bem iluminada.** Desordem ou áreas de trabalho insuficientemente iluminadas podem levar a acidentes.
- ▶ **Não trabalhar com a ferramenta eléctrica em áreas com risco de explosão, nas quais se encontrem líquidos, gases ou pós inflamáveis.** Ferramentas eléctricas produzem faíscas, que podem inflamar pós ou vapores.
- ▶ **Manter crianças e outras pessoas afastadas da ferramenta eléctrica durante a utilização.** No caso de distração é possível que perca o controlo sobre o aparelho.

Segurança eléctrica

- ▶ **A ficha de conexão da ferramenta eléctrica deve caber na tomada. A ficha não deve ser modificada de maneira alguma. Não utilizar uma ficha de adaptação junto com ferramentas eléctricas protegidas por ligação à terra.** Fichas não modificadas e tomadas apropriadas reduzem o risco de um choque eléctrico.
- ▶ **Evitar que o corpo possa entrar em contacto com superfícies ligadas à terra, como tubos, aquecimentos, fogões e frigoríficos.** Há um risco elevado devido a choque eléctrico, se o corpo estiver ligado à terra.
- ▶ **Manter o aparelho afastado de chuva ou humidade.** A infiltração de água numa ferramenta eléctrica aumenta o risco de choque eléctrico.
- ▶ **Não deverá utilizar o cabo para outras finalidades. Nunca utilizar o cabo para transportar a ferramenta eléctrica, para pendurá-la, nem para puxar a ficha da tomada. Manter o cabo afastado do calor, do óleo, de arestas afiadas ou de peças em movimento.** Cabos danificados ou emaranhados aumentam o risco de um choque eléctrico.

- ▶ **Se trabalhar com uma ferramenta eléctrica ao ar livre, só deverá utilizar cabos de extensão apropriados para áreas exteriores.** A utilização de um cabo de extensão apropriado para áreas exteriores reduz o risco de um choque eléctrico.
- ▶ **Se não for possível evitar o funcionamento da ferramenta eléctrica em áreas húmidas, deverá ser utilizado um disjuntor de corrente de avaria.** A utilização de um disjuntor de corrente de avaria reduz o risco de um choque eléctrico.

Segurança de pessoas

- ▶ **Esteja atento, observe o que está a fazer e tenha prudência ao trabalhar com a ferramenta eléctrica. Não utilizar uma ferramenta eléctrica quando estiver fatigado ou sob a influência de drogas, álcool ou medicamentos.** Um momento de descuido ao utilizar a ferramenta eléctrica, pode levar a lesões graves.
- ▶ **Utilizar equipamento de protecção individual. Utilizar sempre óculos de protecção.** A utilização de equipamento de protecção pessoal, como máscara de protecção contra pó, sapatos de segurança antiderrapantes, capacete de segurança ou protecção auricular, de acordo com o tipo e aplicação da ferramenta eléctrica, reduz o risco de lesões.
- ▶ **Evitar uma colocação em funcionamento involuntária. Assegure-se de que a ferramenta eléctrica esteja desligada, antes de conectá-la à alimentação de rede e/ou ao acumulador, antes de levantá-la ou de transportá-la.** Se tiver o dedo no interruptor ao transportar a ferramenta eléctrica ou se o aparelho for conectado à alimentação de rede enquanto estiver ligado, poderão ocorrer acidentes.
- ▶ **Remover ferramentas de ajuste ou chaves de boca antes de ligar a ferramenta eléctrica.** Uma ferramenta ou chave que se encontre numa parte do aparelho em movimento pode levar a lesões.
- ▶ **Evite uma posição anormal. Mantenha uma posição firme e mantenha sempre o equilíbrio.** Desta forma é mais fácil controlar a ferramenta eléctrica em situações inesperadas.
- ▶ **Usar roupa apropriada. Não usar roupa larga nem jóias. Mantenha os cabelos e roupas afastados de peças em movimento.** Roupas frouxas, cabelos longos ou jóias podem ser agarrados por peças em movimento.
- ▶ **Se for possível montar dispositivos de aspiração ou de recolha, assegure-se de que estejam conectados e utilizados correctamente.** A utilização de uma aspiração de pó pode reduzir o perigo devido ao pó.
- ▶ **Não deixe que a familiaridade resultante de uma utilização frequente de ferramentas permita que você se torne complacente e ignore os princípios de segurança da ferramenta.** Uma acção descuidada pode causar ferimentos graves numa fracção de segundo.

Utilização e manuseio cuidadoso de ferramentas eléctricas

- ▶ **Não sobrecarregue a ferramenta eléctrica. Utilize a ferramenta eléctrica apropriada para o seu trabalho.** É melhor e mais seguro trabalhar com a ferramenta eléctrica apropriada na área de potência indicada.
- ▶ **Não utilizar uma ferramenta eléctrica com um interruptor defeituoso.** Uma ferramenta eléctrica que não pode mais ser ligada nem desligada, é perigosa e deve ser reparada.
- ▶ **Puxar a ficha da tomada e/ou remover o acumulador, se amovível, antes de executar ajustes na ferramenta eléctrica, de substituir acessórios ou de guardar as ferramentas eléctricas.** Esta medida de segurança evita o arranque involuntário da ferramenta eléctrica.
- ▶ **Guardar ferramentas eléctricas não utilizadas fora do alcance de crianças e não permitir que as pessoas que não estejam familiarizadas com o aparelho ou que não tenham lido estas instruções utilizem o aparelho.** Ferramentas eléctricas são perigosas se forem utilizadas por pessoas inexperientes.
- ▶ **Tratar a ferramenta eléctrica e os acessórios com cuidado. Controlar se as partes móveis do aparelho funcionam perfeitamente e não emperram, e se há peças quebradas ou danificadas que possam prejudicar o funcionamento da ferramenta eléctrica. Permitir que peças danificadas sejam reparadas antes da utilização.** Muitos acidentes têm como causa, a manutenção insuficiente de ferramentas eléctricas.
- ▶ **Manter as ferramentas de corte afiadas e limpas.** Ferramentas de corte cuidadosamente tratadas e com cantos de corte afiados emperram com menos frequência e podem ser conduzidas com maior facilidade.
- ▶ **Utilizar a ferramenta eléctrica, acessórios, ferramentas de aplicação, etc. conforme estas instruções. Considerar as condições de trabalho e a tarefa a ser executada.** A utilização de ferramentas eléctricas para outras tarefas a não ser as aplicações previstas, pode levar a situações perigosas.
- ▶ **Mantenha os punhos e as superfícies de agarrar secas, limpas e livres de óleo e massa consistente.** Punhos e superfícies de agarrar escorregadias não permitem o manuseio e controle seguros da ferramenta em situações inesperadas.

Serviço

- ▶ **Só permita que o seu aparelho seja reparado por pessoal especializado e qualificado e só com peças de reposição originais.** Desta forma é assegurado o funcionamento seguro do aparelho.

Indicações de segurança para berbequins

Instruções de segurança para todas as operações

- ▶ **Use protetores auditivos ao perfurar com impacto.** A exposição ao ruído pode provocar a perda da audição.
- ▶ **Use o(s) punho(s) auxiliar(es).** A perda de controlo pode resultar em ferimentos pessoais.

- ▶ **Segure a ferramenta elétrica nas superfícies de agarrar isoladas, ao executar uma operação onde o acessório de corte ou os elementos de fixação possam entrar em contacto com cabos escondidos ou com próprio cabo.** Se o acessório de corte ou os elementos de fixação entrarem em contacto com um cabo "sob tensão", as partes metálicas expostas da ferramenta elétrica ficam "sob tensão" e podem produzir um choque elétrico.

Instruções de segurança ao usar brocas longas

- ▶ **Nunca opere a uma velocidade maior do que a velocidade máxima da broca.** A velocidades mais altas, a broca pode dobrar-se ao rodar livremente sem entrar em contacto com a peça de trabalho, causando ferimento pessoal.
- ▶ **Comece sempre a perfurar a baixa velocidade e com a ponta da broca em contato com a peça de trabalho.** A velocidades mais altas, a broca pode dobrar-se ao rodar livremente sem entrar em contato com a peça de trabalho, causando ferimento pessoal.
- ▶ **Aplique pressão apenas em linha direta com a broca e não aplique pressão excessiva.** As brocas podem dobrar-se, causando rutura ou perda de controlo, ou mesmo ferimento pessoal.

Instruções de segurança adicionais

- ▶ **Desligue a ferramenta de imediato se a ferramenta de trabalho encravar. Esteja atento aos binários de reação que podem dar origem a contragolpes.** O acessório acoplável fica encravado se a ferramenta elétrica for sobrecarregada ou se ficar emperrada na peça a ser trabalhada.
- ▶ **Segure bem a ferramenta elétrica.** Ao apertar e soltar parafusos podem ocorrer temporariamente elevados momentos de reação.
- ▶ **Fixar a peça a ser trabalhada.** Uma peça a ser trabalhada fixa com dispositivos de aperto ou com torno de bancada está mais firme do que segurada com a mão.
- ▶ **Utilizar detetores apropriados, para encontrar cabos escondidos, ou consulte a companhia elétrica local.** O contacto com cabos elétricos pode provocar fogo e choques elétricos. Danos em tubos de gás podem levar à explosão. A penetração num cano de água causa danos materiais ou pode provocar um choque elétrico.
- ▶ **Esperre que a ferramenta elétrica pare completamente, antes de depositá-la.** A ferramenta de aplicação pode emperrar e levar à perda de controlo sobre a ferramenta elétrica.

Descrição do produto e do serviço



Leia todas as instruções de segurança e instruções. A inobservância das instruções de segurança e das instruções pode causar choque elétrico, incêndio e/ou ferimentos graves.

Respeite as figuras na parte da frente do manual de instruções.

Utilização adequada

A ferramenta elétrica é destinada para furar com percussão em tijolos, betão e pedra, assim como furar em madeira, metal, cerâmica e plástico. As ferramentas com regulação eletrónica e rotação à direita/esquerda também são apropriadas para aparafusar e abrir roscas.

Componentes ilustrados

A numeração dos componentes ilustrados refere-se à apresentação da ferramenta elétrica na página de esquemas.

- (1) Bucha de aperto rápido
- (2) Seletor de velocidade
- (3) Comutador "Furar/furar com percussão"
- (4) Comutador do sentido de rotação
- (5) Tecla de fixação para o interruptor de ligar/desligar
- (6) Roda da pré-seleção da velocidade de rotação
- (7) Interruptor de ligar/desligar
- (8) Tecla de desbloqueio do dispositivo de aspiração de pó
- (9) Caixa de pó completa (Microfilter System)
- (10) Punho adicional (superfície do punho isolada)^{A)}
- (11) Tecla para o ajuste do guia telescópico
- (12) Dispositivo de aspiração de pó
- (13) Guia telescópico
- (14) Tecla para ajuste do batente de profundidade
- (15) Anel coletor do pó para broca
- (16) Punho (superfície do punho isolada)
- (17) Batente de profundidade^{A)}
- (18) Bit de aparafusamento^{A)}
- (19) Porta-bits universal^{A)}
- (20) Chave de buchas^{A)}
- (21) Bucha de coroa dentada^{A)}
- (22) Chave sextavada interior^{B)}
- (23) Ranhura de guia do dispositivo da aspiração de pó
- (24) Elemento do filtro (Microfilter System)
- (25) Tecla de desbloqueio da caixa de pó
- (26) Tampa da caixa de pó
- (27) Batente de profundidade (dispositivo de aspiração de pó)^{A)}
- (28) Anel de borracha para anel coletor do pó
- (29) Botão de desbloqueio do anel coletor do pó

A) **Acessórios apresentados ou descritos não pertencem ao volume de fornecimento padrão. Todos os acessórios encontram-se no nosso programa de acessórios.**

B) **convencional (não faz parte do material a fornecer)**

Dados técnicos

Berbequim de percussão		GSB 19-2 REA
Número de produto		3 601 A7C 5..
Potência nominal absorvida	W	900
máx. potência de saída	W	455
N.º de rotações em vazio		
– 1.ª velocidade	r.p.m.	0–1 000
– 2.ª velocidade	r.p.m.	0–3 000
Número de rotações nominal		
– 1.ª velocidade	r.p.m.	770
– 2.ª velocidade	r.p.m.	1 990
Número de percussões na marcha em vazio	min ⁻¹	51 000
Binário nominal		
– 1.ª velocidade	Nm	5,7
– 2.ª velocidade	Nm	2,2
Pré-seleção do número de rotação		●
Rotação à direita/esquerda		●
Bucha de coroa dentada		–
Bucha de aperto rápido		●
Bloqueio automático do veio (Auto-Lock)		●
Diâmetro da gola do veio	mm	43
Ø máx. de perfuração (1.ª/2.ª velocidade)		
– Betão	mm	18/13
– Muramentos	mm	20/15
– Aço	mm	13/8
– Madeira	mm	40/25
Faixa de aperto da bucha	mm	1,5–13
Potência de aspiração	l/min	460
Capacidade da caixa de pó (ao furar na horizontal)		
– Furos 6 x 30 mm	Unidade	130
– Furos 8 x 30 mm	Unidade	75
– Furos 10 x 30 mm	Unidade	45
Peso conforme EPTA-Procedure 01:2014		
– com dispositivo de aspiração	kg	3,2
– sem dispositivo de aspiração	kg	2,6
Classe de proteção		□/II

Os dados aplicam-se a uma tensão nominal [U] de 230 V. Com tensões divergentes e em versões específicas do país, estes dados podem variar.

Informação sobre ruídos/vibrações

Os valores de emissão de ruído foram determinados de acordo com **EN 62841-2-1**.

O nível sonoro avaliado como A da ferramenta elétrica é normalmente de: nível de pressão sonora **95 dB(A)**; nível de potência sonora **106 dB(A)**. Incerteza K = **5 dB**.

Utilizar proteção auditiva!

Valores totais de vibração a_h (soma dos vetores das três direções) e incerteza K determinada segundo **EN 62841-2-1**.

Furar metal: $a_h = 3,0 \text{ m/s}^2$, K = **1,5** m/s^2 .

Furar com percussão em betão: $a_h = 15 \text{ m/s}^2$, K = **2,0** m/s^2 .

Aparafusar: $a_h < 2,5 \text{ m/s}^2$, K = **1,5** m/s^2 .

Abrir roscas: $a_h < 2,5 \text{ m/s}^2$, K = **1,5** m/s^2 .

O nível de vibrações indicado nestas instruções e o valor de emissões sonoras foram medidos de acordo com um processo de medição normalizado e podem ser utilizados para a comparação de ferramentas elétricas. Também são adequados para uma avaliação provisória das emissões sonoras e de vibrações.

O nível de vibrações indicado e o valor de emissões sonoras representam as aplicações principais da ferramenta elétrica. Se a ferramenta elétrica for utilizada para outras aplicações, com outras ferramentas de trabalho ou com manutenção insuficiente, é possível que o nível de vibrações e de emissões sonoras seja diferente. Isto pode aumentar sensivelmente a emissão sonora e de vibrações para o período completo de trabalho.

Para uma estimativa exata da emissão sonora e de vibrações, também deveriam ser considerados os períodos nos quais o aparelho está desligado ou funciona, mas não está sendo utilizado. Isto pode reduzir a emissão sonora e de vibrações durante o completo período de trabalho.

Além disso também deverão ser estipuladas medidas de segurança para proteger o operador contra o efeito de vibrações, como por exemplo: manutenção de ferramentas elétricas e acessórios, manter as mãos quentes e organização dos processos de trabalho.

Montagem

- ▶ **Antes de todos trabalhos na ferramenta elétrica deverá puxar a ficha de rede da tomada.**

Punho adicional

- ▶ **Utilize a ferramenta elétrica apenas com o punho adicional (10).**

Pode deslocar o punho adicional **(10)** em 12 posições para conseguir uma posição de trabalho segura e sem esforço.

Rode a peça de punho inferior do punho adicional **(10)** no sentido de rotação **①** e empurre o punho adicional **(10)** para a frente até o poder oscilar na posição desejada. A seguir, puxe novamente o punho adicional **(10)** para trás e volte a apertar a peça de punho inferior para o sentido de rotação **②**.

Ajustar a profundidade de perfuração (ver figura A)

Com o batente de profundidade (27) é possível definir a profundidade de perfuração desejada X.

Rode a peça de punho inferior do punho adicional (10) para a esquerda e coloque o batente de profundidade (17).

Puxe o batente de profundidade para fora até a distância entre a ponta da broca e a ponta do batente de profundidade corresponder à profundidade de perfuração X desejada.

A seguir, volte a apertar a peça de punho inferior do punho adicional (10) para a direita.

As estrias no batente de profundidade (17) têm de ficar viradas para cima.

Troca de ferramenta

- **Use luvas de proteção ao trocar de ferramenta.** A bucha pode aquecer muito durante trabalhos prolongados.

Bucha de aperto rápido (ver figura B)

Com o interruptor de ligar/desligar não pressionado (7) é fixado o veio de perfuração. Isto possibilita uma troca rápida, confortável e fácil da ferramenta de trabalho no mandril de brocas.

Abra a bucha de aperto rápido (1) rodando no sentido ⚙ até a ferramenta poder ser inserida. Introduzir a ferramenta.

Aperte bem à mão a bucha da bucha de aperto rápido (1) no sentido ⚙, até que deixe de se ouvir o som de aperto. A bucha fica assim automaticamente bloqueada.

O travamento solta-se novamente, logo que girar a bucha no sentido contrário para remover a ferramenta.

Bucha de coroa dentada (ver figura C)

Abra a bucha de coroa dentada (21) rodando até a ferramenta poder ser inserida. Introduzir a ferramenta.

Insira a chave de buchas (20) nos respetivos orifícios da bucha de coroa dentada (21) e aperte a ferramenta uniformemente.

Ferramentas de aparafusamento

Ao utilizar bits de aparafusamento (18) deve utilizar sempre um porta-bits universal (19). Só utilizar bits de aparafusamento apropriados para o cabeçote de aparafusamento.

Para aparafusar, coloque o comutador "Furar/furar com percussão" (3) sempre no símbolo "Furar com percussão".

Trocar a bucha

- **Antes de todos trabalhos na ferramenta elétrica deverá puxar a ficha de rede da tomada.**

Desmontar a bucha (ver figura D)

Desmonte o punho adicional e coloque o comutador de velocidade (2) na posição mista entre a 1.ª e a 2.ª velocidade.

Introduzir um pino de aço, Ø 4 mm com aprox. 50 mm de comprimento, no furo da gola do veio para bloquear o veio de perfuração.

Tensione a chave sextavada interior (22) com bainha curta à frente na bucha de aperto rápido (1).

Coloque a ferramenta elétrica sobre uma base estável, p. ex. uma bancada de trabalho. Segure a ferramenta elétrica e solte a bucha de aperto rápido (1) rodando a chave sextavada interior (22) no sentido ⚙. Uma bucha de aperto rápido emperrada poder ser solta através de um leve batimento na bainha comprida da chave sextavada interior (22). Retire a chave sextavada interior da bucha de aperto rápido e desaperte a bucha de aperto rápido por completo.

Nas ferramentas elétricas com bucha de coroa dentada, a desmontagem decorre da forma análoga acima descrita.

Nas ferramentas elétricas com bucha de aperto rápido, pode ser aplicada em vez da chave sextavada interior (22) uma chave de bocas (tamanho 19 mm) na bucha.

Montar a bucha (ver figura E)

A montagem do mandril de brocas de aperto rápido/do mandril de brocas de coroa dentada é realizada em sequência invertida.



A bucha tem de ser bem apertada com um binário de aperto de aprox. 50–55 Nm.

- **Remover o pino de aço do furo, após terminar a montagem do mandril de brocas.**

Aspiração de pó/dust box

Pós de materiais como por exemplo, tintas que contém chumbo, alguns tipos de madeira, minerais e metais, podem ser nocivos à saúde. O contacto ou a inalação dos pós pode provocar reações alérgicas e/ou doenças nas vias respiratórias do utilizador ou das pessoas que se encontrem por perto.

Certos pós, como por exemplo pó de carvalho e faia são considerados como sendo cancerígenos, especialmente quando juntos com substâncias para o tratamento de madeiras (cromato, produtos de proteção da madeira). Material que contém asbesto só deve ser processado por pessoal especializado.

- Se possível deverá usar um dispositivo de aspiração de pó apropriado para o material.
- Assegurar uma boa ventilação do local de trabalho.
- É recomendável usar uma máscara de proteção respiratória com filtro da classe P2.

Observe as diretivas para os materiais a serem processados, vigentes no seu país.

- **Utilize o dispositivo de aspiração apenas para o processamento de betão, tijolo e pedra.** As aparas de madeira e de plástico podem facilmente provocar entupimentos.
- **Atenção, perigo de incêndio! Não processe materiais metálicos com o dispositivo de aspiração montado.** As aparas de metal quentes podem inflamar peças da dust box.
- **Evite a acumulação de pó no local de trabalho.** Pós podem entrar levemente em ignição.

Nota: não use o dispositivo de aspiração de pó (12) ao aparafusar ou abrir roscas.

Durante o trabalho o dispositivo de aspiração (12) faz pressão para trás para que o anel coletor do pó se mantenha sempre junto à base. O dispositivo de aspiração é ligado e desligado automaticamente com a ferramenta elétrica.

Para obter um resultado de aspiração ideal, deverá observar as seguintes indicações:

- O acessório usado não pode sobressair do anel coletor do pó (15).
- Certifique-se de que o dispositivo de aspiração está à face na peça ou na parede. Dessa forma, também se torna mais fácil furar em angulo reto.
- Ao usar o dispositivo de aspiração trabalhe sempre com o número de rotações máximo.
- Após alcançar a profundidade de perfuração desejada, puxe primeiramente a broca do furo e de seguida desligar o berbequim pneumático.
- Verifique com regularidade o estado do elemento filtrante (24). Em caso de danos no elemento filtrante, substituir de imediato o mesmo.

Remover/colocar a aspiração de pó (ver figura F)

Para remover o aspiração de pó, pressione a tecla de desbloqueio (8) e puxe a aspiração de pó para a frente.

Para tal, se necessário, oscile o punho adicional (10) para o lado.

Para colocar a aspiração de pó (12) deslize a mesma com as ranhuras de guia (23) para o encaixe na ferramenta elétrica, até encaixar de forma audível.

Aspiração integrada com caixa do pó (ver figura G)

O nível de enchimento da caixa do pó (9) é fácil de controlar através da tampa transparente (26).

Esvaziar a tempo a caixa de pó, caso contrário haverá uma redução da potência de aspiração.

Para retirar a caixa do pó (9) pressione ambas as teclas de desbloqueio (25) e puxe a caixa do pó para baixo para fora da aspiração de pó (12).

Antes de abrir a caixa do pó (9) bata ligeiramente a mesma sobre uma base fixa para soltar o pó do elemento filtrante (24).

Abra a tampa (26) na lado de baixo e esvazie a caixa do pó. Verifique o elemento filtrante (24) quanto a danos.

Substituir imediatamente se forem verificados danos.

Feche a tampa (26) e volte a encaixar a caixa do pó por baixo na aspiração de pó 13, até encaixar de forma audível.

Trocar o elemento filtrante (ver figura H)

Para manter a capacidade de filtragem, o elemento filtrante (24) da caixa do pó (9) tem de ser trocada a após aprox. 15 horas de serviço.

Para retirar a caixa do pó (9) pressione ambas as teclas de desbloqueio (25) e puxe a caixa do pó para baixo para fora da aspiração de pó (12).

Retire o elemento filtrante (24) para cima e coloque um novo elemento filtrante.

Volte a inserir a caixa do pó por baixo na aspiração de pó (12), até a mesma encaixar de forma audível.

Nota: substitua o elemento filtrante (24) imediatamente em caso de danos (p. ex. furos, danos do material vedante macio). Ao trabalhar com o elemento filtrante com defeito é possível danificar a ferramenta elétrica. Substitua o elemento filtrante (24) também quando o poder de aspiração é insuficiente, mesmo com a caixa do pó (9) vazia.

Ajustar a profundidade de perfuração (ver figura I)

Com o batente de profundidade (27) é possível definir a profundidade de perfuração desejada X.

Coloque uma broca na bucha e aperte a broca, ver secção Troca de ferramenta. Coloque a ferramenta elétrica sem a ligar na zona a furar, até a broca assentar na zona.

Pressione a tecla para ajuste do batente de profundidade (14) e desloque o batente de profundidade (27) de forma a que a distância X indicada na figura corresponda à profundidade de perfuração desejada.

Adaptar a aspiração de pó ao comprimento da ferramenta (ver figura J)

Para um trabalho confortável com acessórios curtos, é possível adaptar o comprimento da aspiração de pó (12).

Prima a tecla (11) e empurre a guia telescópica (13) com a tecla premeida para dentro da aspiração de pó (12), até o anel coletor do pó se encontrar próximo da ponta do acessório.

Para voltar a extrair a guia telescópica, prima de novo a tecla (11).

Anel coletor do pó para broca (ver figura K)

O anel coletor do pó para broca (15) pode ser equipado com anéis de borracha (28) em dois tamanhos. Para furos até 12 mm de diâmetro use o anel de borracha K1 com abertura pequena, para furos maiores use o anel de borracha K2 com abertura grande.

Para trocar o anel de borracha (28) pressione o mesmo para trás para fora do anel coletor do pó (15). Para colocar o anel de borracha, coloque-o sobre o anel coletor do pó e pressione-o bem.

Para trocar o anel coletor do pó (15) prima o botão de desbloqueio (29) e puxe o anel coletor do pó para fora da aspiração de pó.

Para colocar, pressione o anel coletor do pó (15) por cima na aspiração de pó (12), até o mesmo encaixar de forma audível.

Funcionamento

Colocação em funcionamento

- **Observar a tensão de rede! A tensão da fonte de corrente elétrica deve coincidir com os dados que constam na placa de características da ferramenta elétrica. Ferramentas elétricas marcadas para 230 V também podem ser operadas com 220 V.**

Ajustar o sentido de rotação (ver figura L - M)

► **Acione o comutador do sentido de rotação (4) apenas com a ferramenta elétrica parada.**

Com o comutador de sentido de rotação (4) é possível alterar o sentido de rotação da ferramenta elétrica. Com o interruptor de ligar/desligar pressionado (7) isto não é possível.

Rotação à direita: Para furar e apertar parafusos prima o comutador do sentido de rotação (4) no lado esquerdo para baixo e em simultâneo no lado direito para cima.

Rotação à esquerda: Para soltar ou retirar parafusos e porcas prima o comutador do sentido de rotação (4) no lado esquerdo para cima e em simultâneo no lado direito para baixo.

Ajustar o modo de operação



Furar e aparafusar

Coloque o comutador (3) no símbolo "Furar".



Furar com percussão

Coloque o comutador (3) no símbolo "Furar com percussão".

O comutador (3) engata de forma perceptível e pode ser acionado mesmo com o motor a trabalhar.

Regulação mecânica da velocidade

► **Pré-selecionar o número de rotações (2) com a ferramenta elétrica a funcionar lentamente. No entanto, isto não deve ser feito com a ferramenta parada, a carga total ou com a velocidade máxima.**

Com o seletor de velocidade (2) podem ser pré-selecionados 2 regimes de rotações.

Velocidade I:
2 1 Baixa gama de número de rotações; para trabalhar com grandes diâmetros de perfuração ou para aparafusar.

Velocidade II:
2 1 Alta gama de número de rotações; para trabalhar com pequeno diâmetro de perfuração.

Se não for possível empurrar o seletor de velocidade (2) até ao batente, rode um pouco o veio de acionamento com broca.

Ligar/desligar

Para a **colocação em funcionamento** da ferramenta elétrica deverá pressionar o interruptor de ligar/desligar (7) e mantenha-o pressionado.

Para **fixar** o interruptor de ligar/desligar (7) pressionado, prima o botão de fixação (5).

Para **desligar** ferramenta elétrica liberte o interruptor de ligar/desligar (7) ou, se este estiver bloqueado com o botão de fixação (5), pressione o interruptor de ligar/desligar (7) brevemente e depois liberte-o.

Acoplamento de sobrecarga



Para limitar altos momentos de reação, a ferramenta elétrica está equipada com um acoplamento de sobrecarga (Antirrotação).

► **Se o acessório emperrar ou pender, a força motriz do veio da broca é interrompida. Devido às forças que se formam, segure sempre a ferramenta elétrica bem com as duas mãos e coloque-se sobre uma base estável.**

► **Desligue a ferramenta elétrica e solte o acessório se a ferramenta elétrica encravar. Ao ligar o aparelho com uma broca bloqueada são produzidos altos momentos de reação.**

Ajustar o número de rotações/impactos

Podem regular o número de rotações/impactos da ferramenta elétrica ligada de forma contínua, consoante a pressão que faz no interruptor de ligar/desligar (7).

Uma leve pressão sobre o interruptor de ligar/desligar (7) proporciona um número de rotações/impactos baixo. Aumentando a pressão, é aumentado o n.º de rotações/impactos.

Pré-selecionar o número de rotações/impactos

Com a roda de pré-seleção da velocidade de rotação (6) pode pré-selecionar o número de rotações/número de impactos necessário mesmo durante a operação.

O número de rotações/impactos necessário depende do material e das condições de trabalho e pode ser determinado por tentativas.

Instruções de trabalho

► **Antes de todos trabalhos na ferramenta elétrica deverá puxar a ficha de rede da tomada.**

► **Utilizar os punhos adicionais fornecidos com a ferramenta elétrica.** A perda de controle sobre a ferramenta elétrica pode levar a lesões.

Após um longo período de tempo a trabalhar com um número de rotações reduzido, deve deixar a ferramenta elétrica a funcionar aprox. 3 minutos com o número de rotações máximo em vazio para arrefecer.

Para perfurar ladrilhos, coloque o comutador (3) no símbolo "Furar". Depois de perfurar o ladrilho, coloque o comutador no símbolo "Furar com percussão" e trabalhe com percussão.

Para trabalhos em betão, pedra e muramentos devem ser utilizadas brocas de metal duro.

Ao furar metal utilize apenas brocas HSS afiadas e sem problemas (HSS= aço de corte rápido de alto rendimento). O programa de acessórios **Bosch** garante a qualidade adequada.

Com o dispositivo de afiar brocas (acessórios) pode afiar brocas helicoidais com um diâmetro de 2,5–10 mm sem o mínimo esforço.

Manutenção e assistência técnica

Manutenção e limpeza

- ▶ **Antes de todos trabalhos na ferramenta elétrica deverá puxar a ficha de rede da tomada.**
- ▶ **Manter a ferramenta elétrica e as aberturas de ventilação sempre limpas, para trabalhar bem e de forma segura.**

Se for necessário instalar um cabo de ligação, a instalação deve ser feita pela **Bosch** ou por um centro de serviço autorizado para ferramentas elétricas **Bosch**, para evitar perigos de segurança.

Serviço pós-venda e aconselhamento

O serviço pós-venda responde às suas perguntas a respeito de serviços de reparação e de manutenção do seu produto, assim como das peças sobressalentes. Desenhos explodidos e informações acerca das peças sobressalentes também em: **www.bosch-pt.com**

A nossa equipa de consultores Bosch esclarece com prazer todas as suas dúvidas a respeito dos nossos produtos e acessórios.

Indique para todas as questões e encomendas de peças sobressalentes a referência de 10 dígitos de acordo com a placa de características do produto.

Portugal

Robert Bosch LDA
Avenida Infante D. Henrique
Lotes 2E – 3E
1800 Lisboa

Para efetuar o seu pedido online de peças entre na página www.ferramentasbosch.com.
Tel.: 21 8500000
Fax: 21 8511096

Brasil

Robert Bosch Ltda. – Divisão de Ferramentas Elétricas
Caixa postal 1195 – CEP: 13065-900
Campinas – SP
Tel.: 0800 7045 446
www.bosch.com.br/contato

Eliminação

Ferramentas elétricas, acessórios e embalagens devem ser enviados a uma reciclagem ecológica de matérias-primas.



Não deitar ferramentas elétricas no lixo doméstico!

Apenas para países da UE:

De acordo com a diretiva europeia 2012/19/UE para aparelhos elétricos e eletrónicos velhos, e com as respetivas realizações nas leis nacionais, as ferramentas elétricas que não servem mais para a utilização, devem ser enviadas separadamente a uma reciclagem ecológica.

Espanol

Indicaciones de seguridad

Indicaciones generales de seguridad para herramientas eléctricas

⚠ ADVERTENCIA Lea íntegramente las advertencias de peligro, las instrucciones, las ilustraciones y las especificaciones entregadas con esta herramienta eléctrica. En caso de no atenderse a las instrucciones siguientes, ello puede ocasionar una descarga eléctrica, un incendio y/o una lesión grave.

Guardar todas las advertencias de peligro e instrucciones para futuras consultas.

El término "herramienta eléctrica" empleado en las siguientes advertencias de peligro se refiere a herramientas eléctricas de conexión a la red (con cable de red) y a herramientas eléctricas accionadas por acumulador (sin cable de red).

Seguridad del puesto de trabajo

- ▶ **Mantenga el área de trabajo limpia y bien iluminada.** Las áreas desordenadas u oscuras pueden provocar accidentes.
- ▶ **No utilice herramientas eléctricas en un entorno con peligro de explosión, en el que se encuentren combustibles líquidos, gases o material en polvo.** Las herramientas eléctricas producen chispas que pueden llegar a inflamar los materiales en polvo o vapores.
- ▶ **Mantenga alejados a los niños y otras personas de su puesto de trabajo al emplear la herramienta eléctrica.** Una distracción le puede hacer perder el control sobre la herramienta eléctrica.

Seguridad eléctrica

- ▶ **El enchufe de la herramienta eléctrica debe corresponder a la toma de corriente utilizada. No es admisible modificar el enchufe en forma alguna. No emplear adaptadores en herramientas eléctricas dotadas con una toma de tierra.** Los enchufes sin modificar adecuados a las respectivas tomas de corriente reducen el riesgo de una descarga eléctrica.
- ▶ **Evite que su cuerpo toque partes conectadas a tierra como tuberías, radiadores, cocinas y refrigeradores.** El riesgo a quedar expuesto a una sacudida eléctrica es mayor si su cuerpo tiene contacto con tierra.
- ▶ **No exponga la herramienta eléctrica a la lluvia o a condiciones húmedas.** Existe el peligro de recibir una descarga eléctrica si penetran ciertos líquidos en la herramienta eléctrica.
- ▶ **No abuse del cable de red. No utilice el cable de red para transportar o colgar la herramienta eléctrica, ni tire de él para sacar el enchufe de la toma de corriente. Mantenga el cable de red alejado del calor, aceite, esquinas cortantes o piezas móviles.** Los cables de red

dañados o enredados pueden provocar una descarga eléctrica.

- ▶ **Al trabajar con la herramienta eléctrica a la intemperie utilice solamente cables de prolongación apropiados para su uso al aire libre.** La utilización de un cable de prolongación adecuado para su uso en exteriores reduce el riesgo de una descarga eléctrica.
- ▶ **Si fuese imprescindible utilizar la herramienta eléctrica en un entorno húmedo, es necesario conectarla a través de un dispositivo de corriente residual (RCD) de seguridad (fusible diferencial).** La aplicación de un fusible diferencial reduce el riesgo a exponerse a una descarga eléctrica.

Seguridad de personas

- ▶ **Esté atento a lo que hace y emplee sentido común cuando utilice una herramienta eléctrica. No utilice la herramienta eléctrica si estuviese cansado, ni tampoco después de haber consumido drogas, alcohol o medicamentos.** El no estar atento durante el uso de la herramienta eléctrica puede provocar serias lesiones.
- ▶ **Utilice un equipo de protección personal. Utilice siempre una protección para los ojos.** El riesgo a lesionarse se reduce considerablemente si se utiliza un equipo de protección adecuado como una mascarilla antipolvo, zapatos de seguridad con suela antideslizante, casco, o protectores auditivos.
- ▶ **Evite una puesta en marcha involuntaria. Asegurarse de que la herramienta eléctrica esté desconectada antes de conectarla a la toma de corriente y/o al montar el acumulador, al recogerla y al transportarla.** Si transporta la herramienta eléctrica sujetándola por el interruptor de conexión/desconexión, o si alimenta la herramienta eléctrica estando ésta conectada, ello puede dar lugar a un accidente.
- ▶ **Retire las herramientas de ajuste o llaves fijas antes de conectar la herramienta eléctrica.** Una herramienta de ajuste o llave fija colocada en una pieza rotante puede producir lesiones al poner a funcionar la herramienta eléctrica.
- ▶ **Evite posturas arriesgadas. Trabaje sobre una base firme y mantenga el equilibrio en todo momento.** Ello le permitirá controlar mejor la herramienta eléctrica en caso de presentarse una situación inesperada.
- ▶ **Lleve puesta una vestimenta de trabajo adecuada. No utilice vestimenta amplia ni joyas. Mantenga su pelo y vestimenta alejados de las piezas móviles.** La vestimenta suelta, el pelo largo y las joyas se pueden enganchar con las piezas en movimiento.
- ▶ **Si se proporcionan dispositivos para la conexión de las instalaciones de extracción y recogida de polvo, asegúrese que éstos estén conectados y que sean utilizados correctamente.** El empleo de estos equipos reduce los riesgos derivados del polvo.
- ▶ **No permita que la familiaridad ganada por el uso frecuente de herramientas eléctricas lo deje caer en la complacencia e ignore las normas de seguridad de**

herramientas. Una acción negligente puede causar lesiones graves en una fracción de segundo.

Uso y trato cuidadoso de herramientas eléctricas

- ▶ **No sobrecargue la herramienta eléctrica. Utilice la herramienta eléctrica adecuada para su aplicación.** Con la herramienta eléctrica adecuada podrá trabajar mejor y más seguro dentro del margen de potencia indicado.
- ▶ **No utilice la herramienta eléctrica si el interruptor está defectuoso.** Las herramientas eléctricas que no se puedan conectar o desconectar son peligrosas y deben hacerse reparar.
- ▶ **Saque el enchufe de la red y/o retire el acumulador desmontable de la herramienta eléctrica, antes de realizar un ajuste, cambiar de accesorio o al guardar la herramienta eléctrica.** Esta medida preventiva reduce el riesgo a conectar accidentalmente la herramienta eléctrica.
- ▶ **Guarde las herramientas eléctricas fuera del alcance de los niños. No permita la utilización de la herramienta eléctrica a aquellas personas que no estén familiarizadas con su uso o que no hayan leído estas instrucciones.** Las herramientas eléctricas utilizadas por personas inexpertas son peligrosas.
- ▶ **Cuide las herramientas eléctricas y los accesorios. Controle la alineación de las piezas móviles, rotura de piezas y cualquier otra condición que pudiera afectar el funcionamiento de la herramienta eléctrica.** En caso de daño, la herramienta eléctrica debe repararse antes de su uso. Muchos de los accidentes se deben a herramientas eléctricas con un mantenimiento deficiente.
- ▶ **Mantenga los útiles limpios y afilados.** Los útiles mantenidos correctamente se dejan guiar y controlar mejor.
- ▶ **Utilice la herramienta eléctrica, los accesorios, los útiles, etc. de acuerdo a estas instrucciones, considerando en ello las condiciones de trabajo y la tarea a realizar.** El uso de herramientas eléctricas para trabajos diferentes de aquellos para los que han sido concebidas puede resultar peligroso.
- ▶ **Mantenga las empuñaduras y las superficies de las empuñaduras secas, limpias y libres de aceite y grasa.** Las empuñaduras y las superficies de las empuñaduras resbaladizas no permiten un manejo y control seguro de la herramienta eléctrica en situaciones imprevistas.

Servicio

- ▶ **Únicamente deje reparar su herramienta eléctrica por un experto cualificado, empleando exclusivamente piezas de repuesto originales.** Solamente así se mantiene la seguridad de la herramienta eléctrica.

Indicaciones de seguridad para taladradoras

Instrucciones de seguridad para todas las operaciones

- ▶ **Use protectores auriculares al taladrar por percusión.** La exposición al ruido puede causar una pérdida auditiva.
- ▶ **Utilice una(s) asa(s) auxiliar(es).** La pérdida del control puede causar lesiones personales.

- ▶ **Sostenga la herramienta eléctrica por las superficies de agarre aisladas, cuando realice una operación en la cual el accesorio de corte o los sujetadores pueden entrar en contacto con cables ocultos o su propio cable.** En el caso del contacto del accesorio de corte o portaútiles con conductores "bajo tensión", las partes metálicas expuestas de la herramienta eléctrica pueden quedar "bajo tensión" y dar al operador una descarga eléctrica.

Instrucciones de seguridad en el caso de utilizar brocas largas

- ▶ **Nunca opere a mayor velocidad que la velocidad máxima de la broca (bit).** A velocidades más altas, el bit se puede doblar si se le permite rotar sin tocar la pieza de trabajo, originando lesiones personales.
- ▶ **Siempre comience a taladrar a baja velocidad y con la punta del bit en contacto con la pieza de trabajo.** A velocidades más altas, el bit se puede doblar si se le permite rotar sin tocar la pieza de trabajo, originando lesiones personales.
- ▶ **Aplique presión sólo en línea directa con el bit y no aplique presión excesiva.** Los bits pueden doblarse y causar roturas o pérdida de control, originando lesiones personales.

Indicaciones de seguridad adicionales

- ▶ **Desconecte inmediatamente la herramienta eléctrica en caso de bloquearse el útil. Esté preparado para los momentos de alta reacción que causa un contragolpe.** El útil se bloquea, si se sobrecarga la herramienta eléctrica o se ladea en la pieza de trabajo a labrar.
- ▶ **Sostenga firmemente la herramienta eléctrica.** Al apretar y aflojar tornillos, pueden presentarse pares de reacción momentáneos.
- ▶ **Asegure la pieza de trabajo.** Una pieza de trabajo fijada con unos dispositivos de sujeción, o en un tornillo de banco, se mantiene sujeta de forma mucho más segura que con la mano.
- ▶ **Utilice unos aparatos de exploración adecuados para detectar conductores o tuberías ocultas, o consulte a sus compañías abastecedoras.** El contacto con conductores eléctricos puede provocar un incendio o una electrocución. Al dañar una tubería de gas puede producirse una explosión. La perforación de una tubería de agua puede redundar en daños materiales o provocar una electrocución.
- ▶ **Espera a que se haya detenido la herramienta eléctrica antes de depositarla.** El útil puede engancharse y hacerle perder el control sobre la herramienta eléctrica.
- ▶ El enchufe macho de conexión, debe ser conectado solamente a un enchufe hembra de las mismas características técnicas del enchufe macho en materia.

Descripción del producto y servicio



Lea íntegramente estas indicaciones de seguridad e instrucciones. Las faltas de observación de las indicaciones de seguridad y de las instrucciones pueden causar descargas eléctricas, incendios y/o lesiones graves.

Por favor, observe las ilustraciones en la parte inicial de las instrucciones de servicio.

Utilización reglamentaria

La herramienta eléctrica ha sido diseñada para taladrar con percusión en ladrillo, hormigón y piedra, así como para taladrar madera, metal, cerámica y plástico. Los aparatos con regulación electrónica y rotación a la derecha/izquierda también son apropiados para atornillar y terrajar.

Componentes principales

La numeración de los componentes está referida a la imagen de la herramienta eléctrica en la página ilustrada.

- (1) Portabrocas de sujeción rápida
- (2) Selector de velocidad
- (3) Conmutador "Taladrar/taladrar con percusión"
- (4) Selector de sentido de giro
- (5) Tecla de enclavamiento del interruptor de conexión/desconexión
- (6) Rueda preselección de revoluciones
- (7) Interruptor de conexión/desconexión
- (8) Botón de extracción de dispositivo de aspiración de polvo
- (9) Caja colectora de polvo completa (sistema de micro-filtro)
- (10) Empuñadura adicional (zona de agarre aislada)^{A)}
- (11) Botón de ajuste de la guía telescópica
- (12) Dispositivo de aspiración de polvo
- (13) Guía telescópica
- (14) Botón de ajuste del tope de profundidad
- (15) Anillo colector de polvo para brocas
- (16) Empuñadura (zona de agarre aislada)
- (17) Tope de profundidad^{A)}
- (18) Punta recambiable de destornillador^{A)}
- (19) Portapuntas recambiables universal^{A)}
- (20) Llave de portabrocas^{A)}
- (21) Portabrocas de corona dentada^{A)}
- (22) Llave macho hexagonal^{B)}
- (23) Ranura guía del dispositivo de aspiración de polvo
- (24) Elemento de filtro (sistema de microfiltro)
- (25) Botón de extracción de la caja colectora de polvo
- (26) Trampilla de la caja colectora de polvo
- (27) Tope de profundidad (aspiración de polvo)^{A)}
- (28) Anillo de goma del anillo colector de polvo

(29) Botón de desenclavamiento del anillo colector de polvo

- A) **Los accesorios descritos e ilustrados no corresponden al material que se adjunta de serie. La gama completa de accesorios opcionales se detalla en nuestro programa de accesorios.**
- B) **usual en el comercio (no contenido en el volumen de suministro)**

Datos técnicos

Taladro de percusión		GSB 19-2 REA
Número de artículo		3 601 A7C 5..
Potencia absorbida nominal	W	900
Potencia útil, máx.	W	455
Revoluciones en vacío		
– 1.a velocidad	min ⁻¹	0–1 000
– 2.a velocidad	min ⁻¹	0–3 000
Número de revoluciones nominal		
– 1.a velocidad	min ⁻¹	770
– 2.a velocidad	min ⁻¹	1 990
Nº de impactos con revoluciones en vacío	min ⁻¹	51 000
Par de giro nominal		
– 1.a velocidad	Nm	5,7
– 2.a velocidad	Nm	2,2
Preselección de revoluciones		●
Giro a derechas/izquierdas		●
Portabrocas de corona dentada		–
Portabrocas de sujeción rápida		●
Retención automática del husillo (Auto-Lock)		●
Diámetro del cuello del husillo	mm	43
Ø máx. de taladro (1.a/2.a marcha)		
– Hormigón	mm	18/13
– Ladrillo	mm	20/15
– Acero	mm	13/8
– Madera	mm	40/25
Capacidad del portabrocas	mm	1,5–13
Potencia de aspiración	l/min	460
Capacidad de la caja colector de polvo (taladro horizontal)		
– Perforaciones 6 x 30 mm	Cantidad	130
– Perforaciones 8 x 30 mm	Cantidad	75
– Perforaciones 10 x 30 mm	Cantidad	45

Taladro de percusión

GSB 19-2 REA

Peso según

EPTA-Procedure 01:2014

– con dispositivo de aspiración	kg	3,2
– sin dispositivo de aspiración	kg	2,6
Clase de protección		□ / II

Las indicaciones son válidas para una tensión nominal [U] de 230 V. Estas indicaciones pueden variar con tensiones divergentes y en ejecuciones específicas del país.

Información sobre ruidos y vibraciones

Valores de emisión de ruidos determinados según

EN 62841-2-1.

El nivel de ruidos valorado con A de la herramienta eléctrica asciende típicamente a: nivel de presión acústica **95 dB(A)**; nivel de potencia acústica **106 dB(A)**. Inseguridad K = **5 dB**.

¡Llevar orejeras!

Valores totales de vibraciones a_h (suma de vectores de tres direcciones) e inseguridad K determinados según

EN 62841-2-1.

Taladrado en metal: $a_h = 3,0 \text{ m/s}^2$, K = **1,5 m/s²**.

Taladrado de percusión en hormigón: $a_h = 15 \text{ m/s}^2$, K = **2,0 m/s²**.

Atornillado: $a_h < 2,5 \text{ m/s}^2$, K = **1,5 m/s²**.

Terrajado: $a_h < 2,5 \text{ m/s}^2$, K = **1,5 m/s²**.

El nivel de vibraciones y el valor de emisiones de ruidos indicados en estas instrucciones han sido determinados según un procedimiento de medición normalizado y pueden servir como base de comparación con otras herramientas eléctricas. También son adecuados para estimar provisionalmente la emisión de vibraciones y ruidos.

El nivel de vibraciones y el valor de emisiones de ruidos indicados han sido determinados para las aplicaciones principales de la herramienta eléctrica. Por ello, el nivel de vibraciones y el valor de emisiones de ruidos pueden ser diferentes si la herramienta eléctrica se utiliza para otras aplicaciones, con útiles diferentes, o si el mantenimiento de la misma fuese deficiente. Ello puede suponer un aumento drástico de la emisión de vibraciones y de ruidos durante el tiempo total de trabajo.

Para determinar con exactitud las emisiones de vibraciones y de ruidos, es necesario considerar también aquellos tiempos en los que el aparato esté desconectado, o bien, esté en funcionamiento, pero sin ser utilizado realmente. Ello puede suponer una disminución drástica de las emisiones de vibraciones y de ruidos durante el tiempo total de trabajo.

Fije unas medidas de seguridad adicionales para proteger al usuario de los efectos por vibraciones, como por ejemplo: Mantenimiento de la herramienta eléctrica y de los útiles, conservar calientes las manos, organización de las secuencias de trabajo.

Montaje

- ▶ **Antes de cualquier manipulación en la herramienta eléctrica, sacar el enchufe de red de la toma de corriente.**

Empuñadura adicional

- ▶ **Utilice su herramienta eléctrica sólo con la empuñadura adicional (10).**

Puede ajustar la empuñadura adicional (10) en 12 posiciones, para lograr una postura de trabajo segura y libre de fatiga.

Gire la parte inferior de la empuñadura adicional (10) en sentido de giro ① y desplace la empuñadura adicional (10) hacia delante, hasta que la pueda girar a la posición deseada. A continuación, tire la empuñadura adicional (10) de nuevo hacia atrás y vuelva a apretar la empuñadura adicional en sentido de giro ②.

Ajustar la profundidad de taladrado (ver figura A)

Con el tope de profundidad (27) se puede fijar la profundidad de taladrado X deseada.

Gire la parte inferior de la empuñadura adicional (10) en sentido antihorario y aplique el tope de profundidad (17).

Extraiga el tope de profundidad, hasta que la distancia entre la punta de la broca y la punta del tope de profundidad corresponda a la profundidad de taladrado X deseada.

Luego, vuelva a apretar de nuevo la parte inferior empuñadura adicional (10) en sentido horario.

La acanaladura en el tope de profundidad (17) debe señalar hacia arriba.

Cambio de útil

- ▶ **Use guantes de protección al cambiar las herramientas.** El portabrocas puede calentarse fuertemente después de haber trabajado prolongadamente con el aparato.

Portabrocas de sujeción rápida (ver figura B)

Cuando el interruptor de conexión/desconexión (7) no está presionado, el husillo de taladrar está bloqueado. Ello permite el cambio rápido, cómodo y sencillo del útil montado en el portabrocas.

Abra el portabrocas de sujeción rápida (1) girando en sentido de giro ①, hasta que se pueda colocar el útil. Inserte el útil.

Gire vigorosamente el manguito del portabrocas de sujeción rápida (1) en sentido de giro ② con la mano, hasta que ya no se pueda escuchar ningún encastre. El portabrocas se bloquea así automáticamente.

Para desmontar el útil, es preciso desenclavar el portabrocas girando el casquillo en sentido contrario.

Portabrocas con corona dentada (ver figura C)

Abra el portabrocas con corona dentada (21) girando, hasta que se pueda colocar el útil. Inserte el útil.

Inserte la llave del portabrocas (20) en los correspondientes taladros del portabrocas de corona dentada (21) y sujete el útil uniformemente.

Útiles de atornillar

En el caso de la utilización de puntas para atornillar (18) debería utilizar siempre un porta-bits universal (19). Únicamente utilice puntas de atornillar que ajusten correctamente en la cabeza del tornillo.

Para atornillar, ajuste siempre el selector "Taladrar/taladrar con percusión" (3) siempre en el símbolo "Taladrar".

Cambio del portabrocas

- ▶ **Antes de cualquier manipulación en la herramienta eléctrica, sacar el enchufe de red de la toma de corriente.**

Desmontaje del portabrocas (ver figura D)

Desmunte la empuñadura adicional y mueva el selector de velocidad (2) a la posición central entre la 1.a y la 2.a velocidad.

Inserte un pasador de acero de 4 mm de Ø de aprox. 50 mm de longitud en el orificio en el cuello del husillo para bloquear el husillo de taladrar.

Fije una llave macho hexagonal (22) con el vástago corto adelante en el portabrocas de sujeción rápida (1).

Coloque la herramienta eléctrica sobre una pieza de base firme, p. ej. un banco de trabajo. Sujete firmemente la herramienta eléctrica y suelte el portabrocas de sujeción rápida (1) girando la llave macho hexagonal (22) en sentido de giro ①. Un portabrocas de sujeción rápida inmovilizado se suelta con un golpe suave en el vástago largo de la llave macho hexagonal (22). Retire la llave macho hexagonal del portabrocas de sujeción rápida y desatornille totalmente el portabrocas de sujeción rápida.

En las herramientas eléctricas dotadas con portabrocas de corona dentada el desmontaje se realiza de forma similar a la arriba indicada.

En las herramientas eléctricas dotadas con portabrocas de sujeción rápida, se puede aplicar una llave de boca (entrecharras de 19 mm) en el portabrocas, en vez de la llave macho hexagonal (22).

Montaje del portabrocas (ver figura E)

El montaje del portabrocas de sujeción rápida o de corona dentada, se realiza siguiendo los pasos en orden inverso.



El portabrocas se debe apretar firmemente con un par de apriete de aprox. 50–55 Nm.

- ▶ **Una vez realizado el montaje del portabrocas retire la espiga de acero del taladro.**

Dispositivo de aspiración de polvo/recipiente de polvo

El polvo de ciertos materiales como, pinturas que contengan plomo, ciertos tipos de madera y algunos minerales y metales, puede ser nocivo para la salud. El contacto y la inspiración de estos polvos pueden provocar en el usuario o en las

personas circundantes reacciones alérgicas y/o enfermedades respiratorias.

Ciertos polvos como los de roble, encina y haya son considerados como cancerígenos, especialmente en combinación con los aditivos para el tratamiento de la madera (cromatos, conservantes de la madera). Los materiales que contengan amianto solamente deberán ser procesados por especialistas.

- A ser posible utilice un equipo para aspiración de polvo apropiado para el material a trabajar.
- Observe que esté bien ventilado el puesto de trabajo.
- Se recomienda una mascarilla protectora con un filtro de la clase P2.

Observe las prescripciones vigentes en su país sobre los materiales a trabajar.

► **Utilice el dispositivo de aspiración solamente al trabajar en hormigón, ladrillos y mampostería.** Las virutas de madera y plástico pueden conducir rápidamente a obstrucciones.

► **¡Atención peligro de incendio! No mecanice materiales metálicos con el dispositivo de aspiración montado.** Virutas calientes de metal pueden inflamar partes del recipiente de polvo.

► **Evite acumulaciones de polvo en el puesto de trabajo.** Los materiales en polvo se pueden inflamar fácilmente.

Indicación: No utilice el dispositivo de aspiración de polvo (12) al atornillar o terrajar.

El dispositivo de aspiración de polvo (12) se recupera durante el trabajo, de modo que el anillo colector de polvo se mantiene siempre cerca del subsuelo. El dispositivo de aspiración de polvo es conectado y desconectado automáticamente junto con el martillo perforador.

Para conseguir una aspiración óptima siga los siguientes consejos:

- El útil empleado no deberá sobresalir del anillo colector de polvo (15).
- Observe que el dispositivo de aspiración asiente por completo contra la pieza o pared. Así, se facilita simultáneamente un taladrado rectangular.
- Trabaje siempre a la máxima velocidad cuando utilice el dispositivo de aspiración..
- Al alcanzar la profundidad de taladrado deseada saque primero la broca de la perforación y desconecte entonces la taladradora de percusión.
- Compruebe regularmente el estado del elemento filtrante (24). Si el elemento filtrante está dañado, reemplácelo inmediatamente.

Quitar/colocar el dispositivo de aspiración de polvo (ver figura F)

Para quitar el dispositivo de aspiración de polvo, presione la tecla de desenclavamiento (8) y tire del dispositivo de aspiración de polvo hacia delante.

Si es necesario, gire la empuñadura adicional (10) hacia un lado.

Para colocar el dispositivo de aspiración de polvo (12), desplácelo con las ranuras guía (23) en el alojamiento en la herramienta eléctrica, hasta que encastre de forma audible.

Autoaspiración con caja colector de polvo (ver figura G)

El nivel de llenado de la caja colector de polvo (9) se puede controlar fácilmente a través de la tapa transparente (26).

Vacíe a tiempo la caja colector de polvo para mantener un buen rendimiento de aspiración.

Para retirar la caja colector de polvo (9), presione las dos teclas de desenclavamiento (25) y tire de la caja colector de polvo hacia abajo del dispositivo de aspiración de polvo (12).

Antes de abrir la caja colector de polvo (9), ésta deberá golpearse ligeramente contra una base consistente, para soltar el polvo del elemento filtrante (24).

Abra la tapa (26) presionándola en la parte inferior y vacíe la caja colector de polvo.

Examine el elemento filtrante (24) en cuanto a daños. En caso afirmativo, cámbielo inmediatamente.

Cierre la tapa (26) y desplace de nuevo la caja colector de polvo desde abajo en el dispositivo de aspiración de polvo 13, hasta que encastre de forma audible.

Cambio del elemento filtrante (ver figura H)

Para mantener el rendimiento del filtro, el elemento filtrante (24) de la caja colector de polvo (9) debe ser sustituido después de aprox. 15 horas de funcionamiento.

Para retirar la caja colector de polvo (9), presione las dos teclas de desenclavamiento (25) y tire de la caja colector de polvo hacia abajo del dispositivo de aspiración de polvo (12).

Retire el elemento filtrante (24) hacia arriba y coloque un nuevo elemento filtrante.

Desplace de nuevo la caja colector de polvo desde abajo en el dispositivo de aspiración de polvo (12), hasta que encastre de forma audible.

Indicación: Sustituya inmediatamente el elemento filtrante (24), si está dañado (p. ej. agujeros, daños en el material de sellado blando). Si se trabaja con un elemento filtrante defectuoso puede ocurrir que ello perjudique a la herramienta eléctrica. Cambie también el elemento filtrante (24), si la potencia de aspiración es insuficiente, incluso cuando la caja de polvo (9) está vacía.

Ajustar la profundidad de taladrado (ver figura I)

Con el tope de profundidad (27) se puede fijar la profundidad de taladrado X deseada.

Coloque una broca en el portabrocas y sujete la broca, ver apartado Cambio de útil. Asiente firmemente la herramienta eléctrica, estando ésta detenida, contra la superficie a taladrar, de manera que la broca asiente contra la superficie.

Presione la tecla para el ajuste del tope de profundidad (14) y desplace el tope de profundidad (27), de modo que la distancia X mostrada en la figura corresponda a su profundidad de taladrado deseada.

Adaptar el dispositivo de aspiración de polvo a la longitud del útil (ver figura J)

La longitud del dispositivo de aspiración de polvo (12) se puede ajustar para un trabajo más cómodo con útiles cortos.

Presione la tecla (11) y desplace la guía telescópica (13) con la tecla presionada en el dispositivo de aspiración de polvo (12), hasta que el anillo colector de polvo se encuentre cerca de la punta del útil.

Para extender de nuevo la guía telescópica, presione de nuevo la tecla (11).

Anillo colector de polvo para brocas (ver figura K)

El anillo colector de polvo para brocas (15) puede equiparse con anillos de goma (28) de dos tamaños. Para taladros de un diámetro hasta 12 mm utilice el anillo de goma K1 con el orificio pequeño, y en diámetros mayores, el anillo de goma K2 con el orificio grande.

Para cambiar el anillo de goma (28) presiónelo hacia atrás y afuera del anillo colector de polvo (15). Para montar el anillo de goma colóquelo en el anillo colector de polvo y presiónelo firmemente hacia dentro.

Para cambiar el anillo colector de polvo (15) presione el botón de desenclavamiento (29) y extraiga el anillo colector de polvo del dispositivo de aspiración de polvo.

Para el montaje, presione el anillo colector de polvo (15) desde arriba en el dispositivo de aspiración de polvo (12), hasta que encastre de forma audible.

Operación

Puesta en marcha

- **¡Observe la tensión de alimentación! La tensión de alimentación deberá coincidir con las indicaciones en la placa de características de la herramienta eléctrica. Las herramientas eléctricas marcadas con 230 V pueden funcionar también a 220 V.**

Ajustar el sentido de giro (ver figura L - M)

- **Accione el selector de sentido de giro (4) sólo con la herramienta eléctrica en reposo.**

Con el selector de sentido de giro (4) puede modificar el sentido de giro de la herramienta eléctrica. Sin embargo, esto no es posible con el interruptor de conexión/desconexión (7) presionado.

Rotación a la derecha: Para taladrar y enroscar tornillos, desplace el selector de sentido de giro (4) en el lado izquierdo hacia abajo y, simultáneamente, en el lado derecho hacia arriba.

Rotación a la izquierda: Para soltar o desenroscar tornillos y tuercas, desplace el selector de sentido de giro (4) en el lado izquierdo hacia arriba y, simultáneamente, en el lado derecho hacia abajo.

Ajuste del modo de operación



Taladrado y atornillado

Ponga el conmutador (3) en la posición del símbolo «Taladrado».



Taladrado con percusión

Ponga el conmutador (3) en la posición del símbolo «Taladrado con percusión».

El conmutador (3) encaja de forma perceptible y también se puede accionar aunque el motor esté en marcha.

Selector de velocidad mecánico

- **Puede accionar el selector de velocidad (2) mientras la herramienta eléctrica está funcionando lentamente. Sin embargo, esto no debe tener lugar en reposo, a plena carga o velocidad máxima.**

Con el selector de velocidad (2) se pueden preseleccionar 2 márgenes de revoluciones.



Velocidad I:

1 Campo de bajas revoluciones; para taladros de gran diámetro o para atornillar.



Velocidad II:

1 Campo de altas revoluciones; para perforaciones pequeñas.

Si el selector de velocidad (2) no se deja girar hasta el tope, gire un poco el husillo de accionamiento con la broca.

Conexión/desconexión

Para la **puesta en marcha** de la herramienta eléctrica, accionar y mantener en esa posición el interruptor de conexión/desconexión (7).

Para **enclavar** el interruptor de conexión/desconexión (7) apretado, oprima la tecla de enclavamiento (5).

Para **desconectar** la herramienta eléctrica, suelte el interruptor de conexión/desconexión (7) (5) o si está bloqueado, presione brevemente el interruptor de conexión/desconexión (7) y luego suéltelo.

Embrague limitador de par



Para evitar que los pares de reacción sean demasiado elevados, la herramienta eléctrica incorpora un embrague limitador de par (Anti-Rotation).

- **En caso de engancharse o bloquearse el útil se desacopla el husillo de la unidad de accionamiento. Debido a las fuerzas generadas en ello, siempre sostenga firmemente la herramienta eléctrica con ambas manos y tome una posición firme.**
- **Desconecte la herramienta eléctrica y suelte el útil, si se bloquea la herramienta eléctrica. Si la herramienta eléctrica se conecta estando bloqueado el útil de taladrar se producen unos pares de reacción muy elevados.**

Ajuste de las revoluciones/frecuencia de percusión

Puede regular en forma continua el número de revoluciones/la frecuencia de percusión de la herramienta eléctrica conectada, según la presión ejercida sobre el interruptor de conexión/desconexión (7).

Una ligera presión en el interruptor de conexión/desconexión (7) causa bajo número de revoluciones/frecuencia de percusión. Aumentando paulatinamente la presión se van

umentando en igual medida el número de revoluciones/la frecuencia de percusión.

Preselección del nº de revoluciones/frecuencia de percusión

Con la rueda de ajuste de la preselección del número de revoluciones **(6)** puede preseleccionar el número de revoluciones/golpes necesario también durante el servicio.

El nº de revoluciones/frecuencia de percusión precisado depende del material y condiciones de trabajo, siendo conveniente determinarlo probando.

Instrucciones para la operación

- ▶ **Antes de cualquier manipulación en la herramienta eléctrica, sacar el enchufe de red de la toma de corriente.**
- ▶ **Solamente aplique la herramienta eléctrica desconectada contra la tuerca o tornillo.** Los útiles en rotación pueden resbalar.

Tras un trabajo prolongado con pequeño número de revoluciones, debería dejar funcionar herramienta eléctrica durante aprox. 3 minuto con máximo número de revoluciones en vacío para el enfriamiento.

Para taladrar baldosas, coloque el conmutador **(3)** en el símbolo "Taladrar". Una vez traspasado el azulejo gire el selector a la posición con el símbolo "Taladrar con percusión" para continuar taladrando con percusión.

Al taladrar hormigón, piedra y ladrillo emplear brocas de metal duro.

Cuando taladre en metal, use solo brocas HSS afiladas y perfectas (HSS=Aceros de alta velocidad). La calidad correspondiente la garantiza el programa de accesorios **Bosch**.

Con el afilador de brocas (accesorio) puede afilar fácilmente las brocas espirales con un diámetro de 2,5–10 mm.

Mantenimiento y servicio

Mantenimiento y limpieza

- ▶ **Antes de cualquier manipulación en la herramienta eléctrica, sacar el enchufe de red de la toma de corriente.**
- ▶ **Mantenga limpia la herramienta eléctrica y las rejillas de refrigeración para trabajar con eficacia y seguridad.**

Si es necesario reemplazar el cable de conexión, entonces esto debe ser realizado por **Bosch** o por un servicio técnico autorizado para herramientas eléctricas **Bosch**, para evitar riesgos de seguridad.

Servicio técnico y atención al cliente

El servicio técnico le asesorará en las consultas que pueda Ud. tener sobre la reparación y mantenimiento de su producto, así como sobre piezas de recambio. Las representaciones gráficas tridimensionales e informaciones de repuestos se encuentran también bajo: **www.bosch-pt.com**
El equipo asesor de aplicaciones de Bosch le ayuda gustosa-

mente en caso de preguntas sobre nuestros productos y sus accesorios.

Para cualquier consulta o pedido de piezas de repuesto es imprescindible indicar el nº de artículo de 10 dígitos que figura en la placa de características del producto.

España

Robert Bosch España S.L.U.
Departamento de ventas Herramientas Eléctricas
C/Hermanos García Noblejas, 19
28037 Madrid

Para efectuar su pedido online de recambios o pedir la recogida para la reparación de su máquina, entre en la página www.herramientasbosch.net.

Tel. Asesoramiento al cliente: 902 531 553
Fax: 902 531554

Argentina

Robert Bosch Argentina S.A.
Calle Blanco Encalada 250 – San Isidro
Código Postal B1642AMQ
Ciudad Autónoma de Buenos Aires
Tel.: (54) 11 5296 5200
E-Mail: herramientas.bosch@ar.bosch.com
www.argentina.bosch.com.ar

Chile

Robert Bosch S.A.
Calle El Cacique
0258 Providencia – Santiago de Chile
Buzón Postal 7750000
Tel.: (56) 02 782 0200
www.bosch.cl

Ecuador

Robert Bosch Sociedad Anónima
Av. Rodrigo Chávez Gonzalez Parque Empresarial Colón
Edif. Colconcorp Piso 1 Local 101-102,
Guayaquil
Tel.: (593) 4 220 4000
E-mail: ventas@bosch.com.ec
www.bosch.ec

México

Robert Bosch S. de R.L. de C.V.
Calle Robert Bosch No. 405
C.P. 50071 Zona Industrial, Toluca - Estado de México
Tel.: (52) 55 528430-62
Tel.: 800 6271286
www.bosch-herramientas.com.mx

Perú

Robert Bosch S.A.C.
Av. Primavera 781 Piso 2, Urbanización Chacarilla San Borja
Lima
Tel.: (51) 1 706 1100
www.bosch.com.pe

Venezuela

Robert Bosch S.A.
Calle Vargas con Buen Pastor, Edif. Alba, P-1, Boleita Norte,
Caracas 1071

Tel.: (58) 212 207-4511
www.boschherramientas.com.ve

Eliminación

Recomendamos que las herramientas eléctricas, accesorios y embalajes sean sometidos a un proceso de recuperación que respete el medio ambiente.



¡No arroje las herramientas eléctricas a la basura!

Sólo para los países de la UE:

Conforme a la Directiva Europea 2012/19/UE sobre aparatos eléctricos y electrónicos inservibles, tras su transposición en ley nacional, deberán acumularse por separado las herramientas eléctricas para ser sometidas a un reciclaje ecológico.



El símbolo es solamente válido, si también se encuentra sobre la placa de características del producto/fabricado.

مخصص للاستعمال الخارجي من خطر الصدمات الكهربائية.

◀ **إن لم يكن بالإمكان تجنب تشغيل العدة الكهربائية في الأجواء الرطبة، فاستخدم مفتاح للوقاية من التيار المتخلف.** إن استخدام مفتاح للوقاية من التيار المتخلف يقلل خطر الصدمات الكهربائية.

أمان الأشخاص

◀ **كن يقظا وانتبه إلى ما تفعله واستخدم العدة الكهربائية بتعقل.** لا تستخدم عدة كهربائية عندما تكون متعبا أو عندما تكون تحت تأثير المخدرات أو الكحول أو الأدوية. عدم الانتباه للحظة واحدة عند استخدام العدة الكهربائية قد يؤدي إلى إصابات خطيرة.

◀ **قم لارتداء تجهيزات الحماية الشخصية.** وارتد دائما نظارات واقية. يعد ارتداء تجهيزات الحماية الشخصية، كقناع الوقاية من الغبار وأحذية الأمان الواقية من الانزلاق والحدوث أو واقية الأذنين، حسب ظروف استعمال العدة الكهربائية، من خطر الإصابة بجروح.

◀ **تجنب التشغيل بشكل غير مقصود.** تأكد من كون العدة الكهربائية مطفأة قبل توصيلها بالتيار الكهربائي و/أو بالمركم، وقبل رفعها أو حملها. إن كنت تضع إصبعك على المفتاح أثناء حمل العدة الكهربائية أو إن وصلت الجهاز بالشبكة الكهربائية بينما لامفتاح على وضع التشغيل، قد يؤدي إلى وقوع الحوادث.

◀ **انزع أداة الضبط أو مفتاح الربط قبل تشغيل العدة الكهربائية.** قد تؤدي الأداة أو المفتاح المتواجد في جزء دوار من الجهاز إلى الإصابة بجروح.

◀ **تجنب أوضاع الجسم غير الطبيعية.** قف بأمان وحافظ على توازنك دائما. سيسمح لك ذلك بالتمكّن في الجهاز بشكل أفضل في المواقف الغير متوقعة.

◀ **قم بارتداء ثياب مناسبة.** لا ترتد الثياب الفضفاضة أو الملّية. احرص على إبقاء الشعر والملابس بعيدا عن الأجزاء المتحركة. قد تتشابك الثياب الفضفاضة والملّية والشعر الطويل بالأجزاء المتحركة.

◀ **إن جاز تركيب تجهيزات شفط وتجميع الغبار، فتأكد من أنها موصولة وبأنه يتم استخدامها بشكل سليم.** قد يقلل استخدام تجهيزات لشفط الغبار من المخاطر الناتجة عن الغبار.

◀ **لا تستخدم العدة الكهربائية بلا مبالاة وتجاهل قواعد الأمان الخاصة بها نتيجة لتعودك على استخدام العدة الكهربائية وكثرة استخدامها.** فقد يتسبب الاستعمال دون حرص في حدوث إصابة بالغة تحدث في أجزاء من الثانية.

حسن معاملة واستخدام العدد الكهربائية

◀ **لا تفرط بتحميل الجهاز.** استخدم لتنفيذ أشغالك العدة الكهربائية المخصصة لذلك. إنك تعمل بشكل أفضل وأكثر أماناً بواسطة العدة الكهربائية الملائمة في مجال الأداء المذكور.

◀ **لا تستخدم العدة الكهربائية إن كان مفتاح تشغيلها تالف.** العدة الكهربائية التي لم يعد من

عربي

إرشادات الأمان

الإرشادات العامة للأمان بالعدد الكهربائية

تحذير

اطلع على كافة تحذيرات الأمان والتعليمات والصور والمواصفات المرفقة بالعدة الكهربائية. عدم اتباع التعليمات الواردة أدناه قد يؤدي إلى حدوث صدمة كهربائية، إلى نشوب حريق و/أو الإصابة بجروح خطيرة.

احتفظ بجميع الملاحظات التحذيرية والتعليمات للمستقبل.

يقصد بمصطلح «العدة الكهربائية» المستخدم في الملاحظات التحذيرية، العدد الكهربائي الموصولة بالشبكة الكهربائية (بواسطة كابل الشبكة الكهربائية) وأيضا العدد الكهربائي المزودة بمركم (دون كابل الشبكة الكهربائية).

الأمان بمكان الشغل

◀ **حافظ على نظافة مكان شغلك وإضاءته بشكل جيد.** الفوضى في مكان الشغل ونطاقات العمل غير المضاءة قد تؤدي إلى وقوع الحوادث.

◀ **لا تشغل بالعدة الكهربائية في نطاق معرض لخطر الانفجار مثل الأماكن التي تتوفر فيه السوائل أو الغازات أو الأبخرة القابلة للاشتعال.** العدد الكهربائي تولد شررا قد يتطاير، فيشعل الأبخرة والأبخرة.

◀ **حافظ على بقاء الأطفال وغيرهم من الأشخاص بعيدا عندما تستعمل العدة الكهربائية.** تشتيت الانتباه قد يتسبب في فقدان السيطرة على الجهاز.

الأمان الكهربائي

◀ **يجب أن يتلائم قابس العدة الكهربائية مع المقبس.** لا يجوز تغيير القابس بأي حال من الأحوال. لا تستعمل القوايس المهينة مع العدد الكهربائية المؤرّضة (ذات طرف أرضي). تخفّض القوايس التي لم يتم تغييرها والمقابس الملائمة من خطر الصدمات الكهربائية.

◀ **تجنب ملامسة جسمك للأسطح المؤرّضة كالأنابيب والمبردات والمواقد أو التلّاجات.** يزداد خطر الصدمات الكهربائية عندما يكون جسمك مَوْض أو موصل بالأرضي.

◀ **أبعد العدة الكهربائية عن الأمطار أو الرطوبة.** يزداد خطر الصدمات الكهربائية إن تسرب الماء إلى داخل العدة الكهربائية.

◀ **لا تسيّ استعمال الكابل.** لا تستخدم الكابل في حمل العدة الكهربائية أو سحبها أو سحب القابس من المقبس. احرص على إبعاد الكابل عن الحرارة والزيت والحواف الحادة أو الأجزاء المتحركة. تزيد الكابلات التالفة أو المتشابكة من خطر الصدمات الكهربائية.

◀ **عند استخدام العدة الكهربائية خارج المنزل اقتصر على استخدام كابلات التمديد الصالحة للاستعمال الخارجي.** يقلل استعمال كابل تمديد

المعدنية من العدة وجعلها مهربة مما قد يصيب المشغل بصدمة كهربائية.

- ▶ **تعليمات الأمان عند استخدام ريش ثقب طويلة**
- ▶ **لا تقم أبداً بالتشغيل بسرعة أعلى من السرعة القصوى المقررة لريشة الثقب.** فعلى السرعات العالية ستكون الريشة معرضة للثني في حالة دورانها بشكل حر دون لمس قطعة الشغل، مما قد يؤدي لوقوع إصابات.
- ▶ **احرص دائماً على بدء الثقب بسرعة منخفضة بحيث تكون رأس الريشة ملامسة لقطعة الشغل.** فعلى السرعات العالية ستكون الريشة معرضة للثني في حالة دورانها بشكل حر دون لمس قطعة الشغل، مما قد يؤدي لوقوع إصابات.
- ▶ **لا تضغط إلا على خط واحد مع الريشة، ولا تضغط بشكل زائد.** فقد تنثني الريشة، وتعرض للكسر أو تسبب فقدان السيطرة، مما يؤدي لوقوع إصابات.

إرشادات الأمان الإضافية

- ▶ **أوقف العدة الكهربائية على الفور في حالة تعرض عدة الشغل للانصهار. كن مستعداً لمواجهة عزم رد الفعل العالية، والتي تسبب صدمة ارتدادية.** تنحصر عدة الشغل عندما يتم التحميل بشكل زائد على العدة الكهربائية أو إذا انقضت في قطعة الشغل التي تعمل عليها.
- ▶ **أمسك بالعدة الكهربائية بإحكام.** قد تتشكل عزم رد فعل عالية لوهلة قصيرة عند إحكام شد وحل اللوالب.
- ▶ **احرص على تأمين قطعة الشغل.** قطعة الشغل المثبتة بواسطة تجهيزة شد أو بواسطة الملزمة مثبتة بأمان أكبر مما لو تم الإمساك بها بواسطة يدك.
- ▶ **استخدم أجهزة تنقيب ملائمة للثقب على خطوط الإمداد غير الظاهرة، أو استعن بشركة الإمداد المحلية.** ملائمة الخطوط الكهربائية قد تؤدي إلى اندلاع النار وإلى الصدمات الكهربائية. حدوث أضرار ببط الغاز قد يؤدي إلى حدوث انفجارات. اختراق خط الماء يشكل الأضرار المادية أو قد يؤدي إلى الصدمات الكهربائية.
- ▶ **انتظر إلى أن تتوقف العدة الكهربائية عن الحركة قبل أن تضعها جانباً.** قد تتكبد عدة الشغل فتؤدي إلى فقدان السيطرة على العدة الكهربائية.

وصف المنتج والأداء

اقرأ جميع إرشادات الأمان والتعليمات. ارتكاب الأخطاء عند تطبيق إرشادات الأمان والتعليمات، قد يؤدي إلى حدوث صدمات كهربائية أو إلى نشوب الحرائق و/أو الإصابة بجروح خطيرة.



يرجى الرجوع إلى الصور الموجودة في الجزء الأول من دليل التشغيل.

الاستعمال المخصص

العدة الكهربائية مخصصة للثقب الطرقي في الطوب والخرسانة والحجر، وأيضاً لثقب الخشب والمعادن

الممكن التحكم بها عن طريق مفتاح التشغيل والإطفاء تعتبر خطيرة ويجب أن يتم إصلاحها.

- ▶ **اسحب القابس من المقبس و/أو اخلع المركب، إذا كان قابلاً للخلع، قبل ضبط الجهاز وقبل استبدال الملمحات أو قبل تخزين الجهاز.** تمنع هذه الإجراءات وقائية تشغيل العدة الكهربائية بشكل غير مقصود.
- ▶ **احتفظ بالعدد الكهربائية التي لا يتم استخدامها بعيداً عن متناول الأطفال.** لا تسمح باستخدام العدة الكهربائية لمن لا خبرة له بها أو لمن لم يقرأ تلك التعليمات. العدد الكهربائية خطيرة إن تم استخدامها من قبل أشخاص دون خبرة.
- ▶ **اعتن بالعدة الكهربائية والملمحات بشكل جيد.** تأكد أن أجزاء الجهاز المتحركة مركبة بشكل سليم وغير مستعصية عن الحركة، وتفحص ما إن كانت هناك أجزاء مكسورة أو في حالة تؤثر على سلامة أداء العدة الكهربائية. ينبغي إصلاح هذه الأجزاء التالفة قبل إعادة تشغيل الجهاز. الكثير من الموادث مصدرها العدد الكهربائية التي تتم صيانتها بشكل رديء.
- ▶ **احرص على إبقاء عدد القطع نظيفة وحادة.** إن عدد القطع ذات حواف القطع المادة التي تم صيانتها بعناية تتكبد بشكل أقل ويمكن توجيهها بشكل أيسر.
- ▶ **استخدم العدد الكهربائية والتوابع وريش الشغل إلخ. وفقاً لهذه التعليمات.** تراعى أثناء ذلك ظروف الشغل والعمل المراد تنفيذه. استخدام العدد الكهربائية لغير الأشغال المخصصة لأجلها قد يؤدي إلى حدوث الحالات الخطيرة.
- ▶ **احرص على إبقاء المقابض وأسطح المسك جافة ونظيفة وخالية من الزيوت والشحوم.** المقابض وأسطح المسك الزلقة لا تتبع التشغيل والتحكم الأمان في العدة في المواقف غير المتوقعة.

الخدمة

- ▶ **احرص على إصلاح عدتك الكهربائية فقط بواسطة العمال المتخصصين وباستعمال قطع الغيار الأصلية فقط.** يضمن ذلك المحافظة على أمان الجهاز.

تحذيرات الأمان للمثاقب

تعليمات الأمان لكافة التطبيقات

- ▶ **احرص على ارتداء واقيات السمع أثناء الثقب الطرقي.** التعرض للضوضاء الناتجة عن ذلك قد يتسبب في فقدان السمع.
- ▶ **استخدم المقبض (المقابض) الإضافي.** فقدان السيطرة على المعدة قد يتسبب في حدوث إصابات.
- ▶ **أمسك بالعدة الكهربائية من أسطح المسك المعزولة عند القيام بأعمال قد يترتب عليها ملامسة ملحق القطع لأسلاك كهربائية غير ظاهرة أو للسلك الخاص بالعدة نفسها.** ملامسة ملحق القطع أو أدوات الربط لسلك «مكهرب» قد يتسبب في مرور التيار في الأجزاء

المثقاب الدقاق		GSB 19-2 REA
عدد اللفات الاسمي		
770	دقيقة ⁻¹	- السرعة الأولى
1990	دقيقة ⁻¹	- السرعة الثانية
51000	دقيقة ⁻¹	عدد الطرق عند عدد اللفات اللاحملي
عزم الدوران الاسمي		
5,7	نيوتن متر	- السرعة الأولى
2,2	نيوتن متر	- السرعة الثانية
●		ضبط عدد اللفات مسبقا
●		دوران يميني/يساري
-		ظرف المثقاب مسنن الطوق
●		ظرف ريش الثقب سريع الربط
●		تثبيت آلي كامل لقفل محور الدوران (Auto-Lock)
43	مم	قطر عنق محور الدوران
أقصى قطر ثقب (السرعة الأولى/الثانية)		
18/13	مم	- الفرسانة
20/15	مم	- الجدران
13/8	مم	- فولاذ
40/25	مم	- خشب
13-1,5	مم	مجال شد ظرف المثقاب
460	لتر/دقيقة	قدرة الشفط
سعة صندوق الغبار (عند الثقب بشكل أفقي)		
130	عملية ثقب	- الثقوب 30 x 6 مم
75	عملية ثقب	- الثقوب 30 x 8 مم
45	عملية ثقب	- الثقوب 30 x 10 مم
الوزن حسب EPTA-Procedure 01:2014		
3,2	كجم	- مع تجهيزة شفط الغبار
2,6	كجم	- دون تجهيزة شفط الغبار
II/□		فئة الحماية

تسري البيانات على جهد اسمي [U] يبلغ 230 فولت. قد تختلف تلك البيانات حسب اختلاف الجهد والطرقات الخاصة بكل دولة.

معلومات الضجيج والاهتزازات

تحدد قيم انبعاث الضجيج طبقا للمواصفة EN 62841-2-1.

يبلغ مستوى الضجيج المعتاد للعدة الكهربائية والمقدر بالفئة A: مستوى ضغط الصوت 95 ديسيبل

والخزف والبلاستيك. تصلح الأجهزة المجهزة بالتحكم الإلكتروني وبالدوران اليميني/اليساري أيضا لربط اللوالب ولقص أسنان اللوالب.

الأجزاء المصورة

يشير ترقيم الأجزاء المصورة إلى رسوم العدة الكهربائية الموجودة في صفحة الرسوم التخطيطية.

- (1) ظرف ريش الثقب سريع الربط
 - (2) مفتاح اختيار ترس السرعة
 - (3) مفتاح التحويل «الثقب/الثقب الطرقي»
 - (4) مفتاح تحويل اتجاه الدوران
 - (5) زر تثبيت مفتاح التشغيل والإطفاء
 - (6) طارة ضبط عدد اللفات مسبقا
 - (7) مفتاح التشغيل والإطفاء
 - (8) زر فك إقفال شافط الغبار
 - (9) صندوق الغبار كامل (نظام المرشح الدقيق)
 - (10) مقبض إضافي (سطح قبض معزول)^(A)
 - (11) زر ضبط دليل التوجيه المتراكب
 - (12) شفط الغبار
 - (13) دليل التوجيه المتراكب
 - (14) زر ضبط محدد العمق
 - (15) حلقة تجميع الغبار للقم الثقب
 - (16) مقبض (مقبض مسك معزول)
 - (17) محدد العمق^(A)
 - (18) لقمة ربط لوالب^(A)
 - (19) حامل لقم عام^(A)
 - (20) مفتاح ظرف ريش الثقب^(A)
 - (21) ظرف ريش الثقب ملولب الطوق^(A)
 - (22) مفتاح سداسي الرأس المجوف^(B)
 - (23) حز دليلي لشفط الغبار
 - (24) عنصر الترشيع (نظام المرشح الدقيق)
 - (25) زر فك إقفال صندوق الغبار
 - (26) غطاء صندوق الغبار
 - (27) محدد العمق (شافط الغبار)^(A)
 - (28) حلقة مطاطية لحلقة تجميع الغبار
 - (29) زر فك إقفال حلقة تجميع الغبار
- (A) لا يتضمن إطار التوريد الاعتيادي التوابع المصورة أو المشروحة. تجد التوابع الكاملة في برنامجنا للتوابع.
- (B) متداولة (غير مرفقة بإطار التوريد)

البيانات الفنية

المثقاب الدقاق		GSB 19-2 REA
رقم الصنف		3 601 A7C 5..
قدرة الدخل الاسمية	واط	900
أقصى قدرة خرج	واط	455
عدد اللفات اللاحملي		
- السرعة الأولى	دقيقة ⁻¹	0-1000
- السرعة الثانية	دقيقة ⁻¹	0-3000

أخرج محدد العمق بحيث تكون المسافة بين رأس ريشة الثقب وطرف محدد العمق مطابقة للمعيار المرغوب X.

أدر قطعة القبيز السفلية بالمقبض الإضافي (10) بعد ذلك في اتجاه حركة عقارب الساعة بإحكام. يجب أن تشير المزوز على محدد العمق (17) إلى الأعلى.

استبدال العدد

◀ **ارتد قفازات واقية عند استبدال العدد.** قد يصبح طرف المثقاب ساخناً جداً عند تنفيذ إجراءات العمل لفترة طويلة.

ظرف المثقاب سريع الشد (انظر الصورة B)

عند عدم الضغط على مفتاح التشغيل والإطفاء (7) يتم تثبيت محور دوران المثقاب. يسمع ذلك باستبدال عدة الشغل بظرف المثقاب بشكل سريع ومريح وبسيط.

افتح ظرف ريش الثقب سريع الربط (1) من خلال إدارته في اتجاه دوران ①، إلى أن تتمكن من تلقيم العدة. قم بتركيب العدة.

أدر جلبة ظرف المثقاب السريع الشد (1) في اتجاه الدوران ② إلى حد عدم سماع صوت التعاشق. يتم تأمين قفل ظرف ريش الثقب بذلك أوتوماتيكياً.

يتمة إعادة فك الإقفال عند إدارة الجلبة إلى الاتجاه المعاكس من أجل خلع العدة.

ظرف المثقاب المسنن الطوق (راجع الصورة C)

افتح ظرف المثقاب المسنن الطوق (21) من خلال إدارته إلى أن تتمكن من تلقيم العدة. قم بتركيب عدة الشغل.

ثبت مفتاح ظرف ريش الثقب (20) في الفجوات المخصصة بظرف ريش الثقب المسنن الطوق (21) وأحكام شد العدة بشكل متوازن.

عدد ربط اللوالب

عند استخدام لقم ربط اللوالب (18)، ينبغي استعمال حامل لقم عام (19) دائماً. استخدم فقط لقم ربط اللوالب التي تلائم رأس اللولب.

لغرض ربط البراغي قم دائماً بضبط مفتاح التحويل «الثقب/الثقب الطرقي» (3) على الرمز «الثقب».

استبدال ظرف ريش الثقب

◀ **اسحب القابض من مقبس الشبكة الكهربائية قبل إجراء أي عمل على العدة الكهربائية.**

فك ظرف ريش الثقب (انظر الصورة D)

فك المقبض الإضافي واضبط مفتاح اختيار ترس السرعة (2) على الوضع المتوسط بين ترس السرعة الأولى والثانية.

أدخل مسمار فولاذي بقطر 4 مم وطول 50 مم تقريباً في الثقب الكائن على عنق محور الدوران من أجل تثبيت محور الدوران.

اربط مفتاح سداسي الرأس المجوف (22) بإدخال ساقه القصيرة في طرف ريش الثقب سريع الربط (1).

ضع العدة الكهربائية على سطح ارتكاز ثابت، مثلاً طاولة عمل. أمسك العدة الكهربائية بإحكام وحل ظرف ريش الثقب سريع الربط (1) من خلال إدارة المفتاح سداسي الرأس المجوف (22) باتجاه الدوران

(A)؛ مستوى قدرة الصوت 106 ديسيبل (A). نسبة التفاوت = 5K ديسيبل.

قم بارتداء واقية للأذنين.

قيم انبعاث الاهتزازات الإجمالية a_{H} (مجموع المتجهات بثلاثة اتجاهات) ونسبة التفاوت K محسوبة طبقاً للمواصفة EN 62841-2-1.

ثقب المعدن: $a_{\text{H}}=3,0$ م/ث²، $1,5K=$ م/ث².
الثقب المرفق بالطرق في الخرسانة: $a_{\text{H}}=15$ م/ث²، $2,0K=$ م/ث².

ربط اللوالب: $a_{\text{H}}<2,5$ م/ث²، $1,5K=$ م/ث².

قص أسنان اللوالب: $a_{\text{H}}<2,5$ م/ث²، $1,5K=$ م/ث².

تم قياس مستوى الاهتزازات ومستوى الضوضاء المذكورين في التعليمات هذه حسب أسلوب قياس معيّر، حيث يمكن استخدام هذا القياس لمقارنة العدد الكهربائية بعضها ببعض. كما أنه ملائم لتقدير انبعاث الاهتزازات والضوضاء بشكل مبدئي.

يمثل مستوى الضوضاء ومستوى الاهتزازات المذكوران الاستخدامات الأساسية للعدة الكهربائية. في حالة استعمال العدة الكهربائية لاستخدامات أخرى بعدد شغل مخالفة أو بصيانة غير كافية، فقد تختلف قيم انبعاث الاهتزازات والضوضاء. وقد يزيد ذلك من انبعاث الاهتزازات والضوضاء طوال فترة التشغيل بشكل واضح.

كما ينبغي من أجل تقدير انبعاث الاهتزازات والضوضاء بشكل دقيق أن يتم مراعاة الأوقات التي يطفأ خلالها الجهاز أو التي يعمل بها ولكن دون تشغيله بحمل فعال. وقد يخفف ذلك انبعاث الاهتزازات والضوضاء بشكل واضح عبر كامل مدة العمل.

حدد إجراءات أمان إضافية لوقاية المستخدم من تأثير الاهتزازات، مثلاً: صيانة العدة الكهربائية وعدد الشغل، تدفئة اليدين وتنظيم أوقات العمل.

التركيب

◀ **اسحب القابض من مقبس الشبكة الكهربائية قبل إجراء أي عمل على العدة الكهربائية.**

مقبض إضافي

◀ **استخدم العدة الكهربائية فقط مع المقبض الإضافي (10).**

يمكنك ضبط المقبض الإضافي (10) على 12 موضع للوصول إلى وضع عمل آمن ومريح.

أدر القطعة السفلية بالمقبض الإضافي (10) في اتجاه الدوران ① وادفع المقبض الإضافي (10) إلى الأمام إلى الحد الذي يسمح لك بأرجحته إلى الوضع المرغوب. اسحب المقبض الإضافي (10) بعد ذلك إلى الخلف وأدر القطعة السفلية في اتجاه الدوران ② بإحكام.

ضبط عمق الثقب (انظر الصورة A)

باستخدام محدد العمق (27) يمكن تحديد عمق الثقب المرغوب X.

أدر قطعة القبيز السفلية بالمقبض الإضافي (10) بعكس اتجاه حركة عقارب الساعة، وقم بتركيب محدد العمق (17).

- يجوز أن تبرز عدة الشغل المستخدمة عن حلقة تجميع الغبار (15).
- انتبه إلى ارتكاز تجهيز الشفط على قطعة الشغل أو الجدار بتساطح. حيث يسهل ذلك من أن تكون زاوية الثقب قائمة دائما.
- اشغل دائما بعدد الدوران الأقصى عند استخدام تجهيز الشفط.
- اسحب دائما لقمة التثقيب عن الثقب أولا بعد التوصل إلى عمق الثقب المرغوب ثم اطفئ آلة التثقيب المرفق بالطرق.
- تفحص حالة عنصر الترشيع بشكل منتظم (24). استبدل عنصر الترشيع فوراً في حال تعرضه لأضرار.

خلع/تركيب شافط الغبار (انظر الصورة E)

- من أجل فك شافط الغبار يضغط زر فك الإقفال (8) وينزع شافط الغبار بسميه للأمام.
- لعمل ذلك اقلب المقبض الإضافي (10) إلى الجانب عند الضرورة.
- لتركيب شافط الغبار (12) حركه مع الحزوز الدليلية (23) إلى الماضن بالعدة الكهربائية إلى أن يتعاشق بصوت مسموع.

الشفط الذاتي مع استخدام صندوق الغبار (انظر الصورة G)

- يمكن فحص مستوى امتلاء صندوق الغبار (9) بسهولة من خلال الغطاء (26) الشفاف.
- افرج صندوق الغبار بالوقت المناسب، وإلا فقد يسيء ذلك بقدرة أداء الشفط.
- لخلع صندوق الغبار (9) اضغط زر فك الإقفال (25) واسحب صندوق الغبار من شافط الغبار (12) إلى أسفل.
- قبل فتح صندوق الغبار (9) يفضل أن تدقه بخفة على أرضية صلبة، من أجل حل الغبار عن عنصر الترشيع (24).
- افتح الغطاء (26) بضغطه من الجانب السفلي وأفرغ صندوق الغبار.
- افحص عنصر الترشيع (24) من حيث وجود أضرار. استبدله فوراً في حال تلفه.
- اغلق الغطاء (26) وادفع صندوق الغبار من الأسفل في شافط الغبار 13 إلى أن يتعاشق بصوت مسموع.

تغيير عنصر الترشيع (انظر الصورة H)

- من أجل المحافظة على أداء المرشح يجب أن يستبدل عنصر الترشيع (24) بصندوق الغبار (9) بعد حوالي 15 ساعة تشغيل تقريبا.
- لخلع صندوق الغبار (9) اضغط زر فك الإقفال (25) واسحب صندوق الغبار من شافط الغبار (12) إلى أسفل.
- اخلع عنصر الترشيع (24) إلى الأعلى وقم بتركيب عنصر ترشيع جديد.
- ادفع صندوق الغبار من الأسفل مرة أخرى في شافط الغبار (12) إلى أن يتعاشق بصوت مسموع.
- إرشاد:** استبدل عنصر الترشيع (24) فوراً في حالة تعرضه للضرر (على سبيل المثال ثقب أو تلف بمادة العزل اللينة). قد يتم تتعرض العدة الكهربائية للضرر عند الشغل بعنصر ترشيع تالف. قم بتغيير عنصر الترشيع (24) أيضا إن كان أداء الشفط غير كافيا حتى إن كان صندوق الغبار (9) فارغا.

- يتم حل طرف ريش الثقب سريع الربط المنحصر من خلال طريقة خفيفة على الساق الطويلة الخاصة بالمرشح سداسي الرأس المجوف (22). اخلع المرشح سداسي الرأس المجوف من طرف ريش الثقب سريع الربط، وقم بفك طرف ريش الثقب سريع الربط بشكل تام.

- يتم الفك بالعدد الكهربائية المجهزة بظرف المثقاب المسنن الطوق بنفس الطريقة المذكورة أعلاه.
- يمكن تركيز مفتاح ربط مفتوح الفك (عرض المفتاح 19 مم) على طرف المثقاب بدلا من مفتاح الربط سداسي الرأس المجوف (22).

تركيب طرف ريش الثقب (انظر الصورة E)

- يتجه تركيب طرف ريش الثقب سريع الربط/المسنن الطوق بالتسلسل المعاكس.

⚠ يجب أن يتم شد طرف ريش الثقب بعزم دوران شد يبلغ 50-55 نيوتن متر تقريبا.

- ◀ انزع المسمار الفولاذي عن الثقب بعد إنهاء تركيب طرف المثقاب.

شفط الأتربة/وعاء الغبار

- إن غبار بعض المواد كالطلاء الذي يحتوي على الرصاص، وبعض أنواع الخشب والفولاذ والمعادن، قد تكون مضرّة بالصحة. إن ملامسة أو استنشاق غبار قد يؤدي إلى أعراض حساسية و/أو إلى أمراض الجهاز التنفسي لدى المستخدم أو لدى الأشخاص المتواجدين على مقربة من المكان.
- تعتبر بعض الأغبرة المعينة، كأغبرة البلوط والزان، مسببة للسرطان، ولا سيما عند الارتباط بالمواد الإضافية لمعالجة الخشب (ملع حامض الكروميك، المواد الحافظة للخشب). يجوز أن يتم معالجة المواد التي تحتوي على الأسبستوس من قبل العمال المتخصصين فقط دون غيرهم.

- استخدم شافطة غبار ملائمة للمادة قدر الإمكان.
- حافظ على تهوية مكان الشغل بشكل جيد.
- ينصح بارتداء قناع وقاية للتنفس بفتحة المرشح P2. تراعى الأحكام السارية في بلدكم بالنسبة للمواد المرغوب معالجتها.

◀ استخدم تجهيز الشفط فقط عند معالجة

- الخرسانة والطوب وحجر الجدران. قد تتسبب نشارة الخشب والبلاستيك في حدوث انسدادات بسيطة.

- ◀ تنبيه لخطر الحريق! لا تعالج خامات معدنية بينما تجهيز الشفط موصلة. قد تتسبب البرادة المعدنية في اشتعال أجزاء من وعاء الغبار.

- ◀ تجنب تراكم الغبار بمكان العمل. يجوز أن تشتعل الأغبرة بسهولة.

- إرشاد:** لا تستخدم شافط الغبار (12) عند ربط اللوالب أو قص أسنان اللوالب.

- يرتد شافط الغبار (12) عند العمل بحيث يحافظ على إبقاء حلقة تجميع الغبار دائما على مقربة من السطح. يتم تشغيل وإطفاء شافط الغبار مع العدة الكهربائية بشكل آلي.

- تراعى الملاحظات التالية للحصول على نتيجة شفط مثالية:

دوران اليسار: لغرض الفك أو خلخ اللوالب والصواميل، حرك مفتاح تحويل اتجاه الدوران (4) الموجود على اليسار إلى أعلى، والموجود على اليمين إلى أسفل في نفس الوقت.

ضبط نوع التشغيل

الثقب وربط اللوالب

اضبط مفتاح التحويل (3) على الرمز «ثقب».



الثقب المرفق بالطرق

اضبط مفتاح التحويل (3) على الرمز «الثقب المرفق بالطرق».



يُثبت مفتاح التحويل (3) بصوت مسموع، ويمكن الضغط عليه أثناء دوران المحرك.

اختيار ترس السرعة ميكانيكياً

◀ **يجوز تغيير وضع مفتاح اختيار ترس السرعة (2) عندما تشتغل العدة الكهربائية بشكل بطيء. ويجب ألا يتم ذلك عند توقف العدة الكهربائية أو أثناء التحويل الكامل أو أثناء عدد الدوران الأقصى.**

يمكنك بواسطة مفتاح اختيار ترس السرعة (2) أن تختار مجالين اثنين لسرعة الدوران مسبقاً.

ترس السرعة A:

1 2 مجال عدد دوران منخفض، للشغل بقطر تثقيب كبير أو لربط اللوالب.



ترس السرعة B:

1 2 مجال عدد لفات مرتفع للعلم بقطر ثقب صغير.



إذا لم يمكن تحريك مفتاح اختيار ترس السرعة (2) حتى المصدر، فأدر محور الدوران بلقمة التثقيب بعض الشيء.

التشغيل والإطفاء

لغرض تشغيل العدة الكهربائية اضغط على مفتاح التشغيل والإطفاء (7) وحافظ على إبقائه مضغوطاً. لغرض تثبيت مفتاح التشغيل/الإطفاء المضغوط (7)، اضغط على زر التثبيت (5).

لغرض إطفاء العدة الكهربائية، اترك مفتاح التشغيل والإطفاء (7) أو إذا كان مثبتاً عن طريق زر التثبيت (5)، اضغط على مفتاح التشغيل والإطفاء (7) لوهلة قصيرة ثم اتركه.

قابض فرط التحميل

تم تجهيز العدة الكهربائية بقابض لفرط التحميل (مضادة للدوران) للحد من عزم رد الفعل العالية.



◀ **تفصل قوة الدفع عن محور دوران المثقاب عندما تنقسط أو تتكبد عدة التشغيل. أمسك العدة الكهربائية دائماً بكلتا اليدين بإحكام وقف بثبات بسبب القوى الناتجة عن ذلك.**

◀ **اطفئ العدة الكهربائية وقم ببل عدة الشغل عند انحصار العدة الكهربائية. تشكل عزم رد فعل عالية عند تشغيل عدة ثقب مستحسبة.**

ضبط عدد اللفات/عدد الطرقات

يمكنك أن تتحكم بعدد اللفات/عدد الطرقات بالعدة الكهربائية قيد التشغيل دون تدريج، حسب مدى الضغط على مفتاح التشغيل والإطفاء (7).

ضبط عمق الثقب (انظر الصورة A)

باستخدام محدد العمق (27) يمكن تحديد عمق الثقب المرغوب X.

أدخل لقمة ثقب في طرف المثقاب وقم بشد لقمة الثقب، انظر فقرة تغيير العدد. ركز العدة الكهربائية بإحكام دون تشغيلها على السطح المرغوب ثقبه، إلى أن تتركز لقمة الثقب على السطح.

اضغط مفتاح ضبط محدد العمق (14) وحرك محدد العمق (27) بحيث يطابق البعد المبين في الصورة X عمق الثقب المرغوب.

مواومة شاطئ الغبار مع طول العدة (انظر الصورة J)

يمكن مواومة طول شاطئ الغبار (12) للعمل بشكل مربع بعدد الشغل القصيرة.

اضغط على الزر (11) وادفع الدليل المتراكب (13) بينما الزر مضغوط إلى داخل شاطئ الغبار (12) إلى أن تتواجد حلقة تجميع الغبار على مقربة من رأس عدة الشغل.

من أجل إعادة مد الدليل المتراكب اضغط على الزر (11) مرة أخرى.

حلقة تجميع الغبار للقم الثقب (انظر الصورة K)

يمكن تجهيز حلقة تجميع الغبار للقم الثقب (15) بحلقات مطاطية (28) بمقاسين. استخدم للثقوب بقطر يبلغ إلى حد 12 مم الحلقة المطاطية K1 بفتحة صغيرة، وللثقوب الكبيرة الحلقة المطاطية K2 بفتحة كبيرة.

لتغيير الحلقة المطاطية (28) اضغطها إلى الخلف لإخراجها من حلقة تجميع الغبار (15). من أجل تركيبها تركز على حلقة تجميع الغبار وتضغط عليها لتثبيتها بإحكام.

لتغيير حلقة تجميع الغبار (15) اضغط زر فك الإقفال (29) واسحب حلقة تجميع الغبار من شاطئ الغبار. للتركيب اضغط حلقة تجميع الغبار (15) من الأعلى إلى داخل شاطئ الغبار (12) إلى أن يتعاشق بصوت مسموع.

التشغيل

بدء التشغيل

◀ **يراعى جهد الشبكة الكهربائية! يجب أن يتطابق جهد منبع التيار مع البيانات المذكورة على لوحة صنع العدة الكهربائية. يمكن أن يتم تشغيل العدد الكهربائية المميزة بعلامة 230 فلت في مقبس 220 فلت أيضاً.**

ضبط اتجاه الدوران (انظر الصورة L - M)

◀ **لا تضغط على مفتاح تحويل اتجاه الدوران (4) إلا والعدة الكهربائية متوقفة.**

يمكنك أن تغير اتجاه دوران العدة الكهربائية (4) بواسطة مفتاح تغيير اتجاه الدوران. إلا أنه لا يمكن تغييره عندما يكون مفتاح التشغيل والإطفاء (7) مضغوطاً.

دوران اليمين: لغرض الثقب وإدخال اللوالب حرك مفتاح تحويل اتجاه الدوران (4) الموجود على اليسار إلى أسفل، والموجود على اليمين إلى أعلى في نفس الوقت.

يلزم ذكر رقم الصنف ذو الفئات العشر وفقاً للوحة صنع المنتج عند إرسال أية استفسارات أو طلبيات قطع غيار.

الجزائر

سيستال
منطقة الحدادين الصناعية
06000 بناية
هاتف: +213 (0) 982 400 991/2
فاكس: +213 (0) 3 420 1569
بريد إلكتروني: sav@siestal-dz.com

البحرين

شركة الجفلي وإخوانه للمعدات الفنية.
مملكة البحرين، العكر - بلوك 0624 - شارع 2403 -
مبنى 0055D
الهاتف: +97317704537
فاكس: +973177045257
البريد الإلكتروني: h.berjas@eajb.com.sa

مصر

RBEGL-LLC
22 كمال الدين حسين
شيراتون هليوبوليس
11799 القاهرة
البريد الإلكتروني:
boschegypt.powertools@eg.bosch.com

العراق

Sahba Technology Group
شارع مطار المثنى
بغداد
هاتف بغداد: +964 (0) 7 901 930366
هاتف دبي: +971 (0) 4 422 1898
البريد الإلكتروني: duraid@sahbatechnology.com

الأردن

شركة الجذور العربية Roots Arabia - الأردن
شارع الحرية، المقابلين
عمان 11623، الأردن
صندوق بريد: 110068
هاتف: +962 6 4398990
البريد الإلكتروني: bosch@rootsjordan.com

الكويت

منطقة الشويخ الصناعية، مبنى 1، قطعة 16، شارع
رقم 3
صندوق بريد صندوق 164 - 13002 الصفاة
هاتف: 24810844
فاكس: 24810879
بريد إلكتروني: josephkr@aaalmutawa.com

لبنان

طحيني هنا وشركاه ش.ذ.م.م.
صندوق بريد صندوق 449-90
جديده
الدورة-بيروت
هاتف: +9611255211
بريد إلكتروني: service-pt@tehini-hana.com

المغرب

Robert Bosch Morocco SARL
53، شارع الملازم محمد محروود
20300 الدار البيضاء

يؤدي الضغط الخفيف على مفتاح التشغيل والإطفاء (7) إلى عدد لفات/طرقات منخفض. ويرتفع عدد اللفات/الطرقات بزيادة الضغط.

ضبط عدد اللفات/الطرقات مسبقاً

يمكنك بواسطة عجلة ضبط عدد اللفات مسبقاً (6) ضبط عدد اللفات/عدد الطرق المطلوب مسبقاً حتى أثناء التشغيل.

يتعلق عدد اللفات/عدد الطرق المطلوب بخامة الشغل وبظروف العمل ويمكن التوصل إليه عن طريق التجربة العملية.

إرشادات العمل

◀ اسحب القابس من مقبس الشبكة الكهربائية قبل إجراء أي عمل على العدة الكهربائية.

◀ ضع العدة الكهربائية على اللولب/الصامولة فقط عندما تكون مطفاةً. إن عدد الشغل الدوارة قد تنزلق.

بعد العمل لفترة طويلة بعدد لفات منخفض ينبغي إدارة العدة الكهربائية لمدة 3 دقائق بأقصى عدد لفات من أجل تبريدها.

لتشب البلاط اضبط مفتاح التحويل (3) على الرمز «ثقب». بعد ثقب البلاطة اضبط مفتاح التحويل على الرمز «الثقب المرفق بالطرق» للعمل المرفق بالطرق.

استخدم لقم التثقيب المصنوعة من المعدن الصلب عند إجراء الأشغال في الخرسانة والحجر والجران. استخدم عند تثقيب المعادن فقط لقم التثقيب HSS السليمة والمشموذة (HSS= الفولاذ العالي القدرة والسريع القطع). يضمن برنامج توابع Bosch الجودة المناسبة.

باستخدام جهاز شحذ ريش الثقب (التوابع)، يمكن شحذ ريش الثقب الملزونية بقطر يصل من 2,5-10 مم بلا عناء.

الصيانة والخدمة

الصيانة والتنظيف

◀ اسحب القابس من مقبس الشبكة الكهربائية قبل إجراء أي عمل على العدة الكهربائية.

◀ للعمل بشكل جيد وأمن حافظ دائماً على نظافة العدة الكهربائية وفتحات التهوية.

إذا تطلب الأمر استبدال خط الإمداد، فينبغي أن يتم ذلك من قبل شركة Bosch أو من قبل مركز خدمة الزبائن المعتمد لشركة Bosch للعدد الكهربائية، لتجنب التعرض للمخاطر.

خدمة العملاء واستشارات الاستخدام

يجب مركز خدمة العملاء على الأسئلة المتعلقة بإصلاح المنتج وصيانتته، بالإضافة لقطع الغيار. تجد الرسوم التفصيلية والمعلومات الخاصة بقطع الغيار في الموقع: www.bosch-pt.com

يسر فريق Bosch لاستشارات الاستخدام مساعدتك إذا كان لديك أي استفسارات بخصوص منتجاتنا وملحقاتها.

التخلص من العدة الكهربائية

ينبغي تسليم العدد الكهربائية والتوابع والعبوة إلى مركز معالجة النفايات بطريقة محافظة على البيئة.

لا ترم العدد الكهربائية ضمن النفايات المنزلية.



فقط لدول الاتحاد الأوروبي:

حسب التوجيه الأوروبي 2012/19/EU بصدد الأجهزة الكهربائية والإلكترونية القديمة وتطبيقه ضمن القانون المحلي، ينبغي جمع العدد الكهربائية التي لم تعد صالحة للاستعمال بشكل منفصل، وتسليمها لمركز يقوم بإعادة استغلالها بطريقة محافظة على البيئة.

Deutsch

Sicherheitshinweise

Allgemeine Sicherheitshinweise für Elektrowerkzeuge

Lesen Sie alle Sicherheitshinweise, Anweisungen, Bebilderungen



und technischen Daten, mit denen dieses Elektrowerkzeug versehen ist. Versäumnisse bei der Einhaltung der Sicherheitshinweise und nachfolgenden Anweisungen können elektrischen Schlag, Brand und/oder schwere Verletzungen verursachen.

Bewahren Sie alle Sicherheitshinweise und Anweisungen für die Zukunft auf.

Der in den Sicherheitshinweisen verwendete Begriff „Elektrowerkzeug“ bezieht sich auf netzbetriebene Elektrowerkzeuge (mit Netzleitung) und auf akkubetriebene Elektrowerkzeuge (ohne Netzleitung).

Arbeitsplatzsicherheit

- ▶ **Halten Sie Ihren Arbeitsbereich sauber und gut beleuchtet.** Unordnung oder unbeleuchtete Arbeitsbereiche können zu Unfällen führen.
- ▶ **Arbeiten Sie mit dem Elektrowerkzeug nicht in explosionsgefährdeter Umgebung, in der sich brennbare Flüssigkeiten, Gase oder Stäube befinden.** Elektrowerkzeuge erzeugen Funken, die den Staub oder die Dämpfe entzünden können.
- ▶ **Halten Sie Kinder und andere Personen während der Benutzung des Elektrowerkzeugs fern.** Bei Ablenkung können Sie die Kontrolle über das Elektrowerkzeug verlieren.

Elektrische Sicherheit

- ▶ **Der Anschlussstecker des Elektrowerkzeuges muss in die Steckdose passen. Der Stecker darf in keiner Weise verändert werden. Verwenden Sie keine Adapterstecker gemeinsam mit geschützten Elektrowerk-**

الهاتف: +212 5 29 31 43 27
البريد الإلكتروني: sav.outillage@ma.bosch.com

عمان

ملتن للتجارة والمقاولات ش.م.م
صندوق بريد 131، روى، مسقط
الكود البريدي: 112، سلطنة عمان
هاتف: +968 2479 4035/4089/4901
جوال: +968-91315465
فاكس: +968 2479 4058
البريد الإلكتروني: sudhirkumar@malatan.net

قطر

الدولية لطلول البناء ش.م.م
صندوق بريد صندوق 51،
هاتف الدوحة: +974 40065458
فاكس: +974 4453 8585
بريد إلكتروني: csd@icsdoha.com

المملكة العربية السعودية

شركة الجفلي للمعدات الفنية (جيتكو)
صندوق بريد: 1049 - جدة 21431 - المملكة العربية
السعودية
جدة: 00966 (0) 12 692 0770 - داخلي 433
الرياض: 00966 (0) 11 409 3976 -
داخلي-30/34/39
الدمام: 00966 (0) 13 833 9565
البريد الإلكتروني: M.Zreik@eajb.com.sa

سوريا

مؤسسة دلال للمعدات الكهربائية
دمشق. شارع البرامكة - شارع بن عامر
هاتف: +963112241006 أو 009631122414009
الجوال: 00963991141005
البريد الإلكتروني: rita.dallal@hotmail.com

تونس

روبرت بوش تونس ش.ذ.م.م
7 زنقة ابن بطوطة Z.I. سان جوبان
مقرين رياض
2014 ابن عروس
هاتف: +216 71 427 496/879
فاكس: +216 71 428 621
بريد إلكتروني: sav.outillage@tn.bosch.com

الإمارات العربية المتحدة

المركزية للسيارات والمعدات،
صندوق بريد 26255، دبي
دبي: 00971 (0) 4 3090920/3090930
أبو ظبي: 00971 (0) 2 4017745
الشارقة: 00971 (0) 6 5932777
العين: 00971 (0) 3 7157419
البريد الإلكتروني:
Mallappa.Madari@centrallmotors.ae

اليمن

مؤسسة أبو الرجال التجارية
صنعاء، شارع الزبيبي. أمام مبنى البرلمان الجديد
هاتف: +967-1-202010
فاكس: +967-1-471917
بريد إلكتروني: /tech-tools@abualrejal.com
yahya@abualrejal.com

werkzeug in unerwarteten Situationen besser kontrollieren.

- ▶ **Tragen Sie geeignete Kleidung. Tragen Sie keine weite Kleidung oder Schmuck. Halten Sie Haare und Kleidung fern von sich bewegenden Teilen.** Lockere Kleidung, Schmuck oder lange Haare können von sich bewegenden Teilen erfasst werden.
- ▶ **Wenn Staubabsaug- und -auffangeinrichtungen montiert werden können, sind diese anzuschließen und richtig zu verwenden.** Verwendung einer Staubabsaugung kann Gefährdungen durch Staub verringern.
- ▶ **Wiegen Sie sich nicht in falscher Sicherheit und setzen Sie sich nicht über die Sicherheitsregeln für Elektrowerkzeuge hinweg, auch wenn Sie nach vielfachem Gebrauch mit dem Elektrowerkzeug vertraut sind.** Achtloses Handeln kann binnen Sekundenbruchteilen zu schweren Verletzungen führen.

Verwendung und Behandlung des Elektrowerkzeugs

- ▶ **Überlasten Sie das Elektrowerkzeug nicht. Verwenden Sie für Ihre Arbeit das dafür bestimmte Elektrowerkzeug.** Mit dem passenden Elektrowerkzeug arbeiten Sie besser und sicherer im angegebenen Leistungsbereich.
- ▶ **Benutzen Sie kein Elektrowerkzeug, dessen Schalter defekt ist.** Ein Elektrowerkzeug, das sich nicht mehr ein- oder ausschalten lässt, ist gefährlich und muss repariert werden.
- ▶ **Ziehen Sie den Stecker aus der Steckdose und/oder entfernen Sie einen abnehmbaren Akku, bevor Sie Geräteeinstellungen vornehmen, Einsatzwerkzeugteile wechseln oder das Elektrowerkzeug weglegen.** Diese Vorsichtsmaßnahme verhindert den unbeabsichtigten Start des Elektrowerkzeuges.
- ▶ **Bewahren Sie unbenutzte Elektrowerkzeuge außerhalb der Reichweite von Kindern auf. Lassen Sie keine Personen das Elektrowerkzeug benutzen, die mit diesem nicht vertraut sind oder diese Anweisungen nicht gelesen haben.** Elektrowerkzeuge sind gefährlich, wenn sie von unerfahrenen Personen benutzt werden.
- ▶ **Pflegen Sie Elektrowerkzeuge und Einsatzwerkzeug mit Sorgfalt. Kontrollieren Sie, ob bewegliche Teile einwandfrei funktionieren und nicht klemmen, ob Teile gebrochen oder so beschädigt sind, dass die Funktion des Elektrowerkzeuges beeinträchtigt ist. Lassen Sie beschädigte Teile vor dem Einsatz des Gerätes reparieren.** Viele Unfälle haben ihre Ursache in schlecht gewarteten Elektrowerkzeugen.
- ▶ **Halten Sie Schneidwerkzeuge scharf und sauber.** Sorgfältig gepflegte Schneidwerkzeuge mit scharfen Schneidkanten verklemmen sich weniger und sind leichter zu führen.
- ▶ **Verwenden Sie Elektrowerkzeug, Zubehör, Einsatzwerkzeuge usw. entsprechend diesen Anweisungen. Berücksichtigen Sie dabei die Arbeitsbedingungen und die auszuführende Tätigkeit.** Der Gebrauch von Elektrowerkzeugen für andere als die vorgesehenen Anwendungen kann zu gefährlichen Situationen führen.

zeugen. Unveränderte Stecker und passende Steckdosen verringern das Risiko eines elektrischen Schlages.

- ▶ **Vermeiden Sie Körperkontakt mit geerdeten Oberflächen wie von Rohren, Heizungen, Herden und Kühlschränken.** Es besteht ein erhöhtes Risiko durch elektrischen Schlag, wenn Ihr Körper geerdet ist.
- ▶ **Halten Sie Elektrowerkzeuge von Regen oder Nässe fern.** Das Eindringen von Wasser in ein Elektrowerkzeug erhöht das Risiko eines elektrischen Schlages.
- ▶ **Zweckentfremden Sie die Anschlussleitung nicht, um das Elektrowerkzeug zu tragen, aufzuhängen oder um den Stecker aus der Steckdose zu ziehen. Halten Sie die Anschlussleitung fern von Hitze, Öl, scharfen Kanten oder sich bewegenden Teilen.** Beschädigte oder verwickelte Anschlussleitungen erhöhen das Risiko eines elektrischen Schlages.
- ▶ **Wenn Sie mit einem Elektrowerkzeug im Freien arbeiten, verwenden Sie nur Verlängerungskabel, die auch für den Außenbereich geeignet sind.** Die Anwendung einer für den Außenbereich geeigneten Verlängerungsleitung verringert das Risiko eines elektrischen Schlages.
- ▶ **Wenn der Betrieb des Elektrowerkzeuges in feuchter Umgebung nicht vermeidbar ist, verwenden Sie einen Fehlerstromschutzschalter.** Der Einsatz eines Fehlerstromschutzschalters vermindert das Risiko eines elektrischen Schlages.

Sicherheit von Personen

- ▶ **Seien Sie aufmerksam, achten Sie darauf, was Sie tun, und gehen Sie mit Vernunft an die Arbeit mit einem Elektrowerkzeug. Benutzen Sie kein Elektrowerkzeug, wenn Sie müde sind oder unter dem Einfluss von Drogen, Alkohol oder Medikamenten stehen.** Ein Moment der Unachtsamkeit beim Gebrauch des Elektrowerkzeuges kann zu ernsthaften Verletzungen führen.
- ▶ **Tragen Sie persönliche Schutzausrüstung und immer eine Schutzbrille.** Das Tragen persönlicher Schutzausrüstung, wie Staubmaske, rutschfeste Sicherheitsschuhe, Schutzhelm oder Gehörschutz, je nach Art und Einsatz des Elektrowerkzeuges, verringert das Risiko von Verletzungen.
- ▶ **Vermeiden Sie eine unbeabsichtigte Inbetriebnahme. Vergewissern Sie sich, dass das Elektrowerkzeug ausgeschaltet ist, bevor Sie es an die Stromversorgung und/oder den Akku anschließen, es aufnehmen oder tragen.** Wenn Sie beim Tragen des Elektrowerkzeuges den Finger am Schalter haben oder das Gerät eingeschaltet an die Stromversorgung anschließen, kann dies zu Unfällen führen.
- ▶ **Entfernen Sie Einstellwerkzeuge oder Schraubenschlüssel, bevor Sie das Elektrowerkzeug einschalten.** Ein Werkzeug oder Schlüssel, der sich in einem drehenden Geräteteil befindet, kann zu Verletzungen führen.
- ▶ **Vermeiden Sie eine abnormale Körperhaltung. Sorgen Sie für einen sicheren Stand und halten Sie jederzeit das Gleichgewicht.** Dadurch können Sie das Elektro-

mit Elektroleitungen kann zu Feuer und elektrischem Schlag führen. Beschädigung einer Gasleitung kann zur Explosion führen. Eindringen in eine Wasserleitung verursacht Sachbeschädigung oder kann einen elektrischen Schlag verursachen.

- ▶ **Warten Sie, bis das Elektrowerkzeug zum Stillstand gekommen ist, bevor Sie es ablegen.** Das Einsatzwerkzeug kann sich verhaken und zum Verlust der Kontrolle über das Elektrowerkzeug führen.

Produkt- und Leistungsbeschreibung

Lesen Sie alle Sicherheitshinweise und Anweisungen. Versäumnisse bei der Einhaltung der Sicherheitshinweise und Anweisungen können elektrischen Schlag, Brand und/oder schwere Verletzungen verursachen.

Bitte beachten Sie die Abbildungen im vorderen Teil der Betriebsanleitung.



Bestimmungsgemäßer Gebrauch

Das Elektrowerkzeug ist bestimmt zum Schlagbohren in Ziegel, Beton und Gestein, sowie zum Bohren in Holz, Metall, Keramik und Kunststoff. Geräte mit elektronischer Regelung und Rechts-/Linkslauf sind auch geeignet zum Schrauben und Gewindeschneiden.

Abgebildete Komponenten

Die Nummerierung der abgebildeten Komponenten bezieht sich auf die Darstellung des Elektrowerkzeuges auf der Grafikkarte.

- (1) Schnellspannbohrfutter
- (2) Gangwahlschalter
- (3) Umschalter „Bohren/Schlagbohren“
- (4) Drehrichtungsumschalter
- (5) Feststelltaste für Ein-/Ausschalter
- (6) Stellrad Drehzahlvorwahl
- (7) Ein-/Ausschalter
- (8) Entriegelungstaste der Staubabsaugung
- (9) Staubbox komplett (Microfilter-System)
- (10) Zusatzgriff (isolierte Grifffläche)^{A)}
- (11) Taste für Einstellung der Teleskopführung
- (12) Staubabsaugung
- (13) Teleskopführung
- (14) Taste für Tiefenanschlageinstellung
- (15) Staubfangring für Bohrer
- (16) Handgriff (isolierte Grifffläche)
- (17) Tiefenanschlag^{A)}
- (18) Schrauberbit^{A)}
- (19) Universalbithalter^{A)}
- (20) Bohrfutterschlüssel^{A)}

- ▶ **Halten Sie Griffe und Griffflächen trocken, sauber und frei von Öl und Fett.** Rutschige Griffe und Griffflächen erlauben keine sichere Bedienung und Kontrolle des Elektrowerkzeuges in unvorhergesehenen Situationen.

Service

- ▶ **Lassen Sie Ihr Elektrowerkzeug nur von qualifiziertem Fachpersonal und nur mit Original-Ersatzteilen reparieren.** Damit wird sichergestellt, dass die Sicherheit des Elektrowerkzeuges erhalten bleibt.

Sicherheitshinweise für Bohrmaschinen

Sicherheitshinweise für alle Arbeiten

- ▶ **Tragen Sie Gehörschutz beim Schlagbohren.** Die Einwirkung von Lärm kann Gehörverlust bewirken.
- ▶ **Benutzen Sie den Zusatzgriff.** Der Verlust der Kontrolle kann zu Verletzungen führen.
- ▶ **Halten Sie das Elektrowerkzeug an den isolierten Griffflächen, wenn Sie Arbeiten ausführen, bei denen das Einsatzwerkzeug oder die Schrauben verborgene Stromleitungen oder die eigene Anschlussleitung treffen kann.** Der Kontakt mit einer spannungsführenden Leitung kann auch metallene Geräteteile unter Spannung setzen und zu einem elektrischen Schlag führen.

Sicherheitshinweise bei Verwendung langer Bohrer

- ▶ **Arbeiten Sie auf keinen Fall mit einer höheren Drehzahl als der für den Bohrer maximal zulässigen Drehzahl.** Bei höheren Drehzahlen kann sich der Bohrer leicht verbiegen, wenn er sich ohne Kontakt mit dem Werkstück frei drehen kann, und zu Verletzungen führen.
- ▶ **Beginnen Sie den Bohrvorgang immer mit niedriger Drehzahl und während der Bohrer Kontakt mit dem Werkstück hat.** Bei höheren Drehzahlen kann sich der Bohrer leicht verbiegen, wenn er sich ohne Kontakt mit dem Werkstück frei drehen kann, und zu Verletzungen führen.
- ▶ **Üben Sie keinen übermäßigen Druck und nur in Längsrichtung zum Bohrer aus.** Bohrer können verbiegen und dadurch brechen oder zu einem Verlust der Kontrolle und zu Verletzungen führen.

Zusätzliche Sicherheitshinweise

- ▶ **Schalten Sie das Elektrowerkzeug sofort aus, wenn das Einsatzwerkzeug blockiert. Seien Sie auf hohe Reaktionsmomente gefasst, die einen Rückschlag verursachen.** Das Einsatzwerkzeug blockiert, wenn das Elektrowerkzeug überlastet wird oder es im zu bearbeitenden Werkstück verankert.
- ▶ **Halten Sie das Elektrowerkzeug gut fest.** Beim Festziehen und Lösen von Schrauben können kurzzeitig hohe Reaktionsmomente auftreten.
- ▶ **Sichern Sie das Werkstück.** Ein mit Spannvorrichtungen oder Schraubstock festgehaltenes Werkstück ist sicherer gehalten als mit Ihrer Hand.
- ▶ **Verwenden Sie geeignete Suchgeräte, um verborgene Versorgungsleitungen aufzuspüren, oder ziehen Sie die örtliche Versorgungsgesellschaft hinzu.** Kontakt

Schlagbohrmaschine		GSB 19-2 REA	
– Löcher 10 x 30 mm	Stück		45
Gewicht entsprechend EPTA-Procedure 01:2014			
– mit Absaugvorrichtung	kg		3,2
– ohne Absaugvorrichtung	kg		2,6
Schutzklasse			□ / II

Die Angaben gelten für eine Nennspannung [U] von 230 V. Bei abweichenden Spannungen und in länderspezifischen Ausführungen können diese Angaben variieren.

Geräusch-/Vibrationsinformation

Geräuschemissionswerte ermittelt entsprechend EN 62841-2-1.

Der A-bewertete Geräuschpegel des Elektrowerkzeugs beträgt typischerweise: Schalldruckpegel **95 dB(A)**; Schalleistungspegel **106 dB(A)**. Unsicherheit K=5 dB.

Gehörschutz tragen!

Schwingungsgesamtwerte a_h (Vektorsumme dreier Richtungen) und Unsicherheit K ermittelt entsprechend EN 62841-2-1.

Bohren in Metall: $a_h = 3,0 \text{ m/s}^2$, K=1,5 m/s^2 .

Schlagbohren in Beton: $a_h = 1,5 \text{ m/s}^2$, K=2,0 m/s^2 .

Schrauben: $a_h < 2,5 \text{ m/s}^2$, K=1,5 m/s^2 .

Gewindeschneiden: $a_h < 2,5 \text{ m/s}^2$, K=1,5 m/s^2 .

Der in diesen Anweisungen angegebene Schwingungspegel und der Geräuschemissionswert sind entsprechend einem genormten Messverfahren gemessen worden und können für den Vergleich von Elektrowerkzeugen miteinander verwendet werden. Sie eignen sich auch für eine vorläufige Einschätzung der Schwingungs- und Geräuschemission.

Der angegebene Schwingungspegel und der Geräuschemissionswert repräsentieren die hauptsächlichen Anwendungen des Elektrowerkzeugs. Wenn allerdings das Elektrowerkzeug für andere Anwendungen, mit abweichenden Einsatzwerkzeugen oder ungenügender Wartung eingesetzt wird, können der Schwingungspegel und der Geräuschemissionswert abweichen. Dies kann die Schwingungs- und Geräuschemission über den gesamten Arbeitszeitraum deutlich erhöhen.

Für eine genaue Abschätzung der Schwingungs- und Geräuschemissionen sollten auch die Zeiten berücksichtigt werden, in denen das Gerät abgeschaltet ist oder zwar läuft, aber nicht tatsächlich im Einsatz ist. Dies kann die Schwingungs- und Geräuschemissionen über den gesamten Arbeitszeitraum deutlich reduzieren.

Legen Sie zusätzliche Sicherheitsmaßnahmen zum Schutz des Bedieners vor der Wirkung von Schwingungen fest wie zum Beispiel: Wartung von Elektrowerkzeug und Einsatzwerkzeugen, Warmhalten der Hände, Organisation der Arbeitsabläufe.

Montage

- Ziehen Sie vor allen Arbeiten am Elektrowerkzeug den Netzstecker aus der Steckdose.

- (21) Zahnkranzbohrfutter^{A)}
- (22) Innensechskantschlüssel^{B)}
- (23) Führungsnut der Staubabsaugung
- (24) Filterelement (Microfilter-System)
- (25) Entriegelungstaste der Staubbox
- (26) Klappe der Staubbox
- (27) Tiefenschlag (Staubabsaugung)^{A)}
- (28) Gummiring für den Staubfangring
- (29) Entriegelungsknopf des Staubfangrings

A) **Abgebildetes oder beschriebenes Zubehör gehört nicht zum Standard-Lieferumfang. Das vollständige Zubehör finden Sie in unserem Zubehörprogramm.**

B) **handelsüblich (nicht im Lieferumfang enthalten)**

Technische Daten

Schlagbohrmaschine		GSB 19-2 REA	
Sachnummer		3 601 A7C 5..	
Nennaufnahmeleistung	W		900
max. Abgabeleistung	W		455
Leerlaufdrehzahl			
– 1. Gang	min ⁻¹		0–1 000
– 2. Gang	min ⁻¹		0–3 000
Nennndrehzahl			
– 1. Gang	min ⁻¹		770
– 2. Gang	min ⁻¹		1990
Schlagzahl bei Leerlaufdrehzahl	min ⁻¹		51 000
Nennndrehmoment			
– 1. Gang	Nm		5,7
– 2. Gang	Nm		2,2
Drehzahlvorwahl			●
Rechts-/Linkslauf			●
Zahnkranzbohrfutter			–
Schnellspannbohrfutter			●
Vollautomatische Spindelarterierung (Auto-Lock)			●
Spindelhalbdurchmesser	mm		43
max. Bohr-Ø (1./2. Gang)			
– Beton	mm		18/13
– Mauerwerk	mm		20/15
– Stahl	mm		13/8
– Holz	mm		40/25
Bohrfutterspannbereich	mm		1,5–13
Saugleistung	l/min		460
Kapazität Staubbox (bei waagrecht Bohren)			
– Löcher 6 x 30 mm	Stück		130
– Löcher 8 x 30 mm	Stück		75

Schraubwerkzeuge

Bei der Verwendung von Schrauberbits (**18**) sollten Sie immer einen Universalbithalter (**19**) benutzen. Verwenden Sie nur zum Schraubenkopf passende Schrauberbits.

Zum Schrauben stellen Sie den Umschalter „Bohren/Schlagbohren“ (**3**) immer auf das Symbol „Bohren“.

Bohrfutter wechseln

- **Ziehen Sie vor allen Arbeiten am Elektrowerkzeug den Netzstecker aus der Steckdose.**

Bohrfutter demontieren (siehe Bild D)

Demontieren Sie den Zusatzgriff und bringen Sie den Gangwahlschalter (**2**) in die Mittelstellung zwischen 1. und 2. Gang.

Führen Sie einen Stahlstift \varnothing 4 mm mit ca. 50 mm Länge in die Bohrung am Spindelhalbs ein, um die Bohrspindel zu arretieren.

Spannen Sie einen Innensechskantschlüssel (**22**) mit dem kurzen Schaft voran in das Schnellspannbohrfutter (**1**) ein. Legen Sie das Elektrowerkzeug auf eine standfeste Unterlage, z. B. eine Werkbank. Halten Sie das Elektrowerkzeug fest und lösen Sie das Schnellspannbohrfutter (**1**) durch Drehen des Innensechskantschlüssels (**22**) in Drehrichtung **⚙**. Ein festsitzendes Schnellspannbohrfutter wird durch einen leichten Schlag auf den langen Schaft des Innensechskantschlüssels (**22**) gelöst. Entfernen Sie den Innensechskantschlüssel aus dem Schnellspannbohrfutter und schrauben Sie das Schnellspannbohrfutter vollständig ab.

Bei Elektrowerkzeugen mit Zahnkranzbohrfutter erfolgt die Demontage sinngemäß wie oben beschrieben.

Bei Elektrowerkzeugen mit Schnellspannbohrfutter kann anstatt des Innensechskantschlüssels (**22**) ein Gabelschlüssel (Schlüsselweite 19 mm) auf das Bohrfutter aufgesetzt werden.

Bohrfutter montieren (siehe Bild E)

Die Montage des Schnellspann-/Zahnkranzbohrfutters erfolgt in umgekehrter Reihenfolge.



Das Bohrfutter muss mit einem Anzugsdrehmoment von ca. 50–55 Nm festgezogen werden.

- **Entfernen Sie nach erfolgter Montage des Bohrfutters den Stahlstift wieder aus der Bohrung.**

Staubabsaugung/Staubbehälter

Stäube von Materialien wie bleihaltigem Anstrich, einigen Holzarten, Mineralien und Metall können gesundheitsschädlich sein. Berühren oder Einatmen der Stäube können allergische Reaktionen und/oder Atemwegserkrankungen des Benutzers oder in der Nähe befindlicher Personen hervorrufen. Bestimmte Stäube wie Eichen- oder Buchenstaub gelten als krebserzeugend, besonders in Verbindung mit Zusatzstoffen zur Holzbehandlung (Chromat, Holzschutzmittel). Asbesthaltiges Material darf nur von Fachleuten bearbeitet werden.

- Benutzen Sie möglichst eine für das Material geeignete Staubabsaugung.
- Sorgen Sie für gute Belüftung des Arbeitsplatzes.

Zusatzgriff

- **Verwenden Sie Ihr Elektrowerkzeug nur mit dem Zusatzgriff (**10**).**

Sie können den Zusatzgriff (**10**) in 12 Positionen verstellen, um eine sichere und ermüdungsarme Arbeitshaltung zu erreichen.

Drehen Sie das untere Griffstück des Zusatzgriffs (**10**) in Drehrichtung **⚙** und schieben Sie den Zusatzgriff (**10**) soweit nach vorn, bis Sie ihn in die gewünschte Position schwenken können. Danach ziehen Sie den Zusatzgriff (**10**) wieder zurück und drehen das untere Griffstück in Drehrichtung **⚙** wieder fest.

Bohrtiefe einstellen (siehe Bild A)

Mit dem Tiefenanschlag (**27**) kann die gewünschte Bohrtiefe **X** festgelegt werden.

Drehen Sie das untere Griffstück des Zusatzgriffs (**10**) entgegen dem Uhrzeigersinn und setzen Sie den Tiefenanschlag (**17**) ein.

Ziehen Sie den Tiefenanschlag so weit heraus, dass der Abstand zwischen der Spitze des Bohrers und der Spitze des Tiefenanschlags der gewünschten Bohrtiefe **X** entspricht.

Drehen Sie danach das untere Griffstück des Zusatzgriffs (**10**) im Uhrzeigersinn wieder fest.

Die Riffelung am Tiefenanschlag (**17**) muss nach oben zeigen.

Werkzeugwechsel

- **Tragen Sie beim Werkzeugwechsel Schutzhandschuhe.** Das Bohrfutter kann sich bei längeren Arbeitsvorgängen stark erwärmen.

Schnellspannbohrfutter (siehe Bild B)

Bei nicht gedrücktem Ein-/Ausschalter (**7**) wird die Bohrspindel arretiert. Dies ermöglicht ein schnelles, bequemes und einfaches Wechseln des Einsatzwerkzeuges im Bohrfutter.

Öffnen Sie das Schnellspannbohrfutter (**1**) durch Drehen in Drehrichtung **⚙**, bis das Werkzeug eingesetzt werden kann. Setzen Sie das Werkzeug ein.

Drehen Sie die Hülse des Schnellspannbohrfutters (**1**) in Drehrichtung **⚙** von Hand kräftig zu, bis kein Überrasen mehr hörbar ist. Das Bohrfutter wird dadurch automatisch verriegelt.

Die Verriegelung löst sich wieder, wenn Sie zum Entfernen des Werkzeuges die Hülse in Gegenrichtung drehen.

Zahnkranzbohrfutter (siehe Bild C)

Öffnen Sie das Zahnkranzbohrfutter (**21**) durch Drehen, bis das Werkzeug eingesetzt werden kann. Setzen Sie das Werkzeug ein.

Stecken Sie den Bohrfutterschlüssel (**20**) in die entsprechenden Bohrungen des Zahnkranzbohrfutters (**21**) und spannen Sie das Werkzeug gleichmäßig fest.

Drücken Sie die Klappe **(26)** an der Unterseite auf und entleeren Sie die Staubbox.

Überprüfen Sie das Filterelement **(24)** auf Beschädigungen. Wechseln Sie es bei Beschädigungen sofort aus.

Schließen Sie die Klappe **(26)** und schieben Sie die Staubbox wieder von unten in die Staubabsaugung 13, bis sie hörbar einrastet.

Filterelement wechseln (siehe Bild H)

Um die Filterleistung zu erhalten, muss das Filterelement **(24)** der Staubbox **(9)** nach ca. 15 Betriebsstunden gewechselt werden.

Zum Entnehmen der Staubbox **(9)** drücken Sie die beiden Entriegelungstasten **(25)** und ziehen die Staubbox nach unten aus der Staubabsaugung **(12)**.

Entnehmen Sie das Filterelement **(24)** nach oben und setzen Sie ein neues Filterelement ein.

Schieben Sie die Staubbox wieder von unten in die Staubabsaugung **(12)**, bis sie hörbar einrastet.

Hinweis: Ersetzen Sie das Filterelement **(24)** sofort, wenn es beschädigt ist (z.B. Löcher, Beschädigung des weichen Dichtmaterials). Beim Arbeiten mit defektem Filterelement kann das Elektrowerkzeug beschädigt werden. Wechseln Sie das Filterelement **(24)** ebenfalls, wenn die Saugleistung auch bei geleerter Staubbox **(9)** unzureichend ist.

Bohrtiefe einstellen (siehe Bild I)

Mit dem Tiefenanschlag **(27)** kann die gewünschte Bohrtiefe **X** festgelegt werden.

Setzen Sie einen Bohrer in das Bohrfutter ein und spannen Sie den Bohrer, siehe Abschnitt Werkzeugwechsel. Setzen Sie das Elektrowerkzeug ohne es einzuschalten fest auf die zu bohrende Fläche auf, bis der Bohrer auf der Fläche aufsetzt.

Drücken Sie die Taste für Tiefenanschlageinstellung **(14)** und verschieben Sie den Tiefenanschlag **(27)** so, dass der im Bild gezeigte Abstand **X** Ihrer gewünschten Bohrtiefe entspricht.

Staubabsaugung an Werkzeuglänge anpassen (siehe Bild J)

Für komfortableres Arbeiten mit kurzen Einsatzwerkzeugen kann die Länge der Staubabsaugung **(12)** angepasst werden.

Drücken Sie die Taste **(11)** und schieben Sie die Teleskopführung **(13)** bei gedrückter Taste so weit in die Staubabsaugung **(12)** hinein, bis sich der Staubfangring nah an der Spitze des Einsatzwerkzeugs befindet.

Um die Teleskopführung wieder auszufahren, drücken Sie die Taste **(11)** erneut.

Staubfangring für Bohrer (siehe Bild K)

Der Staubfangring für Bohrer **(15)** kann mit Gummiringen **(28)** in zwei Größen ausgestattet werden. Verwenden Sie für Bohrungen bis 12 mm Durchmesser den Gummiring K1 mit kleiner Öffnung, für größere Bohrungen den Gummiring K2 mit großer Öffnung.

– Es wird empfohlen, eine Atemschutzmaske mit Filterklasse P2 zu tragen.

Beachten Sie in Ihrem Land gültige Vorschriften für die zu bearbeitenden Materialien.

► **Verwenden Sie die Absaugvorrichtung nur bei der Bearbeitung von Beton, Ziegel und Mauerstein.** Holz- und Kunststoffspäne können leicht zu Verstopfungen führen.

► **Achtung Brandgefahr! Bearbeiten Sie mit montierter Absaugvorrichtung keine metallischen Werkstoffe.** Heiße Metallspäne können Teile des Staubbehälters entzünden.

► **Vermeiden Sie Staubansammlungen am Arbeitsplatz.** Stäube können sich leicht entzünden.

Hinweis: Verwenden Sie die Staubabsaugung **(12)** nicht beim Schrauben oder Gewindeschneiden.

Die Staubabsaugung **(12)** federt beim Arbeiten zurück, so dass der Staubfangring immer dicht am Untergrund gehalten wird. Die Staubabsaugung wird automatisch mit dem Elektrowerkzeug ein- und ausgeschaltet.

Um ein optimales Absaugergebnis zu erhalten, beachten Sie bitte folgende Hinweise:

- Das verwendete Einsatzwerkzeug darf nicht über den Staubfangring **(15)** überstehen.
- Achten Sie darauf, dass die Absaugvorrichtung bündig am Werkstück bzw. an der Wand anliegt. Damit wird gleichzeitig ein rechtwinkliges Bohren erleichtert.
- Arbeiten Sie beim Einsatz der Absaugvorrichtung immer mit maximaler Drehzahl..
- Nach Erreichen der gewünschten Bohrtiefe ziehen Sie zuerst den Bohrer aus dem Bohrloch und schalten dann die Schlagbohrmaschine aus.
- Prüfen Sie regelmäßig den Zustand des Filterelementes **(24)**. Bei Beschädigung des Filterelementes dieses sofort auswechseln.

Staubabsaugung abnehmen/aufsetzen (siehe Bild F)

Zum Abnehmen der Staubabsaugung drücken Sie die Entriegelungstaste **(8)** und ziehen die Staubabsaugung nach vorn ab.

Schwenken Sie dazu gegebenenfalls den Zusatzgriff **(10)** zur Seite.

Zum Aufsetzen der Staubabsaugung **(12)** schieben Sie diese mit den Führungsnuten **(23)** in die Aufnahme am Elektrowerkzeug, bis sie hörbar einrastet.

Eigenabsaugung mit Staubbox (siehe Bild G)


Der Füllstand der Staubbox **(9)** kann leicht durch die transparente Klappe **(26)** kontrolliert werden.

Leeren Sie die Staubbox rechtzeitig, da sonst die Saugleistung beeinträchtigt wird.

Zum Entnehmen der Staubbox **(9)** drücken Sie die beiden Entriegelungstasten **(25)** und ziehen die Staubbox nach unten aus der Staubabsaugung **(12)**.

Vor dem Öffnen der Staubbox **(9)** sollten Sie diese leicht auf eine feste Unterlage klopfen, um den Staub vom Filterelement **(24)** zu lösen.

Gang II:

Hoher Drehzahlbereich; zum Arbeiten mit kleinem Bohrdurchmesser. 

Lässt sich der Gangwahlschalter (2) nicht bis zum Anschlag schwenken, drehen Sie die Antriebsspindel mit dem Bohrer etwas.

Ein-/Ausschalten

Drücken Sie zur **Inbetriebnahme** des Elektrowerkzeuges den Ein-/Ausschalter (7) und halten Sie ihn gedrückt.

Zum **Feststellen** des gedrückten Ein-/Ausschalters (7) drücken Sie die Feststelltaste (5).

Um das Elektrowerkzeug **auszuschalten**, lassen Sie den Ein-/Ausschalter (7) los bzw. wenn er mit der Feststelltaste (5) arretiert ist, drücken Sie den Ein-/Ausschalter (7) kurz und lassen ihn dann los.

Überlastkupplung

Um hohe Reaktionsmomente zu begrenzen, ist das Elektrowerkzeug mit einer Überlastkupplung (Anti-Rotation) ausgestattet.



► **Klemmt oder hakt das Einsatzwerkzeug, wird der Antrieb zur Bohrspindel unterbrochen. Halten Sie, wegen der dabei auftretenden Kräfte, das Elektrowerkzeug immer mit beiden Händen gut fest und nehmen Sie einen festen Stand ein.**

► **Schalten Sie das Elektrowerkzeug aus und lösen Sie das Einsatzwerkzeug, wenn das Elektrowerkzeug blockiert. Beim Einschalten mit einem blockierten Bohrerwerkzeug entstehen hohe Reaktionsmomente.**

Drehzahl/Schlagzahl einstellen

Sie können die Drehzahl/Schlagzahl des eingeschalteten Elektrowerkzeuges stufenlos regulieren, je nachdem, wie weit Sie den Ein-/Ausschalter (7) eindrücken.

Leichter Druck auf den Ein-/Ausschalter (7) bewirkt eine niedrige Drehzahl/Schlagzahl. Mit zunehmendem Druck erhöht sich die Drehzahl/Schlagzahl.

Drehzahl/Schlagzahl vorwählen

Mit dem Stellrad Drehzahlvorwahl (6) können Sie die benötigte Drehzahl/Schlagzahl auch während des Betriebes vorwählen.

Die erforderliche Drehzahl/Schlagzahl ist vom Werkstoff und den Arbeitsbedingungen abhängig und kann durch praktischen Versuch ermittelt werden.

Arbeitshinweise

- **Ziehen Sie vor allen Arbeiten am Elektrowerkzeug den Netzstecker aus der Steckdose.**
- **Setzen Sie das Elektrowerkzeug nur ausgeschaltet auf die Mutter/Schraube auf.** Sich drehende Einsatzwerkzeuge können abrutschen.

Nach längerem Arbeiten mit kleiner Drehzahl sollten Sie das Elektrowerkzeug zur Abkühlung ca. 3 Minuten lang bei maximaler Drehzahl im Leerlauf drehen lassen.

Um Fliesen zu bohren, stellen Sie den Umschalter (3) auf das Symbol „Bohren“. Nach dem Durchbohren der Fliese

Zum Wechsel des Gummiringes (28) drücken Sie diesen nach hinten aus dem Staubfangring (15) heraus. Zum Einsetzen des Gummiringes setzen Sie ihn auf den Staubfangring auf und drücken ihn fest.

Zum Wechsel des Staubfangrings (15) drücken Sie den Entriegelungsknopf (29) und ziehen Sie den Staubfangring aus der Staubabsaugung.

Zum Einsetzen drücken Sie den Staubfangring (15) von oben in die Staubabsaugung (12), bis er hörbar einrastet.

Betrieb**Inbetriebnahme**

- **Beachten Sie die Netzspannung! Die Spannung der Stromquelle muss mit den Angaben auf dem Typenschild des Elektrowerkzeuges übereinstimmen. Mit 230 V gekennzeichnete Elektrowerkzeuge können auch an 220 V betrieben werden.**

Drehrichtung einstellen (siehe Bild L - M)

- **Betätigen Sie den Drehrichtungsumschalter (4) nur bei Stillstand des Elektrowerkzeuges.**

Mit dem Drehrichtungsumschalter (4) können Sie die Drehrichtung des Elektrowerkzeuges ändern. Bei gedrücktem Ein-/Ausschalter (7) ist dies jedoch nicht möglich.

Rechtslauf: Zum Bohren und Eindrehen von Schrauben schieben Sie den Drehrichtungsumschalter (4) auf der linken Seite nach unten und gleichzeitig auf der rechten Seite nach oben.

Linkslauf: Zum Lösen bzw. Herausdrehen von Schrauben und Muttern schieben Sie den Drehrichtungsumschalter (4) auf der linken Seite nach oben und gleichzeitig auf der rechten Seite nach unten.

Betriebsart einstellen**Bohren und Schrauben**

Stellen Sie den Umschalter (3) auf das Symbol „Bohren“.

**Schlagbohren**

Stellen Sie den Umschalter (3) auf das Symbol „Schlagbohren“.




Der Umschalter (3) rastet spürbar ein und kann auch bei laufendem Motor betätigt werden.

Mechanische Gangwahl

- **Sie können den Gangwahlschalter (2) bei langsam laufendem Elektrowerkzeug betätigen. Dies sollte jedoch nicht bei Stillstand, voller Belastung oder maximaler Drehzahl erfolgen.**

Mit dem Gangwahlschalter (2) können 2 Drehzahlbereiche vorgewählt werden.

Gang I:

Niedriger Drehzahlbereich; zum Arbeiten mit großem Bohrdurchmesser oder zum Schrauben. 

Luxemburg

Tel.: +32 2 588 0589

Fax: +32 2 588 0595

E-Mail: outillage.gereedschap@be.bosch.com

SchweizUnter www.bosch-pt.com/ch/de können Sie online Ersatzteile bestellen.

Tel.: (044) 8471511

Fax: (044) 8471551

E-Mail: Aftersales.Service@de.bosch.com

Entsorgung

Elektrowerkzeuge, Zubehör und Verpackungen sollen einer umweltgerechten Wiederverwertung zugeführt werden.



Werfen Sie Elektrowerkzeuge nicht in den Hausmüll!

Nur für EU-Länder:

Gemäß der Europäischen Richtlinie 2012/19/EU über Elektro- und Elektronik-Altgeräte und ihrer Umsetzung in nationales Recht müssen nicht mehr gebrauchsfähige Elektrowerkzeuge getrennt gesammelt und einer umweltgerechten Wiederverwertung zugeführt werden.

Italiano**Avvertenze di sicurezza****Avvertenze generali di sicurezza per elettroutensili**

Leggere tutte le avvertenze di pericolo, le istruzioni operative, le figure e le specifiche fornite in dotazione al presente elettroutensile. Il mancato rispetto di tutte le istruzioni sottoelencate potrà comportare il pericolo di scosse elettriche, incendi e/o gravi lesioni.

Conservare tutte le avvertenze di pericolo e le istruzioni operative per ogni esigenza futura.

Il termine "elettrotensile" riportato nelle avvertenze fa riferimento ai dispositivi dotati di alimentazione elettrica (a filo) o a batteria (senza filo).

Sicurezza della postazione di lavoro

- ▶ **Conservare l'area di lavoro pulita e ben illuminata.** Zone disordinate o buie possono essere causa di incidenti.
- ▶ **Evitare di impiegare l'elettrotensile in ambienti soggetti al rischio di esplosioni nei quali siano presenti liquidi, gas o polveri infiammabili.** Gli elettroutensili producono scintille che possono far infiammare la polvere o i gas.

stellen Sie den Umschalter auf das Symbol „Schlagbohren“ um und arbeiten mit Schlag.

Bei Arbeiten in Beton, Gestein und Mauerwerk verwenden Sie Hartmetallbohrer.

Verwenden Sie beim Bohren in Metall nur einwandfreie, geschärfte HSS-Bohrer (HSS=Hochleistungs-Schnellschnittstahl). Entsprechende Qualität garantiert das **Bosch**-Zubehör-Programm.

Mit dem Bohrschärfgerät (Zubehör) können Sie Spiralbohrer mit einem Durchmesser von 2,5–10 mm mühelos schärfen.

Wartung und Service**Wartung und Reinigung**

▶ **Ziehen Sie vor allen Arbeiten am Elektrowerkzeug den Netzstecker aus der Steckdose.**

▶ **Halten Sie das Elektrowerkzeug und die Lüftungsschlitze sauber, um gut und sicher zu arbeiten.**

Wenn ein Ersatz der Anschlussleitung erforderlich ist, dann ist dies von **Bosch** oder einer autorisierten Kundendienststelle für **Bosch**-Elektrowerkzeuge auszuführen, um Sicherheitsgefährdungen zu vermeiden.

Kundendienst und Anwendungsberatung

Der Kundendienst beantwortet Ihre Fragen zu Reparatur und Wartung Ihres Produkts sowie zu Ersatzteilen. Explosionszeichnungen und Informationen zu Ersatzteilen finden Sie auch unter: **www.bosch-pt.com**

Das Bosch-Anwendungsberatungs-Team hilft Ihnen gerne bei Fragen zu unseren Produkten und deren Zubehör.

www.powertool-portal.de, das Internetportal für Handwerker und Heimwerker.

Geben Sie bei allen Rückfragen und Ersatzteilbestellungen bitte unbedingt die 10-stellige Sachnummer laut Typenschild des Produkts an.

Deutschland

Robert Bosch Power Tools GmbH
Servicezentrum Elektrowerkzeuge

Zur Luhne 2

37589 Kalefeld – Willershausen

Unter www.bosch-pt.de können Sie online Ersatzteile bestellen oder Reparaturen anmelden.

Kundendienst: Tel.: (0711) 40040460

Fax: (0711) 40040461

E-Mail: Servicezentrum.Elektrowerkzeuge@de.bosch.com

Anwendungsberatung:

Tel.: (0711) 40040460

Fax: (0711) 40040462

E-Mail: kundenberatung.ew@de.bosch.com

Österreich

Unter www.bosch-pt.at können Sie online Ersatzteile bestellen.

Tel.: (01) 797222010

Fax: (01) 797222011

E-Mail: service.elektrowerkzeuge@at.bosch.com

rio oppure una chiave che si trovi in una parte rotante della macchina può provocare seri incidenti.

- ▶ **Evitare di assumere posture anomale. Mantenere appoggio ed equilibrio adeguati in ogni situazione.** In questo modo è possibile controllare meglio l'elettro utensile in caso di situazioni inaspettate.
- ▶ **Indossare indumenti adeguati. Non indossare vestiti larghi, né gioielli. Tenere capelli e vestiti lontani da parti in movimento.** Vestiti larghi, gioielli o capelli lunghi potranno impigliarsi in parti in movimento.
- ▶ **Se l'utensile è dotato di un apposito attacco per dispositivi di aspirazione e raccolta polvere, accertarsi che gli stessi siano collegati ed utilizzati in modo conforme.** L'utilizzo di un'aspirazione polvere può ridurre lo svilupparsi di situazioni pericolose dovute alla polvere.
- ▶ **Evitare che la confidenza derivante da un frequente uso degli utensili si trasformi in superficialità e vengano trascurate le principali norme di sicurezza.** Una mancanza di attenzione può causare gravi lesioni in una frazione di secondo.

Trattamento accurato ed uso corretto degli elettro utensili

- ▶ **Non sottoporre l'elettro utensile a sovraccarico. Utilizzare l'elettro utensile adeguato per l'applicazione specifica.** Con un elettro utensile adatto si lavora in modo migliore e più sicuro nell'ambito della sua potenza di prestazione.
- ▶ **Non utilizzare l'elettro utensile qualora l'interruttore non consenta un'accensione/uno spegnimento corretti.** Un elettro utensile con l'interruttore rotto è pericoloso e deve essere aggiustato.
- ▶ **Prima di eseguire eventuali regolazioni, sostituire accessori o riporre la macchina al termine del lavoro, estrarre sempre la spina dalla presa di corrente e/o togliere la batteria, se rimovibile.** Tale precauzione eviterà che l'elettro utensile possa essere messo in funzione involontariamente.
- ▶ **Riporre gli elettro utensili fuori della portata dei bambini durante i periodi di inutilizzo e non consentire l'uso degli utensili stessi a persone inesperte o che non abbiano letto le presenti istruzioni.** Gli elettro utensili sono macchine pericolose quando vengono utilizzati da persone non dotate di sufficiente esperienza.
- ▶ **Eseguire la manutenzione degli elettro utensili e relativi accessori. Verificare la presenza di un eventuale disallineamento o inceppamento delle parti mobili, la rottura di componenti o qualsiasi altra condizione che possa pregiudicare il corretto funzionamento dell'elettro utensile stesso. Se danneggiato, l'elettro utensile dovrà essere riparato prima dell'uso.** Numerosi incidenti vengono causati da elettro utensili la cui manutenzione è stata effettuata poco accuratamente.
- ▶ **Mantenere gli utensili da taglio affilati e puliti.** Gli utensili da taglio curati con particolare attenzione e con taglienti affilati s'inceppano meno frequentemente e sono più facili da condurre.

- ▶ **Tenere lontani i bambini ed altre persone durante l'impiego dell'elettro utensile.** Eventuali distrazioni potranno comportare la perdita del controllo sull'elettro utensile.

Sicurezza elettrica

- ▶ **La spina di allacciamento alla rete dell'elettro utensile deve essere adatta alla presa. Evitare assolutamente di apportare qualsivoglia modifica alla spina. Non utilizzare spine adattatrici con elettro utensili dotati di collegamento a terra.** Le spine non modificate e le prese adatte allo scopo riducono il rischio di scosse elettriche.
- ▶ **Evitare il contatto fisico con superfici collegate a terra, come tubi, radiatori, fornelli elettrici e frigoriferi.** Sussiste un maggior rischio di scosse elettriche nel momento in cui il corpo è messo a massa.
- ▶ **Custodire l'elettro utensile al riparo dalla pioggia o dall'umidità.** La penetrazione dell'acqua in un elettro utensile aumenta il rischio di una scossa elettrica.
- ▶ **Non usare il cavo per scopi diversi da quelli previsti. Non usare il cavo per trasportare o appendere l'elettro utensile, né per estrarre la spina dalla presa di corrente. Non avvicinare il cavo a fonti di calore, olio, spigoli taglienti e parti della macchina in movimento.** I cavi danneggiati o aggrovigliati aumentano il rischio d'insorgenza di scosse elettriche.
- ▶ **Se si utilizza l'elettro utensile all'aperto, impiegare un cavo di prolunga adatto per l'uso all'esterno.** L'uso di un cavo di prolunga omologato per l'impiego all'esterno riduce il rischio d'insorgenza di scosse elettriche.
- ▶ **Qualora non fosse possibile evitare di utilizzare l'elettro utensile in un ambiente umido, usare un interruttore di protezione dalle correnti di guasto (RCD).** L'uso di un interruttore di sicurezza riduce il rischio di una scossa elettrica.

Sicurezza delle persone

- ▶ **Quando si utilizza un elettro utensile è importante restare vigili, concentrarsi su ciò che si sta facendo ed operare con giudizio. Non utilizzare l'elettro utensile in caso di stanchezza o sotto l'effetto di droghe, alcool o medicinali.** Un attimo di distrazione durante l'uso dell'elettro utensile può essere causa di gravi incidenti.
- ▶ **Utilizzare gli appositi dispositivi di protezione individuali. Indossare sempre gli occhiali protettivi.** L'impiego, in condizioni appropriate, di dispositivi di protezione quali maschera antipolvere, scarpe antinfortunistiche antiscivolo, elmetto di protezione, protezioni acustiche, riduce il rischio di infortuni.
- ▶ **Evitare l'accensione involontaria dell'elettro utensile. Prima di collegare l'elettro utensile all'alimentazione di corrente e/o alla batteria, prima di prenderlo o trasportarlo, assicurarsi che sia spento.** Tenendo il dito sopra l'interruttore mentre si trasporta l'elettro utensile oppure collegandolo all'alimentazione di corrente con l'interruttore inserito, si vengono a creare situazioni pericolose in cui possono verificarsi seri incidenti.
- ▶ **Prima di accendere l'elettro utensile togliere qualsiasi attrezzo di regolazione o chiave utilizzata.** Un accesso-

traccolpo. L'accessorio si blocca se si inclina all'interno del pezzo in lavorazione o se l'elettrotensile è sottoposto a sovraccarico.

- ▶ **Trattenere saldamente l'elettrotensile.** Durante il serraggio e l'avvitamento delle viti, possono brevemente verificarsi coppie di reazione.
- ▶ **Fissare il pezzo in lavorazione.** Un pezzo in lavorazione può essere bloccato con sicurezza in posizione solo utilizzando un apposito dispositivo di serraggio oppure una morsa a vite e non tenendolo con la semplice mano.
- ▶ **Al fine di rilevare linee di alimentazione nascoste, utilizzare apparecchiature di ricerca adatte oppure rivolgersi alla società erogatrice locale.** Un contatto con cavi elettrici può provocare lo sviluppo di incendi e di scosse elettriche. Danneggiando una tubazione del gas si può creare il pericolo di esplosioni. Penetrando una tubazione dell'acqua si provocano seri danni materiali oppure vi è il pericolo di provocare una scossa elettrica.
- ▶ **Prima di posare l'elettrotensile, attendere sempre che si sia arrestato completamente.** L'accessorio può incepparsi e comportare la perdita di controllo dell'elettrotensile.

Descrizione del prodotto e dei servizi forniti

Leggere tutte le avvertenze e disposizioni di sicurezza. La mancata osservanza delle avvertenze e disposizioni di sicurezza può causare folgorazioni, incendi e/o lesioni di grave entità.

Si prega di osservare le immagini nella prima parte delle istruzioni per l'uso.



Utilizzo conforme

L'elettrotensile è ideato per la foratura a percussione in mattoni, calcestruzzo e roccia, nonché per la foratura nel legno, nel metallo, nella ceramica e nella plastica. Utensili dotati di regolazione elettronica e rotazione destrorsa/sinistrorsa sono anche adatti per operazioni di avvitatura e filettatura.

Componenti illustrati

La numerazione dei componenti illustrati si riferisce all'illustrazione dell'elettrotensile che si trova sulla pagina con la rappresentazione grafica.

- (1) Mandrino autoserrante
- (2) Selettore di velocità
- (3) Commutatore «Foratura/Foratura a percussione»
- (4) Commutatore del senso di rotazione
- (5) Tasto di bloccaggio per interruttore di avvio/arresto
- (6) Rotellina di preselezione del numero di giri
- (7) Interruttore di avvio/arresto
- (8) Tasto di sbloccaggio del dispositivo di aspirazione polvere

- ▶ **Utilizzare sempre l'elettrotensile, gli accessori e gli utensili specifici ecc. in conformità alle presenti istruzioni, tenendo conto delle condizioni di lavoro e delle operazioni da eseguire.** L'impiego di elettrotensili per usi diversi da quelli consentiti potrà dar luogo a situazioni di pericolo.
- ▶ **Mantenere impugnature e superfici di presa asciutte, pulite e prive di olio e grasso.** Impugnature e superfici di presa scivolose non consentono di manipolare e controllare l'utensile in caso di situazioni inaspettate.

Assistenza

- ▶ **Fare riparare l'elettrotensile da personale specializzato ed utilizzando solo parti di ricambio identiche.** In tale maniera potrà essere salvaguardata la sicurezza dell'elettrotensile.

Avvertenze di sicurezza per trapani

Istruzioni di sicurezza per tutte le operazioni

- ▶ **Indossare protezioni acustiche quando si fora a percussione.** L'esposizione al rumore può provocare la perdita dell'udito.
- ▶ **Utilizzare l'impugnatura supplementare/le impugnature supplementari.** La perdita di controllo può essere causata da lesioni.
- ▶ **Afferrare e tenere l'elettrotensile dalle superfici isolate dell'impugnatura qualora si eseguano operazioni in cui l'accessorio da taglio o gli elementi di fissaggio potrebbero venire a contatto con cavi elettrici nascosti o con il cavo di alimentazione dell'elettrotensile stesso.** Se l'accessorio da taglio o l'elemento di fissaggio entra in contatto con un cavo sotto tensione, la tensione potrebbe trasmettersi anche alle parti metalliche esposte dell'elettrotensile, provocando la folgorazione dell'utilizzatore.

Istruzioni di sicurezza per l'utilizzo di punte lunghe

- ▶ **Non utilizzare l'utensile a numeri di giri superiori a quello massimo nominale previsto per la punta.** A numeri di giri superiori, la punta probabilmente si curverebbe in caso di rotazione libera senza contatto con il pezzo in lavorazione, causando lesioni all'operatore.
- ▶ **Iniziare la foratura sempre ad un ridotto numero di giri e con la testa della punta a contatto con il pezzo in lavorazione.** A numeri di giri superiori, la punta probabilmente si curverebbe in caso di rotazione libera senza contatto con il pezzo in lavorazione, causando lesioni all'operatore.
- ▶ **Esercitare pressione soltanto direttamente in linea con la punta, senza eccedere nella pressione stessa.** Le punte possono curvarsi, causando rotture o perdite di controllo dell'utensile e, di conseguenza, lesioni all'operatore.

Avvertenze di sicurezza supplementari

- ▶ **Spegnere immediatamente l'elettrotensile quando l'utensile accessorio si blocca. Aspettarsi sempre alti momenti di reazione che possono provocare un con-**

Trapano battente		GSB 19-2 REA
Rotazione destrorsa/sini- strorsa		●
Mandrino a cremagliera		-
Mandrino autoserrante		●
Blocco automatico del man- drino (Auto-Lock)		●
Diametro del collare alberino	mm	43
Ø foro max. (1ª/2ª velocità)		
- Calcestruzzo	mm	18/13
- Muratura	mm	20/15
- Acciaio	mm	13/8
- Legno	mm	40/25
Campo di serraggio del man- drino	mm	1,5 - 13
Potenza di aspirazione	l/min	460
Capacità cassetta raccogli-polvere (con foratura orizzontale)		
- Fori 6 x 30 mm	Pezzo	130
- Fori 8 x 30 mm	Pezzo	75
- Fori 10 x 30 mm	Pezzo	45
Peso secondo EPTA-Procedure 01:2014		
- con dispositivo di aspira- zione	kg	3,2
- senza dispositivo di aspi- razione	kg	2,6
Classe di protezione		□/II

I dati sono validi per una tensione nominale [U] di 230 V. In caso di tensioni differenti e di versioni per Paesi specifici, tali dati potranno variare.

Informazioni su rumorosità e vibrazioni

Valori di emissione acustica rilevati conformemente a **EN 62841-2-1**.

Il livello di rumorosità ponderato A dell'elettrotensile è tipicamente di: Livello di pressione acustica **95 dB(A)**; Livello di potenza sonora **106 dB(A)**. Grado d'incertezza **K = 5 dB**.

Indossare protezioni acustiche!

Valori di oscillazione totali a_h (somma vettoriale delle tre direzioni) e grado d'incertezza **K**, rilevati conformemente a **EN 62841-2-1**.

Foratura nel metallo: $a_h = 3,0 \text{ m/s}^2$, **K = 1,5** m/s^2 .

Foratura con percussione nel calcestruzzo: $a_h = 15 \text{ m/s}^2$, **K = 2,0** m/s^2 .

Avvitamento: $a_h < 2,5 \text{ m/s}^2$, **K = 1,5** m/s^2 .

Filettatura: $a_h < 2,5 \text{ m/s}^2$, **K = 1,5** m/s^2 .

Il livello di vibrazione ed il valore di emissione acustica indicati nelle presenti istruzioni sono stati rilevati conformemente ad una procedura di misurazione unificata e sono utilizzabili per confrontare gli elettrotensili. Le stesse procedure sono idonee anche per una valutazione temporanea del livello di vibrazione e dell'emissione acustica.

- (9) Contenitore per la polvere completo (sistema Micro-filter)
- (10) Impugnatura supplementare (superficie di presa isolata)^{A)}
- (11) Tasto per la regolazione della guida telescopica
- (12) Sistema di aspirazione polvere
- (13) Guida telescopica
- (14) Tasto di regolazione dell'asta di profondità
- (15) Anello raccogli-polvere per punta
- (16) Impugnatura (superficie di presa isolata)
- (17) Guida di profondità^{A)}
- (18) Bit di avvitamento^{A)}
- (19) Portabit universale^{A)}
- (20) Chiave di serraggio per mandrini^{A)}
- (21) Mandrino a cremagliera^{A)}
- (22) Chiave a brugola^{B)}
- (23) Scanalatura di guida del dispositivo di aspirazione polvere
- (24) Elemento filtrante (sistema Microfilter)
- (25) Tasto di sbloccaggio della cassetta raccogli-polvere
- (26) Coperchio ribaltabile della cassetta raccogli-polvere
- (27) Asta di profondità (aspirazione polvere)^{A)}
- (28) Anello di gomma per l'anello raccogli-polvere
- (29) Pulsante di sbloccaggio dell'anello raccogli-polvere

A) **L'accessorio illustrato oppure descritto non è compreso nel volume di fornitura standard. L'accessorio completo è contenuto nel nostro programma accessori.**

B) **Disponibile in commercio (non compreso in dotazione)**

Dati tecnici

Trapano battente		GSB 19-2 REA
Codice prodotto		3 601 A7C 5..
Potenza assorbita nominale	W	900
Potenza erogata max.	W	455
Numero di giri a vuoto		
- 1ª velocità	min ⁻¹	0 - 1 000
- 2ª velocità	min ⁻¹	0 - 3 000
Numero di giri nominale		
- 1ª velocità	min ⁻¹	770
- 2ª velocità	min ⁻¹	1 990
Numero di colpi con funzio- namento a vuoto	min ⁻¹	51 000
Coppia nominale		
- 1ª velocità	Nm	5,7
- 2ª velocità	Nm	2,2
Preselezione del numero di giri		●

Mandrino autoserrante (vedere figura B)

Se l'interruttore di accensione/spengimento (7) non viene azionato il mandrino di foratura si blocca. Ciò consente di eseguire una sostituzione veloce, comoda e semplice dell'utensile nel mandrino.

Aprire il mandrino autoserrante (1) ruotandolo nel senso di rotazione ①, finché l'utensile non può essere inserito. Inserire l'utensile.

Ruotare con forza, manualmente, la bussola del mandrino autoserrante (1) nel senso di rotazione ②, finché non si sente più alcun rumore. In tale modo, il mandrino verrà bloccato automaticamente.

Per sbloccarlo di nuovo quando si intende togliere l'utensile accessorio, si gira la boccia anteriore in senso contrario.

Mandrino a cremagliera (vedere Fig. C)

Aprire il mandrino a cremagliera (21) ruotando, fino a quando sia possibile introdurre l'utensile accessorio. Inserire l'utensile.

Innestare la chiave di serraggio per mandrini (20) negli appositi fori del mandrino a cremagliera (21) e serrare uniformemente l'utensile accessorio.

Accessori per avvitare

In caso di utilizzo di bit di avvitamento (18) si dovrebbe sempre utilizzare un portabit universale (19). Usare esclusivamente bit cacciavite che siano adatti alla testa della vite.

Per eseguire lavori di avvitamento, impostare sempre il commutatore «Foratura/Foratura a percussione» (3) sul simbolo «Foratura».

Sostituzione del mandrino

- ▶ **Prima di qualunque intervento sull'elettrotensile estrarre la spina di rete dalla presa.**

Smontaggio mandrino (vedere Fig. D)

Smontare l'impugnatura supplementare e spostare il selettore di velocità (2) in posizione centrale tra la 1ª e la 2ª velocità.

Introdurre un perno in acciaio di Ø 4 mm e ca. 50 mm di lunghezza nel foro sul colletto del mandrino, per bloccare il mandrino.

Serrare una chiave a brugola (22) con il codolo corto davanti nel mandrino autoserrante (1).

Appoggiare l'elettrotensile su una superficie piana e resistente, p. es. un banco da lavoro. Tenere saldamente l'elettrotensile e rilasciare il mandrino autoserrante (1) ruotando la chiave a brugola (22) nel senso della rotazione ①. Un mandrino autoserrante bloccato si potrà liberare con un lieve colpo sul codolo lungo della chiave a brugola (22). Rimuovere la chiave a brugola dal mandrino autoserrante e svitare completamente il mandrino autoserrante.

Per gli elettrotensili con mandrino a cremagliera lo smontaggio avviene conformemente come descritto sopra.

Per gli elettrotensili con mandrino autoserrante in luogo della chiave a brugola (22) è possibile utilizzare per il mandrino una chiave fissa (apertura chiave 19 mm).

Il livello di vibrazione ed il valore di emissione acustica sono riferiti agli impieghi principali dell'elettrotensile; qualora, tuttavia, l'elettrotensile venisse utilizzato per altre applicazioni, oppure con accessori differenti o in caso di insufficiente manutenzione, il livello di vibrazione ed il valore di emissione acustica potrebbero variare. Ciò potrebbe aumentare sensibilmente l'emissione di vibrazioni e l'emissione acustica sull'intero periodo di funzionamento.

Per valutare con precisione i valori di vibrazione e di emissione acustica, andranno considerati anche i periodi nei quali l'utensile sia spento, oppure acceso, ma non utilizzato. Ciò potrebbe ridurre sensibilmente l'emissione di vibrazioni e l'emissione acustica sull'intero periodo di funzionamento.

Adottare misure di sicurezza supplementari per proteggere l'operatore dall'effetto delle vibrazioni: ad esempio, sottoponendo a manutenzione l'elettrotensile e gli utensili accessori, mantenendo calde le mani e organizzando i vari processi di lavoro.

Montaggio

- ▶ **Prima di qualunque intervento sull'elettrotensile estrarre la spina di rete dalla presa.**

Impugnatura supplementare

- ▶ **Impiegare l'elettrotensile esclusivamente con l'impugnatura supplementare (10).**

È possibile regolare l'impugnatura supplementare (10) in 12 posizioni, per offrire una postura di lavoro sicura e non stancante.

Ruotare la parte inferiore dell'impugnatura supplementare (10) nel senso di rotazione ① e spingere in avanti l'impugnatura supplementare (10) finché non si trova nella posizione desiderata. Tirare quindi nuovamente indietro l'impugnatura supplementare (10) e serrare nuovamente la parte inferiore dell'impugnatura stessa nel senso di rotazione ②.

Regolazione profondità di foratura (vedere figura A)

Con l'asta di profondità (27) è possibile determinare la profondità di foratura desiderata X.

Ruotare la parte inferiore dell'impugnatura supplementare (10) in senso antiorario ed introdurre l'asta di profondità (17).

Estrarre la battuta di profondità finché la distanza tra l'estremità della punta e l'estremità della battuta di profondità non corrisponde alla profondità di foratura desiderata X.

Serrare quindi nuovamente la parte inferiore dell'impugnatura supplementare (10), ruotandola in senso orario.

La scanalatura sull'asta di profondità (17) dovrà essere rivolta in alto.

Cambio degli utensili

- ▶ **Indossare guanti protettivi durante la sostituzione dell'accessorio.** In caso di operazioni di lavoro di maggiore durata il mandrino portapunta può surriscaldarsi.

- Una volta raggiunta la profondità della foratura richiesta, estrarre prima la punta dal foro trapanato e spegnere quindi il trapano battente.
- Controllare regolarmente lo stato dell'elemento filtrante (24). In caso di danneggiamento dell'elemento filtrante, sostituirlo immediatamente.

Rimozione/applicazione del dispositivo di aspirazione polvere (vedere Fig. F)

Per la rimozione del dispositivo di aspirazione polvere premere il tasto di sbloccaggio (8) ed estrarre in avanti il dispositivo di aspirazione polvere stesso.

Per effettuare questa operazione, se necessario, spostare l'impugnatura supplementare (10) lateralmente.

Per l'applicazione della aspirazione polvere (12) spingere il dispositivo con le scanalature di guida (23) nel supporto sull'elettrotensile fino a quando lo stesso scatta in posizione in modo percettibile.

Aspirazione propria con contenitore per la polvere (vedere Fig. G)

Il livello di riempimento della cassetta raccogli-polvere (9) può essere controllato facilmente attraverso lo sportello trasparente (26).

Svuotare per tempo la cassetta raccogli-polvere, altrimenti viene pregiudicata la potenza di aspirazione.

Per la rimozione della cassetta raccogli-polvere (9) premere entrambi i tasti di sbloccaggio (25) ed estrarre la cassetta raccogli-polvere dal dispositivo di aspirazione polvere (12) tirando verso il basso.

Prima dell'apertura della cassetta raccogli-polvere (9), la cassetta stessa dovrebbe essere battuta leggermente su di un fondo resistente per staccare la polvere dall'elemento filtrante (24).

Premere lo sportello (26) sulla parte inferiore e svuotare la cassetta raccogli-polvere.

Controllare che l'elemento filtrante (24) non presenti danneggiamenti. Sostituirlo immediatamente in caso di danneggiamenti.

Chiudere lo sportello (26) e spingere nuovamente dal basso la cassetta raccogli-polvere nel dispositivo di aspirazione polvere 13 finché non scatta in posizione in modo percettibile.

Sostituzione dell'elemento filtrante (vedere Fig. H)

Per mantenere la potenza filtrante, l'elemento filtrante (24) della cassetta raccogli-polvere (9) deve essere sostituito dopo ca. 15 ore d'esercizio.

Per la rimozione della cassetta raccogli-polvere (9) premere entrambi i tasti di sbloccaggio (25) ed estrarre la cassetta raccogli-polvere dal dispositivo di aspirazione polvere (12) tirando verso il basso.

Rimuovere l'elemento filtrante (24) verso l'alto ed inserirne uno nuovo.

Spingere nuovamente dal basso la cassetta raccogli-polvere nel dispositivo di aspirazione polvere (12), finché non scatta in posizione in modo percettibile.

Avvertenza: Sostituire immediatamente l'elemento filtrante (24) qualora lo stesso risultasse danneggiato (ad esempio

Montaggio mandrino (vedere Fig. E)

Il montaggio del mandrino autoserrante/mandrino a cremagliera avviene eseguendo inversamente le stesse operazioni.



Il mandrino andrà serrato ad una coppia di circa 50-55 Nm.

- **Una volta terminata l'operazione di montaggio del mandrino portapunta, estrarre di nuovo il perno in acciaio dalla foratura.**

Dispositivo di aspirazione della polvere / contenitore per la polvere

Polveri e materiali come vernici contenenti piombo, alcuni tipi di legname, minerali e metalli possono essere dannosi per la salute. Il contatto oppure l'inalazione delle polveri possono causare reazioni allergiche e/o malattie delle vie respiratorie dell'operatore oppure delle persone che si trovano nelle vicinanze.

Determinate polveri come polvere da legname di faggio o di quercia sono considerate cancerogene, in modo particolare insieme ad additivi per il trattamento del legname (cromato, protezione per legno). Materiale contenente amianto deve essere lavorato esclusivamente da personale specializzato.

- Utilizzare possibilmente un'aspirazione polvere adatta per il materiale.
- Provvedere ad una buona aerazione del posto di lavoro.
- Si consiglia di portare una mascherina protettiva con classe di filtraggio P2.

Osservare le norme in vigore nel vostro Paese per i materiali da lavorare.

- **Utilizzare il dispositivo di aspirazione esclusivamente per la lavorazione del calcestruzzo, dei laterizi e della muratura.** I trucioli di legno e plastica possono facilmente causare intasamenti.

- **Attenzione: pericolo di incendio! Non lavorare materiali metallici con il dispositivo di aspirazione montato.** I trucioli di metallo ad alta temperatura potrebbero far incendiare parti all'interno del contenitore per la polvere.

- **Evitare accumuli di polvere nella postazione di lavoro.** Le polveri si possono incendiare facilmente.

Avvertenza: non utilizzare l'aspirazione polvere (12) durante l'avvitamento o la filettatura.

Durante il lavoro l'aspirazione polvere (12) ritorna indietro in modo che l'anello raccogli-polvere rimanga sempre ermetico sulla base lavorazione. Il dispositivo di aspirazione polvere viene acceso e spento automaticamente con l'elettrotensile.

Per poter raggiungere un risultato ottimale di aspirazione, si prega di tenere presente le seguenti avvertenze:

- L'accessorio utilizzato non deve sporgere dall'anello raccogli-polvere (15).
- Accertarsi che il dispositivo di aspirazione aderisca bene al pezzo in lavorazione oppure alla parete. Ciò agevolerà al contempo la foratura ad angolo retto.
- Quando viene utilizzato il dispositivo di aspirazione, operare sempre al massimo del numero di giri.

► **Azionare il commutatore del senso di rotazione (4) esclusivamente ad elettroutensile fermo.**

Il commutatore del senso di rotazione (4) consente di variare il senso di rotazione dell'elettroutensile. Ad interruttore di avvio/arresto (7) premuto, tuttavia, ciò non sarà possibile.

Rotazione destrorsa: per forare ed avvitare viti spingere il commutatore del senso di rotazione (4) sul lato sinistro in basso ed al contempo sul lato destro in alto.

Rotazione sinistrorsa: per allentare e svitare viti e dadi spingere il commutatore del senso di rotazione (4) sul lato sinistro in alto ed al contempo sul lato destro in basso.

Regolazione del modo operativo

Foratura ed avvitatura

Spostare il commutatore (3) sul simbolo «Foratura».



Foratura a percussione

Spostare il commutatore (3) sul simbolo «Foratura a percussione».



Il commutatore (3) si innesta in modo udibile e può anche essere azionato quando il motore è già avviato.

Selezione meccanica della velocità

► **È possibile azionare il selettore di velocità (2) quando l'elettroutensile è in funzione a velocità ridotta. Ciò dovrebbe tuttavia essere evitato quando l'utensile è fermo, funzionante a pieno carico oppure al massimo del numero di giri.**

Il selettore di velocità (2) consente di preselezionare due diversi campi di velocità.

Velocità I:

Bassa velocità; per lavori con grandi diametri di foratura oppure per avvitare.



Velocità II:

Range di velocità elevato; per lavorare con piccoli diametri di foratura.



Se il selettore di velocità (2) non si può spostare sino al finecorsa, ruotare leggermente l'alberino di azionamento con la punta.

accensione/spengimento

Per **accendere** l'elettroutensile, premere l'interruttore di avvio/arresto (7) e mantenerlo premuto.

Per **bloccare** l'interruttore ON/OFF (7), premere il tasto di blocco (5).

Per **spegnere** l'elettroutensile, rilasciare l'interruttore ON/OFF (7) oppure, se il tasto (5) è bloccato, premere brevemente l'interruttore ON/OFF (7), dopodiché rilasciarlo.

Frizione di sicurezza contro il sovraccarico

Per limitare elevati momenti di reazione l'elettroutensile è dotato di un giunto contro il sovraccarico (Anti-Rotation = antirotazione).



► **La trasmissione all'alberino filettato si blocca se l'accessorio si inceppa oppure resta bloccato. In considerazione delle forze che vengono generate, afferrare**

fori, danneggiamento del materiale di tenuta morbido).

L'elettroutensile può danneggiarsi in caso di lavori con elemento filtrante difettoso. Sostituire anche l'elemento filtrante (24) se con la cassetta raccogli polvere vuota, la potenza di aspirazione (9) risulta insufficiente.

Regolazione profondità di foratura (vedere figura I)

Con l'asta di profondità (27) è possibile determinare la profondità di foratura desiderata X.

Inserire una punta nel mandrino e serrare la punta, vedere paragrafo Cambio utensili. Avvicinare con fermezza l'elettroutensile, senza accenderlo, alla superficie da forare, finché la punta non si appoggia sulla superficie.

Premere il tasto per la regolazione dell'asta di profondità (14) e spostare l'asta di profondità (27) in modo che la distanza X illustrata nella figura corrisponda alla profondità di foratura desiderata.

Adattamento del dispositivo di aspirazione polvere alla lunghezza dell'utensile (vedere Fig. J)

Per lavorare senza problemi con utensili accessori corti, la lunghezza del dispositivo di aspirazione polvere (12) può essere adattata.

Premere il tasto (11) e, tenendo premuto il tasto, spingere la guida telescopica (13) nell'aspirazione polvere (12), finché l'anello raccogli polvere non risulta posizionato vicino alla punta dell'utensile accessorio.

Per estrarre nuovamente la guida telescopica, premere nuovamente il tasto (11).

Anello raccogli polvere per punta (vedere Fig. K)

L'anello raccogli polvere per punta (15) può essere dotato di anelli di gomma (28) di due misure differenti. Per forature fino a 12 mm di diametro utilizzare l'anello di gomma K1 con apertura più piccola, per forature maggiori impiegare invece l'anello di gomma K2 con apertura più grande.

Per sostituire l'anello di gomma (28) spingere lo stesso anello indietro, estraendolo dall'anello raccogli polvere (15). Per l'inserimento dell'anello di gomma applicarlo sull'anello raccogli polvere e premere saldamente.

Per la sostituzione dell'anello raccogli polvere (15) premere il pulsante di sbloccaggio (29) ed estrarre l'anello raccogli polvere dall'aspirazione polvere.

Per l'inserimento, premere dall'alto l'anello raccogli polvere (15) nel dispositivo di aspirazione polvere (12), finché non scatta in posizione in modo percettibile.

Uso

Messa in funzione

► **Osservare la tensione di rete! La tensione riportata sulla targhetta di identificazione dell'elettroutensile deve corrispondere alla tensione della rete elettrica di alimentazione. Gli elettroutensili con l'indicazione di 230 V possono essere collegati anche alla rete di 220 V.**

Impostazione del senso di rotazione (vedere Fig. L - M)

Se fosse necessaria una sostituzione della linea di collegamento, questa dovrà essere eseguita da **Bosch** oppure da un centro assistenza clienti autorizzato per elettrotensili **Bosch**, al fine di evitare pericoli per la sicurezza.

Servizio di assistenza e consulenza tecnica

Il servizio di assistenza risponde alle Vostre domande relative alla riparazione e alla manutenzione del Vostro prodotto nonché concernenti i pezzi di ricambio. Disegni in vista esplosa e informazioni relative ai pezzi di ricambio sono consultabili anche sul sito www.bosch-pt.com

Il team di consulenza tecnica Bosch sarà lieto di rispondere alle Vostre domande in merito ai nostri prodotti e accessori. In caso di richieste o di ordinazione di pezzi di ricambio, comunicare sempre il codice prodotto a 10 cifre riportato sulla targhetta di fabbricazione dell'elettrotensile.

Svizzera

Sul sito www.bosch-pt.com/ch/it è possibile ordinare direttamente on-line i ricambi.

Tel.: (044) 8471513

Fax: (044) 8471553

E-Mail: Aftersales.Service@de.bosch.com

Italia

Tel.: (02) 3696 2314

E-Mail: pt.hotlinebosch@it.bosch.com

Smaltimento

Avviare ad un riciclaggio rispettoso dell'ambiente gli imballaggi, gli elettrotensili e gli accessori dismessi.



Non gettare elettrotensili dismessi tra i rifiuti domestici!

Solo per i Paesi della CE:

Conformemente alla Direttiva Europea 2012/19/UE sui rifiuti di apparecchiature elettriche ed elettroniche (RAEE) ed all'attuazione del recepimento nel diritto nazionale, gli elettrotensili diventati inservibili devono essere raccolti separatamente ed essere smaltiti/riciclati nel rispetto dell'ambiente.

Nederlands

Veiligheidsaanwijzingen

Algemene veiligheidsaanwijzingen voor elektrische gereedschappen

Lees alle waarschuwingen, veiligheidsaanwijzingen, afbeeldingen en specificaties die bij dit elektrische gereedschap worden geleverd. **WAARSCHUWING**

Als de hieronder vermelde aanwijzingen niet worden opgevolgd, kan dit een elektrische schok, brand en/of ernstig letsel tot gevolg hebben.

sempre saldamente l'elettrotensile con entrambe le mani, assumendo una postura stabile.

- ▶ **Nel caso in cui dovesse bloccarsi, spegnere l'elettrotensile e rilasciare l'utensile accessorio. In caso di accensione con un accessorio di foratura bloccato si sviluppano alti momenti di reazione.**

Regolazione del numero di giri/numero di colpi

Ad elettrotensile acceso, è possibile regolare il numero di giri/numero di colpi in modo continuo, esercitando più o meno pressione sull'interruttore di accensione/spengimento.

(7).

Premendo leggermente l'interruttore di accensione/spengimento **(7)** si otterrà un numero di giri/numero di colpi ridotto. Aumentando la pressione si aumenta il numero di giri/numero di colpi.

Preselezione del numero di giri/numero di colpi

La rotellina di preselezione del numero di giri **(6)** consente di preselezionare il numero di giri/numero di colpi desiderato anche durante il funzionamento dell'utensile.

La velocità/frequenza colpi richiesta dipende dal tipo di materiale in lavorazione e dalle specifiche condizioni operative e può essere dunque determinata a seconda del caso eseguendo delle prove pratiche.

Indicazioni operative

- ▶ **Prima di qualunque intervento sull'elettrotensile estrarre la spina di rete dalla presa.**
- ▶ **Applicare l'elettrotensile sul dado/sulla vite esclusivamente quando è spento.** Gli utensili accessori in rotazione possono scivolare.

Dopo un impiego prolungato a velocità ridotta, lasciar raffreddare l'elettrotensile, facendolo funzionare a vuoto a velocità massima per circa 3 minuti.

Per praticare fori in piastrelle, spostare il commutatore **(3)** sul simbolo «Foratura». Dopo la foratura delle piastrelle spostare il commutatore sul simbolo «Foratura a percussione» e lavorare con la modalità a percussione.

In caso di lavorazione del calcestruzzo, di materiali minerali e di muratura utilizzare punte in metallo duro.

Per la foratura nel metallo utilizzare solamente punte HSS in perfette condizioni ed affilate (HSS=high-speed steel=acciaio rapido ad alte prestazioni). Il programma accessori **Bosch** garantisce la qualità necessaria.

Con il dispositivo affilapunte (accessorio) è possibile affilare senza difficoltà punta elicoidali con un diametro di 2,5–10 mm.

Manutenzione ed assistenza

Manutenzione e pulizia

- ▶ **Prima di qualunque intervento sull'elettrotensile estrarre la spina di rete dalla presa.**
- ▶ **Per poter garantire buone e sicure operazioni di lavoro, tenere sempre pulite l'elettrotensile e le fessure di ventilazione.**

Veiligheid van personen

- ▶ **Wees alert, let goed op wat u doet en ga met verstand te werk bij het gebruik van het elektrische gereedschap. Gebruik geen elektrisch gereedschap, wanneer u moe bent of onder invloed staat van drugs, alcohol of medicijnen.** Een moment van onoplettendheid bij het gebruik van het elektrische gereedschap kan tot ernstige verwondingen leiden.
- ▶ **Draag persoonlijke beschermingsmiddelen. Draag altijd een veiligheidsbril.** Het dragen van persoonlijke beschermingsmiddelen zoals een stofmasker, slijpvaste werkschoenen, een veiligheidshelm of gehoorbescherming, afhankelijk van de aard en het gebruik van het elektrische gereedschap, vermindert het risico van verwondingen.
- ▶ **Voorkom per ongeluk inschakelen. Controleer dat het elektrische gereedschap uitgeschakeld is, voordat u de stekker in het stopcontact steekt of de accu aansluit en voordat u het gereedschap oppakt of draagt.** Wanneer u bij het dragen van het elektrische gereedschap uw vinger aan de schakelaar hebt of wanneer u het gereedschap ingeschakeld op de stroomvoorziening aansluit, kan dit tot ongevallen leiden.
- ▶ **Verwijder instelgereedschappen of schroefslutels, voordat u het elektrische gereedschap inschakelt.** Een instelgereedschap of sleutel in een draaiend deel van het gereedschap kan tot verwondingen leiden.
- ▶ **Voorkom een onevenwichtige lichaamshouding. Zorg ervoor dat u stevig staat en steeds in evenwicht blijft.** Daardoor kunt u het elektrische gereedschap in onverwachte situaties beter onder controle houden.
- ▶ **Draag geschikte kleding. Draag geen loshangende kleding of sieraden. Houd haren en kleding uit de buurt van bewegende delen.** Loshangende kleding, lange haren en sieraden kunnen door bewegende delen worden meegenomen.
- ▶ **Wanneer stofafzuigings- of stofopvangvoorzieningen kunnen worden gemonteerd, dient u zich ervan te verzekeren dat deze zijn aangesloten en juist worden gebruikt.** Het gebruik van een stofafzuiging beperkt het gevaar door stof.
- ▶ **Ondanks het feit dat u eventueel heel goed vertrouwd bent met het gebruik van gereedschappen, moet u ervoor zorgen dat u niet nonchalant wordt en veiligheidsvoorschriften voor het gereedschap gaat negeren.** Een onoplettende handeling kan binnen een fractie van een seconde ernstig letsel veroorzaken.

Zorgvuldige omgang met en zorgvuldig gebruik van elektrische gereedschappen

- ▶ **Overbelast het elektrische gereedschap niet. Gebruik voor uw werkzaamheden het daarvoor bestemde elektrische gereedschap.** Met het passende elektrische gereedschap werkt u beter en veiliger binnen het aangegeven capaciteitsbereik.
- ▶ **Gebruik geen elektrisch gereedschap waarvan de schakelaar defect is.** Elektrisch gereedschap dat niet

Bewaar alle waarschuwingen en voorschriften voor toekomstig gebruik.

Het in de waarschuwingen gebruikte begrip elektrisch gereedschap heeft betrekking op elektrische gereedschappen voor gebruik op het stroomnet (met netsnoer) en op elektrische gereedschappen voor gebruik met een accu (zonder netsnoer).

Veiligheid van de werkomgeving

- ▶ **Houd uw werkomgeving schoon en goed verlicht.** Een rommelige of onverlichte werkomgeving kan tot ongevallen leiden.
- ▶ **Werk met het elektrische gereedschap niet in een omgeving met explosiegevaar waarin zich brandbare vloeistoffen, brandbare gassen of brandbaar stof bevinden.** Elektrische gereedschappen veroorzaken vonken die het stof of de dampen tot ontsteking kunnen brengen.
- ▶ **Houd kinderen en andere personen tijdens het gebruik van het elektrische gereedschap uit de buurt.** Wanneer u wordt afgeleid, kunt u de controle over het gereedschap verliezen.

Elektrische veiligheid

- ▶ **De aansluitstekker van het elektrische gereedschap moet in het stopcontact passen. De stekker mag in geen geval worden veranderd. Gebruik geen adapterstekkers in combinatie met gearde elektrische gereedschappen.** Onveranderde stekkers en passende stopcontacten beperken het risico van een elektrische schok.
- ▶ **Voorkom aanraking van het lichaam met gearde oppervlakken, bijvoorbeeld van buizen, verwarmingen, fornuizen en koelkasten.** Er bestaat een verhoogd risico door een elektrische schok wanneer uw lichaam geaard is.
- ▶ **Houd het gereedschap uit de buurt van regen en vocht.** Het binnendringen van water in het elektrische gereedschap vergroot het risico van een elektrische schok.
- ▶ **Gebruik de kabel niet voor een verkeerd doel, om het elektrische gereedschap te dragen of op te hangen of om de stekker uit het stopcontact te trekken. Houd de kabel uit de buurt van hitte, olie, scherpe randen of bewegende delen.** Beschadigde of in de war geraakte kabels vergroten het risico van een elektrische schok.
- ▶ **Wanneer u buitenshuis met elektrisch gereedschap werkt, dient u alleen verlengkabels te gebruiken die voor gebruik buitenshuis zijn goedgekeurd.** Het gebruik van een voor gebruik buitenshuis geschikte verlengkabel beperkt het risico van een elektrische schok.
- ▶ **Als het gebruik van het elektrische gereedschap in een vochtige omgeving onvermijdelijk is, dient u een aardlekschakelaar te gebruiken.** Het gebruik van een aardlekschakelaar vermindert het risico van een elektrische schok.

draad, dan kunnen de metalen delen van het elektrische gereedschap onder spanning komen te staan en zou de gebruiker een elektrische schok kunnen krijgen.

Veiligheidsaanwijzingen bij het gebruik van lange boren

- ▶ **Werk nooit met een hoger toerental dan het maximale nominale toerental van de boor.** Bij hogere toerentallen kan het bit verbuigen, als u dit vrij zonder contact met het werkstuk laat draaien, wat kan resulteren in persoonlijk letsel.
- ▶ **Begin altijd te boren met een laag toerental, waarbij de punt van het bit contact heeft met het werkstuk.** Bij hogere toerentallen kan het bit verbuigen, als u dit vrij zonder contact met het werkstuk laat draaien, wat kan resulteren in persoonlijk letsel.
- ▶ **Oefen uitsluitend lijnrecht t.o.v. het bit druk uit en oefen geen overmatige druk uit.** Bits kunnen verbuigen met als gevolg breuk of verlies van controle, wat kan resulteren in persoonlijk letsel.

Aanvullende veiligheidsaanwijzingen

- ▶ **Schakel het elektrische gereedschap onmiddellijk uit, wanneer het inzetgereedschap blokkeert. Ben voorbereid op hoge reactiemomenten die een terugslag veroorzaken.** Het inzetgereedschap blokkeert, wanneer het elektrische gereedschap overbelast wordt of in het te bewerken werkstuk kantelt.
- ▶ **Houd het elektrische gereedschap goed vast.** Bij het vast- en losdraaien van schroeven kunnen gedurende korte tijd grote reactiemomenten optreden.
- ▶ **Zet het werkstuk vast.** Een met spanvoorzieningen of een bankschroef vastgehouden werkstuk wordt beter vastgehouden dan u met uw hand kunt doen.
- ▶ **Gebruik geschikte detectoren om verborgen elektriciteits-, gas- of waterleidingen op te sporen of raadpleeg het plaatselijke energie- of waterleidingbedrijf.** Contact met elektrische leidingen kan tot brand of een elektrische schok leiden. Beschadiging van een gasleiding kan tot een explosie leiden. Breuk van een waterleiding veroorzaakt materiële schade en kan een elektrische schok veroorzaken.
- ▶ **Wacht tot het elektrische gereedschap tot stilstand is gekomen, voordat u het neerlegt.** Het inzetgereedschap kan vasthaken en dit kan tot het verlies van de controle over het elektrische gereedschap leiden.

Beschrijving van product en werking

Lees alle veiligheidsaanwijzingen en instructies. Het niet naleven van de veiligheidsaanwijzingen en instructies kan elektrische schokken, brand en/of zware verwondingen veroorzaken.

Neem goed nota van de afbeeldingen in het voorste deel van de gebruiksaanwijzing.



meer kan worden in- of uitgeschakeld, is gevaarlijk en moet worden gerepareerd.

- ▶ **Trek de stekker uit het stopcontact en/of neem de accu (indien uitneembaar) uit het elektrische gereedschap, voordat u het elektrische gereedschap instelt, accessoires wisselt of het elektrische gereedschap opbergt.** Deze voorzorgsmaatregel voorkomt onbedoeld starten van het elektrische gereedschap.
- ▶ **Bewaar niet-gebruikte elektrische gereedschappen buiten bereik van kinderen. Laat het gereedschap niet gebruiken door personen die er niet mee vertrouwd zijn en deze aanwijzingen niet hebben gelezen.** Elektrische gereedschappen zijn gevaarlijk wanneer deze door onervaren personen worden gebruikt.
- ▶ **Pleeg onderhoud aan elektrische gereedschappen en accessoires. Controleer of bewegende delen van het gereedschap correct functioneren en niet vastklemmen en of onderdelen zodanig gebroken of beschadigd zijn dat de werking van het elektrische gereedschap nadelig wordt beïnvloed. Laat deze beschadigde onderdelen vóór gebruik repareren.** Veel ongevallen hebben hun oorzaak in slecht onderhouden elektrische gereedschappen.
- ▶ **Houd snijdende inzetgereedschappen scherp en schoon.** Zorgvuldig onderhouden snijdende inzetgereedschappen met scherpe snijkanten klemmen minder snel vast en zijn gemakkelijker te geleiden.
- ▶ **Gebruik elektrisch gereedschap, accessoires, inzetgereedschappen en dergelijke volgens deze aanwijzingen. Let daarbij op de arbeidsomstandigheden en de uit te voeren werkzaamheden.** Het gebruik van elektrische gereedschappen voor andere dan de voorziene toepassingen kan tot gevaarlijke situaties leiden.
- ▶ **Houd handgrepen en greepvlakken droog, schoon en vrij van olie en vet.** Gladde handgrepen en greepvlakken verhinderen dat het gereedschap in onverwachte situaties veilig kan worden gehanteerd en bediend.

Service

- ▶ **Laat het elektrische gereedschap alleen repareren door gekwalificeerd en vakkundig personeel en alleen met originele vervangsonderdelen.** Daarmee wordt gewaarborgd dat de veiligheid van het gereedschap in stand blijft.

Waarschuwingen voor boren

Veiligheidsaanwijzingen voor alle bewerkingen

- ▶ **Draag gehoorbescherming bij het klopboren.** Blootstelling aan lawaai kan leiden tot gehoorverlies.
- ▶ **Gebruik extra handgrepen.** Verlies van controle kan verwondingen veroorzaken.
- ▶ **Houd het elektrische gereedschap vast aan de geïsoleerde handgrepen, wanneer u werkzaamheden verricht waarbij het accessoire of het bevestigingsmiddel in aanraking kan komen met verborgen bedrading of zijn eigen netsnoer.** Als het accessoire of bevestigingsmiddel in aanraking komt met een spanningvoerende

Klopboormachine		GSB 19-2 REA
Nominaal opgenomen vermogen	W	900
Max. afgegeven vermogen	W	455
Onbelast toerental		
– Stand 1	min ⁻¹	0 – 1000
– Stand 2	min ⁻¹	0 – 3000
Nominaal toerental		
– Stand 1	min ⁻¹	770
– Stand 2	min ⁻¹	1990
Aantal slagen bij onbelast toerental	min ⁻¹	51.000
Nominaal draaimoment		
– Stand 1	Nm	5,7
– Stand 2	Nm	2,2
Toerentalinstelling		●
Rechts- en linksdraaien		●
Tandkransboorhouder		–
Snelspanboorhouder		●
Volautomatische blokkering van de uitgaande as (Auto-Lock)		●
Ashalsdiameter	mm	43
Max. boor-Ø (stand 1/2)		
– beton	mm	18/13
– metselwerk	mm	20/15
– staal	mm	13/8
– hout	mm	40/25
Boorhouderspanbereik	mm	1,5 – 13
Zuigcapaciteit	l/min	460
Capaciteit stofbox (bij horizontaal boren)		
– Gaten 6 x 30 mm	stuks	130
– Gaten 8 x 30 mm	stuks	75
– Gaten 10 x 30 mm	stuks	45
Gewicht volgens EPTA-Procedure 01:2014		
– met afzuigvoorziening	kg	3,2
– zonder afzuigvoorziening	kg	2,6
Isolatieklasse		□ / II

De gegevens gelden voor een nominale spanning [U] van 230 V. Bij afwijkende spanningen en in landspecifieke uitvoeringen kunnen deze gegevens variëren.

Informatie over geluid en trillingen

Geluidsemissiewaarden bepaald conform **EN 62841-2-1**.

Het A-gewogen geluidsniveau van het elektrische gereedschap bedraagt typisch: geluidsdrukniveau **95 dB(A)**; geluidsvermogeniveau **106 dB(A)**. Onzekerheid K = **5 dB**.

Draag gehoorbescherming!

Beoogd gebruik

Het elektrische gereedschap is bestemd voor klopboorwerkzaamheden in baksteen, beton en steen en voor boorwerkzaamheden in hout, metaal, keramiek en kunststof. Apparaten met elektronische regeling en rechts-/linksdraaiend zijn ook geschikt voor het in- en uitdraaien van schroeven en draadsnijden.

Afgebeelde componenten

De componenten zijn genummerd zoals op de afbeelding van het elektrische gereedschap op de pagina met afbeeldingen.

- (1) Snelspanboorhouder
- (2) Toerentalschakelaar
- (3) Omschakelknop „Boren/klopbooren“
- (4) Draairichtingschakelaar
- (5) Vastzettoets voor aan/uit-schakelaar
- (6) Stelwiel toerentalinstelling
- (7) Aan/uit-schakelaar
- (8) Ontgrendelingstoets stofafzuiging
- (9) Stofbox compleet (Microfilter-systeem)
- (10) Extra handgreep (geïsoleerd greepoppervlak)^{A)}
- (11) Toets voor instelling telescoopgeleiding
- (12) Stofafzuiging
- (13) Telescoopgeleiding
- (14) Toets voor instelling van de diepteaanslag
- (15) Stofvangring voor boren
- (16) Handgreep (geïsoleerd greepvlak)
- (17) Diepteaanslag^{A)}
- (18) Schroefbit^{A)}
- (19) Universele bithouder^{A)}
- (20) Boorhoudersleutel^{A)}
- (21) Tandkransboorhouder^{A)}
- (22) Binnenzeskantsleutel^{B)}
- (23) Geleidingsgroef stofafzuiging
- (24) Filterelement (Microfilter-systeem)
- (25) Ontgrendelingstoets stofbox
- (26) Klep stofbox
- (27) Diepteaanslag (stofafzuiging)^{A)}
- (28) Rubber ring voor de stofvangring
- (29) Ontgrendelingsknop stofvangring

A) **Niet elk afgebeeld en beschreven accessoire is standaard bij de levering inbegrepen. Alle accessoires zijn te vinden in ons accessoireprogramma.**

B) **gangbaar (niet bij de levering inbegrepen)**

Technische gegevens

Klopboormachine	GSB 19-2 REA
Productnummer	3 601 A7C 5..

Draai vervolgens het onderste deel van de extra handgreep **(10)** rechtsom weer vast.

De ribbels op de diepteanslag **(17)** moeten naar boven wijzen.

Inzetgereedschap wisselen

- **Draag bij het wisselen van gereedschap werkhand-schoenen.** De boorhouder kan tijdens langdurige werkzaamheden heet worden.

Snelspanboorhouder (zie afbeelding B)

Als de aan/uit-schakelaar **(7)** niet is ingedrukt, wordt de uitgaande as geblokkeerd. Hierdoor kan het inzetgereedschap in de boorhouder snel, gemakkelijk en eenvoudig worden vervangen.

Open de snelspanboorhouder **(1)** door deze in draairichting **⚙** te draaien, totdat het gereedschap kan worden aangebracht. Zet het gereedschap in.

Draai de huls van de snelspanboorhouder **(1)** in draairichting **⚙** met uw hand stevig vast, totdat er geen klinkgeluid meer hoorbaar is. De boorhouder wordt daardoor automatisch vergrendeld.

De vergrendeling wordt weer opgeheven als u voor het verwijderen van het accessoire de huls in de tegengestelde richting draait.

Tandkransboorhouder (zie afbeelding C)

Open de tandkransboorhouder **(21)** door deze te draaien totdat het accessoire kan worden geplaatst. Plaats het accessoire.

Steek de boorhoudersleutel **(20)** in de hiervoor bedoelde openingen van de tandkransboorhouder **(21)** en zet het accessoire gelijkmatig vast.

Schroefaccessoires

Bij het gebruik van schroefbits **(18)** dient u altijd een universele bithouder **(19)** te gebruiken. Gebruik alleen bits die bij de schroefkop passen.

Als u wilt schroeven zet u de omschakelknop „Boren/klopbo- ren“ **(3)** altijd op het symbool „Boren“.

Boorhouder wisselen

- **Trek vóór werkzaamheden aan het elektrische gereedschap altijd de stekker uit het stopcontact.**

Boorhouder demonteren (zie afbeelding D)

Demonteer de extra handgreep en breng de toerentalschakelaar **(2)** in de middenstand tussen stand 1 en stand 2.

Steek een stalen pen \varnothing 4 mm met een lengte van ca. 50 mm in de opening op de ashals om de uitgaande as te vergrendelen.

Span een binnenzeskantsleutel **(22)** met het korte uiteinde naar voren in de snelspanboorhouder **(1)**.

Leg het elektrische gereedschap op een stabiele ondergrond, bijv. een werkbank. Houd het elektrisch gereedschap vast en draai de snelspanboorhouder **(1)** los door de binnenzeskantsleutel **(22)** in draairichting **⚙** te draaien. Een vastzittende snelspanboorhouder kan door een lichte tik op het

Totale trillingswaarden a_n (vectorsom van drie richtingen) en onzekerheid K bepaald conform **EN 62841-2-1**.

Boren in metaal: $a_n = 3,0 \text{ m/s}^2$, $K = 1,5 \text{ m/s}^2$.

Klopbooren in beton: $a_n = 15 \text{ m/s}^2$, $K = 2,0 \text{ m/s}^2$.

Schroeven: $a_n < 2,5 \text{ m/s}^2$, $K = 1,5 \text{ m/s}^2$.

Draadsnijden: $a_n < 2,5 \text{ m/s}^2$, $K = 1,5 \text{ m/s}^2$.

Het in deze gebruiksaanwijzing vermelde trillingsniveau en de geluidsemisiewaarde zijn gemeten met een genormeerde meetmethode en kunnen worden gebruikt om elektrische gereedschappen met elkaar te vergelijken. Ze zijn ook geschikt voor een voorlopige inschatting van de trillings- en geluidsemisie.

Het aangegeven trillingsniveau en de aangegeven geluidsemisiewaarde representeren de voornaamste toepassingen van het elektrische gereedschap. Wanneer het elektrische gereedschap echter wordt gebruikt voor andere toepassingen, met afwijkende inzetgereedschappen of onvoldoende onderhoud, dan kunnen het trillingsniveau en de geluidsemisiewaarde afwijken. Dit kan de trillings- en geluidsemisie gedurende de gehele arbeidsperiode duidelijk verhogen.

Voor een nauwkeurige schatting van de trillings- en geluidsemisies moet ook rekening worden gehouden met de tijden waarin het gereedschap uitgeschakeld is, of waarin het gereedschap wel loopt, maar niet werkelijk wordt gebruikt. Dit kan de trillings- en geluidsemisies gedurende de gehele arbeidsperiode duidelijk verminderen.

Leg aanvullende veiligheidsmaatregelen ter bescherming van de gebruiker tegen het effect van trillingen vast, zoals: onderhoud van elektrische gereedschappen en inzetgereedschappen, warm houden van de handen, organisatie van het arbeidsproces.

Montage

- **Trek vóór werkzaamheden aan het elektrische gereedschap altijd de stekker uit het stopcontact.**

Extra handgreep

- **Gebruik uw elektrische gereedschap alleen met de extra handgreep **(10)**.**

U kunt de extra handgreep **(10)** in 12 standen verstellen voor een veilige en comfortabele werkhouding.

Draait het onderste deel van de extra handgreep **(10)** in draairichting **⚙** en schuif de extra handgreep **(10)** zo ver naar voren, dat deze in de gewenste stand kan worden gezwenkt. Trek de extra handgreep **(10)** dan weer terug en draai het onderste deel in draairichting **⚙** weer vast.

Boordiepte instellen (zie afbeelding A)

Met de diepteanslag **(27)** kan de gewenste boordiepte **X** vastgelegd worden.

Draai het onderste deel van de extra handgreep **(10)** linksom en breng de diepteanslag **(17)** aan.

Trek de diepteanslag zo ver naar buiten dat de afstand tussen de punt van de boor en de punt van de diepteanslag overeenkomt met de gewenste boordiepte **X**.

- Het gebruikte accessoire mag niet buiten de stofvangring (15) uitsteken.
- Let erop dat de afzuigvoorziening goed aansluit op het werkstuk of de muur. Op deze manier wordt tevens boren in een rechte hoek gemakkelijker gemaakt.
- Werk bij het gebruik van de afzuigvoorziening altijd met maximaal toerental.
- Na het bereiken van de gewenste boordiepte trekt u eerst de boor het boorgat en schakelt u vervolgens de klopboormachine uit.
- Controleer regelmatig de toestand van het filterelement (24). Vervang bij beschadiging het filterelement onmiddellijk.

Stofafzuiging wegnemen/aanbrengen (zie afbeelding F)

Voor het wegnemen van de stofafzuiging drukt u op de ontgrendelingsstoets (8) en trekt u de stofafzuiging er naar voren toe af.

Draai hiervoor eventueel de extra handgreep (10) opzij.

Voor het aanbrengen van de stofafzuiging (12) schuift u deze met de geleidingsgroeven (23) in de opname op het elektrische gereedschap tot deze hoorbaar vastklikt.

Eigen afzuiging met stofbox (zie afbeelding G)

Het vulniveau van de stofbox (9) kan gemakkelijk worden gecontroleerd door de transparante klep (26).

Maak de stofbox op tijd leeg, omdat anders de zuigcapaciteit nadelig wordt beïnvloed.

Voor het wegnemen van de stofbox (9) drukt u op de beide ontgrendelingsstoetsen (25) en trekt u de stofbox naar beneden toe uit de stofafzuiging (12).

Voor het openen van de stofbox (9) dient u deze licht op een vaste ondergrond te kloppen, om het stof los te maken van het filterelement (24).

Duw de klep (26) aan de onderkant open en maak de stofbox leeg.

Controleer het filterelement (24) op beschadigingen. Vervang het bij beschadigingen onmiddellijk.

Sluit de klep (26) en schuif de stofbox weer van onderaf in de stofafzuiging 13 tot deze hoorbaar vastklikt.

Filterelement verwisselen (zie afbeelding H)

Om de filtercapaciteit te behouden, moet het filterelement (24) van de stofbox (9) na ca. 15 gebruiksuren worden verwisseld.

Voor het wegnemen van de stofbox (9) drukt u op de beide ontgrendelingsstoetsen (25) en trekt u de stofbox naar beneden toe uit de stofafzuiging (12).

Neem het filterelement (24) naar boven toe weg en plaats een nieuw filterelement.

Schuif de stofbox weer van onderaf in de stofafzuiging (12) tot deze hoorbaar vastklikt.

Aanwijzing: Vervang het filterelement (24) onmiddellijk, wanneer het beschadigd is (bijv. gaten, beschadiging van het zachte afdichtingsmateriaal). Bij het werken met een defect filterelement kan het elektrische gereedschap beschadigd worden. Verwissel het filterelement (24) eveneens,

lange uiteinde van de binnenzeskantsleutel (22) worden losgemaakt. Verwijder de binnenzeskantsleutel uit de snelspanboorhouder en schroef de snelspanboorhouder er volledig af.

Bij elektrische gereedschappen met tandkransboorhouder vindt de demontage op dezelfde wijze plaats zoals hierboven beschreven.

Bij elektrische gereedschappen met snelspanboorhouder kan in plaats van de binnenzeskantsleutel (22) een steek-sleutel (sleutelwijdte 19 mm) op de boorhouder worden gezet.

Boorhouder monteren (zie afbeelding E)

De montage van de snelspan- of tandkransboorhouder vindt plaats in omgekeerde volgorde.



De boorhouder moet met een aanhaalmoment van ca. 50 - 55 Nm worden vastgedraaid.

- **Verwijder na de montage van de boorhouder de stalen pen weer uit het boorgat.**

Stofafzuiging/stofreservoir

Stof van materialen zoals loodhoudende verf, enkele houtsoorten, mineralen en metaal kan schadelijk voor de gezondheid zijn. Aanraking of inademing van stof kan leiden tot allergische reacties en/of luchtwegaandoeningen bij de gebruiker of personen die zich in de omgeving bevinden.

Bepaalde soorten stof, bijvoorbeeld van eiken- en beukenhout, gelden als kankerverwekkend, in het bijzonder in combinatie met additieven voor houtbehandeling (chromaat en houtbeschermingsmiddelen). Asbesthoudend materiaal mag alleen door gespecialiseerde vakmensen worden bewerkt.

- Gebruik indien mogelijk een voor het materiaal geschikte stofafzuiging.
- Zorg voor een goede ventilatie van de werkplek.
- Er wordt geadviseerd om een stofmasker met filterklasse P2 te dragen.

Neem de in uw land geldende voorschriften voor de te bewerken materialen in acht.

- **Gebruik de afzuigvoorziening alleen bij de bewerking van beton, steen en baksteen.** Hout- en kunststofspaan kunnen gemakkelijk tot verstoppingen leiden.
- **Let op brandgevaar! Bewerk met gemonteerde afzuigvoorziening geen metalen materialen.** Hete metaalspanen kunnen delen van het stofreservoir doen ontbranden.
- **Vermijd ophoping van stof op de werkplek.** Stof kan gemakkelijk ontbranden.

Aanwijzing: Gebruik de stofafzuiging (12) niet bij het schroeven of draadsnijden.

De stofafzuiging (12) veert bij het werken terug, zodat de stofvangring altijd dicht tegen de ondergrond wordt gehouden. De stofafzuiging wordt automatisch met het elektrische gereedschap in- en uitgeschakeld.

Neem de volgende aanwijzingen in acht voor een optimaal afzuigresultaat:

Rechtsdraaien: Voor boorwerkzaamheden en het indraaien van schroeven duwt u de draairichtingsschakelaar (4) aan de linkerkant omlaag en tegelijkertijd aan de rechterkant omhoog.

Linksdraaien: Voor het losdraaien resp. het eruit draaien van schroeven en moeren duwt u de draairichtingsschakelaar (4) aan de linkerkant omhoog en tegelijkertijd aan de rechterkant omlaag.

Functie instellen

Boren en schroeven

Zet de schakelaar (3) op het symbool „Boren“.



Klopboeren

Zet de schakelaar (3) op het symbool „Klopboeren“.



De schakelaar (3) vergrendelt voelbaar en kan ook bij draaiende motor worden bediend.

Mechanische toerentalkeuze

- **U kunt de toerentalkeuze (2) bij langzaam draaiend elektrisch gereedschap bedienen. Dit moet niet bij stilstand, maximale belasting of maximaal toerental worden gedaan.**

Met de toerentalkeuze (2) kunnen twee toerentalbereiken ingesteld worden.

Stand I:

Laag toerentalbereik. Voor werkzaamheden met een grote boordiameter en voor het in- en uitdraaien van schroeven.



Stand II:

Hoog toerentalbereik. Voor werkzaamheden met een kleine boordiameter.



Als de toerentalkeuze (2) niet tot aan de aanslag gedraaid kan worden, draait u de uitgaande as met de boor iets.

In-/uitschakelen

Druk voor **ingebruikname** van het elektrische gereedschap op de aan/uit-schakelaar (7) en houd deze ingedrukt.

Voor het **vastzetten** van de ingedrukte aan/uit-schakelaar (7) de vastzetknop (5) indrukken.

Voor het **uitschakelen** van het elektrische gereedschap de aan/uit-schakelaar (7) loslaten of als deze is vergrendeld met de vastzetknop (5), de aan-/uitschakelaar (7) kort indrukken en dan loslaten.

Overbelastingskoppeling

Voor het begrenzen van hoge reactiemomenten is het elektrische gereedschap voorzien van een overbelastingskoppeling (Anti-Rotati-on = anti-rotatie).



- **Als het inzetgereedschap vastklemt of vasthaakt, wordt de aandrijving van de uitgaande as onderbroken. Houd het elektrische gereedschap vanwege de optredende krachten altijd goed met beide handen vast en ga in een stabiele positie staan.**

wanneer de zuigcapaciteit ook bij leeggemaakte stofbox (9) onvoldoende is.

Boordiepte instellen (zie afbeelding I)

Met de diepteaanslag (27) kan de gewenste boordiepte X vastgelegd worden.

Bevestig een boor in de boorhouder en span de boor, zie hoofdstuk 'Accessoire wisselen'. Plaats het elektrische gereedschap zonder het in te schakelen stevig op de plaats waar moet worden geboord, tot de boor het oppervlak raakt. Druk op de toets voor instelling van de diepteaanslag (14) en verschuif de diepteaanslag (27) zodanig dat de in de afbeelding getoonde afstand X overeenkomt met de door u gewenste boordiepte.

Stofafzuiging aan accessoirelengte aanpassen (zie afbeelding J)

Voor comfortabeler werken met korte accessoires kan de lengte van de stofafzuiging (12) worden aangepast.

Druk op de toets (11) en schuif de telescoopgeleiding (13) bij ingedrukte toets zo ver in de stofafzuiging (12) tot de stofvangring zich dichtbij de punt van het accessoire bevindt.

Om de telescoopgeleiding weer uit te schuiven, drukt u op nieuw op de toets (11).

Stofvangring voor boren (zie afbeelding K)

De stofvangring voor boren (15) kan worden uitgerust met rubber ringen (28) in twee maten. Gebruik voor boorgaten tot een diameter van 12 mm de rubber ring K1 met kleine opening. Gebruik voor grotere boorgaten de rubber ring K2 met grote opening.

Voor het wisselen van de rubber ring (28) duwt u deze naar achter toe uit de stofvangring (15). Als u de rubber ring wilt aanbrengen, zet u de rubber ring op de stofvangring en duwt u deze vast.

Voor het wisselen van de stofvangring (15) drukt u op de ontgrendelingsknop (29) en trekt u de stofvangring uit de stofafzuiging.

Voor het aanbrengen duwt u de stofvangring (15) van bovenaf in de stofafzuiging (12) tot deze hoorbaar vastklikt.

Gebruik

Ingebruikname

- **Let op de netspanning! De spanning van de stroombron moet overeenkomen met de gegevens op het typeplaatje van het elektrische gereedschap. Met 230 V aangeduide elektrische gereedschappen kunnen ook met 220 V worden gebruikt.**

Draairichting instellen (zie afbeelding L - M)

- **Bedien de draairichtingsschakelaar (4) alleen bij stilstand van het elektrische gereedschap.**

Met de draairichtingsschakelaar (4) kunt u de draairichting van het elektrische gereedschap veranderen. Bij ingedrukte aan/uit-schakelaar (7) is dit echter niet mogelijk.

Klantenservice en gebruiksadvies

Onze klantenservice beantwoordt uw vragen over reparatie en onderhoud van uw product en over vervangingsonderdelen. Explosietekeningen en informatie over vervangingsonderdelen vindt u ook op: www.bosch-pt.com

Het Bosch-gebruiksadviessteam helpt u graag bij vragen over onze producten en accessoires.

Vermeld bij vragen en bestellingen van vervangingsonderdelen altijd het uit tien cijfers bestaande productnummer volgens het typeplaatje van het product.

België

Tel.: (02) 588 0589

Fax: (02) 588 0595

E-Mail : outillage.gereedschap@be.bosch.com

Nederland

Tel.: (076) 579 54 54

Fax: (076) 579 54 94

E-mail: gereedschappen@nl.bosch.com

Afvalverwijdering

Elektrische gereedschappen, accessoires en verpakkingen moeten op een voor het milieu verantwoorde wijze worden gerecycled.



Gooi elektrische gereedschappen niet bij het huisvuil!

Alleen voor landen van de EU:

Volgens de Europese richtlijn 2012/19/EU betreffende elektrische en elektronische oude apparaten en de omzetting van de richtlijn in nationaal recht moeten niet meer bruikbare elektrische gereedschappen apart worden ingezameld en op een voor het milieu verantwoorde wijze worden hergebruikt.

Dansk

Sikkerhedsinstrukser

Generelle sikkerhedsanvisninger for el-værktøj

Læs alle sikkerhedsadværslere, **ADVARSEL** instruktioner, illustrationer og specifikationer, som følger med el-værktøjet. I tilfælde af manglende overholdelse af anvisningerne nedenfor er der risiko for elektrisk stød, brand og/eller alvorlige personskader.

Opbevar alle sikkerhedsinstrukser og anvisninger til senere brug.

Betegnelsen "el-værktøj" i adværslerne refererer til dit (ledningsforbundne) el-værktøj tilsluttet lysnettet eller til batteridrevet (ledningsfrit) el-værktøj.

- **Schakel het elektrisch gereedschap uit en maak het inzetgereedschap los, als het elektrisch gereedschap blokkeert. Er ontstaan grote reactiemomenten als u het elektrische gereedschap inschakelt terwijl het boorgereedschap geblokkeerd is.**

Toerental of aantal slagen instellen

U kunt het toerental / aantal slagen van het ingeschakelde elektrische gereedschap traploos regelen naarmate u de aan/uit-schakelaar **(7)** indrukt.

Lichte druk op de aan/uit-schakelaar **(7)** heeft een laag toerental / aantal slagen tot gevolg. Met toenemende druk wordt het toerental of het aantal slagen hoger.

Toerental of aantal slagen vooraf instellen

Met het stelwiel toerentalinstelling **(6)** kunt u het gewenste toerental / aantal slagen ook tijdens het draaien van de machine vooraf instellen.

Het vereiste toerental of het aantal slagen is afhankelijk van het materiaal en de werkomstandigheden en kan proefondervindelijk worden vastgesteld.

Aanwijzingen voor de werkzaamheden

- **Trek vóór werkzaamheden aan het elektrische gereedschap altijd de stekker uit het stopcontact.**
- **Plaats het elektrische gereedschap alleen uitgeschakeld op de moer/schroef.** Draaiende inzetgereedschappen kunnen wegglijden.

Na langere tijd werken met een klein toerental moet u het elektrische gereedschap ter afkoeling ca. 3 minuten lang bij maximaal toerental onbelast laten draaien.

Zet de schakelaar **(3)** voor het boren van tegels op het symbool „Boren“. Na het doorboren van de tegel zet u de schakelaar op het symbool „Klopboeren“ en werkt u verder met slag. Bij werkzaamheden in beton, steen en metselwerk gebruikt u hardmetaalboren.

Gebruik voor het boren in metaal alleen onbeschadigde, scherpe HSS-boren (HSS = high-speed steel). De vereiste kwaliteit wordt gewaarborgd door het **Bosch** accessoireprogramma.

Met het borenslijpparaat (accessoire) kunt u spiraalboren met een diameter van 2,5 - 10 mm moeiteloos slijpen.

Onderhoud en service

Onderhoud en reiniging

- **Trek vóór werkzaamheden aan het elektrische gereedschap altijd de stekker uit het stopcontact.**
- **Houd het elektrische gereedschap en de ventilatieopeningen altijd schoon om goed en veilig te werken.**

Wanneer een vervanging van de aansluitkabel noodzakelijk is, dan moet dit door **Bosch** of een geautoriseerde klantenservice voor elektrische gereedschappen van **Bosch** worden uitgevoerd om veiligheidsrisico's te vermijden.

el-værktøjet ikke er tændt, når det slutes til nettet, da dette øger risikoen for personskader.

- ▶ **Gør det til en vane altid at fjerne indstillingsværktøj eller skruenøgle, før el-værktøjet startes.** Hvis et stykke værktøj eller en nøgle sidder i en roterende maskindel, er der risiko for personskader.
- ▶ **Undgå en unormal legemsposition. Sørg for at stå sikkert, mens der arbejdes, og kom ikke ud af balance.** Dermed har du bedre muligheder for at kontrollere el-værktøjet, hvis der skulle opstå uventede situationer.
- ▶ **Brug egnet arbejdstøj. Undgå løse beklædningsgenstande eller smykker. Hold hår og tøj væk fra dele, der bevæger sig.** Dele, der er i bevægelse, kan gribe fat i løstsiddende tøj, smykker eller langt hår.
- ▶ **Hvis støvudsugnings- og opsamlingsudstyr kan monteres, er det vigtigt, at dette tilsluttes og benyttes korrekt.** Brug af en støvopsugning kan reducere støvmængden og dermed den fare, der er forbundet med støv.
- ▶ **Selvom du kender værktøjet godt og er vant til at bruge det, skal du alligevel være opmærksom og overholde sikkerhedsanvisningerne.** Et øjeblik uopmærksomhed kan medføre alvorlige personskader.

Omhyggelig omgang med og brug af el-værktøj

- ▶ **Undgå overbelastning af el-værktøjet. Brug altid el-værktøj, der er beregnet til det stykke arbejde, der skal udføres.** Med det passende el-værktøj arbejder man bedst og mest sikkert inden for det angivne effektområde.
- ▶ **Brug ikke el-værktøj, hvis afbryderen er defekt.** El-værktøj, der ikke kan startes eller stoppes, er farligt og skal repareres.
- ▶ **Træk stikket ud af stikkontakten og/eller fjern batteriet, hvis det kan tages af, før el-værktøjet justeres, før skift af tilbehørsdele og før el-værktøjet lægges til opbevaring.** Disse sikkerhedsforanstaltninger forhindrer utilsigtet start af el-værktøjet.
- ▶ **Opbevar ubenyttet el-værktøj uden for børns rækkevidde. Lad aldrig personer, der ikke er fortrolige med el-værktøjet eller ikke har gennemlæst disse instrukser, benytte el-værktøjet.** El-værktøj er farligt, hvis det benyttes af ukyndige personer.
- ▶ **Vedligehold el-værktøj og tilbehørsdele. Kontroller, om bevægelige maskindele fungerer korrekt og ikke sidder fast, og om delene er brækket eller beskadiget, således at el-værktøjets funktion påvirkes. Få beskadigede dele repareret, inden el-værktøjet tages i brug.** Mange uheld skyldes dårligt vedligeholdt el-værktøj.
- ▶ **Sørg for, at skæreværktøjer er skarpe og rene.** Omhyggeligt vedligeholdt skæreværktøjer med skarpe skærekanter sætter sig ikke så hurtigt fast og er nemmere at føre.
- ▶ **Brug el-værktøj, tilhører, indsatsværktøj osv. iht. disse instrukser. Tag hensyn til arbejdsforholdene og det arbejde, der skal udføres.** Anvendelse af el-værktøjet til

Sikkerhed på arbejdspladsen

- ▶ **Hold arbejdsområdet rent og godt oplyst.** Rodede eller mørke områder kan medføre ulykker.
- ▶ **Brug ikke el-værktøjet i eksplosionsfarlige omgivelser, hvor der findes brændbare væsker, gasser eller støv.** El-værktøj kan slå gnister, der kan antænde støv eller dampe.
- ▶ **Sørg for, at andre personer og ikke mindst børn holdes væk fra arbejdsområdet, når el-værktøjet er i brug.** Hvis man distraheres, kan man miste kontrollen over maskinen.

Elektrisk sikkerhed

- ▶ **El-værktøjets stik skal passe til kontakten. Stikket må under ingen omstændigheder ændres. Brug ikke adapterstik sammen med jordforbundet el-værktøj.** Uændrede stik, der passer til kontakterne, nedsætter risikoen for elektrisk stød.
- ▶ **Undgå kropskontakt med jordforbundne overflader som f. eks. rør, radiatorer, komfurer og køleskabe.** Hvis din krop er jordforbundet, øges risikoen for elektrisk stød.
- ▶ **El-værktøj må ikke udsættes for regn eller fugt.** Indtrængen af vand i el-værktøj øger risikoen for elektrisk stød.
- ▶ **Brug ikke ledningen til formål, den ikke er beregnet til. Du må aldrig bære el-værktøjet i ledningen, hænge el-værktøjet op i ledningen eller rykke i ledningen for at trække stikket ud af kontakten. Beskyt ledningen mod varme, olie, skarpe kanter eller maskindele, der er i bevægelse.** Beskadigede eller indviklede ledninger øger risikoen for elektrisk stød.
- ▶ **Hvis el-værktøjet benyttes i det fri, må der kun benyttes en forlængerledning, der er egnet til udendørs brug.** Brug af forlængerledning til udendørs brug nedsætter risikoen for elektrisk stød.
- ▶ **Hvis det ikke kan undgås at bruge el-værktøjet i fugtige omgivelser, skal der bruges et HFI-relæ.** Brug af et HFI-relæ reducerer risikoen for at få elektrisk stød.

Personlig sikkerhed

- ▶ **Det er vigtigt at være opmærksom og holde øje med, hvad man laver, og bruge el-værktøjet fornuftigt. Brug ikke el-værktøj, hvis du er træt, har indtaget alkohol eller er påvirket af medikamenter eller euforiserende stoffer.** Få sekunders uopmærksomhed ved brug af el-værktøjet kan føre til alvorlige personskader.
- ▶ **Brug personligt beskyttelsesudstyr. Brug altid beskyttelsesbriller.** Brug af sikkerhedsudstyr som f. eks. støvmaske, skridsikkert fodtøj, beskyttelseshjelm eller høreværn afhængig af maskintype og anvendelse nedsætter risikoen for personskader.
- ▶ **Undgå utilsigtet igangsætning. Kontrollér, at el-værktøjet er slukket, før du tilslutter det til strømtilførslen og/eller batteriet, løfter eller bærer det.** Undgå at bære el-værktøjet med fingeren på afbryderen og sørg for, at

- **Vent, til el-værktøjet står helt stille, før du lægger det fra dig.** Indsatsværktøjet kan sætte sig i klemme, hvilket kan medføre, at man taber kontrollen over el-værktøjet.

Produkt- og ydelsesbeskrivelse

Læs alle sikkerhedsinstruktioner og anvisninger. Overholdes sikkerhedsinstruktionerne og anvisningerne ikke, er der risiko for elektrisk stød, brand og/eller alvorlige kvæstelser.



Vær opmærksom på alle illustrationer i den forreste del af betjeningsvejledningen.

Beregnet anvendelse

Elværktøjet er beregnet til slagboring i tegl, beton og sten samt til boring i træ, metal, keramik og plast. Maskiner med elektronisk regulering og højre-/venstreløb er også egnet til skrining og gevindskæring.

Illustrerede komponenter

Nummereringen af de illustrerede komponenter refererer til illustrationen af el-værktøjet på illustrationssiden.

- (1) Selvspændende borepatron
- (2) Gearomskifter
- (3) Omskifter "boring/slagboring"
- (4) Retningsomskifter
- (5) Låseknop til tænd/sluk-knap
- (6) Indstillingshjul til forval af omdrejningstal
- (7) Tænd/sluk-knap
- (8) Oplåsningsknop til støvudsugning
- (9) Støvboks komplet (Microfilter-system)
- (10) Ekstrahåndtag (isoleret grebsflade)^{A)}
- (11) Knap til indstilling af teleskopføring
- (12) Støvudsugning
- (13) Teleskopføring
- (14) Knap til indstilling af dybdeanslag
- (15) Støvpfangningsring til bor
- (16) Håndgreb (isoleret grebsflade)
- (17) Dybdeanslag^{A)}
- (18) Skruebit^{A)}
- (19) Universalbitholder^{A)}
- (20) Borepatronnøgle^{A)}
- (21) Tandkransborepatron^{A)}
- (22) Unbrakonøgle^{B)}
- (23) Føringsnot til støvudsugning
- (24) Filterelement (Microfilter-system)
- (25) Oplåsningsknop til støvboks
- (26) Klap til støvboks
- (27) Dybdeanslag (støvudsugning)^{A)}
- (28) Gummiring til støvpfangningsring

formål, som ligger uden for det fastsatte anvendelsesområde, kan føre til farlige situationer.

- **Hold håndtag og gribeblader tørre, rene og fri for olie og smørefedt.** Hvis håndtag og gribeblader er glatte, kan værktøjet ikke håndteres og styres sikkert, hvis der sker noget uventet.

Service

- **Sørg for, at el-værktøj kun reparerer af kvalificerede fagfolk og at der kun benyttes originale reservedele.** Dermed sikres størst mulig maskinsikkerhed.

Sikkerhedsadvarsler for boremaskiner

Sikkerhedsanvisninger for alle arbejdsopgaver

- **Brug høreværn ved slagboring.** Udsættelse for støj kan forårsage høreskade.
- **Brug ekstrahåndtaget/ekstrahåndtagene.** Hvis du mister kontrollen, kan der ske personskade.
- **Hold fast om el-værktøjets isolerede gribeblader, når du udfører arbejde, hvor skæretilbehøret eller befæstelseselementet kan komme i kontakt med skjulte kabler eller værktøjets egen ledning.** Hvis skæretilbehøret eller befæstelseselementet kommer i kontakt med en "strømførende" ledning, kan blottede metaldele på el-værktøjet blive "strømførende", og der er risiko for elektrisk stød for brugeren.

Sikkerhedsanvisninger for brug af lange bor

- **Arbejd aldrig med højere hastighed end borets maksimale mærkehastighed.** Ved højere hastigheder har boret en tendens til at bøje, hvis det får lov til at rotere frit, hvilket kan medføre personskade.
- **Start altid med at bore ved en lav hastighed og med borets spids i kontakt med arbejdsemnet.** Ved højere hastigheder har boret en tendens til at bøje, hvis det får lov til at rotere frit, hvilket kan medføre personskade.
- **Udøv kun tryk i direkte linje med boret, og tryk ikke for hårdt.** Bor kan bøje og derved knække, hvilket kan medføre tab af kontrol og personskade.

Ekstra sikkerhedsanvisninger

- **Sluk straks for el-værktøjet, hvis indsatsværktøjet blokerer. Vær forberedt på store reaktionsmomenter, der forårsager et tilbageslag.** Indsatsværktøjet blokerer, hvis el-værktøjet overbelastes, eller hvis det sætter sig fast i emnet, der skal bearbejdes.
- **Hold godt fast om el-værktøjet.** Der kan opstå høje kortvarige reaktionsmomenter under spænding og løsning af skruer.
- **Fastgør emnet.** Et emne holdes bedre fast med spændeanordninger eller skruestik end med hånden.
- **Anvend egnede søgeinstrumenter til at finde frem til skjulte forsyningsledninger, eller kontakt det lokale forsyningselskab.** Kontakt med elektriske ledninger kan føre til brand og elektrisk stød. Beskadigelse af en gasledning kan føre til eksplosion. Brud på et vandrør kan føre til materiel skade eller elektrisk stød.

Slagboremaskine GSB 19-2 REA

Beskyttelsesklasse ☐ / II

Angivelserne gælder for en nominal spænding [U] på 230 V. Ved afvigende spændinger og landespecifikke udførelser kan disse angivelser variere.

Støj-/vibrationsinformation

Støjemissionsværdier fundet iht. **EN 62841-2-1**.

El-værktøjets A-vægtede støjniveau er typisk: Lydtrykniveau **95 dB(A)**; lydeffektniveau **106 dB(A)**. Usikkerhed K = **5 dB**.

Brug høreværn!

Vibrationer samlet værdi a_h (vektorsum af tre retninger) og usikkerhed K fundet iht. **EN 62841-2-1**.

Boring i metal: $a_h = 3,0 \text{ m/s}^2$, K = **1,5 m/s²**.

Slagboring i beton: $a_h = 15 \text{ m/s}^2$, K = **2,0 m/s²**.

Skruing: $a_h < 2,5 \text{ m/s}^2$, K = **1,5 m/s²**.

Gevindskæring: $a_h < 2,5 \text{ m/s}^2$, K = **1,5 m/s²**.

Det svingningsniveau og støjemissionsniveau, der fremgår af anvisningerne, er målt iht. en standardiseret måleværdi og kan anvendes til sammenligning af elværktøj med hinanden. De er også egnede til en foreløbig vurdering af svingnings- og støjemissionen.

Det angivne svingnings- og støjemissionsniveau repræsenterer de væsentlige anvendelser af el-værktøjet. Hvis el-værktøjet dog anvendes til andre formål, med afvigende indsatsværktøj eller utilstrækkelig vedligeholdelse, kan svingnings- og støjemissionsniveauet afvige. Dette kan føre til en betydelig forøgelse af svingnings- og støjemissionen i hele arbejdsrummet.

Til en nøjagtig vurdering af svingnings- og støjemissionen bør der også tages højde for de tider, i hvilke værktøjet er slukket eller godt nok kører, men rent faktisk ikke anvendes. Dette kan føre til en betydelig reduktion af svingnings- og støjemissionsniveauet i hele arbejdsrummet.

Fastlæg ekstra sikkerhedsforanstaltninger til beskyttelse af brugeren mod svingningers virkning som f.eks.: Vedligeholdelse af el-værktøj og indsatsværktøj, holde hænder varme, organisation af arbejdsforløb.

Montering

► **Træk stikket ud af stikkontakten, før der udføres arbejde på el-værktøjet.**

Ekstrahåndtag

► **Brug kun dit elværktøj med ekstrahåndtaget (10).**

Du kan montere ekstrahåndtaget (10) i 12 forskellige positioner for at opnå en sikker og mindre trættende arbejdsstilling.

Drej det nederste grebstykke på ekstrahåndtaget (10) i rotationsretning ① og skub ekstrahåndtaget (10) så langt frem, at du kan dreje det i den ønskede position. Træk herefter ekstrahåndtaget (10) tilbage igen, og spænd igen det nederste grebstykke fast i rotationsretning ②.

(29) Oplåsningsknap til støvpfangningsring

- A) **Tilbehør, som er illustreret og beskrevet i betjeningsvejledningen, er ikke indeholdt i leveringen. Det fuldstændige tilbehør findes i vores tilbehørsprogram.**
- B) **Gængs (ikke indeholdt i leveringen)**

Tekniske data

Slagboremaskine	GSB 19-2 REA	
Varenummer	3 601 A7C 5..	
Nominel optagen effekt	W	900
Maks. afgivet effekt	W	455
Omdrejningstal, ubelastet		
- 1. gear	o/min	0-1000
- 2. gear	o/min	0-3000
Nominelt omdrejningstal		
- 1. gear	o/min	770
- 2. gear	o/min	1990
Slagtal ved omdrejningstal, ubelastet	min ⁻¹	51 000
Nominelt drejningsmoment		
- 1. gear	Nm	5,7
- 2. gear	Nm	2,2
Indstilling af omdrejningstal	●	
Højre-/venstreløb	●	
Tandkransborepatron	-	
Selvspændende borepatron	●	
Fuldautomatisk spindelås (Auto-Lock)	●	
Spindelhalsdiameter	mm	43
Maks. bor-Ø (1./2. trin)		
- Beton	mm	18/13
- Murværk	mm	20/15
- Stål	mm	13/8
- Træ	mm	40/25
Borepatronens spændeområde	mm	1,5-13
Sugekapacitet	l/min	460
Kapacitet støvboks (ved vandret borearbejde)		
- Huller 6 x 30 mm	Styk	130
- Huller 8 x 30 mm	Styk	75
- Huller 10 x 30 mm	Styk	45
Vægt iht. EPTA-Procedure 01:2014		
- med udsugningsanordning	kg	3,2
- uden udsugningsanordning	kg	2,6

kan den løsnes med et let slag på den lange del af unbrakonøglen (22). Fjern unbrakonøglen fra den selvspændende borepatron, og skru den selvspændende borepatron helt af. Ved el-værktøj med tandkransborepatron gennemføres demonteringen som beskrevet ovenfor.

Hvis el-værktøjet er forsynet med en selvspændende borepatron, kan du sætte en gaffelnøgle (str. 19 mm) på borepatronen i stedet for unbrakonøglen (22).

Montering af borepatron (se billede C)

Monteringen af den selvspændende borepatron/tandkransborepatronen sker i omvendt rækkefølge.



Borepatronen skal spændes med et tilspændingsmoment på ca. 50-55 Nm.

- **Efter endt montering af borepatronen skal man tage stålstiften ud af boringen igen.**

Støvudsugning/støvbeholder

Støv fra materialer som f.eks. blyholdig maling, nogle træsorter, mineraler og metal kan være sundhedsfarlige. Berøring eller indånding af støv kan føre til allergiske reaktioner og/eller åndedræts sygdomme hos brugeren eller personer, der opholder sig i nærheden af arbejdspladsen.

Bestemt støv som f.eks. ege- eller bøgestøv gælder som kræftfremkaldende, især i forbindelse med ekstra stoffer til træbehandling (chromat, træbeskyttelsesmiddel). Asbestholdigt materiale må kun bearbejdes af fagfolk.

- Brug helst en støvopsugning, der egner sig til materialet.
- Sørg for god udluftning af arbejdspladsen.
- Det anbefales at bære åndeværn med filterklasse P2.

Overhold forskrifterne, der gælder i dit land vedr. de materialer, der skal bearbejdes.

- **Brug kun udsugningsanordningen, når der bearbejdes beton, tegl og mursten.** Træ- og plastspåner kan hurtigt forårsage tilstopning.
- **Pas på, brandfare! Bearbejd ikke metalholdige materialer, hvis udsugningsanordningen er monteret.** Varme metalspåner kan antænde dele af støvbeholderen.
- **Undgå at der samler sig støv på arbejdspladsen.** Støv kan let antænde sig selv.

Bemærk: Anvend ikke støvudsugningen (12) ved skruearbejde eller gevindskæring.

Støvudsugningen (12) fjeder tilbage under arbejdet, så støvpfangningsringen altid holdes tæt op ad undergrunden. Støvudsugningen tændes og slukkes automatisk sammen med el-værktøjet.

Overhold venligst følgende for at opnå et optimalt udsugningsresultat:

- Det anvendte indsatsværktøj må ikke rage ud over støvpfangningsringen (15).
- Sørg for at udsugningsanordningen flugter med kanten på emnet eller væggen. Derved bliver det samtidig lettere at bore i ret vinkel.
- Arbejd altid med maks. hastighed, når udsugningsanordningen er monteret.

Indstilling af boreddybde (se billede A)

Med dybdeanslaget (27) kan du bestemme den ønskede boreddybde X.

Drej det nederste grebsstykke på ekstrahåndtaget (10) mod uret, og sæt dybdeanslaget (17) i.

Træk dybdeanslaget så langt ud, at afstanden mellem spidsen af boret og spidsen af dybdeanslaget modsvarer den ønskede boreddybde X.

Spænd herefter det nederste grebsstykke på ekstrahåndtaget (10) fast igen ved at dreje det med uret.

Den riflede side på dybdeanslaget (17) skal pege opad.

Værktøjsskift

- **Brug beskyttelseshandsker ved værktøjsskift.** Borepatronen kan blive meget varm efter længere tids brug.

Selvspændende borepatron (se billede B)

Hvis der ikke trykkes på tænd/sluk-kontakten (7), låses borespindlen. Dette gør det nemt og hurtigt at skifte værktøjet i borepatronen.

Åbn den selvspændende borepatron (1) ved at dreje i rotationsretning ①, indtil værktøjet kan sættes i. Sæt værktøjet i.

Spænd muffen på den selvspændende borepatron (1) hårdt i rotationsretning ② med hånden, indtil muffen ikke længere klikker. Borepatronen låses derefter automatisk.

Låsen løsnes igen, hvis du drejer muffen med uret, når du vil fjerne værktøjet.

Tandkransborepatron (se billede C)

Åbn tandkransborepatronen (21) ved at dreje, indtil værktøjet kan sættes i. Sæt værktøjet i.

Sæt borepatronnøglen (20) i de pågældende borer på tandkransborepatronen (21), og spænd værktøjet ensartet fast.

Skruv værktøj

Ved anvendelse af skruebits (18) skal du altid bruge en universalbitholder (19). Brug kun skruebits, der passer til skruetehovedet.

Når der skal skrues, skal man altid sætte omskifteren „boring/slagboring“ (3) på symbolet „boring“.

Skift af borepatron

- **Træk stikket ud af stikkontakten, før der udføres arbejde på el-værktøjet.**

Afmontering af borepatron (se billede D)

Afmonter ekstrahåndtaget, og sæt gearomskifteren (2) i midterstilling mellem 1. og 2. gear.

Før en ca. 50 mm lang stålstift Ø 4 mm ind i boringen på spindelhalsen for at låse borespindlen.

Spænd en unbrakonøgle (22) med det korte skaft foran ind i den selvspændende borepatron (1).

Læg el-værktøjet på et stabilt underlag, f.eks. et arbejdsbord. Hold fast i el-værktøjet, og løs den selvspændende borepatron (1) ved at dreje unbrakonøglen (22) i rotationsretning ①. Hvis den selvspændende borepatron sidder fast,

Tilpasning af støvudsugningen til værktøjets længde (se billede J)

For at sikre komfortabelt arbejde med korte indsatsværktøjer kan støvudsugningens længde (12) tilpasses.

Tryk på knappen (11), og skub teleskopføringen (13) ind i støvudsugningen (12), mens du holder knappen inde, indtil støvopfangningsringen befinder sig i nærheden af spidsen på indsatsværktøjet.

Teleskopføringen køres ud igen ved at trykke på knappen (11) igen.

Støvopfangningsring til bor (se billede K)

Støvopfangningsringen til bor (15) kan udstyres med gummiringe (28) i to størrelser. Anvend til borer med en diameter indtil 12 mm gummiringen K1 med lille åbning, til store borer gummiringen K2 med stor åbning.

Gummiringen skiftes (28) ved at trykke den bagud og ud af støvopfangningsringen (15). Gummiringen sættes i ved at anbringe den på støvopfangningsringen og trykke den fast.

Støvopfangningsringen skiftes (15) ved at trykke på oplåsningsknappen (29) og trække støvopfangningsringen ud af støvudsugningen.

Støvopfangningsringen sættes i ved at trykke den (15) ind i støvudsugningen (12) oppefra, indtil den går hørbart i indgreb.

Brug

Ibrugtagning

- **Kontrollér netspændingen! Strømkildens spænding skal stemme overens med angivelserne på el-værktøjets typeskilt. El-værktøj til 230 V kan også tilsluttes 220 V.**

Indstilling af rotationsretning (se billede L - M)

- **Aktivér kun retningsomskifteren (4), når elværktøjet står stille.**

Med retningsomskifteren (4) kan du ændre el-værktøjets drejerejretning. Ved nedtrykket start-stop-kontakt (7) er dette imidlertid ikke muligt.

Højreløb: Ved boring og idrejning af skruer trykkes retningsomskifteren (4) nedad i venstre side og samtidig opad i højre side.

Venstreløb: Ved løsning og uddrejning af skruer og møtrikker trykkes retningsomskifteren (4) opad i venstre side og samtidig nedad i højre side.

Indstilling af driftstype

Boring og skruning

Sæt omskifteren (3) på symbolet „boring“.



Slagboring

Sæt omskifteren (3) på symbolet „slagboring“.

Skifteren (3) går hørbart i indgreb, og den kan også aktiveres, mens motoren kører.



- Når den ønskede boreddybde er nået, skal boret trækkes ud af borehullet, før slagboremaskinen slukkes.
- Kontrollér jævnligt tilstanden af filterelementet (24). Udskift straks filterelementet, hvis det er beskadiget.

Afmontering/montering af støvudsugning (se billede F)

Støvudsugningen afmonteres ved at trykke på oplåsningsknappen (8) og trække støvudsugningen fremad og af.

Sving i den forbindelse ekstrahåndtaget (10) til siden.

Støvudsugningen monteres (12) ved at skubbe den ind i føringsnoterne (23) på holderen på el-værktøjet, indtil den går hørbart i indgreb.

Egenudsugning med støvboks (se billede G)

Støvmængden i støvboksen (9) kontrolleres let via den gennemsigtige klap (26).

Tøm støvboksen rettidigt, da sugkapaciteten ellers forringes.

Støvboksen tages af (9) ved at trykke på de to oplåsningsknapper (25) og trække støvboksen ned og ud af støvudsugningen (12).

Før du åbner støvboksen (9), skal du banke den let mod et fast underlag for at løsne støvet fra filterelementet (24).

Tryk klappen (26) på undersiden, og tøm støvboksen.

Kontroller filterelementet (24) for skader. Skift det med det samme, hvis det er beskadiget.

Luk klappen (26), og skub støvboksen ind i støvudsugningen 13 igen, indtil den går hørbart i indgreb.

Udskiftning af filterelement (se billede H)

For at bevare filterkapaciteten skal filterelementet (24) til støvboksen (9) skiftes efter ca. 15 driftstimer.

Støvboksen (9) tages af ved at trykke på de to oplåsningsknapper (25) og trække støvboksen ned og ud af støvudsugningen (12).

Fjern filterelementet (24) ved at trække det opad, og sæt et nyt filterelement i.

Skub støvboksen ind i støvudsugningen igen nedefra (12), indtil den går hørbart i indgreb.

Bemærk: Skift filterelementet (24) med det samme, hvis det er beskadiget (f.eks. huller, beskadigelse af det bløde tætningsmateriale). El-værktøjet kan beskadiges, hvis der arbejdes med et defekt filterelement. Skift også filterelementet (24), hvis sugkapaciteten er utilstrækkelig, når støvboksen er tom (9).

Indstilling af boreddybde (se billede I)

Med dybdeanslaget (27) kan du bestemme den ønskede boreddybde X.

Sæt et bor i borepatronen, og spænd boret, se afsnittet om værktøjsskift. Sæt el-værktøjet fast på den flade, der skal bores i uden at tænde for det, til boret sidder på fladen.

Tryk på knappen til indstilling af dybdeanslag (14), og forskyd dybdeanslaget (27), så den afstand X, der ses på billedet, svarer til den ønskede boreddybde.

► **Sæt kun el-værktøjet på møtrikken/skruen i slukket tilstand.** Roterende indsatsværktøjer kan skride.

Efter længere tids arbejde med lavt omdrejningstal bør du lade el-værktøjet køle af ved at køre i tomgang med maksimalt omdrejningstal i ca. 3 minutter.

Sæt omskiften **(3)** på symbolet „boring“ for at bore i fliser. Når der er boret igennem flisen, skal du sætte omskifteren på symbolet „slagboring“ for at kunne arbejde med slag.

Brug hårdmetalbor ved arbejde i beton, sten og murværk.

Ved boring i metal skal der anvendes fejlfri, skarpe HSS-bor (HSS=High-Speed Steel). Du finder den rigtige kvalitet i **Bosch**-tilbehørsprogrammet.

Med borsliberen (tilbehør) kan du let slibe spiralbor med en diameter mellem 2,5–10 mm.

Vedligeholdelse og service

Vedligeholdelse og rengøring

- **Træk stikket ud af stikkontakten, før der udføres arbejde på el-værktøjet.**
- **El-værktøj og el-værktøjets ventilationsåbninger skal altid holdes rene for at sikre et godt og sikkert arbejde.**

Hvis det er nødvendigt at erstatte tilslutningsledningen, skal dette arbejde udføres af **Bosch** eller på et autoriseret serviceværksted for **Bosch** el-værktøj for at undgå farer.

Kundeservice og anvendelsesrådgivning

Kundeservice besvarer dine spørgsmål vedr. reparation og vedligeholdelse af dit produkt samt reservedele. Eksplosionstegninger og oplysninger om reservedele finder du også på: www.bosch-pt.com

Bosch-anvendelsesrådgivningsteamet hjælper dig gerne, hvis du har spørgsmål til produkter og tilbehørsdele.

Produktets 10-cifrede typenummer (se typeskilt) skal altid angives ved forespørgsler og bestilling af reservedele.

Dansk

Bosch Service Center

Telegrafvej 3

2750 Ballerup

På www.bosch-pt.dk kan der online bestilles reservedele eller oprettes en reparations ordre.

Tlf. Service Center: 44898855

Fax: 44898755

E-Mail: vaerktoej@dk.bosch.com

Bortskaffelse

El-værktøj, tilbehør og emballage skal genbruges på en miljøvenlig måde.



Smid ikke el-værktøj ud sammen med det almindelige husholdningsaffald!

Mekanisk gearvalg

- **Du kan aktivere gearomskifteren (2) når elværktøjet roterer langsomt. Gearomskifteren bør dog ikke aktiveres ved stilstand, ved fuldt belastning eller ved maksimalt omdrejningstal.**

Med gearvælgeren **(2)** kan du forvælge 2 omdrejningstalområder.

Gear I:

Lavt omdrejningstalsområde; til skrining eller til arbejde med stor bordiameter.



Gear II:

Højt omdrejningstalsområde; til arbejde med små bordiameter.



Drej drivspindelen med boret en smule, hvis gearomskifteren **(2)** ikke kan drejes til anslaget.

Tænd/sluk

Til **ibrugtagning** af el-værktøjet tryk på start-stop-kontakten **(7)** og hold den nede.

Den indtrykkede tænd/sluk-kontakt **(7)** låses ved at der trykkes på låseknappen **(5)**.

For at **slukke** elværktøjet skal du slippe tænd/sluk-kontakten **(7)** eller, hvis den er låst med låseknappen **(5)**, trykke kort på tænd/sluk-kontakten **(7)** og slippe den igen.

Overbelastningskobling

For at begrænse høje reaktionsmomenter er el-værktøjet udstyret med en overbelastningskobling (Anti-Rotation).



- **Hvis værktøjet sidder i klemme, afbryd rotationen. Hold altid godt fast i elværktøjet med begge hænder på grund af det kraftige moment, og sørg for at stå sikkert.**
- **Sluk straks for elværktøjet og løsn indsatsværktøjet, hvis det blokerer. Der opstår store reaktionsmomenter, hvis maskinen tændes med et blokeret boreværktøj.**

Indstilling af omdrejningstal/slagtal

Du kan regulere omdrejningstallet/slagtallet på det tændte elværktøj trinløst afhængigt af, hvor langt du trykker tænd/sluk-kontakten **(7)** ind.

Let tryk på tænd/sluk-kontakten **(7)** fører til et lavt omdrejningstal. Med tiltagende tryk øges omdrejningstallet/slagtallet.

Forvalg af omdrejningstal/slagtal

Med indstillingshjulet til forvalg af omdrejningstal **(6)** kan du forvælge omdrejningstal/slagtal og ændre det under arbejdet.

Det nødvendige omdrejningstal/slagtal afhænger af materialet og arbejdsbetingelserne og kan bestemmes ved et praktisk forsøg.

Arbejdsvejledning

- **Træk stikket ud af stikkontakten, før der udføres arbejde på el-værktøjet.**

Personssäkerhet

- ▶ **Var uppmärksam, kontrollera vad du gör och använd elverktyget med förnuft. Använd inte ett elverktyg när du är trött eller om du är påverkad av droger, alkohol eller mediciner.** Under användning av elverktyg kan även en kort ouppmärksamhet leda till allvarliga kroppsskador.
- ▶ **Använd personlig skyddsutrustning. Använd alltid skyddsglasögon.** Användning av personlig skyddsutrustning, som t. ex. dammfiltermask, halkfria säkerhetsskor, skyddshjälm och hörselskydd, som är anpassade för användningsområdet, reducerar risken för kroppsskada.
- ▶ **Undvik oavsiktlig igångsättning. Kontrollera att elverktyget är fränkopplat innan du ansluter stickproppen till vägguttaget och/eller ansluter/tar bort batteriet, tar upp eller bär elverktyget.** Om du bär elverktyget med fingret på strömställaren eller ansluter påkopplat elverktyg till nätströmmen kan olycka uppstå.
- ▶ **Ta bort alla inställningsverktyg och skruvnycklar innan du startar elverktyget.** Ett verktyg eller en nyckel i en roterande komponent kan medföra kroppsskada.
- ▶ **Undvik onormala kroppsställningar. Se till att du alltid står stadigt och håller balansen.** I detta fall kan du lättare kontrollera elverktyget i oväntade situationer.
- ▶ **Bär lämpliga arbetskläder. Bär inte löst hängande kläder eller smycken. Håll håret och kläderna borta från rörliga delar.** Löst hängande kläder, långt hår och smycken kan dras in av roterande delar.
- ▶ **När elverktyg används med dammsugnings- och uppsamlingsutrustning, se till att dessa är rätt monterade och används på korrekt sätt.** Användning av dammsugning minskar de risker damm orsakar.
- ▶ **Låt inte vanan att ofta använda verktygen göra att du blir slarvig och ignorerar verktygets säkerhetsprinciper.** En vårdslös åtgärd kan leda till allvarlig personskada inom bråkdelen av en sekund.

Korrekt användning och hantering av elverktyg

- ▶ **Överbelasta inte elverktyget. Använd rätt elverktyg för det jobb du tänker göra.** Med ett lämpligt elverktyg kan du arbeta bättre och säkrare inom angivet effektområde.
- ▶ **Ett elverktyg med defekt strömställare får inte längre användas.** Ett elverktyg som inte kan kopplas in eller ur är farligt och måste repareras.
- ▶ **Dra stickproppen ur vägguttaget och/eller ta bort batteriet, om det kan tas ut ur elverktyget, innan inställningar utförs, tillbehörsdelar byts ut eller elverktyget lagras.** Denna skyddsåtgärd förhindrar oavsiktlig inkoppling av elverktyget.
- ▶ **Förvara elverktygen oåtkomliga för barn. Låt elverktyget inte användas av personer som inte är förtrogna med dess användning eller inte läst denna anvisning.** Elverktygen är farliga om de används av oerfarna personer.

Gælder kun i EU-lande:

Iht. det europæiske direktiv 2012/19/EU om affald af elektrisk og elektronisk udstyr skal kasseret elektrisk udstyr indsamles separat og genbruges iht. gældende miljøforskrifter.

Svensk

Säkerhetsanvisningar

Allmänna säkerhetsanvisningar för elverktyg

Läs alla säkerhetsvarningar, **⚠ VARNING** instruktioner och specifikationer som tillhandahålls med detta elverktyg. Fel som uppstår till följd av att instruktionerna nedan inte följts kan orsaka elstöt, brand och/eller allvarliga personskador.

Förvara alla varningar och anvisningar för framtida bruk.

Begreppet Elverktyg hänför sig till nätdrivna elverktyg (med nätsladd) och till batteridrivna elverktyg (sladdlösa).

Arbetsplatssäkerhet

- ▶ **Håll ditt arbetsområde rent och väl upplyst.** Ostädade och mörka areor ökar olycksrisken.
- ▶ **Använd inte elverktyget i explosionsfarliga omgivningar när det t.ex. finns brännbara vätskor, gaser eller damm.** Elverktygen alstrar gnistor som kan antända dammet eller gaserna.
- ▶ **Håll under arbetet med elverktyget barn och obehöriga personer på betryggande avstånd.** Om du störs av obehöriga personer kan du förlora kontrollen över elverktyget.

Elektrisk säkerhet

- ▶ **Elverktygets stickpropp måste passa till vägguttaget. Stickproppen får absolut inte förändras. Använd inte adapterkontakter tillsammans med skyddsjordade elverktyg.** Oförändrade stickproppar och passande vägguttag reducerar risken för elstöt.
- ▶ **Undvik kroppskontakt med jordade ytor som t. ex. rör, värmeelement, spisar och kylskåp.** Det finns en större risk för elstöt om din kropp är jordad.
- ▶ **Skydda elverktyg mot regn och väta.** Tränger vatten in i ett elverktyg ökar risken för elstöt.
- ▶ **Missbruka inte nätsladden. Använd inte nätsladden för att bära eller hänga upp elverktyget och inte heller för att dra stickproppen ur vägguttaget.** Skadade eller tilltrasslade ledningar ökar risken för elstöt.
- ▶ **När du arbetar med ett elverktyg utomhus använd endast förlängningssladdar som är avsedda för utomhusbruk.** Om en lämplig förlängningssladd för utomhusbruk används minskar risken för elstöt.
- ▶ **Använd ett felströmsskydd om det inte är möjligt att undvika att elverktyget används i fuktig miljö.** Felströmsskyddet minskar risken för elstöt.

- ▶ **Håll i elverktyget väl.** Vid åtdragning eller lossning av skruvar kan höga reaktionsmoment uppstå under korta ögonblick.
- ▶ **Säkra arbetsstycket.** Ett arbetsstycke som är fastspänt i en uppspanningsanordning eller ett skruvstycke hålls säkrare än med handen.
- ▶ **Använd lämpliga detektorer för att lokalisera dolda försörjningsledningar eller konsultera det lokala eldistributionsbolaget.** Kontakt med elledningar kan orsaka brand och elstöt. En skadad gasledning kan leda till explosion. Inträngning i en vattenledning kan orsaka materiell skada eller elstöt.
- ▶ **Vänta tills elverktyget stannat helt innan du lägger bort det.** Insatsverktyget kan haka upp sig och leda till att du kan förlora kontrollen över elverktyget.

Produkt- och prestandabeskrivning

Läs igenom alla säkerhetsanvisningar och instruktioner. Fel som uppstår till följd av att säkerhetsinstruktionerna och anvisningarna inte följts kan orsaka elstöt, brand och/eller allvarliga personskador.



Beakta bilden i den främre delen av bruksanvisningen.

Ändamålsenlig användning

Elverktyget är avsett för slagborrning i tegel, betong och sten, samt för borrning i trä, metall, keramik och plast. Enheter med elektronisk reglering och höger-/vänstergång lämpar sig också för skruvning och gängskärning.

Illustrerade komponenter

Numreringen av komponenterna hänvisar till illustration av elverktyget på grafiksida.

- (1) Snabbchuck
- (2) Växelväljare
- (3) Omkopplare "Borra/skruva"
- (4) Riktningssomkopplare
- (5) Spärknapp för strömbrytare
- (6) Inställningshjul varvtalsförval
- (7) Strömbrytare
- (8) Upplåsningsknapp för dammsug
- (9) Dammbox komplett (mikrofiltersystem)
- (10) Stödhandtag (isolerad gripyta)^{A)}
- (11) Knapp för inställning av teleskopgejden
- (12) Dammsug
- (13) Teleskopgejd
- (14) Knapp för djupanslagsinställning
- (15) Dammfångring för borr
- (16) Handtag (isolerad greppyta)
- (17) Djupanslag^{A)}
- (18) Skruvbit^{A)}
- (19) Universalbithållare^{A)}

- ▶ **Underhåll elverktyg och tillbehör omsorgsfullt. Kontrollera att rörliga komponenter fungerar felfritt och inte kärvar, att komponenter inte brustit eller skadats och kontrollera orsaker som kan leda till att elverktygets funktioner påverkas menligt. Låt skadade delar repareras innan elverktyget tas i bruk.** Många olyckor orsakas av dåligt skötta elverktyg.
- ▶ **Håll skärverktygen skarpa och rena.** Omsorgsfullt skötta skärverktyg med skarpa egg kommer inte så lätt i kläm och går lättare att styra.
- ▶ **Använd elverktyget, tillbehör, insatsverktyg osv. enligt dessa anvisningar. Ta hänsyn till arbetsvillkoren och arbetsmomenten.** Om elverktyget används på ett sätt som det inte är avsett för kan farliga situationer uppstå.
- ▶ **Håll handtag och greppytorna torra, rena och fria från olja och fett.** Hala handtag och greppytorna ger ingen säker hantering och kontroll över verktyget i oväntade situationer.

Service

- ▶ **Låt endast kvalificerad fackpersonal reparera elverktyget och endast med originalreservdelar.** Detta garanterar att elverktygets säkerhet upprätthålls.

Säkerhetsanvisningar för bormaskiner

Säkerhetsinstruktioner för alla användningar

- ▶ **Låt endast hörselskydd vid slagborrning.** Exponering mot kraftigt buller kan leda till hörselskador.
- ▶ **Använd tilläggshandtag.** Om du förlorar kontrollen över verktyget så kan du skadas.
- ▶ **Håll elverktyget i de isolerade grippyterna när du utför ett arbete där skärtillbehören eller fästansordningen kan komma i kontakt med dolda kablar eller den egna elförsörjningskabel.** Vid kontakt med en strömförande ledning kan skärtillbehören eller fästansordningen på verktyget som är strömförande ge operatören en elektrisk stöt.

Säkerhetsinstruktioner vid arbete med långa borrar

- ▶ **Arbeta aldrig vid högre varvtal än borrarbitens högsta tillåtna varvtal.** Vid högre varvtal, kan borrarbiten böjas om det får rotera fritt utan kontakt med arbetsstycket, med personskador till följd.
- ▶ **Börja alltid borra med lågt varvtal och bitänden ska alltid ha kontakt med arbetsstycket.** Vid högre varvtal, kan borrarbiten böjas om det får rotera fritt utan kontakt med arbetsstycket, med personskador till följd.
- ▶ **Tryck endast i direkt linje med bitsen och applicera inte överdrivet tryck.** Bits kan böjas vilket orsakar brott eller kontrollförlust, med personskador till följd.

Ytterligare säkerhetsanvisningar

- ▶ **Om insatsverktyget låser i arbetsstycket, slå från elverktyget. Var beredd på stora reaktionsmoment, som förorsakar ett backslag.** Insatsverktyget låser i arbetsstycket när elverktyget överbelastas eller när det fastnar i arbetsstycket.

Slagborrmaskin	GSB 19-2 REA	
– Hål 10 x 30 mm	st	45
Vikt motsvarande EPTA-Procedure 01:2014		
– Med utsugningsanordning	kg	3,2
– Utan utsugningsanordning	kg	2,6
Skyddsklass		□ / II

Uppgifterna gäller för en märkspänning på [U] 230 V. Vid avvikande spänning och för utföranden i vissa länder kan uppgifterna variera.

Buller-/vibrationsdata

Bullernivåvärde beräknat enligt **EN 62841-2-1**.

Den A-klassade bullernivån hos elverktyg ligger typiskt på: bullertrycknivå **95 dB(A)**; bullernivå **106 dB(A)**. Osäkerhet $K = 5$ dB.

Bär hörselskydd!

Totala vibrationsvärden a_h (vektorsumma för tre riktningar) och osäkerhet K beräknad motsvarande **EN 62841-2-1**.

Borra i metall: $a_h = 3,0$ m/s², $K = 1,5$ m/s².

Slagborra i betong: $a_h = 15$ m/s², $K = 2,0$ m/s².

Skrubar: $a_h < 2,5$ m/s², $K = 1,5$ m/s².

Gängskärning: $a_h < 2,5$ m/s², $K = 1,5$ m/s².

Den vibrationsnivå och det bullervärde som anges i dessa anvisningar har uppmätts enligt en mätmetod som normerats och kan användas för att jämföra elverktyg med varandra. Mätmetoden är även lämplig för preliminär bedömning av vibrations- och bullernivån.

Den angivna vibrations- och bullernivån representerar den huvudsakliga användningen av elverktyget. Om däremot elverktyget används för andra ändamål, med andra insatsverktyg eller inte underhållits ordentligt kan vibrations- och bullernivån avvika. Då kan vibrations- och bullernivån under arbetsperioden öka betydligt under hela arbetstiden. För en exakt bedömning av vibrations- och bullernivån bör även de tider beaktas när elverktyget är avstängt eller är igång, men inte används. Detta reducerar vibrations- och bullerbelastningen för den totala arbetsperioden betydligt. Bestäm extra säkerhetsåtgärder för att skydda operatören mot vibrationernas inverkan t. ex.: underhåll av elverktyget och insatsverktygen, att hålla händerna varma, organisation av arbetsförloppen.

Montage

- **Drag stickproppen ur nätuttaget innan arbeten utförs på elverktyget.**

Tilläggs-handtag

- **Använd endast elverktyget med tilläggs-handtaget(10).**

Du kan placera tilläggs-handtaget **(10)** i 12 olika positioner för att få en säker och mindre uttröttande arbetsställning. Vrid handtaget på tilläggs-handtaget **(10)** i vridriktning **ⓐ** och skjut tilläggs-handtaget **(10)** så långt framåt tills du kan svänga den till önskad position. Därefter drar du tillbaka

- (20)** Chucknyckel^{A)}
- (21)** Kuggkranschuck^{A)}
- (22)** Insexnyckel^{B)}
- (23)** Styrspår för dammsug
- (24)** Filterelement (mikrofiltersystem)
- (25)** Upplåsningsknapp för filterbox
- (26)** Lucka för filterbox
- (27)** Djupanslag (dammsug)^{A)}
- (28)** Gummiring för dammfångringen
- (29)** Upplåsningsknapp för dammfångring

A) **I bruksanvisningen avbildat och beskrivet tillbehör ingår inte i standardleveransen. I vårt tillbehörsprogram beskrivs allt tillbehör som finns.**

B) **vanligt förekommande i handeln (ingår inte i leveransen)**

Tekniska data

Slagborrmaskin	GSB 19-2 REA	
Artikelnummer		3 601 A7C 5..
Upptagen märkeffekt	W	900
Max. avgiven effekt	W	455
Tomgångsvarvtal		
– 1:a växeln	v/min	0–1 000
– 2:a växeln	v/min	0–3 000
Märkvarvtal		
– 1:a växeln	v/min	770
– 2:a växeln	v/min	1990
Slagtal vid tomgångsvarvtal	min ⁻¹	51 000
Nominellt vridmoment		
– 1:a växeln	Nm	5,7
– 2:a växeln	Nm	2,2
Varvtalsförval		●
Höger-/vänstergång		●
Kuggkranschuck		–
Snabbchuck		●
Helautomatisk spindellåsning (Auto-Lock)		●
Spindeldiameter	mm	43
Max. borrhål (växel 1/2)		
– Betong	mm	18/13
– Murverk	mm	20/15
– Stål	mm	13/8
– Trä	mm	40/25
Borrhuckspännområde	mm	1,5–13
Sugeffekt	l/min	460
Kapacitet filterbox (vid vågrät borring)		
– Hål 6 x 30 mm	st	130
– Hål 8 x 30 mm	st	75

skaft (22). Ta bort insexnyckeln ur snabbchucken och skruva av snabbchucken helt och hållet.

På elverktyg med kuggkranschuck sker demontering på sätt som ovan.

På elverktyg med snabbchuck kan i stället för en insexnyckel (22) en fast nyckel (nyckelvidd 19 mm) läggas an mot chucken.

Montera borrchucken (se bild E)

Monteringen av snabb-/kuggkranschucken sker i omvänd ordning.



Borrchucken måste dras fast med åtdragningsmoment på ca. 50–55 Nm.

- **Avlägsna stålstiftet ur hålet igen efter montering av borrchucken.**

Dammutsug/dammbehållare

Dammet från material som t. ex. blyhaltig målning, vissa träslag, mineraler och metall kan vara hälsovådligt. Beröring eller inandning av dammet kan orsaka allergiska reaktioner och/eller andningsbesvär hos användaren eller personer som uppehåller sig i närheten.

Vissa damm från ek eller bok anses vara cancerogena, speciellt då i förbindelse med tillsatssämnen för träbehandling (kromat, träkonserveringsmedel). Endast yrkesmän får bearbeta asbesthaltigt material.

- Använd om möjligt en för materialet lämplig dammutsugning.
- Se till att arbetsplatsen är väl ventilerad.
- Vi rekommenderar ett andningsskydd i filterklass P2.

Beakta de föreskrifter som i aktuellt land gäller för bearbetat material.

- **Använd endast utsugsanordningen vid bearbetning av betong, tegel och mursten.** Trä- och plastspån kan lätt leda till igentäppning.
- **Varning för brand! Bearbeta inte material i metall med monterad utsugsanordning.** Heta metallspån kan antända delar av dammbehållaren.
- **Undvik dammanhopning på arbetsplatsen.** Damm kan lätt självantändas.

Observera: använd inte dammsuget (12) vid skruvdragnings eller gängskärning.

Dammutsuget (12) fjädrar tillbaka under arbetet, så att dammfångringen alltid ligger tätt an mot underlaget. Dammutsuget slås automatiskt till och från med elverktyget.

För optimalt utsugningsresultat beakta följande anvisningar:

- Insatsverktyget får inte sticka ut över dammfångringen (15).
- Se till att utsugningsanordningen ligger plant mot arbetsstycket eller väggen. Därmed underlättas en rätvinklig borring.
- När dammutsugningsanordningen används ska borring alltid ske med högsta varvtal.
- När önskat borr djup nåtts, dra först ut borren ur borrhålet och fränkoppla sedan maskinen.

tillägghandtaget (10) igen och vrider fast det nedre handtaget i vridriktning ② igen.

Ställa in borr djupet (se bild A)

Med djupanslaget (27) kan önskat borr djup X fastställas.

Vrid det nedre handtaget på stödhandtaget (10) motsols och sätt in djupanslaget (17).

Dra ut djupanslaget så långt att avståndet mellan borrets spets och djupanslagets spets motsvarar önskat borr djup X.

Dra därefter åt det nedre greppet på stödhandtaget (10) igen medsols.

Räfflorna på djupanslaget (17) måste peka uppåt.

Verktygsbyte

- **Bär skyddshandskar vid verktygsbyte.** Borrchucken kan bli väldigt varm vid långa arbetsprocesser.

Snabbspänningschuck (se bild B)

Om på-/av-strömbrytaren (7) inte trycks in låses borrspejeln. Detta möjliggör snabbt, bekvämt och enkelt byte av verktyg i borrchucken.

Öppna snabbspänningschucken (1) genom att vrida i vridriktningen ①, tills verktyget kan sättas in. Sätt in verktyget.

Vrid hylsan på snabbspänningschucken (1) i vridriktningen ② kraftigt för hand, tills den inte längre kuggar över.

Borrchucken låses därmed automatiskt.

Du låser upp igen när du tar bort verktyget genom att trycka in verktyget i hylsan och vrida motsols.

Kuggkranschuck (se bild C)

Öppna kuggkranschucken (21) genom att vrida tills verktyget kan skjutas in. Sätt in verktyget.

Sätt in chucknyckeln (20) i hålen på kuggkranschucken (21) och spänn fast verktyget jämnt.

Skruvdragarverktyg

Vid användning av skruvbits (18) bör man alltid använda en universalbitshållare (19). Använd endast skruvbits som passar till skruvhuvudet.

Ställ alltid omkopplaren "Borra/slagborra" (3) på symbolen "Borra" vid skruvning.

Byta borrchuck

- **Dra stickproppen ur nätuttaget innan arbeten utförs på elverktyget.**

Demontera borrchucken (se bild D)

Demontera tillsatshandtaget och för växelväljaren (2) till mittläget mellan den 1:a och 2:a växeln.

För ett stålstift med 4 mm i diameter med ca. 50 mm längd in i hålet på spindeln för att låsa borrspejeln.

Sätt in en insexnyckel (22) med dess korta ända i snabbchucken (1).

Lägg elverktyget på ett stabilt underlag, t. ex. en arbetsbänk. Håll fast elverktyget och lossa snabbchucken (1) genom att vrida insexnyckeln (22) i vridriktning ①. En snabbchuck som sitter fast lossas med ett lätt slag på insexnyckelns långa

Tryck på knappen **(11)** igen för att köra ut teleskopgejden.

Dammfångring för borr (se bild K)

Dammfångringen för borsten **(15)** kan försees med gummiringar **(28)** i två olika storlekar. Använd för borrhål upp till 12 mm diameter gummiringen K1 med liten öppning, för större borrhål gummiringen K2 med större öppning.

För att byta gummiringen **(28)** tryck den bakåt ur dammfångringen **(15)**. För montering lägg upp gummiringen på dammfångringen och tryck fast den.

För byte av dammfångringen **(15)** tryck på upplåsningsknappen **(29)** och dra dammfångringen ur dammsuget.

För insättning tryck dammfångringen **(15)** uppifrån in i dammsuget **(12)** tills den hörbart snäpper fast.

Drift

Driftstart

- **Beakta nätspänningen! Kontrollera att strömkällans spänning överensstämmer med uppgifterna på elverktygets typskylt. Elverktyg märkta med 230 V kan även anslutas till 220 V.**

Ställa in rotationsriktningen (se bild L - M)

- **Aktivera riktningomkopplaren (4) endast när elverktyget står stilla.**

Med riktningomkopplaren **(4)** kan elverktygets rotationsriktning ändras. Vid nedtryckt strömställare Till/ Från **(7)** kan omkoppling inte ske.

Högergång: För borrar och skruvning, skjut riktningomkopplaren **(4)** på vänster sida nedåt och samtidigt höger sida uppåt.

Vänstergång: För lossning eller utskruvning av skruvar och muttrar, skjut riktningomkopplaren **(4)** på vänster sida uppåt och samtidigt på höger sida nedåt.

Ställa in driftstyp

Borra och skruva

Ställ alltid omkopplaren **(3)** på symbolen "Borra".

Slagborrning

Ställ alltid omkopplaren **(3)** på symbolen "Slagborrning".

Omkopplaren **(3)** snäpper fast och kan också manövreras när motorn är igång.

Välja växel mekaniskt

- **Du kan trycka på växelväljaren (2) när elverktyget går långsamt. Detta bör emellertid inte ske när det står stilla, vid full belastning eller maximalt varvtal.**

Med växelväljaren **(2)** kan 2 varvtalsområden förväljas.

Växel I:

Lågt varvtalsområde, för arbete med stor borrhåldiameter eller för skruvning.



- Kontrollera regelbundet filterelementets **(24)** tillstånd. Vid skador på filterelementet, byt ut det omedelbart.

Ta av/sätta på dammsug (se bild F)

För att ta av dammsuget trycker du på upplåsningsknappen **(8)** och drar av dammsuget framåt. Sväng vid behov stödhandtaget **(10)** åt sidan.

För att sätta på dammsuget **(12)**, skjut det med gejdspåren **(23)** i fästet på elverktyget tills det snäpper fast hörbart.

Eget utsug med dammbox (se bild G)

Dammboxens nivå **(9)** kan enkelt kontrolleras genom den genomskinliga luckan **(26)**.

Töm filterboxen i god tid, i annat fall avtar sugeffekten.

För att ta ut dammboxen **(9)**, tryck på de båda upplåsningsknapparna **(25)** och dra dammboxen neråt ur dammsuget **(12)**.

Innan du öppnar dammboxen **(9)**, knacka den lätt mot ett stadigt underlag för att lossa dammet från filterelementet **(24)**.

Öppna luckan **(26)** på undersidan och töm dammboxen. Kontrollera att filterelementet **(24)** är oskadat. Ett skadat filter ska genast bytas ut.

Stäng luckan **(26)** och skjut in dammboxen underifrån i dammsuget 13 tills den snäpper fast hörbart.

Byta filterelement (se bild H)

För att upprätthålla filtrets effekt måste filterelementet **(24)** i dammboxen **(9)** bytas ut efter ca. 15 drifttimmar.

För att ta ut dammboxen **(9)**, tryck på de båda upplåsningsknapparna **(25)** och dra dammboxen neråt ur dammsuget **(12)**.

Ta ut filterelementet **(24)** uppåt och sätt in ett nytt filterelement.

Skjut in dammboxen underifrån igen i dammsuget **(12)** tills det snäpper fast hörbart.

Observera: byt ut filterelementet **(24)** direkt om det är skadat (t. ex. hål, skador i det mjuka tätningmaterialet). Om arbeten utförs med bristfälligt filterelement finns risk för att elverktyget skadas. Byt också ut filterelementet **(24)** om sugeffekten är otillräcklig även vid tömd dammbox **(9)**.

Ställa in borrhjupet (se bild I)

Med djupanslaget **(27)** kan önskat borrhjup **X** fastställas.

Sätt in en borr i chucken och spänn borsten, se avsnittet Verktygsbyte. Sätt stadigt upp frånslaget elverktyg mot arbetsstyckets yta så att borsten även ligger an mot ytan.

Tryck på knappen för inställning av djupanslag **(14)** och förskjut djupanslaget **(27)** så att det avstånd **X** som visas på bilden motsvarar önskat borrhjup.

Anpassa dammsuget till verktyglängden (se bild J)

För bekvämt arbete med korta insatsverktyg kan längden på dammsuget **(12)** anpassas.

Tryck på knappen **(11)** och skjut teleskopgejden **(13)** in i dammsuget **(12)** med intryckt knapp tills dammfångringen ligger nära insatsverktygets spets.

Använd endast felfria, skarpa HSS-borr (HSS=high speed steel) vid borrar i metall. Motsvarande kvalitet garanterar **Bosch** tillbehörsprogram.

Med borslapparen (tillbehör) kan du skarpa spiralborr med en diameter på 2,5 till 10 mm utan problem.

Underhåll och service

Underhåll och rengöring

► **Dra stickproppen ur nätuttaget innan arbeten utförs på elverktyget.**

► **Håll elverktyget och dess ventilationsöppningar rena för bra och säkert arbete.**

Om nätsladden för bibehållande av verktygets säkerhet måste bytas ut, ska byte ske hos **Bosch** eller en auktoriserad serviceverkstad för **Bosch** elverktyg.

Kundtjänst och applikationsrådgivning

Kundservice ger svar på frågor beträffande reparation och underhåll av produkter och reservdelar. Explosionsritningar och informationer om reservdelar hittar du också under:

www.bosch-pt.com

Boschs applikationsrådgivnings-team hjälper dig gärna med frågor om våra produkter och tillbehören till dem.

Ange alltid vid förfrågningar och reservdelsbeställningar det 10-siffriga produktnumret som finns på produktens typskylt.

Svenska

Bosch Service Center

Telegrafvej 3

2750 Ballerup

Danmark

Tel.: (08) 7501820 (inom Sverige)

Fax: (011) 187691

Avfallshantering

Elverktyg, tillbehör och förpackning ska omhändertas på miljövänligt sätt för återvinning.



Släng inte elverktyg bland hushållsavfallet!

Endast för EU-länder:

Enligt det europeiska direktivet 2012/19/EU om förbrukade elektriska och elektroniska apparater och dess omsättning i nationell rätt måste obrukbara elverktyg omhändertas separat och på ett miljövänligt sätt lämnas in för återvinning.

Växel II:

Växel : Högt varvtalsområde, för arbete med liten borrar diameter.



Om växelväljaren (2) inte kan skjutas helt till anslaget, vrids drivningsspindeln med borret något.

In- och urkoppling

Tryck för **start** av elverktyget ned strömställaren Till/Från (7) och håll den nedtryckt.

För att **fastställa** den intryckta strömbrytaren, (7) tryck på spärknappen (5).

För att **stänga av** elverktyget släpper du strömbrytaren (7), eller om den är låst med spärknappen (5) trycker du kort på strömbrytaren (7) och släpper den sedan.

Överbelastningskoppling

För att begränsa höga reaktionsmoment är elverktyget utrustat med en överbelastningskoppling (anti-rotation).



► **Om verktyget är fastklämt bryts drivningen av borrarspindeln. Håll på grund av de krafter som uppstår alltid elverktyget ordentligt med båda händer och stå stabilt.**

► **Stäng av elverktyget och lossa insatsverktyget om elverktyget blockerar. Vid inkoppling av ett blockerat borrarverktyg uppstår höga reaktionsmoment.**

Ställ in varvtal/slagtal

Varvtalet/slagtalet på inkopplat elverktyg kan justeras steglöst genom att mer eller mindre trycka ned på-/av-strömbrytaren (7).

Ett lätt tryck på på-/av-strömbrytaren (7) ger ett lågt varvtal. Med tilltagande tryck ökar varvtalet/slagtalet.

Välj varvtal/slagtal

Med inställningshjulet varvtalsval (6) kan du förvalja varvtalet/slagtalet och ändra det under gång.

Det erforderliga varvtalet/slagtalet beror på materialet och arbetsförhållanden och kan fastställas genom praktiska försök.

Arbetsanvisningar

► **Dra stickproppen ur nätuttaget innan arbeten utförs på elverktyget.**

► **Elverktyget ska vara avstängt när det förs mot muttern/skraven.** Roterande insatsverktyg kan slira bort.

Efter en längre tids arbete med små varvtal bör du låta elverktyget rotera i 3 minuter vid maximalt varvtal och utan belastning.

För att borra i kakel, ställ omkopplaren (3) på symbolen "Borra". Efter att kakelplattan har borrats igenom, ställ omkopplaren på symbolen "Slagborrning" och arbeta med slag.

Vid arbete i betong, sten och murverk, använd hårdmetallborr.

Bruk av en jordfeilbryter reduserer risikoen for elektrisk støt.

Personikkerhet

- ▶ **Vær oppmerksom, følg med på det du gjør og utvis sunn fornuft når du arbeider med et elektroverktøy. Ikke bruk elektroverktøy når du er trøtt eller er påvirket av alkohol eller andre rusmidler eller medikamenter.** Et øyeblikks uoppmerksomhet ved bruk av elektroverktøyet kan føre til alvorlige personskader.
- ▶ **Bruk personlig verneutstyr. Bruk alltid øyebeskyttelse.** Bruk av egnet personlig sikkerhetsutstyr som støvmaske, skliskle arbeidssko, hjelm eller hørselvern reduserer risikoen for skader.
- ▶ **Unngå utilsiktet start. Forviss deg om at elektroverktøyet er slått av før du kobler det til strømkilden og/eller batteriet, løfter det opp eller bærer det.** Hvis du holder fingeren på bryteren når du bærer elektroverktøyet eller kobler elektroverktøyet til strømmen i innkoblet tilstand, kan dette føre til uhell.
- ▶ **Fjern innstillingsverktøy eller skrunøkler før du slår på elektroverktøyet.** Et verktøy eller en nøkkel som befinner seg i en roterende verktøydel, kan føre til personskader.
- ▶ **Unngå en unormal kroppsholdning. Sørg for å stå riktig og stødig.** Dermed kan du kontrollere elektroverktøyet bedre i uventede situasjoner.
- ▶ **Bruk egnede klær. Ikke bruk vide klær eller smykker. Hold hår og klær unna deler som beveger seg.** Løstsittende tøy, smykker eller langt hår kan komme inn i deler som beveger seg.
- ▶ **Hvis det kan monteres støvavsugs- og -opsamlingsinnretninger, må du forvise deg om at disse er tilkoblet og brukes riktig.** Bruk av et støvavsug reduserer fare på grunn av støv.
- ▶ **Selv om du begynner å bli vant til å bruke verktøyet, må du ikke bli uoppmerksom og ignorere sikkerhetsreglene for verktøyet.** En uforsiktig handling kan forårsake alvorlig personskade i løpet av et brøkdels sekund.

Omhyggelig bruk og håndtering av elektroverktøy

- ▶ **Ikke overbelast elektroverktøyet. Bruk et elektroverktøy som er beregnet for arbeidsoppgaven.** Med et passende elektroverktøy arbeider du bedre og sikrere i det angitte effektområdet.
- ▶ **Ikke bruk elektroverktøyet hvis av/på-bryteren er defekt.** Et elektroverktøy som ikke lenger kan slås av eller på, er farlig og må repareres.
- ▶ **Trekk støpselet ut av strømkilden og/eller fjern batteriet (hvis demonterbart) før du utfører innstillinger på elektroverktøyet, skifter tilbehør eller legger bort maskinen.** Disse tiltakene forhindrer en utilsiktet start av elektroverktøyet.
- ▶ **Elektroverktøy som ikke er i bruk, må oppbevares utilgjengelig for barn. Ikke la personer som ikke er fortrolige med elektroverktøyet eller ikke har lest**

Norsk

Sikkerhetsanvisninger

Generelle sikkerhetsanvisninger for elektroverktøy

Les alle sikkerhetsanvisningene, **⚠ ADVARSEL** instruksjonene, illustrasjonene og spesifikasjonene som følger med dette elektroverktøyet. Manglende overholdelse av anvisningene nedenfor kan medføre elektrisk støt, brann og/eller alvorlige personskader.

Ta godt vare på alle advarslene og all informasjonen.

Med begrepet "elektroverktøy" i advarslene menes nettdrevne (med ledning) elektroverktøy eller batteridrevne (uten ledning) elektroverktøy.

Sikkerhet på arbeidsplassen

- ▶ **Sørg for at arbeidsplassen til enhver tid er ryddig og har god belysning.** Rot eller dårlig lys innebærer stor fare for uhell.
- ▶ **Bruk ikke elektroverktøy i eksplosjonsfarlige omgivelser, for eksempel der det finnes brennbare væsker, gasser eller støv.** Elektroverktøy lager gnister som kan antenne støv eller damp.
- ▶ **Hold barn og andre personer unna når et elektroverktøy brukes.** Hvis du blir forstyrret under arbeidet, kan du miste kontrollen over elektroverktøyet.

Elektrisk sikkerhet

- ▶ **Støpselet til elektroverktøyet må passe i stikkkontakten. Støpselet må ikke endres på noen måte. Bruk ikke adapterstøpsler sammen med jordede elektroverktøy.** Bruk av støpsler som ikke er forandret på og passende stikkontakter, reduserer risikoen for elektrisk støt.
- ▶ **Unngå kroppskontakt med jordede overflater som rør, radiatorer, komfyrer og kjøleskap.** Det er større fare for elektrisk støt hvis kroppen din er jordet.
- ▶ **Elektroverktøy må ikke utsettes for regn eller fuktighet.** Dersom det kommer vann i et elektroverktøy, øker risikoen for elektriske støt.
- ▶ **Ikke bruk ledningen til andre formål enn den er beregnet for. Bruk aldri ledningen til å bære eller trekke elektroverktøyet eller koble det fra strømforsyningen. Hold ledningen unna varme, olje, skarpe kanter eller deler som beveger seg.** Med skadede eller sammenfiltrede ledninger øker risikoen for elektrisk støt.
- ▶ **Når du arbeider utendørs med et elektroverktøy, må du bruke en skjøteledning som er egnet for utendørs bruk.** Når du bruker en skjøteledning som er egnet for utendørs bruk, reduseres risikoen for elektrisk støt.
- ▶ **Hvis det ikke kan unngås å bruke elektroverktøyet i fuktige omgivelser, må du bruke en jordfeilbryter.**

Ekstra sikkerhetsanvisninger

- ▶ **Slå straks av elektroverktøyet hvis innsatsverktøyet blokkeres. Vær på vakt mot høye reaksjonsmomenter som forårsaker tilbakeslag.** Innsatsverktøyet blokkeres når elektroverktøyet blir overbelastet eller klemmes i emnet som bearbejdes.
- ▶ **Hold elektroverktøyet godt fast.** Under stramming og løsning av skruer kan det oppstå kortvarige høye reaksjonsmomenter.
- ▶ **Sikre arbeidsemnet.** Et arbeidsstykke som holdes fast med spenninnetninger eller en skrustikke, holdes sikrere enn med hånden.
- ▶ **Bruk egnede detektorer for å finne skjulte strøm-/gass-/vannledninger, eller spør hos det lokale forsyningsselskapet.** Kontakt med elektriske ledninger kan medføre brann og elektrisk støt. Skader på en gassledning kan føre til eksplosjon. Inntrenging i en vannledning forårsaker materielle skader og kan medføre elektriske støt.
- ▶ **Vent til elektroverktøyet er stanset helt før du legger det fra deg.** Innsatsverktøyet kan kile seg fast og føre til at du mister kontrollen over elektroverktøyet.

Produktbeskrivelse og ytelsesspesifikasjoner

Les sikkerhetsanvisningene og instruksene.

Hvis ikke sikkerhetsanvisningene og instruksene tas til følge, kan det oppstå elektrisk støt, brann og/eller alvorlige personskader.

Se illustrasjonene i begynnelsen av bruksanvisningen.



Forskriftsmessig bruk

Elektroverktøyet er beregnet for slagboring i murstein, betong og stein, samt boring i tre, metall, keramikk og plast. Maskiner med elektronisk regulering og høyre-/venstregang er også egnet til skruing og gjengeskjæring.

Illustrerte komponenter

Nummereringen av de illustrerte komponentene gjelder for bildet av elektroverktøyet på illustrasjonssiden.

- (1) Selvspennende chuck
- (2) Girvelger
- (3) Bryter "Boring/slagboring"
- (4) Dreieretningsvelger
- (5) Låseknapp for av/på-bryter
- (6) Hjul for turtallsinnstilling
- (7) Av/på-bryter
- (8) Utløserknapp for støvavsug
- (9) Komplette støvboks (mikrofiltersystem)
- (10) Ekstrahåndtak (isolert grepsflate)^{A)}
- (11) Knapp for innstilling av teleskopør
- (12) Støvavsug

disse anvisningene bruke verktøyet. Elektroverktøy er farlige når de brukes av uerfarne personer.

- ▶ **Vær nøye med vedlikeholdet av elektroverktøyet og tilbehøret. Kontroller om bevegelige verktøydeler fungerer feilfritt og ikke klemmes fast, og om deler er brukket eller har andre skader som virker inn på elektroverktøyets funksjon. Få reparert elektroverktøyet før det brukes igjen hvis det er skadet.** Dårlig vedlikeholdte elektroverktøy er årsaken til mange uhell.
- ▶ **Hold skjæreverktøyene skarpe og rene.** Godt stelte skjæreverktøy med skarpe skjær setter seg ikke så ofte fast og er lettere å føre.
- ▶ **Bruk elektroverktøy, tilbehør, verktøy osv. i henhold til disse anvisningene. Ta hensyn til arbeidsforholdene og arbeidet som skal utføres.** Bruk av elektroverktøy til andre formål enn de som er angitt, kan føre til farlige situasjoner.
- ▶ **Hold håndtak og gripeflater tørre, rene og uten olje eller fett.** Glatte håndtak og gripeflater hindrer sikker håndtering og styring av verktøyet i uventede situasjoner.

Service

- ▶ **Elektroverktøyet må kun repareres av kvalifiserte fagpersoner og bare med originale reservedeler.** Slik opprettholdes verktøyets sikkerhet.

Advarsler om bormaskiner

Sikkerhetsanvisninger for alle operasjoner

- ▶ **Bruk hørselvern ved slagboring.** Eksponering for støt kan føre til hørselstap.
- ▶ **Bruk ekstrahåndtak(ene).** Tap av kontroll kan føre til personskader.
- ▶ **Bruk de isolerte grepsflatene når du holder elektroverktøyet under arbeid der skjæretilbehøret eller festeelementer kan komme borti skjulte ledninger eller verktøyets ledning.** Skjæretilbehør og festeelementer som kommer i berøring med en strømførende ledning, kan gjøre eksponerte metalldele på elektroverktøyet strømførende og dermed gi brukeren elektrisk støt.

Sikkerhetsanvisninger ved bruk av lange borbits

- ▶ **Arbeid aldri med høyere hastighet enn den maksimale hastighetsklassen for borbiten.** Ved høyere hastigheter vil biten trolig bøyes hvis den får rotere fritt uten kontakt med emnet, og dette kan føre til personskader.
- ▶ **Start alltid boringen ved lav hastighet og med spissen av biten i kontakt med emnet.** Ved høyere hastigheter vil biten trolig bøyes hvis den får rotere fritt uten kontakt med emnet, og dette kan føre til personskader.
- ▶ **Legg bare trykk i rett linje med biten, og ikke legg for mye trykk.** Bits kan bøyes, og dette kan føre til brudd eller tap av kontroll, noe som kan forårsake personskader.

Slagbormaskin	GSB 19-2 REA	
– Stål	mm	13/8
– Tre	mm	40/25
Chuckspeenområde	mm	1,5–13
Sugeeffekt	l/min	460
Kapasitet støvboks (ved vannrett boring)		
– Hull 6 x 30 mm	Stk.	130
– Hull 8 x 30 mm	Stk.	75
– Hull 10 x 30 mm	Stk.	45
Vekt i samsvar med EPTA-Procedure 01:2014		
– Med støvavsug	kg	3,2
– Uten støvavsug	kg	2,6
Kapslingsgrad		□ /

Angivelsene gjelder for merkespenning [U] på 230 V. Ved avvikende spenning og på utførelser for bestemte land kan disse angivelsene variere.

Støy-/vibrasjonsinformasjon

Støyemisjon målt i henhold til **EN 62841-2-1**.

Vanlig A-støynivå for elektroverktøyet: lydtryknivå **95 dB(A)**; lydeffektnivå **106 dB(A)**. Usikkerhet $K = 5$ dB.

Bruk hørselvern!

Vibrasjon totalt a_h (vektorsum av tre retninger) og usikkerhet K fastsatt i henhold til **EN 62841-2-1**.

Boring i metall: $a_h = 3,0$ m/s², $K = 1,5$ m/s².

Slagboring i betong: $a_h = 15$ m/s², $K = 2,0$ m/s².

Skruing: $a_h < 2,5$ m/s², $K = 1,5$ m/s².

Gjengeskjæring: $a_h < 2,5$ m/s², $K = 1,5$ m/s².

Vibrasjonsnivået og støyemissionen som er angitt i disse anvisningene er målt i samsvar med en standardisert målemetode og kan brukes til sammenligning av elektroverktøy. Verdiene egner seg også til en foreløpig estimering av vibrasjonsnivået og støytuslippet.

Angitt vibrasjonsnivå og støytuslipp representerer de hovedsakelige bruksområdene til elektroverktøyet. Men hvis elektroverktøyet brukes til andre formål, med andre innsatsverktøy eller utilstrekkelig vedlikehold, kan vibrasjonsnivået og støytuslippet avvike fra det som er angitt. Dette kan føre til en betydelig økning av vibrasjonsnivået og støytuslippet for hele arbeidstidsrommet.

For en nøyaktig vurdering av vibrasjonsnivået og støytuslippet skal det også tas hensyn til de tidene verktøyet er slått av, eller går, men ikke faktisk er i bruk. Dette kan redusere vibrasjonsnivået og støytuslippet for hele arbeidstidsrommet betraktelig.

Bestem ekstra sikkerhetstiltak til beskyttelse av brukeren mot vibrasjonenes virkning, som for eksempel: Vedlikehold av elektroverktøy og innsatsverktøy, holde hendene varme, organisere arbeidsforløpene.

- (13) Teleskoprør
- (14) Knapp for innstilling av dybdestopper
- (15) Støvring for bor
- (16) Håndtak (isolert grepsflate)
- (17) Dybdestopper^{A)}
- (18) Skrubit^{A)}
- (19) Universalbitsholder^{A)}
- (20) Chucknøkkel^{A)}
- (21) Tannkranschuck^{A)}
- (22) Unbrakonøkkel^{B)}
- (23) Styrespor for støvavsug
- (24) Filterelement (mikrofiltersystem)
- (25) Utløserknapp for støvboks
- (26) Deksel for støvboks
- (27) Dybdestopper (støvavsug)^{A)}
- (28) Gumming for støvring
- (29) Utløserknapp for støvring

A) **Illustrert eller beskrevet tilbehør inngår ikke i standard-leveransen. Det komplette tilbehøret finner du i vårt tilbehørsprogram.**

B) **Vanlig (inngår ikke i leveransen)**

Tekniske data

Slagbormaskin	GSB 19-2 REA	
Artikkelnummer	3 601 A7C 5..	
Opptatt effekt	W	900
Maks. avgitt effekt	W	455
Tomgangsturtall		
– 1. gir	o/min	0–1 000
– 2. gir	o/min	0–3 000
Nominelt turtall		
– 1. gir	o/min	770
– 2. gir	o/min	1 990
Slagttall ved tomgangsturtall	min ⁻¹	51 000
Dreiemoment		
– 1. gir	Nm	5,7
– 2. gir	Nm	2,2
Turtallsinnstilling		●
Høyre-/venstregang		●
Tannkranschuck		–
Selvspennende chuck		●
Helautomatisk spindellås (Auto-Lock)		●
Spindelhalsdiameter	mm	43
Maks. bor-Ø (1./2. gir)		
– Betong	mm	18/13
– Murverk	mm	20/15

Skifte chuck

- **Før alle arbeider på elektroverktøyet utføres må støpselet trekkes ut av stikkkontakten.**

Demontere chucken (se bilde D)

Demonter ekstrahåndtaket og sett girvelgeren (2) i midtstilling mellom 1. og 2. gir.

Før en ca. 50 mm lang stålstift Ø 4 mm inn i hullet på spindelhalsen for å låse borespindelen.

Spenn fast en unbrakonøkkel (22) i den selvspennende chucken (1) med det korte skaftet frem.

Legg elektroverktøyet på et stabilt underlag, f.eks. en arbeidsbenk. Hold elektroverktøyet fast, og løsne den selvspennende chucken (1) ved å dreie unbrakonøkkelen (22) i dreieretning ①. En blokkert selvspennende chuck løsnes med et lett slag på det lange skaftet på unbrakonøkkelen (22). Fjern unbrakonøkkelen fra den selvspennende chucken, og skru den selvspennende chucken helt av.

På elektroverktøy med tannkranschuck utføres monteringen på tilsvarende måte som beskrevet over.

På elektroverktøy med selvspennende chuck kan en fastnøkkel (nøkkelvidde 19 mm) settes på chucken istedenfor unbrakonøkkelen (22).

Montere chucken (se bilde E)

Monteringen av den selvspennende chucken / tannkranschucken skjer i motsatt rekkefølge.



Chucken må strammes med et tiltrekksmoment på ca. 50–55 Nm.

- **Fjern stålstiften igjen fra hullet etter utført montering av chucken.**

Støvavguss/støvbeholder

Støv fra materialer som blyholdig maling, noen tresorter, mineraler og metall kan være helsefarlige. Berøring eller innånding av støv kan utløse allergiske reaksjoner og/eller åndedretts sykdommer hos brukeren eller personer som befinner seg i nærheten.

Visse typer støv som eike- eller bøkestøv gjelder som kreftfremkallende, spesielt i kombinasjon med tilsetningsstoffer til trebearbeidelse (kromat, trebeskyttelsesmidler). Asbestholdig materiale må kun bearbeides av fagfolk.

- Bruk helst et støvavguss som er egnet for dette materialet.
- Sørg for god ventilasjon av arbeidsplassen.
- Det anbefales å bruke en støvmaske med filterklasse P2.

Følg ditt lands gyldige forskrifter for de materialene som skal bearbeides.

- **Bruk støvavguset bare ved bearbeidning av betong, tegl og murstein.** Tre- og plastspen kan lett føre til tilstopping.
- **Brannfare! Ingen metalliske materialer må bearbeides med montert støvavguss.** Varme metallspen kan antenne deler i støvbeholderen.
- **Unngå støv på arbeidsplassen.** Støv kan lett antennes.

Montering

- **Før alle arbeider på elektroverktøyet utføres må støpselet trekkes ut av stikkkontakten.**

Ekstrahåndtak

- **Du må ikke bruke elektroverktøyet uten ekstrahåndtaket (10).**

Du kan stille inn ekstrahåndtaket (10) i 12 forskjellige posisjoner for å oppnå en kroppsstilling som er sikker og gir minst mulig belastning.

Drei nedre gripestykke på ekstrahåndtaket (10) i dreieretningen ① og skyv ekstrahåndtaket (10) fremover helt til du kan svinge det i ønsket posisjon. Trekk deretter ekstrahåndtaket (10) tilbake igjen og skru det nedre gripestykket fast igjen i dreieretning ②.

Stille inn boreddybden (se bilde A)

Med dybdestopperen (27) kan ønsket boreddybde X bestemmes.

Drei den nedre delen på ekstrahåndtaket (10) mot urviseren, og sett inn dybdestoppen (17).

Trekk dybdeanlegget så langt ut at avstanden mellom spissen på boret og spissen på dybdeanlegget tilsvarer ønsket boreddybde X.

Skru deretter den nedre delen på ekstrahåndtaket (10) fast igjen med urviseren.

Rillene på dybdestopperen (17) må vende opp.

Verktøyskifte

- **Bruk beskyttelseshansker ved skifte av verktøy.**

Chucken kan bli kraftig oppvarmet ved langvarig arbeid.

Hurtigspennchuck (se bilde B)

Hvis av/på-bryteren (7) ikke er trykt inn, låses borespindelen. Dette gir mulighet til rask, behagelig og enkelt skifte av innsatsverktøy i chucken.

Åpne hurtigspennchucken (1) ved å dreie i dreieretning ① til verktøyet kan settes inn. Sett inn verktøyet.

Skru fast hylsen på hurtigspennchucken (1) hardt i dreieretning ② for hånd til ingen tilbakegang høres mer. Chucken blir da automatisk låst.

Låsen låses opp igjen hvis du dreier hylsen i motsatt retning for å fjerne verktøyet.

Tannkranschuck (se bilde C)

Åpne tannkranschucken (21) ved å dreie til verktøyet kan settes inn. Sett inn verktøyet.

Sett chucknøkkelen (20) i de tilsvarende hullene til tannkranschucken (21), og stram verktøyet jevnt.

Skruverktøy

Ved bruk av skrubits (18) må du alltid bruke en universalbitsholder (19). Bruk den bare til skrubits som passer til skruhodet.

For skruing setter du alltid omkobleren „Boring/ slagboring“ (3) på symbolet „Boring“.

Stille inn boreddybden (se bilde I)

Med dybdestopperen (27) kan ønsket boreddybde X bestemmes.

Sett et bor i chucken, og fest boret, se avsnittet Skifte verktøy. Sett elektroverktøyet fast mot flaten som skal bores, uten å slå det på, til boret møter flaten.

Trykk på knappen for innstilling av dybdestopperen (14), og flytt dybdestopperen (27) slik at avstanden X på bildet tilsvarer den ønskede boreddybden.

Tilpasse støvavsuguet til verktøylengden (se bilde J)

Lengden på støvavsuguet (12) kan tilpasses, slik at det blir mer komfortabelt å arbeide med korte innsatsverktøy.

Trykk på knappen (11), og skyv teleskoprøret (13) inn i støvavsuguet (12) mens du trykker på knappen, til støvringen befinner seg nær spissen på innsatsverktøyet.

For å kjøre ut teleskoprøret igjen trykker du på nytt på knappen (11).

Støvring for bor (se bilde K)

Støvringen for bor (15) kan utstyres med gummiringer (28) i to størrelser. For borer inntil 12 mm diameter bruker du en gummiring K1 med liten åpning, og for større borer bruker du gummiring K2 med stor åpning.

Når du skal skifte ut gummiringen (28), trykker du den bakover og ut av støvringen (15). Når du skal sette inn gummiringen, setter du den på støvringen og trykker den fast.

Når du skal skifte ut støvringen (15), trykker du på utløserknappen (29) og trekker støvringen ut av støvavsuguet.

Når du skal sette den inn, trykker du støvringen (15) inn i støvavsuguet (12) ovenfra til det høres at den festes.

Bruk

Igangsetting

- **Ta hensyn til strømspenningen! Spenningen til strømkilden må stemme overens med angivelsene på elektroverktøyetstypeskilt. Elektroverktøy som er merket med 230 V kan også brukes med 220 V.**

Stille inn dreieretningen (se bilde L - M)

- **Du må bare aktivere høyre/venstre bryteren (4) når elektroverktøyet er stanset.**

Med dreieretningsomkobleren (4) kan du endre dreieretningen til elektroverktøyet. Dette er ikke mulig når på/av-bryteren (7) er trykt inn.

Høyregang: Til boring og innskruing av skruer skyver du høyre/venstre-bryteren (4) ned på venstre side nedover og samtidig opp på høyre side.

Venstregang: Til løsning og utskruing av skruer og mutre skyver du høyre/venstre-bryteren (4) opp på venstre side og samtidig ned på høyre side.

Merknad: Bruk ikke støvavsuguet (12) ved skruing eller gjengeskjæring.

Støvavsuguet (12) fjærer tilbake under arbeidet, slik at støvringen alltid holdes tett inntil underlaget. Støvavsuguet kobles automatisk inn og ut med elektroverktøyet.

Følg disse anvisningene for optimalt støvavsug:

- Innsatsverktøyet som brukes, må ikke stikke ut over støvringen (15).
- Pass på at støvavsuguet alltid ligger helt inntil emnet eller veggen. Da blir det også lettere å bore i rett vinkel.
- Arbeid alltid med maksimalt turtall når du bruker støvavsuguet.
- Når den ønskede boreddybden er nådd, trekker du boret ut av borehullet og slår deretter av slagbormaskinen.
- Kontroller tilstanden til filterelementet (24) jevnlig. Skift ut filterelementet umiddelbart hvis det er skadet.

Ta av / sette på støvavsuguet (se bilde F)

For å ta av støvavsuguet trykker du på utløserknappen (8) og trekker av støvavsuguet forover.

Sving eventuelt ekstrahåndtaket (10) mot siden.

For å sette på støvavsuguet (12) skyver du det med styresporene (23) inn i festet på elektroverktøyet til det høres at det festes.

Eget støvavsug med støvboks (se bilde G)

Nivået i støvboksen (9) kan enkelt kontrolleres via det gjennomsiktige dekselet (26).

Tøm støvboksen i tide, ellers reduseres sugeffekten.

For å ta ut støvboksen (9) trykker du på de to utløserknappene (25) og trekker støvboksen ned og ut av støvavsuguet (12).

Før du åpner støvboksen (9), bør du slå den lett mot et fast underlag, slik at støv løses fra filterelementet (24).

Trykk opp dekselet (26) på undersiden, og tøm støvboksen.

Kontroller om filterelementet (24) er skadet. Skift det ut umiddelbart hvis det er skadet.

Lukk dekselet (26), og skyv støvboksen inn i støvavsuguet 13 nedenfra til det høres at den festes.

Skifte filterelement (se bilde H)

For at effekten til filteret skal opprettholdes, må filterelementet (24) til støvboksen (9) skiftes etter ca. 15 driftstimer.

For å ta ut støvboksen (9) trykker du på de to utløserknappene (25) og trekker støvboksen ned og ut av støvavsuguet (12).

Ta filterelementet (24) opp og ut, og sett inn et nytt filterelement.

Skyv støvboksen nedenfra og inn i støvavsuguet (12) igjen til det høres at den festes.

Merknad: Skift ut filterelementet (24) umiddelbart hvis det er skadet (f.eks. hull, skade på det myke tetningsmaterialet). Ved arbeid med defekt filterelement kan elektroverktøyet skades. Skift også ut filterelementet (24) hvis sugeffekten ikke er tilstrekkelig selv om støvboksen (9) er tom.

Det nødvendige turtallet/slagtallet avhenger av arbeidsemnet og arbeidsbetingelsene. Prøv deg fram for å finne fram til dette.

Arbeidshenvisninger

- **Før alle arbeider på elektroverktøyet utføres må støpselet trekkes ut av stikkkontakten.**
- **Sett elektroverktøyet bare mot mutteren/skruen når det er slått av.** Innsatsverktøy som dreier seg kan skli.

Etter langvarig arbeid med lavt turtall bør du avkjøle elektroverktøyet ved å la det gå på tomgang med maksimalt turtall i ca. 3 minutter.

For å bore fliser setter du omkobleren (3) på symbolet „Boring“. Etter at du har boret gjennom flisene, setter du omkobleren på symbolet „Slagboring“ og arbeider med slag.

Ved arbeid i betong, stein og mur må du bruke hardmetallbor.

Ved boring i metall må du bare bruke feilfrie, kvassedde HSS-bor (HSS=høyeffekt hurtigskjærende stål). Tilsvarende kvalitet garanterer **Boschs** tilbehørsprogram.

Med borkvesseapparatet (tilbehør) kan du kvesse spiralbor med en diameter på 2,5–10 mm uten problemer.

Service og vedlikehold

Vedlikehold og rengjøring

- **Før alle arbeider på elektroverktøyet utføres må støpselet trekkes ut av stikkkontakten.**
- **Hold selve elektroverktøyet og ventilasjonsslissene alltid rene, for å kunne arbeide bra og sikkert.**

Hvis det er nødvendig å skifte ut tilkoblingsledningen, må dette gjøres av **Bosch** eller godkjente **Bosch**-serviceverksteder, slik at det ikke oppstår fare for sikkerheten.

Kundeservice og kundeveiledning

Kundeservice hjelper deg ved spørsmål om reparasjon og vedlikehold av produktet ditt og reservedelene. Du finner også sprengskisser og informasjon om reservedeler på www.bosch-pt.com

Boschs kundeveilederteam hjelper deg gjerne hvis du har spørsmål om våre produkter og tilbehør.

Ved alle forespørsler og reservedelsbestillinger må du oppgi det 10-sifrede produktnummeret som er angitt på produktets typeskilt.

Norsk

Robert Bosch AS
Postboks 350
1402 Ski
Tel.: 64 87 89 50
Faks: 64 87 89 55

Deponering

Elektroverktøy, tilbehør og emballasje må leveres inn til miljøvennlig gjenvinning.

Stille inn driftsmåte

Boring og skruing

Sett omkobleren (3) på symbolet „Boring“.



Slagboring

Sett omkobleren (3) på symbolet "Slagboring". Omkobleren (3) går merkbart i lås og kan også betjenes når motoren er i gang.



Mekanisk girvalg

- **Du kan betjene girvelgeren(2) når elektroverktøyet går sakte. Dette må imidlertid ikke skje ved stillstand, full belastning eller maksimalt turtall.**

Med girvelgeren (2) kan to turtallsområder velges på forhånd.

1. gir:

Lavt turtallområde; til arbeid med stor bordiameter eller til skruing.



2. gir:

Høyt turtall, til arbeid med liten bordiameter.



Hvis girvelgeren (2) ikke kan svinges til endestopp, dreier du litt på drivspindelen med boret.

Inn-/utkobling

For å **slå på** elektroverktøyet trykker du på av/på-bryteren (7) og holder den inne.

For å **låse** den inntrykte av/på-bryteren (7) trykker du på låseknappen (5).

For å **slå av** slipper du av/på-bryteren (7), og hvis den er låst med låseknappen (5), trykker du kort på av/på-bryteren (7) og slipper den.

Overbelastningskobling

For å begrense høye reaksjonsmomenter er elektroverktøyet utstyrt med overbelastningskobling (Anti-Rotation).



- **Hvis innsatsverktøyet sitter i klem eller låser seg, avbrytes driften av borspindelen. Hold alltid elektroverktøyet godt fast med begge hender og stå støtt, dette på grunn av kreftene som opptrer.**
- **Slå straks av elektroverktøyet og løsne innsatsverktøyet hvis elektroverktøyet blokkeres. Ved innkobling med blokkert boreverktøy oppstår det høye reaksjonsmomenter.**

Innstilling av turtallet/slagtallet

Du kan regulere turtallet/slagtallet til det innkoblede elektroverktøyet trinnløst, avhengig av hvor langt inn du trykker av/på-bryteren (7).

Et lett trykk på av/på-bryteren (7) gir lavt turtall/slagtall. Turtallet/slagtallet stiger med økende trykk.

Forhåndsvalg av turtall/slagtall

Med hjulet for innstilling av forhåndsturtallet (6) kan du stille inn nødvendig turtall/slagtall også under drift.

pan irrottamiseen pistorasiasta vetämällä. Pidä johto loitolla kuumuudesta, öljystä, terävistä reunoista ja liikkuvista osista. Vahingoittuneet tai sotkeutuneet johdot kasvattavat sähköiskun vaaraa.

- Käyttäessäsi sähkötyökalua ulkona käytä ainoastaan ulkokäyttöön soveltuvaa jatkojohtoa. Ulkokäyttöön soveltuvan jatkojohdon käyttö pienentää sähköiskun vaaraa.
- Jos sähkötyökalua on pakko käyttää kosteassa ympäristössä, on käytettävä vikavirtasuojakytkintä. Vikavirtasuojakytkimen käyttö vähentää sähköiskun vaaraa.

Henkilöturvallisuus

- Ole valpas, kiinnitä huomiota työskentelyysi ja noudata tervettä järkeä sähkötyökalua käyttäessäsi. Älä käytä mitään sähkötyökalua, jos olet väsynyt tai huumeiden, alkoholin tai lääkkeiden vaikutuksen alaisena. Hetken tarkkaamattomuus sähkötyökalua käytettäessä saattaa johtaa vakavaan loukkaantumiseen.
- Käytä henkilökohtaisia suojarusteita. Käytä aina suojalaseja. Henkilökohtaisen suojarustuksen (esim. pölynaamari, luistamattomat turvajalkineet, suojakypärä tai kuulonsuojaimet kulloisenkin tehtävän mukaan) käyttö vähentää loukkaantumisriskiä.
- Estä tahaton käynnistyminen. Varmista, että käynnistyskytkin on kytketty pois päältä ennen kuin yhdistät työkalun sähköverkkoon ja/tai akkuun, otat työkalun käteen tai kannat sitä. Jos kannat sähkötyökalua sormi käynnistyskytkimellä tai kytket sähkötyökalun pistotulpan pistorasiaan käynnistyskytkimen ollessa käyntiasennossa, altistat itsesi onnettomuuksille.
- Poista mahdollinen säätötyökalu tai kiinnitysavain ennen kuin käynnistät sähkötyökalun. Kiinnitysavain tai säätötyökalu, joka on unohdettu paikalleen sähkötyökalun pyöriivään osaan, saattaa aiheuttaa tapaturman.
- Vältä kurkottelua. Huolehdi aina tukevasta seisomaisennosta ja tasapainosta. Näin pystyt paremmin hallitsemaan sähkötyökalun odottamattomissa tilanteissa.
- Käytä tarkoitukseen soveltuvia vaatteita. Älä käytä löysiä työvaatteita tai koruja. Pidä hiukset ja vaatteet poissa liikkuvien osien ulottuvilta. Väljät vaatteet, korut ja pitkät hiukset voivat takertua liikkuviin osiin.
- Jos laitteissa on pölynpoistoliitäntä, varmista, että se on kytketty oikein ja toimii kunnolla. Pölynpoistojärjestelmän käyttö vähentää pölyn aiheuttamia vaaroja.
- Työskentele keskittyneesti ja noudata aina turvallisuusmääräyksiä. Hetkellisenkin huolimattomuus voi aiheuttaa vakavia vammoja.

Sähkötyökalun käyttö ja huolto

- Älä ylikuormita laitetta. Käytä kyseiseen työhön tarkoitettua sähkötyökalua. Sopivan tehoisella sähkötyökalulla teet työt paremmin ja turvallisemmin.
- Älä käytä sähkötyökalua, jota ei voida käynnistää ja pysäyttää käynnistyskytkimestä. Sähkötyökalu, jota ei voi enää hallita käynnistyskytkimellä, on vaarallinen ja täytyy korjauttaa.



Elektroverktøy må ikke kastes i vanlig søppel!

Bare for land i EU:

Jf. det europeiske direktivet 2012/19/EU vedr. gamle elektriske og elektroniske apparater og tilpassingen til nasjonale lover må gammelt elektroverktøy som ikke lenger kan brukes, samles inn og leveres inn til en miljøvennlig resirkulering.

Suomi

Turvallisuusohjeet

Yleiset sähkötyökalujen turvaohjeet

Lue kaikki tämän sähkötyökalun  VAROITUS mukana toimitetut varoitukset, ohjeet, kuvat ja tekniset tiedot. Alla mainittujen ohjeiden noudattamisen laiminlyönti saattaa aiheuttaa sähköiskun, tulipalon ja/tai vakavan loukkaantumisen.

Säilytä kaikki turvallisuusohjeet ja muut ohjeet tulevaisuutta varten.

Turvallisuusohjeissa käytetty käsite "sähkötyökalu" käsittää verkkokäyttöisiä sähkötyökaluja (verkkojohdolla) ja akkukäyttöisiä sähkötyökaluja (ilman verkkojohtoa).

Työpaikan turvallisuus

- Pidä työskentelyalue puhtaana ja hyvin valaistuna. Työpaikan epäjärjestys tai valaisemattomat työalueet voivat johtaa tapaturmiin.
- Älä työskentele sähkötyökalulla räjähdysalttiissa ympäristössä, jossa on palavaa nestettä, kaasua tai pölyä. Sähkötyökalu muodostaa kipinöitä, jotka saattavat sytyttää pölyn tai höyryn.
- Pidä lapset ja sivulliset loitolla sähkötyökalua käytettäessä. Voit menettää laitteen hallinnan, jos suuntaat huomioosi muualle.

Sähköturvallisuus

- Sähkötyökalun pistotulpan tulee sopia pistorasiaan. Pistotulppaa ei saa muuttaa millään tavalla. Älä käytä minkäänlaisia pistorasia-adaptoreita maadoitettujen sähkötyökalujen kanssa. Alkuperäisessä kunnossa olevat pistotulpat ja sopivat pistorasiat vähentävät sähköiskun vaaraa.
- Vältä maadoitettujen pintojen, kuten putkien, patteiden, liesien tai jääkaappien koskettamista. Sähköiskun vaara kasvaa, jos kehosi on maadoitettu.
- Älä altista sähkötyökalua sateelle tai kosteudelle. Veden pääsy sähkötyökalun sisään kasvattaa sähköiskun riskiä.
- Älä käytä verkkojohtoa väärin. Älä käytä johtoa sähkötyökalun kantamiseen, ripustamiseen tai pistotul-

sen annetaan pyöriä vapaasti työkappaletta koskettamatta.

- ▶ **Aloita poraustehtävä aina hitaalla nopeudella ja porankärki työkappaletta vasten.** Loukkaantumisvaara, koska liian suurella kierrosnopeudella poranterä saattaa taipua, jos sen annetaan pyöriä vapaasti työkappaletta koskettamatta.
- ▶ **Paina terää vain kevyesti työkappaletta vasten ja aina poranterän suuntaisesti.** Muuten poranterä saattaa taipua ja aiheuttaa loukkaantumisvaaran, jos menetät työkalun hallinnan.

Lisäturvallisuusohjeet

- ▶ **Sammuta sähkötyökalu välittömästi, jos käyttötarvike jumittuu. Varaudu takaiskun aiheuttamiin voimakkaisiin reaktiovoimiin.** Käyttötarvike jumittuu sähkötyökalun ylikuormitustapauksessa tai terän jäädessä puristuksiin työkappaleeseen.
- ▶ **Pidä sähkötyökalusta kunnolla kiinni.** Ruuvien kiristykseen ja avauksen yhteydessä voi syntyä hetkellisesti suuria reaktiovoimia.
- ▶ **Varmista työkappaleen kiinnitys.** Kädellä pidettynä työkappale ei pysy luotettavasti paikallaan. Siksi se kannattaa kiinnittää ruuvipenkin tai puristimien avulla.
- ▶ **Käytä sopivia etsintälaitteita pilossa olevien syöttöjohtojen paikallistamiseksi, tai käänny paikallisen jakeluyltiön puoleen.** Kosketus sähköjohtoon saattaa johtaa tulipaloon ja sähköiskuun. Kaasuputken vahingoittaminen saattaa johtaa räjähdykseen. Vesijohdon puhkaisu aiheuttaa aineellisia vahinkoja tai saattaa johtaa sähköiskuun.
- ▶ **Odota, kunnes sähkötyökalu on pysähtynyt, ennen kuin asetat sen säilytysalustalle.** Sähkötyökalun hallinnan menettämisen vaara, koska käyttötarvike voi pureutua säilytysalustan pintaan.

Tuotteen ja ominaisuuksien kuvaus

Lue kaikki turvallisuus- ja käyttöohjeet. Turvallisuus- ja käyttöohjeiden noudattamatta jättäminen voi johtaa sähköiskuun, tulipaloon ja/tai vakavaan loukkaantumiseen.

Huomioi käyttöohjeiden etuosan kuvat.



Määräystenmukainen käyttö

Sähkötyökalu on tarkoitettu iskuporaukseen tiileen, betoniin ja kiveen sekä poraamiseen puuhun, metalliin, keramiikkaan ja muoviin. Elektronisella säädöllä ja suunnanvaihdolla varustetut koneet soveltuvat myös ruuvaukseen ja kierteiden leikkaamiseen.

Kuvatut osat

Kuvattujen osien numerointi viittaa kuvasivulla olevaan sähkötyökalun kuvaan.

- (1) Pikaistukka
- (2) Vaihteenvaihtin
- (3) Vaihtokytkin "poraus/iskuporaus"

- ▶ **Irrota pistotulppa pistorasiasta ja/tai irrota akku (jos irrotettava) sähkötyökalusta, ennen kuin suoritat säätöjä, vaihdat tarvikkeita tai viet sähkötyökalun varastoon.** Nämä varotoimenpiteet estävät sähkötyökalun tahattoman käynnistymisen.
- ▶ **Säilytä sähkötyökalut poissa lasten ulottuvilta, kun niitä ei käytetä. Älä anna sellaisten henkilöiden käyttää sähkötyökalua, joilla ei ole tarvittavaa käyttöohjetta.** Sähkötyökalut ovat vaarallisia, jos niitä käyttävät kokemattomat henkilöt.
- ▶ **Pidä sähkötyökalut ja tarvikkeet hyvässä kunnossa.** Tarkista liikkuvat osat virheellisen kohdistuksen tai jumittumisen varalta. Varmista, ettei sähkötyökalussa ole murtuneita osia tai muita toimintaa häiritseviä vikoja. Jos havaitset vikoja, korjauta sähkötyökalu ennen käyttöä. Monet tapaturmat johtuvat huonosti huolletuista sähkötyökaluista.
- ▶ **Pidä leikkausterät terävinä ja puhtaina.** Asianmukaisesti huolletut leikkaustyökalut, joiden leikkausreunat ovat teräviä, eivät jumitu herkästi ja niitä on helpompi hallita.
- ▶ **Käytä sähkötyökaluja, tarvikkeita, ruuvauskärkiä jne. näiden ohjeiden, käyttöolosuhteiden ja työtehtävän mukaisesti.** Sähkötyökalun määräystenvastainen käyttö saattaa aiheuttaa vaaratilanteita.
- ▶ **Pidä kahvat ja kädensijat kuivina ja puhtaina (öljytöminä ja rasvattomina).** Jos kahvat ja kädensijat ovat liukkaita, et pysty yllättävissä tilanteissa ohjaamaan ja hallitsemaan työkalua turvallisesti.

Huolto

- ▶ **Anna ainoastaan koulutettujen ammattihenkilöiden korjata sähkötyökalusi ja hyväksy korjauksiin vain alkuperäisiä varaosia.** Näin varmistat, että sähkötyökalu säilyy turvallisena.

Porakoneiden turvallisuusohjeet

Kaikkia töitä koskevat turvallisuusohjeet

- ▶ **Käytä kuulonsuojaimia, kun työskentelet iskuporakoneen kanssa.** Melulle altistuminen voi aiheuttaa kuuroutumisen.
- ▶ **Käytä lisäkahvaa (-kahvoja).** Työkalun hallinnan menettäminen voi aiheuttaa tapaturmia.
- ▶ **Pidä sähkötyökalusta kiinni sen eristetyistä kahvapinnoista, kun teet sellaisia töitä, joissa käyttötarvike tai kiinnitystarvike voi koskettaa pilossa olevia sähköjohtoja tai laitteen omaa virtajohtoa.** Jos käyttötarvike tai kiinnitystarvike koskettaa virrallista sähköjohtoa, tämä voi tehdä sähkötyökalun suojaamattomat metalliosat virrallisiksi ja aiheuttaa sähköiskun laitteen käyttäjälle.

Pitkien poranterien käyttöä koskevat turvallisuusohjeet

- ▶ **Älä ylitä porakoneen kanssa poranterän suurinta sallittua kierrosnopeutta.** Loukkaantumisvaara, koska liian suurella kierrosnopeudella poranterä saattaa taipua, jos

Iskuporakone	GSB 19-2 REA	
Kierrosluvun valinta		●
Pyörintäsuunta myötä-/vas- tapäivään		●
Hammasistukka		-
Pikaistukka		●
Täysautomaattinen karaluki- tus (Auto-Lock)		●
Karakaulan halkaisija	mm	43
Reiän maks. Ø (1./2. vaihde)		
- Betoni	mm	18/13
- Kiviseinä	mm	20/15
- Teräs	mm	13/8
- Puu	mm	40/25
Istukan kiinnitysalue	mm	1,5-13
Imuteho	l/min	460
Pölysäiliön tilavuus (vaakasuoraan porattaessa)		
- Reiät 6 x 30 mm	kpl	130
- Reiät 8 x 30 mm	kpl	75
- Reiät 10 x 30 mm	kpl	45
Paino		
EPTA-Procedure 01:2014 -ohjeiden mukaan		
- pölynpoistovarusteella	kg	3,2
- ilman pölynpoistovarus- tetta	kg	2,6
Suojausluokka		□ / II

Tiedot koskevat 230 V:n nimellisjännitettä [U]. Tästä poikkeavien jännitteiden ja maakohtaisten mallien yhteydessä nämä tiedot voivat vaihdella.

Melu-/tärinä tiedot

Melupäästöarvot on määritetty standardin **EN 62841-2-1** mukaan.

Sähkötyökalun tyypillinen A-painotettu melutaso: äänenpainetaso **95 dB(A)**; äänentehotaso **106 dB(A)**. Epävarmuus $K = 5$ dB.

Käytä kuulosuojaimia!

Tärinän kokonaisarvot a_{h1} (kolmen suunnan vektorisumma) ja epävarmuus K on määritetty standardin **EN 62841-2-1** mukaan.

Poraaminen metalliin: $a_h = 3,0$ m/s², $K = 1,5$ m/s².

Iskuporaaminen betoniin: $a_h = 15$ m/s², $K = 2,0$ m/s².

Ruuvaaminen: $a_h < 2,5$ m/s², $K = 1,5$ m/s².

Kierteittäminen: $a_h < 2,5$ m/s², $K = 1,5$ m/s².

Näissä käyttöohjeissa ilmoitetut tärinä- ja melupäästötiedot on mitattu standardissa määritetyn mittausmenetelmän mukaan ja niitä voi käyttää sähkötyökalujen keskinäiseen vertailuun. Ne soveltuvat myös tärinä- ja melupäästöjen alustavaan arviointiin.

Ilmoitetut tärinä- ja melupäästöt vastaavat sähkötyökalun pääasiallisia käyttötapoja. Tärinä- ja melupäästöt saattavat

- (4) Suunnanvaihtokytkin
- (5) Käynnistyskytkimen lukituspainike
- (6) Kierrosluvun säätöpyörä
- (7) Käynnistyskytkin
- (8) Pölynpoistoliitännän vapautuspainike
- (9) Pölysäiliö täydellisenä (Microfilter System)
- (10) Lisäkahva (eristetty kahvapinta)^{A)}
- (11) Teleskooppiohjaimen säätöpainike
- (12) Pölynpoistoliitäntä
- (13) Teleskooppiohjain
- (14) Syvyydenrajoittimen säätöpainike
- (15) Poranterän pölynkokoaja
- (16) Kahva (eristetty kahvapinta)
- (17) Syvyydenrajoitin^{A)}
- (18) Ruuvauskärki^{A)}
- (19) Yleispidin^{A)}
- (20) Istukka-avain^{A)}
- (21) Hammasistukka^{A)}
- (22) Kuusiokoloavain^{B)}
- (23) Pölynpoistoliitännän ohjausura
- (24) Suodatin (Microfilter System)
- (25) Pölysäiliön vapautuspainike
- (26) Pölysäiliön luukka
- (27) Syvyydenrajoitin (pölynpoistoliitäntä)^{A)}
- (28) Pölynkokoajan kumirengas
- (29) Pölynkokoajan vapautusnuppi

A) **Kuvassa näkyvä tai tekstissä mainittu lisätarvike ei kuulu vakiovarustukseen. Koko tarvikevalikoiman voit katsoa tarvikeohjelmastamme.**

B) **Tavanomainen (ei kuulu vakiovarustukseen)**

Tekniset tiedot

Iskuporakone	GSB 19-2 REA	
Tuotenumero		3 601 A7C 5..
Nimellisototeho	W	900
Suurin antoteho	W	455
Tyhjäkäyntikierrosluku		
- 1. vaihde	min ⁻¹	0-1000
- 2. vaihde	min ⁻¹	0-3000
Nimelliskierrosnopeus		
- 1. vaihde	min ⁻¹	770
- 2. vaihde	min ⁻¹	1990
Iskuluku tyhjäkäyntikierrosl- vulla	min ⁻¹	51 000
Nimellinen vääntömomentti		
- 1. vaihde	Nm	5,7
- 2. vaihde	Nm	2,2

Hammasistukka (katso kuva C)

Kierrä hammasistukkaa (21) auki, kunnes saat asennettua käyttötarvikkeen. Asenna käyttötarvike.

Aseta istukka-avain (20) hammasistukan (21) vastaaviin reikiin ja kiristä käyttötarvike tasaisesti kiinni.

Ruuvaustarvikkeet

Ruuvauskärjillä (18) ruuvatessa kannattaa aina käyttää yleispidintä (19). Käytä vain ruuvien kantaan sopivia ruuvauskärkiä.

Säädä vaihtokytkin "poraus/iskuporaus" (3) aina "poraus"-symbolin kohdalle.

Poraistukan vaihto

- **Irrota pistotulppa pistorasiasta ennen kaikkia sähkötyökaluun kohdistuvia töitä.**

Poraistukan irrotus (katso kuva B)

Irrota lisäkahva ja aseta vaihdekytkin (2) keskiasentoon 1. ja 2. vaihteen välille.

Työnnä terästappi (Ø 4 mm, pituus n. 50 mm) karakaulan reikään, jotta saat lukittua karan.

Kiinnitä kuusiokoloavaimen (22) lyhyt varsi pikaistukan (1) sisään.

Aseta sähkötyökalu tukevalle alustalle, esim. työpöydälle. Pidä sähkötyökalua paikallaan ja löysää pikaistukkaa (1) kuusiokoloavaimella (22) kiertosuuntaan ⚙ ja siirrä juuttuneen pikaistukan voit avata kopauttamalla kevyesti kuusiokoloavaimen (22) vartta. Ota kuusiokoloavain pois pikaistukasta ja ruuvaa pikaistukka kokonaan irti.

Hammasistukallisissa sähkötyökaluissa irrotus tapahtuu yllä kuvattua vastaavasti.

Pikaistukallisissa sähkötyökaluissa istukan irrotukseen voi käyttää kuusiokoloavaimen (22) sijasta kiintoavainta (avainkoko 19 mm).

Poraistukan asennus (katso kuva E)

Pika-/hammasistukan asennus tapahtuu päinvastaisessa järjestyksessä.



Istukka täytyy kiristää n. 50–55 Nm vääntömomenttiin.

- **Kun olet asentanut poraistukan, irrota terästappi reiästä.**

Pölynpoistoliitäntä/pölysäiliö

Työstettävistä materiaaleista syntyvä pöly (esimerkiksi liijypitoinen pinnoite, tietyt puulaadut, kivi ja metalli) voi olla terveydelle vaarallista. Pölyn koskettaminen tai hengittäminen saattaa aiheuttaa käyttäjälle tai lähellä oleville henkilöille allergisia reaktioita ja/tai hengitystiesairauksia.

Tiettyjen pölylaatuisten (esimerkiksi tammi- tai pyökkipöly) katsotaan aiheuttavan syöpää, varsinkin puunsuojaukseen käytettävien lisäaineiden yhteydessä (kromaatti, puunsuojaine). Asbestipitoisia materiaaleja saavat käsitellä vain asiantuntevat ammattilaiset.

- Käytä mahdollisuuksien mukaan materiaalille soveltuvaa pölynpoistoa.

kuitenkin poiketa ilmoitetuista arvoista, jos sähkötyökalua käytetään toisiin, muilla käyttötarvikkeilla tai riittämättömästi huollettuina. Tämä saattaa suurentaa koko työskentelyajan tärinä- ja melupäästöjä huomattavasti.

Tärinä- ja melupäästöjen tarkaksi arvioimiseksi on huomioitava myös ne ajat, jolloin laite on sammutettuna tai tyhjäkäynnillä. Tämä voi vähentää huomattavasti koko työskentelyajan tärinä- ja melupäästöjä.

Määrittele tarvittavat lisävarotoimenpiteet käyttäjän suojelemiseksi tärinän aiheuttamilta haitoilta (esimerkiksi sähkötyökalujen ja käyttötarvikkeiden huolto, käsien pitäminen lämpiminä ja työprosessien organisointi).

Asennus

- **Irrota pistotulppa pistorasiasta ennen kaikkia sähkötyökaluun kohdistuvia töitä.**

Lisäkahva

- **Käytä sähkötyökalua vain, kun siihen on asennettu lisäkahva (10).**

Voit säätää lisäkahvan (10) 12 erilaiseen asentoon turvallisen ja rasittamattoman työskentelyasennon varmistamiseksi.

Kierrä lisäkahvan (10) alaosaa kiertosuuntaan ⚙ ja siirrä lisäkahvaa (10) eteenpäin, kunnes voit kääntää sen haluamaasi asentoon. Vedä tämän jälkeen lisäkahva (10) takaisin ja kiristä alaosa kiertosuuntaan ⚙.

Poraussyvyyden säätö (katso kuva A)

Syvyysrajoittimella (27) voit säätää haluamasi poraussyvyyden X.

Kierrä lisäkahvan (10) alaosaa vastapäivään ja asenna syvyysrajoitin (17) paikalleen.

Vedä syvyysrajoitinta ulospäin, kunnes poranterän kärjen ja haluamasi poraussyvyyden syvyysrajoittimen kärjen keskinäinen väli on X.

Kiristä tämän jälkeen lisäkahvan (10) alaosaa myötäpäivään. Syvyysrajoittimen (17) urituksen täytyy osoittaa ylöspäin.

Käyttötarvikkeen vaihto

- **Käytä käyttötarvikkeen vaihdossa työkäsitteitä.** Poranistukka saattaa kuumeta voimakkaasti pitkäaikaisessa käytössä.

Pikaistukka (katso kuva B)

Porakoneen kara on lukittu, kun käynnistyskytkintä (7) ei paineta. Tämä mahdollistaa poranistukassa olevan käyttötarvikkeen nopean ja helpon vaihdon.

Avaa pikaistukkaa (1) kiertosuuntaan ⚙, kunnes saat asennettua käyttötarvikkeen paikalleen. Asenna käyttötarvike. Kierrä kädellä pikaistukan (1) holkki kunnolla kiinni kiertosuuntaan ⚙, kunnes se ei enää ratise. Tämän myötä poranistukka lukittuu automaattisesti.

Lukitus aukeaa, kun kierrät holkkia vastakkaiseen suuntaan käyttötarvikkeen irrottamiseksi.

Sulje luukku (26) ja työnnä pölykoteloa alakautta pölynpoistoliitintään 13, kunnes se lukittuu kuuluvasti paikalleen.

Suodattimen vaihtaminen (katso kuva H)

Erinomaisen suodatusstehon säilyttämiseksi pölykotelon (9) suodatin (24) täytyy vaihtaa n. 15 käyttötunnin välein.

Kun haluat irrottaa pölykotelon (9), paina molempia vapautuspainikkeita (25) ja vedä pölykoteloa alakautta irti pölynpoistoliitännästä (12).

Ota suodatin (24) yläkautta pois ja asenna uusi suodatin paikalleen.

Työnnä pölykoteloa alakautta pölynpoistoliitintään (12), kunnes se lukittuu kuuluvasti paikalleen.

Huomautus: vaihda vaurioitunut suodatin (24) välittömästi (esim. jos siinä on reikiä tai pehmeän tiivistemateriaalin vaurioita). Työskentely viallisen suodattimen kanssa voi vahingoittaa sähkötyökäluä. Vaihda suodatin (24) myös, jos imu-teho on heikko tyhjennetystä pölysäiliöstä (9) huolimatta.

Poraussyvyyden säätö (katso kuva I)

Syvyydenrajoittimella (27) voit säätää haluamasi poraussyvyyden X.

Asenna poranterä istukkaan ja kiristä poranterä, katso kapale Käyttötarvikkeen vaihto. Aseta sähkötyökäluen poranterä porattavaa pintaa vasten moottori sammuksissa.

Paina syvyydenrajoittimen säätöpainiketta (14) ja siirrä syvyydenrajoitinta (27) niin, että kuvassa näytetty etäisyys X vastaa haluamaasi poraussyvyyttä.

Pölynpoistoliitännän säätäminen käyttötarvikkeen piteuden mukaan (katso kuva J)

Lyhyiden käyttötarvikkeiden käytön helpottamiseksi pölynpoistoliitännän (12) piteutta voi säätää.

Paina painike (11) pohjaan ja työnnä samalla teleskooppiohjainta (13) pölynpoistoliitännän (12) sisään, kunnes pölynkokojoa on käyttötarvikkeen kärjen lähellä.

Kun haluat siirtää teleskooppiohjainta takaisin ulos, paina uudelleen painiketta (11).

Poranterän pölynkokojoa (katso kuva K)

Poranterän pölynkokojoan (15) voi varustaa kahdella erikoisella kumirenkaalla (28). Käytä maks. 12 mm:n halk. reikiin pienireikäistä kumirengasta K1. Käytä tätä suurempiin reikiin suurireikäistä kumirengasta K2.

Kun haluat vaihtaa kumirenkaan (28), irrota se pölynkokojoasta (15) painamalla kumirengasta taaksepäin. Kun haluat asentaa kumirenkaan, aseta se pölynkokojoan päälle ja paina se kunnolla paikalleen.

Kun haluat vaihtaa pölynkokojoan (15), paina vapautusnup-pia (29) ja vedä pölynkokojoa irti pölynpoistoliitännästä.

Kun haluat asentaa pölynkokojoan (15), paina sitä yläkautta pölynpoistoliitintään (12), kunnes se lukittuu kuuluvasti paikalleen.

- Huolehdi työkohteen hyvästä tuuletuksesta.
- Suosittelemme käyttämään suodatusluokan P2 hengitysuojanaamaria.

Noudata käsiteltäviä materiaaleja koskevia maakohtaisia määräyksiä.

► **Käytä pölynpoistovarustetta vain betonin, tiilen tai harkkoseinän työstössä.** Puu- ja muovipurut voivat jotta herkästi tukoksiin.

► **Huomio - palovaara! Älä työstä metallisia materiaaleja, jos pölynpoistovaruste on asennettu paikalleen.** Pölysäiliön osat saattavat syttyä palamaan kuumien metallipurujen takia.

► **Estä pölyn kertyminen työpisteeseen.** Pöly saattaa olla herkästi syttyvää.

Huomautus: älä käytä pölynpoistoliitintää (12) ruuvaamiseen tai kierteittämiseen.

Pölynpoistoliitintä (12) on joustava ja pitää pölynkokojoan aina tiiviisti alustaa vasten. Pölynpoistoliitintä kytkeytyy sähkötyökäluen kanssa automaattisesti päälle ja pois päältä. Pölynpoiston optimoimiseksi noudata seuraavia ohjeita:

- Käytettävä käyttötarvike ei saa ulottua pölynkokojoaa (15) pidemmälle.
- Varmista, että pölynpoistovaruste on kunnolla työkappalletta tai seinää vasten. Samalla myös kohtisuora poraaminen helpottuu.
- Poraä pölynpoistovarusteen käytön yhteydessä aina suurimmalla kierrosluvulla.
- Kun reikä on halutun syvyinen, vedä poranterä ulos reiästä ja sammuta iskuporakone.
- Tarkasta suodattimen (24) kunto säännöllisin väliajoin. Vaihda vioittunut suodatin välittömästi.

Pölynpoistoliitännän irrottaminen/asentaminen (katso kuva F)

Irrota pölynpoistoliitintä painamalla vapautuspainiketta (8) ja vedä pölynpoistovaruste etukautta pois.

Käännä sitä varten tarvittaessa lisäkavaa (10) sivulle.

Kun haluat asentaa pölynpoistoliitännän (12), työnnä sitä ohjausurillaan (23) sähkötyökäluen kiinnittimeen, kunnes se lukittuu kuuluvasti paikalleen.

Pölynpoisto työkalun omaan pölykoteloon (katso kuva G)

Pölykotelon (9) täyttöaste on helppo tarkastaa läpinäkyvän luukun (26) läpi.

Tyhjennä pölysäiliö ajoissa, jotta imuteho pysyy jatkuvasti erinomaisena.

Kun haluat irrottaa pölykotelon (9), paina molempia vapautuspainikkeita (25) ja vedä pölykoteloa alakautta irti pölynpoistoliitännästä (12).

Ennen kuin avaat pölykotelon (9), sitä kannattaa kopauttaa kevyesti kiinteää alustaa vasten, jotta pöly irtaää suodattimesta (24).

Avaa alapuolen luukku (26) ja tyhjennä pölykoteloa.

Tarkasta suodatin (24) vaurioiden varalta. Jos se on vaurioitunut, vaihda se välittömästi.

Ylikuormituskytkin

Kone on varustettu ylikuormituskytkimellä (Anti-Rotation), joka rajoittaa suuria reaktiomomenteja.



- **Jos käyttötarvike jumittuu, voimansiirto karaan katkeaa. Pidä sähkötyökalusta suurten vääntömomenttien takia aina kunnolla kiinni molemmilla käsillä ja seiso tukevassa asennessa.**
- **Sammuta sähkötyökalu ja irrota käyttötarvike, jos sähkötyökalu on jumittunut. Suuret reaktiomomentit aiheuttavat vaaran, jos käynnistät sähkötyökalun poranterän ollessa jumissa.**

Kierrosluvun/iskuluvun säätö

Voit säätää sähkötyökalun kierroslukua/iskulukua portaattomasti moottorin käydessä käynnistyskytkimen (7) avulla. Kun painat käynnistyskytkintä (7) kevyesti, työkalu toimii matalalla kierrosluvulla/iskuluvulla. Kun painat kytkintä enemmän, kierrosluku/iskuluku kasvaa.

Kierrosluvun/iskuluvun valinta

Voit valita tarvittavan kierrosluvun/iskuluvun kierrosluvun asetuksen säätöpyörällä (6) myös moottorin käydessä. Tarvittava kierrosluku/iskuluku riippuu materiaalista ja työolosuhteista ja sen voi määrittää parhaiten kokeilemalla.

Työskentelyohjeita

- **Irrota pistotulppa pistorasiasta ennen kaikkia sähkötyökaluun kohdistuvia töitä.**
- **Aseta sähkötyökalun ruuvauskärki mutteriin/ruuviin vain kun moottori on sammutettu.** Pyörivät käyttötarvikkeet saattavat luiskahtaa irti ruuvista/mutterista.

Jos työskentelet pitkäaikaisesti matalaa kierroslukua käyttäen, sähkötyökalua kannattaa jäähdyttää sen jälkeen n. 3 minuutin ajan tyhjäkäynnillä ja maksimikierrosluvulla.

Kun haluat porata kaakeleihin, säädä vaihtokytkin (3) "poraus"-symbolin kohdalle. Kun olet porannut kaakelin läpi, siirrä vaihtokytkin "iskuporaus"-symbolin kohdalle ja poraa iskun kanssa.

Kun poraat betoniin, kiveen tai tiiliseinään, käytä kovametalista valmistettua poranterää.

Käytä vain virheettömiä ja teräviä HSS-poranteriä (HSS=pi-kateräs), kun poraat metalliin. **Bosch**-tarvikevalikoiman terät takaavat erinomaisen laadun.

Poranterien teroittimella (lisätarvike) voit teroittaa helposti halkaisijaltaan 2,5–10 mm kierreporat.

Hoito ja huolto

Huolto ja puhdistus

- **Irrota pistotulppa pistorasiasta ennen kaikkia sähkötyökaluun kohdistuvia töitä.**
- **Pidä sähkötyökalu ja tuuletusaukot puhtaina luotettavan ja turvallisen työskentelyn varmistamiseksi.**

Käyttö

Käyttöönotto

- **Huomioi verkkojännite! Virtalähteen jännitteen tulee vastata sähkötyökalun laitekilvessä olevia tietoja. 230 V-tunnuksella merkittyjä sähkötyökaluja voi käyttää myös 220 V verkoissa.**

Kiertosuunnan valinta (katso kuva L - M)

- **Siirrä suunnanvaihtokytkintä (4) vain sähkötyökalun ollessa pysäytettynä.**

Suunnanvaihtokytkimellä (4) voit vaihtaa sähkötyökalun pyörintäsuuntaa. Tätä ei voi kuitenkaan tehdä, kun käynnistyskytkintä (7) painetaan.

Myötäpäivään: kun haluat porata tai kiinnittää ruuveja, siirrä suunnanvaihtokytkintä (4) vasemmalla alaspäin ja samanaikaisesti oikealla ylöspäin.

Vastapäivään: kun haluat irrottaa ruuveja tai muttereita, siirrä suunnanvaihtokytkintä (4) vasemmalla ylöspäin ja samanaikaisesti oikealla alaspäin.

Käyttötavan valinta

Poraus ja ruuvaus

Säädä vaihtokytkin (3) "poraus"-symbolin kohdalle.



Iskuporaus

Säädä vaihtokytkin (3) "iskuporaus"-symbolin kohdalle.



Vaihtokytkin (3) lukittuu tuntuvasti paikalleen ja sen asetuksen voi tehdä myös moottorin ollessa käynnissä.

Mekaaninen vaihteenvalinta

- **Vaihdekytkintä (2) voi käyttää sähkötyökalun käydessä hitaalla nopeudella. Sitä ei kuitenkaan saa käyttää pysäytetyn moottorin, täyden kuormituksen tai maksiminopeuden yhteydessä.**

Vaihdekytkimen (2) avulla voit valita 2 erilaista kierroslukua luetta.

Vaihte 1:

Matala kierroslukualue; ruuvaukseen tai suurten reikien poraukseen.



Vaihte 2:

Korkea kierroslukualue; pienten reikien poraukseen.



Jos vaihdekytkintä (2) ei saa käännettyä ääriasentoon, pyöritä käyttökaraa hieman poranterän avulla.

Käynnistys ja pysäytys

Käynnistä sähkötyökalu käynnistyskytkimellä (7) ja pidä sitä painettuna.

Kun haluat **lukita** alaspainetun käynnistyskytkimen (7), paina lukituspainiketta (5).

Kun haluat **sammuttaa** sähkötyökalun, vapauta käynnistyskytkin (7), tai jos se on lukittu lukituspainikkeella (5), paina lyhyesti käynnistyskytkintä (7) ja nosta tämän jälkeen sormi kytkimeltä.

εργαλεία που τροφοδοτούνται από το ηλεκτρικό δίκτυο (με ηλεκτρικό καλώδιο) καθώς και σε ηλεκτρικά εργαλεία που τροφοδοτούνται από μπαταρία (χωρίς ηλεκτρικό καλώδιο).

Ασφάλεια στο χώρο εργασίας

- ▶ **Διατηρείτε τον χώρο εργασίας καθαρό και καλά φωτισμένο.** Ρύπανση ή σκοτεινές περιοχές προκαλούν ατυχήματα.
- ▶ **Μην εργάζεσθε με το ηλεκτρικό εργαλείο σε περιβάλλον, όπου υπάρχει κίνδυνος έκρηξης, όπως με την παρουσία εύφλεκτων υγρών, αερίων ή σκόνης.** Τα ηλεκτρικά εργαλεία δημιουργούν σπινθηρισμό ο οποίος μπορεί να αναφλέξει τη σκόνη ή τις αναθυμιάσεις.
- ▶ **Όταν χρησιμοποιείτε το ηλεκτρικό εργαλείο, κρατάτε μακριά τα παιδιά και άλλα τυχόν παρευρισκόμενα άτομα.** Σε περίπτωση απόσπασης της προσοχής σας μπορεί να χάσετε τον έλεγχο του εργαλείου.

Ηλεκτρική ασφάλεια

- ▶ **Το φως του ηλεκτρικού εργαλείου πρέπει να ταιριάζει στην πράξη. Μην τροποποιήσετε το φως με κανέναν τρόπο. Μην χρησιμοποιείτε φως προσαρμογής σε συνδυασμό με γειωμένα ηλεκτρικά εργαλεία.** Αμεταποίητα φως και κατάλληλες πρίζες μειώνουν τον κίνδυνο ηλεκτροπληξίας.
- ▶ **Αποφεύγετε την επαφή του σώματός σας με γειωμένες επιφάνειες, όπως σωλήνες, θερμαντικά σώματα (καλοριφέρ), κουζίνες ή ψυγεία.** Όταν το σώμα σας είναι γειωμένο αυξάνεται ο κίνδυνος ηλεκτροπληξίας.
- ▶ **Μην εκθέτετε τα ηλεκτρικά εργαλεία στη βροχή ή στην υγρασία.** Η διείσδυση νερού σ' ένα ηλεκτρικό εργαλείο αυξάνει τον κίνδυνο ηλεκτροπληξίας.
- ▶ **Μην τραβάτε το καλώδιο. Μην χρησιμοποιείτε το καλώδιο για τη μεταφορά ή το τράβηγμα για την αποσύνδεση του ηλεκτρικού εργαλείου. Κρατάτε το καλώδιο μακριά από θερμότητα, λάδι, κοφτερές ακμές ή κινούμενα εξαρτήματα.** Τυχόν χαλασμένα ή περιπλεγμένα ηλεκτρικά καλώδια αυξάνουν τον κίνδυνο ηλεκτροπληξίας.
- ▶ **Όταν εργάζεσθε μ' ένα ηλεκτρικό εργαλείο στην ύπαιθρο, χρησιμοποιείτε καλώδιο επέκτασης (μπαλαντζέα) που είναι κατάλληλο και για εξωτερική χρήση.** Η χρήση καλωδίων επιμήκυνσης κατάλληλων για υπαίθριους χώρους ελαττώνει τον κίνδυνο ηλεκτροπληξίας.
- ▶ **Όταν η χρήση του ηλεκτρικού εργαλείου σε υγρό περιβάλλον είναι αναπόφευκτη, τότε χρησιμοποιήστε έναν προστατευτικό διακόπτη διαρροής (διακόπτης FI/RCD).** Η χρήση ενός προστατευτικού διακόπτη διαρροής ελαττώνει τον κίνδυνο ηλεκτροπληξίας.

Ασφάλεια προσώπων

- ▶ **Να είστε σε επαγρύπνηση, δίνετε προσοχή στην εργασία που κάνετε και χρησιμοποιείτε το ηλεκτρικό εργαλείο με περίσκεψη. Μην χρησιμοποιείτε το ηλεκτρικό εργαλείο όταν είστε κουρασμένοι ή υπό την επήρεια ναρκωτικών, οινοπνεύματος ή φαρμάκων.** Μια στιγμή απροσεξία κατά το χειρισμό του ηλεκτρικού

Jos virtajohto täytyy vaihtaa, turvallisuussyistä tämän saa tehdä vain **Bosch** tai valtuutettu **Bosch**-sähkötyökälujen huoltopiste.

Asiakaspalvelu ja käyttöneuvonta

Asiakaspalvelu vastaa tuotteisi korjausta ja huoltoa sekä varaosia koskeviin kysymyksiin. Räjätyskuvat ja varaosatiedot ovat myös verkko-osoitteessa: **www.bosch-pt.com**

Bosch-käyttöneuvontatiimi vastaa mielellään tuotteita ja tarvikkeita koskeviin kysymyksiin.

Ilmoita kaikissa kyselyissä ja varaosatilauksissa 10-numeroinen tuotenumero, joka on ilmoitettu tuotteen mallikilvessä.

Suomi

Robert Bosch Oy
Bosch-keskushuolto
Pakkalantie 21 A
01510 Vantaa

Voitte tilata varaosat suoraan osoitteesta www.bosch-pt.fi.

Puh.: 0800 98044

Faksi: 010 296 1838

www.bosch-pt.fi

Hävitys

Sähkötyökalu, lisätarvikkeet ja pakkaukset tulee toimittaa ympäristöstävälliseen uusiokäyttöön.



Älä heitä sähkötyökaluja talousjätteisiin!

Koskee vain EU-maita:

Eurooppalaisen käytöstä poistettuja sähkö- ja elektroniikkalaitteita koskevan direktiivin 2012/19/EU ja sitä vastaavan kansallisen lainsäädännön mukaan käyttökeltvottomat sähkötyökalut tulee kerätä erikseen ja toimittaa ympäristöstävälliseen uusiokäyttöön.

Ελληνικά

Υποδείξεις ασφαλείας

Γενικές υποδείξεις ασφαλείας για ηλεκτρικά εργαλεία

Διαβάστε όλες τις υποδείξεις ασφαλείας, οδηγίες, εικονογραφήσεις και όλα τα τεχνικά στοιχεία, που συνοδεύουν αυτό το ηλεκτρικό εργαλείο. Αμέλειες κατά την τήρηση των ακόλουθων υποδείξεων μπορεί να προκαλέσουν ηλεκτροπληξία, πυρκαγιά και/ή σοβαρούς τραυματισμούς.

Φυλάξτε όλες τις προειδοποιητικές υποδείξεις και οδηγίες για κάθε μελλοντική χρήση.

Ο όρος «ηλεκτρικό εργαλείο» που χρησιμοποιείται στις προειδοποιητικές υποδείξεις αναφέρεται σε ηλεκτρικά



ΠΡΟΕΙΔΟ-ΠΟΙΗΣΗ

- ▶ **Αποσυνδέστε το φως από την πρίζα και/ή απομακρύνετε μια αποσπώμενη μπαταρία από το ηλεκτρικό εργαλείο, προτού εκτελέσετε ρυθμίσεις, αλλάξετε εξαρτήματα ή προτού φυλάξετε το ηλεκτρικό εργαλείο.** Αυτά τα προληπτικά μέτρα ασφαλείας μειώνουν τον κίνδυνο από τυχόν αθέλητη εκκίνηση του ηλεκτρικού εργαλείου.
- ▶ **Φυλάγετε τα ηλεκτρικά εργαλεία που δε χρησιμοποιούνται μακριά από παιδιά και μην επιτρέψετε τη χρήση του ηλεκτρικού εργαλείου σε άτομα που δεν είναι εξοικειωμένα με το ηλεκτρικό εργαλείο ή τις οδηγίες για τη λειτουργία του ηλεκτρικού εργαλείου.** Τα ηλεκτρικά εργαλεία είναι επικίνδυνα όταν χρησιμοποιούνται από άπειρα πρόσωπα.
- ▶ **Συντηρείτε τα ηλεκτρικά εργαλεία και τα εξάρτημα. Ελέγχετε, αν τα κινούμενα εξαρτήματα είναι σωστά ευθυγραμμισμένα και προσαρμοσμένα ή μήπως έχουν σπάσει τυχόν εξαρτήματα ή οποιαδήποτε άλλη κατάσταση, η οποία επηρεάζει τη λειτουργία του ηλεκτρικού εργαλείου. Σε περίπτωση βλάβης, επισκευάστε το ηλεκτρικό εργαλείο πριν τη χρήση.** Η κακή συντήρηση των ηλεκτρικών εργαλείων αποτελεί αιτία πολλών ατυχημάτων.
- ▶ **Διατηρείτε τα εργαλεία κοπής κοφτερά και καθαρά.** Προσεκτικά συντηρημένα κοπτικά εργαλεία σφηνώνουν δυσκολότερα και οδηγούνται ευκολότερα.
- ▶ **Χρησιμοποιείτε τα ηλεκτρικά εργαλεία τα εξαρτήματα κτλ. σύμφωνα με αυτές τις οδηγίες, λαμβάνοντας υπόψη τις συνθήκες εργασίας και τις εργασίες που πρέπει να εκτελεστούν.** Η χρησιμοποίηση των ηλεκτρικών εργαλείων για εργασίες που δεν προβλέπονται γι' αυτά μπορεί να δημιουργήσει επικίνδυνες καταστάσεις.
- ▶ **Διατηρείτε τις λαβές και τις επιφάνειες λαβής στεγνές, καθαρές και ελεύθερες από λάδι και γράσο.** Οι ολισθηρές λαβές και επιφάνειες λαβής δεν επιτρέπουν κανέναν ασφαλή χειρισμό και έλεγχο του ηλεκτρικού εργαλείου σε τυχόν απρόβλεπτες καταστάσεις.

Σέρβις

- ▶ **Δώστε το ηλεκτρικό εργαλείο σας για συντήρηση από εξειδικευμένο προσωπικό, χρησιμοποιώντας μόνο γνήσια ανταλλακτικά.** Έτσι εξασφαλίζετε τη διατήρηση της ασφάλειας του ηλεκτρικού εργαλείου.

Προειδοποιήσεις ασφάλειας για δράπανα

Οδηγίες ασφαλείας για όλες τις εργασίες

- ▶ **Χρησιμοποιείτε προστασία ακοής κατά το τρύπημα με κρούση.** Η έκθεση στον θόρυβο μπορεί να προκαλέσει απώλεια της ακοής.
- ▶ **Χρησιμοποιήστε πρόσθετη(ες) χειρολαβή(ές).** Η απώλεια του ελέγχου μπορεί να προκαλέσει τραυματισμό.
- ▶ **Κρατάτε το ηλεκτρικό εργαλείο από τις μονωμένες επιφάνειες λαβής, όταν εκτελείτε μια εργασία, κατά την οποία το εξάρτημα κοπής ή τα εξαρτήματα σύνδεσης μπορεί να έρθουν σε επαφή με κρυμμένη καλωδίωση ή με το ίδιο του το καλώδιο.** Εάν το εξάρτημα κοπής ή τα εξαρτήματα σύνδεσης ακουμπήσει έναν ηλεκτροφόρο αγωγό μπορεί τα ακάλυπτα μεταλλικά

εργαλείου μπορεί να οδηγήσει σε σοβαρούς τραυματισμούς.

- ▶ **Χρησιμοποιείτε τον προσωπικό εξοπλισμό προστασίας. Φοράτε πάντα προστατευτικά γυαλιά.** Ο κατάλληλος προστατευτικός εξοπλισμός, όπως μάσκα προστασίας από σκόνη, αντιολισθητικά υποδήματα ασφαλείας, προστατευτικό κράνος ή ωσπίδες, ανάλογα με τις εκάστοτε συνθήκες, ελαττώνει τον κίνδυνο τραυματισμών.
- ▶ **Αποφεύγετε την αθέλητη εκκίνηση. Βεβαιωθείτε, ότι ο διακόπτης είναι στη θέση Off, πριν συνδέσετε το ηλεκτρικό εργαλείο με την πηγή τροφοδοσίας και/ή την μπαταρία καθώς και πριν το παραλάβετε ή το μεταφέρετε.** Όταν μεταφέρετε τα ηλεκτρικά εργαλεία έχοντας το δάχτυλό σας στο διακόπτη ή όταν συνδέσετε τα ηλεκτρικά εργαλεία με την πηγή ρεύματος όταν αυτά είναι ακόμη στη θέση ON, τότε δημιουργείται κίνδυνος τραυματισμών.
- ▶ **Απομακρύνετε από το ηλεκτρικό εργαλείο τυχόν εξαρτήματα ρύθμισης ή κλειδιά πριν θέσετε το ηλεκτρικό εργαλείο σε λειτουργία.** Ένα εργαλείο ή κλειδί συναρμολογημένο σ' ένα περιστρεφόμενο τμήμα ενός ηλεκτρικού εργαλείου μπορεί να οδηγήσει σε τραυματισμούς.
- ▶ **Προσέχετε πως στέκεστε. Φροντίζετε για την ασφαλή στάση του σώματός σας και διατηρείτε πάντοτε την ισορροπία σας.** Έτσι μπορείτε να ελέγξετε καλύτερα το ηλεκτρικό εργαλείο σε περιπτώσεις απροσδόκωτων περιστάσεων.
- ▶ **Φοράτε σωστή ενδυμασία. Μη φοράτε φαρδιά ρούχα ή κοσμήματα. Κρατάτε τα μαλλιά και τα ρούχα σας μακριά από τα κινούμενα εξαρτήματα.** Χαλαρή ενδυμασία, κοσμήματα ή μακριά μαλλιά μπορεί να εμπλακούν στα κινούμενα εξαρτήματα.
- ▶ **Όταν υπάρχει η δυνατότητα σύνδεσης διατάξεων αναρρόφησης ή συλλογής σκόνης, βεβαιωθείτε ότι αυτές είναι συνδεδεμένες και ότι χρησιμοποιούνται σωστά.** Η χρήση μιας αναρρόφησης σκόνης μπορεί να ελαττώσει τον κίνδυνο που προκαλείται από τη σκόνη.
- ▶ **Μην εφησυχάζετε σε μια λάθος ασφαλεία και μην αφήσατε τους κανόνες ασφαλείας για τα ηλεκτρικά εργαλεία, ακόμα και όταν μετά από συχνή χρήση είστε εξοικειωμένοι με το εργαλείο.** Ένας απρόσεκτος χειρισμός μπορεί μέσα σε κλάσματα του δευτερολέπτου να οδηγήσει σε σοβαρούς τραυματισμούς.

Χρήση και φροντίδα των ηλεκτρικών εργαλείων

- ▶ **Μην υπερφορτώνετε το ηλεκτρικό εργαλείο. Χρησιμοποιήστε το σωστό ηλεκτρικό εργαλείο για την εφαρμογή σας.** Με το κατάλληλο ηλεκτρικό εργαλείο εργάζεστε καλύτερα και ασφαλέστερα στην αναφερόμενη περιοχή ισχύος.
- ▶ **Μη χρησιμοποιήσετε ποτέ ένα ηλεκτρικό εργαλείο που έχει χαλασμένο διακόπτη On/Off.** Ένα ηλεκτρικό εργαλείο που δεν μπορείτε πλέον να το θέσετε σε λειτουργία και/ή εκτός λειτουργίας είναι επικίνδυνο και πρέπει να επισκευαστεί.

Χρήση σύμφωνα με τον προορισμό

Το ηλεκτρικό εργαλείο προορίζεται για τρύπημα με κρούση σε τούβλα, μπετόν και πέτρωμα καθώς και για τρύπημα σε ξύλο, μέταλλο και συνθετικό υλικό και κεραμικά. Τα εργαλεία με ηλεκτρονική ρύθμιση και δεξιά και αριστερή περιστροφή είναι επίσης κατάλληλα για βίδωμα και σπειροτόμηση.

Απεικονιζόμενα στοιχεία

Η απαρίθμηση των απεικονιζόμενων στοιχείων αναφέρεται στην απεικόνιση του ηλεκτρικού εργαλείου στη σελίδα γραφικών.

- (1) Ταχυτόκ
- (2) Διακόπτης επιλογής ταχύτητας
- (3) Διακόπτης αλλαγής λειτουργίας «Τρύπημα/Τρύπημα με κρούση»
- (4) Διακόπτης αλλαγής της φοράς περιστροφής
- (5) Πλήκτρο ακινητοποίησης του διακόπτη On/Off
- (6) Τροχίσκος προεπιλογής του αριθμού στροφών
- (7) Διακόπτης On/Off
- (8) Κουμπί απασφάλισης της αναρρόφησης της σκόνης
- (9) Κουτί συλλογής της σκόνης πλήρες (σύστημα μικροφίλτρου)
- (10) Πρόσθετη λαβή (μονωμένη επιφάνεια λαβής)^{A)}
- (11) Πλήκτρο για ρύθμιση του τηλεσκοπικού οδηγού
- (12) Αναρρόφηση σκόνης
- (13) Τηλεσκοπικός οδηγός
- (14) Πλήκτρο για τη ρύθμιση του οδηγού βάθους
- (15) Δακτύλιος συλλογής σκόνης για τρυπάνια
- (16) Χειρολαβή (μονωμένες επιφάνειες λαβής)
- (17) Οδηγός βάθους^{A)}
- (18) Κατσαβιδόλαμα^{A)}
- (19) Υποδοχή συγκράτησης κατσαβιδόλαμας γενικής χρήσης^{A)}
- (20) Κλειδί τσοκ^{A)}
- (21) Γραναζωτό τσοκ^{A)}
- (22) Κλειδί εσωτερικού εξαγώνου^{B)}
- (23) Αυλάκι οδηγός της αναρρόφησης της σκόνης
- (24) Στοιχείο φίλτρου (σύστημα μικροφίλτρου)
- (25) Κουμπί απασφάλισης του κουτιού σκόνης
- (26) Καπάκι κουτιού σκόνης
- (27) Οδηγός βάθους (αναρρόφηση σκόνης)^{A)}
- (28) Λαστιχένιο δακτυλίδι για τον δακτύλιο συλλογής της σκόνης
- (29) Κουμπί απασφάλισης του δακτυλίου συλλογής της σκόνης

A) **Εξαρτήματα που απεικονίζονται ή περιγράφονται δεν περιέχονται στη στάνταρ συσκευασία. Τον πλήρη κατάλογο εξαρτημάτων μπορείτε να τον βρείτε στο πρόγραμμα εξαρτημάτων.**

B) **του εμπορίου (δε συμπεριλαμβάνεται στα υλικά παράδοσης)**

μέρη του ηλεκτρικού εργαλείου να τεθούν υπό τάση και να προκαλέσουν ηλεκτροπληξία στον χειριστή.

Οδηγίες ασφαλείας όταν χρησιμοποιείτε μακριά τρυπάνια

- ▶ **Ποτέ μην εργάζεστε με μεγαλύτερη ταχύτητα από την μέγιστη ονομαστική ταχύτητα του τρυπανιού.** Σε μεγαλύτερες ταχύτητες το τρυπάνι μπορεί να λυγίσει, εάν επιτρέπεται να περιστρέφεται ελεύθερα χωρίς επαφή με το επεξεργαζόμενο κομμάτι, με αποτέλεσμα τον τραυματισμό.
- ▶ **Ξεκινάτε πάντοτε το τρύπημα σε χαμηλή ταχύτητα και με την άκρη του τρυπανιού σε επαφή με το επεξεργαζόμενο κομμάτι.** Σε μεγαλύτερες ταχύτητες το τρυπάνι μπορεί να λυγίσει, εάν επιτρέπεται να περιστρέφεται ελεύθερα χωρίς επαφή με το επεξεργαζόμενο κομμάτι, με αποτέλεσμα τον τραυματισμό.
- ▶ **Εφαρμόστε την πίεση σε απευθείας γραμμή με το τρυπάνι και μην ασκείτε υπερβολική πίεση.** Τα τρυπάνια μπορεί να λυγίσουν, προκαλώντας θραύση ή την απώλεια του ελέγχου, με αποτέλεσμα τον τραυματισμό.

Πρόσθετες υποδείξεις ασφαλείας

- ▶ **Απενεργοποιήστε αμέσως το ηλεκτρικό εργαλείο, όταν το εξάρτημα μπλοκάρει. Να είστε προετοιμασμένοι για υψηλές ροπές αντίδρασης, οι οποίες προκαλούν ανάδραση.** Το εξάρτημα μπλοκάρει, όταν το ηλεκτρικό εργαλείο υπερφορτωθεί ή μαγκωθεί στο επεξεργαζόμενο κομμάτι.
- ▶ **Κρατάτε το ηλεκτρικό εργαλείο σταθερά.** Κατά το σφίξιμο και λύσιμο των βιδών μπορούν να εμφανιστούν για λίγο υψηλές ροπές αντίδρασης.
- ▶ **Ασφαλίστε το επεξεργαζόμενο κομμάτι.** Ένα επεξεργαζόμενο κομμάτι συγκρατείται ασφαλέστερα με μια διάταξη σύσφιξης ή με μια μέγερνη παρά με το χέρι σας.
- ▶ **Χρησιμοποιείτε κατάλληλες συσκευές ανίχνευσης για να εντοπίσετε τυχόν μη ορατούς αγωγούς τροφοδοσίας ή συμβουλευτείτε την τοπική εταιρία παροχής ενέργειας.** Η επαφή με ηλεκτρικές γραμμές μπορεί να οδηγήσει σε πυρκαγιά και ηλεκτροπληξία. Η πρόκληση ζημιάς σ' έναν αγωγό φωταερίου (γκαζιού) μπορεί να οδηγήσει σε έκρηξη. Το τρύπημα ενός σωλήνα νερού προκαλεί ζημιά σε πράγματα ή/και μπορεί να οδηγήσει σε ηλεκτροπληξία.
- ▶ **Περιμένετε, μέχρι να ακινητοποιηθεί το ηλεκτρικό εργαλείο, προτού το εναποθέσετε.** Το τοποθετημένο εξάρτημα μπορεί να σφηνώσει και να οδηγήσει στην απώλεια του ελέγχου του ηλεκτρικού εργαλείου.

Περιγραφή προϊόντος και ισχύος

Διαβάστε όλες τις υποδείξεις ασφαλείας και τις οδηγίες.

Η μη τήρηση των υποδείξεων ασφαλείας και των οδηγιών μπορεί να προκαλέσει ηλεκτροπληξία, πυρκαγιά και/ή σοβαρούς τραυματισμούς.

Προσέξτε παρακαλώ τις εικόνες στο μπροστινό μέρος των οδηγιών λειτουργίας.



Πληροφορίες θορύβου/κραδασμών

Τιμές εκπομπής θορύβου υπολογισμένες κατά **EN 62841-2-1**.

Η σταθμισμένη Α ηχητική στάθμη του ηλεκτρικού εργαλείου ανέρχεται τυπικά στις ακόλουθες τιμές: Στάθμη ηχητικής πίεσης **95 dB(A)**, στάθμη ηχητικής ισχύος **106 dB(A)**.

Ανασφάλεια **K = 5 dB**.

Φοράτε προστασία ακοής!

Συνολικές τιμές ταλαντώσεων a_h (διανυσματικό άθροισμα τριών κατευθύνσεων) και ανασφάλεια **K** υπολογισμένες κατά **EN 62841-2-1**.

Τρύπημα σε μέταλλο: $a_h = 3,0 \text{ m/s}^2$, $K = 1,5 \text{ m/s}^2$.

Τρύπημα με κρούση σε μπετόν: $a_h = 15 \text{ m/s}^2$, $K = 2,0 \text{ m/s}^2$.

Βίδωμα: $a_h < 2,5 \text{ m/s}^2$, $K = 1,5 \text{ m/s}^2$.

Σπειροτόμηση: $a_h < 2,5 \text{ m/s}^2$, $K = 1,5 \text{ m/s}^2$.

Η στάθμη κραδασμών και η τιμή εκπομπής θορύβου που αναφέρονται σ' αυτές τις οδηγίες έχουν μετρηθεί σύμφωνα με μια τυποποιημένη μέθοδο μέτρησης και μπορούν να χρησιμοποιηθούν στη σύγκριση των διαφόρων ηλεκτρικών εργαλείων. Είναι επίσης κατάλληλες για μια προσωρινή εκτίμηση της εκπομπής κραδασμών και θορύβου.

Η αναφερόμενη στάθμη κραδασμών και τιμή εκπομπής θορύβου αντιπροσωπεύουν τις βασικές χρήσεις του ηλεκτρικού εργαλείου. Σε περίπτωση όμως που το ηλεκτρικό εργαλείο χρησιμοποιηθεί διαφορετικά με μη προτεινόμενα εξαρτήματα ή χωρίς επαρκή συντήρηση, τότε η στάθμη κραδασμών και η τιμή εκπομπής θορύβου αποκλίνουν. Αυτό μπορεί να αυξήσει σημαντικά την εκπομπή κραδασμών και θορύβου κατά τη συνολική διάρκεια του χρόνου εργασίας.

Για την ακριβή εκτίμηση των εκπομπών κραδασμών και θορύβου θα πρέπει να λαμβάνονται επίσης υπόψη και οι χρόνοι κατά τη διάρκεια των οποίων το εργαλείο είναι απενεργοποιημένο ή λειτουργεί, χωρίς όμως στην πραγματικότητα να χρησιμοποιείται. Αυτό μπορεί να μειώσει σημαντικά τις εκπομπές κραδασμών και θορύβου κατά τη συνολική διάρκεια του χρόνου εργασίας.

Γι' αυτό, πριν αρχίσουν οι επιπτώσεις των κραδασμών, πρέπει να καθορίζετε συμπληρωματικά μέτρα ασφαλείας για την προστασία του χειριστή όπως: Συντήρηση του ηλεκτρικού εργαλείου και των εξαρτημάτων που χρησιμοποιείτε, διατήρηση ζεστών των χεριών, οργάνωση της εκτέλεσης των διάφορων εργασιών.


Συναρμολόγηση

- **Βγάξτε το φικ από την πρίζα πριν από οποιαδήποτε εργασία στο ηλεκτρικό εργαλείο.**

Πρόσθετη λαβή

- **Χρησιμοποιείτε το ηλεκτρικό εργαλείο σας μόνο με την πρόσθετη λαβή (10).**


Μπορείτε να ρυθμίσετε την πρόσθετη λαβή (10) σε 12 θέσεις, για την επίτευξη μιας ασφαλούς και ξεκούραστης στάσης εργασίας.

Γυρίστε το κάτω μέρος της πρόσθετης λαβής (10) προς τη φορά περιστροφής  και απώξτε την πρόσθετη λαβή (10) προς τα εμπρός τόσο, μέχρι να μπορέσετε να την στρέψετε

Τεχνικά στοιχεία

Κρουστικό δράπανο	GSB 19-2 REA	
Κωδικός αριθμός		3 601 A7C 5..
Ονομαστική ισχύς	W	900
Μέγιστη ισχύς	W	455
Αριθμός στροφών χωρίς φορτίο		
- 1η ταχύτητα	min ⁻¹	0-1 000
- 2η ταχύτητα	min ⁻¹	0-3.000
Ονομαστικός αριθμός στροφών		
- 1η ταχύτητα	min ⁻¹	770
- 2η ταχύτητα	min ⁻¹	1990
Αριθμός κρούσεων στον αριθμό στροφών χωρίς φορτίο	min ⁻¹	51 000
Ονομαστική ροπή στρέψης		
- 1η ταχύτητα	Nm	5,7
- 2η ταχύτητα	Nm	2,2
Προεπιλογή αριθμού στροφών		●
Δεξιόστροφη/αριστερόστροφη κίνηση		●
Γραναζωτό τσοκ		-
Ταχυσόκ		●
Πλήρως αυτόματο κλειδώμα του άξονα (Auto-Lock)		●
Διάμετρος λαμίου άξονα	mm	43
Μέγιστη διάμ. τρυπήματος (1η/2η ταχύτητα)		
- Μπετόν	mm	18/13
- Τοίχος	mm	20/15
- Χάλυβας	mm	13/8
- Ξύλο	mm	40/25
Περιοχή σύσφιξης τσοκ	mm	1,5-13
Αναρροφητική ικανότητα	λίτρα/λεπτό	460
Χωρητικότητα κουτιού σκόνης (σε οριζόντια τρυπήματα)		
- Τρύπες 6 x 30 mm	Τεμάχια	130
- Τρύπες 8 x 30 mm	Τεμάχια	75
- Τρύπες 10 x 30 mm	Τεμάχια	45

Βάρος κατά EPTA-Procedure 01:2014		
- με διάταξη αναρρόφησης	kg	3,2
- χωρίς διάταξη αναρρόφησης	kg	2,6

Βαθμός προστασίας  / II
 Τα στοιχεία ισχύουν για μια ονομαστική τάση [U] 230 V. Σε περίπτωση που υπάρχουν αποκλίσεις τάσεις και στις ειδικές για κάθε χώρα εκδόσεις αυτά τα στοιχεία μπορεί να διαφέρουν.

Αποσυαρμολόγηση του τσοκ (βλέπε εικόνα D)

Αποσυαρμολογήστε την πρόσθετη λαβή και θέστε τον διακόπτη επιλογής ταχύτητας **(2)** στη μεσαία θέση μεταξύ 1ης και 2ης ταχύτητας.

Περάστε έναν χαλύβδινο πείρο με Ø 4 mm και μήκος περίπου 50 mm μέσα στην οπή στον λαϊμό του άξονα, για να ασφαλιστεί τον άξονα του δράπανου.

Σφίξτε ένα κλειδί εσωτερικού εξαγώνου **(22)** με το κοντό στέλεχος μπροστά στο ταχυσόκ **(1)**.

Ακουμπήστε το ηλεκτρικό εργαλείο πάνω σε μια σταθερή επιφάνεια, π.χ. έναν πάγκο εργασίας. Κρατήστε το ηλεκτρικό εργαλείο σταθερά και λύστε το ταχυσόκ **(1)**, περιστρέφοντας το κλειδί εσωτερικού εξαγώνου **(22)** προς τη φορά περιστροφής **⚙**. Ένα μαγκωμένο ταχυσόκ λύνεται με ένα ελαφρό χτύπημα στο μακρύ στέλεχος του κλειδιού εσωτερικού εξαγώνου **(22)**. Απομακρύνετε το κλειδί εσωτερικού εξαγώνου από το ταχυσόκ και ξεβιδώστε εντελώς το ταχυσόκ.

Στα ηλεκτρικά εργαλεία με γραναζωτό τσοκ η αποσυαρμολόγηση διεξάγεται ανάλογα με την παραπάνω περιγραφή.

Στα ηλεκτρικά εργαλεία με ταχυσόκ μπορεί αντί του κλειδιού εσωτερικού εξαγώνου **(22)** να τοποθετηθεί ένα γερμανικό κλειδί (άνοιγμα κλειδιού 19 mm) πάνω στο τσοκ.

Συναρμολόγηση του τσοκ (βλέπε εικόνα E)

Η συναρμολόγηση του ταχυσόκ/του γραναζωτού τσοκ διεξάγεται με αντίστροφη φορά.



Το τσοκ πρέπει να σφίξει με μια ροπή σύσφιγξης περίπου 50-55 Nm.

- ▶ **Μετά τη συναρμολόγηση του τσοκ αφαιρέστε πάλι το χαλύβδινο πείρο από την τρύπα.**

Αναρρόφηση σκόνης/δοχείο σκόνης

Η σκόνη από ορισμένα υλικά, π.χ. από μολυβδόυρες μπιονιές, από μερικά είδη ξύλου, από ορυκτά υλικά και από μέταλλα μπορεί να είναι ανθυγιεινή. Η επαφή με τη σκόνη ή/και η εισπνοή της μπορεί να προκαλέσει αλλεργικές αντιδράσεις ή/και ασθένειες των αναπνευστικών οδών του χρήστη ή τυχόν παρευρισκομένων ατόμων.

Ορισμένα είδη σκόνης, π.χ. σκόνη από ξύλο βελανιδιάς ή οξιάς θεωρούνται καρκινογόνα, ιδιαίτερα σε συνδυασμό με διάφορα συμπληρωματικά υλικά που χρησιμοποιούνται στην κατεργασία ξύλων (ενώσεις χρωμίου, ξυλοπροστατευτικά μέσα). Η κατεργασία αμιαντούχων υλικών επιτρέπεται μόνο σε ειδικά εκπαιδευμένα άτομα.

- Να χρησιμοποιείτε κατά το δυνατό για το εκάστοτε υλικό την κατάλληλη αναρρόφηση.
- Να φροντίζετε για τον καλό αερισμό του χώρου εργασίας.
- Σας συμβουλευόμαστε να φοράτε μάσκες αναπνευστικής προστασίας με φίλτρο κατηγορίας P2.

Να τηρείτε τις διατάξεις που ισχύουν στη χώρα σας για τα διάφορα υπό κατεργασία υλικά.

- ▶ **Χρησιμοποιείτε τη διάταξη αναρρόφησης μόνο σε περίπτωση επεξεργασίας μπετόν, τούβλων και λιθοδομής.** Τα απόβλητα ξύλου ή πλαστικού μπορούν εύκολα να οδηγήσουν σε φράξιμο.

στην επιθυμητή θέση. Μετά τραβήξτε την πρόσθετη λαβή **(10)** ξανά πίσω και σφίξτε ξανά το κάτω μέρος της λαβής προς τη φορά περιστροφής **⚙** σταθερά.

Ρύθμιση του βάθους τρυπήματος (βλέπε εικόνα A)

Με τον οδηγό βάθους **(27)** μπορεί να καθοριστεί το επιθυμητό βάθος τρυπήματος **X**.

Γυρίστε το κάτω μέρος της πρόσθετης λαβής **(10)** ενάντια στη φορά των δεικτών του ρολογιού και τοποθετήστε τον οδηγό βάθους **(17)**.

Τραβήξτε έξω τον οδηγό βάθους τόσο, ώστε η απόσταση μεταξύ της μύτες του τρυπανιού και της άκρης του οδηγού βάθους να αντιστοιχεί στο επιθυμητό βάθος τρυπήματος **X**. Μετά σφίξτε ξανά το κάτω μέρος της πρόσθετης λαβής **(10)** προς τη φορά των δεικτών του ρολογιού σταθερά.

Οι ραβδώσεις στον οδηγό βάθους **(17)** πρέπει να δείχνουν προς τα πάνω.

Αλλαγή εξαρτημάτων

- ▶ **Κατά την αλλαγή των εξαρτημάτων φοράτε προστατευτικά γάντια.** Το τσοκ μπορεί να ζεσταθεί υπερβολικά όταν εργάζεσθε συνεχώς και για πολύ χρόνο.

Ταχυσόκ (βλέπε εικόνα B)

Με μη πατημένο τον διακόπτη On/Off **(7)** ασφαρίζεται ο άξονας του δράπανου. Αυτό επιτρέπει τη γρήγορη και άνετη αλλαγή εξαρτήματος στο τσοκ.

Ανοίξτε το ταχυσόκ **(1)**, περιστρέφοντας προς τη φορά περιστροφής **⚙**, μέχρι να μπορεί να τοποθετηθεί το εξάρτημα. Τοποθετήστε το εξάρτημα.

Γυρίστε το δακτύλιο του ταχυσόκ **(1)** προς τη φορά περιστροφής **⚙** δυνατά με το χέρι, μέχρι να μην ακούγεται πλέον κανένα κλικ. Το τσοκ ασφαρίζεται έτσι αυτόματα.

Η ασφάλιση λύνεται πάλι, όταν, για να αφαιρέσετε το εξάρτημα, γυρίσετε το κέλυφος με αντίθετη φορά.

Γραναζωτό τσοκ (βλέπε εικόνα C)

Ανοίξτε το γραναζωτό τσοκ **(21)**, περιστρέφοντας, ώπου να μπορεί το εξάρτημα να τοποθετηθεί. Τοποθετήστε το εξάρτημα.

Τοποθετήστε το κλειδί του τσοκ **(20)** στις αντίστοιχες τρύπες του γραναζωτού τσοκ **(21)** και σφίξτε το εξάρτημα ομοιόμορφα.

Εργαλεία βιδώματος

Σε περίπτωση χρήσης κατασβιδόλαμων **(18)** πρέπει να χρησιμοποιείτε πάντοτε μια υποδοχή κατασβιδόλαμας γενικής χρήσης **(19)**. Χρησιμοποιείτε πάντοτε κατασβιδόλαμες κατάλληλες για την κεφαλή της εκάστοτε βίδας.

Για βίδωμα θέτετε τον διακόπτη αλλαγής λειτουργίας «Τρύπημα/τρύπημα με κρούση» **(3)** πάντοτε στο σύμβολο «Τρύπημα».

Αλλαγή τσοκ

- ▶ **Βγάξτε το φικ από την πρίζα πριν από οποιαδήποτε εργασία στο ηλεκτρικό εργαλείο.**

Ανοίξτε το κλαπέτο **(26)** στην κάτω πλευρά και αδειάστε το κουτί συλλογής της σκόνης.

Ελέγξτε το στοιχείο του φίλτρου **(24)** για τυχόν ζημιές. Αντικαταστήστε αμέσως ένα τυχόν χαλασμένο στοιχείο φίλτρου.

Κλείστε το κλαπέτο **(26)** και σπρώξτε το κουτί συλλογής της σκόνης ξανά από κάτω στην αναρρόφηση της σκόνης 13, μέχρι να ασφαλίσει με τον χαρακτηριστικό ήχο.

Αλλαγή του στοιχείου του φίλτρου (βλέπε εικόνα H)

Για τη διατήρηση της ικανότητας φιλτραρίσματος, το στοιχείο του φίλτρου **(24)** του κουτιού συλλογής της σκόνης **(9)** πρέπει να αλλάξει μετά περίπου 15 ώρες λειτουργίας.

Για την αφαίρεση του κουτιού συλλογής της σκόνης **(9)** πατήστε τα δύο κουμπιά απασφάλισης **(25)** και τραβήξτε το κουτί συλλογής της σκόνης προς τα κάτω έξω από την αναρρόφηση της σκόνης **(12)**.

Αφαιρέστε το στοιχείο του φίλτρου **(24)** προς τα επάνω και τοποθετήστε ένα νέο στοιχείο φίλτρου.

Σπρώξτε το κουτί συλλογής της σκόνης ξανά από κάτω στην αναρρόφηση της σκόνης **(12)**, μέχρι να ασφαλίσει με τον χαρακτηριστικό ήχο.

Υπόδειξη: Αντικαταστήστε το στοιχείο του φίλτρου **(24)** αμέσως, όταν είναι χαλασμένο (π.χ. τρύπες, ζημιά του μαλακού υλικού στεγανοποίησης). Όταν εργαστείτε με χαλασμένο στοιχείο φίλτρου μπορεί να υποστεί ζημιά το ηλεκτρικό εργαλείο. Αλλάξτε το στοιχείο του φίλτρου **(24)** επίσης, όταν η απορροφητική ικανότητα είναι ανεπαρκής ακόμη και με άδειο το κουτί συλλογής της σκόνης **(9)**.

Ρύθμιση του βάθους τρυπήματος (βλέπε εικόνα I)

Με τον οδηγό βάθους **(27)** μπορεί να καθοριστεί το επιθυμητό βάθος τρυπήματος **X**.

Τοποθετήστε το τρυπάνι στο τσοκ και σφίξτε το τρυπάνι, βλέπε στην ενότητα Αλλαγή εξαρτήματος. Ακουμπήστε το ηλεκτρικό εργαλείο, χωρίς να το θέσετε σε λειτουργία, σταθερά επάνω στην επιφάνεια που πρόκειται να τρυπήσετε, μέχρι το τρυπάνι να καθίσει επάνω στην επιφάνεια.

Πατήστε το πλήκτρο για τη ρύθμιση του οδηγού βάθους **(14)** και μετακινήστε τον οδηγό βάθους **(27)** έτσι, ώστε η εμφανιζόμενη στην εικόνα απόσταση **X** να αντιστοιχεί στο επιθυμητό βάθος τρυπήματος.

Προσαρμογή της αναρρόφησης της σκόνης στο μήκος του εργαλείου (βλέπε εικόνα J)

Για άνετη εργασία με κοντά εξαρτήματα μπορεί να προσαρμοστεί το μήκος της αναρρόφησης της σκόνης **(12)**.

Πατήστε το πλήκτρο **(11)** και σπρώξτε τον τηλεσκοπικό οδηγό **(13)** με πατημένο το πλήκτρο μέσα στην αναρρόφηση της σκόνης **(12)** τόσο, μέχρι να βρίσκεται ο δακτύλιος συλλογής της σκόνης κοντά στη μύτη του εξαρτήματος.

Για να επεκτείνετε ξανά τον τηλεσκοπικό οδηγό, πατήστε το πλήκτρο **(11)** εκ νέου.

Δακτύλιος συλλογής της σκόνης για τρυπάνι (βλέπε εικόνα K)

Ο δακτύλιος συλλογής της σκόνης για το τρυπάνι **(15)** μπορεί να εξοπλιστεί με λαστιχένια δακτυλίδια **(28)** σε δύο μεγέθη.

Για τρύπες με διάμετρο έως 12 mm χρησιμοποιείτε το

► **Προσοχή κίνδυνος πυρκαγιάς! Μην επεξεργάζεστε μεταλλικά υλικά με τοποθετημένη τη διάταξη αναρρόφησης.** Τα καυτά γρέζια του μετάλλου μπορούν να προκαλέσουν ανάφλεξη σε τμήματα του δοχείου της σκόνης.

► **Αποφεύγετε τη δημιουργία συσσωρεύσεων σκόνης στο χώρο που εργάζεστε.** Οι σκόνες αναφλέγονται εύκολα.

Υπόδειξη: Μη χρησιμοποιείτε την αναρρόφηση της σκόνης **(12)** στο βίδωμα ή στη σπειροτόμηση.

Η αναρρόφηση της σκόνης **(12)** επανέρχεται κατά την εργασία έτσι, ώστε ο δακτύλιος συλλογής της σκόνης να πιέζεται διαρκώς επάνω στην επιφάνεια. Η αναρρόφηση της σκόνης ενεργοποιείται/απενεργοποιείται αυτόματα μαζί με το ηλεκτρικό εργαλείο.

Δώστε προσοχή στις παρακάτω υποδείξεις για να επιτύχετε ένα άριστο αναρροφητικό αποτέλεσμα:

- Το χρησιμοποιούμενο εξάρτημα δεν επιτρέπεται να προέχει πάνω από τον δακτύλιο συλλογής της σκόνης **(15)**.
- Προσέξτε, να ακουμπά η διάταξη αναρρόφησης ισόπεδα στο επεξεργαζόμενο κομμάτι ή στον τοίχο. Έτσι επιτυγχάνεται ταυτόχρονα ένα κάθετο τρύπημα.
- Κατά τη χρήση της διάταξης αναρρόφησης να εργάζεστε πάντοτε με τον μέγιστο αριθμό στροφών.
- Όταν φτάσετε στο επιθυμητό βάθος να βγάξετε πρώτα το τρυπάνι από την τρύπα και ακολούθως να διακόψετε τη λειτουργία του κρουστικού δραπάνου.
- Ελέγχετε τακτικά την κατάσταση του στοιχείου του φίλτρου **(24)**. Σε περίπτωση ζημιάς του στοιχείου του φίλτρου αντικαταστήστε το αμέσως.

Αφαίρεση/τοποθέτηση της αναρρόφησης της σκόνης (βλέπε εικόνα F)

Για την αφαίρεση της αναρρόφησης της σκόνης πατήστε το κουμπιό απασφάλισης **(8)** και αφαιρέστε την αναρρόφηση της σκόνης προς τα εμπρός.

Στρέψτε γι' αυτό ενδεχομένως την πρόσθετη λαβή **(10)** στα πλάγια.

Για την τοποθέτηση της αναρρόφησης της σκόνης **(12)** σπρώξτε την με τα αυλάκια οδηγούς **(23)** στην υποδοχή στο ηλεκτρικό εργαλείο, μέχρι να ασφαλίσει με τον χαρακτηριστικό ήχο.

Αυτοαναρρόφηση με κουτί συλλογής της σκόνης (βλέπε εικόνα G)

Η στάθμη πλήρωσης στο κουτί συλλογής της σκόνης **(9)** μπορεί να ελεγχθεί εύκολα μέσα από το διαφανές κλαπέτο **(26)**.

Αδειάζετε έγκαιρα το κουτί σκόνης επειδή διαφορετικά επηρεάζεται η αναρροφητική ικανότητα.

Για την αφαίρεση του κουτιού συλλογής της σκόνης **(9)** πατήστε τα δύο κουμπιά απασφάλισης **(25)** και τραβήξτε το κουτί συλλογής της σκόνης προς τα κάτω έξω από την αναρρόφηση της σκόνης **(12)**.

Πριν ανοίξετε το κουτί συλλογής της σκόνης **(9)** πρέπει να το κτυπήσετε ελαφρά πάνω σε μια σταθερή επιφάνεια, για να χαλαρώσετε τη σκόνη από το στοιχείο του φίλτρου **(24)**.

περίπτωση ακινητοποίησης, πλήρους φορτίου ή μέγιστου αριθμού στροφών.

Με τον διακόπτη επιλογής ταχύτητας (2) μπορούν να προεπιλεγούν 2 περιοχές αριθμού στροφών.

Ταχύτητα I:

Περιοχή χαμηλού αριθμού στροφών. Για εργασίες με τρυπάνια με μεγάλη διάμετρο ή για βίδωμα.



Ταχύτητα II:

Περιοχή υψηλού αριθμού στροφών. Για εργασίες με τρυπάνια με μικρή διατομή.



Σε περίπτωση που ο διακόπτης επιλογής ταχύτητας (2) δεν μπορεί να στραφεί μέχρι τέρμα, περιστρέψτε λίγο τον άξονα κίνησης με το τρυπάνι.

Ενεργοποίηση/απενεργοποίηση

Για τη **θέση σε λειτουργία** του ηλεκτρικού εργαλείου πατήστε τον διακόπτη On/Off (7) και κρατήστε τον πατημένο.

Για την **ακινητοποίηση** του πατημένου διακόπτη On/Off (7) πατήστε το πλήκτρο ακινητοποίησης (5).

Για την **απενεργοποίηση** του ηλεκτρικού εργαλείου αφήστε τον διακόπτη On/Off (7) ελεύθερο ή όταν είναι κλειδωμένος με το πλήκτρο ακινητοποίησης (5), πατήστε σύντομα τον διακόπτη On/Off (7) και αφήστε τον μετά ελεύθερο.

Συμπλέκτης υπερφόρτισης

Για τον περιορισμό των υψηλών ροπών αντίδρασης το ηλεκτρικό εργαλείο είναι εξοπλισμένο με έναν συμπλέκτη υπερφόρτισης (Anti-Rotation = ανάστροφη περιστροφή).



► Σε περίπτωση που το εξάρτημα σφηνώνει ή προσκρούσει κάπου, διακόπτεται η μετάδοση κίνησης στον άξονα. Κρατάτε το ηλεκτρικό εργαλείο, λόγω των εμφανιζόμενων εδώ δυνάμεων, πάντοτε με τα δύο χέρια καλά σταθερά και φροντίζετε για μια ασφαλή στάση.

► Απενεργοποιήστε το ηλεκτρικό εργαλείο και λύστε το εξάρτημα, όταν μπλοκάρει το ηλεκτρικό εργαλείο. Όταν θέσετε το ηλεκτρικό εργαλείο σε λειτουργία και το εξάρτημα τρυπήματος είναι μπλοκαρισμένο δημιουργούνται υψηλές αντιδραστικές ροπές.

Ρύθμιση αριθμού στροφών/κρούσεων

Μπορείτε να ρυθμίσετε συνεχώς τον αριθμό στροφών/κρούσεων του ενεργοποιημένου ηλεκτρικού εργαλείου, ανάλογα με την πίεση που ασκείτε στον διακόπτη On/Off (7).

Ελαφριά πίεση του διακόπτη On/Off (7) έχει σαν αποτέλεσμα έναν χαμηλό αριθμό στροφών/κρούσεων. Ο αριθμός στροφών/κρούσεων αυξάνει με αύξηση της πίεσης του διακόπτη.

Προεπιλογή αριθμού στροφών/κρούσεων

Με τον τροχιακό ρύθμισης της προεπιλογής του αριθμού στροφών (6) μπορείτε να προεπιλέξετε τον απαιτούμενο αριθμό στροφών/κρούσεων επίσης και κατά τη διάρκεια της λειτουργίας.

λαστιχένιο δακτυλίδι K1 που έχει μικρό άνοιγμα και τον λαστιχένιο δακτυλίδι K2 με το μεγάλο άνοιγμα για τρύπες με μεγαλύτερη διάμετρο.

Για την αλλαγή του λαστιχένιου δακτυλιδιού (28) πιέστε το προς τα πίσω έξω από τον δακτύλιο συλλογής της σκόνης (15).

Για να τοποθετήσετε το λαστιχένιο δακτυλίδι θέστε το και πατήστε το δυνατά πάνω στον δακτύλιο συλλογής της σκόνης.

Για την αλλαγή του δακτυλίου συλλογής της σκόνης (15) πατήστε το κουμπί απασφάλισης (29) και αφαιρέστε τον δακτύλιο συλλογής της σκόνης από την αναρρόφηση της σκόνης.

Για την τοποθέτηση πιέστε τον δακτύλιο συλλογής της σκόνης (15) από επάνω μέσα στην αναρρόφηση της σκόνης (12), μέχρι να ασφαλίσει με τον χαρακτηριστικό ήχο.

Λειτουργία

Εκκίνηση

► Προσέξτε την τάση δικτύου! Τα στοιχεία της τάσης της πηγής ρεύματος πρέπει να ταυτίζονται με τα αντίστοιχα στοιχεία επάνω στην πινακίδα κατασκευαστή του ηλεκτρικού εργαλείου. Ηλεκτρικά εργαλεία με χαρακτηριστική τάση 230 V λειτουργούν και με τάση 220 V.

Ρύθμιση της φοράς περιστροφής (βλέπε εικόνα L - M)

► Πατήστε τον διακόπτη αλλαγής της φοράς περιστροφής (4) μόνο σε περίπτωση ακινητοποιημένου ηλεκτρικού εργαλείου.

Με τον διακόπτη αλλαγής φοράς περιστροφής (4) μπορείτε να αλλάξετε τη φορά περιστροφής του ηλεκτρικού εργαλείου. Με πατημένο τον διακόπτη On/Off (7) αυτό, όμως δεν είναι δυνατό.

Δεξιόστροφα: Για τρύπημα και βίδωμα βιδών σπρώξτε τον διακόπτη αλλαγής φοράς περιστροφής (4) στην αριστερή πλευρά προς τα κάτω και ταυτόχρονα στη δεξιά πλευρά προς τα επάνω.

Αριστερόστροφα: Για το λύσιμο ή το ξεβίδωμα βιδών και παξιμαδιών σπρώξτε τον διακόπτη αλλαγής φοράς περιστροφής (4) στην αριστερή πλευρά προς τα επάνω και ταυτόχρονα στη δεξιά πλευρά προς τα κάτω.

Ρύθμιση του τρόπου λειτουργίας

Τρύπημα και βίδωμα

Θέστε τον διακόπτη αλλαγής λειτουργίας (3) στο σύμβολο «Τρύπημα».

Τρύπημα με κρούση

Θέστε τον διακόπτη αλλαγής λειτουργίας (3) στο σύμβολο «Τρύπημα με κρούση».

Ο διακόπτης αλλαγής λειτουργίας (3) ασφαλίζει αισθητά και μπορεί να πατηθεί επίσης και με τον κινητήρα σε λειτουργία.

Μηχανική επιλογή ταχύτητας

► Μπορείτε να πατήσετε τον διακόπτη επιλογής ταχύτητας (2) με το ηλεκτρικό εργαλείο σε αργή λειτουργία. Αυτό όμως δεν πρέπει να γίνεται σε



Τηλ.: 210 5701258
 Φαξ: 210 5701283
 Email: pt@gr.bosch.com
 www.bosch.com
 www.bosch-pt.gr

Απόσυρση

Τα ηλεκτρικά εργαλεία, τα εξαρτήματα και οι συσκευασίες πρέπει να ανακυκλώνονται με τρόπο φιλικό προς το περιβάλλον.



Μην ρίχνετε τα ηλεκτρικά εργαλεία στα απορρίμματα του σπιτιού σας!


Μόνο για χώρες της ΕΕ:

Σύμφωνα με την Ευρωπαϊκή Οδηγία 2012/19/ΕΕ σχετικά με τις παλιές ηλεκτρικές και ηλεκτρονικές συσκευές και τη μεταφορά της οδηγίας αυτής σε εθνικό δίκαιο δεν είναι πλέον υποχρεωτικό, τα άχρηστα ηλεκτρικά εργαλεία να συλλέγονται ξεχωριστά για να ανακυκλωθούν με τρόπο φιλικό προς το περιβάλλον.

Türkçe

Güvenlik talimatı

Elektrikli el aletleri için genel güvenlik uyarıları

Bu elektrikli el aletleriyle birlikte  UYARI gelen tüm güvenlik uyarılarını, talimatları, resim ve açıklamaları okuyun. Aşağıda bulunan talimatlara uyulmaması halinde elektrik çarpmalarına, yangınlara ve/veya ağır yaralanmalara neden olabilir.

Bütün uyarıları ve talimat hükümlerini ileride kullanmak üzere saklayın.

Uyarı ve talimat hükümlerinde kullanılan "elektrikli el aleti" terimi, akım şebekesine bağlı (elektrikli) aletlerle akü ile çalışan aletleri (akülü) kapsamaktadır.

Çalışma yeri güvenliği

- ▶ **Çalıştığınız yeri temiz tutun ve iyi aydınlatın.** Dağınık veya karanlık alanlar kazalara davetiyeye çıkarır.
- ▶ **Yakınında patlayıcı maddeler, yanıcı sıvı, gaz veya tozların bulunduğu yerlerde elektrikli el aleti ile çalışmayın.** Elektrikli el aletleri, toz veya buharların tutuşmasına neden olabilecek kıvılcımlar çıkarırlar.
- ▶ **Elektrikli el aleti ile çalışırken çocukları ve etraftaki kişileri uzakta tutun.** Dikkatiniz dağılacak olursa aletin kontrolünü kaybedebilirsiniz.

Elektrik güvenliği

- ▶ **Elektrikli el aletinin fişi prize uymalıdır. Fişi hiçbir zaman değiştirmeyin. Korumalı (topraklanmış) elektrikli el aletleri ile birlikte adaptör fiş**

Ο απαραίτητος αριθμός στροφών/κρούσεων εξαρτάται από το υπό κατεργασία υλικό και τις συνθήκες εργασίας και μπορεί να εξακριβωθεί με πρακτική δοκιμή.

Υποδείξεις εργασίας

- ▶ **Βγάξτε το φως από την πρίζα πριν από οποιαδήποτε εργασία στο ηλεκτρικό εργαλείο.**

- ▶ **Τοποθετείτε το ηλεκτρικό εργαλείο μόνο απενεργοποιημένο πάνω στο παξιμάδι/στη βίδα.** Τα περιστρεφόμενα εξαρτήματα μπορεί να γλιστρήσουν.

Μετά από εργασία μεγαλύτερης χρονικής διάρκειας με μικρό αριθμό στροφών για να κρυώσει το ηλεκτρικό εργαλείο, πρέπει να το αφήσετε περίπου 3 λεπτά να λειτουργεί στον μέγιστο αριθμό στροφών χωρίς φορτίο.

Για να τρυπήσετε πλακίδια, θέστε τον διακόπτη αλλαγής λειτουργίας **(3)** στο σύμβολο «Τρύπημα». Μόλις ξετρυπήσετε το πλακίδιο, θέστε τον διακόπτη στο σύμβολο «Χτύπημα με κρούση» για να συνεχίσετε το τρύπημα με κρούση.

Για την εργασία σε μετόν, πέτρες και τοίχους χρησιμοποιήστε τρυπάνια από σκληρομέταλλο.

Κατά το τρύπημα σε μέταλλο χρησιμοποιείτε μόνο άψογα, τροχισμένα τρυπάνια HSS (HSS = υψηλής ισχύος χάλυβας γρήγορης κοπή). Το πρόγραμμα εξαρτημάτων **Bosch** εξασφαλίζει την αντίστοιχη ποιότητα.

Με τη συσκευή τροχίσματος τρυπανιών (εξάρτημα) μπορείτε να τροχίσετε ξεκούραστα τα ελικοειδή τρυπάνια με μια διάμετρο από 2,5-10 mm.

Συντήρηση και σέρβις

Συντήρηση και καθαρισμός

- ▶ **Βγάξτε το φως από την πρίζα πριν από οποιαδήποτε εργασία στο ηλεκτρικό εργαλείο.**
- ▶ **Να διατηρείτε το ηλεκτρικό εργαλείο και τις σχισμές αερισμού πάντοτε σε καθαρή κατάσταση για να μπορείτε να εργάζεστε καλά και με ασφάλεια.**

Μια τυχόν αναγκαία αντικατάσταση του ηλεκτρικού καλωδίου πρέπει να διεξαχθεί από τη **Bosch** ή από ένα εξουσιοδοτημένο κέντρο σέρβις για ηλεκτρικά εργαλεία της **Bosch**, για να αποφευχθεί έτσι κάθε κίνδυνος της ασφάλειας.

Εξυπηρέτηση πελατών και συμβουλές εφαρμογής

Η υπηρεσία εξυπηρέτησης πελατών απαντά στις ερωτήσεις σας σχετικά με την επισκευή και τη συντήρηση του προϊόντος σας καθώς και για τα αντίστοιχα ανταλλακτικά. Σχέδια συναρμολόγησης και πληροφορίες για τα ανταλλακτικά θα βρείτε επίσης κάτω από: www.bosch-pt.com
 Η ομάδα παροχής συμβουλών της Bosch απαντά ευχαρίστως τις ερωτήσεις σας για τα προϊόντα μας και τα εξαρτήματά τους. Δώστε σε όλες τις ερωτήσεις και παραγγελίες ανταλλακτικών οπωσδήποτε το 10ψήφιο κωδικό αριθμό σύμφωνα με την πινακίδα τύπου του προϊόντος.

Ελλάδα

Robert Bosch A.E.
 Ερχείας 37
 19400 Κορωπί – Αθήνα

- **Toz emme donanımı veya toz tutma tertibatı kullanırken, bunların bağlı olduğundan ve doğru kullanıldığından emin olun.** Toz emme donanımının kullanımı tozdan kaynaklanabilecek tehlikeleri azaltır.
- **Aletleri sık kullanmanız sebebiyle onlara alışmış olmanız, güvenlik prensiplerine uymanızı önlememelidir.** Dikkatsiz bir hareket, bir anda ciddi yaralanmalara yol açabilir.

Elektrikli el aletlerinin kullanımı ve bakımı

- **Elektrikli el aletini aşırı ölçüde zorlamayın. Yaptığınız işe uygun elektrikli el aletleri kullanın.** Uygun performanslı elektrikli el aleti ile, belirlenen çalışma alanında daha iyi ve güvenli çalışırsınız.
- **Şalteri bozuk olan elektrikli el aletini kullanmayın.** Açılıp kapanamayan bir elektrikli el aleti tehlikelidir ve onarılmalıdır.
- **Elektrikli el aletinde bir ayarlama işlemine başlamadan, herhangi bir aksesuarı değiştirirken veya elektrikli el aletini elinizden bırakırken fişi güç kaynağından çekin veya aküyü çıkarın.** Bu önlem, elektrikli el aletinin yanlışlıkla çalışmasını önler.
- **Kullanım dışı duran elektrikli el aletlerini çocukların ulaşamayacağı bir yerde saklayın. Aleti kullanmayı bilmeyen veya bu kullanım kılavuzunu okumayan kişilerin aletle çalışmasına izin vermeyin.** Deneyimsiz kişiler tarafından kullanıldığında elektrikli el aletleri tehlikelidir.
- **Elektrikli el aletinizin ve aksesuarlarının bakımını özenle yapın. Elektrikli el aletinizin kusursuz olarak çalışmasını engelleyebilecek bir durumun olup olmadığını, hareketli parçaların kusursuz olarak işlev gördüğünü görmediklerini ve sıkışıp sıkışmadıklarını, parçaların hasarlı olup olmadığını kontrol edin. Elektrikli el aletini kullanmaya başlamadan önce hasarlı parçaları onartın.** Birçok iş kazası elektrikli el aletlerine yeterli bakım yapılmamasından kaynaklanır.
- **Kesici uçları daima keskin ve temiz tutun.** Özenle bakımı yapılmış keskin kenarlı kesme uçlarının malzeme içinde sıkışma tehlikesi daha azdır ve daha rahat kullanım olanağı sağlarlar.
- **Elektrikli el aletini, aksesuarı, uçları ve benzerlerini, bu özel tip alet için öngörülen talimata göre kullanın. Bu sırada çalışma koşullarını ve yaptığınız işi dikkate alın.** Elektrikli el aletlerinin kendileri için öngörülen alanın dışında kullanılması tehlikeli durumlara neden olabilir.
- **Tutamak ve kavrama yüzeylerini kuru, yağsız ve temiz tutun.** Kaygan tutamak ve kavrama yüzeyleri, aletin beklenmeyen durumlarda güvenli şekilde tutulmasını ve kontrol edilmesini engeller.

Servis

- **Elektrikli el aletinizi sadece yetkili personele ve orijinal yedek parça kullanma koşulu ile onartın.** Bu sayede elektrikli el aletinin güvenliğini sürekli hale getirirsiniz.

kullanmayın. Değiştirilmemiş fiş ve uygun priz elektrik çarpması tehlikesini azaltır.

- **Borular, kalorifer petekleri, ısıtıcılar ve buzdolapları gibi topraklanmış yüzeylerle vücudunuzun temas etmesinden kaçının.** Vücudunuz topraklandığı anda büyük bir elektrik çarpması tehlikesi ortaya çıkar.
- **Elektrikli el aletlerini yağmur altında veya nemli ortamlarda bırakmayın.** Suyun elektrikli el aleti içine sızması elektrik çarpması tehlikesini artırır.
- **Kabloya zarar vermeyin. Elektrikli el aletini kablodan tutarak taşımayın, kabloyu kullanarak çekmeyin veya kablodan çekerek fişi çıkarmayın. Kabloyu ateş, yanıcı ve/veya keskin ve hareket eden maddelerden uzak tutun.** Hasarlı veya dolaşmış kablo elektrik çarpması tehlikesini artırır.
- **Bir elektrikli el aleti ile açık havada çalışırken mutlaka açık havada kullanılmaya uygun uzatma kablosu kullanın.** Açık havada kullanılmaya uygun uzatma kablosunun kullanılması elektrik çarpması tehlikesini azaltır.
- **Elektrikli el aletinin nemli ortamlarda çalıştırılması şartsa mutlaka kaçak akım koruma rölesi kullanın.** Kaçak akım koruma rölesi şalterinin kullanımı elektrik çarpması tehlikesini azaltır.

Kişilerin Güvenliği

- **Dikkatli olun, ne yaptığınıza dikkat edin, elektrikli el aleti ile işinizi makul bir tempo ve yöntemle yürütün.** Yorgunsanız, kullandığınız hapların, ilaçların veya alkolün etkisinde iseniz elektrikli el aletini kullanmayın. Elektrikli el aletini kullanırken bir anki dikkatsizlik önemli yaralanmalara neden olabilir.
- **Daima kişisel koruyucu donanım kullanın. Daima koruyucu gözlük kullanın.** Elektrikli el aletinin türü ve kullanımına uygun olarak; toz maskesi, kaymayan iş ayakkabıları, koruyucu kask veya koruyucu kulaklık gibi koruyucu donanım kullanımı yaralanma tehlikesini azaltır.
- **Aleti yanlışlıkla çalıştırmaktan kaçının. Güç kaynağına ve/veya aküye bağlamadan, elinize alıp taşımadan önce elektrikli el aletinin kapalı olduğundan emin olun.** Elektrikli el aletini parmağınız şalter üzerinde dururken taşırsanız ve elektrikli el aleti açıkken fişi prize sokarsanız kazalara neden olabilirsiniz.
- **Elektrikli el aletini çalıştırmadan önce ayar aletlerini veya anahtarları aletten çıkarın.** Elektrikli el aletinin dönen parçaları içinde bulunabilecek bir yardımcı alet yaralanmalara neden olabilir.
- **Çalışırken vücudunuz anormal durumda olmasın. Çalışırken duruşunuz güvenli olsun ve dengeyi her zaman koruyun.** Bu sayede elektrikli el aletini beklenmedik durumlarda daha iyi kontrol edebilirsiniz.
- **Uygun iş elbiseleri giyin. Geniş giysiler giymeyin ve takı takmayın. Saçlarınızı ve giysilerinizi aletin hareketli parçalarından uzak tutun.** Bol giysiler, uzun saçlar veya takılar aletin hareketli parçaları tarafından tutulabilir.

Ürün ve performans açıklaması

Bütün güvenlik talimatını ve uyarıları

okuyun. Güvenlik talimatlarına ve uyarılara uyulmadığı takdirde elektrik çarpmasına, yangına ve/veya ciddi yaralanmalara neden olunabilir.

Lütfen kullanma kılavuzunun ön kısmındaki resimlere dikkat edin.



Usulüne uygun kullanım

Bu elektrikli el aleti, tuğla, beton ve taş malzemeyi darbeli delme ve ahşap, metal, seramik ve plastiği delme işleri için tasarlanmıştır. Elektronik regülasyonlu ve sağ/sol dönüşlü elektrikli el aletleri vidalama ve dış açma için uygundur.

Şekli gösterilen elemanlar

Şekli gösterilen elemanların numaraları grafik sayfasındaki elektrikli el aleti resmindeki numaralarla aynıdır.

- (1) Anahtarsız mandren
- (2) Vites seçme şalteri
- (3) "Delme/darbeli delme" şalteri
- (4) Dönme yönü değiştirme şalteri
- (5) Açma/kapama şalteri sabitleme tuşu
- (6) Hız ön seçimi ayarlama düğmesi
- (7) Açma/kapama şalteri
- (8) Toz emme tertibatı boşa alma düğmesi
- (9) Toz torbası komple (mikro filtre sistemi)
- (10) İlave tutamak (izolasyonlu tutma yüzeyi)^{A)}
- (11) Teleskop kılavuz ayar düğmesi
- (12) Toz emme tertibatı
- (13) Teleskop kılavuz
- (14) Derinlik mesnedi ayarı için tuş
- (15) Matkap ucu için toz tutma halkası
- (16) Tutamak (izolasyonlu tutamak yüzeyi)
- (17) Derinlik mesnedi^{A)}
- (18) Vidalama ucu^{A)}
- (19) Çok amaçlı vidalama ucu adaptörü^{A)}
- (20) Mandren anahtarı^{A)}
- (21) Anahtarlı mandren^{A)}
- (22) İç altıgen anahtar^{B)}
- (23) Toz emme tertibatı kılavuz oluğu
- (24) Filtre elemanı (mikro filtre sistemi)
- (25) Toz torbası boşa alma düğmesi
- (26) Toz torbası klapesi
- (27) Derinlik mesnedi (toz emme tertibatı)^{A)}
- (28) Toz tutma halkası lastik halkası

Matkaplar için Güvenlik Uyarıları

Tüm işlemler için geçerli güvenlik talimatları

- ▶ **Darbeli delme yaparken kulak koruması takın.** Gürültüye maruz kalınması işitme kaybına neden olabilir.
- ▶ **Ek tutamağın/tutamakların kullanımı.** Kontrol kaybı fiziksel yaralanmalara neden olabilir.
- ▶ **Bir çalışma sırasında kesme aksesuarının veya tespit elemanlarının gizli bir kablo sistemi veya kendi kablosuyla temas etme ihtimali varsa elektrikli el aletini izolasyonlu tutamak yüzeylerinden tutun.** Kesme aksesuarının veya tespit elemanlarının "içinden elektrik geçen" bir kabloyla temas etmesi durumunda elektrikli el aletinin metal parçaları "elektriğe" maruz kalabilir ve operatöre elektrik çarpmasına neden olabilir.

Uzun matkap uçları kullanırken geçerli güvenlik talimatları

- ▶ **Asla matkap ucunda belirlenmiş olan maksimum hız değerinden daha yüksek hızda çalışmayın.** Daha yüksek hızlarda, matkap ucunun iş parçasına temas etmeden serbestçe dönmesi, ucun eğilmesine neden olabilir ve fiziksel yaralanmalarla sonuçlanabilir.
- ▶ **Her zaman matkap ucu iş parçasına temas ederken ve düşük hızda delmeye başlayın.** Daha yüksek hızlarda, matkap ucunun iş parçasına temas etmeden serbestçe dönmesi, ucun eğilmesine neden olabilir ve fiziksel yaralanmalarla sonuçlanabilir.
- ▶ **Uçla, fazla olmamak şartıyla, sadece bir hizaya baskı uygulayın.** Uçlar eğilerek kırılmalara veya kontrol kaybına, fiziksel yaralanmalara neden olabilir.

Ek güvenlik talimatı

- ▶ **Uç bloke olursa elektrikli el aletini hemen kapatın. Geri tepme kuvveti oluşturabilecek yüksek reaksiyon momentlerine hazırlıklı olun.** Elektrikli el aleti aşırı ölçüde zorlanırsa veya uç işlenen malzeme içinde takılırsa uç bloke olur.
- ▶ **Elektrikli el aletini sıkıca tutun.** Vidalar sıkılır ve gevşetilirken kısa süreli yüksek reaksiyon momentleri ortaya çıkabilir.
- ▶ **İş parçasını emniyete alın.** Bir germe tertibatı veya mengene ile sabitlenen iş parçası elle tutmaya oranla daha güvenli tutulur.
- ▶ **Görünmeyen ikmal hatlarını belirlemek için uygun tarama cihazları kullanın veya yerel tedarik şirketi ile iletişime geçin.** Elektrik kablolarıyla temas yanıklara ve elektrik çarpmasına neden olabilir. Bir gaz borusuna hasar vermek patlamaya neden olabilir. Su borularının hasar görmesi maddi zararlara veya elektrik çarpmasına neden olabilir.
- ▶ **Elinizden bırakmadan önce elektrikli el aletinin tam olarak durmasını bekleyin.** Uç takılabilir ve elektrikli el aletinin kontrolünü kaybedebilirsiniz.

Gürültü/Titreşim bilgisi

Gürültü emisyon değerleri **EN 62841-2-1** uyarınca belirlenmektedir.

Elektrikli el aletinin A ağırlıklı gürültü seviyesi tipik olarak: Ses basıncı seviyesi **95 dB(A)**; ses gücü seviyesi **106 dB(A)**. Tolerans **K = 5 dB**.

Kulak koruması kullanın!

Toplam titreşim değerleri a_h (üç yönün vektör toplamı) ve tolerans **K EN 62841-2-1** uyarınca belirlenmektedir.

Metalde delme: $a_h = 3,0 \text{ m/sn}^2$, $K = 1,5 \text{ m/sn}^2$.

Betonda darbeli delme: $a_h = 15 \text{ m/sn}^2$, $K = 2,0 \text{ m/sn}^2$.

Vidalama: $a_h < 2,5 \text{ m/sn}^2$, $K = 1,5 \text{ m/sn}^2$.

Dış açma: $a_h < 2,5 \text{ m/sn}^2$, $K = 1,5 \text{ m/sn}^2$.

Bu talimatta belirtilen titreşim seviyesi ve gürültü emisyon değeri standartlaştırılmış ölçme yöntemine göre belirlenmiştir ve elektrikli el aletlerinin birbirleri ile kıyaslanmasında kullanılabilir. Bu değerler aynı zamanda titreşim ve gürültü emisyonunun geçici olarak tahmin edilmesine de uygundur.

Belirtilen titreşim seviyesi ve gürültü emisyon değeri elektrikli el aletinin esas kullanımını temsil etmektedir. Ancak elektrikli el aleti farkı uçlar veya yetersiz bakımla kullanılacak olursa, titreşim seviyesi ve gürültü emisyonu farklılık gösterebilir. Bu da titreşim ve gürültü emisyonunu bütün kullanım süresince önemli ölçüde artırabilir.

Titreşim ve gürültü emisyonunun tam olarak tahmin edilebilmesi için, aletin kapalı olduğu veya açık fakat kullanımda olmadığı sürelerin de dikkate alınması gerekir. Bu, titreşim ve gürültü emisyonunu bütün çalışma süresinde önemli ölçüde düşürebilir.

Titreşimin kullanıcıya bindirdiği yük için önceden ek güvenlik önlemleri alın. Örneğin: Elektrikli el aletinin ve uçların bakımı, ellerin sıcak tutulması, iş aşamalarının organize edilmesi.

Montaj

- Elektrikli el aletinin kendinde bir çalışma yapmadan önce her defasında fişi prizden çekin.

İlave tutamak

- Elektrikli el aletinizi sadece ilave tutamakla kullanın (10).

Güvenle ve yorulmadan çalışabilmek için ilave tutamağı (10) 12 pozisyona ayarlayabilirsiniz.

İlave tutamağın alt tutamak parçasını (10) ① yönüne itin ve ilave tutamağı (10) istediğiniz pozisyona getirene kadar öne itin. Sonra ilave tutamağı (10) tekrar geri çekin ve alt tutamak parçasını ② yönüne tekrar sıkın.

Delme derinliğinin ayarlanması (bkz. Resim A)

Derinlik mesnedi (27) ile istenen delme derinliği **X** belirlenebilir.

İlave tutamağın alt tutamak parçasını (10) saat yönünün tersine döndürün ve derinlik mesnedini (17) yerleştirin.

(29) Toz tutma halkası boşa alma düğmesi

- A) Şekli gösterilen veya tanımlanan aksesuar standart teslimat kapsamında değildir. Aksesuarın tümünü aksesuar programımızda bulabilirsiniz.
- B) Piyasada bulunur (teslimat kapsamında değildir)

Teknik veriler

Darbeli matkap	GSB 19-2 REA	
Malzeme numarası	3 601 A7C 5..	
Giriş gücü	W	900
maks. çıkış gücü	W	455
Boştaki devir sayısı		
- 1. Vites	dev/dak	0-1000
- 2. Vites	dev/dak	0-3000
Nominal devir sayısı		
- 1. Vites	dev/dak	770
- 2. Vites	dev/dak	1990
Rölantide darbe sayısı	min ⁻¹	51 000
Nominal tork momenti		
- 1. Vites	Nm	5,7
- 2. Vites	Nm	2,2
Hız ön seçimi		●
Sağ/sol dönüş		●
Anahtarlı mandren		-
Anahtarsız mandren		●
Tam otomatik mil kilidi (Auto-Lock)		●
Mil halkası çapı	mm	43
maks. delme çapı (1./2. vites)		
- Betonda	mm	18/13
- Duvarda	mm	20/15
- Çelikte	mm	13/8
- Ahşapta	mm	40/25
Mandrenin sıkma aralığı	mm	1,5-13
Emme performansı	l/dak	460
Toz torbası kapasitesi (yatay delmede)		
- Delikler 6 x 30mm	Adet	130
- Delikler 8 x 30mm	Adet	75
- Delikler 10x30mm	Adet	45
Ağırlık		
EPTA-Procedure 01:2014 uyarınca		
- Emme donanımı ile	kg	3,2
- Emme donanımı olmadan	kg	2,6
Koruma sınıfı		□ / II

Veriler 230 V'luk bir anma gerilimi [U] için geçerlidir. Farklı gerilimlerde ve farklı ülkelere özgü tiplerde bu veriler değişebilir.

Mandrenin takılması (bkz. Resim E)

Anahtarsız/anahtarlı mandrenin montajı işlem adımlarının ters sıra ile uygulanması ile olur.



Mandren yakl. 50–55 Nm torkla sıkılmalıdır.

- **Mandrenin montajından sonra çelik çiviye delikten çıkarın.**

Toz emme tertibatı/toz haznesi

Kurşun içeren boyalar, bazı ahşap türleri, mineraller ve metaller gibi maddeler işlenirken ortaya çıkan toz sağlığa zararlı olabilir. Bu tozlara temas etmek veya bu tozları solumak alerjik reaksiyonlara ve/veya kullanıcının veya onun yakınındaki kişilerin nefes alma yollarındaki hastalıklara neden olabilir.

Kayın veya meşe gibi bazı ağaç tozları kanserojen etkiye sahiptir, özellikle de ahşap işleme sanayiinde kullanılan katkı maddeleri (kromat, ahşap koruyucu maddeler) ile birlikte. Asbest içeren malzemeler sadece uzmanlar tarafından işlenmelidir.

- Mümkün olduğu kadar işlediğiniz malzemeye uygun bir toz emme tertibatı kullanın.
- Çalışma yerinizi iyi bir biçimde havalandırın.
- P2 filtre sınıfı filtre takılı soluk alma maskesi kullanmanızı tavsiye ederiz.

İşlenen malzemelere ait ülkenizdeki geçerli yönetmelik hükümlerine uyun.

- **Emme donanımını sadece beton, tuğla ve duvar taşlarını işlerken kullanın.** Ahşap ve plastik talaşları kolayca tıkanmalara neden olabilir.
- **Dikkat yangın tehlikesi! Emme donanımı takılı iken metal malzemeyi işlemeyin.** Kızgın metal talaşları toz haznesinin parçalarını tutuşturabilir.
- **Çalıştığınız yerde toz birikmemesine dikkat edin.** Tozlar kolayca alevlenebilir.

Uyarı: Vidalama ve dış açma işlerinde toz emme tertibatını (12) kullanmayın.

Toz emme tertibatı (12) çalışma esnasında geriye doğru yaylanır ve bu sayede toz tutma halkası daima zemine sıkı sıkıya bastırılır. Toz emme tertibatı elektrikli el aleti ile birlikte otomatik olarak açılır ve kapanır.

Optimum emme performansı elde edebilmek için lütfen aşağıdaki uyarılara uyun:

- Kullanılan uç toz tutma halkası (15) üzerinde çıkıntı yapmamalıdır.
- Emme donanımının iş parçasına veya duvara tam olarak dayanmasına dikkat edin. Bu sayede dik açılı delme işlemleri de kolaylaşır.
- Emme donanımı kullanırken daima en yüksek devir sayısı ile çalışın.
- İsteddiğiniz delme derinliğine ulaştıktan sonra önce matkap ucunu delikten çekin sonra darbeli matkabi kapatın.

Derinlik mesnedini, matkap ucunun ucuyla derinlik mesnedinin ucu arasındaki mesafe, istenen delme derinliğine X gelene kadar dışarı çekin.

Sonra ilave tutamağın alt tutamak parçasını (10) saat yönünde tekrar döndürün.

Derinlik mesnedinin (17) oluklu tarafı yukarıyı göstermelidir.

Uç değiştirme

- **Uç değiştirirken koruyucu iş eldiveni kullanın.**

Mandren, uzun çalışma sürelerinde ısınabilir.

Anahtarsız mandren (Bkz.: Resim B)

Açma/kapama şalteri (7) basılı değilken mil boynu kilitlidir. Bu, mandren ucunun hızlı, rahat ve kullanımı kolay değiştirilmesini sağlar.

Anahtarsız mandreni (1) alet yerleştirilene kadar ❶ yönüne döndürün. Aleti takın.

Anahtarsız mandrenin (1) kovanını elinizle, boşa dönme duyulmayana kadar ❷ yönüne döndürün. Bu durumda mandren otomatik olarak kilitlenir.

Aleti çıkarmak üzere kovana karşı yöne çevirirseniz kilit açılır.

Anahtarlı mandren (bkz. Resim C)

Anahtarlı mandreni (21), alet tekrar yerleştirilene kadar döndürerek açın. Aleti takın.

Mandren anahtarını (20) anahtarlı mandrenin (21) ilgili deliklerine takın ve ucu her taraftan eşit ölçüde sıkın.

Vidalama uçları

Vidalama ucu (18) kullanırken, her zaman bir çok amaçlı vidalama ucu adaptörü (19) kullanın. Sadece vida başına uygun vidalama ucu kullanın.

Vidalama için "Delme/darbeli delme" şalterini (3) her zaman "Delme" şalterine ayarlayın.

Mandrenin değiştirilmesi

- **Elektrikli el aletin kendinde bir çalışma yapmadan önce her defasında fişi prizden çekin.**

Mandrenin sökülmesi (bkz. Resim D)

İlave tutamağı sökün ve vites seçme şalterini (2) 1. ile 2. vites arasında ayarlayın.

Mil boynunu kilitlemek için yakl. 50 mm uzunluğunda 4 mm çapında bir çelik çivi mil boynundaki deliğe yerleştirin.

Kısa şaftı öne gelecek biçimde bir iç altıgen anahtar (22) anahtarsız mandrene (1) takın.

Elektrikli el aletini sağlam bir zemine, örneğin bir tezgah üzerine yatırın. Elektrikli el aletini sıkı tutun ve anahtarsız mandreni (1) iç altıgen anahtar (22) ❶ yönüne döndürerek sökün. Sıkı oturan anahtarsız mandren iç altıgen anahtarın (22) uzun şaftına hafif vurulmasıyla serbest kalır. İç altıgen anahtar anahtarsız mandrenden çıkarın ve anahtarsız mandreni çevirerek tam olarak sökün.

Anahtarlı mandrenli elektrikli el aletlerinde sökme işlemi yukarıda belirtildiği gibi yapılır.

Anahtarsız mandrenli elektrikli el aletlerinde mandren üzerine iç altıgen anahtar (22) yerine bir çatal anahtar (anahtar genişliği 19 mm) yerleştirilebilir.

Toz emme tertibatının uç uzunluğuna ayarlanması (bkz. J)

Kısa uçlarla rahat çalışabilmek için toz emme tertibatının (12) uzunluğu ayarlanabilir.

Düğmeye (11) basın ve teleskop kılavuzu (13) düğme basılı durumda iken toz tutma halkası ucun sonuna gelecek biçimde toz emme tertibatı (12) içine itin.

Teleskop kılavuzu tekrar çıkarmak için düğmeye (11) yeniden basın.

Matkap ucu için toz tutma halkası (bkz. Resim K)

Matkap uçlarına ait toz tutma halkası (15) iki farklı büyüklükteki lastik halkalarla (28) donatılabilir. 12 mm çapa kadar olan delikler için küçük delikli K1 lastik halkayı, daha büyük çaplı delikler için de büyük delikli K2 lastik halkayı kullanın.

Lastik halkayı (28) değiştirmek için arkaya bastırın ve toz tutma halkasından (15) çıkarın. Lastik halkayı takmak için toz tutma halkası üzerine yerleştirin ve sıkıca bastırın.

Toz tutma halkasını (15) değiştirmek için boşa alma düğmesine (29) basın ve toz tutma halkasını toz emme tertibatından çekerek çıkarın.

Takmak için toz tutma halkasını (15) yukarıdan toz emme tertibatına (12) duyulur biçimde kavrama yapıcaya kadar bastırın.

İşletim

Çalıştırma

- **Şebeke gerilimine dikkat edin! Akım kaynağının gerilimi elektrikli el aletinin tip etiketinde belirtilen gerilimle aynı olmalıdır. 230V ile işaretlenmiş elektrikli el aletleri 220V ile de çalıştırılabilir.**

Enerjiden tasarruf etmek için elektrikli el aletini sadece kullandığınızda açın.

Dönme yönünün ayarlanması (Bakınız: Resim L - M)

- **Dönme yönü değiştirme şalterini (4) sadece elektrikli el aleti dururken kullanın.**

Dönme yönü değiştirme şalteri (4) ile elektrikli el aletinin dönme yönünü değiştirebilirsiniz. Ancak açma/kapama şalteri (7) basılı durumda ise bu mümkün değildir.

Sağa dönüş: Delmek ve vidaları takmak için dönme yönü değiştirme şalterini (4) sol tarafından aşağı itin ve aynı anda sağ tarafından yukarı itin.

Sola dönüş: Vida ve somunları gevşetmek veya sökmek için dönme yönü değiştirme şalterini (4) sol tarafından yukarı itin ve aynı anda sağ tarafından aşağı itin.

İşletme türünün ayarlanması

Delme ve Vidalama

Şalteri (3) "Delme" sembolüne ayarlayın.

Darbeli delme

Şalteri (3) "Darbeli delme" sembolüne ayarlayın.



- Filtre elemanının (24) durumu düzenli aralıklarla kontrol edilmelidir. Filtre elemanının hasarlanması halinde derhal değiştirilmelidir.

Toz emme tertibatının çıkarılması/yerleştirilmesi (bkz. Resim F)

Toz emme tertibatını çıkarmak için boşa alma düğmesine (8) basın ve toz emme tertibatını öne doğru çekerek çıkarın. Gerekliyorsa ilave tutamağı (10) yana hareket ettirin.

Toz emme tertibatını (12) takmak için bu tertibatı duyulur biçimde kavrama yapıcaya kadar kılavuz oluklarla (23) elektrikli el aleti kovanına sürün.

Toz torbali alete entegre toz emme (bkz: Resim X) G)

Toz torbasının (9) doluluk seviyesi saydam klape (26) yardımı ile kontrol edilebilir.

Toz torbasını zamanında boşaltın, aksi takdirde emme performansı düşer.

Toz torbasını (9) çıkarmak için her iki boşa alma düğmesine (25) basın ve toz torbasını aşağı doğru çekerek toz emme tertibatından (12) çıkarın.

Toz torbası (9) açmadan önce filtre elemanındaki (24) tozu çıkarmak için hafifçe sağlam bir zemine vurmanız gerekir.

Alt taraftaki klapeyi (26) açın ve toz torbasını boşaltın.

Filtre elemanında (24) hasar olup olmadığını kontrol edin. Hasar tespit ederseniz filtre elemanını hemen değiştirin.

Klapeyi (26) kapatın ve toz torbasını tekrar alt taraftan toz emme tertibatı 13'e duyulur biçimde kavrama yapıcaya kadar itin.

Filtre elemanının değiştirilmesi (bkz. Resim H)

Filtreleme performansını muhafaza edebilmek için toz torbasındaki (9) filtre elemanı (24) yakl. 15 işletim saatinden sonra değiştirilmelidir.

Toz torbasını (9) çıkarmak için her iki boşa alma düğmesine (25) basın ve toz torbasını aşağı doğru çekerek toz emme tertibatından (12) çıkarın.

Filtre elemanını (24) yukarıdan alın ve yerine yeni bir filtre elemanı yerleştirin.

Toz torbasını tekrar aşağıdan toz emme tertibatına (12) duyulur biçimde kavrama yapıcaya kadar itin.

Uyarı: Hasar görecektse olursa filtre elemanını (24) hemen değiştirin (ör. delik oluşumu ya da yumuşak sızdırmazlık maddesinde hasar durumunda). Hasarlı filtre elemanı ile çalışırsanız elektrikli el aleti zarar görebilir. Filtre elemanını (24) toz torbası (9) boşaltıldıktan sonra emme performansı yetersiz olunca da değiştirin.

Delme derinliğinin ayarlanması (Bakınız: Resim I)

Derinlik mesnedi (27) ile istenen delme derinliği X belirlenebilir.

Mandrene bir matkap ucu takın ve matkap ucu gerin, bkz. Uç değiştirme bölümü. Elektrikli el aletini açmadan matkap ucu yüzeye oturuncaya kadar delinecek yüzeye sıkıca bastırın.

Derinlik mesnedi ayar düğmesine (14) basın ve derinlik mesnedini (27) şekilde gösterilen istediğiniz mesafe olan X'e erişinceye kadar itin.

► **Elektrikli el aletini sadece kapalı durumda somunlara/vidalara yerleştirin.** Dönmekte olan uçlar kayabilir.

Düşük devir sayısı ile uzun süre çalıştıktan sonra, soğumasını sağlamak üzere elektrikli el aletini yaklaşık 3 dakika boşta maksimum devir sayısı ile çalıştırmanız gerekir.

Fayanları delmek için şalteri (3) "Delme" sembolüne ayarlayın. Fayanları deldikten sonra şalteri "Darbeli delme" sembolüne ayarlayın ve darbeli çalışın.

Beton, taş malzeme ve duvarda çalışırken sert metal delici kullanın.

Metalde delme yaparken sadece hasarsız, bilenmiş HSS matkap uçlarını kullanın (HSS=Yüksek performanslı hızlı kesme çeliği). İlgili kalite, **Bosch** Aksesuar Programı tarafından garantilidir.

Matkap ucu bileyicisiyle (aksesuar) 2,5–10 mm çapındaki spiral matkap uçlarını zahmetsizce bileyebilirsiniz.

Bakım ve servis

Bakım ve temizlik

- **Elektrikli el aletinin kendinde bir çalışma yapmadan önce her defasında fişi prizden çekin.**
- **İyi ve güvenli çalışabilmek için elektrikli el aletini ve havalandırma aralıklarını temiz tutun.**

Bağlantı kablosunun değiştirilmesi gerekli ise, güvenlik nedenlerinden dolayı bu tertibat **Bosch**'den veya **Bosch** elektrikli el aletleri yetkili servisinden temin edilmelidir.

Müşteri servisi ve uygulama danışmanlığı

Müşteri servisleri ürününüzün onarım ve bakımı ile yedek parçalarına ait sorularınızı yanıtlandırır. Tehlike işaretlerini ve yedek parçalara ait bilgileri şu sayfada da bulabilirsiniz: www.bosch-pt.com

Bosch uygulama danışma ekibi ürünlerimiz ve aksesuarları hakkındaki sorularınızda sizlere memnuniyetle yardımcı olur. Bütün başvuru ve yedek parça siparişlerinizde ürünün tip etiketi üzerindeki 10 haneli malzeme numarasını mutlaka belirtin.

Sadece Türkiye için geçerlidir: Bosch genel olarak yedek parçaları 7 yıl hazır tutar.

Türkçe

Bosch Sanayi ve Ticaret A.Ş.

Elektrikli El Aletleri

Aydınevler Mah. İnönü Cad. No: 20

Küçükyalı Ofis Park A Blok

34854 Maltepe-İstanbul

Tel.: 444 80 10

Fax: +90 216 432 00 82

E-mail: iletisim@bosch.com.tr

www.bosch.com.tr

Bulsan Elektrik

İstanbul Cad. Devrez Sok. İstanbul Çarşısı

No: 48/29 İskitler

Ankara

Tel.: +90 312 3415142

Tel.: +90 312 3410302

Şalter (3) hissedilir biçimde yerleşir ve motor çalışırken de çalıştırılabilir.

Mekanik vites seçimi

- **Vites seçimi şalterini (2) yavaş çalışan elektrikli el aletlerinde çalıştırabilirsiniz. Yine de bu işlem dururken, tam yükte veya maksimum devir sayısında gerçekleştirilmemelidir.**

Vites seçme şalteri (2) ile 2 devir sayısı aralığı önceden seçilerek ayarlanabilir.

Vites I:

Düşük devir sayısı aralığı; vidalama veya büyük delme çapları ile çalışmak için.



Vites II:

Yüksek devir sayısı aralığı; küçük delme çapları ile çalışmak için.



Vites seçme şalteri (2) sonuna kadar hareket ettirilemiyorsa tahrik milini matkap ucuyla biraz çevirin.

Açma/kapama

Elektrikli el aletini **çalıştırmak** için açma/kapama şalterine (7) basın ve şalteri basılı tutun.

Basılı açma/kapama şalterini **sabitlemek (7)** için sabitleme tuşuna (5) basın.

Elektrikli el aletini **kapatmak** için açma/kapama şalterini (7) bırakın veya sabitleme tuşu (5) ile kilitlenmişse, açma/kapama şalterine (7) kısa süre basın ve bırakın.

Aşırı yük debriyajı

Yüksek reaksiyon momentlerini sınırlandırmak için, elektrikli el aleti bir aşırı yük debriyajı (Anti-Rotation) ile donatılmıştır.



- **Uç takılır veya sıkışırsa, mil boynunun tahriki kesilir. Ortaya çıkan kuvvetler nedeniyle elektrikli el aletini her zaman iki elinizle sabit bir konumda tutun.**
- **Elektrikli el aleti bloke olursa elektrikli el aletini kapatın ve ucu çıkarın. Uç bloke durumda iken alet açılacak olursa yüksek reaksiyon momentleri ortaya çıkar.**

Devir sayısı/darbe sayısının ayarlanması

Çalışmakta olan elektrikli el aletinin devir sayısını/darbe sayısını açma/kapama şalterine (7) bastığınız ölçüde kademesiz olarak ayarlayabilirsiniz.

Açma/kapama şalterine (7) hafifçe bastırma düşük devir sayısına/darbe sayısına neden olur. Batırma kuvveti artınca devir sayısı/darbe sayısı da yükselir.

Devir sayısı/darbe sayısının ön seçimi

Devir sayısı ön seçim ayarlama düğmesi (6) ile çalışma esnasında da gerekli titreşim sayısını önceden seçerek ayarlayabilirsiniz.

Gerekli devir sayısı/darbe sayısı malzemeye ve çalışma koşullarına bağlı olup, pratik deneyle belirlenebilir.

Çalışırken dikkat edilecek hususlar

- **Elektrikli el aletinin kendinde bir çalışma yapmadan önce her defasında fişi prizden çekin.**

Fax: +90 362 2289090
 E-mail: bpsasalbobinaj@hotmail.com
 Üstündağ Elektrikli Aletler
 Nusretiye Mah. Boyacılar Aralığı No: 9
 Tekirdağ
 Tel.: +90 282 6512884
 Fax: +90 282 6521966
 E-mail: info@ustundagsogutma.com
 Marmara Elektrik
 Tersane cd. Zencefil Sok.No:6 Karaköy
 İstanbul
 Tel.: +90 212 2974320
 Fax: +90 212 2507200
 E-mail: info@marmarabps.com
 Bağrıaçıklar Oto Elektrik
 Motorlu Sanayi Çarşısı Doğruer Sk. No:9 Selçuklu
 Konya
 Tel.: +90 332 2354576
 Tel.: +90 332 2331952
 Fax: +90 332 2363492
 E-mail: bagriaciklarotoelektrik@gmail.com

Kırgızistan, Moğolistan, Tacikistan, Türkmenistan, Özbekistan

TOO "Robert Bosch" Power Tools, Satış Sonrası Servis
 Muratbaev Cad., 180
 050012, Almatı, Kazakistan
 Servis E-posta: service.pt.ka@bosch.com
 Resmi İnternet Sitesi: www.bosch.com, www.bosch-pt.com

Tasfiye

Elektrikli el aleti, aksesuar ve ambalaj malzemesi çevre dostu bir yöntemle tasfiye edilmek üzere tekrar kazanım merkezine gönderilmelidir.



Elektrikli el aletlerini evsel çöplerin içine atmayın!

Sadece AB ülkeleri için:

Eski elektrikli el aletleri ve elektronik aletlere ilişkin 2012/19/EU sayılı Avrupa Birliği yönetmeliği ve bunların tek tek ülkelerin hukuklarına uyarlanması uyarınca, kullanım ömrünü tamamlamış elektrikli el aletleri ayrı ayrı toplanmak ve çevre dostu bir yöntemle tasfiye edilmek üzere yeniden kazanım merkezlerine gönderilmek zorundadır.

Fax: +90 312 3410203
 E-mail: bulsanbobinaj@gmail.com
 Faz Makine Bobinaj
 Cumhuriyet Mah. Sanayi Sitesi Motor
 İşleri Bölümü 663 Sk. No:18
 Antalya
 Tel.: +90 242 3465876
 Tel.: +90 242 3462885
 Fax: +90 242 3341980
 E-mail: info@fazmakina.com.tr
 Körfez Elektrik
 Karaağaç Mah. Sümerbank Cad. No:18/2
 Erzincan
 Tel.: +90 446 2230959
 Fax: +90 446 2240132
 E-mail: bilgi@korfezelektrik.com.tr
 Değer İş Bobinaj
 İsmetpaşa Mah. İlk Belediye Başkan Cad. 5/C
 Şahinbey/Gaziantep
 Tel.: +90 342 2316432
 Fax: +90 342 2305871
 E-mail: degerisbobinaj@hotmail.com
 Tek Çözüm Bobinaj
 Küşet San.Sit.A Blok 11Nolu Cd.No:49/A
 Şehitkamil/Gaziantep
 Tel.: +90 342 2351507
 Fax: +90 342 2351508
 E-mail: cozumbobinaj2@hotmail.com
 Günşah Otomotiv
 Beylikdüzü Sanayi Sit. No: 210 Beylikdüzü
 İstanbul
 Tel.: +90 212 8720066
 Fax: +90 212 8724111
 E-mail: gunsaelektrik@ttmail.com
 Aygem
 10021 Sok. No: 11 AOSB Çiğli
 İzmir
 Tel.: +90232 3768074
 Fax: +90 232 3768075
 E-mail: boschservis@aygem.com.tr
 Sezmen Bobinaj
 Ege İş Merkezi 1201/4 Sok. No: 4/B Yenişehir
 İzmir
 Tel.: +90 232 4571465
 Tel.: +90 232 4584480
 Fax: +90 232 4573719
 E-mail: info@sezmenbobinaj.com.tr
 Ankaralı Elektrik
 Eski Sanayi Bölgesi 3. Cad. No: 43 Kocasinan
 Kayseri
 Tel.: +90 352 3364216
 Tel.: +90 352 3206241
 Fax: +90 352 3206242
 E-mail: gunay@ankarali.com.tr
 Asal Bobinaj
 Eski Sanayi Sitesi Barbaros Cad. No: 24/C
 Samsun
 Tel.: +90 362 2289090

مناسب برای محیط باز، خطر برق گرفتگی را کم می کنند.

◀ در صورت لزوم کار با ابزار برقی در محیط و اماکن مرطوب، باید از یک کلید حفاظتی جریان خطا و نشستی زمین (کلید قطع کننده اتصال با زمین) استفاده کنید. استفاده از کلید حفاظتی جریان خطا و نشستی زمین خطر برق گرفتگی را کاهش می دهد.

رعایت ایمنی اشخاص

◀ حواس خود را خوب جمع کنید، به کار خود دقت کنید و با فکر و هوشیاری کامل با ابزار برقی کار کنید. در صورت خستگی و یا در صورتی که مواد مخدر، الکل و دارو استفاده کرده‌اید، با ابزار برقی کار نکنید. یک لحظه بی توجهی هنگام کار با ابزار برقی، میتواند جراثم های شدیدی به همراه داشته باشد.

◀ از تجهیزات ایمنی شخصی استفاده کنید. همواره از عینک ایمنی استفاده نمایید.

استفاده از تجهیزات ایمنی مانند ماسک ضد گرد و غبار، کفشهای ایمنی ضد لغزش، کلاه ایمنی و گوشی محافظ متناسب با نوع کار با ابزار برقی، خطر مجروح شدن را کاهش میدهد.

◀ مواظب باشید که ابزار برقی بطور ناخواسته بکار نیفتد. قبل از وارد کردن دوشاخه دستگاه در پریز برق، اتصال آن به باتری، برداشتن آن و یا حمل دستگاه، باید دقت کنید که ابزار برقی خاموش باشد. در صورتی که هنگام حمل دستگاه انگشت شما روی دکمه قطع و وصل باشد و یا دستگاه را در حالت روشن به برق بزنید، ممکن است سوانع کاری پیش آید.

◀ قبل از روشن کردن ابزار برقی، همه ابزارهای تنظیم کننده و آپارها را از روی دستگاه بردارید. ابزار و آپارهایی که روی بخش های چرخنده دستگاه قرار دارند، میتوانند باعث ایجاد جراثم شوند.

◀ وضعیت بدن شما باید در حالت عادی قرار داشته باشد. برای کار جای مطمئنی برای خود انتخاب کرده و تعادل خود را همواره حفظ کنید. به این ترتیب میتوانید ابزار برقی را در وضعیتهای غیر منتظره بهتر تحت کنترل داشته باشید.

◀ لباس مناسب بپوشید. از پوشیدن لباسهای گشاد و حمل زینت آلات خودداری کنید. موها و لباس خود را از بخشهای در حال چرخش دستگاه دور نگه دارید. لباسهای گشاد، موی بلند و زینت آلات ممکن است در قسمتهای در حال چرخش دستگاه گیر کنند.

◀ در صورتی که تجهیزاتی برای اتصال وسائل مکش گرد و غبار و یا وسیله جمع کننده گرد و غبار ارائه شده است، باید مطمئن شوید که این وسائل درست نصب و استفاده می شوند. استفاده از وسائل مکش گرد و غبار مصونیت شما را در برابر گرد و غبار زیاده تر میکند.

◀ آشنایی با ابزار به دلیل کار کردن زیاد با آن نباید باعث سهل انگاری شما و نادیده گرفتن اصول ایمنی شود. بی دقتی ممکن است باعث بروز جراحاتی در عرض کسری از ثانیه شود.

فارسی

دستورات ایمنی

نکات ایمنی عمومی برای ابزارهای برقی

⚠ هشدار کلیه هشدارها، دستورالعملها، تصاویر و

مشخصات ارائه شده به همراه ابزار برقی را مطالعه کنید. اشتباهات ناشی از عدم رعایت این دستورات ایمنی ممکن است باعث برق گرفتگی، سوختگی و یا سایر جراثم های شدید شود.

کلیه هشدارهای ایمنی و راهنماییها را برای آینده خوب نگهداری کنید.

عبارت «ابزار برقی» در هشدارها به ابزارهایی که به پریز برق متصل میشوند (با سیم برق) و یا ابزارهای برقی باتری دار (بدون سیم برق) اشاره دارد.

ایمنی محل کار

◀ محیط کار را تمیز و روشن نگه دارید. محیطهای در هم ریخته یا تاریک احتمال بروز حادثه را افزایش میدهند.

◀ ابزار برقی را در محیطهایی که خطر انفجار وجود دارد و حاوی مایعات، گازها و بخارهای متحرکه هستند، به کار نگیرید. ابزارهای برقی چرخههایی ایجاد میکنند که میتوانند باعث آتش گرفتن گرد و غبارهای موجود در هوا شوند.

◀ هنگام کار با ابزار برقی، کودکان و سایر افراد را از دستگاه دور نگه دارید. در صورتیکه حواس شما پرت شود، ممکن است کنترل دستگاه از دست شما خارج شود.

ایمنی الکتریکی

◀ دوشاخه ابزار برقی باید با پریز برق تناسب داشته باشد. هیچگونه تغییری در دوشاخه ایجاد نکنید. مبدل دوشاخه نباید همراه با ابزار برقی دارای اتصال زمین استفاده شود. دوشاخههای اصل و تغییر داده نشده و پریزهای مناسب، خطر برق گرفتگی را کاهش میدهند.

◀ از تماس بدنی با قطعات متصل به سیم اتصال زمین مانند لوله، شوفاژ، آجاق برقی و یخچال خودداری کنید. در صورت تماس بدنی با سطوح و قطعات دارای اتصال به زمین و همچنین تماس شما با زمین، خطر برق گرفتگی افزایش می یابد.

◀ ابزارهای برقی را در معرض باران و رطوبت قرار ندهید. نفوذ آب به ابزار برقی، خطر شوک الکتریکی را افزایش میدهد.

◀ از سیم دستگاه برای مقاصد دیگر استفاده نکنید. هرگز برای حمل ابزار برقی، کشیدن آن یا خارج کردن دوشاخه از سیم دستگاه استفاده نکنید. کابل دستگاه را از حرارت، روغن، لیبهای تیز یا قطعات متحرک دور نگه دارید. کابلهای آسیب دیده و یا گره خورده خطر شوک الکتریکی را افزایش میدهند.

◀ هنگام استفاده از ابزار برقی در محیطهای باز، تنها از کابل رابطی استفاده کنید که برای محیط باز نیز مناسب باشد. کابل های رابط

◀ چنانچه هنگام انجام کار، امکان تماس متعلقات برش یا بستها با سیمهای برق غیر قابل رؤیت یا کابل خود ابزار وجود داشته باشد، باید ابزار برقی را از محل دستگیره و سطوح عایق آن بگیریید. تماس متعلقات برش یا بستها با سیم حامل جریان برق، میتواند جریان برق را به بخشهای فلزی دستگاه نیز انتقال دهد و باعث برق گرفتگی شود.

دستورالعملهای ایمنی برای هنگام استفاده از متههای بلند

◀ هرگز دستگاه را با سرعت بیشتر از حداکثر سرعت مجاز مته به کار نگیرید. در سرعتهای بالاتر، ممکن است مته هنگام چرخش در حالت آزاد و بدون تماس با قطعه کار کج شود و باعث وارد آمدن جراحت گردد.

◀ دریل کاری را همیشه هنگامی که مته با قطعه کار در تماس است و با سرعت پایین آغاز کنید. در سرعتهای بالاتر، ممکن است مته هنگام چرخش در حالت آزاد و بدون تماس با قطعه کار کج شود و باعث وارد آمدن جراحت گردد.

◀ فشار را فقط هم راستا با مته وارد کنید و از وارد کردن فشار زیاد خودداری نمایید. ممکن است مته کج شود و باعث ایجاد شکستگی یا از دست رفتن کنترل و در نتیجه وارد آمدن جراحت گردد.

سایر راهنمایی های ایمنی

◀ در صورت بلوکه شدن ابزار برقی، آن را خاموش کنید. نسبت به عکسالعملهای شدیدی که منجر به ضربه برگشتی می شوند، آمادگی داشته باشید. چنانچه فشار زیادی به ابزار برقی وارد شود یا در قطعهکار گیر کند، ابزار برقی بلوکه می شود.

◀ ابزار برقی را محکم بگیرید. هنگام سفت و باز کردن پیچها ممکن است گشتاورهای بازگشتی بالایی به طور موقت ایجاد شوند.

◀ قطعه کار را محکم کنید. در صورتیکه قطعه کار به وسیله تجهیزات نگهدارنده و یا بوسیله گیره محکم شده باشد، قطعه کار مطمئن تر نگه داشته میشود، تا اینکه بوسیله دست نگهداشته شود.

◀ برای پیدا کردن لوله ها و سیم های پنهان موجود در ساختمان و محدوده کار، از یک دستگاه ردیاب مخصوص برای یافتن لوله ها و سیمهای تأسیسات استفاده کنید و یا با شرکت های کارهای تأسیسات ساختمان و خدمات مربوطه تماس بگیرید. تماس با کابل و سیمهای برق ممکن است باعث آتشسوزی و یا برق گرفتگی شود. ایراد و آسیب دیدگی لوله گاز میتواند باعث انفجار شود. سوراخ شدن لوله آب، باعث خسارت و یا برق گرفتگی میشود.

◀ قبل از کنار گذاشتن ابزار برقی صبر کنید تا دستگاه بطور کامل از کار و حرکت بایستد. ابزار ممکن است به قطعه کار گیر کرده و کنترل ابزار برقی از دست شما خارج شود.

استفاده صحیح از ابزار برقی و مراقبت از آن از وارد کردن فشار زیاد روی دستگاه

◀ خودداری کنید. برای هر کاری، از ابزار برقی مناسب با آن استفاده کنید. بکار گرفتن ابزار برقی مناسب باعث میشود که بتوانید از توان دستگاه بهتر و با اطمینان بیشتر استفاده کنید.

◀ در صورت ایراد در کلید قطع و وصل ابزار برقی، از دستگاه استفاده نکنید. ابزار برقی که نمی توان آنها را قطع و وصل کرد، خطرناک بوده و باید تعمیر شوند.

◀ قبل از تنظیم ابزار برقی، تعویض متعلقات و یا کنار گذاشتن آن، دوشاخه را از برق بکشید و یا باتری آنرا خارج کنید. رعایت این اقدامات پیشگیری ایمنی از راه افتادن ناخواسته ابزار برقی جلوگیری می کند.

◀ ابزار برقی را در صورت عدم استفاده، از دسترس کودکان دور نگه دارید و اجازه ندهید که افراد ناوارد و یا اشخاصی که این دفترچه راهنما را نخواندهاند، با این دستگاه کار کنند. قرار گرفتن ابزار برقی در دست افراد ناوارد و بی تجربه خطرناک است.

◀ از ابزار برقی و متعلقات خوب مراقبت کنید. مواظب باشید که قسمت های متحرک دستگاه خوب کار کرده و گیر نکنند. همچنین دقت کنید که قطعات ابزار برقی شکسته و یا آسیب دیده نباشند. قطعات آسیب دیده را قبل از شروع به کار تعمیر کنید. علت بسیاری از سوانح کاری، عدم مراقبت کامل از ابزارهای برقی می باشد.

◀ ابزار برش را تیز و تمیز نگه دارید. ابزار برشی که خوب مراقبت شده و از لبه های تیز برخوردار است، کمتر در قطعه کار گیر کرده و بهتر قابل هدایت است.

◀ ابزار برقی، متعلقات، متههای دستگاه و غیره را مطابق دستورات این جزوه راهنما به کار گیرید و به شرایط کاری و نوع کار نیز توجه داشته باشید. استفاده از ابزار برقی برای عملیاتی به جز مقاصد در نظر گرفته شده، میتواند به بروز شرایط خطرناک منجر شود.

◀ دستها و سطوح عایق را همواره خشک، تمیز و عاری از روغن و گریس نگه دارید. دسته های لغزنده مانع ایمنی و کنترل در کار در شرایط غیر منتظره هستند.

سرویس

◀ برای تعمیر ابزار برقی فقط به متخصصین حرفهای رجوع کنید و از قطعات یدکی اصل استفاده نمایید. این باعث خواهد شد که ایمنی دستگاه شما تضمین گردد.

هشدارهای ایمنی برای دریلها

دستورالعملهای ایمنی برای انواع عملیات هنگام کار با دریل ضربهای از گوشی ایمنی استفاده کنید. قرار گرفتن در معرض سر و صدا، میتواند به شنوایی آسیب برساند.

◀ از دسته (های) کمکی استفاده کنید. از دست دادن کنترل بر روی ابزار میتواند باعث بروز جراحت شود.

(29) دکمه آزاد سازی رینگ یا حلقه گردگیر

- (A) کلیه متعلقاتی که در تصویر و یا در متن آمده است، بطور معمول همراه دستگاه ارائه نمی شود. لطفاً لیست کامل متعلقات را از فهرست برنامه متعلقات اقتباس نمایید.
- (B) معمول در بازار (در محتویات ارسال موجود نیست)

مشخصات فنی

دریل/پیچگوشتی چکشی		GSB 19-2 REA	
3 601 A7C 5..			شماره فنی
900	W		قدرت ورودی نامی
455	W		حداکثر توان خروجی
			تعداد دور در حالت بدون بار
0-1000	⁻¹ min		- دنده 1
0-3000	⁻¹ min		- دنده 2
			تعداد دور نامی
770	⁻¹ min		- دنده 1
1990	⁻¹ min		- دنده 2
51000	⁻¹ min		تعداد ضربه در حالت بدون بار
			گشتاور نامی
5,7	Nm		- دنده 1
2,2	Nm		- دنده 2
●			انتخاب سرعت
●			چرخش راست گرد/چپ گرد
-			سه نظام معمولی
●			سه نظام اتوماتیک
●			قفل کننده تمام اتوماتیک محور دستگاه (Auto-Lock)
43	mm		قطر محور گلوبی
			حداکثر قطر سوراخکاری (دنده 1/2)
18/13	mm		- بتن
20/15	mm		- ساختار آجری
13/8	mm		- فولاد
40/25	mm		- چوب
1,5-13	mm		دامنه مهار سه نظام
460	l/min		قدرت مکش
			ظرفیت محفظه گرد و غبار (در سوراخکاری افقی)
130	قطعه	6 x 30	- اندازه سوراخها mm

توضیحات محصول و کارکرد

همه دستورات ایمنی و راهنماییها را بخوانید. اشتباهات ناشی از عدم رعایت این دستورات ایمنی ممکن است باعث برقررفتنگی، سوختگی و یا سایر جراحات های شدید شود.



به تصویرهای واقع در بخشهای اول دفترچه راهنما توجه کنید.

موارد استفاده از دستگاه

این ابزار برقی برای سوراخکاری چکشی در آجر، بتن، سنگ، و همچنین سوراخ کاری در چوب، فلزات، سرامیک و مواد پلاستیکی مناسب است. دستگاههای دارای تنظیم الکترونیکی چپگرد/راستگرد هم برای پیچکاری و رزوه کردن مناسب هستند.

تصاویر اجزاء دستگاه

شماره های اجزاء دستگاه که در تصویر مشاهده میشود، مربوط به شرح ابزار برقی می باشد که تصویر آن در این دفترچه آمده است.

- (1) سه نظام اتوماتیک
- (2) کلید انتخاب سرعت
- (3) کلید تعویض "سوراخکاری/سوراخکاری چکشی"
- (4) کلید تغییر جهت چرخش
- (5) دکمه تثبیت کلید روشن/خاموش
- (6) چرخک تنظیم انتخاب سرعت
- (7) کلید روشن/خاموش
- (8) دکمه آزاد کننده قفل مکنده گرد و غبار
- (9) محفظه گرد و غبار کامل (سیستم میکرو فیلتر)
- (10) دسته کمکی (دارای روکش عایق)^(A)
- (11) دکمه تنظیم راهنمای تلسکوپی
- (12) مکنده گرد و غبار
- (13) راهنمای تلسکوپی
- (14) دکمه خط کش تعیین عمق سوراخ
- (15) رینگ یا حلقه گردگیر برای مته
- (16) دسته (دارای روکش عایق)
- (17) خط کش تعیین عمق سوراخ^(A)
- (18) سری پیچگوشتی^(A)
- (19) نگهدارنده عمومی مته^(A)
- (20) آچار سه نظام^(A)
- (21) سه نظام معمولی^(A)
- (22) آچار آلن^(B)
- (23) شیار راهنمای مکنده گرد و غبار
- (24) اجزاء فیلتر (سیستم میکرو فیلتر)
- (25) دکمه آزاد کننده قفل (محفظه گرد و غبار)
- (26) درپوش محفظه گرد و غبار
- (27) خط کش تعیین عمق سوراخ (مکنده گرد و غبار)^(A)
- (28) رینگ لاستیکی برای رینگ یا حلقه گردگیر

- حتی الامکان از یک دستگاه مکش مناسب و درخور ماده (قطعه کار) استفاده کنید.
- توجه داشته باشید که محل کار شما از تهویه هوای کافی برخوردار باشد.
- توصیه میشود از ماسک تنفسی ایمنی با درجه فیلتر P2 استفاده کنید.
- به قوانین و مقررات معتبر در کشور خود در رابطه با استفاده از مواد و قطعات کاری توجه کنید.

◀ **از تجهیزات مکش گرد و غبار فقط هنگام کار روی بتن، آجر و بلوک استفاده کنید.** چوب و تراشههای پلاستیکی میتوانند به راحتی منجر به انسداد گردند.

◀ **احتیاط: خطر آتشسوزی! با استفاده از مکنده گرد و غبار نصب شده با قطعات کار آهنی کار نکنید.** برادهای داغ آهنی ممکن است باعث آتش گرفتن محفظه گرد و غبار گردند.

◀ **از تجمع گرد و غبار در محل کار جلوگیری کنید.** گرد و غبار می توانند به آسانی مشتعل شوند.

نکته: از مکنده گرد و غبار (12) هنگام پیچکاری یا رزوه کاری استفاده نکنید.

مکنده گرد و غبار (12) هنگام کار حرکتی فتر مانند به سمت عقب دارد تا بدینوسیله رینگ یا حلقه گردگیر همیشه نزدیک به زمین باقی بماند. مکش گرد و غبار به طور خودکار به همراه ابزار برقی روشن و خاموش میشود.

برای دستیابی به مکشی بهینه، لطفاً به نکات زیر توجه کنید:

- ابزار مورد استفاده نباید روی رینگ یا حلقه گردگیر (15) قرار گیرند.

- توجه داشته باشید که تجهیزات مکش گرد و غبار کاملاً با قطعه کار و یا روی دیوار به طور تماس قرار گیرد. به این ترتیب همزمان امکان سوراخ کردن عمود بر قطعه کار آسان میشود.

- هنگام کار با تجهیزات مکش گرد و غبار همیشه با حداکثر سرعت کار کنید.

- پس از دستیابی به عمق مورد نظر سوراخ، نخست مته را از داخل سوراخ خارج و سپس دریل ضربهای را خاموش کنید.

- مقاومت اجزاء فیلتر (سیستم فیلتر گرد و غبار ظریف) را به طور منظم بررسی نمایید (24). در صورت آسیب دیدن اجزاء فیلتر (سیستم فیلتر گرد و غبار ظریف) آنها را بلافاصله تعویض کنید.

جدا کردن/قرار دادن مکنده گرد و غبار (رجوع کنید به تصویر F)

جهت جدا کردن مکنده گرد و غبار دکمه آزادکننده قفل (8) را فشار دهید و مکنده گرد و غبار به سمت جلو بکشید.

در صورت نیاز دسته کمکی (10) را طرفین حرکت دهید.

جهت قرار دادن مکنده گرد و غبار (12) آن را با استفاده از شیارهای راهنما (23) به درون نگهدارنده روی ابزار برقی بکشید تا به طور محسوس جا بیفتد.

ابزار برای پیچکاری

در صورت استفاده از سربکس (18) بایستی همواره یک نگهدارنده یونیورسال (19) بکار برید. منحصراً از سربچگوشنی های متناسب با سربکس استفاده کنید.

جهت پیچکاری، کلید تعویض را روی نماد „سوراخکاری/سوراخکاری چکشی“ (3) را همیشه روی نماد „سوراخکاری“ قرار دهید.

نحوه تعویض سه نظام

◀ **پیش از انجام هرگونه کاری بر روی ابزار الکتریکی، دوشاخه اتصال آنرا از داخل پریز برق بیرون بکشید.**

برداشتن سه نظام معمولی (رجوع کنید به تصویر D)

دسته کمکی را باز کنید و کلید انتخاب دنده (2) را در حالت میانه بین دنده 1. و دنده 2. قرار دهید. یک پین فولادی را به قطر 4 میلیمتر و طول تقریبی 50 میلیمتر در سوراخ محور گویی برانید تا میل شفت دریل قفل شود.

یک آچار آلن (22) را از قسمت کوتاه در سه نظام اتوماتیک (1) قرار دهید.


ابزار برقی را روی یک سطح صاف و محکم مانند میز کار قرار دهید. ابزار برقی را محکم بگیرید و سه نظام اتوماتیک (1) را با چرخاندن آچار آلن (22) در جهت چرخش 1 شل کنید. سه نظام اتوماتیکی که باز نمیشود را میتوان با ضربهای آرام به آچار آلن (22) باز کرد. آچار آلن را از سه نظام اتوماتیک بردارید و سه نظام اتوماتیک را کاملاً جدا کنید.

روند باز کردن ابزارهای برقی با سه نظام معمولی طبق توضیحات مشروحه فوق انجام میگیرد.

در مورد ابزارهای برقی دارای سه نظام اتوماتیک، به جای آچار آلن (22) میتوان یک آچار تخت (اندازه آچار 19 میلیمتر) را روی سه نظام قرار داد.

نصب سه نظام معمولی (رجوع کنید به تصویر E)

برای نصب سه نظام اتوماتیک و سه نظام معمولی باید سلسله مراتب فوق را بطور معکوس اجرا کنید.

سه نظام باید با یک گشتاور 50-55 نیوتنمتر سفت شود. 

◀ **پس از نصب کامل سه نظام، پین فولادی را مجدداً از داخل سوراخ محور بیرون بیاورید.**

مکنده گرد و غبار/محفظه گرد و غبار

گرد و غبار موادی مانند رنگ های دارای سرب، بعضی از چوب ها، مواد معدنی و فلزات میتوانند برای سلامتی مضر باشند. دست زدن و یا تنفس کردن گرد و غبار ممکن است باعث بروز آلرژی و یا بیماری مجاری تنفسی شخص استفاده کننده و یا افرادی که در آن نزدیکی میباشند، بشود.

گرد و غبارهای مخصوصی مانند گرد و غبار درخت بلوط و یا درخت راش سرطان زا هستند، بخصوص ترکیب آنها با سایر موادی که برای کار بر روی چوب (کرومات، مواد برای محافظت از چوب) بکار برده میشوند. فقط افراد متخصص مجازند با موادی که دارای آزرست میباشند کار کنند.

تنظیم مکنده گرد و غبار روی طول ابزار (رجوع کنید به تصویر J)

طول مکنده گرد و غبار (12) را میتوان جهت کار راحت با ابزار کوتاه مورد استفاده تنظیم کرد.
دکمه (11) را فشار دهید و در همان حالت راهنمای تلسکوپی (13) را تا اندازه‌های در مکنده گرد و غبار (12) به داخل بکشید تا رینگ یا حلقه گردگیر نزدیک لبه ابزار مورد استفاده قرار گیرد.
برای بیرون آوردن مجدد راهنمای تلسکوپی، دکمه (11) را دوباره فشار دهید.

رینگ یا حلقه گردگیر برای مته (رجوع کنید به تصویر K)

رینگ یا حلقه گردگیر برای مته (15) ممکن است به رینگهای لاستیکی (28) در دو سایز مجهز شده باشند. برای انجام سوراخکاری تا قطر 12 میلیمتر از رینگ لاستیکی K1 با دهانه کوچکتر و برای ایجاد سوراخهای بزرگتر از رینگ لاستیکی K2 با دهانه بزرگتر استفاده کنید.

برای تعویض رینگ لاستیکی (28) آنها را به سمت عقب فشار دهید و از رینگ یا حلقه گردگیر (15) بیرون بکشید. برای قرار دادن رینگ لاستیکی، آن را روی رینگ یا حلقه گردگیر قرار دهید و آن را محکم فشار دهید.

جهت تعویض رینگ یا حلقه گردگیر (15) دکمه آزاد سازی (29) را فشار دهید و رینگ یا حلقه گردگیر را از مکنده گرد و غبار بیرون بکشید.
جهت قرار دادن، رینگ یا حلقه گردگیر (15) را از سمت بالا به درون مکنده گرد و غبار (12)، فشار دهید تا به طور محسوس جا بیفتد.

طرز کار با دستگاه

راه اندازی و نحوه کاربرد دستگاه

- ◀ به ولتاژ شبکه برق توجه کنید! ولتاژ منبع جریان برق باید با مقادیر موجود بر روی برچسب ابزار الکتریکی مطابقت داشته باشد.
- ابزارهای برقی را که با ولتاژ 230 V ولت مشخص شده اند، می توان تحت ولتاژ 220 V ولت نیز بکار برد.

نحوه تنظیم جهت چرخش (رجوع کنید به تصویر L-M)

- ◀ کلید تغییر جهت چرخش (4) را هنگام متوقف بودن دستگاه فعال کنید.

توسط دکمه تعویض جهت چرخش (4) می توان جهت چرخش ابزار برقی را تغییر داد. هنگامی که کلید قطع و وصل (7) فشرده شده است، این امر ممکن نیست.

راستگرد: برای سوراخکاری و پیچکاری، کلید تغییر جهت چرخش (4) را در طرف چپ به پایین و همزمان در طرف راست به بالا برانید.

چپگرد: برای باز کردن و بیرون آوردن پیچ ها و مهره ها، کلید تغییر جهت چرخش (4) را در طرف چپ به بالا و همزمان در طرف راست به پایین برانید.

مکش سر خود با محفظه گرد و غبار (رجوع کنید به تصویر G)

ظرفیت کامل محفظه گرد و غبار (9) را میتوان به راحتی از طریق دریوش (26) شفاف کنترل کرد.
محفظه گرد و غبار را به موقع خالی کنید، زیرا در غیر اینصورت قدرت و توان مکش تحت تأثیر قرار میگیرد.
جهت برداشتن محفظه گرد و غبار (9) هر دو دکمه آزادکننده قفل (25) را فشار دهید و محفظه گرد و غبار را به سمت پایین از مکنده گرد و غبار (12) بیرون بکشید.

پیش از باز کردن محفظه گرد و غبار (9) باید آن را به آرامی روی یک سطح ثابت بزنید تا گرد و غبار از اجزاء فیلتر (24) زدوده شود.

دریوش (26) را از سمت پایین فشار دهید و محفظه گرد و غبار را خالی کنید.

بررسی کنید تا اجزاء فیلتر (24) آسیب ندیده باشند. در صورت آسیب دیدگی فیلتر، آن را فوراً تعویض کنید.

دریوش (26) را ببندید و محفظه گرد و غبار را از پایین دوباره به درون مکنده گرد و غبار 13 وارد کنید تا به طور محسوس جا بیفتد.

تعویض اجزاء فیلتر (رجوع کنید به تصویر H)

برای حفظ توان فیلتر، اجزاء فیلتر (24) محفظه گرد و غبار (9) باید پس از حدود 15 ساعت کار تعویض گردد.

جهت برداشتن محفظه گرد و غبار (9) هر دو دکمه آزادکننده قفل (25) را فشار دهید و محفظه گرد و غبار را از سمت پایین از مکنده گرد و غبار (12) بیرون بکشید.

اجزاء فیلتر (24) را از سمت بالا بردارید و یک فیلتر جدید جایگزین کنید.

محفظه گرد و غبار را دوباره از سمت پایین به درون مکنده گرد و غبار (12) برانید تا به طور محسوس جا بیفتد.

نکته: اجزاء فیلتر (24) را زمانی که آسیب دیدها،ند، سریعاً جایگزین کنید (برای مثال سوراخها، آسیب دیدگی در قسمت‌های نرم متراکم). در صورت کار با اجزاء فیلتر آسیب دیده، ممکن است ابزار برقی دچار آسیب دیدگی شود. به همین ترتیب اجزاء فیلتر (24) را حتی زمانی که قدرت مکش در محفظه گرد و غبار (9) خالی به اندازه کافی نیست، تعویض نمایید.

تنظیم عمق سوراخ (رجوع کنید به تصویر I)

با تنظیم کننده عمق (27) میتوان عمق سوراخکاری دلخواه X را تثبیت کرد.

یک مته را درون سه نظام وارد کنید و آن را محکم کنید، به بخش تعویض ابزار رجوع کنید. ابزار برقی را در حالت خاموش به طور محکم روی سطحی که باید سوراخ شود قرار دهید، طوری که مته روی سطح قطعه کار قرار گیرد.

دکمه تنظیم کننده عمق (14) را فشار دهید و خط کش تعیین عمق سوراخ (27) را طوری حرکت دهید تا آن گونه که در تصویر نشان داده شده فاصله X با عمق سوراخ مورد نظر شما مطابقت داشته باشد.

فشار کم روی کلید قطع و وصل (7) سرعت کاهش مییابد. افزایش فشار باعث افزایش سرعت و تعداد ضربه ها میشود.

نحوه انتخاب سرعت و تعداد ضربه ها

با چرخک تنظیم انتخاب تعداد ضربه (6) می توان تعداد دور/ضربه لازم را حتی هنگام کار انتخاب کرد. میزان سرعت و تعداد ضربه ها به جنس قطعه کار و شرایط کار بستگی داشته و طبق تجربه عملی بدست می آید.

راهنمایی های عملی

◀ پیش از انجام هرگونه کاری بر روی ابزار الکتریکی، دوشاخه اتصال آنرا از داخل پریز برق بیرون بکشید.

◀ ابزار برقی را تنها در حالت خاموش روی پیچ و یا مهره قرار دهید. امکان لغزش ابزار در حال چرخش وجود دارد.

پس از کار طولانی با تعداد لرزش پایین بایستی ابزار برقی جهت خنک شدن حدود 3 دقیقه با بیشترین تعداد لرزش بدون بار کار کند.

برای سوراخکاری کاشی ها کلید تعویض (3) را روی نماد „سوراخکاری“ قرار دهید. پس از سوراخ کردن کاشی کلید تغییر نوع عملکرد را روی علامت «دریل کاری ضربه ای» قرار داده و با ضربه کار کنید.

برای کار روی بتن، مواد سنگی و قطعات آجری از مته های فلز سخت استفاده کنید.

هنگام سوراخکاری در فلز تنها از مته های HSS بینقص و تیزشده (HSS=برش سریع و پرتوان فولادی) استفاده کنید. لیست ابزار و متعلقات شرکت **Bosch** تضمین کننده بهترین کیفیت ابزار میباشد.

توسط دستگاه تیزکن (متعلقات) میتوان مته های مارپیچی دارای قطر 2,5-10 میلیمتر را به راحتی تیز کرد.

مراقبت و سرویس

مراقبت، تعمیر و تمیز کردن دستگاه

◀ پیش از انجام هرگونه کاری بر روی ابزار الکتریکی، دوشاخه اتصال آنرا از داخل پریز برق بیرون بکشید.

◀ ابزار الکتریکی و شیارهای تهویه آنرا تمیز نگاه دارید، تا ایمنی شما در کار تضمین گردد.

در صورت نیاز به یک کابل پدکی برای اتصال به شبکه برق، بایستی به شرکت **Bosch** و یا به نمایندگی مجاز **Bosch** (خدمات پس از فروش) برای ابزار آلات برقی مراجعه کنید تا از بروز خطرات ایمنی جلوگیری بعمل آید.

خدمات و مشاوره با مشتریان

خدمات مشتری، به سئوالات شما درباره تعمیرات، سرویس و همچنین قطعات پدکی پاسخ خواهد داد. نقشه های سه بعدی و اطلاعات مربوط به قطعات پدکی را در تارنمای زیر مییابید:

www.bosch-pt.com

گروه مشاوره به مشتریان Bosch با کمال میل به

تنظیم نوع عملکرد

دریل کاری و پیچ گوشتی کاری

کلید تعویض (3) را روی نماد „سوراخکاری“ قرار دهید.

دریل کاری ضربه ای

کلید تعویض (3) را روی نماد „سوراخکاری چکشی“ قرار دهید.

کلید تعویض (3) به طور محسوس جا می افتد و می توان آن را هنگام کار موتور فعال کرد.



انتخاب مکانیکی دنده

◀ شما می توانید کلید انتخاب دنده (2) را هنگام ابزار الکتریکی در حال کار نیز فعال کنید. البته نباید این کار را هنگام توقف، زیر بار بودن یا سرعت بالا انجام داد.

با کلید انتخاب دنده (2) می توان 2 محدوده سرعت را از پیش تنظیم کرد.

دنده 1:

2 محدوده سرعت پائین، برای ایجاد سوراخهای دارای قطر زیاد و یا برای پیچکاری.



دنده 2:

2 محدوده سرعت بالا، برای کار با مته های کم قطر.



چنانچه کلید انتخاب دنده (2) تا انتها رانده نمیشود، شفت را توسط مته کمی بچرخانید.

نحوه روشن و خاموش کردن

برای راهاندازی ابزار برقی، کلید قطع و وصل (7) را فشار داده و آنرا در حالت فشرده نگهدارید.

برای ثابت کردن کلید قطع و وصل فشرده شده (7) دکمه ی تثبیت (5) را فشار دهید.

جهت خاموش کردن ابزار برقی، کلید قطع و وصل (7) را رها کنید یا در صورت قفل بودن دکمه تثبیت (5) کلید قطع و وصل (7) را کوتاه فشار دهید و آن را رها کنید.

کلاج ایمنی

جهت محدود کردن واکنشهای دستگاه، ابزار برقی با یک کلاج ایمنی (ضد چرخش) مجهز است.



◀ هنگامی که مته یا ابزار دریل گیر کند، نیروی محرکه محور (شفت) مته قطع می شود.

بدلیل نیروهایی که در اینصورت ایجاد می شوند، ابزار برقی را همیشه با هر دو دست محکم نگهدارید و وضعیت ایستادن شما هم باید ثابت و مستقر باشد.

◀ در صورتیکه ابزار برقی بلوکه شود یا گیر کند، ابزار برقی را خاموش کرده و ابزار را از روی دستگاه بردارید. روشن کردن ابزار برقی در حالیکه ابزار مته گیر کرده باشد، باعث ایجاد ارتعاش و عکس العمل های شدید گشتاور می شود.

نحوه تنظیم تعداد ضربه/سرعت

سرعت ابزار برقی را می توان با فشردن دلخواه کلید قطع و وصل (7) تنظیم کرد.

سؤالات شما درباره محصولات و متعلقات پاسخ می دهند.

برای هرگونه سؤال و یا سفارش قطعات یدکی، حتماً شماره فنی 10 رقمی کالا را مطابق برچسب روی ابزار برقی اطلاع دهید.

ایران

روبرت بوش ایران - شرکت بوش تجارت پارس
میدان ونک، خیابان شهید خدای، خیابان آفتاب
ساختمان مادیران، شماره 3، طبقه سوم.
تهران 1994834571
تلفن: 9821+ 42039000

از رده خارج کردن دستگاه

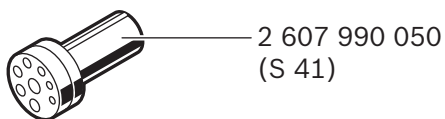
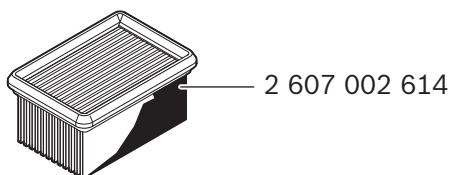
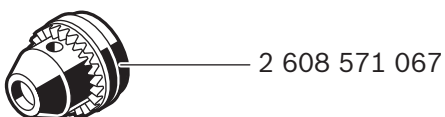
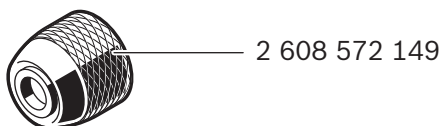
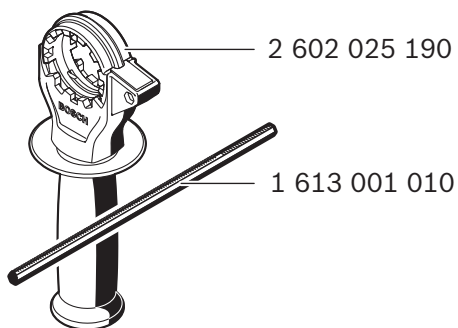
ابزار برقی، متعلقات و بسته بندی آن، باید طبق مقررات حفظ محیط زیست از رده خارج و بازیافت شوند.

ابزارهای برقی را داخل زباله دان خانگی نیاندازید!






فقط برای کشورهای عضو اتحادیه اروپا:

طبق آئین نامه و دستورالعمل اروپائی 2012/19/EU در باره دستگاههای کهنه الکتریکی و الکترونیکی و تبدیل آن به حق ملی، باید ابزارهای برقی غیرقابل استفاده را جداگانه جمع آوری کرد و نسبت به بازیافت مناسب با محیط زیست اقدام بعمل آورد.



de	EU-Konformitätserklärung Schlagbohrmaschine	Sachnummer	Wir erklären in alleiniger Verantwortung, dass die genannten Produkte allen einschlägigen Bestimmungen der nachfolgend aufgeführten Richtlinien und Verordnungen entsprechen und mit folgenden Normen übereinstimmen. Technische Unterlagen bei: *
en	EU Declaration of Conformity Impact drill	Article number	We declare under our sole responsibility that the stated products comply with all applicable provisions of the directives and regulations listed below and are in conformity with the following standards. Technical file at: *
fr	Déclaration de conformité UE Perceuse à percussion	N° d'article	Nous déclarons sous notre propre responsabilité que les produits décrits sont en conformité avec les directives, règlements normatifs et normes énumérés ci-dessous. Dossier technique auprès de: *
es	Declaración de conformidad UE Taladro de percusión	Nº de artículo	Declaramos bajo nuestra exclusiva responsabilidad, que los productos nombrados cumplen con todas las disposiciones correspondientes de las Directivas y los Reglamentos mencionados a continuación y están en conformidad con las siguientes normas. Documentos técnicos de: *
pt	Declaração de Conformidade UE Berbequim de percussão	N.º do produto	Declaramos sob nossa exclusiva responsabilidade que os produtos mencionados cumprem todas as disposições e os regulamentos indicados e estão em conformidade com as seguintes normas. Documentação técnica pertencente à: *
it	Dichiarazione di conformità UE Trapano battente	Codice prodotto	Dichiariamo sotto la nostra piena responsabilità che i prodotti indicati sono conformi a tutte le disposizioni pertinenti delle Direttive e dei Regolamenti elencati di seguito, nonché alle seguenti Normative. Documentazione Tecnica presso: *
nl	EU-conformiteitsverklaring Klopboormachine	Productnummer	Wij verklaren op eigen verantwoordelijkheid dat de genoemde producten voldoen aan alle desbetreffende bepalingen van de hierna genoemde richtlijnen en verordeningen en overeenstemmen met de volgende normen. Technisch dossier bij: *
da	EU-overensstemmelseserklæring Slagboremaskine	Typenummer	Vi erklærer som eneansvarlige, at det beskrevne produkt er i overensstemmelse med alle gældende bestemmelser i følgende direktiver og forordninger og opfylder følgende standarder. Tekniske bilag ved: *
sv	EU-konformitetsförklaring Slagborrmaskin	Produktnummer	Vi förklarar under eget ansvar att de nämnda produkterna uppfyller kraven i alla gällande bestämmelser i de nedan angivna direktiven och förordningarna och att de stämmer överens med följande normer. Teknisk dokumentation: *
no	EU-samsvarserklæring Slagbormaskin	Produktnummer	Vi erklærer under eneansvar at de nevnte produktene er i overensstemmelse med alle relevante bestemmelser i direktivene og forordningene nedenfor og med følgende standarder. Teknisk dokumentasjon hos: *
fi	EU-vaatimustenmukaisuusvakuutus Iskuporakone	Tuotenumero	Vakuutamme täten, että mainitut tuotteet vastaavat kaikkia seuraavien direktiivien ja asetusten asiaankuuluvia vaatimuksia ja ovat seuraavien standardien vaatimusten mukaisia. Tekniset asiakirjat saatavana: *
el	Δήλωση πιστότητας ΕΕ Κρουστικό δρέπανο	Αριθμός ευρετηρίου	Δηλώνουμε με αποκλειστική μας ευθύνη, ότι τα αναφερόμενα προϊόντα αντιστοιχούν σε όλες τις σχετικές διατάξεις των πιο κάτω αναφερόμενων οδηγιών και κανονισμών και ταυτίζονται με τα ακόλουθα πρότυπα. Τεχνικά έγγραφα στη: *
tr	AB Uygunluk beyanı Darbeli matkap	Ürün kodu	Tek sorumlu olarak, tanımlanan ürünün aşağıdaki yönetmelik ve direktiflerin geçerli bütün hükümlerine ve aşağıdaki standartlara uygun olduğunu beyan ederiz. Teknik belgelerin bulunduğu yer: *

pl	Deklaracja zgodności UE Wiertarka udarowa	Numer katalogowy	Oświadczamy z pełną odpowiedzialnością, że niniejsze produkty odpowiadają wszystkim wymaganiom poniżej wyszczególnionych dyrektyw i rozporządzeń, oraz że są zgodne z następującymi normami. Dokumentacja techniczna: *
cs	EU prohlášení oshodě Príklepová vrtačka	Objednací číslo	Prohlašujeme na výhradní zodpovědnost, že uvedený výrobek splňuje všechny příslušné ustanovení níže uvedených směrnic a nařízení a je v souladu s následujícími normami: Technické podklady u: *
sk	EÚ vyhlásenie ozhode Príklepová vrtačka	Vecné číslo	Vyhlasujeme na výhradnú zodpovednosť, že uvedený výrobok spĺňa všetky príslušné ustanovenia nižšie uvedených smerníc a nariadení a je v súlade s nasledujúcimi normami: Technické podklady má spoločnosť: *
hu	EU konformitási nyilatkozat Ütvefűró gép	Cikkszám	Egyedüli felelősséggel kijelentjük, hogy a megnevezett termékek megfelelnek az alábbiakban felsorolásra kerülő irányelvek és rendeletek valamennyi idevágó előírásainak és megfelelnek a következő szabványoknak. Műszaki dokumentumok megőrzési pontja: *
ru	Заявление о соответствии ЕС Ударная дрель	Товарный №	Мы заявляем под нашу единоличную ответственность, что названные продукты соответствуют всем действующим предписаниям нижеуказанных директив и распоряжений, а также нижеуказанных норм. Техническая документация хранится у: *
uk	Заява про відповідність ЄС Ударний дріль	Товарний номер	Мизаявляємо під нашу одноособову відповідальність, що названі вироби відповідають усім чинним положенням нищезначених директив і розпоряджень, а також нищезначеним нормам. Технічна документація зберігається у: *
kk	ЕО сәйкестік мағлұдамасы Перфораторлық бурғылау құралы	Өнім нөмірі	Өз жауапкершілікпен біз аталған өнімдер төменде жьылған директикалар мен жарлықтардың тиісті қағидаларына сәйкестігін және төмендегі нормаларға сай екенін білдіреміз. Техникалық құжаттар: *
ro	Declarație de conformitate UE Mașină de găurit cu percție	Număr de identificare	Declarăm pe proprie răspundere că produsele menționate corespund tuturor dispozițiilor relevante ale directivelor și reglementărilor enumerate în cele ce urmează și sunt în conformitate cu următoarele standarde. Documentație tehnică la: *
bg	ЕС декларация за съответствие Ударна бормашина	Каталожен номер	С пълна отговорност ние декларираме, че посочените продукти отговарят на всички валидни изисквания на директивите и разпоредбите по-долу и съответства на следните стандарти. Техническа документация при: *
mk	EU-Изјава за сообразност Вибрациони дупчалки	Број на дел/артикл	Со целосна одговорност изјавуваме, дека опишаните производи се во согласност со сите релевантни одредби на следните регулативи и прописи и се во согласност со следните норми. Техничка документација кај: *
sr	EU-izjava o usaglašenosti Udarна буšилка	Broj predmeta	Na sopstvenu odgovornost izjavljujemo, da navedeni proizvodi odgovaraju svim dotičnim odredbama naknadno navedenih smernica u uredba i da su u skladu sa sledećim standardima. Tehnička dokumentacija kod: *
sl	Izjava o skladnosti EU Udarни vrtnik	Številka artikla	Izjavljamo pod izključno odgovornostjo, da je omenjen izdelek v skladu z vsemi relevantnimi določili direktiv in uredb ter ustreza naslednjim standardom. Tehnična dokumentacija pri: *
hr	EU izjava o sukladnosti Udarна bušilica	Kataloški br.	Pod punom odgovornošću izjavljujemo da navedeni proizvodi odgovaraju svim relevantnim odredbama direktiva i propisima navedenima u nastavku i da su sukladni sa sljedećim normama. Tehnička dokumentacija se može dobiti kod: *
et	EL-vastavusdeklaratsioon Lööktrell	Tootenumber	Kinnitame ainuvastutatatena, et nimetatud tooted vastavad järgnevalt loetletud direktiivide ja määruste kõikidele asjaomastele nõuetele ja on kooskõlas

		jārgmiste normidega. Tehniskie dokumenti saadāvi: *	
lv Deklarācija par atbilstību ES standartiem		Mēs ar pilnu atbildību paziņojam, ka šeit aplūkoti izstrādājumi atbilst visiem tālāk minētajās direktīvās un rīkojumos ietvertajām saistošajām nostādņēm, kā arī sekojošiem standartiem.	
Triecienurbjuma	Izstrādājuma numurs	Tehniskā dokumentācija no: *	
lt ES atitiktās deklarācija		Atsakingai pareiškiam, kad išvardyti gaminiai atitinka visus privalomus žemiau nurodytų direktyvų ir reglamentų reikalavimus ir šiuos standartus.	
Smūginis gręžtuvas	Gaminio numeris	Techninė dokumentacija saugoma: *	
GSB 19-2 REA	3 601 A7C 5..	2006/42/EC 2014/30/EU 2011/65/EU	EN 62841-1:2015 EN 62841-2-1:2018 EN 55014-1:2006+A1:2009+A2:2011 EN 55014-2:2015 EN 61000-3-2:2014 EN 61000-3-3:2013 EN 50581:2012
		 BOSCH	* Robert Bosch Power Tools GmbH (PT/ECS) 70538 Stuttgart GERMANY
		Henk Becker Chairman of Executive Management	Helmut Heinzelmann Head of Product Certification
			
		Robert Bosch Power Tools GmbH, 70538 Stuttgart, GERMANY Stuttgart, 16.05.2019	