

Robert Bosch Power Tools GmbH
70538 Stuttgart
GERMANY

www.bosch-pt.com

1 609 92A 4JV (2018.09) 0 / 31



1 609 92A 4JV

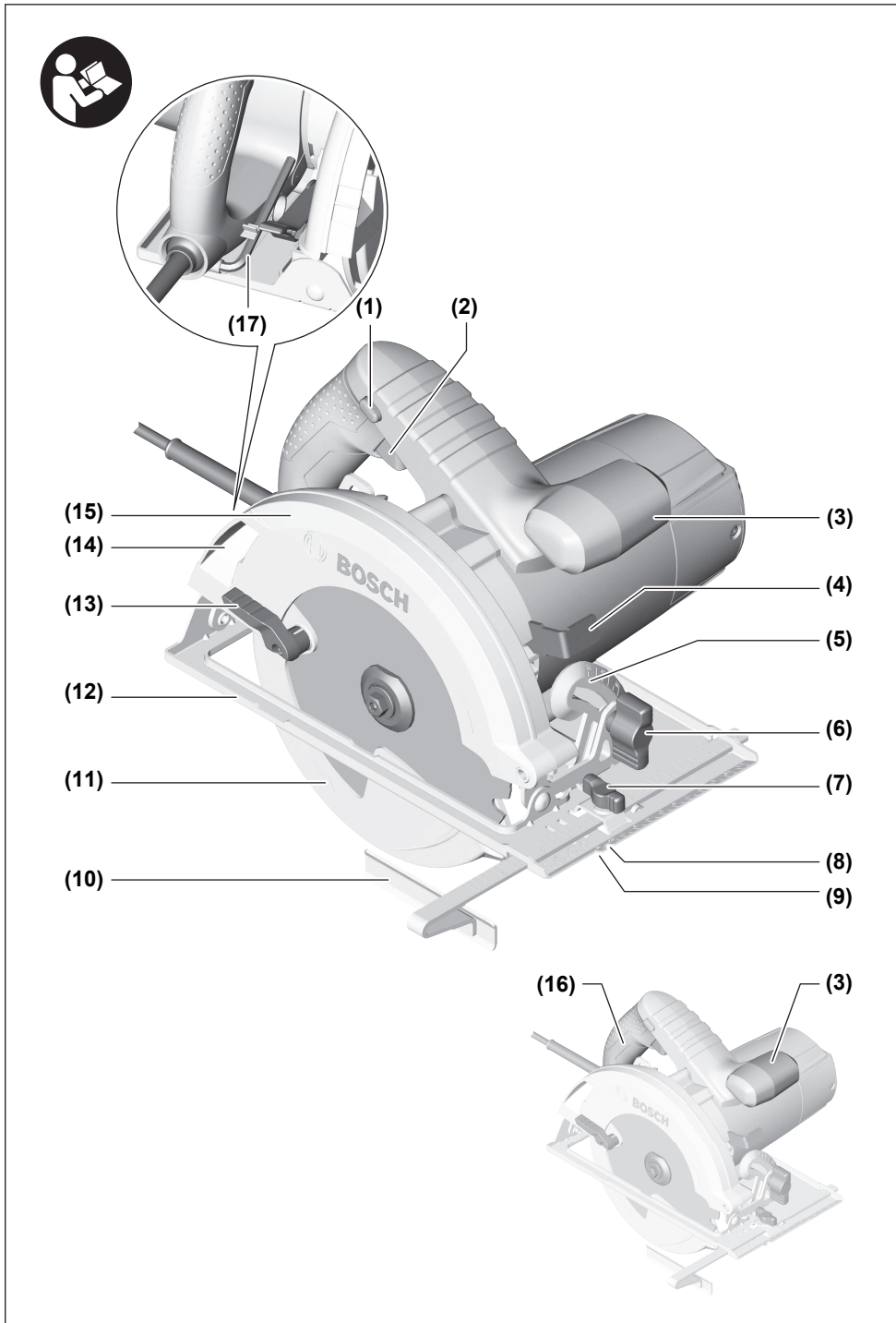
GKS 20-65 Professional

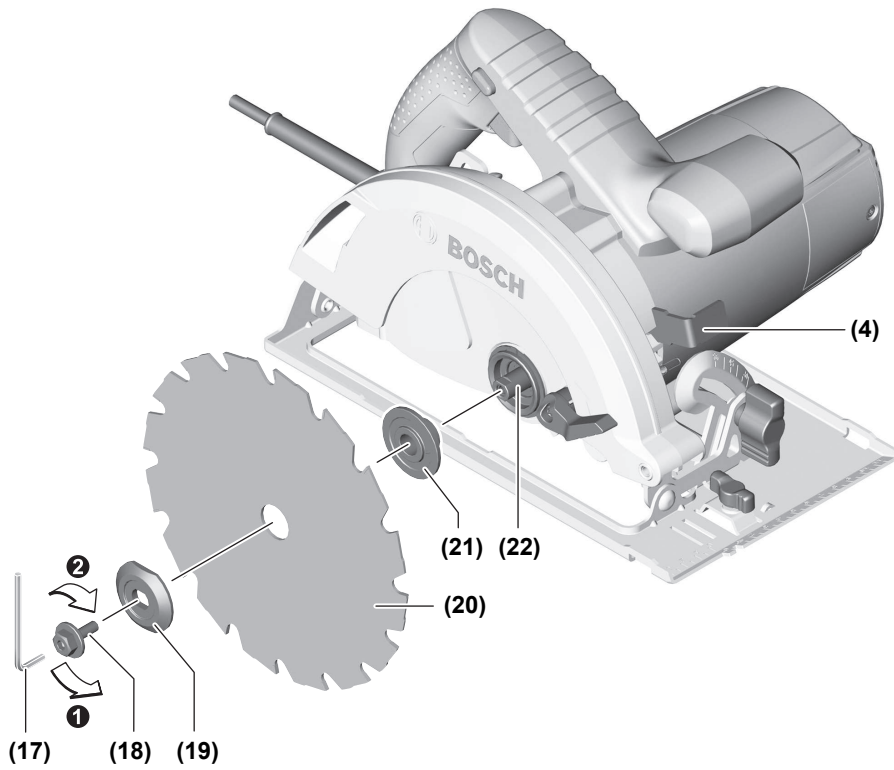
**HEAVY
DUTY**

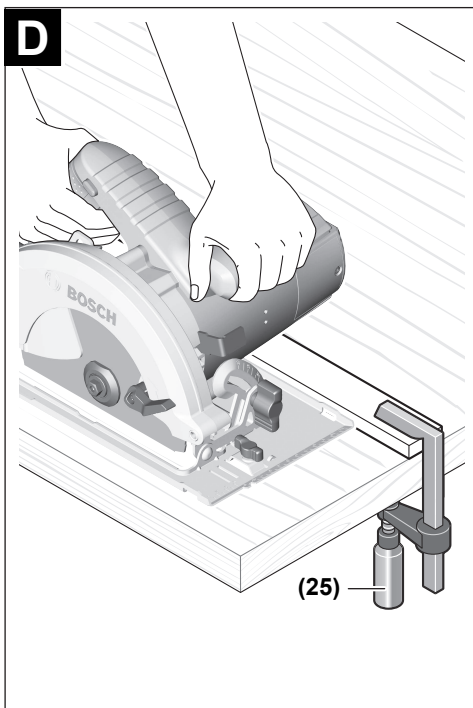
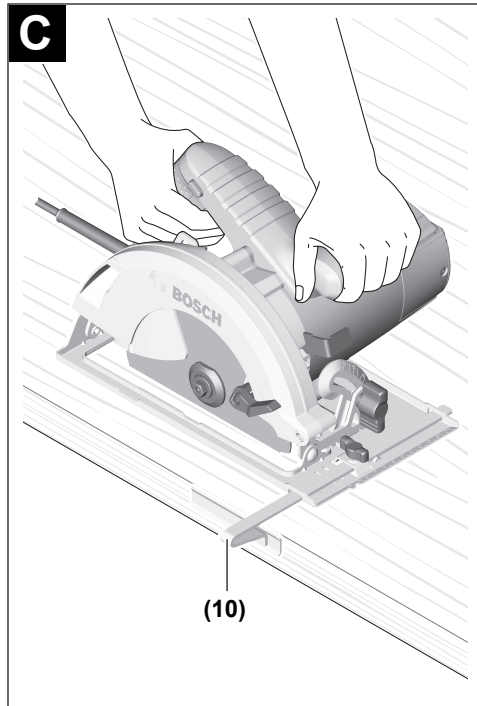
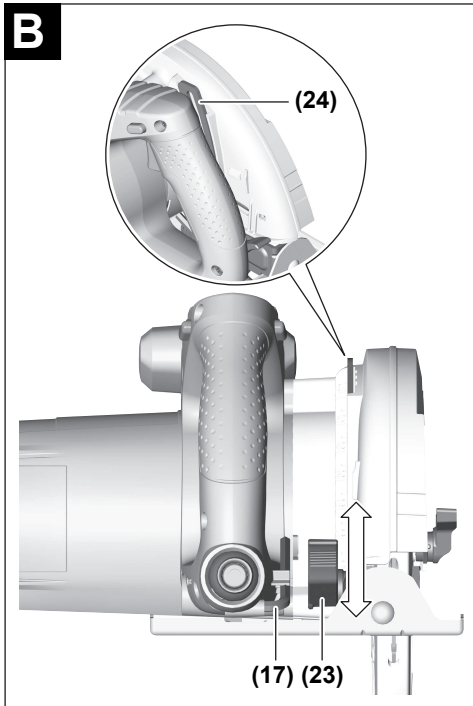


- en Original instructions
- pt Manual de instruções original
- es Manual original

English page 6
Português do Brasil Página 14
Español Página 20



A



English

Safety instructions

General Power Tool Safety Warnings

⚠ WARNING Read all safety warnings, instructions, illustrations and specifications provided with this power tool. Failure to follow all instructions listed below may result in electric shock, fire and/or serious injury.

Save all warnings and instructions for future reference.

The term "power tool" in the warnings refers to your mains-operated (corded) power tool or battery-operated (cordless) power tool.

Work area safety

- ▶ **Keep work area clean and well lit.** Cluttered or dark areas invite accidents.
- ▶ **Do not operate power tools in explosive atmospheres, such as in the presence of flammable liquids, gases or dust.** Power tools create sparks which may ignite the dust or fumes.
- ▶ **Keep children and bystanders away while operating a power tool.** Distractions can cause you to lose control.

Electrical safety

- ▶ **Power tool plugs must match the outlet. Never modify the plug in any way. Do not use any adapter plugs with earthed (grounded) power tools.** Unmodified plugs and matching outlets will reduce risk of electric shock.
- ▶ **Avoid body contact with earthed or grounded surfaces, such as pipes, radiators, ranges and refrigerators.** There is an increased risk of electric shock if your body is earthed or grounded.
- ▶ **Do not expose power tools to rain or wet conditions.** Water entering a power tool will increase the risk of electric shock.
- ▶ **Do not abuse the cord. Never use the cord for carrying, pulling or unplugging the power tool. Keep cord away from heat, oil, sharp edges or moving parts.** Damaged or entangled cords increase the risk of electric shock.
- ▶ **When operating a power tool outdoors, use an extension cord suitable for outdoor use.** Use of a cord suitable for outdoor use reduces the risk of electric shock.
- ▶ **If operating a power tool in a damp location is unavoidable, use a residual current device (RCD) protected supply.** Use of an RCD reduces the risk of electric shock.

Personal safety

- ▶ **Stay alert, watch what you are doing and use common sense when operating a power tool. Do not use a power tool while you are tired or under the influence of drugs, alcohol or medication.** A moment of inatten-

tion while operating power tools may result in serious personal injury.

- ▶ **Use personal protective equipment. Always wear eye protection.** Protective equipment such as a dust mask, non-skid safety shoes, hard hat or hearing protection used for appropriate conditions will reduce personal injuries.
- ▶ **Prevent unintentional starting. Ensure the switch is in the off-position before connecting to power source and/or battery pack, picking up or carrying the tool.** Carrying power tools with your finger on the switch or energising power tools that have the switch on invites accidents.
- ▶ **Remove any adjusting key or wrench before turning the power tool on.** A wrench or a key left attached to a rotating part of the power tool may result in personal injury.
- ▶ **Do not overreach. Keep proper footing and balance at all times.** This enables better control of the power tool in unexpected situations.
- ▶ **Dress properly. Do not wear loose clothing or jewellery. Keep your hair and clothing away from moving parts.** Loose clothes, jewellery or long hair can be caught in moving parts.
- ▶ **If devices are provided for the connection of dust extraction and collection facilities, ensure these are connected and properly used.** Use of dust collection can reduce dust-related hazards.
- ▶ **Do not let familiarity gained from frequent use of tools allow you to become complacent and ignore tool safety principles.** A careless action can cause severe injury within a fraction of a second.

Power tool use and care

- ▶ **Do not force the power tool. Use the correct power tool for your application.** The correct power tool will do the job better and safer at the rate for which it was designed.
- ▶ **Do not use the power tool if the switch does not turn it on and off.** Any power tool that cannot be controlled with the switch is dangerous and must be repaired.
- ▶ **Disconnect the plug from the power source and/or remove the battery pack, if detachable, from the power tool before making any adjustments, changing accessories, or storing power tools.** Such preventive safety measures reduce the risk of starting the power tool accidentally.
- ▶ **Store idle power tools out of the reach of children and do not allow persons unfamiliar with the power tool or these instructions to operate the power tool.** Power tools are dangerous in the hands of untrained users.
- ▶ **Maintain power tools and accessories. Check for misalignment or binding of moving parts, breakage of parts and any other condition that may affect the power tool's operation. If damaged, have the power tool repaired before use.** Many accidents are caused by poorly maintained power tools.

- ▶ **Keep cutting tools sharp and clean.** Properly maintained cutting tools with sharp cutting edges are less likely to bind and are easier to control.
- ▶ **Use the power tool, accessories and tool bits etc. in accordance with these instructions, taking into account the working conditions and the work to be performed.** Use of the power tool for operations different from those intended could result in a hazardous situation.
- ▶ **Keep handles and grasping surfaces dry, clean and free from oil and grease.** Slippery handles and grasping surfaces do not allow for safe handling and control of the tool in unexpected situations.

Service

- ▶ **Have your power tool serviced by a qualified repair person using only identical replacement parts.** This will ensure that the safety of the power tool is maintained.

Safety instructions for circular saws

Cutting procedures

- ▶ **⚠ DANGER: Keep hands away from cutting area and the blade. Keep your second hand on auxiliary handle, or motor housing.** If both hands are holding the saw, they cannot be cut by the blade.
- ▶ **Do not reach underneath the workpiece.** The guard cannot protect you from the blade below the workpiece.
- ▶ **Adjust the cutting depth to the thickness of the workpiece.** Less than a full tooth of the blade teeth should be visible below the workpiece.
- ▶ **Never hold the workpiece in your hands or across your leg while cutting. Secure the workpiece to a stable platform.** It is important to support the work properly to minimise body exposure, blade binding, or loss of control.
- ▶ **Hold the power tool by insulated gripping surfaces, when performing an operation where the cutting tool may contact hidden wiring or its own cord.** Contact with a "live" wire will also make exposed metal parts of the power tool "live" and could give the operator an electric shock.
- ▶ **When ripping always use a rip fence or straight edge guide.** This improves the accuracy of cut and reduces the chance of blade binding.
- ▶ **Always use blades with correct size and shape (diamond versus round) of arbour holes.** Blades that do not match the mounting hardware of the saw will run off-centre, causing loss of control.
- ▶ **Never use damaged or incorrect blade washers or bolt.** The blade washers and bolt were specially designed for your saw, for optimum performance and safety of operation.

Kickback causes and related warnings

- kickback is a sudden reaction to a pinched, jammed or misaligned saw blade, causing an uncontrolled saw to lift up and out of the workpiece toward the operator;

- when the blade is pinched or jammed tightly by the kerf closing down, the blade stalls and the motor reaction drives the unit rapidly back toward the operator;

- if the blade becomes twisted or misaligned in the cut, the teeth at the back edge of the blade can dig into the top surface of the wood causing the blade to climb out of the kerf and jump back toward the operator.

Kickback is the result of saw misuse and/or incorrect operating procedures or conditions and can be avoided by taking proper precautions as given below.

- ▶ **Maintain a firm grip with both hands on the saw and position your arms to resist kickback forces. Position your body to either side of the blade, but not in line with the blade.** Kickback could cause the saw to jump backwards, but kickback forces can be controlled by the operator, if proper precautions are taken.
- ▶ **When blade is binding, or when interrupting a cut for any reason, release the trigger and hold the saw motionless in the material until the blade comes to a complete stop. Never attempt to remove the saw from the work or pull the saw backward while the blade is in motion or kickback may occur.** Investigate and take corrective actions to eliminate the cause of blade binding.
- ▶ **When restarting a saw in the workpiece, centre the saw blade in the kerf so that the saw teeth are not engaged into the material.** If a saw blade binds, it may walk up or kickback from the workpiece as the saw is restarted.
- ▶ **Support large panels to minimise the risk of blade pinching and kickback.** Large panels tend to sag under their own weight. Supports must be placed under the panel on both sides, near the line of cut and near the edge of the panel.
- ▶ **Do not use dull or damaged blades.** Unsharpened or improperly set blades produce narrow kerf causing excessive friction, blade binding and kickback.
- ▶ **Blade depth and bevel adjusting locking levers must be tight and secure before making the cut.** If blade adjustment shifts while cutting, it may cause binding and kickback.
- ▶ **Use extra caution when sawing into existing walls or other blind areas.** The protruding blade may cut objects that can cause kickback.

Lower guard function

- ▶ **Check the lower guard for proper closing before each use. Do not operate the saw if the lower guard does not move freely and close instantly. Never clamp or tie the lower guard into the open position.** If the saw is accidentally dropped, the lower guard may be bent. Raise the lower guard with the retracting handle and make sure it moves freely and does not touch the blade or any other part, in all angles and depths of cut.
- ▶ **Check the operation of the lower guard spring. If the guard and the spring are not operating properly, they must be serviced before use.** Lower guard may operate

sluggishly due to damaged parts, gummy deposits, or a build-up of debris.

- ▶ **The lower guard may be retracted manually only for special cuts such as "plunge cuts" and "compound cuts". Raise the lower guard by the retracting handle and as soon as the blade enters the material, the lower guard must be released.** For all other sawing, the lower guard should operate automatically.
- ▶ **Always observe that the lower guard is covering the blade before placing the saw down on bench or floor.** An unprotected, coasting blade will cause the saw to walk backwards, cutting whatever is in its path. Be aware of the time it takes for the blade to stop after switch is released.

Additional safety warnings

- ▶ **Do not allow the chip ejector to come into contact with your hands.** You may be injured by rotating parts.
- ▶ **Do not use the saw above the level of your head.** Doing so will mean you have inadequate control of the power tool.
- ▶ **Use suitable detectors to determine if utility lines are hidden in the work area or call the local utility company for assistance.** Contact with electric lines can lead to fire and electric shock. Damaging a gas line can lead to explosion. Penetrating a water line causes property damage or may cause an electric shock.
- ▶ **Do not operate the power tool when stationary.** It is not suitable for operation with a saw table.
- ▶ **When performing plunge cuts which are not right-angled, secure the guide plate of the saw so that it will not shift sideways.** In the event of a sideways shift, the saw blade may become jammed, which could lead to kick-back.
- ▶ **Do not use HSS saw blades.** Such saw blades can easily break.
- ▶ **Do not saw any ferrous metals.** Hot chips may ignite the dust extractor.

Products sold in GB only:

Your product is fitted with an BS 1363/A approved electric plug with internal fuse (ASTA approved to BS 1362). If the plug is not suitable for your socket outlets, it should be cut off and an appropriate plug fitted in its place by an authorised customer service agent. The replacement plug should have the same fuse rating as the original plug.

The severed plug must be disposed of to avoid a possible shock hazard and should never be inserted into a mains socket elsewhere.

- ▶ **Always wait until the power tool has come to a complete stop before placing it down.** The application tool can jam and cause you to lose control of the power tool.
- ▶ **Hold the power tool firmly with both hands and make sure you have a stable footing.** The power tool can be more securely guided with both hands.

Product Description and Specifications



Read all the safety and general instructions.

Failure to observe the safety and general instructions may result in electric shock, fire and/or serious injury.

Please observe the illustrations at the beginning of this operating manual.

Intended use

The power tool is intended for making straight cuts in wood with and against the grain and mitre cuts in wood while resting firmly against the workpiece.

Product Features

The numbering of the product features refers to the diagram of the power tool on the graphics page.

- (1) On/off switch
- (2) Lock-off switch for on/off switch
- (3) Auxiliary handle (insulated gripping surface)^{A)}
- (4) Spindle lock button
- (5) Scale for mitre/bevel angles
- (6) Wing bolt for mitre/bevel angle preselection
- (7) Wing bolt for parallel guide
- (8) Cut mark 45°
- (9) Cut mark 0°
- (10) Parallel guide
- (11) Retracting blade guard
- (12) Base plate
- (13) Adjusting lever for retracting blade guard
- (14) Chip ejector
- (15) Protective guard
- (16) Handle (insulated gripping surface)
- (17) Hex key
- (18) Clamping bolt with washer
- (19) Clamping flange
- (20) Circular saw blade^{A)}
- (21) Mounting flange
- (22) Saw spindle with mounting flange
- (23) Clamping lever for cutting depth preselection
- (24) Cutting depth scale
- (25) Pair of screw clamps^{B)}

A) **Accessories shown or described are not included with the product as standard. You can find the complete selection of accessories in our accessories range.**

B) **Commercially available (not included in the scope of delivery)**

Technical Data

Hand-held circular saw		GKS 20-65
Article number		3 601 FB2 0..
Rated power input	W	2000
No-load speed	rpm	5300
Max. cutting depth with 184 mm saw blade diameter		
– at a 0° mitre/bevel angle	mm	62
– at a 45° mitre/bevel angle	mm	46
Spindle lock		
		●
Base plate dimensions	mm	302 x 160
Max. saw blade diameter	mm	184
Min. saw blade diameter	mm	184
Max. base blade thickness	mm	2.0
Locating bore	mm	15.9
Weight according to EPTA-Procedure 01:2014	kg	5.7
Protection class		□ / II

The specifications apply to a rated voltage [U] of 220 V. These specifications may vary at different voltages and in country-specific models.

Noise/Vibration Information

Noise emission values determined according to **EN 62841-2-5**.

Typically, the A-weighted noise level of the power tool is:
Sound pressure level **92** dB(A); sound power level **103** dB(A). Uncertainty K = 3 dB.

Wear hearing protection

Total vibration values a_h (triax vector sum) and uncertainty K determined according to **EN 62841-2-5**:

Sawing wood: $a_h < 1.4 \text{ m/s}^2$, K = **1.5** m/s^2

The vibration level and noise emission value given in these instructions have been measured in accordance with a standardised measuring procedure detailed in EN 62841 and may be used to compare power tools. They may also be used for a preliminary estimation of vibration and noise emissions.

The given vibration level and noise emission value represent the main applications of the power tool. However, if the power tool is used for other applications, with different application tools or is poorly maintained, the vibration level and noise emission value may differ. This may significantly increase the vibration and noise emissions over the total working period.

To estimate vibration and noise emissions accurately, the times when the tool is switched off or when it is running but not actually being used should also be taken into account. This may significantly reduce vibration and noise emissions over the total working period.

Implement additional safety measures to protect the operator from the effects of vibration, such as servicing the power tool and application tools, keeping the hands warm, and organising workflows correctly.

Fitting

- ▶ **Only use saw blades the maximum permitted speed of which is higher than the no-load speed of the power tool.**

Inserting/changing the circular saw blade

- ▶ **Pull the plug out of the socket before carrying out any work on the power tool.**
- ▶ **Wear protective gloves when fitting the saw blade.**
Danger of injury when touching the saw blade.
- ▶ **Only use saw blades that match the specifications given in this operating manual and on the power tool.**
- ▶ **The permitted speed of the application tool must be at least equal to the maximum speed marked on the power tool.** If accessories run faster than their rated speed, they may break and fly off.
- ▶ **Do not use abrasive wheels as the application tool under any circumstances.**

Removing the saw blade (see figure A)

To change tools, we recommend that you place the power tool down on the front side of the motor housing.

- Press and hold the spindle lock button **(4)**.
- ▶ **Do not press the spindle lock button (4) while the saw spindle is moving.** The power tool may become damaged if this happens.
- Use the hex key **(17)** to undo the clamping bolt **(18)** in rotational direction **⌚**.
- Swing the retracting blade guard **(11)** back and hold on to it firmly.
- Remove the clamping flange **(19)** and the saw blade **(20)** from the saw spindle **(22)**.


Selecting the saw blade

You will find an overview of recommended saw blades at the end of these operating instructions.

Fitting the saw blade (see figure A)

To change tools, we recommend that you place the power tool down on the front side of the motor housing.

- Clean the saw blade **(20)** and all the clamping elements to be fitted.
- Swing the retracting blade guard **(11)** back and hold on to it firmly.
- Place the saw blade **(20)** on the mounting flange **(21)**.
The cutting direction of the teeth (direction of the arrow on the saw blade) must match the rotational direction of the arrow on the protective guard **(11)**.
- Attach the clamping flange **(19)** and screw in the clamping bolt in rotational direction **⌚**. Ensure that the mounting flange **(21)** and clamping flange **(19)** are installed in the correct position.
- Press and hold the spindle lock button **(4)**.

- Use the hex key (17) to tighten the clamping bolt in rotational direction . The tightening torque should be 6–9 Nm, which corresponds to hand-tight plus ¼ turn.

Dust/chip extraction

The dust from materials such as lead paint, some types of wood, minerals and metal can be harmful to human health. Touching or breathing in this dust can trigger allergic reactions and/or cause respiratory illnesses in the user or in people in the near vicinity. Certain dusts, such as oak or beech dust, are classified as carcinogenic, especially in conjunction with wood treatment additives (chromate, wood preservative). Materials containing asbestos may only be machined by specialists.

- Use a dust extraction system that is suitable for the material wherever possible.
 - Provide good ventilation at the workplace.
 - It is advisable to wear a P2 filter class breathing mask.
- The regulations on the material being machined that apply in the country of use must be observed.

- ▶ **Avoid dust accumulation at the workplace.** Dust can easily ignite.

Operation

Operating modes

- ▶ **Pull the plug out of the socket before carrying out any work on the power tool.**

Setting the Cutting Depth (see figure B)

- ▶ **Adapt the cutting depth to the thickness of the workpiece.** A space of less than the height of one full tooth should be visible under the workpiece.

Loosen the clamping lever (23). For a smaller cutting depth, pull the saw away from the base plate (12); for a larger cutting depth, push the saw towards the base plate (12). Adjust the desired cutting depth at the cutting-depth scale. Retighten the clamping lever (23).

If you are unable to fully adjust the cutting depth after loosening the clamping lever (23), pull the clamping lever (23) away from the saw and swivel it downwards. Loosen the clamping lever (23) again. Repeat this process until the required cutting depth can be set.

The clamping force of the clamping lever (23) can be readjusted. To do so, unscrew the clamping lever (23) and retighten it in a position offset by at least 30° in an anticlockwise direction.

If you are unable to adequately fix the cutting depth after tightening the clamping lever (23), pull the clamping lever (23) away from the saw and swivel it upwards. Loosen the clamping lever (23) again. Repeat this process until the cutting depth is fixed.

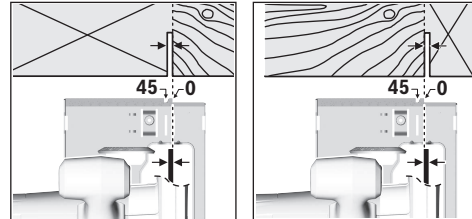
Adjusting the Mitre/Bevel Angle

We recommend that you place the power tool down on the front side of the protective guard (15).

Loosen the wing bolt (6). Swivel the saw to the side. Set the required mitre angle on the scale (5). Retighten the wing bolt (6).

Note: When making mitre cuts, the cutting depth is less than the value shown on the cutting depth scale (24).

Cut marks



The 0° cut mark (9) indicates the position of the saw blade when making a right-angled cut. The 45° cut mark (8) indicates the position of the saw blade when making a 45° cut.

For a precise cut, place the circular saw against the workpiece as shown in the figure. We recommend making a test cut.

Setting the Cutting Depth (see figure B)

- ▶ **Adapt the cutting depth to the thickness of the workpiece.** A space of less than the height of one full tooth should be visible under the workpiece.

Loosen the clamping lever (23). For a smaller cutting depth, pull the saw away from the base plate (12); for a larger cutting depth, push the saw towards the base plate (12). Adjust the desired cutting depth at the cutting-depth scale. Retighten the clamping lever (23).

If you are unable to fully adjust the cutting depth after loosening the clamping lever (23), pull the clamping lever (23) away from the saw and swivel it downwards. Loosen the clamping lever (23) again. Repeat this process until the required cutting depth can be set.

The clamping force of the clamping lever (23) can be readjusted. To do so, unscrew the clamping lever (23) and retighten it in a position offset by at least 30° in an anticlockwise direction.

If you are unable to adequately fix the cutting depth after tightening the clamping lever (23), pull the clamping lever (23) away from the saw and swivel it upwards. Loosen the clamping lever (23) again. Repeat this process until the cutting depth is fixed.

Start-up

- ▶ **Pay attention to the mains voltage. The voltage of the power source must match the voltage specified on the rating plate of the power tool. Power tools marked with 230 V can also be operated with 220 V.**
- ▶ **Products that are only sold in AUS and NZ:** Use a residual current device (RCD) with a nominal residual current of 30 mA or less.

Switching on/off

- ▶ **Make sure that you are able to press the On/Off switch without releasing the handle.**

To **start** the power tool, first press the lock-off switch **(2)**, **then** press and hold the on/off switch **(1)**.

To **switch off** the power tool, release the on/off switch **(1)**.

Note: For safety reasons, the on/off switch **(1)** cannot be locked; it must remain pressed during the entire operation.

Practical advice

- ▶ **Pull the plug out of the socket before carrying out any work on the power tool.**

Protect saw blades against shock and impact.

Guide the power tool evenly, pushing it gently in the cutting direction. Applying too much pressure to the power tool when moving it in the cutting direction significantly reduces the service life of the application tools and can damage the power tool.

The sawing performance and the quality of the cut essentially depend on the condition and the tooth shape of the saw blade. This is why you should only use sharp saw blades that are suitable for the material being machined.

Sawing wood

Choosing the right saw blade depends on the wood type, wood quality and whether cuts with or against the grain are required.

Making cuts in spruce with the grain produces long, spiral-shaped chips.

Beech and oak dust is especially detrimental to health. Therefore, work only with dust extraction.

Sawing with a parallel guide (see figure C)

The parallel guide **(10)** allows you to make precise cuts along the edge of a workpiece and cut strips with the same dimensions.

Loosen the wing bolt **(7)** and slide the scale of the parallel guide **(10)** through the guide in the base plate **(12)**. Adjust the desired cutting width as a scale value at the corresponding **(9)** or **(8)** cut mark, see the section "Cut marks". Retighten the wing bolt **(7)**.

Sawing with an auxiliary guide (see figure D)

For working on large workpieces or for cutting straight edges, you can securely fasten a board or rail to the workpiece as an auxiliary guide. The circular saw can be guided along the path of this auxiliary guide with the base plate.

Maintenance and Servicing**Maintenance and cleaning**

- ▶ **Pull the plug out of the socket before carrying out any work on the power tool.**
- ▶ **To ensure safe and efficient operation, always keep the power tool and the ventilation slots clean.**

The retracting blade guard must always be able to move freely and retract automatically. It is therefore important to

keep the area around the retracting blade guard clean at all times. Remove dust and chips with a paintbrush.

Non-coated saw blades can be protected against corrosion using a thin layer of acid-free oil. Remove the oil again before sawing as failure to do so will stain the wood.

Resin or glue residue on the saw blade has a detrimental effect on the quality of the cut. You should therefore clean saw blades straight after use.

In order to avoid safety hazards, if the power supply cord needs to be replaced, this must be done by Bosch or by a customer service centre that is authorised to repair Bosch power tools.

After-sales Service and Advice on Using Products

Our after-sales service can answer questions concerning product maintenance and repair, as well as spare parts. You can find exploded drawings and information on spare parts at: www.bosch-pt.com

The Bosch product use advice team will be happy to help you with any questions about our products and their accessories.

www.powertool-portal.de, the internet portal for tradespeople and DIY enthusiasts.

In all correspondence and spare parts orders, please always include the 10-digit article number given on the type plate of the product.

Cambodia

Robert Bosch (Cambodia) Co., Ltd
Unit 8BC, GT Tower, 08th Floor, Street 169,
Czechoslovakia Blvd, Sangkat Veal Vong
Khan 7 Makara, Phnom Penh
VAT TIN: 100 169 511
Tel.: +855 23 900 685
Tel.: +855 23 900 660
www.bosch.com.kh

People's Republic of China**China Mainland**

Bosch Power Tool (China) Co. Ltd.
Bosch Service Center
567, Bin Kang Road
Bin Kang District
Hangzhou, Zhejiang Province
China 310052
Tel.: (0571) 8887 5566 / 5588
Fax: (0571) 8887 6688 x 5566# / 5588#
E-mail: bsc.hz@cn.bosch.com
www.bosch-pt.com.cn

HK and Macau Special Administrative Regions

Robert Bosch Co. Ltd.
21st Floor, 625 King's Road
North Point, Hong Kong
Customer Service Hotline: +852 2101 0235
Fax: +852 2590 9762
E-mail: info@hk.bosch.com
www.bosch-pt.com.hk

India

Bosch Service Center
69, Habibullah Road, (next to PSBB School), T. Nagar
Chennai-600077

Phone: (044) 64561816

Bosch Service Center Rishyamook

85A, Panchkuin Road

New Delhi-110001

Phone: (011) 43166190

Bosch Service Center 79,

Crystal Bldg., Dr. Annie Besant Road, Worli

Mumbai-400018

Phone: (022) 39569936 / (022) 39569959 /

(022) 39569967 / (022) 24952071

Indonesia

PT Robert Bosch

Palma Tower 10th Floor

Jalan RA Kartini II-S Kaveling 6

Pondok Pinang, Kebayoran Lama

Jakarta Selatan 12310

Tel.: (21) 3005-5800

www.bosch-pt.co.id

Malaysia

Robert Bosch Sdn. Bhd. (220975-V) PT/SMY

No. 8A, Jalan 13/6

46200 Petaling Jaya

Selangor

Tel.: (03) 79663194

Toll-Free: 1800 880188

Fax: (03) 79583838

E-mail: kiathoe.chong@my.bosch.com

www.bosch-pt.com.my

Pakistan

Robert Bosch Middle East FZE – Pakistan Liaison Office

2nd Floor Plaza # 10, CCA Block, DHA Phase 5

Lahore, 54810

Phone: +92(303)4444311

E-mail: Faisal.Khan@bosch.com

Philippines

Robert Bosch, Inc.

28th Floor Fort Legend Towers,

3rd Avenue corner 31st Street,

Fort Bonifacio, Global City,

1634 Taguig City

Tel.: (632) 8703871

Fax: (632) 8703870

www.bosch-pt.com.ph

Singapore

Powerwell Service Centre Ptd Ltd

Bosch Authorised Service Centre (Power Tools)

4012 Ang Mo Kio Ave 10, #01-02 TECHplace

Singapore 569628

Tel.: 6452 1770

Fax: 6452 1760

E-mail: ask@powerwellsc.com

www.powerwellsc.com

www.bosch-pt.com.sg

Thailand

Robert Bosch Ltd.

Liberty Square Building

No. 287, 11 Floor

Silom Road, Bangrak

Bangkok 10500

Tel.: 02 6393111

Fax: 02 2384783

Robert Bosch Ltd., P. O. Box 2054

Bangkok 10501

www.bosch.co.th

Bosch Service – Training Centre

La Salle Tower Ground Floor Unit No.2

10/11 La Salle Moo 16

Srinakharin Road

Bangkaew, Bang Plee

Samutprakarn 10540

Tel.: 02 7587555

Fax: 02 7587525

Vietnam

Branch of Bosch Vietnam Co., Ltd in HCMC

14th floor, Deutsches Haus, 33 Le Duan

Ben Nghe Ward, District 1, Ho Chi Minh City

Tel.: (028) 6258 3690

Fax: (028) 6258 3692 - 6258 3694

Hotline: (028) 6250 8555

E-mail: tuvankhachhang-pt@vn.bosch.com

www.bosch-pt.com.vn

Armenia, Azerbaijan, Georgia, Kyrgyzstan, Mongolia, Tajikistan, Turkmenistan, Uzbekistan

TOO "Robert Bosch" Power Tools, After Sales Service

Rayimbek Ave., 169/1

050050, Almaty, Kazakhstan

Service e-mail: service.pt.ka@bosch.com

Official website: www.bosch.com, www.bosch-pt.com

Bahrain

Hatem Al Juffali Technical Equipment Establishment.

Kingdom of Bahrain, Setra Highway, Al Aker Area

Phone: +966126971777-311

Fax: +97317704257

E-mail: h.berjas@ejb.com.sa

Egypt

Unimar

20 Markaz kadmat

El tagmoa EL Aoul – New Cairo

Phone: +20 2224 76091-95

Phone: +20 2224 78072-73

Fax: +20222478075

E-mail: adelzaki@unimaregypt.com

Iran

Robert Bosch Iran

3rd Floor, No 3, Maadiran Building

Aftab St., Khodami St., Vanak Sq.

Tehran 1994834571

Phone: +9821 86092057

Iraq

Sahba Technology Group

Al Muthana airport road

Baghdad
 Phone: +9647901906953
 Phone Dubai: +97143973851
 E-mail: bosch@sahbatechnology.com

Jordan

Roots Arabia – Jordan
 Nasser Bin Jameel street, Building 37 Al Rabiah
 11194 Amman
 Phone: +962 6 5545778
 E-mail: bosch@rootsjordan.com

Kuwait

Al Qurain Automotive Trading Company
 Shuwaikh Industrial Area, Block 1, Plot 16, Street 3rd
 P.O. Box 164 – Safat 13002
 Phone: 24810844
 Fax: 24810879
 E-mail: josephkr@aaalmutawa.com

Lebanon

Tehini Hana & Co. S.A.R.L.
 P.O. Box 90-449
 Jdeideh
 Dora-Beirut
 Phone: +9611255211
 E-mail: service-pt@tehini-hana.com

Libya

El Naser for Workshop Tools
 Swanee Road, Alfalah Area
 Tripoli
 Phone: +218 21 4811184
 Oman

Malatan Trading & Contracting LLC
 P.O. Box 131
 Ruwi, 112 Sultanate of Oman
 Phone: +968 99886794
 E-mail: malatanpowertools@malatan.net

Qatar

International Construction Solutions W L L
 P. O. Box 51,
 Doha Phone: +974 40065458
 Fax: +974 4453 8585
 E-mail: csd@icsdoha.com

Saudi Arabia

Juffali Technical Equipment Co. (JTECO)
 Kilo 14, Madinah Road, Al Bawadi District
 Jeddah 21431
 Phone: +966 2 6672222 Ext. 1528
 Fax: +966 2 6676308
 E-mail: roland@ejb.com.sa

Syria

Dallal Establishment for Power Tools
 P.O. Box 1030
 Aleppo
 Phone: +963212116083
 E-mail: rita.dallal@hotmail.com

United Arab Emirates

Central Motors & Equipment LLC, P.O. Box 1984
 Al-Wahda Street – Old Sana Building
 Sharjah
 Phone: +971 6 593 2777
 Fax: +971 6 533 2269
 E-mail: powertools@centralmotors.ae

Yemen

Abualrejal Trading Corporation
 Sana'a Zubairy St. Front to new Parliament Building
 Phone: +967-1-202010
 Fax: +967-1-279029
 E-mail: tech-tools@abualrejal.com

Ethiopia

Forever plc
 Kebele 2,754, BP 4806,
 Addis Ababa
 Phone: +251 111 560 600
 E-mail: foreverplc@ethionet.et

Ghana

C.WOERMANN LTD.
 Nsawam Road/Avenor Junction, P.O. Box 1779
 Accra Phone: +233 302 225 141

Kenya

Robert Bosch East Africa Ltd
 Mpaka Road P.O. Box 856
 00606 Nairobi

Nigeria

Robert Bosch Nigeria Ltd.
 52–54 Isaac John Street P.O. Box
 GRA Ikeja – Lagos

Republic of South Africa

Customer service

Hotline: (011) 6519600

Gauteng – BSC Service Centre

35 Roper Street, New Centre
 Johannesburg
 Tel.: (011) 4939375
 Fax: (011) 4930126
 E-mail: bsctools@icon.co.za

KZN – BSC Service Centre

Unit E, Almar Centre
 143 Crompton Street
 Pinetown
 Tel.: (031) 7012120
 Fax: (031) 7012446
 E-mail: bsc.dur@za.bosch.com

Western Cape – BSC Service Centre

Democracy Way, Prosperity Park
 Milnerton
 Tel.: (021) 5512577
 Fax: (021) 5513223
 E-mail: bsc@zsd.co.za

Bosch Headquarters

Midrand, Gauteng
 Tel.: (011) 6519600
 Fax: (011) 6519880
 E-mail: rbsa-hq.pts@za.bosch.com

Tanzania

Diesel & Autoelectric Service Ltd.
117 Nyerere Rd., P.O. Box 70839
Vingunguti 12109, Dar Es Salaam
Phone: +255 222 861 793/794

Australia, New Zealand and Pacific Islands

Robert Bosch Australia Pty. Ltd.
Power Tools
Locked Bag 66
Clayton South VIC 3169
Customer Contact Center
Inside Australia:
Phone: (01300) 307044
Fax: (01300) 307045
Inside New Zealand:
Phone: (0800) 543353
Fax: (0800) 428570
Outside AU and NZ:
Phone: +61 3 95415555
www.bosch-pt.com.au
www.bosch-pt.co.nz

Disposal

The power tool, accessories and packaging should be recycled in an environmentally friendly manner.



Do not dispose of power tools along with household waste.

Português do Brasil**Indicações de segurança****Instruções gerais de segurança para ferramentas elétricas****⚠️ AVISO**

Leia todas as indicações de segurança, instruções, ilustrações e especificações fornecidas com esta ferramenta elétrica. O desrespeito das instruções apresentadas abaixo poderá resultar em choque elétrico, incêndio e/ou ferimentos graves.

Guarde todas as advertências e instruções para futura referência.

O termo "ferramenta elétrica" usado nas advertências refere-se a ferramentas elétricas operadas com corrente de rede (com fio) ou ferramentas elétricas operadas com acumulador (sem fio).

Segurança da área de trabalho

- ▶ **Mantenha a área de trabalho limpa e bem iluminada.** As áreas de trabalho desarrumadas ou escuras podem levar a acidentes.
- ▶ **Não opere as ferramentas elétricas em atmosferas explosivas, ou seja, na presença de líquidos, gases ou pós inflamáveis.** As ferramentas elétricas produzem chispas, que podem inflamar os pós ou vapores.
- ▶ **Mantenha as crianças e outras pessoas afastadas da ferramenta elétrica durante o uso.** As distrações podem resultar na perda do controle.

Segurança elétrica

- ▶ **A ficha de conexão da ferramenta elétrica deve combinar com a tomada. Jamais modifique o plugue de alguma forma. Não use plugues de adaptador junto com ferramentas elétricas aterradas.** Plugues não modificados e tomadas apropriadas reduzem o risco de choque elétrico.
- ▶ **Evite o contato do corpo com superfícies aterradas, como tubos, aquecedores, fogões e geladeiras.** Há um risco elevado de choque elétrico se seu corpo estiver aterrado.
- ▶ **Mantenha as ferramentas elétricas afastadas da chuva ou umidade.** A entrada de água em uma ferramenta elétrica aumenta o risco de choque elétrico.
- ▶ **Não use o cabo para outras finalidades. Jamais use o cabo para transportar, puxar ou desconectar a ferramenta elétrica. Mantenha o cabo afastado do calor, do óleo, de arestas afiadas ou de partes móveis.** Os cabos danificados ou emaranhados aumentam o risco de um choque elétrico.
- ▶ **Ao operar uma ferramenta elétrica ao ar livre, use um cabo de extensão adequado para áreas exteriores.** O uso de um cabo de extensão apropriado para áreas exteriores reduz o risco de choque elétrico.
- ▶ **Se não for possível evitar o funcionamento da ferramenta elétrica em áreas úmidas, deverá usar um disjuntor de corrente de avaria.** O uso de um disjuntor de corrente de avaria reduz o risco de um choque elétrico.

Segurança pessoal

- ▶ **Esteja atento, observe o que está fazendo e use o bom senso ao operar uma ferramenta elétrica. Não use uma ferramenta elétrica quando estiver fatigado ou sob a influência de drogas, álcool ou medicamentos.** Um momento de descuido ao operar ferramentas elétricas pode resultar em lesões graves.
- ▶ **Use equipamento de proteção individual. Use sempre óculos de proteção.** O uso de equipamento de proteção individual, como máscara de proteção contra poeira, sapatos de segurança antiderrapantes, capacete de segurança ou proteção auricular, usado nas condições adequadas irá reduzir o risco de ferimentos pessoais.
- ▶ **Evite a colocação em funcionamento involuntária. Assegure-se de que o interruptor está na posição de**

desligado antes de conectar à alimentação de rede e/ou ao acumulador, antes de pegar ou transportar a ferramenta. Se transportar ferramentas elétricas com o seu dedo no interruptor ou se energizar ferramentas elétricas com o interruptor ligado, poderão ocorrer acidentes.

- ▶ **Remova qualquer ferramenta ou chave de ajuste antes de ligar a ferramenta elétrica.** Uma ferramenta ou chave ainda ligada a uma parte rotativa da ferramenta elétrica pode resultar em ferimentos pessoais.
- ▶ **Evite uma posição anormal. Mantenha uma posição firme e mantenha sempre o equilíbrio.** Desta forma é mais fácil controlar a ferramenta elétrica em situações inesperadas.
- ▶ **Use vestuário apropriado. Não use roupa larga nem joias. Mantenha seus cabelos e roupas afastados de partes móveis.** As roupas largas, joias ou cabelos longos podem ser agarrados por partes móveis.
- ▶ **Se for possível montar dispositivos de aspiração ou de coleta, assegure-se de que são conectados e usados corretamente.** O uso de um dispositivo de coleta de poeira pode reduzir os riscos associados a poeiras.
- ▶ **Não deixe que a familiaridade resultante do uso frequente de ferramentas permita que você se torne complacente e ignore os princípios de segurança da ferramenta.** Uma ação descuidada pode causar ferimentos graves numa fração de segundo.

Uso e manuseio cuidadoso da ferramenta elétrica

- ▶ **Não sobrecarregue a ferramenta elétrica. Use a ferramenta elétrica correta para a sua aplicação.** É melhor e mais seguro trabalhar com a ferramenta elétrica apropriada na área de potência para a qual foi projetada.
- ▶ **Não use a ferramenta elétrica se o interruptor estiver defeituoso.** Qualquer ferramenta elétrica que não pode mais ser controlada com o interruptor é perigosa e deve ser reparada.
- ▶ **Desconecte o plugue da alimentação e/ou remova o acumulador, se amovível, da ferramenta elétrica antes de efetuar ajustes, trocar acessórios ou guardas as ferramentas elétricas.** Essas medidas de segurança preventivas reduzem o risco de partida involuntária da ferramenta elétrica.
- ▶ **Guarde as ferramentas elétricas não utilizadas fora do alcance das crianças e não permita que as pessoas que não estejam familiarizadas com a ferramenta elétrica ou com essas instruções usem a ferramenta elétrica.** As ferramentas elétricas são perigosas nas mãos de usuários não treinados.
- ▶ **Trate as ferramentas elétricas e acessórios com cuidado. Verifique se existe desalinhamento ou emperramento das partes móveis, se há peças quebradas ou outra condição que possa afetar o funcionamento da ferramenta elétrica. Se houver danos, repare a ferramenta elétrica antes do uso.** Muitos acidentes são causados ferramentas elétricas com manutenção insuficiente.


- ▶ **Mantenha as ferramentas de corte afiadas e limpas.** As ferramentas de corte cuidadosamente mantidas e com arestas de corte afiadas emperram com menos frequência e são mais fáceis de controlar.
- ▶ **Use a ferramenta elétrica, acessórios, bits etc. de acordo com essas instruções, considerando as condições de trabalho e o trabalho a executar.** O uso da ferramenta elétrica em tarefas diferentes das previstas poderá resultar em uma situação perigosa.
- ▶ **Mantenha as empunhaduras e as superfícies de agarrar secas, limpas e livres de óleo e graxa.** As empunhaduras e superfícies de agarrar escorregadias não permitem o manuseio e controle seguros da ferramenta em situações inesperadas.

Serviço

- ▶ **Somente permita que a sua ferramenta elétrica seja reparada por pessoal qualificado e usando peças de reposição originais.** Só dessa forma é assegurada a segurança da ferramenta elétrica.

Instruções de segurança para serras circulares

Procedimentos de corte

- ▶  **PERIGO: Manter as mãos afastadas da área de corte e do disco. Mantenha a segunda mão no punho auxiliar ou na carcaça do motor.** Se ambas as mãos estiverem segurando a serra, elas não podem ser cortadas pelo disco.
- ▶ **Não coloque as mãos por baixo da peça de trabalho.** A proteção não o pode proteger do disco por baixo da peça de trabalho.
- ▶ **Ajuste a profundidade de corte à espessura da peça de trabalho.** Deve ficar visível por baixo da peça de trabalho menos de um dente completo dos dentes do disco.
- ▶ **Nunca segure a peça que está sendo cortada nas mãos ou sobre as pernas. Fixe a peça de trabalho a uma plataforma estável.** É importante apoiar o trabalho corretamente para minimizar a exposição do corpo, o bloqueio do disco ou a perda de controle.
- ▶ **Segure a ferramenta elétrica pelas superfícies isoladas de manuseio, ao realizar uma operação onde o acessório de corte pode entrar em contato com a fiação não aparente ou seu próprio cabo.** O contato com um fio energizado também tornará "vivas" as partes metálicas expostas da ferramenta elétrica e pode causar choque elétrico ao operador.
- ▶ **Ao cortar use sempre a guia de corte ou a guia de aresta reta.** Isso melhora a precisão do corte e reduz a possibilidade de bloqueio do disco.
- ▶ **Use sempre discos com furos interiores com tamanho e forma corretos (diamante versus redondo).** Os discos que não correspondem com a montagem na serra ficam fora de centro, causando a perda de controle.
- ▶ **Jamais use anilhas ou parafusos de disco de serra danificados ou incorretos.** As anilhas e os parafusos de disco de serra foram especialmente projetados para sua

serra, para um excelente desempenho e uma operação segura.

Causas do contragolpe e indicações relacionadas

- O contragolpe é uma reação súbita a um disco de serra encravado, bloqueado ou desalinhado, causando um levantamento descontrolado da serra se afastando da peça na direção do operador;

- Quando o disco é encravado ou fortemente bloqueado à medida que o corte aperta, o disco estagna e a reação do motor conduz a unidade rapidamente de volta na direção do operador;

- Se o disco ficar torcido ou desalinhado no corte, os dentes na extremidade posterior do disco podem mergulhar na superfície da madeira fazendo com que o disco suba saindo do corte e salte de volta na direção do operador.

O contragolpe é o resultado do uso errado e/ou condições ou procedimentos incorretos de utilização da serra e pode ser evitado tomando as precauções indicadas abaixo.

- ▶ **Mantenha a serra bem segura com as duas mãos e posicione os braços para resistir às forças de contragolpe. Posicione o corpo de um dos lados do disco, mas não alinhado com o disco.** O contragolpe poderia fazer com que a serra saltasse para trás, mas as forças de contragolpe podem ser controladas pelo operador, se forem tomadas as devidas precauções.
- ▶ **Quando o disco está bloqueando ou ao interromper um corte por qualquer motivo, liberte o disparador e segure a serra sem a mover no material até o disco parar completamente. Nunca tente remover a serra da peça de trabalho, puxando a serra para trás enquanto o disco está em movimento ou pode ocorrer um contragolpe.** Investigue e tome medidas corretivas para eliminar a causa do bloqueio do disco.
- ▶ **Ao voltar a colocar a serra na peça de trabalho, centre o disco de serra no corte para que os dentes da serra não fiquem encaixados no material.** Se o disco de serra estiver bloqueando, pode subir ou fazer contragolpe da peça de trabalho quando a serra é reiniciada.
- ▶ **Suporte os painéis grandes para minimizar o risco de compressão do disco e de contragolpe.** Os painéis grandes tendem a abater sob seu próprio peso. Os suportes têm de ser colocados por baixo do painel de ambos os lados, próximo da linha de corte e próximo da extremidade do painel.
- ▶ **Não use discos rombos ou danificados.** Discos não afiados ou incorretamente colocados produzem um corte estreito, causando uma fricção excessiva, o bloqueio do disco e contragolpe.
- ▶ **A profundidade do disco e as alavancas de bloqueio de ajuste do chanfro têm de estar apertadas e seguras antes de fazer o corte.** Se o ajuste do disco se deslocar durante o corte, pode causar bloqueio ou contragolpe.
- ▶ **Tome precauções redobradas ao serrar paredes ou áreas sem visibilidade.** O disco saliente pode cortar objetos, o que pode causar contragolpe.

Funcionamento da proteção inferior

- ▶ **Verifique se a proteção inferior fecha devidamente antes de cada utilização. Não utilize a serra se a proteção inferior não se mover livremente ou não fechar instantaneamente. Nunca fixe ou ate a proteção inferior na posição aberta.** Se a serra cair acidentalmente, a proteção inferior pode ficar dobrada. Levante a proteção inferior com a empunhadura retrátil e se certifique de que se move livremente e não toca no disco ou em outra peça, em todos os ângulos e profundidades de corte.
- ▶ **Verifique a operação da mola da proteção inferior. Se a proteção e a mola não estiverem funcionando devidamente, têm de ser alvo de uma reparação antes da utilização.** A proteção inferior pode operar lentamente devido a peças danificadas, a depósitos de goma ou à acumulação de resíduos.
- ▶ **A proteção inferior pode ser retraída manualmente apenas para cortes especiais como "cortes de imersão" e "cortes compostos". Levante a proteção inferior, retraindo a empunhadura, e assim que o disco entrar no material a proteção inferior tem de ser libertada.** Para todos os outros trabalhos de serragem, a proteção inferior deve ser operada automaticamente.
- ▶ **Observe sempre se a proteção inferior está cobrindo o disco antes de pousar a serra na bancada ou no chão.** Um disco não protegido em marcha livre irá fazer com que a serra ande para trás, cortando tudo o que se atravessar em seu caminho. Tenha atenção ao tempo que demora para o disco parar depois que o interruptor é libertado.

Instruções de segurança adicionais

- ▶ **Não insira as mãos na remoção de aparas.** Você pode sofrer ferimentos nas peças em rotação.
- ▶ **Não trabalhe com a serra acima do nível da cabeça.** Se o fizer, não terá controle suficiente sobre a ferramenta elétrica.
- ▶ **Utilizar detectores apropriados, para encontrar cabos escondidos, ou consultar a companhia elétrica local.** O contato com cabos elétricos pode provocar fogo e choques elétricos. Danos em tubos de gás podem levar a explosões. A penetração em um cano de água causa danos materiais ou pode provocar um choque elétrico.
- ▶ **Não opere a ferramenta elétrica de forma estacionária.** Ela não é adequada para o funcionamento com mesa de serrar.
- ▶ **Ao fazer um "corte de imersão" que não é executado em ângulo reto, proteja a placa de guia contra deslocamento lateral.** Um deslocamento lateral pode fazer com que o disco de serra emperre, provocando um contragolpe.
- ▶ **Não use discos de serra de aço HSS.** Eles podem quebrar facilmente.
- ▶ **Não serre metais ferrosos.** As aparas quentes podem incendiar o sistema de aspiração de pó.

- ▶ **Espera a ferramenta elétrica parar completamente, antes de depositá-la.** O acessório acoplável pode emperrar e levar à perda de controle sobre a ferramenta elétrica.
- ▶ **Durante o trabalho, segure a ferramenta elétrica com as duas mãos e providencie uma estabilidade segura.** A ferramenta elétrica se deixa conduzir de forma segura com as duas mãos.

Descrição do produto e especificações



Ler todas as indicações de segurança e instruções. O desrespeito das advertências e das instruções de segurança apresentadas abaixo pode causar choque elétrico, incêndio e/ou graves lesões.

Respeite as ilustrações na parte da frente do manual de instruções.

Utilização adequada

A ferramenta elétrica destina-se a fazer cortes longitudinais e transversais em bases fixas com traçado de corte reto e em meia-esquadria em madeira.

Componentes ilustrados

A numeração dos componentes ilustrados refere-se à apresentação da ferramenta elétrica na página de esquemas.

- (1) Interruptor de ligar/desligar
- (2) Bloqueio de ligação para o interruptor de ligar/desligar
- (3) Punho adicional (superfícies do punho isoladas)^{A)}
- (4) Tecla de bloqueio do eixo
- (5) Escala do ângulo de meia-esquadria
- (6) Parafuso borboleta para pré-seleção de ângulos de meia-esquadria
- (7) Parafuso borboleta para o limitador paralelo
- (8) Marcação de corte 45°
- (9) Marcação de corte 0°
- (10) Limitador paralelo
- (11) Capa de proteção pendular inferior
- (12) Placa de base
- (13) Alavanca de ajuste para a capa de proteção pendular inferior
- (14) Expulsão de aparas
- (15) Cobertura de proteção
- (16) Punho (superfície isolada)
- (17) Chave de sextavado interno
- (18) Parafuso de aperto com arruela
- (19) Flange de aperto
- (20) Disco de serra circular^{A)}
- (21) Flange de admissão
- (22) Fuso da serra com flange de admissão
- (23) Alavanca de aperto para pré-seleção da profundidade do corte
- (24) Escala de profundidade de corte
- (25) Par de grampos^{B)}

- A) **Acessórios apresentados ou descritos não pertencem ao volume de fornecimento. Todos os acessórios encontram-se no nosso catálogo de acessórios.**
- B) **disponível no mercado convencional (não incluído no volume de fornecimento)**

Dados técnicos

Serra circular manual	GKS 20-65	
Nº do produto		3 601 FB2 0..
Potência nominal consumida	W	2000
Nº de rotações por min (sem carga)	rpm	5300
Profundidade máx. de corte com diâmetro de disco de serra de 184 mm		
– com ângulo de meia-esquadria de 0°	mm	62
– com ângulo de meia-esquadria de 45°	mm	46
Trava do eixo		●
Dimensões placa base	mm	302 x 160
Diâmetro máx. do disco de serra	mm	184
Diâmetro mín. do disco de serra	mm	184
máx. espessura do corpo da serra	mm	2,0
Furo de centragem	mm	15,9
Peso conforme EPTA-Procedure 01:2014	kg	5,7
Classe de proteção		□/II

Os dados são válidos para uma tensão nominal [U] de 220 V. No caso de tensões divergentes e em versões específicas do país, estes dados podem variar.

Informação sobre ruídos/vibrações

Os valores de emissão de ruído foram determinados de acordo com **EN 62841-2-5**.

O nível sonoro avaliado A da ferramenta elétrica é normalmente: nível de pressão sonora **92 dB(A)**; nível de potência sonora **103 dB(A)**. Incerteza K=3 dB.

Usar protetor auricular!

Valores totais de vibração a_{hv} (soma vetorial nas três direções) e incerteza K determinada em função da

EN 62841-2-5:

Serrar madeira: $a_{hv} < 1,4 \text{ m/s}^2$, K = 1,5 m/s^2

O nível de vibrações indicado nestas instruções e o valor de emissão de ruído foram medidos de acordo com um método

de medição padronizado pela norma EN 62841 e podem ser usados para comparar ferramentas elétricas entre si. Também são adequados para uma avaliação preliminar das emissões de vibrações e ruído.

O nível de vibrações indicado e o valor de emissão de ruído representam as principais aplicações da ferramenta elétrica. No entanto, se a ferramenta elétrica for usada para outras aplicações, com diferentes acessórios acopláveis ou com manutenção insuficiente, o nível de vibrações e o valor de emissão de ruído podem ser diferentes. Isso pode aumentar significativamente as emissões de vibrações e ruído durante todo o período de trabalho.

Para uma estimativa precisa das emissões de vibrações e ruído, também devem ser considerados os momentos em que a ferramenta está desligada ou em funcionamento, mas não está realmente em uso. Isso pode reduzir significativamente as emissões de vibrações e ruído durante todo o período de trabalho.

Além disso também deverão ser estipuladas medidas de segurança para proteger o operador contra o efeito de vibrações, como por exemplo: a manutenção das ferramentas elétricas e dos acessórios acopláveis, mãos quentes durante o trabalho e a organização dos processos de trabalho.

Montagem

- ▶ **Use apenas discos de serra, cuja velocidade máxima permitida é superior à rotação em vazio de sua ferramenta elétrica.**

Introduzir/substituir o disco de serra circular

- ▶ **Antes de todos trabalhos na ferramenta elétrica, retirar o plugue da tomada.**
- ▶ **Para a montagem do disco de serra é necessário usar luvas de proteção.** Há perigo de lesões no caso de contato com o disco de serra.
- ▶ **Só utilizar discos de serra que correspondam aos dados característicos indicados nesta instrução de serviço e na ferramenta elétrica.**
- ▶ **O número de rotações permitido do acessório acoplável tem de ser pelo menos tão elevado como o número de rotações máximo indicado na ferramenta elétrica.** Acessórios que girem mais rápido do que permitido, podem quebrar e serem atirados para longe.
- ▶ **Jamais usar discos abrasivos como ferramentas de trabalho.**

Desmontar o disco de serra (ver figura A)

Para trocar o disco de serra, é recomendável apoiar a ferramenta elétrica sobre o lado do motor.

- Pressionar a tecla de bloqueio do veio (4) e manter premida.
- ▶ **Acionar a tecla de bloqueio do veio (4) apenas com o veio de serra parado.** Caso contrário, a ferramenta elétrica pode ficar danificada.

- Desapertar com a chave sextavada interior (17) o parafuso de fixação (18) no sentido ①.
- Oscilar a capa de proteção pendular (11) para trás e segurar a mesma.
- Retire o flange de aperto (19) e o disco de serra (20) do veio da serra (22).

Selecionar o disco de serra

No final desta instrução de serviço encontra-se uma vista geral dos discos de serra recomendadas.

Montar o disco de serra (ver figura A)

Para trocar o disco de serra, é recomendável apoiar a ferramenta elétrica sobre o lado do motor.

- Limpar o disco de serra (20) e todas as peças de fixação.
- Oscilar a capa de proteção pendular (11) para trás e segurar a mesma.
- Colocar o disco de serra (20) no flange de admissão (21). O sentido de corte dos dentes (direção da seta no disco da serra) e a direção da seta de rotação na tampa de proteção (11) têm de coincidir.
- Colocar o flange de aperto (19) e apertar o parafuso de fixação no sentido ②. Prestar atenção à posição de montagem do flange de admissão (21) e do flange de aperto (19).
- Pressionar a tecla de bloqueio do veio (4) e manter premida.
- Apertar com a chave sextavada interior (17) o parafuso de fixação no sentido ②. O torque de aperto deve ser de 6–9 Nm, o que significa à mão e mais um ¼ de volta.

Aspiração de pó/de aparas

Pós de materiais, como por exemplo, tintas que contêm chumbo, alguns tipos de madeira, minerais e metais, podem ser nocivos à saúde. O contato com o pó ou sua inalação pode provocar reações alérgicas e/ou doenças nas vias respiratórias do utilizador ou das pessoas que se encontrem por perto.

Certos pós, como por exemplo pó de carvalho e faia são considerados cancerígenos, especialmente quando juntos com substâncias para o tratamento de madeiras (cromato, preservadores de madeira). Material que contém amianto só deve ser processado por pessoal especializado.

- Se possível, deverá utilizar uma aspiração de pó.
- Assegurar uma boa ventilação do local de trabalho.
- É recomendável usar uma máscara de proteção respiratória com filtro da classe P2.

Observe as diretrizes, vigentes no seu país, relativas aos materiais a serem trabalhados.

- ▶ **Evitar acúmulos de pó no local de trabalho.** Pós podem se inflamar levemente.

Funcionamento

Tipos de funcionamento

- ▶ **Antes de todos trabalhos na ferramenta elétrica, retirar o plugue da tomada.**

Ajustar profundidade de corte (ver figura B)

- ▶ **Adaptar a profundidade de corte à espessura da peça.**
Menos do que uma completa altura de dente deve estar visível sob a peça a ser trabalhada.

Liberar a alavanca de aperto (23). Para uma profundidade de corte mais pequena, afastar a serra da placa base (12), para uma profundidade de corte maior pressionar a serra em direção à placa base (12). Ajustar a medida desejada na escala de profundidade de corte. Apertar novamente a alavanca de aperto (23).

Se não conseguir ajustar completamente a profundidade de corte depois de liberar a alavanca de aperto (23), puxe a alavanca de aperto (23) para longe da serra e vire-a para baixo. Voltar a soltar a alavanca de aperto (23). Repetir este processo até ser possível ajustar a profundidade de corte desejada.

A força de aperto do alavanca de aperto (23) pode ser reajustada. Para isso, desapertar a alavanca de aperto (23) e voltar a apertar a alavanca deslocada em pelo menos 30° para a esquerda.

Se não conseguir fixar o suficiente a profundidade de corte depois de apertar a alavanca de aperto (23), puxe a alavanca de aperto (23) para longe da serra e vire-a para cima. Voltar a soltar a alavanca de aperto (23). Repetir este processo até a profundidade de corte estar fixada

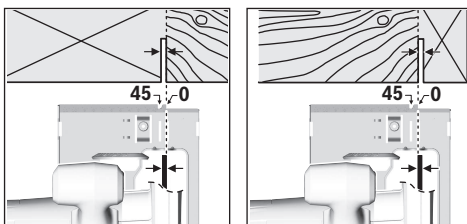
Escala do ângulo de meia-esquadria

Colocar preferencialmente a ferramenta elétrica no lado frontal da tampa de proteção (15).

Liberar o parafuso de orelhas (6). Deslocar lateralmente o disco de serra. Ajustar a medida desejada na escala (5). Voltar a apertar o parafuso de orelhas (6).

Nota: Nos cortes de meia-esquadria, a profundidade de corte é inferior ao valor indicado na escala de profundidade de corte (24).

Marcações de corte



A marcação de corte 0° (9) indica a posição do disco de serra no corte em ângulo reto. A marcação de corte 45° (8) indica a posição do disco de serra no corte em 45°.

Para um corte exato, deverá colocar o disco de serra sobre a peça, como indicado na figura. Executar, de preferência, um corte de ensaio.

Ajustar profundidade de corte (ver figura B)

- ▶ **Adaptar a profundidade de corte à espessura da peça.**
Menos do que uma completa altura de dente deve estar visível sob a peça a ser trabalhada.

Liberar a alavanca de aperto (23). Para uma profundidade de corte mais pequena, afastar a serra da placa base (12), para uma profundidade de corte maior pressionar a serra em direção à placa base (12). Ajustar a medida desejada na escala de profundidade de corte. Apertar novamente a alavanca de aperto (23).

Se não conseguir ajustar completamente a profundidade de corte depois de liberar a alavanca de aperto (23), puxe a alavanca de aperto (23) para longe da serra e vire-a para baixo. Voltar a soltar a alavanca de aperto (23). Repetir este processo até ser possível ajustar a profundidade de corte desejada.

A força de aperto do alavanca de aperto (23) pode ser reajustada. Para isso, desapertar a alavanca de aperto (23) e voltar a apertar a alavanca deslocada em pelo menos 30° para a esquerda.

Se não conseguir fixar o suficiente a profundidade de corte depois de apertar a alavanca de aperto (23), puxe a alavanca de aperto (23) para longe da serra e vire-a para cima. Voltar a soltar a alavanca de aperto (23). Repetir este processo até a profundidade de corte estar fixada

Colocação em funcionamento

- ▶ **Observar a tensão de rede! A tensão da fonte de corrente elétrica deve coincidir com a indicada na chapa de identificação da ferramenta elétrica. As ferramentas elétricas assinaladas com 230 V também podem ser operadas com 220 V.**

Ligar e desligar

- ▶ **Certifique-se de que consegue acionar o interruptor de ligar/desligar sem ter de soltar o punho.**

Para a **colocação em funcionamento** da ferramenta elétrica, empurrar primeiro o bloqueio de ligação (2) e pressionar **de seguida** o interruptor de ligar/desligar (1) e manter premido.

Para **desligar** a ferramenta elétrica, soltar o interruptor de ligar/desligar (1).

Nota: Por motivos de segurança o interruptor de ligar/desligar (1) não pode ser travado, tem de permanecer continuamente pressionado durante o funcionamento.

Indicações de trabalho

- ▶ **Antes de todos trabalhos na ferramenta elétrica, retirar o plugue da tomada.**

Proteger os discos de serra contra golpes e pancadas.

Conduzir a ferramenta elétrica uniformemente e com avanço moderado no sentido de corte. Um avanço muito forte reduz

substancialmente a vida útil do disco de serra e pode danificar a ferramenta elétrica.

A potência de serragem e a qualidade de corte dependem do estado e da forma dos dentes do disco de serra. Portanto só deverá utilizar discos de serra afiados e apropriados para o material a ser trabalhado.

Serrar madeira

A seleção correta do disco de serra depende do tipo e da qualidade da madeira e se devem ser executados cortes longitudinais ou transversais.

Cortes longitudinais em aberto são produzidas aparas em formato espiral.

O pó de faia e carvalho são especialmente prejudiciais à saúde, por isso trabalhe com sistema de aspiração de pó.

Serrar com limitador paralelo (ver figura C)

O limitador paralelo (10) permite cortes exatos ao longo da aresta da peça ou cortar tiras iguais.

Soltar o parafuso de orelhas (7) e introduzir a escala do limitador paralelo (10) pelo guia da placa base (12). Ajustar a largura de corte desejada com valor de escala na respectiva marcação de corte (9) ou (8), ver seção "Marcações de corte". Voltar a apertar o parafuso de orelhas (7).

Serrar com limitador auxiliar (ver figura D)

Para trabalhar peças maiores ou para cortar lados retos, é possível fixar uma tábua ou ripa, como limitador auxiliar, à peça a ser trabalhada e conduzir a serra circular com a placa de base ao longo do limitador auxiliar.

Manutenção e serviço

Manutenção e limpeza

- ▶ **Antes de todos trabalhos na ferramenta elétrica, retirar o plugue da tomada.**
- ▶ **Manter a ferramenta elétrica e as aberturas de ventilação sempre limpas, para trabalhar bem e de forma segura.**

A capa de proteção pendular deve sempre movimentar-se livremente e fechar-se automaticamente. Portanto deverá sempre manter a área em volta da capa de proteção pendular limpa. Remova pó e aparas com um pincel.

Discos de serra não revestidos podem ser protegidos contra surgimento de corrosão por uma fina camada de óleo livre de ácido. Remover o óleo antes de serrar, caso contrário poderão surgir nódulos na madeira.

Resíduos de resina ou de aglutinante no disco de serra reduzem a qualidade de corte. Portanto deverá sempre limpar o disco de serra imediatamente após a utilização.

Se for necessário substituir o cabo de conexão, isto deverá ser realizado pela Bosch ou por uma oficina de serviço pós-venda autorizada para todas as ferramentas elétricas Bosch para evitar riscos de segurança.

Serviço pós-venda e assistência ao cliente

O serviço pós-venda responde às suas perguntas a respeito de serviços de reparação e de manutenção do seu produto, assim como das peças sobressalentes. Desenhos explodidos e informações sobre peças sobressalentes também em:

www.bosch-pt.com

A equipe de consultores Bosch esclarece com prazer todas as suas dúvidas a respeito dos nossos produtos e acessórios.

www.powertool-portal.de, o portal de Internet para profissionais e aficionados.

Indique em todas as questões ou encomendas de peças sobressalentes impreterivelmente a referência de 10 dígitos de acordo com a placa de características do produto.

Brasil

Robert Bosch Ltda. – Divisão de Ferramentas Elétricas
Caixa postal 1195 – CEP: 13065-900
Campinas – SP
Tel.: 0800 7045 446
www.bosch.com.br/contato

Angola

InvestGlobal
Parque Logístico
Estrada de Viana Km 12
Luanda
Tel. : +212 948 513 580
E-Mail: helderribeiro@investglobal-ang.com

Descarte

Ferramentas elétricas, acessórios e embalagens devem ser enviados a uma reciclagem ecológica de matérias primas.



Não jogar as ferramentas elétricas no lixo doméstico!

Español

Indicaciones de seguridad

Indicaciones generales de seguridad para herramientas eléctricas

⚠ ADVERTEN- CIA Lea integralmente las advertencias de peligro, las instrucciones, las ilustraciones y las especificaciones entregadas con esta herramienta eléctrica.

En caso de no atenerse a las instrucciones siguientes, ello puede ocasionar una descarga eléctrica, un incendio y/o una lesión grave.

Guardar todas las advertencias de peligro e instrucciones para futuras consultas.

El término "herramienta eléctrica" empleado en las siguientes advertencias de peligro se refiere a herramientas eléctricas.

cas de conexión a la red (con cable de red) y a herramientas eléctricas accionadas por acumulador (sin cable de red).

Seguridad del puesto de trabajo

- ▶ **Mantenga el área de trabajo limpia y bien iluminada.** Las áreas desordenadas u oscuras pueden provocar accidentes.
- ▶ **No utilice herramientas eléctricas en un entorno con peligro de explosión, en el que se encuentren combustibles líquidos, gases o material en polvo.** Las herramientas eléctricas producen chispas que pueden llegar a inflamar los materiales en polvo o vapores.
- ▶ **Mantenga alejados a los niños y otras personas de su puesto de trabajo al emplear la herramienta eléctrica.** Una distracción le puede hacer perder el control sobre la herramienta eléctrica.

Seguridad eléctrica

- ▶ **El enchufe de la herramienta eléctrica debe corresponder a la toma de corriente utilizada. No es admisible modificar el enchufe en forma alguna. No emplear adaptadores en herramientas eléctricas dotadas con una toma de tierra.** Los enchufes sin modificar adecuados a las respectivas tomas de corriente reducen el riesgo de una descarga eléctrica.
- ▶ **Evite que su cuerpo toque partes conectadas a tierra como tuberías, radiadores, cocinas y refrigeradores.** El riesgo a quedar expuesto a una sacudida eléctrica es mayor si su cuerpo tiene contacto con tierra.
- ▶ **No exponga la herramienta eléctrica a la lluvia o a condiciones húmedas.** Existe el peligro de recibir una descarga eléctrica si penetran ciertos líquidos en la herramienta eléctrica.
- ▶ **No abuse del cable de red. No utilice el cable de red para transportar o colgar la herramienta eléctrica, ni tire de él para sacar el enchufe de la toma de corriente. Mantenga el cable de red alejado del calor, aceite, esquinas cortantes o piezas móviles.** Los cables de red dañados o enredados pueden provocar una descarga eléctrica.
- ▶ **Al trabajar con la herramienta eléctrica a la intemperie utilice solamente cables de prolongación apropiados para su uso al aire libre.** La utilización de un cable de prolongación adecuado para su uso en exteriores reduce el riesgo de una descarga eléctrica.
- ▶ **Si fuese imprescindible utilizar la herramienta eléctrica en un entorno húmedo, es necesario conectarla a través de un dispositivo de corriente residual (RCD) de seguridad (fusible diferencial).** La aplicación de un fusible diferencial reduce el riesgo a exponerse a una descarga eléctrica.

Seguridad de personas

- ▶ **Esté atento a lo que hace y emplee sentido común cuando utilice una herramienta eléctrica. No utilice la herramienta eléctrica si estuviese cansado, ni tampoco después de haber consumido drogas, alcohol o me-**

dicamentos. El no estar atento durante el uso de la herramienta eléctrica puede provocarle serias lesiones.

- ▶ **Utilice un equipo de protección personal. Utilice siempre una protección para los ojos.** El riesgo a lesionarse se reduce considerablemente si se utiliza un equipo de protección adecuado como una mascarilla antipolvo, zapatos de seguridad con suela antideslizante, casco, o protectores auditivos.
- ▶ **Evite una puesta en marcha involuntaria. Asegúrese de que la herramienta eléctrica esté desconectada antes de conectarla a la toma de corriente y/o al montar el acumulador, al recogerla y al transportarla.** Si transporta la herramienta eléctrica sujetándola por el interruptor de conexión/desconexión, o si alimenta la herramienta eléctrica estando ésta conectada, ello puede dar lugar a un accidente.
- ▶ **Retire las herramientas de ajuste o llaves fijas antes de conectar la herramienta eléctrica.** Una herramienta de ajuste o llave fija colocada en una pieza rotante puede producir lesiones al poner a funcionar la herramienta eléctrica.
- ▶ **Evite posturas arriesgadas. Trabaje sobre una base firme y mantenga el equilibrio en todo momento.** Ello le permitirá controlar mejor la herramienta eléctrica en caso de presentarse una situación inesperada.
- ▶ **Lleve puesta una vestimenta de trabajo adecuada. No utilice vestimenta amplia ni joyas. Mantenga su pelo y vestimenta alejados de las piezas móviles.** La vestimenta suelta, el pelo largo y las joyas se pueden enganchar con las piezas en movimiento.
- ▶ **Si se proporcionan dispositivos para la conexión de las instalaciones de extracción y recogida de polvo, asegúrese que éstos estén conectados y que sean utilizados correctamente.** El empleo de estos equipos reduce los riesgos derivados del polvo.
- ▶ **No permita que la familiaridad ganada por el uso frecuente de herramientas eléctricas lo deje caer en la complacencia e ignore las normas de seguridad de herramientas.** Una acción negligente puede causar lesiones graves en una fracción de segundo.

Uso y trato cuidadoso de herramientas eléctricas

- ▶ **No sobrecargue la herramienta eléctrica. Utilice la herramienta eléctrica adecuada para su aplicación.** Con la herramienta eléctrica adecuada podrá trabajar mejor y más seguro dentro del margen de potencia indicado.
- ▶ **No utilice la herramienta eléctrica si el interruptor está defectuoso.** Las herramientas eléctricas que no se puedan conectar o desconectar son peligrosas y deben hacerse reparar.
- ▶ **Saque el enchufe de la red y/o retire el acumulador desmontable de la herramienta eléctrica, antes de realizar un ajuste, cambiar de accesorio o al guardar la herramienta eléctrica.** Esta medida preventiva reduce el riesgo a conectar accidentalmente la herramienta eléctrica.

- ▶ **Guarde las herramientas eléctricas fuera del alcance de los niños. No permita la utilización de la herramienta eléctrica a aquellas personas que no estén familiarizadas con su uso o que no hayan leído estas instrucciones.** Las herramientas eléctricas utilizadas por personas inexpertas son peligrosas.
- ▶ **Cuide las herramientas eléctricas y los accesorios. Controle la alineación de las piezas móviles, rotura de piezas y cualquier otra condición que pudiera afectar el funcionamiento de la herramienta eléctrica. En caso de daño, la herramienta eléctrica debe repararse antes de su uso.** Muchos de los accidentes se deben a herramientas eléctricas con un mantenimiento deficiente.
- ▶ **Mantenga los útiles limpios y afilados.** Los útiles mantenidos correctamente se dejan guiar y controlar mejor.
- ▶ **Utilice la herramienta eléctrica, los accesorios, los útiles, etc. de acuerdo a estas instrucciones, considerando en ello las condiciones de trabajo y la tarea a realizar.** El uso de herramientas eléctricas para trabajos diferentes de aquellos para los que han sido concebidas puede resultar peligroso.
- ▶ **Mantenga las empuñaduras y las superficies de las empuñaduras secas, limpias y libres de aceite y grasa.** Las empuñaduras y las superficies de las empuñaduras resbaladizas no permiten un manejo y control seguro de la herramienta eléctrica en situaciones imprevistas.

Servicio

- ▶ **Únicamente deje reparar su herramienta eléctrica por un experto cualificado, empleando exclusivamente piezas de repuesto originales.** Solamente así se mantiene la seguridad de la herramienta eléctrica.

Indicaciones de seguridad para sierras circulares

Procedimientos de corte

- ▶ **⚠ PELIGRO: Mantenga las manos alejadas del área de corte y de la hoja. Mantenga la mano no dominante en la empuñadura auxiliar o en la carcasa del motor.** Si las dos manos están sujetando la sierra, no pueden sufrir cortes con la hoja.
- ▶ **No meta la mano por debajo de la pieza de trabajo.** La protección no le puede proteger de la hoja por debajo de la pieza de trabajo.
- ▶ **Ajuste la profundidad de corte al grosor de la pieza de trabajo.** Por debajo de la pieza de trabajo debe sobresalir menos de la superficie completa de los dientes de la hoja.
- ▶ **Nunca sostenga la pieza de trabajo en sus manos o sobre sus piernas durante el corte. Fije la pieza de trabajo a una plataforma estable.** Es importante tener un apoyo adecuado durante el trabajo para minimizar la exposición del cuerpo, atascos de la hoja o la pérdida del control.
- ▶ **Sujete la herramienta eléctrica por las superficies de agarre aislantes al realizar trabajos en los que el útil de corte pueda llegar a tocar conductores eléctricos**

ocultos o su propio cable. El contacto con conductores "bajo tensión" puede hacer que las partes metálicas expuestas queden "bajo tensión" y le provoquen una descarga eléctrica.

- ▶ **Al ranurar, utilice siempre una protección para ranurar o una guía de borde recto.** Esto mejora la precisión del corte y reduce la posibilidad de que la hoja se atasque.
- ▶ **Utilice siempre hojas con agujeros de eje del tamaño y la forma correctos (de diamante/redondas).** Las hojas que no coincidan con el mecanismo de montaje de la sierra se descentrarán y provocarán una pérdida del control.
- ▶ **Nunca utilice arandelas o pernos dañados o incorrectos.** Las arandelas y los pernos de la hoja fueron diseñados especialmente para su sierra, para el funcionamiento óptimo y la seguridad del funcionamiento.

Causas del contragolpe y advertencias al respecto

- el contragolpe es una reacción repentina a una hoja de sierra apretada, atascada o desalineada, causando que una sierra incontrolada se levante y salga de la pieza de trabajo hacia el operador;

- cuando la hoja se aprieta o atasca firmemente por el cierre del corte, la hoja se detiene y la reacción del motor conduce la unidad rápidamente hacia atrás al operador;

- si la hoja se tuerce o desalinea en el corte, los dientes de la parte posterior de la hoja pueden cavar en la superficie superior de la madera causando que la hoja salga del corte y salte de regreso hacia el operador.

El retroceso es ocasionado por la mala aplicación y/o el incorrecto manejo o condiciones de la sierra. Es posible evitarlo ateniéndose a las medidas preventivas que a continuación se detallan.

- ▶ **Sujete la sierra firmemente con las dos manos y mantenga los brazos en una posición propicia para resistir las fuerzas de reacción. Colóquese con el cuerpo a uno u otro lado de la hoja, pero no en línea con la misma.** El retroceso podría hacer que la hoja saltase hacia atrás, pero el usuario puede controlar las fuerzas de retroceso si se toman las precauciones adecuadas.
- ▶ **Si la hoja se atasca o si se interrumpe el corte por cualquier razón, suelte el gatillo y mantenga la sierra quieta en el material hasta que se detenga completamente la hoja. No intente nunca sacar la sierra de la pieza de trabajo o tirar de la sierra hacia atrás con la hoja aún en marcha; de lo contrario, puede tener lugar un contragolpe.** Determine la causa del atascamiento de la hoja y tome medidas correctivas.
- ▶ **Al reanudar el trabajo con la sierra en la pieza de trabajo, centre la hoja de la sierra en el corte de forma que los dientes de la sierra no queden clavados en el material.** Si se encasquilla la hoja, al volver a arrancar la sierra podría salirse de la pieza de trabajo o retroceder bruscamente.
- ▶ **En caso de utilizar paneles grandes, utilice apoyos para minimizar el riesgo de que la hoja se atasque y retroceda.** Los paneles grandes tienden a curvarse por su

propio peso. El panel deberá apoyarse por ambos lados desde abajo tanto cerca de la línea de corte como cerca del borde del panel.

- ▶ **No utilice hojas de sierra sin filo o dañadas.** Hojas de sierra sin filo o mal colocadas producen un corte estrecho que causa una fricción excesiva, el apriete de la hoja y el retroceso.
- ▶ **Las palancas de bloqueo del ajuste de la profundidad y del bisel de la hoja deben estar aseguradas y firmes antes de hacer el corte.** Si el ajuste de la hoja se desplaza al cortar, puede hacer que esta se atasque y retroceda.
- ▶ **Tenga mucho cuidado al serrar en paredes existentes u otras zonas no visibles.** La hoja de sierra sobresaliente puede cortar objetos que pueden causar un contragolpe.

Función de la protección inferior

- ▶ **Compruebe que la protección inferior esté bien cerrada antes de cada uso. No ponga en marcha la sierra si la protección inferior no se mueve libremente y se cierra de inmediato. Nunca sujete ni ate la protección inferior en la posición abierta.** Si la sierra se cae accidentalmente, la protección inferior puede doblarse. Levante la protección inferior con el asa retráctil y asegúrese de que se mueva libremente y de que no toque la hoja ni ninguna otra pieza en todos los ángulos y profundidades de corte.
- ▶ **Compruebe el funcionamiento del resorte de la protección inferior. Si la protección y el resorte no funcionan correctamente, deben repararse antes de utilizarlos.** Es posible que la protección inferior funcione con dificultades a causa de piezas dañadas, depósitos pegajosos o acumulaciones de residuos.
- ▶ **La protección inferior puede retraerse manualmente sólo para cortes especiales como "cortes por inmersión" y "cortes compuestos". Levante la protección inferior retrayendo el asa y en cuanto la hoja se introduzca en el material, la protección inferior debe estar liberada.** Para todos los demás aserrados, la protección inferior debe funcionar automáticamente.
- ▶ **Siempre observe que la protección inferior cubra la hoja antes de colocarla en un banco o piso.** Una hoja desprotegida puede causar que la sierra se mueva hacia atrás, cortando lo que esté en su camino. Tenga en cuenta el tiempo que tarda la hoja en pararse después de soltar el interruptor.

Indicaciones de seguridad adicionales

- ▶ **No acerque sus manos a la expulsión de la viruta.** Usted puede sufrir lesiones en las partes rotatorias.
- ▶ **No trabaje por encima de la cabeza con la sierra.** Así, no tiene suficiente control sobre la herramienta eléctrica.
- ▶ **Utilice unos aparatos de exploración adecuados para detectar conductores o tuberías ocultas, o consulte a sus compañías abastecedoras.** El contacto con conductores eléctricos puede provocar un incendio o una electrocución. Al dañar una tubería de gas puede producirse una explosión. La perforación de una tubería de agua pue-

de redundar en daños materiales o provocar una electrocución.

- ▶ **No opere la herramienta eléctrica de forma estacionaria.** No está diseñada para funcionar con una mesa de sierra.
- ▶ **En un "corte por inmersión", que no se realiza en ángulo recto, asegure la placa guía de la sierra contra el movimiento lateral.** Un desplazamiento lateral puede conducir al atascamiento de la hoja de sierra y así al retroceso.
- ▶ **No use hojas de sierra de acero HSS.** Las hojas de sierra de este tipo pueden romperse fácilmente.
- ▶ **No mecanice con la sierra metales ferrosos.** Las virutas calientes pueden encender los polvos aspirados.
- ▶ El enchufe macho de conexión, debe ser conectado solamente a un enchufe hembra de las mismas características técnicas del enchufe macho en materia.
- ▶ **Espera a que se haya detenido la herramienta eléctrica antes de depositarla.** El útil puede engancharse y hacerle perder el control sobre la herramienta eléctrica.
- ▶ **Durante el trabajo, sostenga firmemente la herramienta eléctrica con ambas manos y cuide una posición segura.** Utilizando ambas manos la herramienta eléctrica es guiada de forma más segura.

Descripción del producto y servicio



Lea íntegramente estas indicaciones de seguridad e instrucciones. Las faltas de observación de las indicaciones de seguridad y de las instrucciones pueden causar descargas eléctricas, incendios y/o lesiones graves.

Por favor, observe las ilustraciones en la parte inicial de las instrucciones de servicio.

Utilización reglamentaria

La herramienta eléctrica ha sido diseñada para trabajar sobre una base firme y realizar cortes longitudinales o transversales perpendiculares, o a inglete, en madera.

Componentes principales

La numeración de los componentes está referida a la imagen de la herramienta eléctrica en la página ilustrada.

- (1) Interruptor de conexión/desconexión
- (2) Bloqueo de conexión para interruptor de conexión/desconexión
- (3) Empuñadura adicional (zona de agarre aislada) ^{A)}
- (4) Tecla de bloqueo del husillo
- (5) Escala para el ángulo de inglete
- (6) Tornillo de mariposa para preselección del ángulo de inglete
- (7) Tornillo de mariposa de tope paralelo
- (8) Marca de corte 45°
- (9) Marca de corte 0°

- (10) Tope paralelo
- (11) Caperuza protectora pendular
- (12) Placa base
- (13) Palanca de ajuste de la caperuza protectora pendular
- (14) Expulsor de virutas
- (15) Caperuza protectora
- (16) Empuñadura (zona de agarre aislada)
- (17) Llave macho hexagonal
- (18) Tornillo de apriete con arandela
- (19) Brida tensora
- (20) Hoja de sierra circular^{A)}
- (21) Brida de apoyo
- (22) Husillo de sierra con brida de apoyo
- (23) Palanca para preselección de la profundidad de corte
- (24) Escala de profundidad de corte
- (25) Pareja de tornillos de apriete^{B)}

A) Los accesorios descritos e ilustrados no corresponden al material que se adjunta de serie. La gama completa de accesorios opcionales se detalla en nuestro programa de accesorios.

B) usual en el comercio (no contenido en el volumen de suministro)

Datos técnicos

Sierra circular portátil		GKS 20-65
Número de artículo		3 601 FB2 0..
Potencia absorbida nominal	W	2000
Revoluciones en vacío	min ⁻¹	5300
máx. profundidad de corte con diámetro de hoja de sierra de 184 mm		
– con ángulo de inglete 0°	mm	62
– con ángulo de inglete 45°	mm	46
Bloqueo del husillo		●
Dimensiones de placa base	mm	302 x 160
máx. diámetro de hoja de sierra	mm	184
mín. diámetro de hoja de sierra	mm	184
máx. grosor del disco base	mm	2,0
Diámetro del orificio	mm	15,9
Peso según EPTA-Procedure 01:2014	kg	5,7
Clase de protección		□/II

Estos datos son válidos para una tensión nominal de [U] 220 V. Estas indicaciones pueden variar con tensiones divergentes y en ejecuciones específicas del país.

Información sobre ruidos y vibraciones

Valores de emisión de ruido determinados según **EN 62841-2-5**.

El nivel de ruidos valorado con A de la herramienta eléctrica asciende típicamente a: nivel de presión acústica **92 dB(A)**; nivel de potencia acústica **103 dB(A)**. Inseguridad K = **3 dB**.

¡Llevar una protección auditiva!

Valores totales de vibraciones a_{h1} (suma de vectores de tres direcciones) e inseguridad K determinados según **EN 62841-2-5**:

Aserrado de madera: $a_{h1} < 1,4 \text{ m/s}^2$, $K = 1,5 \text{ m/s}^2$,

El nivel de vibraciones y el valor de emisiones de ruidos indicados en estas instrucciones se han medido de acuerdo con un método de medición estandarizado en EN 62841 y se pueden usar para comparar herramientas eléctricas entre sí. También son adecuados para estimar provisionalmente la emisión de vibraciones y ruidos.

El nivel de vibraciones y el valor de emisiones de ruidos indicados han sido determinados para las aplicaciones principales de la herramienta eléctrica. Por ello, el nivel de vibraciones y el valor de emisiones de ruidos pueden ser diferentes si la herramienta eléctrica se utiliza para otras aplicaciones, con útiles diferentes, o si el mantenimiento de la misma fuese deficiente. Ello puede suponer un aumento drástico de la emisión de vibraciones y de ruidos durante el tiempo total de trabajo.

Para determinar con exactitud las emisiones de vibraciones y de ruidos, es necesario considerar también aquellos tiempos en los que el aparato esté desconectado, o bien, esté en funcionamiento, pero sin ser utilizado realmente. Ello puede suponer una disminución drástica de las emisiones de vibraciones y de ruidos durante el tiempo total de trabajo.

Fije unas medidas de seguridad adicionales para proteger al usuario de los efectos por vibraciones, como por ejemplo: Mantenimiento de la herramienta eléctrica y de los útiles, conservar calientes las manos, organización de las secuencias de trabajo.

Montaje

- ▶ **Solamente use hojas de sierra cuyas revoluciones máximas admisibles sean superiores a las revoluciones en vacío de la herramienta eléctrica.**

Montaje y cambio de la hoja de sierra

- ▶ **Antes de cualquier manipulación en la herramienta eléctrica, sacar el enchufe de red de la toma de corriente.**
- ▶ **Al montar la hoja de sierra utilice unos guantes de protección.** Podría accidentarse en caso de tocar la hoja de sierra.
- ▶ **Únicamente use hojas de sierra con los datos característicos indicados en estas instrucciones de servicio y en la herramienta eléctrica.**
- ▶ **El número de revoluciones admisible del útil debe ser por lo menos tan alto como el número máximo de revoluciones indicado en la herramienta eléctrica.** Si un accesorio gira más rápido de lo permitido, puede romperse y salir volando.

► **Jamás utilice discos amoladores como útil.**

Desmontaje de la hoja de sierra (ver figura A)

Para cambiar el útil se recomienda depositar la herramienta eléctrica sobre el frente de la carcasa del motor.

- Presione la tecla de retención del husillo (4) y manténgala presionada.
- **Accione la tecla de bloqueo del husillo (4) solamente con el husillo de la sierra parado.** En caso contrario podría dañarse la herramienta eléctrica.
- Con la llave macho hexagonal (17), desenrosque el tornillo de apriete (18) en el sentido de giro ②.
- Mueva hacia atrás la caperuza protectora pendular (11) y sosténgala firmemente.
- Quite la brida de apriete (19) y la hoja de sierra (20) del husillo de la sierra (22).

Selección de la hoja de sierra

Una vista de conjunto de hojas de sierra recomendadas se encuentra al final de estas instrucciones.

Montaje del disco de sierra (vea la figura A)

Para cambiar el útil se recomienda depositar la herramienta eléctrica sobre la parte frontal de la carcasa del motor.

- Limpie el disco de sierra (20) y todas las demás piezas de sujeción que se vayan a montar.
- Mueva hacia atrás la cubierta protectora pendular (11) y sosténgala firmemente.
- Coloque el disco de sierra (20) sobre la brida de admisión (21). La dirección de corte de los dientes (dirección de la flecha sobre el disco de sierra) y la flecha de sentido de giro en la caperuza (11) deben coincidir.
- Coloque la brida de sujeción (19) y enrosque el tornillo de sujeción en el sentido de giro ②. Preste atención a la correcta posición de montaje de la brida de admisión (21) y la brida de sujeción (19).
- Presione la tecla de bloqueo del husillo (4) y manténgala presionada.
- Con la llave macho hexagonal (17) apriete el tornillo de sujeción en el sentido de giro ②. El par de apriete debe ascender a 6–9 Nm, lo que corresponde a apretado a mano más ¼ de vuelta.

Aspiración de polvo y virutas

El polvo de ciertos materiales como, pinturas que contengan plomo, ciertos tipos de madera y algunos minerales y metales, puede ser nocivo para la salud. El contacto y la inspiración de estos polvos pueden provocar en el usuario o en las personas circundantes reacciones alérgicas y/o enfermedades respiratorias.

Ciertos polvos como los de roble, encina y haya son considerados como cancerígenos, especialmente en combinación con los aditivos para el tratamiento de la madera (cromatos, conservantes de la madera). Los materiales que contengan amianto solamente deberán ser procesados por especialistas.

- A ser posible utilice un equipo para aspiración de polvo apropiado para el material a trabajar.

- Observe que esté bien ventilado el puesto de trabajo.
- Se recomienda una mascarilla protectora con un filtro de la clase P2.

Observe las prescripciones vigentes en su país sobre los materiales a trabajar.

- **Evite acumulaciones de polvo en el puesto de trabajo.** Los materiales en polvo se pueden inflamar fácilmente.

Operación

Modos de operación

- **Antes de cualquier manipulación en la herramienta eléctrica, sacar el enchufe de red de la toma de corriente.**

Ajuste de la profundidad de corte (ver figura B)

- **Adapte la profundidad de corte al espesor de la pieza de trabajo.** La hoja de sierra no deberá sobresalir más de un diente de la pieza de trabajo.

Suelte la palanca de apriete (23). Para una profundidad de corte más pequeña, tire de la sierra alejándola de la placa base (12), para una mayor profundidad de corte más grande empuje la sierra hacia la placa base (12). Ajuste la medida deseada en la escala de profundidad de corte. Apriete de nuevo firmemente la palanca de apriete (23).

Si no puede ajustar por completo la profundidad de corte después de soltar la palanca de fijación (23), retire la palanca de fijación (23) de la sierra y gírela hacia abajo. Suelte de nuevo la palanca de fijación (23). Repita este proceso hasta conseguir que sea ajustable la profundidad de corte deseada.

La fuerza de aplicación de la palanca de apriete (23) se puede reajustar. Desatornille para ello la palanca de apriete (23) y atornillela de nuevo desfasada en como mínimo 30° en sentido antihorario.

Si no puede fijar suficientemente la profundidad de corte después de apretar la palanca de fijación (23), retire la palanca de fijación (23) de la sierra y gírela hacia arriba. Suelte de nuevo la palanca de fijación (23). Repita este proceso, hasta que quede fija la profundidad de corte.

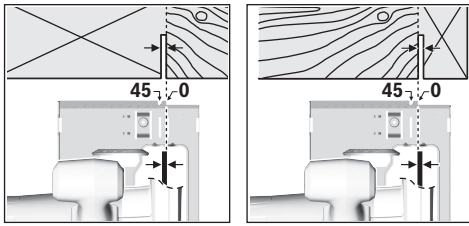
Ajuste del ángulo de inglete

Lo mejor es colocar la herramienta eléctrica en la cara frontal de la caperuza protectora (15).

Suelte el tornillo de mariposa (6). Incline lateralmente la sierra. Ajuste la medida deseada en la escala (5). Apriete de nuevo firmemente el tornillo de mariposa (6).

Indicación: Para cortes a inglete, la profundidad de corte es menor que el valor indicado en la escala de profundidad de corte (24).

Marcas de posición



La marca de corte 0° (9) muestra la posición de la hoja de sierra en caso de corte rectangular. La marca de corte 45° (8) muestra la posición de la hoja de sierra en caso de corte de 45°.

Para obtener un pieza con las medidas correctas, alinee la sierra respecto al trazo según se muestra en la figura. Se recomienda realizar un corte de prueba.

Ajuste de la profundidad de corte (ver figura B)

- **Adapte la profundidad de corte al espesor de la pieza de trabajo.** La hoja de sierra no deberá sobresalir más de un diente de la pieza de trabajo.

Suelte la palanca de apriete (23). Para una profundidad de corte más pequeña, tire de la sierra alejándola de la placa base (12), para una mayor profundidad de corte más grande empuje la sierra hacia la placa base (12). Ajuste la medida deseada en la escala de profundidad de corte. Apriete de nuevo firmemente la palanca de apriete (23).

Si no puede ajustar por completo la profundidad de corte después de soltar la palanca de fijación (23), retire la palanca de fijación (23) de la sierra y gírela hacia abajo. Suelte de nuevo la palanca de fijación (23). Repita este proceso hasta conseguir que sea ajustable la profundidad de corte deseada.

La fuerza de aplicación de la palanca de apriete (23) se puede reajustar. Desatornille para ello la palanca de apriete (23) y atornillela de nuevo desfasada en como mínimo 30° en sentido antihorario.

Si no puede fijar suficientemente la profundidad de corte después de apretar la palanca de fijación (23), retire la palanca de fijación (23) de la sierra y gírela hacia arriba. Suelte de nuevo la palanca de fijación (23). Repita este proceso, hasta que quede fija la profundidad de corte.

Puesta en marcha

- **¡Observe la tensión de alimentación! La tensión de alimentación deberá coincidir con las indicaciones en la placa de características de la herramienta eléctrica. Las herramientas eléctricas marcadas con 230 V pueden funcionar también a 220 V.**

Conexión/desconexión

- **Asegúrese de que puede operar el interruptor de conexión/desconexión sin soltar el mango.**

Para la **puesta en servicio** de la herramienta eléctrica, accione primero el bloqueo de conexión (2) y presione **luego**

el interruptor de conexión/desconexión (1) y manténgalo oprimido.

Para **desconectar** la herramienta eléctrica, suelte el interruptor de conexión/desconexión (1).

Indicación: Por motivos de seguridad, no se puede bloquear el interruptor de conexión/desconexión (1), sino debe mantenerse pulsado permanentemente durante el servicio.

Instrucciones para la operación

- **Antes de cualquier manipulación en la herramienta eléctrica, sacar el enchufe de red de la toma de corriente.**

Proteja las hojas de sierra de los choques y golpes.

Guíe la herramienta eléctrica uniformemente, ejerciendo una leve fuerza de empuje en la dirección de corte. Una fuerza de avance excesiva reduce fuertemente la duración de los útiles y puede dañar a la herramienta eléctrica.

El rendimiento y calidad alcanzados en el corte dependen en gran medida del estado y de la forma del diente de la hoja de sierra. Por ello, solamente utilice hojas de sierra afiladas y adecuadas al material a trabajar.

Serrado de madera

La selección de la hoja de sierra correcta depende del tipo y calidad de la madera, y si el corte a realizar es longitudinal o transversal.

Al realizar cortes longitudinales en abeto se forman virutas largas en forma de espiral.

El polvo de haya y roble es particularmente peligroso para la salud; por esta razón, trabaje sólo con aspiración de polvo.

Serrado con tope paralelo (ver figura C)

El tope paralelo (10) permite obtener cortes exactos a lo largo del canto de la pieza de trabajo, o bien, serrar franjas de igual anchura.

Suelte el tornillo de mariposa (7) y desplace la escala del tope paralelo (10) a través de la guía en la placa base (12). Ajuste el ancho de corte deseado como valor de escala en la respectiva marca de corte (9) o (8), ver apartado "Marcas de corte". Apriete de nuevo firmemente el tornillo de mariposa (7).

Serrado con tope auxiliar (ver figura D)

Para serrar piezas largas o cortar cantos rectos puede fijarse a la pieza una tabla o listón que le sirva de guía al asentar la placa base de la sierra circular contra este tope auxiliar.

Mantenimiento y servicio

Mantenimiento y limpieza

- **Antes de cualquier manipulación en la herramienta eléctrica, sacar el enchufe de red de la toma de corriente.**
- **Mantenga limpia la herramienta eléctrica y las rejillas de refrigeración para trabajar con eficacia y seguridad.**

La caperuza protectora pendular deberá poder moverse y cerrarse siempre por sí sola. Por ello, es necesario mantener limpio siempre el área en torno a la caperuza protectora pendular. Limpie el polvo y las virutas con una brocha.

Las hojas de sierra sin recubrimiento se pueden proteger mediante una delgada capa de aceite sin ácido ante el inicio de corrosión. Elimine de nuevo el aceite antes de aserrar, ya que si no se mancha la madera.

Las deposiciones de resina o cola sobre la hoja de sierra reducen la calidad del corte. Por ello, limpie las hojas de sierra inmediatamente después de su uso.

La sustitución de un cable de conexión deteriorado deberá ser realizada por Bosch o por un servicio técnico autorizado para herramientas eléctricas Bosch con el fin de garantizar la seguridad del aparato.

Servicio técnico y atención al cliente

El servicio técnico le asesorará en las consultas que pueda Ud. tener sobre la reparación y mantenimiento de su producto, así como sobre piezas de recambio. Los dibujos de despiece e informaciones sobre las piezas de recambio las podrá obtener también en el internet bajo: **www.bosch-pt.com**

El equipo de consultoría de aplicaciones de Bosch gustosamente le ayuda en el caso de preguntas sobre nuestros productos y sus accesorios.

Para cualquier consulta o pedido de piezas de repuesto es imprescindible indicar el nº de artículo de 10 dígitos que figura en la placa de características del producto.

España

Robert Bosch España S.L.U.
Departamento de ventas Herramientas Eléctricas
C/Hermanos García Noblejas, 19
28037 Madrid

Para efectuar su pedido online de recambios o pedir la recogida para la reparación de su máquina, entre en la página www.herramientasbosch.net.

Tel. Asesoramiento al cliente: 902 531 553
Fax: 902 531554

Argentina

Robert Bosch Argentina S.A.
Calle Blanco Encalada 250 – San Isidro
Código Postal B1642AMQ
Ciudad Autónoma de Buenos Aires
Tel.: (54) 11 5296 5200
E-Mail: herramientas.bosch@ar.bosch.com
www.argentina.bosch.com.ar

Chile

Robert Bosch S.A.
Calle El Cacique
0258 Providencia – Santiago de Chile
Buzón Postal 7750000
Tel.: (56) 02 782 0200
www.bosch.cl

Colombia

Robert Bosch Ltda
Av. Cra 45, # 108A-50, piso 7

Bogotá D.C.
Tel.: (57) 1 658 5010
www.colombia.bosch.com.co

Ecuador

Robert Bosch Sociedad Anónima
Av. Rodrigo Chávez Gonzalez Parque Empresarial Colón
Edif. Colconcorp Piso 1 Local 101-102,
Guayaquil
Tel.: (593) 4 220 4000
E-mail: ventas@bosch.com.ec
www.bosch.ec

México

Robert Bosch S. de R.L. de C.V.
Calle Robert Bosch No. 405
C.P. 50071 Zona Industrial, Toluca - Estado de México
Tel.: (52) 55 528430-62
Tel.: 800 6271286
www.bosch-herramientas.com.mx

Panamá

Robert Bosch Panamá, S.A.
Punta Pacifica, Av 8va Sur y Calle 56 Est Ed Paitilla Of. Tower
Ciudad de Panamá
Tel.: (507) 301-0960
www.boschherramientas.com.pa

Perú

Robert Bosch S.A.C.
Av. Primavera 781 Piso 2, Urbanización Chacarilla San Borja
Lima
Tel.: (51) 1 706 1100
www.bosch.com.pe

Venezuela

Robert Bosch S.A.
Calle Vargas con Buen Pastor, Edif. Alba, P-1, Boleíta Norte,
Caracas 1071
Tel.: (58) 212 207-4511
www.boschherramientas.com.ve

Bolivia

Hansa
Calle Yanacocha esp. Mercado # 1004
Casilla 10800. La Paz.
Tel. Hansa: (591) 2 240 7777
Tel. Bosch: 800 10 0014
www.hansaindustria.com.bo

Costa Rica

Cofersa
Pozos de Santa Ana, de Hules Técnicos 200 metros este
San José
Tel.: (506) 2205 2525
www.bosch.co.cr

El Salvador

Proyesa
Dirección: Calle Gerardo Barrios y 27 Av. Sur, # 1507
San Salvador
Tel.: (503) 2559 9999
www.bosch.com.sv

Guatemala

Edisa
8a. Calle 6-60, Zona 4
Ciudad de Guatemala, 01004
Tel.: (502) 2494 0000
www.bosch.com.gt

Honduras

Indufesa
Dir: Av. Juan Pablo li Cont.a Casa Presidencial
Tegucigalpa, Francisco Morazán
Tel.: (504) 0 239 9953
www.bosch.hn

Nicaragua

MADINISA
Km 3 Carretera Norte, Edificio Armando Guido 3c. abajo
Managua
Tel.: (505) 2249 8152
Tel.: (505) 2249 8153
www.bosch.nom.ni

Paraguay

Chispa S.A.
Carios 1988E/P. José Rivera y Bernardino Gorostiaga
Casilla De Correo 1106.
Asuncion
Tel.: (595) 2155 3315
www.bosch.com.py

Republica Dominicana

MDH SRL
Entre Privada y Caonabo lado Norte
Santo Domingo, Distrito Nacional
Tel.: (1) 534-3020
www.bosch.do

Uruguay

Robert Bosch Uruguay S.A.
Av. Italia 7519, local A 004 (esq. Barradas)
Código Postal 11.500
Montevideo
Tel.: (598) 2604 7010
E-mail: herramientas.bosch@uy.bosch.com
www.bosch.uy.com

Eliminación

Recomendamos que las herramientas eléctricas, accesorios y embalajes sean sometidos a un proceso de recuperación que respete el medio ambiente.



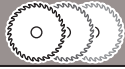
¡No arroje las herramientas eléctricas a la basura!



El símbolo es solamente válido, si también se encuentra sobre la placa de características del producto/fabricado.



1 619 X01 612



optiline
WOOD



speedline
WOOD

fast
CUT



CONSTRUCT
WOOD

fast
CUT

