

Robert Bosch Power Tools GmbH
70538 Stuttgart
GERMANY

www.bosch-pt.com

1 609 92A 362 (2017.02) 0 / 45



1 609 92A 362

GSS 140 A Professional

 **BOSCH**

en Original instructions

cn 正本使用说明书

tw 原始使用說明書

ko 사용 설명서 원본

th หนังสือคู่มือการใช้งานฉบับต้นแบบ

id Petunjuk-Petunjuk untuk

Penggunaan Orisinal

vi Bản gốc hướng dẫn sử dụng

fr Notice originale

ar تعليمات التشغيل الأصلية

fa دفترچه راهنمای اصلی

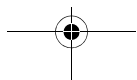


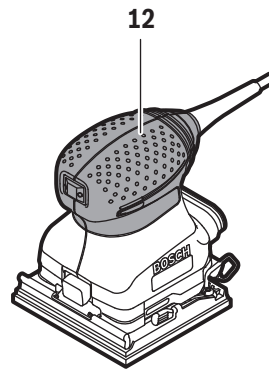
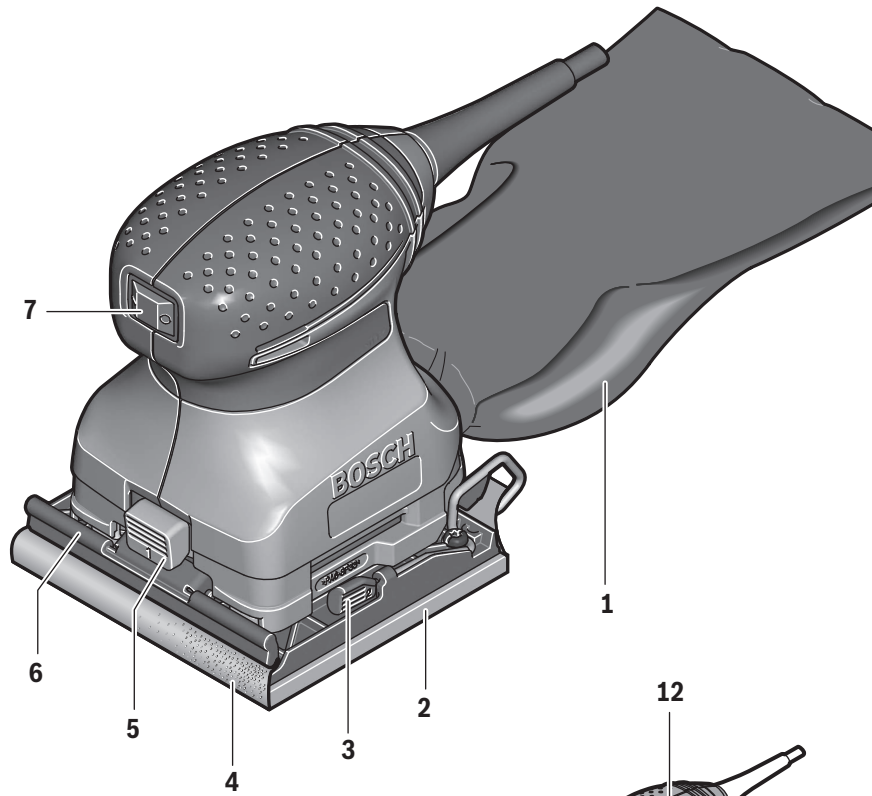


2 |



English	Page	5
中文	页	9
中文	頁	13
한국어	페이지	16
ภาษาไทย	หน้า	19
Bahasa Indonesia	Halaman	23
Tiếng Việt	Trang	27
Français	Page	31
عربي	صفحة	39
فارسی	صفحه	43

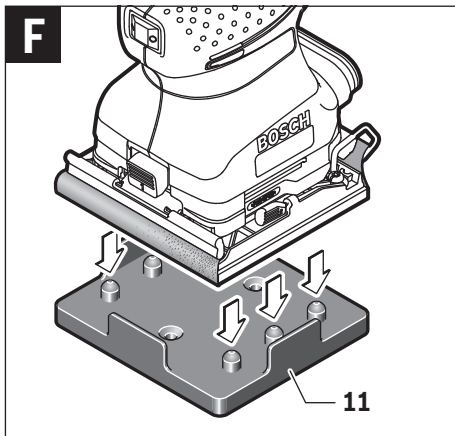
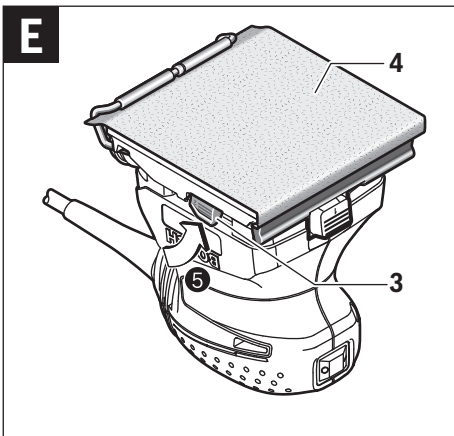
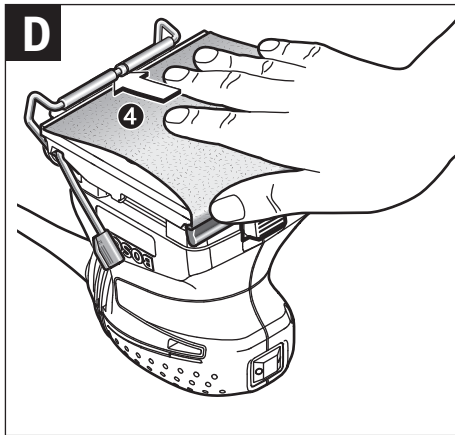
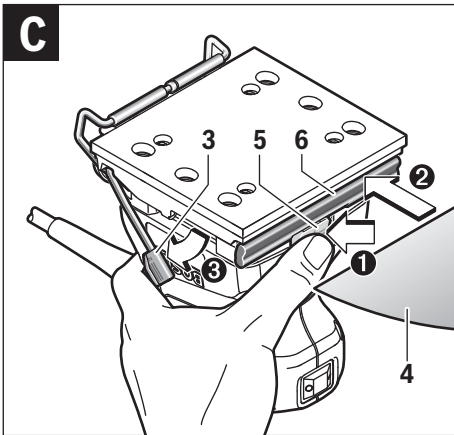
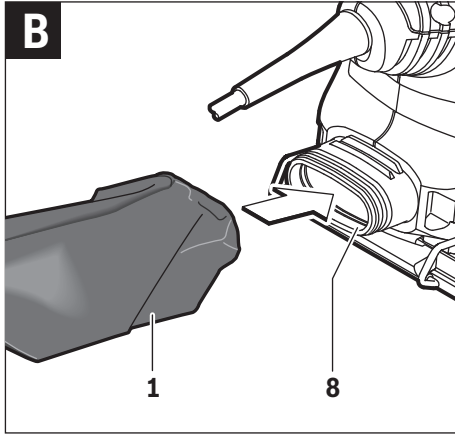
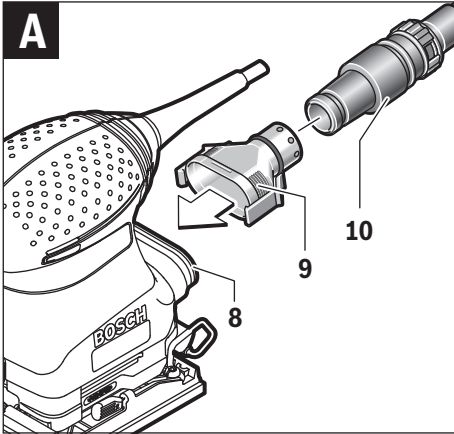




GSS 140 A



4 |



English

Safety Notes

General Power Tool Safety Warnings

⚠ WARNING Read all safety warnings and all instructions. Failure to follow the warnings and instructions may result in electric shock, fire and/or serious injury.

Save all warnings and instructions for future reference.

The term "power tool" in the warnings refers to your mains-operated (corded) power tool or battery-operated (cordless) power tool.

Work area safety

- ▶ **Keep work area clean and well lit.** Cluttered or dark areas invite accidents.
- ▶ **Do not operate power tools in explosive atmospheres, such as in the presence of flammable liquids, gases or dust.** Power tools create sparks which may ignite the dust or fumes.
- ▶ **Keep children and bystanders away while operating a power tool.** Distractions can cause you to lose control.

Electrical safety

- ▶ **Power tool plugs must match the outlet. Never modify the plug in any way. Do not use any adapter plugs with earthed (grounded) power tools.** Unmodified plugs and matching outlets will reduce risk of electric shock.
- ▶ **Avoid body contact with earthed or grounded surfaces, such as pipes, radiators, ranges and refrigerators.** There is an increased risk of electric shock if your body is earthed or grounded.
- ▶ **Do not expose power tools to rain or wet conditions.** Water entering a power tool will increase the risk of electric shock.
- ▶ **Do not abuse the cord. Never use the cord for carrying, pulling or unplugging the power tool. Keep cord away from heat, oil, sharp edges and moving parts.** Damaged or entangled cords increase the risk of electric shock.
- ▶ **When operating a power tool outdoors, use an extension cord suitable for outdoor use.** Use of a cord suitable for outdoor use reduces the risk of electric shock.
- ▶ **If operating a power tool in a damp location is unavoidable, use a residual current device (RCD) protected supply.** Use of an RCD reduces the risk of electric shock.

Personal safety

- ▶ **Stay alert, watch what you are doing and use common sense when operating a power tool. Do not use a power tool while you are tired or under the influence of drugs, alcohol or medication.** A moment of inattention while operating power tools may result in serious personal injury.
- ▶ **Use personal protective equipment. Always wear eye protection.** Protective equipment such as dust mask, non-skid safety shoes, hard hat, or hearing protection used for appropriate conditions will reduce personal injuries.

▶ **Prevent unintentional starting. Ensure the switch is in the off-position before connecting to power source and/or battery pack, picking up or carrying the tool.**

Carrying power tools with your finger on the switch or energising power tools that have the switch on invites accidents.

- ▶ **Remove any adjusting key or wrench before turning the power tool on.** A wrench or a key left attached to a rotating part of the power tool may result in personal injury.
- ▶ **Do not overreach. Keep proper footing and balance at all times.** This enables better control of the power tool in unexpected situations.
- ▶ **Dress properly. Do not wear loose clothing or jewellery. Keep your hair, clothing and gloves away from moving parts.** Loose clothes, jewellery or long hair can be caught in moving parts.
- ▶ **If devices are provided for the connection of dust extraction and collection facilities, ensure these are connected and properly used.** Use of dust collection can reduce dust-related hazards.

Power tool use and care

- ▶ **Do not force the power tool. Use the correct power tool for your application.** The correct power tool will do the job better and safer at the rate for which it was designed.
- ▶ **Do not use the power tool if the switch does not turn it on and off.** Any power tool that cannot be controlled with the switch is dangerous and must be repaired.
- ▶ **Disconnect the plug from the power source and/or the battery pack from the power tool before making any adjustments, changing accessories, or storing power tools.** Such preventive safety measures reduce the risk of starting the power tool accidentally.
- ▶ **Store idle power tools out of the reach of children and do not allow persons unfamiliar with the power tool or these instructions to operate the power tool.** Power tools are dangerous in the hands of untrained users.
- ▶ **Maintain power tools. Check for misalignment or binding of moving parts, breakage of parts and any other condition that may affect the power tool's operation. If damaged, have the power tool repaired before use.** Many accidents are caused by poorly maintained power tools.
- ▶ **Keep cutting tools sharp and clean.** Properly maintained cutting tools with sharp cutting edges are less likely to bind and are easier to control.
- ▶ **Use the power tool, accessories and tool bits etc. in accordance with these instructions, taking into account the working conditions and the work to be performed.** Use of the power tool for operations different from those intended could result in a hazardous situation.

Service

- ▶ **Have your power tool serviced by a qualified repair person using only identical replacement parts.** This will ensure that the safety of the power tool is maintained.

6 | English

Safety Warnings for Sander

- ▶ **Use the machine only for dry sanding.** Penetration of water into the machine increases the risk of an electric shock.
- ▶ **Caution, fire hazard! Avoid overheating the object being sanded as well as the sander. Always empty the dust collector before taking breaks.** In unfavourable conditions, e. g., when sparks emit from sanding metals, sanding debris in the dust bag, micro filter or paper sack (or in the filter sack or filter of the vacuum cleaner) can self-ignite. Particularly when mixed with remainders of varnish, polyurethane or other chemical materials and when the sanding debris is hot after long periods of working.
- ▶ **Secure the workpiece.** A workpiece clamped with clamping devices or in a vice is held more secure than by hand.
- ▶ **Products sold in GB only:** Your product is fitted with a BS 1363/A approved electric plug with internal fuse (ASTA approved to BS 1362).
If the plug is not suitable for your socket outlets, it should be cut off and an appropriate plug fitted in its place by an authorised customer service agent. The replacement plug should have the same fuse rating as the original plug. The severed plug must be disposed of to avoid a possible shock hazard and should never be inserted into a mains socket elsewhere.
Products sold in AUS and NZ only: Use a residual current device (RCD) with a rated residual current of 30 mA or less.

Product Description and Specifications

Read all safety warnings and all instructions. Failure to follow the warnings and instructions may result in electric shock, fire and/or serious injury.

Intended Use

The machine is intended for dry sanding of wood, plastic, filler and coated surfaces.

Product Features

The numbering of the product features refers to the illustration of the machine on the graphics page.

- 1 Dust bag
- 2 Sanding plate
- 3 Sanding-sheet clamp
- 4 Sanding sheet
- 5 Release button for front clamping bracket
- 6 Front clamping bracket
- 7 On/Off switch
- 8 Extraction outlet
- 9 Extraction adapter*
- 10 Vacuum hose*
- 11 Perforating tool*
- 12 Handle (insulated gripping surface)

*Accessories shown or described are not part of the standard delivery scope of the product. A complete overview of accessories can be found in our accessories program.

Technical Data

Orbital sander	GSS 140 A	
Article number		0 601 297 0..
Rated power input	W	180
No-load speed	min ⁻¹	12000
No-load orbital stroke rate	min ⁻¹	24000
Orbit diameter	mm	1.6
Sanding sheet dimensions		
Adhesion via Velcro backing	mm	115 x 107
Attachment via clamping	mm	115 x 140
Sanding plate dimensions	mm	113 x 105
Weight according to EPTA-Procedure 01:2014	kg	1.4
Protection class		□/II

The values given are valid for a nominal voltage [U] of 230 V. For different voltages and models for specific countries, these values can vary.

Assembly

- ▶ **Before any work on the machine itself, pull the mains plug.**

Replacing the Sanding Sheet

When attaching a new sanding sheet, remove any dust or debris from the sanding plate 2 (e. g. with a brush).

To ensure optimum dust extraction, pay attention that the punched holes in the sanding sheet match with the holes in the sanding plate.

Sanding Sheets without Velcro Backing (see figures C – E)

- ❶ Press the release button 5 and keep it depressed.
- ❷ Guide the sanding sheet 4 to the stop under the opened front clamping bracket 6 and let go of the release button 5 again. Pay attention that the sanding sheet is clamped centrally.
- ❸ Press the sanding sheet clamp 3 inward and pivot it to the stop.
- ❹ Fold the sanding sheet 4 firmly around the sanding plate. Guide the other end of the sanding sheet 4 between the rear clamping bracket and the red roller on the clamping bracket 3.
- ❺ Hold the sanding sheet tensely and press the clamping bracket 3 toward the sanding plate to lock the sanding sheet.

Sanding sheets without holes, e. g. from rolls or by the metre, can be punctured with the perforating tool 11. For this, push the power tool with the sanding sheet mounted onto the perforating tool (see figure F).

To remove the sanding sheet 4, loosen the clamping bracket 3 and pull out the sanding sheet from the rear holding fixture. Press the release button 5 and completely remove the sanding sheet.

Sanding Sheets with Velcro Backing

Sanding plates **2** fitted with Velcro backing can be used to fasten sanding sheets with Velcro adhesion quickly and easily. Before attaching the sanding sheet **4**, free the Velcro backing of the sanding plate **2** from any debris by tapping against it in order to enable optimum adhesion.

Position the sanding sheet **4** flush alongside one edge of the sanding plate **2**, then lay the sanding sheet onto the sanding plate and press firmly.

To remove the sanding sheet **4**, grasp it at one of the tips and pull it off from the sanding plate **2**.

Selecting the Sanding Sheet

Depending on the material to be worked and the required rate of material removal, different sanding sheets are available:

		Grain size
red:Wood		40–240
For the working of all wooden materials		
For coarse-sanding, e. g. of rough, unplaned beams and boards	coarse	40, 60
For face sanding and planing small irregularities	medium	80, 120
For finish and fine sanding of hard woods	fine	180, 240
white:Paint		40–240
For the working of paint/enamel coats or primers and fillers		
For sanding off paint	coarse	40, 60
For sanding primer	medium	80, 120
For final sanding of primers before coating	fine	180, 240

Dust/Chip Extraction

- ▶ Dust from materials such as lead-containing coatings, some wood types, minerals and metal can be harmful to one's health. Touching or breathing-in the dust can cause allergic reactions and/or lead to respiratory infections of the user or bystanders.
 - Certain dust, such as oak or beech dust, is considered carcinogenic, especially in connection with wood-treatment additives (chromate, wood preservative). Materials containing asbestos may only be worked by specialists.
 - As far as possible, use a dust extraction system suitable for the material.
 - Provide for good ventilation of the working place.
 - It is recommended to wear a P2 filter-class respirator.
- ▶ Observe the relevant regulations in your country for the materials to be worked.
- ▶ **Prevent dust accumulation at the workplace.** Dust can easily ignite.

External Dust Extraction (see figure A)

Slide the extraction adapter **9** onto the outlet piece **8**. Ensure that the latching levers of the extraction adapter engage. The extraction adapter **9** accepts a vacuum hose with a diameter of 19 mm.

For removal of the extraction adapter **9**, press the latching levers together at the rear and pull the extraction adapter off. The vacuum cleaner must be suitable for the material being worked.

When vacuuming dry dust that is especially detrimental to health or carcinogenic, use a special vacuum cleaner.

Integrated Dust Extraction with Dust Bag (see figure B)

For small sanding jobs, a dust bag **1** (accessory) can be connected. Attach the sleeve of the dust bag firmly onto the outlet piece **8**. To maintain optimum dust collection, empty the dust bag **1** in good time.

Operation**Starting Operation**

- ▶ **Observe correct mains voltage! The voltage of the power source must agree with the voltage specified on the nameplate of the machine. Power tools marked with 230 V can also be operated with 220 V.**

Switching On and Off

To **start** the machine, tilt the On/Off switch **7** toward the right to the "I" position.

To **switch off** the machine, tilt the On/Off switch **7** toward the left to the "O" position.

To save energy, only switch the power tool on when using it.

Working Advice

- ▶ **Wait until the machine has come to a standstill before placing it down.**
- ▶ **Before any work on the machine itself, pull the mains plug.**

The removal capacity during sanding is mainly determined by the selection of the sanding sheet.

Only flawless sanding sheets achieve good sanding capacity and extend the service life of the machine.

Pay attention to apply uniform sanding pressure; this increases the working life of the sanding sheets.

Intensifying the sanding pressure does not lead to an increase of the sanding capacity, but to increased wear of the machine and the sanding sheet.

A sanding sheet that has been used for metal should not be used for other materials.

Use only original Bosch sanding accessories.

Maintenance and Service**Maintenance and Cleaning**

- ▶ **Before any work on the machine itself, pull the mains plug.**

8 | English

► For safe and proper working, always keep the machine and ventilation slots clean.

If the replacement of the supply cord is necessary, this has to be done by Bosch or an authorized Bosch service agent in order to avoid a safety hazard.

After-sales Service and Application Service

Our after-sales service responds to your questions concerning maintenance and repair of your product as well as spare parts. Exploded views and information on spare parts can also be found under:

www.bosch-pt.com

Bosch's application service team will gladly answer questions concerning our products and their accessories.

In all correspondence and spare parts orders, please always include the 10-digit article number given on the nameplate of the product.

People's Republic of China**China Mainland**

Bosch Power Tools (China) Co., Ltd.
567, Bin Kang Road
Bin Jiang District 310052
Hangzhou, P. R. China
Service Hotline: 4008268484
Fax: (0571) 87774502
E-Mail: contact.ptcn@cn.bosch.com
www.bosch-pt.com.cn

HK and Macau Special Administrative Regions

Robert Bosch Hong Kong Co. Ltd.
21st Floor, 625 King's Road
North Point, Hong Kong
Customer Service Hotline: +852 2101 0235
Fax: +852 2590 9762
E-Mail: info@hk.bosch.com
www.bosch-pt.com.hk

Indonesia

PT Robert Bosch
Palma Tower 10th Floor
Jl. RA Kartini II-S Kaveling 6 Sek II
Pondok Pinang, Kebayoran Lama
Jakarta Selatan 12310
Indonesia
Tel.: (021) 3005 5800
Fax: (021) 3005 5801
E-Mail: boschpowertools@id.bosch.com
www.bosch-pt.co.id

Philippines

Robert Bosch, Inc.
28th Floor Fort Legend Towers,
3rd Avenue corner 31st Street,
Fort Bonifacio Global City,
1634 Taguig City, Philippines
Tel.: (02) 8703871
Fax: (02) 8703870
matheus.contiero@ph.bosch.com
www.bosch-pt.com.ph

Bosch Service Center:
9725-27 Kamagong Street
San Antonio Village
Makati City, Philippines
Tel.: (02) 8999091
Fax: (02) 8976432
E-Mail: rosalie.dagdagan@ph.bosch.com

Malaysia

Robert Bosch Sdn. Bhd.
No. 8A, Jalan 13/6
G.P.O. Box 10818
46200 Petaling Jaya
Selangor, Malaysia
Tel.: (03) 79663194
Fax: (03) 79583838
E-Mail: cheehoe.on@my.bosch.com
Toll-Free: 1800 880188
www.bosch-pt.com.my

Thailand

Robert Bosch Ltd.
Liberty Square Building
No. 287, 11 Floor
Silom Road, Bangrak
Bangkok 10500
Tel.: 02 6393111
Fax: 02 2384783
Robert Bosch Ltd., P. O. Box 2054
Bangkok 10501, Thailand
www.bosch.co.th

Bosch Service – Training Centre
La Salle Tower Ground Floor Unit No.2
10/11 La Salle Moo 16
Srinakharin Road
Bangkaew, Bang Plee
Samutprakarn 10540
Thailand
Tel.: 02 7587555
Fax: 02 7587525

Singapore

Powerwell Service Centre Ptd Ltd
65 Ubi Crescent, #06-03 Hola Centre
Singapore 408559
Tel.: 6746 9770/71
Fax: 6746 9760
E-Mail: powerwellsc@gmail.com
Toll-Free: 1800 3338333
www.bosch-pt.com.sg

Vietnam

Robert Bosch Vietnam Co. Ltd
13th Floor, 194 Golden Building
473 Dien Bien Phu Street
Ward 25, Binh Thanh District
84 Ho Chi Minh City
Vietnam
Tel.: (08) 6258 3690
Fax: (08) 6258 3692
Hotline: (08) 6250 8555
E-Mail: tuvankhachhang-pt@vn.bosch.com
www.bosch-pt.com.vn
www.baohanhbosch-pt.com.vn

Australia, New Zealand and Pacific Islands

Robert Bosch Australia Pty. Ltd.
Power Tools
Locked Bag 66
Clayton South VIC 3169
Customer Contact Center
Inside Australia:
Phone: (01300) 307044
Fax: (01300) 307045
Inside New Zealand:
Phone: (0800) 543353
Fax: (0800) 428570
Outside AU and NZ:
Phone: +61 3 95415555
www.bosch-pt.com.au
www.bosch-pt.co.nz

Egypt

Unimar
20 Markaz kadmat
El tagmoa EL Aoul – New Cairo
Tel: +2 02 224 76091 - 95 / + 2 02 224 78072 - 73
Fax: +2 02 224 78075
E-Mail: adelzaki@unimaregypt.com

Ethiopia

Forever plc
Kebele 2,754, BP 4806,
Addis Ababa, Ethiopia
Tel: +251 111 560 600, +251 111 560 600
E-Mail: foreverplc@ethionet.et

Nigeria

C. Woermann Ltd.
P.O. Box 318
6, Badejo Kalesanwo Street
Matori Industrial Estate
Lagos, Nigeria
Tel: +234 17 736 498, +234 17 730 904
E-Mail: d.kornemann@woermann-nigeria.com

Republic of South Africa

Customer service
Hotline: (011) 6519600

Gauteng – BSC Service Centre

35 Roper Street, New Centre
Johannesburg
Tel.: (011) 4939375
Fax: (011) 4930126
E-Mail: bsctools@icon.co.za

KZN – BSC Service Centre

Unit E, Almar Centre
143 Crompton Street
Pinetown
Tel.: (031) 7012120
Fax: (031) 7012446
E-Mail: bsc.dur@za.bosch.com

Western Cape – BSC Service Centre

Democracy Way, Prosperity Park
Milnerton
Tel.: (021) 5512577
Fax: (021) 5513223
E-Mail: bsc@zsd.co.za

Bosch Headquarters

Midrand, Gauteng
Tel.: (011) 6519600
Fax: (011) 6519880
E-Mail: rbsa-hq.pts@za.bosch.com

Disposal

The machine, accessories and packaging should be sorted for environmental-friendly recycling.

Subject to change without notice.

中文

安全规章

电动工具通用安全警告

警告！ 阅读所有警告和所有说明！不遵照以下警告和说明会导致电击、着火和/或严重伤害。

保存所有警告和说明书以备查阅。

在所有下列的警告中术语“电动工具”指市电驱动（有线）电动工具或电池驱动（无线）电动工具。

工作场地的安全

- ▶ **保持工作场地清洁和明亮。** 混乱和黑暗的场地会引发事故。
- ▶ **不要在易爆环境，如有易燃液体、气体或粉尘的环境下操作电动工具。** 电动工具产生的火花会点燃粉尘或气体。
- ▶ **让儿童和旁观者离开后操作电动工具。** 注意力不集中会使操作者失去对工具的控制。

10 | 中文

电气安全

- ▶ **电动工具插头必须与插座相配。绝不能以任何方式改装插头。需接地的电动工具不能使用任何转换插头。** 未经改装的插头和相配的插座将减少电击危险。
- ▶ **避免人体接触接地表面，如管道、散热片和冰箱。** 如果你身体接地会增加电击危险。
- ▶ **不得将电动工具暴露在雨中或潮湿环境中。** 水进入电动工具将增加电击危险。
- ▶ **不得滥用电线。绝不能用电线搬运、拉动电动工具或拔出其插头。使电线远离热源、油、锐边或运动部件。** 受损或缠绕的软线会增加电击危险。
- ▶ **当在户外使用电动工具时，使用适合户外使用的外接软线。** 适合户外使用的软线将减少电击危险。
- ▶ **如果在潮湿环境下操作电动工具是不可避免的，应使用剩余电流动作保护器（RCD）。** 使用 RCD 可减少电击危险。

人身安全

- ▶ **保持警觉，当操作电动工具时关注所从事的操作并保持清醒。** 当你感到疲倦，或在有药物、酒精或治疗反应时，不要操作电动工具。在操作电动工具时瞬间的疏忽会导致严重人身伤害。
- ▶ **使用个人防护装置。始终佩戴护目镜。** 安全装置，诸如适当条件下使用防尘面具、防滑安全鞋、安全帽、听力防护等装置能减少人身伤害。
- ▶ **防止意外启动。确保开关在连接电源和 / 或电池盒、拿起或搬运工具时处于关断位置。** 手指放在已接通电源的开关上或开关处于接通时插入插头可能会导致危险。
- ▶ **在电动工具接通之前，拿掉所有调节钥匙或扳手。** 遗留在电动工具旋转零件上的扳手或钥匙会导致人身伤害。
- ▶ **手不要伸展得太长。时刻注意立足点和身体平衡。** 这样在意外情况下能很好地控制电动工具。
- ▶ **着装适当。不要穿宽松衣服或佩戴饰品。让衣服、手套和头发远离运动部件。** 宽松衣服、佩饰或长发可能会卷入运动部件中。
- ▶ **如果提供了与排屑、集尘设备连接用的装置，要确保他们连接完好且使用得当。** 使用这些装置可减少尘屑引起的危险。

电动工具使用和注意事项

- ▶ **不要滥用电动工具，根据用途使用适当的电动工具。** 选用适当设计的电动工具会使你工作更有效、更安全。
- ▶ **如果开关不能接通或关断工具电源，则不能使用该电动工具。** 不能用开关来控制的电动工具是危险的且必须进行修理。

- ▶ **在进行任何调节、更换附件或贮存电动工具之前，必须从电源上拔掉插头和 / 或使电池盒与工具脱开。** 这种防护性措施将减少工具意外起动的危险。
- ▶ **将闲置不用的电动工具贮存在儿童所及范围之外，并且不要让不熟悉电动工具或对这些说明不了解的人操作电动工具。** 电动工具在未经培训的用户手中是危险的。
- ▶ **保养电动工具。检查运动件是否调整到位或卡住，检查零件破损情况和影响电动工具运行的其他状况。** 如有损坏，电动工具应在使用前修理好。许多事故由维护不良的电动工具引发。
- ▶ **保持切削刀具锋利和清洁。** 保养良好的有锋利切削刃的刀具不易卡住而且容易控制。
- ▶ **按照使用说明书，考虑作业条件和进行的作业来使用电动工具、附件和工具的刀头等。** 将电动工具用于那些与其用途不符的操作可能会导致危险。

维修

- ▶ **将你的电动工具送交专业维修人员，使用同样的备件进行修理。** 这样将确保所维修的电动工具的安全性。

针对研磨机的安全规章

- ▶ **只能使用本机进行乾磨作业。** 如果雨水渗入电动机中可能导致触电。
- ▶ **注意，有着火的危险！避免过度提高研磨表面和研磨机的温度。务必利用工作空档清除集尘器中的尘屑。** 囤积在集尘袋、微滤网、集尘纸袋（滤网袋或吸尘器滤网）上的尘垢，如果接触了研磨金属时产生的火花会产生自燃。如果研磨废尘和油漆、聚亚胺脂或其它的化学原料混合后，再和经过长时间研磨而变热的工件表面接触，非常容易起火燃烧。
- ▶ **固定好工件。** 使用固定装置或老虎钳固定工件，会比用手紧握工件更牢固。

产品和功率描述

阅读所有的警告提示和指示。如未确实遵循警告提示和指示，可能导致电击、火灾并且 / 或其他的严重伤害。

按照规定使用机器

本机器适合在木材、塑胶、填隙料和上了保护漆的表面进行乾磨作业。

插图上的机件

机件的编号和电动工具详解图上的编号一致。

- 1 集尘袋
- 2 磨板
- 3 固定夹
- 4 砂纸

- 5 针对前紧固夹的解扣键
- 6 前紧固夹
- 7 起停开关
- 8 排气孔上的接头
- 9 吸管转接头*
- 10 吸管*
- 11 穿孔板*
- 12 手柄（绝缘握柄）

* 图表或说明上提到的附件，并不包含在基本的供货范围中。本公司的附件清单中有完整的附件供应项目。

技术数据

平板砂磨机		GSS 140 A
物品代码		0 601 297 0..
额定输入功率	瓦	180
无负载转速	次 / 分	12000
空载轨道速率	次 / 分	24000
轨道直径	毫米	1,6
砂纸尺寸		
Velcro 固定	毫米	115 x 107
使用紧固夹的砂纸	毫米	115 x 140
磨板尺寸	毫米	113 x 105
重量符合 EPTA—Procedure 01:2014	公斤	1,4
绝缘等级		□/II

本说明书提供的参数是以 230 V 为依据，于低电压地区，此数据有可能不同。

安装

▶ **维修电动工具或换装零、配件之前，务必从插座上拔出插头。**

更换砂纸

安装新的砂纸之前，先清除磨板 2 上的污垢与灰尘，例如使用毛刷。

为了确保最佳的吸尘效果，砂纸上的孔必须和磨板上的开口对齐。

无 Velcro 固定装置的砂纸（参考插图 C-E）

- ❶ 按下解扣键 5，并保持按住的姿势。
- ❷ 把砂纸 4 推入已经打开的前紧固夹 6 中，安装时要尽可能地将砂纸朝内推到底。再度放开解扣键 5。检查砂纸是否正确固定在磨板的中央。
- ❸ 先向内挤压固定夹 3，接著再把固定夹完全拆开。
- ❹ 把砂纸 4 绷紧在磨板上。将砂纸 4 的另一端放入后紧固夹和固定夹 3 上的红色滚轮之间。
- ❺ 让砂纸保持在绷紧的状态，把固定夹 3 朝著磨板的方向推以便锁牢 砂纸。

如果使用未打孔的砂纸，例如砂纸卷或根据长度贩卖的砂纸，可以使用穿孔板 11 在砂纸上打孔以方便吸尘。打孔时先在电动工具上装好砂纸，接著再把机器连同砂纸压在穿孔板上（参考插图 F）。

拆卸砂纸 4 时，先放鬆固定夹 3 再从后支撑中抽出砂纸。按住解扣键 5 然后再取出整张砂纸。

有 Velcro 固定装置的砂纸

如果磨板 2 上配备了绒毛纤维层，您可以既快速又简便地在磨板上固定有 Velcro 固定装置的砂纸。

安装砂纸 4 之前，先轻敲磨板 2 上的绒毛纤维以清除污垢，这样可以加强磨板和砂纸的粘合效果。

先让砂纸 4 的边缘与磨板 2 的边缘对齐，接著再把砂纸摊平在磨板上，顺著时针的转向轻轻地绕圈压紧砂纸。

拆卸时，只须握住砂纸 4 的一角便可以从磨板 2 上撕下砂纸。

选择砂纸

根据物料和需要的研磨效果，选择合适的砂纸：

粒度	
red:Wood	40–240
加工各类木材	
进行粗加工，针对粗糙、未经过刨削的木樑和木板	粗 40, 60
磨平以及修平小的凹陷	中 80, 120
在硬木上做最后的研磨和精磨工作	细 180, 240
White:Paint	40–240

加工颜料 / 漆料或底料、填隙料等

磨除颜料层	粗	40, 60
抛光底色	中	80, 120
磨平底料以方便上漆	细	180, 240

吸锯尘 / 吸锯屑

- ▶ 含铅的颜料以及某些木材、矿物和金属的加工废尘有害健康。机器操作者或者工地附近的人如果接触、吸入这些废尘，可能会有过敏反应或者感染呼吸道疾病。

某些尘埃（例如加工橡木或山毛榉的废尘）可能致癌，特别是和处理木材的添加剂（例如木材的防腐剂等）结合之后。只有经过专业训练的人才能够加工含石棉的物料。

- 尽可能使用适合物料的吸尘装置。
- 工作场所要保持空气流通。
- 最好佩戴 P2 滤网等级的口罩。

请留心并遵守贵国和加工物料有关的法规。

- ▶ **避免让工作场所堆积过多的尘垢。** 尘垢容易被点燃。

12 | 中文

外接其他的吸尘器 (参考插图 A)

把吸管接头 9 插在排气孔的接头 8 上, 务必让吸管接头上的固定装置正确卡紧。吸管接头 9 上可以连接直径 19 毫米的吸尘管。

拆卸吸管接头 9 时, 先按下接头上的固定装置的末端, 然后再拔出接头。

根据工件的物料选择合适的吸尘装置。

吸尘可能危害健康, 可能导致癌症或干燥的废尘时, 务必使用特殊的吸尘装置。

使用集尘袋吸尘 (参考插图 B)

进行小面积的研磨工作时可以使用集尘袋 (附件) 1 抽吸尘屑。把集尘袋的套管牢牢地插在接头 8 上。定期清除集尘袋 1 中的尘垢, 以确保最佳的集尘效果。

操作**操作机器**

▶ **注意电源的电压!** 电源的电压必须和电动工具铭牌上标示的电压一致。

开动 / 关闭

开动 电动工具, 按下 起停开关 7 右侧的 "I" 端。

关闭 电动工具, 按下 起停开关 7 左侧的 "O" 端。

为了节约能源, 只在当您使用机器时, 才开动电动工具。

有关操作方式的指点

- ▶ 等待电动工具停止转动后才可以放下机器。
- ▶ 维修电动工具或换装零、配件之前, 务必从插座上拔出插头。

研磨时的剥蚀功率大小, 基本上是由砂纸决定。

只有完好的砂纸才能够提高研磨功率, 并且保护电动工具。

操作机器时要均匀施压, 如此才能够提高砂纸的使用寿命。

在机器上过度施压, 不仅无法提高研磨功率, 反而容易损坏机器并提高砂纸的损耗率。

不可以使用研磨过金属的砂纸研磨其它的物料。

只能使用博世原厂的研磨附件。

维修和服务**维修和清洁**

- ▶ 维修电动工具或换装零、配件之前, 务必从插座上拔出插头。
- ▶ 电动工具和通风间隙都必须保持清洁, 这样才能够提高工作品质和安全性。

如果必须更换连接线, 务必把这项工作交给博世或者经授权的博世电动工具顾客服务执行, 以避免危害机器的安全性能。

顾客服务处和顾客咨询中心

本公司顾客服务处负责回答有关本公司产品的修理、维护和备件的问题。以下的网页中有爆炸图和备件的资料:

www.bosch-pt.com

博世顾客咨询团队非常乐意为您解答有关本公司产品及附件的问题。

如需查询和订购备件, 请务必提供产品型号铭牌上的 10 位数货号。

有关保证, 维修或更换零件事宜, 请向合格的经销商查询。

中国大陆

博世电动工具 (中国) 有限公司

中国 浙江省 杭州市

滨江区滨康路 567 号

邮政编码: 310052

免费服务热线: 4008268484

传真: (0571) 87774502

电邮: contact.ptcn@cn.bosch.com

www.bosch-pt.com.cn

罗伯特·博世有限公司

香港北角英皇道 625 号 21 楼

客户服务热线: +852 2101 0235

传真: +852 2590 9762

电邮: info@hk.bosch.com

网站: www.bosch-pt.com.hk

制造商地址:

Robert Bosch Power Tools GmbH

罗伯特·博世电动工具有限公司

70538 Stuttgart / GERMANY

70538 斯图加特 / 德国

处理废弃物

必须以符合环保的方式, 回收再利用损坏的机器、附件和废弃的包装材料。

保留修改权。

中文

安全規章

電動工具通用安全警告

警告 閱讀所有警告和所有說明。不遵照以下警告和說明會導致電擊、着火和/或嚴重傷害。

保存所有警告和說明書以備查閱。

在所有下列的警告中術語“電動工具”指市電驅動（有線）電動工具或電池驅動（無線）電動工具。

工作場地的安全

- ▶ 保持工作場地清潔和明亮。混亂和黑暗的場地會引發事故。
- ▶ 不要在易爆環境，如有易燃液體、氣體或粉塵的環境下操作電動工具。電動工具產生的火花會點燃粉塵或氣體。
- ▶ 讓兒童和旁觀者離開後操作電動工具。注意力不集中會使你失去對工具的控制。

電氣安全

- ▶ 電動工具插頭必須與插座相配。絕不能以任何方式改裝插頭。需接地的電動工具不能使用任何轉換插頭。未經改裝的插頭和相配的插座將減少電擊危險。
- ▶ 避免人體接觸接地表面，如管道、散熱片和冰箱。如果你身體接地會增加電擊危險。
- ▶ 不得將電動工具暴露在雨中或潮濕環境中。水進入電動工具將增加電擊危險。
- ▶ 不得濫用電線。絕不能用電線搬運、拉動電動工具或拔出其插頭。使電線遠離熱源、油、銳邊或運動部件。受損或纏繞的軟線會增加電擊危險。
- ▶ 當在戶外使用電動工具時，使用適合戶外使用的外接軟線。適合戶外使用的軟線，將減少電擊危險。
- ▶ 如果在潮濕環境下操作電動工具是不可避免的，應使用剩餘電流動作保護器（RCD）。使用 RCD 可減小電擊危險。

人身安全

- ▶ 保持警覺，當操作電動工具時關注所從事的操作並保持清醒。當你感到疲倦，或在有藥物、酒精或治療反應時，不要操作電動工具。在操作電動工具時瞬間的疏忽會導致嚴重人身傷害。
- ▶ 使用個人防護裝置。始終佩戴護目鏡。安全裝置，諸如適當條件下使用防塵面具、防滑安全鞋、安全帽、聽力防護等裝置能減少人身傷害。
- ▶ 防止意外起動。確保開關在連接電源和/或電池盒、拿起或搬運工具時處於關斷位置。手指放在已接通電源的開關上或開關處於接通時插入插頭可能會導致危險。

- ▶ 在電動工具接通之前，拿掉所有調節鑰匙或扳手。遺留在電動工具旋轉零件上的扳手或鑰匙會導致人身傷害。
- ▶ 手不要伸展得太長。時刻注意立足點和身體平衡。這樣在意外情況下能很好地控制電動工具。
- ▶ 著裝適當。不要穿寬鬆衣服或佩戴飾品。讓你的衣服、手套和頭髮遠離運動部件。寬鬆衣服、佩飾或長髮可能會捲入運動部件中。
- ▶ 如果提供了與排屑、集塵設備連接用的裝置，要確保他們連接完好且使用得當。使用這些裝置可減少塵屑引起的危險。

電動工具使用和注意事項

- ▶ 不要濫用電動工具，根據用途使用適當的電動工具。選用適當設計的電動工具會使你工作更有效、更安全。
- ▶ 如果開關不能接通或關斷工具電源，則不能使用該電動工具。不能用開關來控制的電動工具是危險的且必須進行修理。
- ▶ 在進行任何調節、更換附件或貯存電動工具之前，必須從電源上拔掉插頭和/或使電池盒與工具脫開。這種防護性措施將減少工具意外起動的危險。
- ▶ 將閒置不用的電動工具貯存在兒童所及範圍之外，並且不要讓不熟悉電動工具或對這些說明不瞭解的人操作電動工具。電動工具在未經培訓的用戶手中是危險的。
- ▶ 保養電動工具。檢查運動件是否調整到位或卡住，檢查零件破損情況和影響電動工具運行的其他狀況。如有損壞，電動工具應在使用前修理好。許多事故由維護不良的電動工具引發。
- ▶ 保持切削刀具鋒利和清潔。保養良好的有鋒利切削刃的刀具不易卡住而且容易控制。
- ▶ 按照使用說明書，考慮作業條件和進行的作業來使用電動工具、附件和工具的刀頭等。將電動工具用於那些與其用途不符的操作可能會導致危險。

檢修

- ▶ 將你的電動工具送交專業維修人員，必須使用同樣的備件進行更換。這樣將確保所維修的電動工具的安全性。

針對研磨機的安全規章

- ▶ 只能使用本機器進行乾磨作業。如果雨水滲入電動機器中可能導致觸電。
- ▶ 注意，有著火的危險！避免過度提高研磨表面和研磨機的溫度。務必利用工作空檔清除集塵器中的塵屑。囤積在集塵袋、微濾網、集塵紙袋（濾網袋或吸塵器濾網）上的塵垢，如果接觸了研磨金屬時產生的火花會產生自燃。如果研磨廢塵和油漆、聚亞胺脂或其它的化學原料混合後，再和經過長時間研磨而變熱的工件表面接觸，非常容易起火燃燒。

14 | 中文

- **固定好工件。** 使用固定裝置或老虎鉗固定工件，會比用手持握工件更牢固。

產品和功率描述



閱讀所有的警告提示和指示。 如未確實遵循警告提示和指示，可能導致電擊、火災並且 / 或其他的嚴重傷害。

按照規定使用機器

本機器適合在木材、塑膠、填隙料和上了保護漆的表面進行乾磨作業。

插圖上的機件

機件的編號和電動工具詳解圖上的編號一致。

- 1 集塵袋
- 2 磨板
- 3 固定夾
- 4 砂紙
- 5 針對前緊固夾的解扣鍵
- 6 前緊固夾
- 7 起停開關
- 8 排氣孔上的接頭
- 9 吸管轉接頭*
- 10 吸管*
- 11 穿孔板*
- 12 手柄（絕緣握柄）

*圖表或說明上提到的附件，並不包含在基本的供貨範圍中。本公司的附件清單中有完整的附件供應項目。

技術性數據

平板砂磨機		GSS 140 A
物品代碼		0 601 297 0..
額定輸入功率	瓦	180
無負載轉速	次 / 分	12000
空載軌道速率	次 / 分	24000
軌道直徑	毫米	1,6
砂紙尺寸		
Velcro 固定	毫米	115 x 107
使用緊固夾的砂紙	毫米	115 x 140
磨板尺寸	毫米	113 x 105
重量符合 EPTA—Procedure 01: 2014	公斤	1,4
絕緣等級		□/II

本說明書提供的參數是以 230 伏特為依據，於低電壓地區，此數據有可能不同。

安裝

- **維修電動工具或換裝零、配件之前，務必從插座上拔出插頭。**

更換砂紙

安裝新的砂紙之前，先清除磨板 2 上的污垢與灰塵，例如使用毛刷。

為了確保最佳的吸塵效果，砂紙上的孔必須和磨板上的開口對齊。

無 Velcro 固定裝置的砂紙（參考插圖 C-E）

- ❶ 按下解扣鍵 5 并保持按住的姿勢。
- ❷ 把砂紙 4 推入已經打開的前緊固夾 6 中，安裝時要盡可能地將砂紙朝內推到底。再度放開解扣鍵 5。檢查砂紙是否正確地固定在磨板的中央。
- ❸ 先向內擠壓固定夾 3，接著再把固定夾完全掀開。
- ❹ 把砂紙 4 繃緊在磨板上。將砂紙 4 的另一端放入后緊固夾和固定夾 3 上的紅色滾輪之間。
- ❺ 讓砂紙保持在繃緊的狀態，把固定夾 3 朝著磨板的方向推以便鎖牢 砂紙。

如果使用未打孔的砂紙，例如砂紙捲或根據長度販賣的砂紙，可以使用穿孔板 11 在砂紙上打孔以方便吸塵。打孔時先在電動工具上裝好砂紙，接著再把機器連同砂紙壓在穿孔板上（參考插圖 F）。

拆卸砂紙 4 時，先放鬆固定夾 3 再從後支撐中抽出砂紙。按住解扣鍵 5 然后再取出整張砂紙。

有 Velcro 固定裝置的砂紙

如果磨板 2 上配備了絨毛纖維層，您可以既快速又簡便地在磨板上固定有 Velcro 固定裝置的砂紙。

安裝砂紙 4 之前，先輕敲磨板 2 上的絨毛纖維以清除污垢，這樣可以加強磨板和砂紙的粘合效果。

先讓砂紙 4 的邊緣與磨板 2 的邊緣對齊，接著再把砂紙攤平在磨板上，順著時針的轉向輕輕地繞圈壓緊砂紙。

拆卸時，只須握住砂紙 4 的一角便可以從磨板 2 上撕下砂紙。

選擇砂紙

根據物料和需要的研磨效果，選擇合適的砂紙：

粒度	
red:Wood	40-240
加工各類木材	
進行粗加工，針對粗糙、未經過刨削的木樑和木板	粗 40, 60
磨平以及修平小的凹陷	中 80, 120
在硬木上做最後的研磨和精磨工作	細 180, 240

		粒度
whitePaint		40-240
加工顏料 / 漆料或底料、填隙料等		
磨除顏料層	粗	40, 60
拋光底色	中	80, 120
磨平底料以方便上漆	細	180, 240

吸鋸塵 / 吸鋸屑

- ▶ 含鉛的顏料以及某些木材、礦物和金屬的加工廢塵有害健康。機器操作者或者工地附近的人如果接觸、吸入這些廢塵，可能會有過敏反應或者感染呼吸道疾病。

某些塵埃（例如加工橡木或山毛櫸的廢塵）可能致癌，特別是和處理木材的添加劑（例如木材的防腐劑等）結合之後。只有經過專業訓練的人才能夠加工含石棉的物料。

- 盡可能使用適合物料的吸塵裝置。
- 工作場所要保持空氣流通。
- 最好佩戴 P2 濾網等級的口罩。

請留心並遵守貴國和加工物料有關的法規。

- ▶ **避免讓工作場所堆積過多的塵垢。** 塵埃容易被點燃。

外接其他的吸塵器（參考插圖 A）

把吸管接頭 9 插在排氣孔的接頭 8 上，務必讓吸管接頭上的固定裝置正確卡緊。吸管接頭 9 上可以連接直徑 19 毫米的吸塵管。

拆卸吸管接頭 9 時，先按下接頭上的固定裝置的末端，然後再拔出接頭。

根據工件的物料選擇合適的吸塵裝置。

吸集可能危害健康，可能導致癌症或乾燥的廢塵時，務必使用特殊的吸塵裝置。

使用集塵袋吸塵（參考插圖 B）

進行小面積的研磨工作時可以使用集塵袋（附件）1 抽吸塵屑。把集塵袋的套管牢牢地插在接頭 8 上。定期清除集塵袋 1 中的塵垢，以確保最佳的集塵效果。

操作

操作機器

- ▶ **注意電源的電壓！** 電源的電壓必須和電動工具銘牌上標示的電壓一致。

開動 / 關閉

開動 電動工具，按下 起停開關 7 右側的 "I" 端。

關閉 電動工具，按下 起停開關 7 左側的 "O" 端。

為了節約能源，只在當您要使用機器時，才開動電動工具。

有關操作方式的指點

- ▶ 等待電動工具停止轉動後才可以放下機器。
- ▶ 維修電動工具或換裝零、配件之前，務必從插座上拔出插頭。

研磨時的剝蝕功率大小，基本上是由砂紙決定。

只有完好的砂紙才能夠提高研磨功率，並且保護電動工具。

操作機器時要均勻施壓，如此才能夠提高砂紙的使用壽命。

在機器上過度施壓，不僅無法提高研磨功率，反而容易損壞機器並提高砂紙的耗損率。

不可以使用研磨過金屬的砂紙研磨其它的物料。

只能使用博世原廠的研磨附件。

維修和服務

維修和清潔

- ▶ 維修電動工具或換裝零、配件之前，務必從插座上拔出插頭。
- ▶ 電動工具和通風間隙都必須保持清潔，這樣才能夠提高工作品質和安全性。

如果必須更換連接線，務必把這項工作交給博世或者經授權的博世電動工具顧客服務執行，以避免危害機器的安全性能。

顧客服務處和顧客諮詢中心

本公司顧客服務處負責回答有關本公司產品的修理、維護和備件的問題。以下的網頁中有爆炸圖和備件的資料：

www.bosch-pt.com

博世顧客諮詢團隊非常樂意為您解答有關本公司產品及附件的問題。

當您需要諮詢或訂購備用零組件時，請務必提供本產品型號銘牌上的 10 位項目編號。

台灣

台灣羅伯特博世股份有限公司

建國北路一段 90 號 6 樓

台北市 10491

電話：(02) 2515 5388

傳真：(02) 2516 1176

www.bosch-pt.com.tw

制造商地址：

Robert Bosch Power Tools GmbH

羅伯特·博世電動工具有限公司

70538 Stuttgart / GERMANY

70538 斯圖加特 / 德國

16 | 한국어

處理廢棄物

必須以符合環保的方式，回收再利用損壞的機器、附件和廢棄的包裝材料。

保留修改權。

한국어

안전 수칙

전동공구용 일반 안전수칙

경고 모든 안전수칙과 지시 사항을 상세히 읽고 지켜야 합니다. 다음의 안전수칙과 지시 사항을 준수하지 않으면 화재 위험이 있으며 감전 혹은 중상을 입을 수 있습니다.

앞으로의 참고를 위해 이 안전수칙과 사용 설명서를 잘 보관하십시오.

다음에서 사용되는 “전동공구” 라는 개념은 전원에 연결하여 사용하는 전동 기기(전선이 있는)나 배터리를 사용하는 전동 기기(전선이 없는)를 의미합니다.

작업장 안전

- ▶ 작업장을 항상 깨끗이 하고 조명을 밝게 하십시오. 작업장 환경이 어수선하거나 어두우면 사고를 초래할 수 있습니다.
- ▶ 가연성 유체, 가스 또는 분진이 있어 폭발 위험이 있는 환경에서 전동공구를 사용하지 마십시오. 전동공구는 분진이나 증기에 점화하는 스파크를 일으킬 수 있습니다.
- ▶ 전동공구를 사용할 때 구경꾼이나 어린이 혹은 다른 사람이 작업장에 접근하지 못하게 하십시오. 다른 사람이 주의를 산만하게 하면 기기에 대한 통제를 잃기 쉽습니다.

전기에 관한 안전

- ▶ 전동공구의 전원 플러그가 전원 콘센트에 잘 맞아야 합니다. 플러그를 조금이라도 변경시켜서는 안됩니다. 접지된 전동공구를 사용할 때 어댑터 플러그를 사용하지 마십시오. 변형되지 않은 플러그와 잘 맞는 콘센트를 사용하면 감전의 위험을 감소할 수 있습니다.
- ▶ 파이프 관, 라디에이터, 레인지, 냉장고와 같은 접지 표면에 물이 닿지 않도록 하십시오. 몸에 닿을 경우 감전될 위험이 높습니다.
- ▶ 전동공구를 비에 맞지 않게 하고 습기 있는 곳에 두지 마십시오. 전동공구에 물이 들어가면 감전될 위험이 높습니다.
- ▶ 전원 코드를 잡고 전동공구를 운반하거나 걸어 놓아서 안 되며, 콘센트에서 전원 플러그를 뽑을 때 전원 코드를 잡아 당겨서는 절대로 안됩니다. 전원 코드가 열과 오일에 접촉하는 것을 피하고, 날카로운 모서리나 기기의 가동 부위에 닿지 않도록 주의하십시오.

시오. 손상되거나 영킨 전원 코드는 감전을 유발할 수 있습니다.

- ▶ 실외에서 전동공구로 작업할 때는 실외용으로 적당한 연장 전원 코드만을 사용하십시오. 실외용 연장 전원 코드를 사용하면 감전의 위험을 줄일 수 있습니다.
- ▶ 전동공구를 습기 찬 곳에서 사용해야 할 경우에는 누전 차단기를 사용하십시오. 누전 차단기를 사용하면 감전 위험을 줄일 수 있습니다.

사용자 안전

- ▶ 신중하게 작업하십시오. 작업을 할 때 주의를 하며, 전동공구를 사용할 때 경솔하게 행동하지 마십시오. 피로한 상태이거나 약물 복용 및 음주한 후에는 전동공구를 사용하지 마십시오. 전동공구를 사용할 때 잠시라도 주위가 산만해지면 중상을 입을 수 있습니다.
- ▶ 작업자 안전을 위한 장치를 사용하십시오. 항상 보안경을 착용하십시오. 전동공구의 종류와 사용에 따라 먼지 보호 마스크, 미끄러지지 않는 안전한 신발, 안전모 또는 귀마개 등의 안전한 복장을 하면 상해의 위험을 줄일 수 있습니다.
- ▶ 실수로 기기가 작동되지 않도록 주의하십시오. 전동공구를 전원에 연결하거나 배터리를 끼우기 전에, 혹은 기기를 들거나 운반하기 전에, 전원 스위치가 꺼져 있는지 다시 확인하십시오. 전동공구를 운반할 때 전원 스위치에 손가락을 대거나 전원 스위치가 켜진 상태에서 전원을 연결하면 사고 위험이 높습니다.
- ▶ 전동공구를 사용하기 전에 조절하는 톨이나 나사 키 등을 빼 놓으십시오. 회전하는 부위에 있는 톨이나 나사 키로 인해 상처를 입을 수 있습니다.
- ▶ 자신을 과신하지 마십시오. 불안정한 자세를 피하고 항상 평형을 이룬 상태로 작업하십시오. 안정된 자세와 평형한 상태로 작업해야만이 의외의 상황에서 전동공구를 안전하게 사용할 수 있습니다.
- ▶ 알맞은 작업복을 입으십시오. 헐렁한 복장을 하거나 장신구를 착용하지 마십시오. 머리나 옷 또는 장갑이 가동하는 기기 부위에 가까이 닿지 않도록 주의하십시오. 헐렁한 복장, 장신구 혹은 긴 머리는 가동 부위에 말려 사고를 초래할 수 있습니다.
- ▶ 분진 추출장치나 수거장치의 조립이 가능한 경우, 이 장치가 연결되어 있는지, 제대로 작동이 되는지 확인하십시오. 이러한 분진 추출장치를 사용하면 분진으로 인한 사고 위험을 줄일 수 있습니다.

전동공구의 올바른 사용과 취급

- ▶ 기기를 과부하 상태에서 사용하지 마십시오. 작업할 때 이에 적당한 전동공구를 사용하십시오. 알맞은 전동공구를 사용하면 지정된 성능 한도 내에서 더 효율적으로 안전하게 작업할 수 있습니다.
- ▶ 전원 스위치가 고장 난 전동공구를 사용하지 마십시오. 전원 스위치가 작동되지 않는 전동공구는 위험하므로, 반드시 수리를 해야 합니다.

- ▶ 기기에 세팅을 하거나 액세서리 부품을 교환하거나 혹은 기기를 보관할 때, 항상 전원 콘센트에서 플러그를 미리 빼어 놓으십시오. 이러한 조치는 실수로 전동공구가 작동하게 되는 것을 예방합니다.
- ▶ 사용하지 않는 전동공구는 어린이 손이 닿지 않는 곳에 보관하고, 전동공구 사용에 익숙지 않거나 이 사용 설명서를 읽지 않은 사람은 기기를 사용해서는 안 됩니다. 경험이 없는 사람이 전동공구를 사용하면 위험합니다.
- ▶ 전동공구를 조심스럽게 관리하십시오. 가동 부위가 하자 없이 정상적인 기능을 하는지, 걸리는 부위가 있는지, 혹은 전동공구의 기능에 중요한 부품이 손상되지 않았는지 확인하십시오. 손상된 기기의 부품은 전동공구를 다시 사용하기 전에 반드시 수리를 맡기십시오. 제대로 관리하지 않은 전동공구의 경우 많은 사고를 유발합니다.
- ▶ 절단 공구를 날카롭고 깨끗하게 관리하십시오. 날카로운 절단면이 있고 잘 관리된 절단공구는 걸리는 경우가 드물고 조절하기도 쉽습니다.
- ▶ 전동공구, 액세서리, 장착하는 공구 등을 사용할 때, 이 지시 사항과 특별히 기종 별로 나와있는 사용 방법을 준수하십시오. 이때 작업 조건과 실시하려는 작업 내용을 고려하십시오. 원래 사용 분야가 아닌 다른 작업에 전동공구를 사용할 경우 위험한 상황을 초래할 수 있습니다.

서비스

- ▶ 전동공구 수리는 반드시 전문 인력에게 맡기고, 수리 정비 시 보쉬 순정 부품만을 사용하십시오. 그렇게 함으로써 기기의 안전성을 오래 유지할 수 있습니다.

샌더용 안전수칙

- ▶ 본 전동공구는 건식 샌딩작업에만 사용해야 합니다. 전동 기기 안으로 물이 들어가면 감전될 위험이 높습니다.
- ▶ 화재 위험! 연마하는 작업물과 샌더가 과열되지 않도록 하십시오. 작업 중 휴식 시에 항상 분진이 들어 있는 용기를 비워 주십시오. 금속에 연마작업을 할 때 먼지 주머니, 마이크로 필터, 먼지 봉투(혹은 진공 청소기의 필터 주머니나 필터)에 들어 있는 샌딩 분진에 불꽃이 튀어 저절로 발화될 수 있습니다. 특히 니스, 폴리우레탄 혹은 다른 화학 물질과 혼합될 경우 혹은 장시간 작업 후 작업물이 뜨거워진 경우 위험하므로 주의하십시오.
- ▶ 작업물을 잘 고정하십시오. 고정장치나 기계 바이스에 끼워서 작업하면 손으로 잡는 것보다 더 안전합니다.

제품 및 성능 소개



모든 안전수칙과 지시 사항을 상세히 읽고 지켜야 합니다. 다음의 안전수칙과 지시 사항을 준수하지 않으면 화재 위험이 있으며 감전 혹은 중상을 입을 수 있습니다.

규정에 따른 사용

본 기기는 목재 플라스틱 혼합재 및 도장된 표면에 건식 샌딩을 하는 데 사용해야 합니다.

제품의 주요 명칭

제품의 주요 명칭에 표기되어 있는 번호는 기기 그림이 나와있는 면을 참고하십시오.

- 1 먼지 주머니
- 2 샌딩판
- 3 고정 장치
- 4 샌딩 페이퍼
- 5 앞쪽 고정 장치 받침대용 해제 버튼
- 6 앞쪽 고정 장치 받침대
- 7 전원 스위치
- 8 연결 부위
- 9 흡입 어댑터*
- 10 흡입 호스*
- 11 구멍 편칭기*
- 12 손잡이 (절연된 손잡이 부위)

*도면이나 설명서에 나와있는 액세서리는 표준 공급부품에 속하지 않습니다. 전체 액세서리는 저회 액세서리 프로그램을 참고하십시오.

제품 사양

오비탈 샌더		GSS 140 A
제품 번호		0 601 297 0..
소비 전력	W	180
무부하 속도	rpm	12000
무부하 진동수	min ⁻¹	24000
진동 범위 직경	mm	1.6
샌딩 페이퍼 크기		
벨크로 접착식	mm	115 x 107
고정 장치 포함한 길이	mm	115 x 140
샌딩판 크기	mm	113 x 105
EPTA 공정 01:2014 에 따른 중량	kg	1.4
안전 등급		□/II

자료는 정격 전압 [U] 230 V 를 기준으로 한 것입니다. 전압이 낮거나 각국의 특수한 모델에 따라 달라질 수 있습니다.

조립

- ▶ 전동공구를 보수 정비하기 전에 반드시 콘센트에서 전원 플러그를 빼십시오.

18 | 한국어

샌딩 페이퍼 교환하기

샌딩 페이퍼를 교환할 때 브러시 등을 사용하여 샌딩판 2의 먼지나 부스러기를 깨끗이 닦아 주십시오.

분진 제거를 완벽하게 하려면 샌딩 페이퍼의 구멍과 샌딩판의 구멍이 일치해야 합니다.

벨크로 접착식이 아닌 샌딩 페이퍼 (그림 C-E 참조)

- ① 해제 버튼 5를 누르고 누른 상태를 유지하십시오.
- ② 샌딩 페이퍼 4를 열려 있는 앞쪽 고정장치 받침대 6 아래 쪽으로 끝까지 밀고 해제 버튼 5를 다시 놓습니다. 이때 샌딩 페이퍼가 가운데 끼워지도록 해야 합니다.
- ③ 고정 장치 3을 안쪽으로 누른 다음 끝까지 돌립니다.
- ④ 샌딩 페이퍼 4를 당겨 샌딩판 위로 놓습니다. 샌딩 페이퍼 4의 다른 끝을 뒤쪽 고정장치 받침대와 고정 장치 3의 빨간 롤러 사이로 끼웁니다.
- ⑤ 샌딩 페이퍼를 팽팽하게 잡은 상태로 고정 장치 3을 샌딩판 쪽으로 눌러 샌딩 페이퍼를 고정합니다. 롤이나 미터 길이의 구멍이 없는 샌딩 페이퍼는 분진 흡입을 위해 구멍 펀칭기 11로 구멍을 낼 수 있습니다. 이때 샌딩 페이퍼를 끼운 상태의 전동공구를 구멍 펀칭기 위로 누릅니다 (그림 F 참조).

샌딩 페이퍼 4를 빼려면 고정 장치 3을 풀고 샌딩 페이퍼를 뒤쪽에서부터 잡아 당깁니다. 해제 버튼 5를 누른 다음, 샌딩 페이퍼를 완전히 빼냅니다.

벨크로 접착식 샌딩 페이퍼

샌딩판 2에 벨크로 배킹이 붙어 있으면 벨크로 접착식으로 된 샌딩 페이퍼를 빨리 간편하게 고정할 수 있습니다.

최적으로 접착되도록 하려면 샌딩판 2의 벨크로 받침판을 샌딩 페이퍼 4를 끼우기 전에 살짝 두드려 찌꺼기 등을 제거하여 주십시오.

샌딩 페이퍼 4를 샌딩판 2의 한 면에 정확히 맞도록 대고 나서, 샌딩 페이퍼를 샌딩판 위로 썩은 다음에, 이를 시계 방향으로 가볍게 돌리면서 누릅니다.

샌딩 페이퍼 4를 빼려면 한쪽 끝을 잡고 샌딩판 2에서 잡아 당깁니다.

샌딩 페이퍼의 선택

작업하려는 소재와 표면의 깎임 정도에 따라 다양한 샌딩 페이퍼가 있습니다:

입자 크기	
red:Wood	40-240
각종 목재 소재에	
거칠고 대패질하지 않은 각목이나 판자에 초벌 연마작업할 때	조도 40, 60
작고 고르지 않은 부위에 매끄럽게 연마하거나 고르게 연마할 때	중간 80, 120
경질 목재에 최종 미세 연마작업할 때	미세 180, 240

입자 크기

white:Paint

40-240

페인트 / 에나멜 도장표면, 초벌 칠, 혼합재 등에 작업할 때

페인트에 연마작업할 때	조도	40, 60
초벌칠 / 프라이머에 연마작업할 때	중간	80, 120
도장하기 전에 초벌칠에 최종 연마 작업할 때	미세	180, 240

분진 및 톱밥 추출장치

- ▶ 납 성분을 포함한 페인트나 몇몇 나무 종류, 또는 광물 성분 그리고 철과 같은 재료의 분진은 건강을 해칠 수 있습니다. 이 분진을 만지거나 호흡할 경우, 사용자나 주변 사람들은 알레르기 반응이나 호흡기 장애를 일으킬 수 있습니다. 딱딱나무나 너도밤나무와 같은 특정한 분진은 암을 유발시키며, 특히 목재 처리용으로 사용되는 부가 원료 (크로마트, 목재 보호제)와 혼합되면 암을 유발 시키게 됩니다. 석면 성분을 포함한 재료는 오직 전문가가 작업을 해야 합니다.

- 가능하면 작업을 소재에 적당한 분진 추출장치를 사용하십시오.
- 작업장의 통풍이 잘 되도록 하십시오.
- 필터등급 P2가 장착된 호흡 마스크를 사용하십시오.

작업용 재료에 관해 국가가 지정한 규정을 고려하십시오.

- ▶ **작업장에 분진이 쌓이지 않도록 하십시오.** 분진이 쉽게 발화할 수 있습니다.

외부 분진 처리 (그림 A 참조)

흡입 어댑터 9를 연결 부위 8에 끼웁니다. 이때 흡입 어댑터의 고정 레버가 잘 끼워졌는지 확인하십시오. 흡입 어댑터 9에 직경이 19 mm 인 진공 호스를 연결할 수 있습니다.

흡입 어댑터 9를 빼려면 그 고정 레버의 뒷쪽을 함께 누른 다음, 흡입 어댑터를 잡아 당기십시오.

진공 청소기는 작업하는 소재에 적당한 것이어야 합니다.

특히 건강에 유해한 발암성 혹은 건조한 분진을 처리해야 할 경우에는 특수한 청소기를 사용해야 합니다.

먼지 주머니를 사용한 자체 분진 처리 (그림 B 참조)

간단한 작업을 할 때는 먼지 주머니 (별매 액세서리) 1을 연결하여 사용할 수 있습니다. 먼지 주머니 끼우는 부분을 연결 부위 8에 꼭 끼우십시오. 먼지가 제대로 모아지도록 하려면 먼지 주머니 1을 적시에 비워 주십시오.

작동

기계 시동

- ▶ **공공 배전 전압에 주의! 공급되는 전원의 전압은 전 동공구의 명판에 표기된 전압과 동일해야 합니다.**

전원 스위치 작동

전동공구를 작동하려면 전원 스위치 7 을 오른쪽으 로 "I" 위치로 누릅니다.

전동공구의 스위치를 끄려면 전원 스위치 7 을 왼쪽으 로 "0" 위치로 누릅니다.

에너지를 절약하기 위해 전동공구를 사용할 경우에만 스위치를 켜십시오.

사용방법

- ▶ 전동공구가 완전히 정지한 다음에 기기를 내려 놓으 십시오.
- ▶ 전동공구를 보수 정비하기 전에 반드시 콘센트에서 전원 플러그를 빼십시오.

샌딩작업의 성공 여부는 주로 샌딩 페이퍼의 선택에 달 려 있습니다.

아무런 하자가 없는 샌딩 페이퍼를 사용해야 훌륭한 샌 딩작업 결과를 얻을 수 있고 전동공구를 보호할 수 있 습니다.

일정한 압력으로 작업을 하면 샌딩 페이퍼의 수명을 연 장할 수 있습니다.

지나치게 눌러 작업을 하면, 샌딩 효과가 좋아지는 것 이 아니라 전동공구와 샌딩 페이퍼가 더 빨리 소모됩니 다.

금속 소재에 사용했던 샌딩 페이퍼를 다른 소재에 사용 해서 는 안됩니다.

보쉬 순정 샌딩 액세서리만을 사용하십시오.

보수 정비 및 서비스

보수 정비 및 유지

- ▶ 전동공구를 보수 정비하기 전에 반드시 콘센트에서 전원 플러그를 빼십시오.
- ▶ **안전하고 올바른 작동을 위하여 전동공구와 전동공 구의 통풍구를 항상 깨끗이 하십시오.**

연결 코드를 교환해야 할 경우 안전을 기하기 위해 보 슈사나 보쉬 지정 전동공구 서비스 센터에 맡겨야 합니 다.

보쉬 AS 및 고객 상담

보쉬는 귀하의 제품 및 수리에 관한 문의를 받고 있습 니다.

AS 센터 정보 및 제품에 대한 고객 상담은 하기 고객 콜센터 및 이메일 상담을 이용해주시기 바랍니다.

고객 콜센터 : 080-955-0909

이메일 상담 :

Bosch-pt.hotline@kr.bosch.com

문이나 대체 부품 주문 시에는 반드시 제품 네임 플레 이트에 있는 10 자리의 부품번호를 알려 주십시오.

Bosch Korea, RBKR
Mechanics and Electronics Ltd.
PT/SAX-ASA

298 Bojeong-dong Giheung-gu
Yongin-si, Gyeonggi-do, 446-913
Republic of Korea
080-955-0909

처리

기기와 액세서리 및 포장 등은 친환경적인 방법으로 재 활용할 수 있도록 분류하십시오.

위 사항은 사전 예고 없이 변경될 수도 있습니다.

ภาษาไทย

กฎระเบียบเพื่อความปลอดภัย

คำเตือนทั่วไปเพื่อความปลอดภัย ในการใช้เครื่องมือไฟฟ้า

⚠ คำเตือน ต้องอ่านคำเตือนเพื่อความปลอดภัยและ คำสั่งทั้งหมด การไม่ปฏิบัติตามคำเตือน และคำสั่งอาจเป็นสาเหตุให้ถูกไฟฟ้าดูด เกิดไฟไหม้ และ/หรือ ได้รับบาดเจ็บอย่างร้ายแรง

เก็บรักษาคำเตือนและคำสั่งทั้งหมดสำหรับเปิดอ่านใน ภายหลัง

คำว่า "เครื่องมือไฟฟ้า" ในคำเตือนหมายถึง เครื่องมือไฟฟ้า ของท่านที่ทำงานด้วยพลังงานไฟฟ้าที่ต่อจากเต้าเสียบ (มีสายไฟฟ้า) และเครื่องมือไฟฟ้าที่ทำงานด้วยพลังงาน ไฟฟ้าจากแบตเตอรี่ (ไร้สาย)

ความปลอดภัยในสถานที่ทำงาน

- ▶ **รักษาสถานที่ทำงานให้สะอาดและมีไฟส่องสว่างดี** สถานที่ที่มีมืดหรือรกรุงรึงนำมาซึ่งอุบัติเหตุ
- ▶ **อย่าใช้เครื่องมือไฟฟ้าในสภาพแวดล้อมที่เสี่ยงต่อ การติดระเบิดได้ เช่น ในที่มีมีของเหลว แก๊ส หรือ ผุ่นที่ติดไฟได้** เมื่อใช้เครื่องมือไฟฟ้าจะเกิดประกายไฟซึ่ง อาจจุดผุ่นหรือไอให้ลุกเป็นไฟได้
- ▶ **ขณะใช้เครื่องมือไฟฟ้าทำงาน ต้องกั้นเด็กและผู้ยืนดู ให้ออกห่าง** การหันเหความสนใจอาจทำให้ท่านขาดการ ควบคุมเครื่องได้

20 | ภาษาไทย

ความปลอดภัยเกี่ยวกับไฟฟ้า

- ▶ ปลั๊กของเครื่องมือไฟฟ้าต้องมีขนาดพอดีกับเต้าเสียบ อย่าตัดแปลงหรือแก้ไขตัวปลั๊กอย่างเด็ดขาด อย่าต่อปลั๊กต่อใดๆ เข้ากับเครื่องมือไฟฟ้าที่มีสายดิน ปลั๊กที่ไม่ตัดแปลงและเต้าเสียบที่เข้ากันช่วยลดความเสี่ยงจากการถูกไฟฟ้าดูด
- ▶ หลีกเลี่ยงไม่ให้ร่างกายสัมผัสกับพื้นผิวของสิ่งของที่ต่อสายดินไว้ เช่น ท่อ เครื่องทำความร้อน เตา และตู้เย็น จะเสี่ยงอันตรายจากการถูกไฟฟ้าดูดมากขึ้นหากกระแสไฟฟ้าวิ่งผ่านร่างกายของท่านลงดิน
- ▶ อย่าวางเครื่องมือไฟฟ้าคาบคนหรือทิ้งไว้ในที่ชื้นและหากนำเข้าไปในเครื่องมือไฟฟ้า จะเพิ่มความเสี่ยงจากการถูกไฟฟ้าดูด
- ▶ อย่าใช้สายไฟฟ้าอย่างผิดๆ อย่าถือเครื่องมือไฟฟ้าที่สาย อย่าใช้สายแวนเครื่อง หรืออย่างสายไฟฟ้าเพื่อถอดปลั๊กออกจากเต้าเสียบ กันสายไฟฟ้าออกห่างจากความร้อน น้ำมัน ขอบแหลมคม หรือส่วนของเครื่องที่กำลังเคลื่อนไหว สายไฟฟ้าที่ชำรุดหรือพันกันอยู่เพิ่มความเสี่ยงจากการถูกไฟฟ้าดูด
- ▶ เมื่อใช้เครื่องมือไฟฟ้าทำงานกลางแจ้ง ให้ใช้สายไฟต่อที่ได้รับรองให้ใช้ต่อในที่กลางแจ้งเท่านั้น การใช้สายไฟต่อที่เหมาะสมสำหรับงานกลางแจ้งช่วยลดอันตรายจากการถูกไฟฟ้าดูด
- ▶ หากไม่สามารถหลีกเลี่ยงการใช้เครื่องมือไฟฟ้าทำงานในสถานที่เปียกชื้นได้ ให้ใช้สวิตช์ตัดวงจรเมื่อเกิดการรั่วไหลของไฟฟ้าจากสายดิน การใช้สวิตช์ตัดวงจรเมื่อเกิดการรั่วไหลของไฟฟ้าจากสายดินช่วยลดความเสี่ยงต่อการถูกไฟฟ้าดูด

ความปลอดภัยของบุคคล

- ▶ ท่านต้องอยู่ในสภาพเตรียมพร้อม ระมัดระวังในสิ่งที่กำลังทำอยู่ และมีสติขณะใช้เครื่องมือไฟฟ้าทำงาน อย่าใช้เครื่องมือไฟฟ้าขณะที่ท่านกำลังเหนื่อย หรืออยู่ภายใต้การครอบงำของฤทธิ์ของยาเสพติด แอลกอฮอล์ และยา เมื่อใช้เครื่องมือไฟฟ้าทำงาน ในชั่วขณะที่ท่านขาดความเอาใจใส่อาจทำให้บุคคลบาดเจ็บอย่างรุนแรงได้
- ▶ ใช้อุปกรณ์ปกป้องร่างกาย สวมแว่นตาป้องกันเสมอ อุปกรณ์ปกป้อง เช่น หน้ากากกันฝุ่น รองเท้านิรภัย หมวกแข็ง หรืออุปกรณ์ป้องกันเสียงดัง ที่เลือกใช้ตามความเหมาะสมกับสภาพการทำงาน สามารถลดอันตรายต่อบุคคลได้
- ▶ บังคับการตัดเครื่องโดยไม่ตั้งใจ ต้องดูให้แน่ใจว่าสวิตช์อยู่ในตำแหน่งปิดก่อนเสียบปลั๊กไฟเข้าในเต้าเสียบ และ/หรือใส่แท่งแบตเตอรี่ ยุกขึ้นหรือถือเครื่องมือ การถือเครื่องโดยใช้นิ้วหัวที่สวิตช์ หรือเสียบปลั๊กไฟขณะสวิตช์เปิดอยู่ อาจนำไปสู่อุบัติเหตุที่ร้ายแรงได้
- ▶ เอาเครื่องมือปรับแต่งหรือประแจปากตายออกจากเครื่องมือไฟฟ้าก่อนเปิดสวิตช์ เครื่องมือหรือประแจปากตายที่วางอยู่กับส่วนของเครื่องที่กำลังหมุนจะทำให้บุคคลบาดเจ็บได้
- ▶ หลีกเลี่ยงการตั้งงัดที่ผิดปกติ ตั้งท้ายขึ้นที่มั่นคงและวางน้ำหนักให้สมดุลตลอดเวลา ในลักษณะนี้ท่านสามารถควบคุมเครื่องมือไฟฟ้าในสถานการณ์ที่ไม่คาดคิดได้ดีกว่า

- ▶ ใส่เสื้อผ้าที่เหมาะสม อย่าใส่เสื้อผ้าหลวมหรือสวมเครื่องประดับ เอาหมวก เสื้อผ้า และถุงมือออกห่างส่วนของเครื่องที่กำลังหมุน เสื้อผ้าหลวม เครื่องประดับ และผมยาวอาจเข้าไปติดในส่วนของเครื่องที่กำลังหมุนได้
- ▶ หากต้องต่อเครื่องมือไฟฟ้าเข้ากับเครื่องดูดฝุ่นหรือเครื่องเก็บผง ดูให้แน่ใจว่าการเชื่อมต่อและการใช้งานเป็นไปอย่างถูกต้อง การใช้อุปกรณ์ดูดฝุ่นช่วยลดอันตรายที่เกิดจากฝุ่นได้

การใช้และการดูแลรักษาเครื่องมือไฟฟ้า

- ▶ อย่าใช้เครื่องมือไฟฟ้าอย่างหักโหม ใช้เครื่องมือไฟฟ้าที่ถูกต้องตรงตามลักษณะงาน เครื่องมือไฟฟ้าที่ถูกต้องจะทำงานได้ดีกว่าและปลอดภัยกว่าในระดับสมรรถภาพที่ออกแบบไว้
- ▶ อย่าใช้เครื่องมือไฟฟ้าที่สวิตช์เปิดปิดเสีย เครื่องมือไฟฟ้าที่ไม่สามารถควบคุมการเปิดปิดด้วยสวิตช์ได้ เป็นเครื่องมือไฟฟ้าที่ไม่ปลอดภัยและต้องส่งซ่อมแซม
- ▶ ก่อนปรับแต่งเครื่อง เปลี่ยนอุปกรณ์ประกอบ หรือเก็บเครื่องเข้าที่ ต้องถอดปลั๊กไฟออกจากเต้าเสียบและ/หรือถอดแท่งแบตเตอรี่ออกจากเครื่องมือไฟฟ้า มาตรการป้องกันเพื่อความปลอดภัยซึ่งช่วยลดความเสี่ยงจากการตัดเครื่องโดยไม่ตั้งใจ
- ▶ เมื่อเลิกใช้งานเครื่องมือไฟฟ้า ให้เก็บเครื่องมือไฟฟ้าที่เด็กหยิบไม่ถึง และไม่อนุญาตให้บุคคลที่ไม่คุ้นเคยกับเครื่องมือหรือบุคคลที่ไม่ได้อ่านคำแนะนำนี้ ใช้เครื่องมือไฟฟ้าเป็นของอันตรายหากตกอยู่ในมือของผู้ใช้ที่ไม่ได้รับการฝึกฝน
- ▶ เอาใจใส่ดูแลรักษาเครื่อง ตรวจสอบส่วนที่เคลื่อนไหวได้ของเครื่องว่าวางอยู่ตรงแนวหรือติดขัดหรือไม่ ตรวจสอบการแตกหักของชิ้นส่วนและสภาพอื่นใดที่อาจมีผลต่อการทำงานของเครื่องมือไฟฟ้า หากชำรุดต้องส่งเครื่องมือไฟฟ้าซ่อมแซมก่อนใช้งาน อุบัติเหตุหลายอย่างเกิดขึ้นเนื่องจากดูแลรักษาเครื่องมือไม่ดีพอ
- ▶ รักษาเครื่องมือตัดให้คมและสะอาด หากบำรุงรักษาเครื่องมือที่มีขอบตัดแหลมคมอย่างถูกต้อง จะสามารถตัดได้ลื่นไม่ติดขัดและควบคุมได้ง่ายกว่า
- ▶ ใช้เครื่องมือไฟฟ้า อุปกรณ์ประกอบ เครื่องมือ และอุปกรณ์อื่นๆ ให้ตรงตามคำแนะนำนี้ และในลักษณะตามที่เครื่องมือไฟฟ้าประเภทนั้นๆ กำหนดไว้ โดยต้องคำนึงถึงเงื่อนไขการทำงานและงานที่จะทำด้วย การใช้เครื่องมือไฟฟ้าทำงานที่ต่างไปจากวัตถุประสงค์การใช้งานของเครื่อง อาจนำไปสู่สถานการณ์ที่เป็นอันตรายได้

การบริการ

- ▶ ส่งเครื่องมือไฟฟ้าให้ช่างผู้เชี่ยวชาญตรวจสอบและใช้อะไหล่เปลี่ยนของแท้เท่านั้น ในลักษณะนี้ท่านจะแน่ใจได้ว่าเครื่องมือไฟฟ้าอยู่ในสภาพที่ปลอดภัย

คำเตือนเพื่อความปลอดภัยสำหรับเครื่องขั้วต

- ▶ เครื่องนี้ใช้สำหรับการขั้วตเท่านั้น หากนำขั้วตลอดเข้าไปในตัวเครื่องจะเพิ่มความเสี่ยงจากการถูกไฟฟ้าดูด
- ▶ ระวังอันตรายจากการลุกไหม้! หลีกเลี่ยงอย่าให้วัสดุชิ้นงานและเครื่องขั้วตร้อนเกินไป ถ้ายางออกจากกล่องเก็บผงก่อนทำงานทุกครั้ง ในสถานการณ์ที่ไม่เหมาะสม ต.ย. เช่น เมื่อเกิดประกายไฟจากโลหะที่กำลังขั้วต เศษผง

ที่ได้จากการขัดที่อยู่ในถุงเก็บผง เครื่องกรองไมโคร หรือ ลูกกระดาด (หรือในถุงกรอง หรือเครื่องกรองของเครื่องดูดฝุ่น) อาจจุดลุกเป็นไฟขึ้นเองได้ โดยเฉพาะอย่างยิ่งเมื่อเศษผงผสมปนกับเศษน้ำมันเคลือบเงา เศษโพลียูรีเทน หรือเศษวัสดุเคมีอื่นๆ และเมื่อเศษผงขัดเกิดร้อนขึ้น หลังจากใช้เครื่องทำงานเป็นเวลานาน

- ▶ **ยึดชิ้นงานให้แน่น** การยึดชิ้นงานด้วยเครื่องหนีบหรือแท่นจับจะมั่นคงกว่าการยึดด้วยมือ

รายละเอียดผลิตภัณฑ์และข้อมูลจำเพาะ



ต้องอ่านค่าเตือนเพื่อความปลอดภัยและคำสั่งทั้งหมด การไม่ปฏิบัติตามค่าเตือนและคำสั่งอาจเป็นสาเหตุให้ถูกไฟฟ้าดูด เกิดไฟไหม้ และ/หรือได้รับบาดเจ็บอย่างร้ายแรง

ประโยชน์การใช้งานของเครื่อง

เครื่องนี้ใช้สำหรับการขัดแห้งบนเนื้อไม้ พลาสติก วัสดุเหลว ใช้อัดเนื้อไม้ และผิวเคลือบเงา

ส่วนประกอบผลิตภัณฑ์

ลำดับเลขของส่วนประกอบผลิตภัณฑ์อ้างอิงถึงส่วนประกอบของเครื่องที่แสดงในหน้าภาพประกอบ

- 1 ถุงเก็บผง
- 2 แผ่นฐานขัด
- 3 ก้านหนีบกระดาษทราย
- 4 กระดาษทราย
- 5 ปุ่มปลดก้านหนีบหนีบ
- 6 ก้านหนีบหน้า
- 7 สวิตช์เปิด-ปิด
- 8 ท่อระบายออก
- 9 ขั้วปรับท่อดูดฝุ่น*
- 10 ท่อดูดฝุ่น*
- 11 เครื่องมือเจาะรู*
- 12 ตามจับ (พื้นผิวจับหุ้มฉนวน)

* อุปกรณ์ประกอบที่แสดงหรือระบุไม่รวมอยู่ในการจัดส่งมาตรฐาน กรุณาดูอุปกรณ์ประกอบทั้งหมดในรายการแสดงอุปกรณ์ประกอบของเรา

ข้อมูลทางเทคนิค

เครื่องขัดเส้นสะท้อน		GSS 140 A
หมายเลขสินค้า		0 601 297 0..
กำลังไฟฟ้าเข้ากำหนด	วัตต์	180
ความเร็วรอบเดินตัวเปล่า	รอบ/นาที	12000
อัตราแกว่งเส้นสะท้อนเดินตัวเปล่า	รอบ/นาที	24000
เส้นผ่าศูนย์กลางระยะแกว่งสะท้อน	มม.	1.6
ค่าที่ใช้ได้กับแรงดันไฟฟ้าระบุ [U] 230 โวลต์ ค่าเหล่านี้อาจผิดแผกไปสำหรับแรงดันไฟฟ้าที่ต่ำกว่า และโมเดลที่สร้างสำหรับเฉพาะประเทศ		

เครื่องขัดเส้นสะท้อน		GSS 140 A
ขนาดกระดาษทรายติดโดยการเชื่อมประสาน (Velcro)	มม.	115 x 107
ติดโดยการหนีบ	มม.	115 x 140
ขนาดแผ่นฐานขัด	มม.	113 x 105
น้ำหนักตามระเบียบการ-EPTA-Procedure 01:2014	กก.	1.4
ระดับความปลอดภัย		<input type="checkbox"/> I / II
ค่าที่ใช้ได้กับแรงดันไฟฟ้าระบุ [U] 230 โวลต์ ค่าเหล่านี้อาจผิดแผกไปสำหรับแรงดันไฟฟ้าที่ต่ำกว่า และโมเดลที่สร้างสำหรับเฉพาะประเทศ		

การประกอบ

- ▶ **ดึงปลั๊กไฟออกจากเต้าเสียบก่อนปรับแต่งเครื่อง**

การเปลี่ยนกระดาษทราย

เมื่อต้องการใส่กระดาษทรายแผ่นใหม่ ให้เอาฝุ่นหรือเศษวัสดุใดๆ ออกจากแผ่นฐาน 2 (ต. ย. เช่น ใช้แปรงปัด) เพื่อดูดฝุ่นออกได้ดีที่สุด ต้องเอาใจใส่ดูให้รูเจาะในกระดาษทรายตรงกับรูในแผ่นฐานขัด

กระดาษทรายชนิดไม่เชื่อมประสาน (ดูภาพประกอบ C-E)

- 1 กดปุ่มปลด 5 และกดค้างไว้
- 2 สอดกระดาษทราย 4 เข้าได้ก้านหนีบหน้า 6 ที่เปิดอยู่จนสุด แล้วจึงปล่อยนิ้วจากปุ่มปลด 5 อีกครั้ง เอาใจใส่ดูให้กระดาษทรายถูกหนีบอยู่ตรงกลาง
- 3 กดก้านหนีบกระดาษทราย 3 เข้าด้านในและหมุนก้านออกไปจนสุด
- 4 ทาบกระดาษทราย 4 ให้ตึงบนแผ่นฐานขัด สอดปลายอีกด้านหนึ่งของกระดาษทราย 4 เข้าระหว่างแถบหนีบหลังและลูกกลิ้งลิ้นแดงที่ก้านหนีบกระดาษทราย 3
- 5 ชิงกระดาษทรายไว้และกดก้านหนีบกระดาษทราย 3 เข้าหาแผ่นฐานขัดเพื่อล็อกกระดาษทราย

กระดาษทรายที่ไม่มีรู ต. ย. เช่น กระดาษทรายที่จำหน่ายเป็นม้วนหรือเป็นเมตร สามารถนำมาเจาะรูเพื่อดูดฝุ่นออกด้วยเครื่องมือเจาะรู 11 เมื่อต้องการเจาะรู ให้กดเครื่องมือไฟฟ้าที่ประกอบกระดาษทรายแล้วลงบนเครื่องมือเจาะรู (ดูภาพประกอบ F)

เมื่อต้องการเอากระดาษทราย 4 ออก ให้คลายก้านหนีบกระดาษทราย 3 และดึงกระดาษทรายออกจากอุปกรณ์ยึดทางด้านท้าย กดปุ่มปลด 5 จากนั้นเอากระดาษทรายทั้งแผ่นออก

กระดาษทรายชนิดเชื่อมประสาน (Velcro)

หากแผ่นฐานขัด 2 บุด้วยเส้นใยเชื่อมประสาน ท่านจะสามารถติดกระดาษทรายชนิดเชื่อมประสานได้อย่างสะดวกและรวดเร็ว

เมื่อจะติดกระดาษทราย 4 ให้เคาะเศษผงออกจากเส้นใยเชื่อมประสานบนแผ่นฐานขัด 2 จึงจะติดได้สนิทที่สุด

22 | ภาษาไทย

ตามกระดาษทราย 4 ให้เสมอกับขอบด้านหนึ่งของแผ่นฐานขัด 2 จากนั้นจึงปฏิกิริยากระดาษทรายให้ราบบนแผ่นฐานขัด และกดกระดาษทรายลงโดยหมุนไปในทิศทางเข็มนาฬิกาเล็กน้อย เมื่อต้องการเอากระดาษทราย 4 ออก ให้จับตรงปลายด้านใดด้านหนึ่งของกระดาษทราย และดึงกระดาษทรายออกจากแผ่นฐานขัด 2

การเลือกกระดาษทราย

เลือกใช้กระดาษทรายชนิดต่างๆ กัน ตามประเภทวัสดุชิ้นงาน และตามความหนาบางที่ต้องการขัดออก:

ขนาดเม็ดทราย	
red:Wood	40–240
สำหรับขัดไม้ทุกประเภท	
สำหรับขัดหยาบ ด. ย. เช่น ไม้คาน และแผ่นกระดานซรุซระไม่รายเรียบ	หยาบ 40, 60
สำหรับขัดแต่งพื้นหน้าและปรับผิวซรุซระเล็กน้อยให้เรียบ	ปานกลาง 80, 120
สำหรับขัดสำเร็จและขัดละเอียด	ละเอียด 180, 240
white:Paint	40–240
สำหรับขัดสี/ผิวเคลือบเงาหรือวัสดุรองพื้น และวัสดุอุดรู	
สำหรับขัดสีออก	หยาบ 40, 60
สำหรับขัดสีรองพื้น	ปานกลาง 80, 120
สำหรับขัดสีรองพื้นชั้นสุดท้ายก่อนฉาบผิว	ละเอียด 180, 240

การดูดฝุ่น/ซีลื้อย

- ▶ ฝุ่นที่ได้จากวัสดุ เช่น เคลือบผิวที่มีสารตะกั่ว ไม้ยางประเภทแรธาต และโลหะ อาจเป็นอันตรายต่อสุขภาพ การสัมผัสหรือการหายใจเอาฝุ่นเข้าไปอาจทำให้เกิดปฏิกิริยาแพ้ฝุ่นและ/หรือนำมาซึ่งโรคติดเชื้อระบบหายใจแก่ผู้ใช้เครื่องหรือผู้ที่ยืนอยู่ใกล้เคียง
 - ฝุ่นบางประเภท เช่น ฝุ่นไม้โอ๊ก หรือไม้บีช นับเป็นสารที่ทำให้เกิดมะเร็ง โดยเฉพาะอย่างยิ่งเมื่อผสมกับสารเติมแต่งเพื่อบำบัดไม้ (โครเมต ผลิตภัณฑ์รักษาเนื้อไม้) สำหรับวัสดุที่มีแอลสเบทอสต้องให้ผู้เชี่ยวชาญทำงานเท่านั้น
 - ใช้ระบบดูดฝุ่นออกที่เหมาะสมกับประเภทวัสดุ มากเท่าที่จะทำได้
 - จัดสถานที่ทำงานให้มีการระบายอากาศที่ดี
 - ขอแนะนำให้สวมหน้ากากป้องกันการติดเชื้อที่มีระดับ-ไส้กรอง P2
- ปฏิบัติตามกฎข้อบังคับสำคัญอื่นๆ ที่เกี่ยวกับวัสดุชิ้นงานที่บังคับใช้ในประเทศของท่าน
- ▶ **ป้องกันการสะสมของฝุ่นในสถานที่ทำงาน** ฝุ่นสามารถถูกใหม่อย่างง่ายดาย

การดูดฝุ่นด้วยเครื่องดูดฝุ่นภายนอก (รูปภาพประกอบ A)

เลื่อนข้อต่อท่อดูดออก 9 เข้าบนท่อระบายออก 8 คูให้ก้านล็อคของข้อต่อท่อดูดออกขบเข้า ข้อต่อท่อดูดออก 9 สามารถต่อเข้ากับท่อดูดฝุ่นที่มีขนาดเส้นผ่าศูนย์กลาง 19 มม.

เมื่อต้องการถอดข้อต่อท่อดูดออก 9 ให้กดตรงท้ายก้านล็อคเข้าหากันและดึงข้อต่อท่อดูดออก

เครื่องดูดฝุ่นต้องมีลักษณะการใช้งานที่เหมาะสมกับประเภทวัสดุชิ้นงาน

ในกรณีดูดฝุ่นแห้งที่เป็นอันตรายต่อสุขภาพอย่างยิ่งหรืออาจก่อให้เกิดมะเร็งได้ ให้ใช้เครื่องดูดฝุ่นพิเศษ

การดูดฝุ่นในตัวด้วยถุงเก็บผง (รูปภาพประกอบ B)

สำหรับงานขัดเล็กๆ สามารถต่อถุงเก็บผง 1 (อุปกรณ์ประกอบ) เข้าได้ สวมปลอกสวมของถุงเก็บผงเข้าบนท่อระบายออก 8 อย่างมั่นคง เพื่อให้คงเก็บผงให้ได้ดีที่สุด ต้องเทผงในถุงเก็บผง 1 ออกในเวลาอันควร

การปฏิบัติงาน

เริ่มต้นปฏิบัติงาน

- ▶ **ให้สังเกตแรงดันไฟฟ้า! แรงดันไฟฟ้าจากแหล่งจ่ายไฟฟ้าต้องมีค่าตรงกับค่าแรงดันไฟฟ้าที่ระบุไว้บนแผ่นป้ายพิกัดเครื่อง**

การเปิด-ปิดเครื่อง

เปิดเครื่องทำงานโดยกดสวิตช์เปิด-ปิด 7 ไปทางขวาที่ตำแหน่ง "I"

ปิดเครื่องโดยกดสวิตช์เปิด-ปิด 7 ไปทางซ้ายที่ตำแหน่ง "0" เพื่อประหยัดพลังงาน เปิดสวิตช์เครื่องมือไฟฟ้าเฉพาะเมื่อใช้งานเท่านั้น

ข้อแนะนำในการทำงาน

- ▶ **ก่อนวางเครื่องลงบนพื้น ต้องรองจนเครื่องหยุดนิ่งอยู่กับที่แล้ว**

- ▶ **ดึงปลั๊กไฟออกจากเต้าเสียบก่อนปรับแต่งเครื่อง**

ขณะขัด ประสิทธิภาพในการขัดออก ส่วนใหญ่จะถูกกำหนดโดยชนิดของกระดาษทรายที่เลือกใช้

กระดาษทรายสภาพดีเท่านั้นที่จะขัดได้ดีมีประสิทธิภาพและช่วยยืดอายุการใช้งานของเครื่อง

เอาใจใส่กับเครื่องลงบนชิ้นงานด้วยแรงกดที่ราบเรียบเสมอกันเพื่อยืดอายุการทำงานของกระดาษทราย

การกดเครื่องลงมากเกินไปไม่ช่วยเพิ่มประสิทธิภาพการขัด แต่จะทำให้เครื่องและกระดาษทรายสึกเร็วขึ้น

กระดาษทรายที่ขัดโลหะไปแล้ว ไม่ควรนำมาขัดวัสดุประเภทอื่น

ใช้เฉพาะอุปกรณ์ขัดของแท้ของ บ็อช เท่านั้น

การบำรุงรักษาและการบริการ

การบำรุงรักษาและการทำความสะอาด

- ▶ **ดึงปลั๊กไฟออกจากเต้าเสียบก่อนปรับแต่งเครื่อง**

- ▶ **เพื่อให้ทำงานได้อย่างถูกต้องและปลอดภัย ต้องรักษาเครื่องและช่องระบายอากาศให้สะอาดอยู่เสมอ**

เมื่อจำเป็นต้องเปลี่ยนสายไฟฟ้า ให้ส่งเครื่องให้บริษัท

บ็อชหรือศูนย์บริการลูกค้าสำหรับเครื่องมือไฟฟ้า บ็อช ที่ได้รับมอบหมายทำการเปลี่ยนให้ เพื่อหลีกเลี่ยงอันตรายด้านความปลอดภัย

การบริการหลังการขายและคำแนะนำการใช้งาน

ศูนย์บริการหลังการขายของเรายินดีตอบคำถามเกี่ยวกับการบำรุงรักษาและการซ่อมแซมผลิตภัณฑ์ของท่าน รวมทั้งชิ้นส่วนอะไหล่ ภาพแยกชิ้นประกอบและข้อมูลเกี่ยวกับชิ้นส่วนอะไหล่ยังสามารถดูได้ใน:

www.bosch-pt.com

ทีมงานให้คำแนะนำการใช้งานของ บ็ช ยินดีตอบคำถามเกี่ยวกับผลิตภัณฑ์ของเราและอุปกรณ์ประกอบของผลิตภัณฑ์

เมื่อต้องการสอบถามและสั่งซื้ออะไหล่ กรุณาแจ้งหมายเลขสินค้า 10 หลักบนแผ่นป้ายรุ่นของผลิตภัณฑ์ทุกครั้ง ในกรณีประกัน ซ่อมแซม หรือซื้อชิ้นส่วนมาเปลี่ยน กรุณาติดต่อ ผู้ขายที่ได้รับแต่งตั้งเท่านั้น

ไทย

บริษัท โรเบิร์ต บ็ช จำกัด
ชั้น 11 ตึกลิเบอร์ตี สแควร์

287 ถนนสีลม บางรัก

กรุงเทพฯ 10500

โทรศัพท์ 02 6393111

โทรสาร 02 2384783

บริษัท โรเบิร์ต บ็ช จำกัด ตู้ ปณ. 2054

กรุงเทพฯ 10501 ประเทศไทย

www.bosch.co.th

ศูนย์บริการซ่อมและฝึกอบรม บ็ช
อาคาร ลาซาลทาวเวอร์ ชั้น G ห้องเลขที่ 2

บ้านเลขที่ 10/11 หมู่ 16

ถนนศรีนครินทร์

ตำบลบางแก้ว อำเภอบางพลี

จังหวัดสมุทรปราการ 10540

ประเทศไทย

โทรศัพท์ 02 7587555

โทรสาร 02 7587525

การกำจัดขยะ

เครื่องมือ อุปกรณ์ประกอบ และที่บ่อ ต้องนำไปแยกประเภทวัสดุเพื่อนำกลับมาใช้ใหม่โดยไม่ทำลายสภาพแวดล้อม

ขอสงวนสิทธิ์ในการเปลี่ยนแปลงโดยไม่ต้องแจ้งล่วงหน้า

Bahasa Indonesia

Petunjuk-Petunjuk untuk Keselamatan Kerja

Petunjuk-Petunjuk Umum untuk Perkakas Listrik

⚠ PERHATIKANLAH Bacalah semua petunjuk-petunjuk untuk keselamatan kerja dan petunjuk-petunjuk untuk penggunaan.

Kesalahan dalam menjalankan petunjuk-petunjuk untuk keselamatan kerja dan petunjuk-petunjuk untuk penggunaan dapat mengakibatkan kontak listrik, kebakaran dan/atau luka-luka yang berat.

Simpanlah semua petunjuk-petunjuk untuk keselamatan kerja dan petunjuk-petunjuk lainnya untuk penggunaan di masa depan.

Kata „perkakas listrik“ yang disebutkan di dalam petunjuk-petunjuk untuk keselamatan kerja adalah sebutan untuk perkakas listrik pakai listrik jaringan (dengan kabel) dan untuk perkakas listrik tenaga baterai (tanpa kabel listrik).

Keselamatan kerja di tempat kerja

▶ Jagalah supaya tempat kerja selalu bersih dan terang.

Tempat kerja yang tidak rapi atau tidak terang dapat mengakibatkan terjadinya kecelakaan.

▶ Janganlah menggunakan perkakas listrik di tempat di mana dapat terjadi ledakan, di mana ada cairan, gas atau debu yang mudah terbakar.

Perkakas listrik dapat memancarkan bunga api yang lalu mengakibatkan debu atau uap terbakar.

▶ Selama menggunakan perkakas listrik, jauhkan anak-anak dan orang-orang lain dari tempat kerja.

Perkakas listrik dapat memancarkan bunga api yang lalu mengakibatkan debu atau uap terbakar.

Keamanan listrik

▶ Steker dari perkakas listrik harus cocok pada stopkontak. Janganlah sekali-kali merubah steker.

Janganlah menggunakan steker perantara bersama dengan perkakas listrik yang mempunyai hubungan arde. Steker yang tidak dirubah dan stopkontak yang cocok mengurangi bahaya terjadinya kontak listrik.

▶ Jagalah supaya badan Anda tidak bersentuhan dengan permukaan yang mempunyai hubungan arde, misalnya pipa-pipa, radiator pemanas ruangan, kompor listrik dan lemari es.

Ada risiko besar terjadi kontak listrik, jika badan Anda mempunyai hubungan arde.

▶ Jagalah supaya perkakas listrik tidak kena hujan atau menjadi basah. Air yang masuk ke dalam perkakas listrik menambah risiko terjadinya kontak listrik.

▶ Janganlah menyalah gunakan kabel listrik untuk mengangkat dan menggantungkan perkakas listrik atau untuk menarik steker dari stopkontak. Jagalah supaya kabel listrik tidak kena panas, minyak, pinggiran yang tajam atau bagian-bagian perkakas yang bergerak.

Kabel listrik yang rusak atau tersangkut menambah risiko terjadinya kontak listrik.

▶ Jika Anda menggunakan perkakas listrik di luar gedung, gunakanlah hanya kabel sambungan yang juga cocok untuk pemakaian di luar gedung.

Penggunaan kabel sambungan yang cocok untuk pemakaian di luar gedung mengurangi risiko terjadinya kontak listrik.

▶ Jika penggunaan perkakas listrik di tempat yang basah tidak bisa dihindarkan, gunakanlah sakelar pengaman terhadap arus penyimpangan.

Penggunaan sakelar pengaman terhadap arus penyimpangan mengurangi risiko terjadinya kontak listrik.

Keselamatan kerja

▶ Berhati-hatilah selalu, perhatikanlah apa yang Anda kerjakan dan bekerjalah dengan seksama jika menggunakan perkakas listrik. Janganlah mengguna-

24 | Bahasa Indonesia

kan perkakas listrik, jika Anda capai atau berada di bawah pengaruh narkoba, minuman keras atau obat. Jika Anda sekejap mata saja tidak berhati-hati sewaktu menggunakan perkakas listrik, dapat terjadi luka-luka berat.

- ▶ **Pakailah pakaian dan sarana pelindung dan pakailah selalu kaca mata pelindung.** Dengan memakai pakaian dan sarana pelindung, misalnya kedok anti debu (masker), sepatu tertutup yang tidak licin, helm pelindung atau pemalut telinga sesuai dengan pekerjaan yang dilakukan dengan perkakas listrik, bahaya terjadinya luka-luka dapat dikurangi.
- ▶ **Jagalah supaya perkakas listrik tidak dihidupkan secara tidak disengaja. Perhatikan bahwa perkakas listrik dalam penyetalan mati, jika steker disambungkan pada pengadaan listrik dan/atau baterai, jika perkakas listrik diangkat atau dibawa.** Jika selama mengangkat perkakas listrik jari Anda berada pada tombol untuk menghidupkan dan mematikan atau perkakas listrik yang dalam penyetalan hidup disambungkan pada listrik, dapat terjadi kecelakaan.
- ▶ **Lepaskan semua perkakas-perkakas penyetalan atau kunci-kunci pas sebelum perkakas listrik dihidupkan.** Perkakas atau kunci yang berada di dalam bagian yang berputar dapat mengakibatkan terjadinya luka-luka.
- ▶ **Aturkan badan sedemikian sehingga Anda bisa bekerja dengan aman. Berdirilah secara mantap dan jagalah selalu keseimbangan.** Dengan demikian Anda bisa mengendalikan perkakas listrik dengan lebih baik, jika terjadi sesuatu dengan tiba-tiba.
- ▶ **Pakailah pakaian yang cocok. Janganlah memakai pakaian yang longgar atau perhiasan. Jagalah supaya rambut, pakaian dan sarung tangan tidak masuk dalam bagian-bagian perkakas yang bergerak.** Pakaian yang longgar, rambut panjang atau perhiasan dapat tersangkut dalam bagian perkakas yang bergerak.
- ▶ **Jika ada kemungkinan untuk memasang sarana penghisapan dan penampungan debu, perhatikan bahwa sarana-sarana ini telah dipasangkan dan digunakan dengan betul.** Penggunaan sarana penghisapan bisa mengurangi bahaya yang disebabkan debu.

Penggunaan dan penanganan perkakas listrik dengan seksama

- ▶ **Janganlah membebankan perkakas listrik terlalu berat. Gunakan selalu perkakas listrik yang cocok untuk pekerjaan yang dilakukan.** Dengan perkakas listrik yang cocok Anda bekerja lebih baik dan lebih aman dalam batas-batas kemampuan yang ditentukan.
- ▶ **Janganlah menggunakan perkakas listrik yang tombolnya rusak.** Perkakas listrik yang tidak bisa dihidupkan atau dimatikan, berbahaya dan harus direparasikan.
- ▶ **Tariklah steker dari stopkontak dan/atau keluarkan baterai, sebelum Anda melakukan penyetalan pada perkakas listrik, mengganti alat-alat kerja atau sebelum menyimpan perkakas listrik.** Tindakan keselamatan kerja ini mengurangi bahaya perkakas listrik hidup secara tidak disengaja.

- ▶ **Simpanlah perkakas listrik yang tidak digunakan di luar jangkauan anak-anak. Janganlah mengizinkan orang-orang yang tidak mengenal perkakas listrik ini atau yang belum membaca petunjuk-petunjuk ini, menggunakan perkakas listrik ini.** Perkakas listrik bisa menjadi berbahaya, jika digunakan oleh orang-orang yang tidak mengenalnya.
- ▶ **Rawatlah perkakas listrik dengan seksama. Periksa, apakah bagian-bagian perkakas listrik yang bergerak berfungsi dengan baik dan tidak tersangkut, apakah ada bagian-bagian yang patah atau rusak sedemikian, sehingga dapat mempengaruhi jalannya perkakas listrik. Biarkan bagian-bagian perkakas yang rusak direparasikan, sebelum Anda mulai menggunakan perkakas listrik.** Banyak kecelakaan terjadi karena perkakas listrik tidak dirawat dengan seksama.
- ▶ **Perhatikan supaya alat-alat pemotong selalu tajam dan bersih.** Alat-alat pemotong dengan mata-mata pemotong yang tajam dan dirawat dengan seksama tidak mudah tersangkut dan lebih mudah dikendalikan.
- ▶ **Gunakanlah semua perkakas listrik, aksesori, alat-alat kerja dsb. sesuai dengan petunjuk-petunjuk. Perhatikan syarat-syarat kerja dan macam pekerjaan yang dilakukan.** Penggunaan perkakas listrik untuk macam pekerjaan yang tidak cocok dengan kegunaannya bisa mengakibatkan keadaan yang berbahaya.

Servis

- ▶ **Biarkan perkakas listrik Anda direparasikan hanya oleh orang-orang ahli yang berpengalaman dan hanya dengan menggunakan suku cadang yang asli.** Dengan demikian terjamin keselamatan kerja dengan perkakas listrik ini secara berkesinambungan.

Petunjuk-petunjuk untuk keselamatan kerja untuk mesin gerinda

- ▶ **Gunakanlah perkakas listrik ini hanya untuk pengampelasan tanpa air.** Air yang masuk ke dalam perkakas listrik membuat risiko terjadinya kontak listrik menjadi besar.
- ▶ **Ada bahaya terjadi kebakaran! Perhatikanlah supaya benda yang dikerjakan dan perkakas tidak menjadi terlalu panas. Sebelum istirahat kerja, kosongkan selalu penampung debu.** Debu ampelas di dalam kantong debu, filter mikro, kantong kertas (atau di dalam kantong filter atau filter dari alat penghisap debu) kadang-kadang bisa terbakar dengan sendirinya, misalnya oleh pemancaran bunga api yang terjadi selama mengerjakan logam-logam. Bahaya menjadi lebih besar jika debu tercampur dengan sisa-sisa cat, poliuretan atau bahan-bahan kimia lainnya dan jika benda yang dikerjakan menjadi panas setelah digunakan untuk waktu yang lama.
- ▶ **Usahakan supaya benda yang dikerjakan tidak goyang.** Benda yang ditahan dalam alat pemegang atau bais lebih mantap daripada benda yang dipegang dengan tangan.

Penjelasan tentang produk dan daya



Bacalah semua petunjuk-petunjuk untuk keselamatan kerja dan petunjuk-petunjuk untuk penggunaan. Kesalahan dalam menjalankan petunjuk-petunjuk untuk keselamatan kerja dan petunjuk-petunjuk untuk penggunaan dapat mengakibatkan kontak listrik, kebakaran dan/atau luka-luka yang berat.

Penggunaan alat

Perkakas listrik ini cocok untuk mengampelas kering kayu, bahan sintetik, dempul serta permukaan yang bercat duko.

Bagian-bagian pada gambar

Nomor-nomor dari bagian-bagian perkakas pada gambar sesuai dengan gambar perkakas listrik pada halaman bergambar.

- 1 Kantung debu
- 2 Alas ampelas
- 3 Bohel jepit
- 4 Daun ampelas
- 5 Tombol pelepas kunci jepitan depan
- 6 Jepitan depan
- 7 Tombol untuk menghidupkan dan mematikan
- 8 Stud untuk peniupan debu
- 9 Sambungan untuk penghisapan*
- 10 Slang penghisapan*
- 11 Alat pelubang*
- 12 Pegangan (genggaman terisolir)

*Aksesori yang ada pada gambar atau yang dijelaskan, tidak termasuk pasokan standar. Semua aksesori yang ada bisa Anda lihat dalam program aksesori Bosch.

Data teknis

Mesin ampelas orbital		GSS 140 A	
Nomor model		0 601 297 0..	
Masukan nominal	W	180	
Kecepatan putaran tanpa beban	min ⁻¹	12000	
Banyaknya getaran tanpa beban	min ⁻¹	24000	
Diameter gerak lingkaran	mm	1,6	
Ukuran daun ampelas dengan sistem kait-kaitan	mm	115 x 107	
dengan tegangan jepitan	mm	115 x 140	
Ukuran alas ampelas	mm	113 x 105	
Berat sesuai dengan EPTA-Procedure 01:2014	kg	1,4	
Klasifikasi keamanan		□/II	
Data-data berlaku untuk tegangan nominal [U] 230 V. Pada tegangan yang lebih rendah dan pada model khusus mancanegara data-data ini bisa berlainan.			

Cara memasang

- ▶ **Sebelum mulai dengan pekerjaan pada perkakas listrik, tariklah steker dari stopkontak.**

Mengganti daun ampelas

Sebelum memasang daun ampelas yang baru, bersihkan dahulu alas ampelas **2** dari pencemaran dan debu, misalnya dengan menggunakan kuas.

Supaya penghisapan debu berjalan secara optimal, perhatikanlah supaya lubang-lubang pada daun ampelas cocok pada lubang-lubang pada alas ampelas.

Daun ampelas tanpa kait-kaitan (lihat gambar-gambar C - E)

- ❶ Tekan tombol pelepas kunci **5** dan tahan tekanan.
- ❷ Masukkan daun ampelas **4** sampai batas di bawah jepitan **6** di depan yang terbuka dan kemudian lepaskan tombol pelepas kunci **5**. Perhatikanlah supaya daun ampelas terpasang persis di tengah.
- ❸ Tekan bohel jepit **3** ke dalam dan putarkannya sampai batas.
- ❹ Pasangkan daun ampelas **4** secara kencang pada alas ampelas. Pasangkan ujung lainnya dari daun ampelas **4** di antara jepitan di belakang dan rol berwarna merah pada bohel jepit **3**.
- ❺ Biarkan daun ampelas duduk secara kencang dan tekan bohel jepit **3** dalam arah ke alas ampelas untuk mengancing daun ampelas.

Daun ampelas tanpa lubang, misalnya dari gulungan atau pengadaan per meter, bisa dilubangi dengan memakai alat pelubang **11**, supaya menjadi cocok untuk penghisapan debu. Untuk melubangi, tekankan perkakas listrik dengan daun ampelas yang sudah terpasang pada alat pelubang (lihat gambar F).

Untuk melepaskan daun ampelas **4**, kendorkan bohel jepit **3** dan tariklah daun ampelas dari pegangannya di sebelah belakang. Tekan tombol pelepas kunci **5** dan lepaskan sama sekali daun ampelas dari alasnya.

Daun ampelas dengan kait-kaitan

Jika alas ampelas **2** dilengkapi dengan sistem kait-kaitan, daun ampelas dengan kait-kaitan bisa dipasangkan secara cepat dan mudah.

Tepuk-tepuakkan sistem kait-kaitan dari alas ampelas **2** sebelum memasang daun ampelas **4**, supaya kait-kaitan bersih dan bisa melengket secara optimal.

Pasangkan daun ampelas **4** pada satu sisi dari alas ampelas **2** secara rata, kemudian daun ampelas diletakkan pada alas ampelas dan ditekan pada alas ampelas dengan membuat gerakan melingkar dalam arah jalannya jarum jam ringan-ringan saja.

Untuk melepaskan daun ampelas **4**, pegang salah satu pucuk dari daun ampelas dan kemudian daun ampelas ditarik dari alas ampelas **2**.

26 | Bahasa Indonesia

Memilih daun ampelas

Untuk mencocoki bahan yang dikerjakan dan keberhasilan yang dikehendaki, tersedia bermacam-macam daun ampelas:

	Butiran	
red:Wood	40–240	
Untuk mengerjakan semua macam bahan kayu		
Untuk mengampelas secara kasar, misalnya balok-balok dan papan-papan yang kasar dan belum diketam	kasar	40, 60
Untuk mengikis sampai datar dan untuk mengampelas sampai rata	sedang	80, 120
Untuk mengampelas halus sampai selesai dan mengampelas halus kayu-kayu yang keras	halus	180, 240

white:Paint 40–240**Untuk mengerjakan lapisan cat/cat duko atau lapisan dasar seperti dempul cair dan dempul**

Untuk mengikis cat lama	kasar	40, 60
Untuk mengampelas cat dasar	sedang	80, 120
Untuk mengampelas halus cat dasar sebelum mencat lapisan terakhir	halus	180, 240

Penghisapan debu/serbuk

- ▶ Debu dari bahan-bahan seperti misalnya cat yang mengandung timbel (timah hitam), beberapa jenis kayu, bahan mineral dan logam bisa berbahaya bagi kesehatan. Menyentuh atau menghirup debu-debu ini bisa mengakibatkan reaksi alergi dan/atau penyakit saluran pernafasan dari orang yang menggunakan mesin atau orang yang berada di dekatnya. Beberapa debu tertentu seperti misalnya debu kayu pohon quercus atau pohon fagus silvatica dianggap bisa mengakibatkan penyakit kanker, terutama dalam campuran dengan bahan-bahan tambahan untuk pengolahan kayu (kromat, obat pengawet kayu). Bahan-bahan yang mengandung asbestos hanya boleh dikerjakan oleh orang-orang yang ahli.
 - Gunakanlah hanya penghisap debu yang cocok untuk menghisap bahan yang dikerjakan.
 - Perhatikanlah supaya ada pertukaran udara di tempat kerja.
 - Kami anjurkan supaya Anda memakai kedok anti debu dengan saringan (filter) kelas P2.
 Taatilah peraturan-peraturan untuk bahan-bahan yang dikerjakan yang berlaku di negara Anda.
- ▶ **Hindarkan debu yang banyak terkumpul di tempat kerja.** Debu dapat menyulut dengan mudahnya.

Penghisapan luar dengan bantuan sarana (lihat gambar A)

Pasangkan soket pas untuk penghisapan debu **9** pada stud untuk peniupan debu **8**. Perhatikanlah bahwa tuas pengunci-tuas pengunci dari soket pas untuk penghisapan mengancing.

Pada soket pas untuk penghisapan **9** bisa disambungkan satu slang penghisapan dengan diameter 19 mm.

Untuk melepaskan soket pas untuk penghisapan **9**, tekankan tuas pengunci-tuas pengunci di bagian belakang ke arah tengah dan tarik soket pas untuk penghisapan sampai copot. Mesin penghisap debu harus cocok untuk menghisap bahan yang dikerjakan.

Gunakanlah mesin penghisap khusus jika debu yang terjadi sangat berbahaya bagi kesehatan, bisa mengakibatkan penyakit kanker atau sangat kering.

Penghisapan dalam (sendiri) dengan kantong debu (lihat gambar B)

Jika perkakas listrik digunakan untuk mengampelas sebentar saja bisa disambungkan satu kantong debu **1** (aksesori) pada perkakas listrik. Pasangkan stud dari kantong debu secara kencang pada stud untuk peniupan debu **8**. Kosongkan kantong debu **1** sebelum terlalu penuh, supaya daya penampungan debu selalu optimal.

Penggunaan**Cara penggunaan**

- ▶ **Perhatikan tegangan jaringan listrik! Tegangan jaringan listrik harus sesuai dengan tegangan listrik yang tercantum pada label tipe perkakas listrik.**

Menghidupkan/mematikan

Untuk **menghidupkan** perkakas listrik, miringkan tombol untuk menghidupkan dan mematikan **7** ke kanan ke posisi „I“. Untuk **mematikan** perkakas listrik, miringkan tombol untuk menghidupkan dan mematikan **7** ke kiri ke posisi „0“. Untuk menghemat energi, hidupkan perkakas listrik hanya jika Anda menggunakannya.

Petunjuk-petunjuk untuk pemakaian

- ▶ **Sebelum meletakkan perkakas listrik, tunggulah sampai perkakas listrik berhenti sama sekali.**
- ▶ **Sebelum mulai dengan pekerjaan pada perkakas listrik, tariklah steker dari stopkontak.**

Keberhasilan selama mengampelas terutama ditentukan oleh macam daun ampelas yang digunakan.

Hanya daun ampelas yang mulus menghasilkan pekerjaan yang bagus dan membuat perkakas listrik tahan lebih lama. Perhatikanlah supaya daya tekan selalu sama, dengan demikian daun ampelas tahan lebih lama.

Daya tekan yang terlalu tinggi tidak mengakibatkan hasil pengampelasan yang lebih bagus, melainkan menyebabkan perkakas listrik dan daun ampelas lebih cepat usang.

Daun ampelas yang telah digunakan untuk mengerjakan logam tidak boleh digunakan untuk mengerjakan bahan-bahan lainnya.

Gunakanlah aksesori untuk mengampelas yang asli dari Bosch saja.

Rawatan dan servis

Rawatan dan kebersihan

- ▶ **Sebelum mulai dengan pekerjaan pada perkakas listrik, tariklah steker dari stopkontak.**
- ▶ **Perkakas listrik dan lubang ventilasi harus selalu dibersihkan supaya perkakas bisa digunakan dengan baik dan aman.**

Jika kabel listrik harus digantikan, pekerjaan ini harus dilakukan oleh Bosch atau Service Center untuk perkakas listrik Bosch yang resmi, supaya keselamatan kerja selalu terjamin.

Layanan pasca beli dan konseling terkait pengoperasian

Layanan pasca beli Bosch menjawab semua pertanyaan Anda terkait reparasi dan maintenance serta suku cadang produk ini. Gambar tiga dimensi dan informasi terkait suku cadang dapat Anda lihat di:

www.bosch-pt.com

Tim konseling pengoperasian dari Bosch dengan senang hati membantu Anda, jika Anda hendak bertanya tentang produk-produk kami dan aksesorisnya.

Jika Anda hendak menanyakan sesuatu atau memesan suku cadang, sebutkan selalu nomor model yang terdiri dari 10 angka dan tercantum pada label tipe produk.

Indonesia

PT Robert Bosch
Palma Tower 10th Floor
Jl. RA Kartini II-S Kaveling 6 Sek II
Pondok Pinang, Kebayoran Lama
Jakarta Selatan 12310
Indonesia
Tel.: (021) 3005 5800
Fax: (021) 3005 5801
E-Mail: boschpowertools@id.bosch.com
www.bosch-pt.co.id

Cara membuang

Perkakas listrik, aksesoris dan kemasan sebaiknya didaur ulang sesuai dengan upaya untuk melindungi lingkungan hidup.

Perubahan dapat terjadi tanpa pemberitahuan sebelumnya.

Tiếng Việt

Các Nguyên Tắc An Toàn

Cảnh báo tổng quát cách sử dụng an toàn dụng cụ điện cầm tay

⚠ CẢNH BÁO Đọc kỹ mọi cảnh báo an toàn và hướng dẫn. Không tuân thủ mọi cảnh báo và hướng dẫn được liệt kê dưới đây có thể bị điện giật, gây cháy và/hay bị thương tật nghiêm trọng.

Hãy giữ tất cả tài liệu về cảnh báo và hướng dẫn để tham khảo về sau.

Thuật ngữ “dụng cụ điện cầm tay” trong phần cảnh báo là để cập đến sự sử dụng dụng cụ điện cầm tay của bạn, loại sử dụng điện nguồn (có dây cắm điện) hay vận hành bằng pin (không dây cắm điện).

Khu vực làm việc an toàn

- ▶ **Giữ nơi làm việc sạch và đủ ánh sáng.** Nơi làm việc bừa bộn và tối tăm dễ gây ra tai nạn.
- ▶ **Không vận hành dụng cụ điện cầm tay trong môi trường dễ gây nổ, chẳng hạn như nơi có chất lỏng dễ cháy, khí đốt hay rác.** Dụng cụ điện cầm tay tạo ra các tia lửa nên có thể làm rác bén cháy hay bốc khói.
- ▶ **Không để trẻ em hay người đến xem đứng gần khi vận hành dụng cụ điện cầm tay.** Sự phân tâm có thể gây ra sự mất điều khiển.

An toàn về điện

- ▶ **Phích cắm của dụng cụ điện cầm tay phải thích hợp với ổ cắm. Không bao giờ được cài biến lại phích cắm dưới mọi hình thức. Không được sử dụng phích tiếp hợp nối tiếp đất (dây mát).** Phích cắm nguyên bản và ổ cắm đúng loại sẽ làm giảm nguy cơ bị điện giật.
- ▶ **Tránh không để thân thể tiếp xúc với đất hay các vật có bề mặt tiếp đất như đường ống, lò sưởi, hàng rào và tủ lạnh.** Có nhiều nguy cơ bị điện giật hơn nếu cơ thể bạn bị tiếp hay nối đất.
- ▶ **Không được để dụng cụ điện cầm tay ngoài mưa hay ở tình trạng ẩm ướt.** Nước vào máy sẽ làm tăng nguy cơ bị điện giật.
- ▶ **Không được lạm dụng dây dẫn điện. Không bao giờ được nắm dây dẫn để xách, kéo hay rút phích cắm dụng cụ điện cầm tay. Không để dây gần nơi có nhiệt độ cao, dầu nhớt, vật nhọn bén hay bộ phận chuyển động.** Làm hỏng hay cuộn rối dây dẫn làm tăng nguy cơ bị điện giật.

28 | Tiếng Việt

- ▶ **Khi sử dụng dụng cụ điện cầm tay ngoài trời, dùng dây nối thích hợp cho việc sử dụng ngoài trời.** Sử dụng dây nối thích hợp cho việc sử dụng ngoài trời làm giảm nguy cơ bị điện giật.
- ▶ **Nếu việc sử dụng dụng cụ điện cầm tay ở nơi ẩm ướt là không thể tránh được, dùng thiết bị ngắt mạch tự động (RCD) bảo vệ nguồn.** Sử dụng thiết bị ngắt mạch tự động RCD làm giảm nguy cơ bị điện giật.

An toàn cá nhân

- ▶ **Hãy tỉnh táo, biết rõ mình đang làm gì và hãy sử dụng ý thức khi vận hành dụng cụ điện cầm tay.** Không sử dụng dụng cụ điện cầm tay khi đang mệt mỏi hay đang bị tác động do chất gây nghiện, rượu hay được phẩm gây ra. Một thoáng mất tập trung khi đang vận hành dụng cụ điện cầm tay có thể gây thương tích nghiêm trọng cho bản thân.
 - ▶ **Sử dụng trang bị bảo hộ cá nhân.** Luôn luôn đeo kính bảo vệ mắt. Trang bị bảo hộ như khẩu trang, giày chống trượt, nón bảo hộ, hay dụng cụ bảo vệ tai khi được sử dụng đúng nơi đúng chỗ sẽ làm giảm nguy cơ thương tật cho bản thân.
 - ▶ **Phòng tránh máy khởi động bất ngờ.** Bảo đảm công tắc máy ở vị trí tắt trước khi cắm vào nguồn điện và/hay lắp pin vào, khi nhắc máy lên hay khi mang xách máy. Ngáng ngón tay vào công tắc máy để xách hay kích hoạt dụng cụ điện cầm tay khi công tắc ở vị trí mở để dẫn đến tai nạn.
 - ▶ **Lấy mọi chìa hay khóa điều chỉnh ra trước khi mở điện dụng cụ điện cầm tay.** Khóa hay chìa còn gắn dính vào bộ phận quay của dụng cụ điện cầm tay có thể gây thương tích cho bản thân.
 - ▶ **Không rướn người.** Luôn luôn giữ tư thế đứng thích hợp và thẳng bằng. Điều này tạo cho việc điều khiển dụng cụ điện cầm tay tốt hơn trong mọi tình huống bất ngờ.
 - ▶ **Trang phục thích hợp.** Không mặc quần áo rộng lủng thùng hay mang trang sức. Giữ tóc, quần áo và găng tay xa khỏi các bộ phận chuyển động. Quần áo rộng lủng thùng, đồ trang sức hay tóc dài có thể bị cuốn vào các bộ phận chuyển động.
 - ▶ **Nếu có các thiết bị đi kèm để nối máy hút bụi và các phụ kiện khác, bảo đảm các thiết bị này được nối và sử dụng tốt.** Việc sử dụng các thiết bị gom hút bụi có thể làm giảm các độc hại liên quan đến bụi gây ra.
- Sử dụng và bảo dưỡng dụng cụ điện cầm tay**
- ▶ **Không được ép máy.** Sử dụng dụng cụ điện cầm tay đúng loại theo đúng ứng dụng của bạn. Dụng cụ điện cầm tay đúng chức năng sẽ làm việc tốt và an toàn hơn theo đúng tiến độ mà máy được thiết kế.
 - ▶ **Không sử dụng dụng cụ điện cầm tay nếu như công tắc không tắt và mở được.** Bất kỳ dụng cụ điện cầm tay nào mà không thể điều khiển được bằng công tắc là nguy hiểm và phải được sửa chữa.
 - ▶ **Rút phích cắm ra khỏi nguồn điện và/hay pin ra khỏi dụng cụ điện cầm tay trước khi tiến hành bất kỳ điều chỉnh nào, thay phụ kiện, hay cắt dụng cụ điện cầm tay.** Các biện pháp ngăn ngừa như vậy làm giảm nguy cơ dụng cụ điện cầm tay khởi động bất ngờ.
 - ▶ **Cất giữ dụng cụ điện cầm tay không dùng tới nơi trẻ em không lấy được và không cho người chưa từng biết dụng cụ điện cầm tay hay các hướng dẫn này sử dụng dụng cụ điện cầm tay.** Dụng cụ điện cầm tay nguy hiểm khi ở trong tay người chưa được chỉ cách sử dụng.
 - ▶ **Bảo quản dụng cụ điện cầm tay.** Kiểm tra xem các bộ phận chuyển động có bị sai lệch hay kẹt, các bộ phận bị rạn nứt và các tình trạng khác có thể ảnh hưởng đến sự vận hành của máy. Nếu bị hư hỏng, phải sửa chữa máy trước khi sử dụng. Nhiều tai nạn xảy ra do bảo quản dụng cụ điện cầm tay tồi.
 - ▶ **Giữ các dụng cụ cất bện và sạch.** Bảo quản đúng cách các dụng cụ cất có cạnh cắt bện làm giảm khả năng bị kẹt và dễ điều khiển hơn.
 - ▶ **Sử dụng dụng cụ điện cầm tay, phụ kiện, đầu cài v. v., đúng theo các chỉ dẫn này, hãy lưu ý đến điều kiện làm việc và công việc phải thực hiện.** Sử dụng dụng cụ điện cầm tay khác với mục đích thiết kế có thể tạo nên tình huống nguy hiểm.
- Bảo dưỡng**
- ▶ **Đưa dụng cụ điện cầm tay của bạn đến thợ chuyên môn để bảo dưỡng, chỉ sử dụng phụ tùng đúng chủng loại để thay.** Điều này sẽ đảm bảo sự an toàn của máy được giữ nguyên.
- Cảnh báo an toàn cho máy chà nhám**
- ▶ **Chỉ được sử dụng máy để chà khô.** Sự để nước thấm vào trong máy làm tăng nguy cơ bị điện giật.
 - ▶ **Lưu ý, nguy cơ cháy! Tránh không để vật được chà nhám cũng như máy chà nhám quá nóng.** Luôn luôn làm trống sạch bộ phận chứa bụi trước khi dừng nghỉ. Trong tình trạng không thuận lợi, vd. khi tia lửa bắn ra trong lúc chà kim loại, dăm mảnh vụn trong túi chứa bụi, trong bộ lọc siêu nhỏ hay túi giấy (hay trong túi lọc hay bộ lọc trong máy hút bụi) có thể tự cháy. Đặt biệt khi trộn lẫn với phân vet-ni còn sót lại, dầu bóng hay các nguyên liệu hóa chất khác hay các mảnh chà bị hun nóng sau một thời gian làm việc dài.

► **Kẹp chặt vật gia công.** Vật gia công được kẹp bằng một thiết bị kẹp hay bằng êtô thì vững chắc hơn giữ bằng tay.

Mô Tả Sản Phẩm và Đặc Tính Kỹ Thuật



Đọc kỹ mọi cảnh báo an toàn và mọi hướng dẫn. Không tuân thủ mọi cảnh báo và hướng dẫn được liệt kê dưới đây có thể bị điện giật, gây cháy và/hay bị thương tật nghiêm trọng.

Dành sử dụng cho

Máy được thiết kế để chà khô gỗ, nhựa, chất trám và các bề mặt có sơn phủ.

Biểu trưng của sản phẩm

Sự đánh số các biểu trưng của sản phẩm là để tham khảo hình minh họa của máy trên trang hình ảnh.

- 1 Túi đựng bụi
- 2 Đế chà
- 3 Gọng kẹp giấy nhám
- 4 Giấy nhám
- 5 Nút nhả tác động gọng kẹp trước
- 6 Gọng kẹp trước
- 7 Công tắc Tắt/Mở
- 8 Lỗ thoát
- 9 Bô phân hút tiếp hợp*
- 10 Vòi ống máy hút*
- 11 Dụng cụ đục lỗ *
- 12 Tay nắm (bề mặt nắm cách điện)

*Phụ tùng được trình bày hay mô tả không phải là một phần của tiêu chuẩn hàng hóa được giao kèm theo sản phẩm. Bạn có thể tham khảo tổng thể các loại phụ tùng, phụ kiện trong chương trình phụ tùng của chúng tôi.

Thông số kỹ thuật

Máy chà nhám xoay	GSS 140 A	
Mã số máy		0 601 297 0..
Công suất vào danh định	W	180
Tốc độ không tải	v/p	12000
Tần suất vòng xoay	v/p	24000
Đường kính vòng xoay	mm	1,6
Kích cỡ giấy nhám		
Sự dính chặt nhờ vào mặt		
trơn của khóa dán	mm	115 x 107
Lắp vào thông qua kẹp	mm	115 x 140
Kích cỡ đế chà	mm	113 x 105
Các giá trị đã cho có hiệu lực cho điện thế danh định [U] 230 V. Đối với điện thế thấp hơn và các loại máy dành riêng cho một số quốc gia, các giá trị này có thể thay đổi.		

Máy chà nhám xoay	GSS 140 A	
Trọng lượng theo Qui trình EPTA-Procedure 01:2014 (chuẩn EPTA 01:2014)	kg	1,4
Cấp độ bảo vệ		□/II
Các giá trị đã cho có hiệu lực cho điện thế danh định [U] 230 V. Đối với điện thế thấp hơn và các loại máy dành riêng cho một số quốc gia, các giá trị này có thể thay đổi.		

Sự lắp vào

► **Trước khi tiến hành bất cứ việc gì trên máy, kéo phích cắm điện nguồn ra.**

Thay Giấy Nhám

Khi lắp giấy nhám mới vào, làm thật sạch đế chà **2** cho hết bụi hay hạt gỗ (vd. bằng chổi cọ).

Để đảm bảo sự hút bụi được tốt nhất, hãy lưu ý đến các lỗ đục trên giấy nhám có nằm trùng lên các lỗ của đĩa chà hay không.

Giấy Nhám không sử dụng Khóa Dán (xem hình C – E)

- ❶ Nhấn nút nhả **5** và giữ nhấn.
- ❷ Luồn giấy nhám **4** qua hết gọng kẹp trước đã mở **6** và thả nút nhả ra **5** lại. Hãy lưu ý rằng giấy nhám đã được kẹp ngay ngắn ở chính giữa.
- ❸ Nhấn gọng kẹp giấy nhám **3** vào trong và quay hết về cỡ chặn.
- ❹ Gấp giấy nhám **4** thật căng bọc quanh đĩa chà. Hướng đầu kia của giấy nhám **4** nằm giữa gọng kẹp sau và trục lăn đỡ nằm trên gọng kẹp **3**.
- ❺ Giữ giấy nhám thật căng và nhấn gọng kẹp **3** về phía đĩa chà để khóa giấy nhám lại.

Giấy nhám không lỗ v. d., lấy từ cuộn hay theo thước, có thể đục lỗ được bằng dụng cụ đục lỗ **11**. Để thực hiện, đập máy có lắp sẵn giấy nhám vào trên dụng cụ đục lỗ (xem hình F).

Để lấy giấy nhám ra **4**, nới lỏng gọng kẹp **3** và kéo giấy nhám ra khỏi đĩa chà từ tay nắm phía sau. Nhấn nút nhả **5** và lấy giấy nhám ra khỏi đĩa chà.

Giấy Nhám sử dụng Khóa Dán

Đế chà **2** thích hợp với khóa dán có thể sử dụng để lắp dính giấy nhám bằng khóa bám dính một cách nhanh và dễ dàng.

Trước khi lắp giấy nhám vào **4**, làm sạch phần mặt trơn dùng để dán khóa dán của đĩa chà **2**, không để dính mảnh vụn các loại bằng cách thổi nhẹ lên chúng để tạo điều kiện bám dính được tốt nhất.

Đặt giấy nhám **4** nằm phẳng dọc theo một cạnh của đĩa chà **2**, sau đó đặt giấy nhám nằm lên trên đĩa chà và ép xuống bằng động tác xoay nhẹ theo chiều kim đồng hồ.

Để lấy giấy nhám **4** ra, nắm một trong các góc và kéo giấy nhám ra khỏi đĩa chà **2**.

30 | Tiếng Việt

Chọn Loại Giấy Nhám

Tùy theo loại vật liệu gia công và tốc độ để chà bong tróc vật liệu theo yêu cầu, trên thị trường hiện có các chủng loại giấy nhám như vậy:

		Kích cỡ hạt	
red:Wood		40–240	
Để gia công mọi loại nguyên vật liệu bằng gỗ			
Để chà thô, vd. xà rầm bào sơ, sần nhám và ván tấm	thô	40, 60	
Chà bề mặt và tẩy xóa các khuyết tật nhỏ	trung bình	80, 120	
Chà hoàn thiện và chà tinh các loại gỗ cứng	mịn	180, 240	

white:Paint 40–240**Để thao tác với sơn/lớp men hay sơn lót và chất trám**

Chà cho bong tróc sơn	thô	40, 60	
Chà sơn lót	trung bình	80, 120	
Chà hoàn thiện sơn lót trước khi sơn phủ	mịn	180, 240	

Hút Dăm/Bụi

- ▶ Mặt bụi từ các vật liệu được sơn phủ ngoài có chứa chì trên một số loại gỗ, khoáng vật và kim loại có thể gây nguy hại đến sức khoẻ con người. Dụng cụ hút bụi hay hít thở các bụi này có thể làm người sử dụng hay đứng gần bị dị ứng và/hoặc gây nhiễm trùng hệ hô hấp. Một số mặt bụi cụ thể, ví dụ như bụi gỗ sồi hay đầu, được xem là chất gây ung thư, đặc biệt là có liên quan đến các chất phụ gia dùng xử lý gỗ (chất cromat, chất bảo quản gỗ). Có thể chỉ nên để thợ chuyên môn gia công các loại vật liệu có chứa amiăng.
 - Cách xa ở mức có thể được, sử dụng hệ thống hút thích hợp cho loại vật liệu.
 - Tạo không khí thông thoáng nơi làm việc.
 - Khuyến nghị nên mang mặt nạ phòng độc có bộ lọc cấp P2.
- Tuân thủ các qui định của quốc gia bạn liên quan đến loại vật liệu gia công.
- ▶ **Tránh không để rác tích tụ tại nơi làm việc.** Rác có thể dễ dàng bắt lửa.

Máy Hút Bụi Ngoài (xem hình A)

Lắp bộ phận hút ghép nối **9** lên trên lỗ thoát **8**. Bảo đảm ngàm khóa của bộ phận hút ghép nối vào khớp. Bộ phận hút ghép nối **9** vừa khớp với vòi ống hút có đường kính 19 mm.

Để tháo bộ phận hút ghép nối **9**, nhấn đàng sau ngàm khóa và đồng thời kéo bộ phận hút ghép nối ra.

Máy hút bụi phải thích hợp dành cho loại vật liệu đang gia công.

Khi hút bụi khô loại đặc biệt gây nguy hại đến sức khỏe hoặc gây ra ung thư, hãy sử dụng máy hút bụi loại chuyên dụng.

Máy Hút Bụi Liên Máy Với Bao Đựng Bụi (xem hình B)

Đối với việc gia công chà nhám nhỏ, ta có thể nối túi đựng bụi (phụ kiện) **1** vào. Lắp chặt vòng nối của túi đựng bụi lên trên miệng xả **8**. Để duy trì sự tích bụi hiệu quả nhất, làm trống sạch túi đựng bụi **1** vào đúng lúc.

Vận Hành**Bắt Đầu Vận Hành**

- ▶ **Tuân thủ theo đúng điện thế! Điện thế nguồn phải đúng với điện thế đã ghi rõ trên nhãn máy.**

Bật Mở và Tắt

Để khởi động máy, kéo nghiêng công tắc Tắt/Mở **7** qua bên phải vào vị trí "I".

Để tắt máy, kéo nghiêng công tắc Tắt/Mở **7** qua bên trái vào vị trí "0".

Để tiết kiệm năng lượng, chỉ cho dụng cụ điện hoạt động khi sử dụng.

Hướng Dẫn Sử Dụng

- ▶ **Đợi cho đến khi máy hoàn toàn dừng hẳn trước khi đặt xuống.**
- ▶ **Trước khi tiến hành bất cứ việc gì trên máy, kéo phích cắm điện nguồn ra.**

Năng suất làm bong tróc trong khi chà nhám chủ yếu được quyết định là từ sự lựa chọn loại giấy nhám.

Chỉ có giấy nhám không bị hư hỏng mới cho năng suất chà nhám tốt và kéo dài tuổi thọ của máy.

Hãy lưu ý việc đặt lực áp lên máy để chà phải đồng đều; điều này làm tăng độ bền của giấy nhám.

Tạo lực đè thật mạnh lên máy để chà không làm tăng năng suất chà, nhưng lại làm tăng sự hao mòn của máy và giấy nhám.

Giấy nhám đã được dùng để chà kim loại không nên sử dụng để chà các loại vật liệu khác.

Chỉ nên sử dụng các phụ kiện chà nhám chính hãng Bosch.

Bảo Dưỡng và Bảo Quản

Bảo Dưỡng Và Làm Sạch

- ▶ Trước khi tiến hành bất cứ việc gì trên máy, kéo phích cắm điện nguồn ra.
- ▶ Để được an toàn và máy hoạt động đúng chức năng, luôn luôn giữ máy và các khe thông gió được sạch.

Nếu như cần phải thay dây dẫn điện thì công việc này phải do hãng Bosch, hay một đại lý được Bosch ủy nhiệm thực hiện để tránh gặp sự nguy hiểm do mất an toàn.

Dịch Vụ Sau Khi Bán và Dịch Vụ Ứng Dụng

Bộ phận phục vụ hàng sau khi bán của chúng tôi sẽ trả lời các câu hỏi liên quan đến việc bảo trì và sửa chữa các sản phẩm cũng như các phụ tùng thay thế của bạn. Hình ảnh chi tiết và thông tin phụ tùng thay thế có thể tìm hiểu theo địa chỉ dưới đây:

www.bosch-pt.com

Bộ phận dịch vụ ứng dụng Bosch sẽ hân hạnh trả lời các câu hỏi liên quan đến các sản phẩm của chúng tôi và linh kiện của chúng.

Trong tất cả các phân hồi và đơn đặt phụ tùng, xin vui lòng luôn luôn nhập số hàng hóa 10 chữ số theo nhân của hàng hóa.

Việt Nam

Công ty Trách Nhiệm Hữu Hạn Robert Bosch Việt Nam, PT/SVN
Tầng 10, 194 Golden Building
473 Điện Biên Phủ
Phường 25, Quận Bình Thạnh
Thành Phố Hồ Chí Minh
Việt Nam
Tel.: (08) 6258 3690 Ext 413
Fax: (08) 6258 3692
hie.u.lagia@vn.bosch.com
www.bosch-pt.com

Thải bỏ

Máy, linh kiện và bao bì phải được phân loại để tái chế theo hướng thân thiện với môi trường.

Được quyền thay đổi nội dung mà không phải thông báo trước.

Français

Avertissements de sécurité

Avertissements de sécurité généraux pour l'outil

⚠ AVERTISSEMENT Lire tous les avertissements de sécurité et toutes les instructions. Ne pas suivre les avertissements et instructions peut donner lieu à un choc électrique, un incendie et/ou une blessure sérieuse.

Conservé tous les avertissements et toutes les instructions pour pouvoir s'y reporter ultérieurement.

Le terme « outil » dans les avertissements fait référence à votre outil électrique alimenté par le secteur (avec cordon d'alimentation) ou votre outil fonctionnant sur batterie (sans cordon d'alimentation).

Sécurité de la zone de travail

- ▶ **Conservé la zone de travail propre et bien éclairée.** Les zones en désordre ou sombres sont propices aux accidents.
- ▶ **Ne pas faire fonctionner les outils électriques en atmosphère explosive, par exemple en présence de liquides inflammables, de gaz ou de poussières.** Les outils électriques produisent des étincelles qui peuvent enflammer les poussières ou les fumées.
- ▶ **Maintenir les enfants et les personnes présentes à l'écart pendant l'utilisation de l'outil.** Les distractions peuvent vous faire perdre le contrôle de l'outil.

Sécurité électrique

- ▶ **Il faut que les fiches de l'outil électrique soient adaptées au socle. Ne jamais modifier la fiche de quelque façon que ce soit. Ne pas utiliser d'adaptateurs avec des outils à branchement de terre.** Des fiches non modifiées et des socles adaptés réduiront le risque de choc électrique.
- ▶ **Éviter tout contact du corps avec des surfaces reliées à la terre telles que les tuyaux, les radiateurs, les cuisinières et les réfrigérateurs.** Il existe un risque accru de choc électrique si votre corps est relié à la terre.
- ▶ **Ne pas exposer les outils à la pluie ou à des conditions humides.** La pénétration d'eau à l'intérieur d'un outil augmentera le risque de choc électrique.
- ▶ **Ne pas maltraiter le cordon. Ne jamais utiliser le cordon pour porter, tirer ou débrancher l'outil. Maintenir le cordon à l'écart de la chaleur, du lubrifiant, des arêtes ou des parties en mouvement.** Les cordons endommagés ou emmêlés augmentent le risque de choc électrique.
- ▶ **Lorsqu'on utilise un outil à l'extérieur, utiliser un prolongateur adapté à l'utilisation extérieure.** L'utilisation d'un cordon adapté à l'utilisation extérieure réduit le risque de choc électrique.
- ▶ **Si l'usage d'un outil dans un emplacement humide est inévitable, utiliser une alimentation protégée par un dispositif à courant différentiel résiduel (RCD).** L'usage d'un RCD réduit le risque de choc électrique.

32 | Français

Sécurité des personnes

- ▶ **Rester vigilant, regarder ce que vous êtes en train de faire et faire preuve de bon sens dans l'utilisation de l'outil. Ne pas utiliser un outil lorsque vous êtes fatigué ou sous l'emprise de drogues, d'alcool ou de médicaments.** Un moment d'inattention en cours d'utilisation d'un outil peut entraîner des blessures graves des personnes.
- ▶ **Utiliser un équipement de sécurité. Toujours porter une protection pour les yeux.** Les équipements de sécurité tels que les masques contre les poussières, les chaussures de sécurité antidérapantes, les casques ou les protections acoustiques utilisés pour les conditions appropriées réduiront les blessures des personnes.
- ▶ **Éviter tout démarrage intempestif. S'assurer que l'interrupteur est en position arrêt avant de brancher l'outil au secteur et/ou au bloc de batteries, de le ramasser ou de le porter.** Porter les outils en ayant le doigt sur l'interrupteur ou brancher des outils dont l'interrupteur est en position marche est source d'accidents.
- ▶ **Retirer toute clé de réglage avant de mettre l'outil en marche.** Une clé laissée fixée sur une partie tournante de l'outil peut donner lieu à des blessures de personnes.
- ▶ **Ne pas se précipiter. Garder une position et un équilibre adaptés à tout moment.** Cela permet un meilleur contrôle de l'outil dans des situations inattendues.
- ▶ **S'habiller de manière adaptée. Ne pas porter de vêtements amples ou de bijoux. Garder les cheveux, les vêtements et les gants à distance des parties en mouvement.** Des vêtements amples, des bijoux ou les cheveux longs peuvent être pris dans des parties en mouvement.
- ▶ **Si des dispositifs sont fournis pour le raccordement d'équipements pour l'extraction et la récupération des poussières, s'assurer qu'ils sont connectés et correctement utilisés.** Utiliser des collecteurs de poussière peut réduire les risques dus aux poussières.

Utilisation et entretien de l'outil

- ▶ **Ne pas forcer l'outil. Utiliser l'outil adapté à votre application.** L'outil adapté réalisera mieux le travail et de manière plus sûre au régime pour lequel il a été construit.
- ▶ **Ne pas utiliser l'outil si l'interrupteur ne permet pas de passer de l'état de marche à arrêt et vice versa.** Tout outil qui ne peut pas être commandé par l'interrupteur est dangereux et il faut le faire réparer.
- ▶ **Débrancher la fiche de la source d'alimentation en courant et/ou le bloc de batteries de l'outil avant tout réglage, changement d'accessoires ou avant de ranger l'outil.** De telles mesures de sécurité préventives réduisent le risque de démarrage accidentel de l'outil.
- ▶ **Conserver les outils à l'arrêt hors de la portée des enfants et ne pas permettre à des personnes ne connaissant pas l'outil ou les présentes instructions de le faire fonctionner.** Les outils sont dangereux entre les mains d'utilisateurs novices.

- ▶ **Observer la maintenance de l'outil. Vérifier qu'il n'y a pas de mauvais alignement ou de blocage des parties mobiles, des pièces cassées ou toute autre condition pouvant affecter le fonctionnement de l'outil. En cas de dommages, faire réparer l'outil avant de l'utiliser.** De nombreux accidents sont dus à des outils mal entretenus.
- ▶ **Garder affûtés et propres les outils permettant de couper.** Des outils destinés à couper correctement entretenus avec des pièces coupantes tranchantes sont moins susceptibles de bloquer et sont plus faciles à contrôler.
- ▶ **Utiliser l'outil, les accessoires et les lames etc., conformément à ces instructions, en tenant compte des conditions de travail et du travail à réaliser.** L'utilisation de l'outil pour des opérations différentes de celles prévues pourrait donner lieu à des situations dangereuses.

Maintenance et entretien

- ▶ **Faire entretenir l'outil par un réparateur qualifié utilisant uniquement des pièces de rechange identiques.** Cela assurera que la sécurité de l'outil est maintenue.

Instructions de sécurité pour meuleuses

- ▶ **N'utiliser l'outil électroportatif que pour un travail à sec.** La pénétration d'eau dans un outil électroportatif augmente le risque d'un choc électrique.
- ▶ **Attention ! Risque d'incendie ! Éviter la surchauffe des matériaux travaillés et de la ponceuse. Vider toujours le bac de récupération des poussières avant de faire une pause de travail.** Les particules de poussière se trouvant dans le sac à poussières, le microfiltre, le sac en papier (ou dans le sac à poussières en tissu ou le filtre de l'aspirateur) peuvent s'enflammer d'elles-mêmes dans des conditions défavorables, p. ex. projection d'étincelles lors du ponçage de pièces en métal, ceci notamment lorsque les particules de poussières sont mélangées à des résidus de vernis, de polyuréthane ou d'autres substances chimiques et que les matériaux travaillés sont très chauds après avoir été travaillés pendant une période assez longue.
- ▶ **Bloquer la pièce à travailler.** Une pièce à travailler serrée par des dispositifs de serrage appropriés ou dans un étau est fixée de manière plus sûre que tenue dans les mains.

Description et performances du produit

Il est impératif de lire toutes les consignes de sécurité et toutes les instructions. Le non-respect des avertissements et instructions indiqués ci-après peut conduire à une électrocution, un incendie et/ou de graves blessures.

Utilisation conforme

L'appareil est conçu pour le ponçage à sec des surfaces en bois, des matières plastiques, du mastic ainsi que des surfaces vernies.

Éléments de l'appareil

La numérotation des éléments de l'appareil se réfère à la représentation de l'outil électroportatif sur la page graphique.

- 1 Système microfiltre
- 2 Plateau de ponçage
- 3 Etrier de serrage
- 4 Feuille abrasive
- 5 Touche de déverrouillage pour levier de serrage avant
- 6 Levier de serrage avant
- 7 Interrupteur Marche/Arrêt
- 8 Sortie d'aspiration
- 9 Adaptateur d'aspiration*
- 10 Tuyau d'aspiration*
- 11 Gabarit de perforation*
- 12 Poignée (surface de préhension isolante)

* Les accessoires décrits ou illustrés ne sont pas tous compris dans la fourniture. Vous trouverez les accessoires complets dans notre programme d'accessoires.

Caractéristiques techniques

Ponceuse vibrante		GSS 140 A
N° d'article		0 601 297 0..
Puissance nominale absorbée	W	180
Vitesse à vide	tr/min	12 000
Vitesse d'oscillation à vide	min ⁻¹	24 000
Diamètre d'amplitude d'oscillation	mm	1,6
Dimensions feuille abrasive		
Auto-agrippante	mm	115 x 107
Tension de serrage	mm	115 x 140
Dimensions plaque de ponçage	mm	113 x 105
Poids suivant EPTA-Procédure 01:2014	kg	1,4
Classe de protection		□/II

Ces indications sont valables pour une tension nominale de [U] 230 V.
Ces indications peuvent varier pour des tensions plus basses ainsi que pour des versions spécifiques à certains pays.

Montage

- Avant d'effectuer des travaux sur l'outil électroportatif, retirez la fiche de la prise de courant.

Changement de la feuille abrasive

Avant de monter une nouvelle feuille abrasive, éliminez les poussières et saletés se trouvant sur le plateau de ponçage 2 à l'aide d'un pinceau p. ex.

Afin de garantir une bonne aspiration de poussières, assurez-vous que les trous perforés de la feuille abrasive et du plateau de ponçage coïncident.

Feuilles abrasives standard (voir figures C - E)

- ❶ Appuyer sur la touche de déverrouillage 5 et la maintenir appuyée.
- ❷ Pousser la feuille abrasive 4 jusqu'à la butée en dessous du levier de serrage 6 avant ouvert et relâcher la touche de déverrouillage 5. Veiller à ce que la feuille abrasive soit serrée au centre.
- ❸ Appuyer l'étrier de serrage 3 vers l'intérieur et le faire basculer à fond.
- ❹ Placer la feuille abrasive 4 autour du plateau de ponçage jusqu'à ce qu'elle soit tendue. Placer l'autre bout de la feuille abrasive 4 entre le levier de serrage arrière et le rouleau rouge se trouvant sur l'étrier de serrage 3.
- ❺ Maintenir la feuille abrasive tendue et pousser l'étrier de serrage 3 vers le plateau de ponçage, afin de bloquer la feuille abrasive.

Les feuilles abrasives non perforées, p. ex. marchandise vendue au mètre ou sur rouleaux, peuvent être perforées à l'aide du gabarit de perforation 11 pour permettre l'aspiration des poussières. Pour ce faire, appuyer l'outil électroportatif, la feuille abrasive étant montée, sur le gabarit de perforation (voir figure F).

Pour démonter la feuille abrasive 4 desserrer l'étrier de serrage 3 et retirer la feuille abrasive de la fixation arrière. Appuyer sur la touche de déverrouillage 5 et enlever complètement la feuille abrasive.

Feuilles abrasives auto-agrippantes

Si le plateau de ponçage 2 est équipé d'un revêtement auto-agrippant, les feuilles abrasives avec système auto-agrippant peuvent être fixées rapidement et facilement.

Tapotez légèrement sur le revêtement auto-agrippant du plateau de ponçage 2 avant de monter la feuille abrasive 4 afin d'obtenir une adhésion optimale.

Placez la feuille abrasive 4 de façon à la faire coïncider avec un bord du plateau de ponçage 2 et appuyez sur la feuille abrasive par un léger mouvement de rotation dans le sens des aiguilles d'une montre.

Pour retirer la feuille abrasive 4, prenez-la par un coin et retirez-la du plateau de ponçage 2.

Choix de la feuille abrasive

En fonction du matériau à travailler et du travail demandé, il existe différentes feuilles abrasives :

		Grains
red:Wood		40–240
Pour travailler tous les bois		
Pour le dégrossissage p. ex. de poutres et planches rugueuses, non rabotées	grossier	40, 60
Pour la rectification (plane) et le nivellement de petites rugosités	moyen	80, 120
Pour les travaux de finition et le ponçage fin de bois durs	fin	180, 240

34 | Français

Grains

white:Paint

40–240

Pour travailler couches de peinture/verniss ou apprêts comme p. ex. mastic ou masse de remplissage

Pour retirer des couches de peinture grossier	40, 60
Pour poncer des couches de base de peinture moyen	80, 120
Pour le finissage d'apprêts avant l'application de la peinture laquée fin	180, 240

Aspiration de poussières/de copeaux

- ▶ Les poussières de matériaux tels que peintures contenant du plomb, certains bois, minéraux ou métaux, peuvent être nuisibles à la santé. Entrer en contact ou aspirer les poussières peut entraîner des réactions allergiques et/ou des maladies respiratoires auprès de l'utilisateur ou de personnes se trouvant à proximité.

Certaines poussières telles que les poussières de chêne ou de hêtre sont considérées comme cancérogènes, surtout en association avec des additifs pour le traitement du bois (chromate, lazure). Les matériaux contenant de l'amiante ne doivent être travaillés que par des personnes qualifiées.

- Si possible, utilisez un dispositif d'aspiration des poussières approprié au matériau.
- Veillez à bien aérer la zone de travail.
- Il est recommandé de porter un masque respiratoire avec un niveau de filtration de classe P2.

Respectez les règlements spécifiques aux matériaux à traiter en vigueur dans votre pays.

- ▶ **Évitez toute accumulation de poussières à l'emplacement de travail.** Les poussières peuvent facilement s'enflammer.

Aspiration externe de copeaux (voir figure A)

Monter l'adaptateur d'aspiration **9** sur la sortie d'aspiration **8**. Veiller à ce que les leviers de blocage de l'adaptateur d'aspiration s'encliquettent. A l'adaptateur d'aspiration **9** il est possible de brancher un tuyau d'aspiration d'un diamètre de 19 mm.

Pour démonter l'adaptateur d'aspiration **9** presser le levier de blocage et retirer l'adaptateur d'aspiration.

L'aspirateur doit être approprié au matériau à travailler.

Pour l'aspiration de poussières particulièrement nuisibles à la santé, cancérogènes ou sèches, utilisez des aspirateurs spécifiques.

Aspiration interne avec sac à poussières (voir figure B)

Pour de petits travaux, il est possible de monter un sac à poussières (accessoire) **1**. Introduisez la tubulure du sac à poussière fermement dans la sortie d'aspiration **8**. Videz à temps le sac à poussières **1** afin de toujours disposer d'une puissance optimale d'aspiration.

Mise en marche**Mise en service**

- ▶ **Tenez compte de la tension du réseau ! La tension de la source de courant doit correspondre aux indications se trouvant sur la plaque signalétique de l'outil électroportatif. Les outils électroportatifs marqués 230 V peuvent également fonctionner sur 220 V.**

Mise en Marche/Arrêt

Pour la **mise en service** de l'outil électroportatif, pousser l'interrupteur Marche/Arrêt **7** vers la droite en position « **I** ».

Pour **arrêter** l'outil électroportatif pousser l'interrupteur Marche/Arrêt **7** vers la gauche en position « **0** ».

Afin d'économiser l'énergie, ne mettez l'outil électroportatif en marche que quand vous l'utilisez.

Instructions d'utilisation

- ▶ **Avant de déposer l'outil électroportatif, attendez que celui-ci soit complètement à l'arrêt.**
- ▶ **Avant d'effectuer des travaux sur l'outil électroportatif, retirez la fiche de la prise de courant.**

L'enlèvement de matière dépend essentiellement du choix de la feuille abrasive.

Seules des feuilles abrasives impeccables assurent un bon travail de ponçage et ménagent l'outil électroportatif.

Veillez à ce que la pression de travail soit régulière, afin d'augmenter la durée de vie des feuilles abrasives.

Une pression trop élevée exercée sur l'appareil n'améliore pas la puissance de ponçage mais augmente considérablement l'usure de l'outil électroportatif et de la feuille abrasive.

Une feuille abrasive avec laquelle on a travaillé du métal, ne doit pas être utilisée pour d'autres matériaux.

N'utilisez que des accessoires de ponçage d'origine Bosch.

Entretien et Service Après-Vente**Nettoyage et entretien**

- ▶ **Avant d'effectuer des travaux sur l'outil électroportatif, retirez la fiche de la prise de courant.**
- ▶ **Veillez à ce que l'outil électroportatif ainsi que les ouïes de ventilation soient toujours propres afin d'obtenir un travail impeccable et sûr.**

Si le remplacement du câble d'alimentation est nécessaire, ceci ne doit être effectué que par Bosch ou une station de Service Après-Vente agréée pour outillage Bosch afin d'éviter des dangers de sécurité.

Service Après-Vente et Assistance

Notre Service Après-Vente répond à vos questions concernant la réparation et l'entretien de votre produit et les pièces de rechange. Vous trouverez des vues éclatées ainsi que des informations concernant les pièces de rechange également sous :

www.bosch-pt.com

Les conseillers techniques et assistants Bosch sont à votre disposition pour répondre à vos questions concernant nos produits et leurs accessoires.

Pour toute demande de renseignement ou commande de pièces de rechange, précisez-nous impérativement le numéro d'article à dix chiffres indiqué sur la plaque signalétique du produit.

Pour avoir des renseignements concernant la garantie, les travaux d'entretien ou de réparation ou les pièces de rechange, veuillez contacter votre détaillant spécialisé.

Morocco

Outipro
53, rue du Lieutenant Mahroud Mohamed
20300 Casablanca
Tel. : +212 (0) 522 400 409, +212 (0) 522 400 615
E-Mail: service@outipro.ma

Algeria

Siestal
Zone Industrielle Ihaddaden 06000 Bejaia
Tel : +213 (0) 982 400 991/2
Fax : +213 (0) 3 420 1569
E-Mail: sav@siestal-dz.com

Tunisia

Sotel
Z.I. St. Gobin Lotissement SMMT-Lot No 25-99
2014-Megrine Riadh
Tél. : +216 71 427 496
Fax : +216 71 354 175
E-Mail: sotel2@planet.tn

Élimination des déchets

Les outils électroportatifs, ainsi que leurs accessoires et emballages, doivent pouvoir suivre chacun une voie de recyclage appropriée.

Sous réserve de modifications.



التخلص من العدة الكهربائية

ينبغي التخلص من العدد الكهربائية والتوابع والغلاف بطريقة منصفة للبيئة عن طريق النفايات القابلة لإعادة التصنيع.

نحتفظ بحق إدخال التعديلات.

لا تستخدم ورقة صنفرة سبق وتم استعمالها لمعالجة المعادن لمعالجة المواد الأخرى بعد ذلك. استخدم توابع تليج بوش الأصلية فقط.

الصيانة والخدمة

الصيانة والتنظيف

- ◀ اسحب القابس من مقبس الشبكة الكهربائية قبل إجراء أي عمل على العدة الكهربائية.
- ◀ حافظ دائماً على نظافة العدة الكهربائية وشقوق التهوية للعمل بشكل جيد وأمن.

إن تطلب الأمر استبدال خط الامداد، فينبغي أن يتم ذلك من قبل شركة بوش أو من قبل مركز خدمة زبائن وكالة بوش للعدد الكهربائية، لتجنب التعرض للمخاطر.

خدمة الزبائن ومشورة الاستخدام

يجيب مركز خدمة الزبائن على أسئلتكم بصدد تصليح وصيانة المنتج وأيضاً بما يخص قطع الغيار. يعتز على الرسوم الممددة وعلى المعلومات عن قطع الغيار بموقع:

www.bosch-pt.com

سيكون من دواعي سرور فرقة مشورة الاستخدام بشركة بوش أن تساعدكم بخصوص الأسئلة عن منتجاتنا وتوابعها. يلزم ذكر رقم الصنف ذو الخانات العشر وفقاً للوحة صنع المنتج عند إرسال أية استفسارات أو طلبيات قطع غيار. يرجى التوجه إلى التاجر المختص بما يتعلّق بأمر الضمان والتصليح وتأمين قطع الغيار.

المغرب

اوتبرو

53، زنقة الملازم محمد محروض

الدار البيضاء- 20300 - المغرب

الهاتف: +212 (0) 522 400 615 / +212 (0) 522 400 409

البريد الإلكتروني: service@outipro.ma

الجزائر

سيستال

المنطقة الصناعية احدادن

بجاية 06000 - الجزائر

الهاتف: +213 (0) 982 400 992

الفاكس: +213 (0) 34201569

البريد الإلكتروني: sav@siestal-dz.com

تونس

صوتال

م.ص. المجمع سان كويان رقم 99-25

2014. مكرين رياض تونس

الهاتف: +216 71 428 770

الفاكس: +216 71 354 175

البريد الإلكتروني: sotel2@planet.tn

مصر

يونيمار

رقم 20 مركز الخدمات

التجمع الاول - القاهرة الجديدة - مصر

الهاتف: +2 02 224 76091 - 95 / +2 02 224 78072 - 73

لفاكس: +2 022 2478075

البريد الإلكتروني: boschegypt@unimaregypt.com

- استخدم شافطة غبار ملائمة للمادة قدر الإمكان.
- حافظ على تهوية مكان الشغل بشكل جيد.
- ينصح بارتداء قناع وقاية للتنفس بفتحة المرشح P2.
- تراعى الأحكام السارية في بلدكم بالنسبة للمواد المرغوب معالجتها.
- ◀ **تجنب تراكم الغبار بمكان العمل.** يجوز أن تشتعل الأغبرة بسهولة.

الشفط الخارجي (تراجع الصورة A)

اغرز وصلة الشفط المهائية 9 على وصلة النفخ 8. احرص على تعاشق ذراع التثبيت على وصلة الشفط المهائية. يمكن أن يربط بوصلة الشفط المهائية 9 خرطوم شفط بقطر يبلغ 19 مم.

من أجل فك وصلة الشفط المهائية 9 يكبس ذراعي تثبيتها من الخلف باتجاه بعضهما البعض وتسمح وصلة الشفط المهائية عن العدة نحو الخلف.

يجب أن تصلح شافطة الغبار الخوائية للاستعمال مع مادة الشغل المرغوب معالجتها.

استخدم شافطة غبار خوائية خاصة عند شفط الأغبرة المضرة بالصحة أو المسببة للسرطان أو الشديدة الجفاف.

الشفط الذاتي بواسطة كيس الغبار (تراجع الصورة B)

يمكن وصل كيس الغبار (من التوابيع) 1 عند تنفيذ الأعمال البسيطة. اغرز وصلة كيس الغبار على وصلة النفخ 8 بإحكام. أفرغ كيس الغبار 1 في الوقت المناسب للمحافظة على قدرته مثالية لاستيعاب الغبار.

التشغيل

بدء التشغيل

- ◀ **انتبه إلى جهد الشبكة الكهربائية! يجب أن يتطابق جهد منبع التيار مع المعلومات المذكورة على لائحة طراز الجهاز.** يمكن أن يتم تشغيل العدد الكهربائية المحددة بـ 230 فولط بـ 220 فولط أيضا.

التشغيل والإطفاء

من أجل تشغيل العدة الكهربائية يقلب مفتاح التشغيل والإطفاء 7 إلى اليمين على الوضع "I".

من أجل إطفاء العدة الكهربائية يقلب مفتاح التشغيل والإطفاء 7 إلى اليسار على الوضع "0".

شغل العدة الكهربائية فقط عندما تستخدمها، من أجل توفير الطاقة.

ملاحظات شغل

- ◀ **انتظر إلى أن تتوقف العدة الكهربائية عن الحركة قبل أن تركنها.**
- ◀ **اسحب القابس من مقبس الشبكة الكهربائية قبل إجراء أي عمل على العدة الكهربائية.**
- يتمّ تمديد قدرة الإزاحة عند التجليخ بشكل كبير من خلال اختيار ورق الصنفرة.
- فقط أوراق الصنفرة السالمة هي التي تؤدي إلى أداء تجليخ جيد وإلى صيانة العدة الكهربائية.
- راع المحافظة على ضغط تلامس منتظم لزيادة فترة صلاحية ورق الصنفرة.
- لا يؤدي زيادة الضغط على الجهاز إلى أداء تجليخ أعلى بل إلى استهلاك أشد للعدة الكهربائية ولورق الصنفرة.

لنزع ورق الصنفرة 4 يبلّ ذراع القمط 3 وتسمح ورقة الصنفرة من ممسكها الخلفي. اضغط على زر فك الإقفال 5 وانزع ورقة الصنفرة بشكل كامل.

أوراق الصنفرة بالتثبيت اللازق

إن كان قد تم تجهيز صفيحة التجليخ 2 بنسيج لازق، فيمكنك أن تثبت بواسطة أوراق الصنفرة المزودة بالتثبيت اللازق بشكل سريع وبسيط.

انفض الغبار عن النسيج اللازق بصفيحة التجليخ 2 قبل تركيب ورق الصنفرة 4 لتأمين الالتصاق بشكل مثالي.

ركز ورق الصنفرة 4 على أحد طرفي صفيحة التجليخ 2 بتساطح، ثم مدد ورقة الصنفرة على صفيحة التجليخ وتثبيتها بإحكام من خلال الضغط عليها بحركة دائرية خفيفة باتجاه حركة عقارب الساعة.

لنزع ورقة الصنفرة 4 تمسك من إحدى زواياها وتسمح عن صفيحة التجليخ 2.

اختيار ورقة الصنفرة

أوراق الصنفرة متوفرة حسب المواد المطلوب معالجتها وحسب قدرة الإزاحة المرغوبة عن سطح المادة:

المبيبات

40-240

red:Wood

لمعالجة شتى أنواع المواد الخشبية

للتجليخ الأولي للعوارض والألواح الخشبية الخشنة مثلاً	خشنة	40, 60
لصقل وتسوية التعرجات الصغيرة	متوسطة	80, 120
لإنهاء وتنعيم تجليخ الأخشاب الصلدة	ناعمة	180, 240

40-240

white:Paint

لمعالجة طبقات الطلاء والورنيش أو الطلاء الأولي كالمعجون والمشوة

لإزالة الطلاء بالتجليخ	خشنة	40, 60
لتجليخ الطلاء الأولي	متوسطة	80, 120
للتجليخ النهائي للطلاء الأولي قبل طلي الورنيش	ناعمة	180, 240

شفط الغبار/النشارة

- ◀ إن أغبرة بعض المواد كالطلاء الذي يحتوي على الرصاص، وبعض أنواع الخشب والفلزات والمعادن، قد تكون مضرة بالصحة. إن ملامسة أو استنشاق الأغبرة قد يؤدي إلى ردود فعل زائدة الحساسية و/أو إلى أمراض المجاري التنفسية لدى المستخدم أو لدى الأشخاص المتواجدين على مقربة من المكان.
- تعتبر بعض الأغبرة المعينة، كأغبرة البلوط والزنان بأنها مسببة للسرطان، ولا سيما بالاتصال مع المواد الإضافية لمعالجة الخشب (ملح حامض الكروميك، المواد الحافظة للخشب). يجوز أن يتم معالجة المواد التي تمتوي على الأسبستوس من قبل العمال المتخصصين فقط دون غيرهم.

- 11 عدة تثقيب *
 12 مقبض يدوي (سطح القبض معزول)
 * لا يتضمن إطار التوريد الاعتيادي التوابع المصورة أو الموصوفة. يثر على التوابع الكاملة في برنامجنا للتوابع.

البيانات الفنية

GSS 140 A		جلاخة مترجمة
0 601 297 0..		رقم الصنف
180	واط	القدرة الاسمية المقنية
12000	دقيقة ¹	عدد الدوران اللامحلي
24000	دقيقة ¹	عدد الترجع اللامحلي
1,6	مم	قطر مدار الترجع
		مقاسات ورق الصنفرة
115 x 107	مم	تثبيت لازق
115 x 140	مم	الشد بالقمط
113 x 105	مم	مقاسات صفيحة التجلخ
		الوزن حسب
1,4	كغ	EPTA-Procedure 01:2014
II / □		فئة الوقاية
القيم سارية المفعول لجهد اسمي [U] بمقدار 230 فولط. قد تتفاوت هذه القيم عندما يختلف الجهد عن ذلك أو بترازات خاصة ببلدان معينة.		

التركيب

- ◀ اسحب القابس من مقبس الشبكة الكهربائية قبل إجراء أي عمل على العدة الكهربائية.

استبدال ورق الصنفرة

أبعد الغبار والأوساخ عن صفيحة التجلخ 2 بواسطة فرشاة مثلاً قبل تثبيت ورقة صنفرة جديدة.
 لضمان عملية شطف غبار مثالية يستوجب مراعاة مطابقة الثقوب الموجودة على ورق الصنفرة مع التجاويف الموجودة بصفيحة التجلخ.

أوراق صنفرة دون تثبيت لازق (تراجع الصور E-C)

- 1 اكبس زر فك الإقفال 5 وحافظ على إبقائه مضغوطاً.
 - 2 ادفع ورقة الصنفرة 4 حتى التصادم تمت عارضة القمط الأمامية 6 المفتوحة ثم اكبس زر فك الإقفال 5. انتبه إلى شد ورقة الصنفرة بوضع وسطي.
 - 3 اضغط ذراع القمط 3 إلى الداخل واقبله إلى حد التصادم.
 - 4 ضع ورقة الصنفرة 4 حول صفيحة التجلخ بانشداد. ادفع النهاية الأخرى لورقة الصنفرة 4 بين عارضة القمط الخلفية وبين العجلة الحمراء على ذراع القمط 3.
 - 5 حافظ على انشداد ورقة الصنفرة واضغط ذراع القمط 3 باتجاه صفيحة التجلخ من أجل تثبيت ورقة الصنفرة.
- يمكن تثقيب أوراق الصنفرة الغير مثقوبة، مثلاً: من البكرات أو البضائع التي تباع بالمتري، بواسطة عدة التثقيب 11 لتأمين شطف الغبار. لتنفيذ ذلك، تضغط العدة الكهربائية بورق الصنفرة المركب عليها على عدة التثقيب (تراجع الصورة F).

- ◀ حافظ على إبقاء عدد القطع نظيفة وحادة. إن عدد القطع ذات حواف القطع الحادة التي تم صيانتها بعناية تتكلم بشكل أقل ويمكن توجيهها بشكل أسير.
 ◀ استخدم العدد الكهربائية والتوابع وعدد الشغل وإلخ. حسب هذه التعليمات. تراعى أثناء ذلك شروط الشغل والعمل المراد تنفيذه. استخدم العدد الكهربائية لغير الأشغال المخصصة لأجلها قد يؤدي إلى حدوث الحالات الفظيرة.

الخدمة

- ◀ اسمع بتصليح عدتك الكهربائية فقط من قبل العمال المتخصصين و فقط باستعمال قطع الغيار الأصلية. يؤمن ذلك المحافظة على أمان الجهاز.

ملاحظات الأمان للجلاخات

- ◀ استخدم العدة الكهربائية للتجلخ الجاف فقط. إن تسرب الماء إلى داخل العدة الكهربائية يزيد من خطر الصدمات الكهربائية.
 ◀ انتبه لخطر نشوب الحرائق! تجنب فرط إجماء مادة التجلخ والجلاخة. أفرغ وعاء الغبار دائماً قبل استراحتات العمل. قد يشتعل غبار التجلخ من تلقاء نفسه في كيس الغبار والمرشح الدقيق و الكيس الورقي (أو في كيس المرشح أو مرشح الشافطة الخوائية) في ظروف غير ملائمة، كتطاير الشرر عند تجليخ المعادن. وينتج الخطر بشكل خاص إن تم مزج غبار التجلخ مع بقايا الطلاء أو البوليبريتان أو غيرها من المواد الكيميائية وإن كانت المادة قيد التجلخ حامية بعد الشغل لفترة طويلة.
 ◀ أمن قطعة الشغل. يتم القبض على قطعة الشغل التي تم تثبيتها بواسطة تجهيزه شد أو بواسطة الملزمة بأمان أكبر مما لو تم المسك بها بواسطة يدك.

وصف المنتج والأداء

- اقرأ جميع الملاحظات التحذيرية والتعليمات. إن ارتكاب الأخطاء عند تطبيق الملاحظات التحذيرية والتعليمات قد يؤدي إلى الصدمات الكهربائية، إلى نشوب الحرائق و/أو الإصابة بجروح خطيرة.



الاستعمال المخصص

الجهاز مخصص للتجلخ الجاف بالخشب واللدائن والمعجون بالإضافة إلى السطوح المطلية.

الأجزاء المصورة

يستند ترقيم الأجزاء المصورة إلى رسوم العدة الكهربائية الموجودة في صفحة الرسوم التخطيطية.

- 1 كيس الغبار
- 2 صفيحة تجليخ
- 3 ذراع القمط
- 4 ورق الصنفرة
- 5 زر فك إقفال عارضة القمط الأمامية
- 6 عارضة القمط الأمامية
- 7 مفتاح التشغيل والإطفاء
- 8 وصلة النفخ
- 9 وصلة شطف مهابئة *
- 10 خرطوم الشفط *

عربي

تعليمات الأمان

ملاحظات تحذيرية عامة للعدد الكهربائية

تحذير اقرأ جميع الملاحظات التحذيرية والتعليمات.

إن ارتكاب الأخطاء عند تطبيق الملاحظات التحذيرية والتعليمات قد يؤدي إلى الصدمات الكهربائية، إلى نشوب الحرائق و/أو الإصابة بجروح خطيرة.

احتفظ بجميع الملاحظات التحذيرية والتعليمات للمستقبل.

يقصد بمصطلح "العدة الكهربائية" المستخدم في الملاحظات التحذيرية، العدد الكهربائية الموصولة بالشبكة الكهربائية (بواسطة كابل الشبكة الكهربائية) وأيضاً العدد الكهربائية المزودة بمركم (دون كابل الشبكة الكهربائية).

الأمان بمكان الشغل

حافظ على نظافة وحسن إضاءة مكان شغلك. الفوضى في مكان الشغل ومجالات العمل الغير مضاءة قد تؤدي إلى حدوث الحوادث.

لا تشتغل بالعدد الكهربائية في محيط معرض لخطر الانفجار والذي تتوفر فيه السوائل أو الغازات أو الأبخرة القابلة للاشتعال. العدد الكهربائية تشكل الشر الذي قد يتطاير، فيشعل الأبخرة والأبخرة.

حافظ على بقاء الأطفال وغيرهم من الأشخاص على بعد عندما تستعمل العدد الكهربائية. قد تفقد السيطرة على الجهاز عند التلهي.

الأمان الكهربائي

يجب أن يتلائم قابس وصل العدد الكهربائية مع المقبس. لا يجوز تغيير القابس بأي حال من الأحوال. لا تستعمل القوابس المهايئة مع العدد الكهربائية المؤرصة تأريض وقائي. تخفّض القوابس التي لم يتم تغييرها والمقابس الملائمة من خطر الصدمات الكهربائية.

تجنب ملامسة السطوح المؤرصة كالأنابيب ورادياتورات التدفئة والمدافئ أو البرادات بواسطة جسمك. يزداد خطر الصدمات الكهربائية عندما يكون جسمك مؤرض.

ابتعد العدد الكهربائية عن الأمطار أو الرطوبة. يزداد خطر الصدمات الكهربائية إن تسرب الماء إلى داخل العدد الكهربائية.

لا تسيء استعمال الكابل لحمل العدد الكهربائية أو تعليقها أو سحب القابس من المقبس. حافظ على إبعاد الكابل عن الحرارة والزيت والمواف الحادة أو عن أجزاء الجهاز المتحركة. تزيد الكابلات التالفة أو المتشابهة من خطر الصدمات الكهربائية.

استخدم فقط كابلات التمديد الصالحة للاستعمال الخارجي أيضاً عندما تشتغل بالعدة الكهربائية في الغلاء. يخفّض استعمال كابل تمديد مخصص للاستعمال الخارجي من خطر الصدمات الكهربائية.

إن لم يكن بالإمكان تجنب تشغيل العدد الكهربائية في الأجواء الرطبة، فاستخدم مفتاح للوقاية من التيار المتخلف. إن استخدام مفتاح للوقاية من التيار المتخلف يقلل خطر الصدمات الكهربائية.

أمان الأشخاص

كن يقظاً وانتبه إلى ما تفعله وقم بالعمل بواسطة العدة الكهربائية بتعقل. لا تستخدم عدة كهربائية عندما تكون متعب أو عندما تكون تحت تأثير المخدرات أو الكحول أو الأدوية. عدم الانتباه للحظة واحدة عند استخدام العدة الكهربائية قد يؤدي إلى إصابات خطيرة.

ارتد عتاد الوقاية الخاص وارتد دائماً نظارات واقية. يحد ارتداء عتاد الوقاية الخاص، كقناع الوقاية من الغبار وأخذية الأمان الواقية من الانزلاق والوخز أو واقية الأذنين، حسب نوع واستعمال العدة الكهربائية، من خطر الإصابة بجروح.

تجنب التشغيل بشكل غير مقصود. تأكد من كون العدة الكهربائية مطفأة قبل وصلها بإمداد التيار الكهربائي و/أو بالمركم، وقبل رفعها أو حملها. إن كنت تضع إصبعك على المفتاح أثناء حمل العدة الكهربائية أو إن وصلت الجهاز بالشبكة الكهربائية عندما يكون قيد التشغيل، فقد يؤدي ذلك إلى حدوث الحوادث.

انزع عدد الضبط أو مفتاح الربط قبل تشغيل العدة الكهربائية. قد تؤدي العدة أو المفتاح المتواجد في جزء دوار من الجهاز إلى الإصابة بجروح.

تجنب أوضاع الجسم الغير طبيعية. قف بأمان وحافظ على توازنك دائماً. سيسمح لك ذلك من السيطرة على الجهاز بشكل أفضل في المواقف الغير متوقعة.

ارتد ثياب مناسبة. لا ترتد الثياب الفضفاضة أو الملينة. حافظ على إبقاء الشعر والثياب والقفازات على بعد عن أجزاء الجهاز المتحركة. قد تتشابك الثياب الفضفاضة والملينة والشعر الطويل بالأجزاء المتحركة.

إن جاز تركيب تجهيزات شفط وتجميع الغبار، فتأكد من أنها موصولة وبأنه يتم استخدامها بشكل سليم. قد يقلل استخدام تجهيزات لشفط الأبخرة من المخاطر الناتجة عن الأبخرة.

حسن معاملة واستخدام العدد الكهربائية

لا تفرط بتحميل الجهاز. استخدم لتنفيذ أشغالك العدة الكهربائية المخصصة لذلك. إنك تعمل بشكل أفضل وأكثر أماناً بواسطة العدة الكهربائية الملائمة في مجال الأداء المذكور.

لا تستخدم العدة الكهربائية إن كان مفتاح تشغيلها تالف. العدة الكهربائية التي لم تعد تسمع بتشغيلها أو بإطفاؤها خطيرة ويجب أن يتم تصليحها.

اسحب القابس من المقبس و/أو انزع المركم قبل ضبط الجهاز وقبل استبدال قطع التوايح أو قبل وضع الجهاز جانباً. تمنع إجراءات الاحتياط هذه تشغيل العدة الكهربائية بشكل غير مقصود.

احتفظ بالعدد الكهربائية التي لا يتم استخدامها بعيداً عن مجال الأطفال. لا تسمح باستخدام العدة الكهربائية لمن لا خبرة له بها أو لمن لم يقرأ تلك التعليمات. العدد الكهربائية خطيرة إن تم استخدامها من قبل أشخاص دون خبرة.

اعتن بالعدة الكهربائية بشكل جيد. تفحص عما إذا كانت أجزاء الجهاز المتحركة تعمل بشكل سليم وبأنها غير متعصبة عن الحركة أو إن كانت هناك أجزاء مكسورة أو تالفة لدرجة تؤثر فيها على حسن أداء العدة الكهربائية. ينبغي تصليح هذه الأجزاء التالفة قبل إعادة تشغيل الجهاز. الكثير من الحوادث مصدرها العدد الكهربائية التي تم صيانتها بشكل رديء.

کاغذ سنباده ای که از آن برای سنباده کاری فلزات استفاده شده است، آنرا برای سنباده کاری قطعات دیگر بکار نبرید.

تنها از ابزار سنباده کاری و متعلقات ساخت بوش استفاده کنید.

مراقبت و سرویس

مراقبت، تعمیر و تمیز کردن دستگاه

◀ **پیش از انجام هرگونه کاری بر روی ابزار الکتریکی، دوشاخه اتصال آنرا از داخل پریز برق بیرون بکشید.**

◀ **ابزار الکتریکی و شیارهای تهویه آنرا تمیز نگاه دارید، تا ایمنی شما در کار تضمین گردد.**

در صورت نیاز به یک کابل پدکی برای اتصال به شبکه برق، بایستی به شرکت بوش و یا به نمایندگی مجاز بوش (خدمات پس از فروش) برای ابزار آلات برقی بوش مراجعه کنید تا از بروز خطرات ایمنی جلوگیری بعمل آید.

خدمات پس از فروش و مشاوره با مشتریان

دفتر خدمات پس از فروش به سئوالات شما در باره تعمیرات، سرویس و همچنین قطعات یدکی و متعلقات پاسخ خواهد داد. تصاویر و اطلاعات در باره قطعات یدکی و متعلقات را میتوانید در سایت نامبرده زیر جستجو نمایید:

www.bosch-pt.com

تیم مشاور خدمات پس از فروش شرکت بوش با کمال میل به سئوالات شما در باره خرید، طرز استفاده و تنظیم محصولات و متعلقات پاسخ میدهد.

برای هرگونه سؤال و یا سفارش ابزار یدکی و متعلقات، حتماً شماره فنی ده رقمی کالا را مطابق برچسب روی ابزار برقی اطلاع دهید.

برای استفاده از گارانتی، تعمیر دستگاه و تهیه ابزار یدکی فقط به افراد متخصص مراجعه کنید.

از رده خارج کردن دستگاه

ابزار برقی، متعلقات و بسته بندی آن، باید طبق مقررات حفظ محیط زیست از رده خارج و بازیافت شوند.

حق هرگونه تغییری محفوظ است.

مکش گرد و غبار توسط مکنده مجزا (رجوع شود به تصویر A)

آداپتور مکش 9 را به لوله خروجی گرد و غبار 8 متصل کنید. توجه داشته باشید که اهرم های (زبانه های) قفل کننده آداپتور مکش بدرستی قرار و بخوبی جا بیافتند. به آداپتور مکش 9 می توان یک شلنگ مکش با قطر 19 میلی متر متصل نمود.

برای باز کردن آداپتور مکش 9 اهرم های مهار آنرا از سمت عقب به طرف یکدیگر فشار بدهید و آداپتور مکش را بیرون بکشید.

دستگاه مکنده باید برای قطعه کار مورد نظر مناسب باشد.

برای مکش گرد و غباری که برای سلامتی مضرند و سرطان زا هستند و یا برای مکش تراشه های خشک باید از یک دستگاه مکنده مخصوص استفاده کنید.

مکش گرد و غبار توسط کیسه گرد و غبار (رجوع شود به تصویر B)

هنگام انجام کارهای کوچکتر می توانید یک کیسه گرد و غبار 1 (متعلقات) را متصل کنید. لوله کیسه گرد و غبار را محکم به لوله خروجی گرد و غبار 8 متصل کنید. بمنظور مکش ایده ال گرد و غبار، کیسه گرد و غبار 1 را به موقع خالی کنید.

طرز کار با دستگاه

راه اندازی و نحوه کاربرد دستگاه

◀ **به ولتاژ برق شبکه توجه کنید! ولتاژ منبع جریان برق باید با مقادیر موجود بر روی برچسب ابزار الکتریکی مطابقت داشته باشد. ابزارهای برقی را که با ولتاژ 230 V ولت مشخص شده اند، می توان تحت ولتاژ 220 V ولت نیز بکار برد.**

نحوه روشن و خاموش کردن

برای روشن کردن ابزار برقی، کلید قطع و وصل 7 را بطرف راست فشار داده و آنرا در موقعیت «I» قرار دهید.

برای خاموش کردن ابزار برقی، کلید قطع و وصل 7 را بطرف چپ فشار داده و آنرا در موقعیت «0» قرار دهید.

جهت صرفه جویی در انرژی، ابزار برقی را فقط وقتی روشن کنید که می خواهید از آن استفاده کنید.

راهنمایی های عملی

◀ **قبل از کنار گذاشتن ابزار برقی باید صبر کنید تا دستگاه متوقف شده و از کار باز ایستد.**

◀ **پیش از انجام هرگونه کاری بر روی ابزار الکتریکی، دوشاخه اتصال آنرا از داخل پریز برق بیرون بکشید.**

میزان و توان لایه برداری به هنگام سنباده کاری عمدتاً به انتخاب نوع کاغذ سنباده بستگی دارد.

فقط کاغذهای سنباده سالم قدرت سایش را بالا برده و طول عمر ابزار برقی را حفظ می کنند.

سعی کنید که همیشه با فشار منظم و متعادل بر روی قطعه کار کنید، تا دوام کاغذ های سنباده افزایش یابد.

فشار بیش از حد بر روی قطعه کار باعث افزایش توان سنباده کاری نمیشود، بلکه منجر به استهلاک ابزار برقی و کاغذ سنباده می شود.

انتخاب کاغذ سنباده

متناسب با جنس قطعه کار و مقداری که باید از قطعه کار تراشیده شود، کاغذ های سنباده مختلفی عرضه میشود:

درشتی دانه ها

40-240

red:Wood

برای کار روی همه نوع چوب

برای سنباده کاری اولیه قطعاتی از جمله تیرهای چوبی و تخته با سطح ناصاف

زیر/درشت 40, 60

برای صاف کردن و همسطح کردن ناهمواری های کوچک متوسط 80, 120

برای سنباده زدن نهائی و ظریف چوب های سخت ظریف 180, 240

40-240

white:Paint

برای کار روی سطح های دارای رنگ و لاک و یا سایش زیرکاری مانند مواد پرکننده و سطوح ملات و بتونه کاری شده

برای سنباده کاری رنگ زیر/درشت 40, 60

برای سنباده کاری رنگ اولیه (ته رنگ) متوسط 80, 120

برای سنباده کاری نهائی زیر کار قبل از رنگ زدن نهائی ظریف 180, 240

مکش گرد، براده و تراشه

گرد و غبار موادی مانند رنگ های دارای سرب، بعضی از چوب ها، مواد معدنی و فلزات میتوانند برای سلامتی مضر باشند. دست زدن و یا تنفس کردن گرد و غبار ممکن است باعث بروز آلرژی و یا بیماری مجاری تنفسی شخص استفاده کننده و یا افرادی که در آن نزدیکی میباشند، بشود.

گرد و غبارهای مخصوصی مانند گرد و غبار درخت بلوط و یا درخت راش سرطان زا هستند. بخصوص ترکیب آنها با سایر موادی که برای کار بر روی چوب (کرومات، مواد برای محافظت از چوب) بکار برده میشوند. فقط افراد متخصص مجازند با موادی که دارای آزیست میباشند کار کنند.

- حتی الامکان از یک دستگاه مکش مناسب و در خور ماده (قطعه کار) استفاده کنید.
- توجه داشته باشید که محل کار شما از تهویه هوای کافی برخوردار باشد.
- توصیه میشود از ماسک تنفسی ایمنی با درجه فیلتر P2 استفاده کنید.

به قوانین و مقررات معتبر در کشور خود در رابطه با استفاده از مواد و قطعات کاری توجه کنید.

◀ **از تجمع گرد و غبار در محل کار خود جلوگیری بعمل آورید.** گرد و غبار می توانند به آسانی مشتعل شوند.

نصب

◀ **پیش از انجام هرگونه کاری بر روی ابزار الکتریکی، دوشاخه اتصال آنرا از داخل پریز برق بیرون بکشید.**

تعویض کاغذ سنباده

پیش از نصب و قرار دادن یک کاغذ سنباده جدید، گرد و غبار و تراشه های موجود در صفحه سنباده 2 را با کمک یک برس نرم تمیز کنید.

بمنظور تضمین مکش ایده آل گرد و غبار، توجه کنید که سوراخ های کاغذ سنباده بر روی سوراخ های صفحه سنباده کاملاً ماس باشد.

کاغذ های سنباده بدون سطح اتصال چسبنده از نوع ولکرو (رجوع شود به تصاویر C-E)

- 1 دکمه آزاد کننده 5 را فشار داده و آنرا فشرده نگه دارید.
- 2 کاغذ سنباده 4 را تا نقطه ایست در گیره نگه دارنده چلوئی 6 در حالیکه باز است قرار داده، سپس دکمه آزاد کننده 5 را مجدداً رها کنید. توجه داشته باشید که مرکز کاغذ سنباده کاملاً در مرکز صفحه سنباده قرار گرفته و خوب مهار شود.
- 3 قلاب نگه دارنده 3 را بطرف داخل فشار دهید و آنرا تا نقطه ایست بر روی محور خود بگردانید.
- 4 کاغذ سنباده 4 را محکم دور سطح صفحه سنباده بکشید. قسمت انتهایی کاغذ سنباده 4 را مابین قلاب باریک نگه دارنده پستی و رول قرمز رنگ واقع در قلاب نگه دارنده 3 قرار دهید.
- 5 کاغذ سنباده را محکم کشیده و قلاب نگه دارنده 3 را بطرف صفحه سنباده فشار داده تا بتوانید کاغذ سنباده را قفل کنید (جا ببندازید).

کاغذ های سنباده بدون سوراخ از جمله کاغذ های سنباده قرقره ای و یا کاغذ های متری را میتوان برای مکش گرد و غبار بوسیله ابزار پانچ (ابزار سوراخ کن) 11 سوراخ کرد. برای این منظور ابزار برقی را در حالیکه کاغذ سنباده بر روی آن نصب شده است، بر روی ابزار پانچ فشار بدهید (رجوع شود به تصویر F).

جهت برداشتن کاغذ سنباده 4، قلاب نگه دارنده 3 را آزاد کنید و کاغذ سنباده را از داخل قلاب نگه دارنده پستی آن بیرون بکشید. دکمه فشاری آزاد کننده 5 را فشار دهید و کاغذ سنباده را کاملاً بیرون بکشید.

کاغذ های سنباده با سطح اتصال چسبنده از نوع ولکرو

چنانچه صفحه سنباده 2 به یک بافت اتصال دهنده از نوع ولکرو (Velcro) مجهز باشد، آنگاه میتوان کاغذ های سنباده را با این سطح اتصال دهنده چسبنده ولکرو آسان و سریع به صفحه سنباده متصل نمود.

بافت اتصال دهنده صفحه سنباده 4 را پیش از نصب و قرار دادن کاغذ سنباده 2 بچوبی بتکانید تا اتصال ایده آل امکان پذیر شود.

کاغذ سنباده 2 را از یک طرف صفحه سنباده 4 لب به لب بر روی صفحه قرار داده و سپس کاغذ سنباده را بطور کامل بر روی صفحه سنباده قرار دهید و کاغذ سنباده را بر روی صفحه سنباده فشار دهید.

جهت برداشتن کاغذ سنباده 4، نخست از یک گوشه کاغذ سنباده گرفته و با کشیدن آنرا از صفحه سنباده 2 جدا کنید.

تشریح دستگاه و عملکرد آن

کلیه دستورات ایمنی و راهنمایی ها را مطالعه کنید. اشتباهات ناشی از عدم رعایت این دستورات ایمنی ممکن است باعث برق گرفتگی، سوختگی و یا سایر جراحات های شدید شود.



موارد استفاده از دستگاه

این دستگاه برای سنباده کاری خشک روی چوب، مواد پلاستیکی، سطوح ملات کاری و بتونه کاری شده (سطح زیر کار ساختمان) و هم چنین سطوح رنگ و لاک رنگ کاری شده مناسب میباشد.

اجزاء دستگاه

شماره های اجزاء دستگاه که در تصویر مشاهده میشود، مربوط به شرح ابزار برقی می باشد که تصویر آن در این دفترچه آمده است.

- 1 کیسه گرد و غبار
- 2 صفحه سنباده
- 3 قلاب نگهدارنده برای مهار کاغذ سنباده
- 4 کاغذ سنباده
- 5 دکمه آزاد کننده گیره نگهدارنده چلوئی
- 6 گیره چلوئی
- 7 کلید قطع و وصل
- 8 لوله خروجی گرد و غبار
- 9 آداپتور مکش*
- 10 شلنگ مکش*

- 11 ابزار سوراخ کننده (ابزار پانچ)*
- 12 دسته (با روکش عایق دار)

* کلیه متعلقاتی که در تصویر و یا در متن آمده است، بطور معمول همراه دستگاه ارائه نمی شود. لطفاً لیست کامل متعلقات را از فهرست برنامه متعلقات اقتباس نمایند.

مشخصات فنی

سنباده تخت لرزان		GSS 140 A
شماره فنی	0 601 297 0..	
قدرت ورودی نامی	W	180
سرعت در حالت آزاد	min ⁻¹	12000
سرعت لرزش در حالت آزاد	min ⁻¹	24000
قطر دایره ارتعاش و لرزش (قطر صفحه لرزنده)	mm	1,6
ابعاد کاغذ سنباده اتصال از طریق بافت چسبنده ولکرو	mm	115 x 107
ابعاد بوسیله گیره	mm	115 x 140
ابعاد صفحه سنباده	mm	113 x 105
وزن مطابق استاندارد EPTA-Procedure 01:2014	kg	1,4
کلاس ایمنی	II / □	

این اطلاعات برای ولتاژ نامی 230V [U] ولت می باشد و در صورت تغییر ولتاژ و یا در کشورهای دیگر می توانند تغییر کنند.

قبل از تنظیم ابزار الکتریکی، تعویض متعلقات و یا کناره گذاشتن آن، دوشاخه را از برق کشیده و یا باتری آنرا خارج کنید. رعایت این اقدامات پیشگیری ایمنی از راه افتادن ناخواسته ابزار الکتریکی جلوگیری می کند.

ابزار الکتریکی را در صورت عدم استفاده، از دسترس کودکان دور نگهدارید. اجازه ندهید که افراد ناوارد و یا اشخاصی که این دفترچه راهنما را نخوانده اند، با این دستگاه کار کنند. قرار گرفتن ابزار الکتریکی در دست افراد ناوارد و بی تجربه خطرناک است.

از ابزار الکتریکی خوب مراقبت کنید. مواظب باشید که قسمت های متحرک دستگاه خوب کار کرده و گیر نکنند. همچنین دقت کنید که قطعات ابزار الکتریکی شکسته و یا آسیب دیده نباشند. قطعات آسیب دیده را قبل از شروع به کار تعمیر کنید. علت بسیاری از سوانح کاری، عدم مراقبت کامل از ابزارهای الکتریکی می باشد.

ابزار برش را تیز و تمیز نگهدارید. ابزار برشی که خوب مراقبت شده و از لبه های تیز برخوردارند، کمتر در قطعه کار گیر کرده و بهتر قابل هدایت می باشند.

ابزارهای الکتریکی، متعلقات، ابزاری که روی دستگاه نصب می شوند و غیره را مطابق دستورات این جزوه راهنما طوری به کار بگیرید که با مدل این دستگاه تناسب داشته باشند. همچنین به شرایط کاری و نوع کار توجه کنید. کاربرد ابزار برقی برای موارد کاری که برای آن در نظر گرفته نشده است، میتواند شرایط خطرناکی را منجر شود.

سرویس

برای تعمیر ابزار الکتریکی فقط به متخصصین حرفه ای رجوع کرده و از وسائل بدکی اصل استفاده کنید. این باعث خواهد شد که ایمنی دستگاه شما تضمین گردد.

راهنمایی ها و نکات ایمنی برای سنباده ها

از این ابزار برقی فقط برای سنباده کاری خشک استفاده کنید. نفوذ آب به داخل یک دستگاه برقی خطر برق گرفتگی را افزایش میدهد.

توجه، خطر سوختگی و حریق! از داغ شدن بیش از حد قطعه کار و همچنین دستگاه سنباده کاری جلوگیری کنید. پیش از استراحت های کاری، همیشه محفظه گرد و غبار و تراشه را خالی کنید. گرد و غبار و ذرات ناشی از سنباده کاری، ممکن است در داخل کیسه گرد و غبار، در مایکرو فیلتر، در کیسه کاغذی (و یا در محفظه فیلتر و همچنین در فیلتر دستگاه مکش) تحت شرایط نامناسب از جمله هنگام پرش و جهش جرقه های ایجاد شده هنگام سنباده کاری فلزات خود بخود آتش بگیرد. مخصوصاً این خطر هنگامی بیشتر است که ذرات ناشی از سنباده کاری با لاک رنگ، بقایای پلی اورتان و یا سایر مواد شیمیائی مخلوط شده و قطعه کار بعد از کار طولانی داغ شده باشد.

قطعه کار را محکم کنید. در صورتیکه قطعه کار به وسیله تجهیزات نگهدارنده و یا بوسیله گیره محکم شده باشد، قطعه کار مطمئن تر نگه داشته میشود، تا اینکه بوسیله دست نگهداشته شود.

فارسی

راهنمائی های ایمنی

راهنمائی های ایمنی عمومی برای ابزارهای الکتریکی

هشدار! همه دستورات ایمنی و راهنمائی ها را اشتباهات ناشی از عدم رعایت این دستورات ایمنی ممکن است باعث برق گرفتگی، سوختگی و یا سایر جراحات های شدید شود.

همه هشدار های ایمنی و راهنمائی ها را برای آینده خوب نگهداری کنید.

هر جا در این راهنما از «ابزار الکتریکی» صحبت میشود، منظور ابزارهای الکتریکی (با سیم برق) و یا ابزارهای الکتریکی باتری دار (بدون سیم برق) می باشد.

ایمنی محل کار

محل کار خود را تمیز، مرتب و مجهز به نور کافی نگهدارید. محیط کار نامرتب و کم نور میتواند باعث سوانح کاری شود.

با ابزار الکتریکی در محیط هایی که در آن خطر انفجار وجود داشته و حاوی مایعات، گازها و بخارهای محترقه باشد، کار نکنید. ابزار های الکتریکی جرقه هایی ایجاد می کنند که می توانند باعث آتش گرفتن گرد و غبارهای موجود در هوا شوند.

هنگام کار با ابزار الکتریکی، کودکان و سایر افراد را از دستگاه دور نگهدارید. در صورتیکه حواس شما پرت شود، ممکن است کنترل دستگاه از دست شما خارج شود.

ایمنی الکتریکی

دوشاخه ابزار الکتریکی باید با پریز برق تناسب داشته باشد. هیچگونه تغییری در دوشاخه ندهید. مبدل دوشاخه نباید همراه با ابزار الکتریکی دارای اتصال به زمین استفاده شود. دوشاخه های اصل و تغییر داده نشده و پریزهای مناسب، خطر شوک الکتریکی و برق گرفتگی را کم می کنند.

از تماس بدنی با قطعات متصل به سیم اتصال به زمین مانند لوله، شوفاژ، اجاق برقی و یخچال خودداری کنید. در صورت تماس بدنی با سطوح و قطعات دارای اتصال به زمین و همچنین تماس شما با زمین، خطر برق گرفتگی افزایش می یابد.

دستگاه را از باران و رطوبت دور نگهدارید. نفوذ آب به ابزار الکتریکی، خطر شوک الکتریکی را افزایش میدهد.

از سیم دستگاه برای کارهایی چون حمل ابزار الکتریکی، آویزان کردن آن و یا خارج کردن دوشاخه از برق استفاده نکنید. کابل دستگاه را در مقابل حرارت، روغن، لبه های تیز و بخش های متحرک دستگاه دور نگهدارید. کابل های آسیب دیده و یا گره خورده خطر شوک الکتریکی را افزایش میدهند.

در صورتیکه با ابزار الکتریکی در محیط باز کار میکنید، تنها از کابل رابطی استفاده کنید که برای محیط باز نیز مناسب باشد. کابل های رابط مناسب برای محیط باز، خطر برق گرفتگی را کم می کنند.

در صورت لزوم کار با ابزار برقی در محیط و اماکن مرطوب، باید از یک کلید حفاظتی جریان خطا و نشستی زمین (کلید قطع کننده اتصال با زمین) استفاده کنید. استفاده از کلید حفاظتی جریان خطا و نشستی زمین خطر برق گرفتگی را کاهش می دهد.

رعایت ایمنی اشخاص

حواس خود را خوب جمع کنید، به کار خود دقت کنید و با فکر و توجه کامل با ابزار الکتریکی کار کنید. در صورت خستگی و یا در صورتیکه مواد مخدر، الکل و دارو استفاده کرده اید، با ابزار الکتریکی کار نکنید. یک لحظه بی توجهی هنگام کار با ابزار الکتریکی، میتواند جراحات های شدیدی به همراه داشته باشد.

از تجهیزات ایمنی شخصی و از عینک ایمنی همواره استفاده کنید. استفاده از تجهیزات ایمنی مانند ماسک ایمنی، کفش های ایمنی ضد لغزش، کلاه ایمنی و گوشی ایمنی متناسب با نوع کار با ابزار الکتریکی، خطر مجروح شدن را کاهش میدهد.

مواظب باشید که ابزار الکتریکی بطور ناخواسته بکار نیفتد. قبل از وارد کردن دوشاخه دستگاه در پریز برق، اتصال آن به باتری، برداشتن آن و یا حمل دستگاه، باید دقت کنید که ابزار الکتریکی خاموش باشد. در صورتیکه هنگام حمل دستگاه انگشت شما روی دکمه قطع و وصل باشد و یا دستگاه را در حالت روشن به برق بزنید، ممکن است سوانح کاری پیش آید.

قبل از روشن کردن ابزار الکتریکی، باید همه ابزارهای تنظیم کننده و آچار ها را از روی دستگاه بردارید. ابزار و آچارهایی که روی بخش های چرخنده دستگاه قرار دارند، میتوانند باعث ایجاد جراحات شوند.

وضعیت بدن شما باید در حالت عادی قرار داشته باشد. برای کار جای مطمئنی برای خود انتخاب کرده و تعادل خود را همواره حفظ کنید. به این ترتیب می توانید ابزار الکتریکی را در وضعیت های غیر منتظره بهتر تحت کنترل داشته باشید.

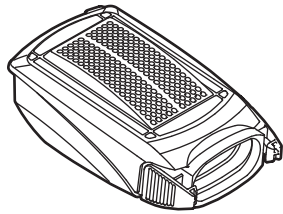
لباس مناسب بپوشید. از پوشیدن لباس های گشاد و حمل زینت آلات خودداری کنید. موها، لباس و دستکش ها را از بخش های در حال چرخش دستگاه دور نگهدارید. لباس های گشاد، موی بلند و زینت آلات ممکن است در قسمت های در حال چرخش دستگاه گیر کنند.

در صورتیکه میتوانید وسایل مکش گرد و غبار و یا وسیله جمع کننده گرد و غبار را به دستگاه نصب کنید، باید مطمئن شوید که این وسایل درست نصب و استفاده می شوند. استفاده از وسایل مکش گرد و غبار مصونیت شما را در برابر گرد و غبار زیاد تر میکند.

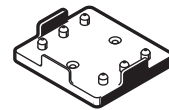
استفاده صحیح از ابزار الکتریکی و مراقبت از آن

از وارد کردن فشار زیاد روی دستگاه خودداری کنید. برای هر کاری، از ابزار الکتریکی مناسب با آن استفاده کنید. بکار گرفتن ابزار الکتریکی مناسب باعث میشود که بتوانید از توان دستگاه بهتر و با اطمینان بیشتر استفاده کنید.

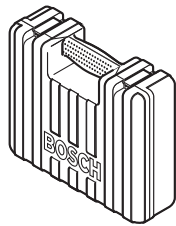
در صورت ایراد در کلید قطع و وصل ابزار برقی، از دستگاه استفاده نکنید. ابزار الکتریکی که نمی توان آنها را قطع و وصل کرد، خطرناک بوده و باید تعمیر شوند.



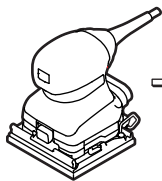
2 605 411 203



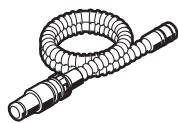
2 610 920 650



2 610 921 045



2 600 306 007



Ø 19 mm
2 600 793 009 (3 m)
1 610 793 002 (5 m)



1 609 200 933 GAS 25
GAS 50
GAS 50 M