

Robert Bosch Power Tools GmbH
70538 Stuttgart
GERMANY

www.bosch-pt.com

1 609 92A 2VU (2016.11) AS / 34 ASIA



1 609 92A 2VU

GSR ProDrive Professional

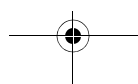
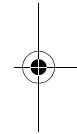
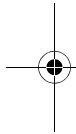


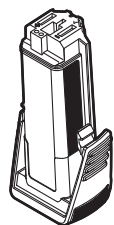
- en** Original instructions
- cn** 正本使用说明书
- tw** 原始使用說明書
- ko** 사용 설명서 원본
- th** หนังสือคู่มือการใช้งานฉบับต้นแบบ
- id** Petunjuk-Petunjuk untuk Penggunaan Orisinal
- vi** Bản gốc hướng dẫn sử dụng



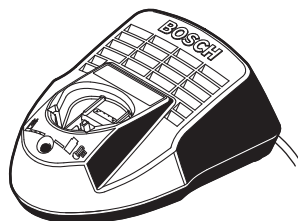


English Page 6
 中文 页 11
 中文 頁 14
 한국어 페이지 17
 ภาษาไทย..... หน้า 21
 Bahasa Indonesia Halaman 25
 Tiếng Việt Trang 29

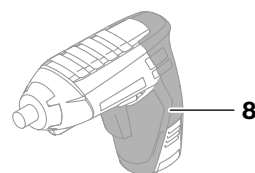
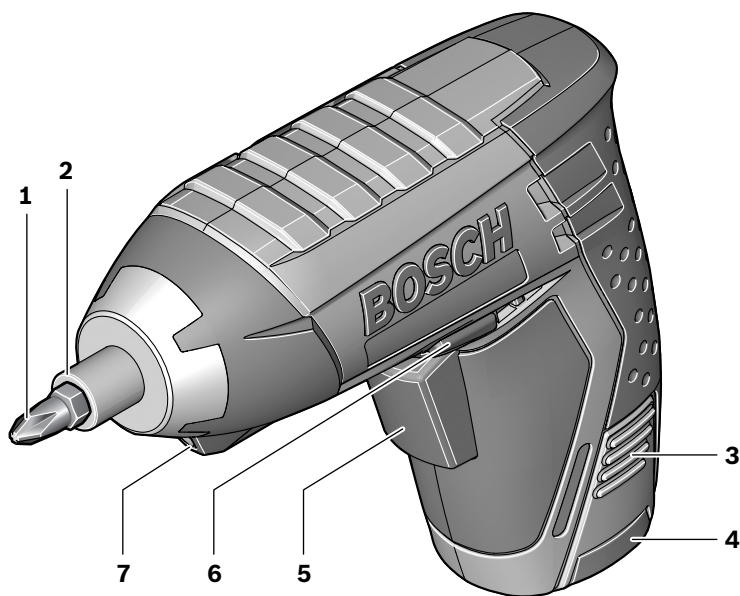




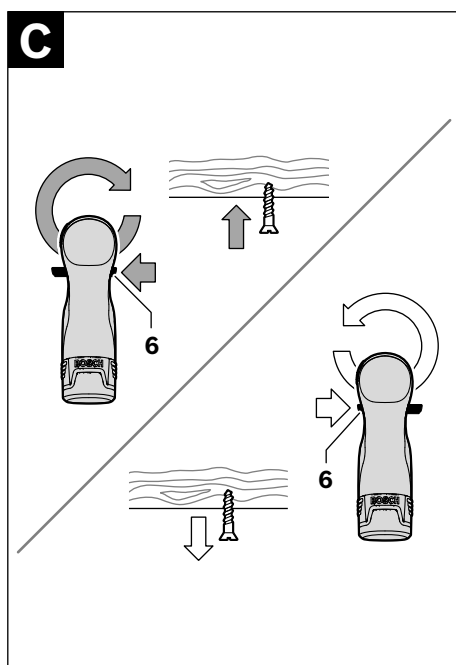
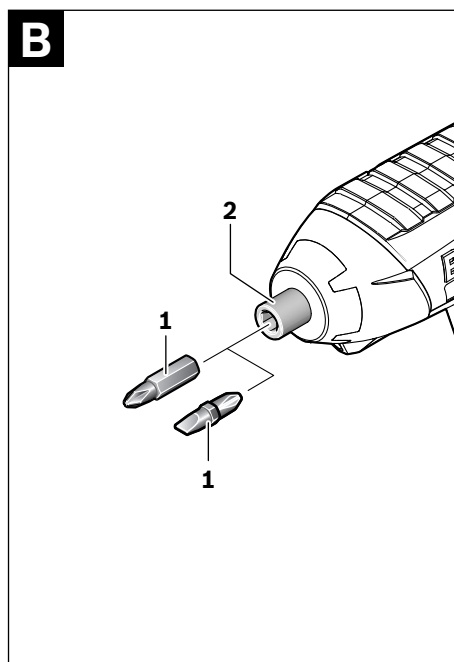
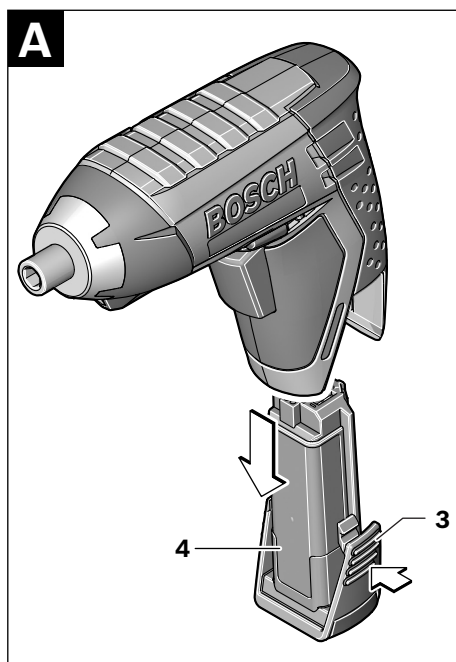
3,6 V (Li-Ion)
2 607 336 242



AL 1115 CV
(3,6 - 10,8 V)
2 607 225 514 (Far East, IN)
2 607 225 516 (HK, MY, SG)



**GSR ProDrive
Professional**



English

Safety Notes

General Power Tool Safety Warnings

⚠ WARNING Read all safety warnings and all instructions. Failure to follow the warnings and instructions may result in electric shock, fire and/or serious injury.

Save all warnings and instructions for future reference. The term "power tool" in the warnings refers to your mains-operated (corded) power tool or battery-operated (cordless) power tool.

Work area safety

- ▶ **Keep work area clean and well lit.** Cluttered or dark areas invite accidents.
- ▶ **Do not operate power tools in explosive atmospheres, such as in the presence of flammable liquids, gases or dust.** Power tools create sparks which may ignite the dust or fumes.
- ▶ **Keep children and bystanders away while operating a power tool.** Distractions can cause you to lose control.

Electrical safety

- ▶ **Power tool plugs must match the outlet. Never modify the plug in any way. Do not use any adapter plugs with earthed (grounded) power tools.** Unmodified plugs and matching outlets will reduce risk of electric shock.
- ▶ **Avoid body contact with earthed or grounded surfaces, such as pipes, radiators, ranges and refrigerators.** There is an increased risk of electric shock if your body is earthed or grounded.
- ▶ **Do not expose power tools to rain or wet conditions.** Water entering a power tool will increase the risk of electric shock.
- ▶ **Do not abuse the cord. Never use the cord for carrying, pulling or unplugging the power tool. Keep cord away from heat, oil, sharp edges and moving parts.** Damaged or entangled cords increase the risk of electric shock.
- ▶ **When operating a power tool outdoors, use an extension cord suitable for outdoor use.** Use of a cord suitable for outdoor use reduces the risk of electric shock.
- ▶ **If operating a power tool in a damp location is unavoidable, use a residual current device (RCD) protected supply.** Use of an RCD reduces the risk of electric shock.

Personal safety

- ▶ **Stay alert, watch what you are doing and use common sense when operating a power tool. Do not use a power tool while you are tired or under the influence of drugs, alcohol or medication.** A moment of inattention while operating power tools may result in serious personal injury.
- ▶ **Use personal protective equipment. Always wear eye protection.** Protective equipment such as dust mask, non-skid safety shoes, hard hat, or hearing protection

used for appropriate conditions will reduce personal injuries.

- ▶ **Prevent unintentional starting. Ensure the switch is in the off-position before connecting to power source and/or battery pack, picking up or carrying the tool.** Carrying power tools with your finger on the switch or energising power tools that have the switch on invites accidents.
- ▶ **Remove any adjusting key or wrench before turning the power tool on.** A wrench or a key left attached to a rotating part of the power tool may result in personal injury.
- ▶ **Do not overreach. Keep proper footing and balance at all times.** This enables better control of the power tool in unexpected situations.
- ▶ **Dress properly. Do not wear loose clothing or jewellery. Keep your hair, clothing and gloves away from moving parts.** Loose clothes, jewellery or long hair can be caught in moving parts.
- ▶ **If devices are provided for the connection of dust extraction and collection facilities, ensure these are connected and properly used.** Use of dust collection can reduce dust-related hazards.

Power tool use and care

- ▶ **Do not force the power tool. Use the correct power tool for your application.** The correct power tool will do the job better and safer at the rate for which it was designed.
- ▶ **Do not use the power tool if the switch does not turn it on and off.** Any power tool that cannot be controlled with the switch is dangerous and must be repaired.
- ▶ **Disconnect the plug from the power source and/or the battery pack from the power tool before making any adjustments, changing accessories, or storing power tools.** Such preventive safety measures reduce the risk of starting the power tool accidentally.
- ▶ **Store idle power tools out of the reach of children and do not allow persons unfamiliar with the power tool or these instructions to operate the power tool.** Power tools are dangerous in the hands of untrained users.
- ▶ **Maintain power tools. Check for misalignment or binding of moving parts, breakage of parts and any other condition that may affect the power tool's operation. If damaged, have the power tool repaired before use.** Many accidents are caused by poorly maintained power tools.
- ▶ **Keep cutting tools sharp and clean.** Properly maintained cutting tools with sharp cutting edges are less likely to bind and are easier to control.
- ▶ **Use the power tool, accessories and tool bits etc. in accordance with these instructions, taking into account the working conditions and the work to be performed.** Use of the power tool for operations different from those intended could result in a hazardous situation.

Battery tool use and care

- ▶ **Recharge only with the charger specified by the manufacturer.** A charger that is suitable for one type of battery

pack may create a risk of fire when used with another battery pack.

- ▶ **Use power tools only with specifically designated battery packs.** Use of any other battery packs may create a risk of injury and fire.
- ▶ **When battery pack is not in use, keep it away from other metal objects, like paper clips, coins, keys, nails, screws or other small metal objects, that can make a connection from one terminal to another.** Shorting the battery terminals together may cause burns or a fire.
- ▶ **Under abusive conditions, liquid may be ejected from the battery; avoid contact. If contact accidentally occurs, flush with water. If liquid contacts eyes, additionally seek medical help.** Liquid ejected from the battery may cause irritation or burns.

Service

- ▶ **Have your power tool serviced by a qualified repair person using only identical replacement parts.** This will ensure that the safety of the power tool is maintained.

Safety Warnings for Screwdrivers

- ▶ **Hold power tool by insulated gripping surfaces, when performing an operation where the fastener may contact hidden wiring.** Fasteners contacting a "live" wire may make exposed metal parts of the power tool "live" and could give the operator an electric shock.
- ▶ **Use auxiliary handle(s), if supplied with the tool.** Loss of control can cause personal injury.
- ▶ **Hold the machine with a firm grip.** High reaction torque can briefly occur while driving in and loosening screws.
- ▶ **Secure the workpiece.** A workpiece clamped with clamping devices or in a vice is held more secure than by hand.
- ▶ **Do not open the battery.** Danger of short-circuiting.



Protect the battery against heat, e. g., against continuous intense sunlight, fire, water, and moisture. Danger of explosion.

- ▶ **In case of damage and improper use of the battery, vapours may be emitted. Ventilate the area and seek medical help in case of complaints.** The vapours can irritate the respiratory system.
- ▶ **Use the battery only in conjunction with your Bosch power tool.** This measure alone protects the battery against dangerous overload.
- ▶ **Use only original Bosch batteries with the voltage listed on the nameplate of your power tool.** When using other batteries, e. g. imitations, reconditioned batteries or other brands, there is danger of injury as well as property damage through exploding batteries.

Product Description and Specifications



Read all safety warnings and all instructions. Failure to follow the warnings and instructions may result in electric shock, fire and/or serious injury.

Intended Use

The machine is intended for driving in and loosening screws.

Product Features

The numbering of the product features refers to the illustration of the machine on the graphics page.

- 1 Screwdriver bit*
- 2 Tool holder
- 6 Battery unlocking button*
- 7 Battery pack*
- 5 On/Off switch
- 6 Rotational direction switch
- 7 "PowerLight"
- 8 Handle (insulated gripping surface)

*Accessories shown or described are not part of the standard delivery scope of the product. A complete overview of accessories can be found in our accessories program.

Technical Data

Cordless Screwdriver	GSR ProDrive Professional	
Article number		3 601 JA2 0..
Rated voltage	V=	3.6
No-load speed	min ⁻¹	0 – 250
Max. torque for hard/soft screw-driving application according to ISO 5393	Nm	7/3
Max. screw dia.	mm	5
Weight according to EPTA-Procedure 01/2003	kg	0.5
Please observe the article number on the type plate of your machine. The trade names of the individual machines may vary.		

Assembly

Battery Charging (see figure A)

- ▶ **Use only the battery chargers listed on the accessories page.** Only these battery chargers are matched to the lithium-ion battery of your power tool.

Note: The battery supplied is partially charged. To ensure full capacity of the battery, completely charge the battery in the battery charger before using your power tool for the first time.

The lithium-ion battery can be charged at any time without reducing its service life. Interrupting the charging procedure does not damage the battery.

8 | English

The lithium-ion battery is protected against deep discharging by the "Electronic Cell Protection (ECP)". When the battery is empty, the machine is switched off by means of a protective circuit: The inserted tool no longer rotates.

- ▶ **Do not continue to press the On/Off switch after the machine has been automatically switched off.** The battery can be damaged.

To remove the battery 7 press the unlocking buttons 6 and pull out the battery downwards. **Do not exert any force.**

The battery is equipped with a NTC temperature control which allows charging only within a temperature range of between 0 °C and 45 °C. A long battery service life is achieved in this manner.

Observe the notes for disposal.

Changing the Tool (see figure B)

- ▶ **Before any work on the machine itself (e. g. maintenance, tool change, etc.) as well as during transport and storage, remove the battery from the power tool.**

There is danger of injury when unintentionally actuating the On/Off switch.

- ▶ **Do not use double-sided screwdriver bits that are longer than 25 mm.**

Insert the screwdriver bit 1 directly into the tool holder 2.

Operation

Starting Operation

Inserting the battery

- ▶ **Use only original Bosch lithium-ion batteries with the voltage listed on the nameplate of your power tool.**

Using other batteries can lead to injuries and pose a fire hazard.

Note: Use of batteries not suitable for the machine can lead to malfunctions or cause damage to the power tool.

Set the rotational direction switch 6 to the centre position in order to avoid unintentional starting. Insert the charged battery 7 into the handle so that it can be felt to engage and faces flush against the handle.

Reversing the rotational direction (see figure C)

The rotational direction switch 6 is used to reverse the rotational direction of the machine. However, this is not possible with the On/Off switch 5 actuated.

Right rotation: For driving in screws, push the rotational direction switch 6 left to the stop.

Left Rotation: For loosening or unscrewing screws, push the rotational direction switch 6 right to the stop.

Switching On and Off

To **start** the machine, press the On/Off switch 5 and keep it pressed.

The power light 7 lights up when the On/Off switch 5 is slightly or completely pressed, and allows the work area to be illuminated when lighting conditions are insufficient.

To **switch off** the machine, release the On/Off switch 5.

Adjusting the Speed

The speed of the switched-on power tool can be variably adjusted, depending on how far the On/Off switch 5 is pressed. Light pressure on the On/Off switch 5 results in a low rotational speed. Further pressure on the switch results in an increase in speed.

Fully automatic spindle locking (Auto-lock)

When the On/Off switch 5 is not pressed, the drill spindle and thus the tool holder are locked.

This enables screws to be screwed in, even when the battery is empty and allows for the machine to be used as a screwdriver.

Temperature Dependent Overload Protection

When using as intended for, the power tool cannot be subject to overload. When the load is too high or the allowable battery temperature range is exceeded, the speed is reduced. The power tool will not run at full speed until reaching the allowable battery temperature.

Protection Against Deep Discharging

The lithium-ion battery is protected against deep discharging by the "Electronic Cell Protection (ECP)". When the battery is empty, the machine is switched off by means of a protective circuit: The inserted tool no longer rotates.

Working Advice

- ▶ **Apply the power tool to the screw only when it is switched off.** Rotating tool inserts can slip off.

Before screwing larger, longer screws into hard materials, it is advisable to predrill a pilot hole with the core diameter of the thread to approx. $\frac{2}{3}$ of the screw length.

Maintenance and Service

Maintenance and Cleaning

- ▶ **Before any work on the machine itself (e. g. maintenance, tool change, etc.) as well as during transport and storage, remove the battery from the power tool.**

There is danger of injury when unintentionally actuating the On/Off switch.

- ▶ **For safe and proper working, always keep the machine and ventilation slots clean.**

When the battery is no longer operative, please refer to an authorised after-sales service agent for Bosch power tools.

If the machine should fail despite the care taken in manufacturing and testing procedures, repair should be carried out by an after-sales service centre for Bosch power tools.

In all correspondence and spare parts order, please always include the 10-digit article number given on the type plate of the machine.

After-sales Service and Application Service

Our after-sales service responds to your questions concerning maintenance and repair of your product as well as spare parts. Exploded views and information on spare parts can also be found under:

www.bosch-pt.com

Bosch's application service team will gladly answer questions concerning our products and their accessories.

People's Republic of China**China Mainland**

Bosch Power Tools (China) Co., Ltd.
567, Bin Kang Road
Bin Jiang District 310052
Hangzhou, P. R. China
Service Hotline: 4008268484
Fax: (0571) 87774502
E-Mail: contact.ptcn@cn.bosch.com
www.bosch-pt.com.cn

HK and Macau Special Administrative Regions

Robert Bosch Hong Kong Co. Ltd.
21st Floor, 625 King's Road
North Point, Hong Kong
Customer Service Hotline: +852 2101 0235
Fax: +852 2590 9762
E-Mail: info@hk.bosch.com
www.bosch-pt.com.hk

Indonesia

PT Robert Bosch
Palma Tower 10th Floor
Jl. RA Kartini II-S Kaveling 6 Sek II
Pondok Pinang, Kebayoran Lama
Jakarta Selatan 12310
Indonesia
Tel.: (021) 3005 5800
Fax: (021) 3005 5801
E-Mail: boschpowertools@id.bosch.com
www.bosch-pt.co.id

Philippines

Robert Bosch, Inc.
28th Floor Fort Legend Towers,
3rd Avenue corner 31st Street,
Fort Bonifacio Global City,
1634 Taguig City, Philippines
Tel.: (02) 8703871
Fax: (02) 8703870
matheus.contiero@ph.bosch.com
www.bosch-pt.com.ph
Bosch Service Center:
9725-27 Kamagong Street
San Antonio Village
Makati City, Philippines
Tel.: (02) 8999091
Fax: (02) 8976432
rosalie.dagdagan@ph.bosch.com

Malaysia

Robert Bosch (S.E.A.) Sdn. Bhd.
No. 8A, Jalan 13/6
G.P.O. Box 10818
46200 Petaling Jaya
Selangor, Malaysia
Tel.: (03) 79663194
Fax: (03) 79583838
cheehoe.on@my.bosch.com
Toll-Free: 1800 880188
www.bosch-pt.com.my

Thailand

Robert Bosch Ltd.
Liberty Square Building
No. 287, 11 Floor
Silom Road, Bangrak
Bangkok 10500
Tel.: 02 6393111
Fax: 02 2384783
Robert Bosch Ltd., P. O. Box 2054
Bangkok 10501, Thailand
www.bosch.co.th
Bosch Service – Training Centre
La Salle Tower Ground Floor Unit No.2
10/11 La Salle Moo 16
Srinakharin Road
Bangkaew, Bang Plee
Samutprakarn 10540
Thailand
Tel.: 02 7587555
Fax: 02 7587525

Singapore

Robert Bosch (SEA) Pte. Ltd.
11 Bishan Street 21
Singapore 573943
Tel.: 6571 2772
Fax: 6350 5315
leongheng.leow@sg.bosch.com
Toll-Free: 1800 3338333
www.bosch-pt.com.sg

Vietnam

Robert Bosch Vietnam Co. Ltd
13th Floor, 194 Golden Building
473 Dien Bien Phu Street
Ward 25, Binh Thanh District
84 Ho Chi Minh City
Vietnam
Tel.: (08) 6258 3690
Fax: (08) 6258 3692
Hotline: (08) 6250 8555
E-Mail: tuvankhachhang-pt@vn.bosch.com
www.bosch-pt.com.vn
www.baohanhbosch-pt.com.vn

10 | English

Australia, New Zealand and Pacific Islands

Robert Bosch Australia Pty. Ltd.
Power Tools
Locked Bag 66
Clayton South VIC 3169
Customer Contact Center
Inside Australia:
Phone: (01300) 307044
Fax: (01300) 307045
Inside New Zealand:
Phone: (0800) 543353
Fax: (0800) 428570
Outside AU and NZ:
Phone: +61 3 95415555
www.bosch-pt.com.au
www.bosch-pt.co.nz

Egypt

Unimar
20 Markaz kadmat
El tagmoa EL Aoul – New Cairo
Tel: +2 02 224 76091 - 95 / + 2 02 224 78072 - 73
Fax: +2 02 224 78075
E-Mail: adelzaki@unimaregypt.com

Ethiopia

Forever plc
Kebele 2,754, BP 4806,
Addis Ababa , Ethiopia
Tel: +251 111 560 600, +251 111 560 600
E-Mail: foreverplc@ethionet.et

Nigeria

C. Woermann Ltd.
P.O. Box 318
6, Badejo Kalesanwo Street
Matori Industrial Estate
Lagos, Nigeria
Tel: +234 17 736 498, +234 17 730 904
E-Mail: d.kornemann@woermann-nigeria.com

Republic of South Africa**Customer service**

Hotline: (011) 6519600

Gauteng – BSC Service Centre

35 Roper Street, New Centre
Johannesburg
Tel.: (011) 4939375
Fax: (011) 4930126
E-Mail: bsctools@icon.co.za

KZN – BSC Service Centre

Unit E, Almar Centre
143 Crompton Street
Pinetown
Tel.: (031) 7012120
Fax: (031) 7012446
E-Mail: bsc.dur@za.bosch.com

Western Cape – BSC Service Centre

Democracy Way, Prosperity Park
Milnerton
Tel.: (021) 5512577
Fax: (021) 5513223
E-Mail: bsc@zsd.co.za

Bosch Headquarters

Midrand, Gauteng
Tel.: (011) 6519600
Fax: (011) 6519880
E-Mail: rbsa-hq.pts@za.bosch.com

Transport

The contained lithium-ion batteries are subject to the Dangerous Goods Legislation requirements. The user can transport the batteries by road without further requirements.

When being transported by third parties (e. g.: air transport or forwarding agency), special requirements on packaging and labelling must be observed. For preparation of the item being shipped, consulting an expert for hazardous material is required.

Dispatch batteries only when the housing is undamaged. Tape or mask off open contacts and pack up the battery in such a manner that it cannot move around in the packaging. Please also observe possibly more detailed national regulations.

Disposal

The machine, rechargeable batteries, accessories and packaging should be sorted for environmental-friendly recycling.

Do not dispose of power tools and batteries/rechargeable batteries into household waste!

Batteries no longer suitable for use can be directly returned at:

Great Britain

Robert Bosch Ltd. (B.S.C.)
P.O. Box 98
Broadwater Park
North Orbital Road
Denham
Uxbridge
UB 9 5HJ

At www.bosch-pt.co.uk you can order spare parts or arrange the collection of a product in need of servicing or repair.

Tel. Service: (0344) 7360109

E-Mail: boschservicecentre@bosch.com

Battery packs/batteries:**Li-ion:**

Please observe the instructions in section "Transport", page 10.

Subject to change without notice.

中文

安全规章

电动工具通用安全警告

警告！ 阅读所有警告和所有说明！不遵照以下警告和说明会导致电击、着火和/或严重伤害。

保存所有警告和说明书以备查阅。

在所有下列的警告中术语“电动工具”指市电驱动（有线）电动工具或电池驱动（无线）电动工具。

工作场地的安全

- ▶ 保持工作场地清洁和明亮。混乱和黑暗的场地会引发事故。
- ▶ 不要在易爆环境，如有易燃液体、气体或粉尘的环境下操作电动工具。电动工具产生的火花会点燃粉尘或气体。
- ▶ 让儿童和旁观者离开后操作电动工具。注意力不集中会使操作者失去对工具的控制。

电气安全

- ▶ 电动工具插头必须与插座相配。绝不能以任何方式改装插头。需接地的电动工具不能使用任何转换插头。未经改装的插头和相配的插座将减少电击危险。
- ▶ 避免人体接触接地表面，如管道、散热片和冰箱。如果你身体接地会增加电击危险。
- ▶ 不得将电动工具暴露在雨中或潮湿环境中。水进入电动工具将增加电击危险。
- ▶ 不得滥用电线。绝不能用电线搬运、拉动电动工具或拔出其插头。使电线远离热源、油、锐边或运动部件。受损或缠绕的软线会增加电击危险。
- ▶ 当在户外使用电动工具时，使用适合户外使用的外接软线。适合户外使用的软线将减少电击危险。
- ▶ 如果在潮湿环境下操作电动工具是不可避免的，应使用剩余电流动作保护器（RCD）。使用 RCD 可减少电击危险。

人身安全

- ▶ 保持警觉，当操作电动工具时关注所从事的操作并保持清醒。当你感到疲倦，或在有药物、酒精或治疗反应时，不要操作电动工具。在操作电动工具时瞬间的疏忽会导致严重人身伤害。
- ▶ 使用个人防护装置。始终佩戴护目镜。安全装置，诸如适当条件下使用防尘面具、防滑安全鞋、安全帽、听力防护等装置能减少人身伤害。
- ▶ 防止意外启动。确保开关在连接电源和/或电池盒、拿起或搬运工具时处于关断位置。手指放在已

接通电源的开关上或开关处于接通时插入插头可能会导致危险。

- ▶ 在电动工具接通之前，拿掉所有调节钥匙或扳手。遗留在电动工具旋转零件上的扳手或钥匙会导致人身伤害。
- ▶ 手不要伸展得太长。时刻注意立足点和身体平衡。这样在意外情况下能很好地控制电动工具。
- ▶ 着装适当。不要穿宽松衣服或佩戴饰品。让衣服、手套和头发远离运动部件。宽松衣服、配饰或长发可能会卷入运动部件中。
- ▶ 如果提供了与排屑、集尘设备连接用的装置，要确保他们连接完好且使用得当。使用这些装置可减少尘屑引起的危险。

电动工具使用和注意事项

- ▶ 不要滥用电动工具，根据用途使用适当的电动工具。选用适当设计的电动工具会使你工作更有效、更安全。
- ▶ 如果开关不能接通或关断工具电源，则不能使用该电动工具。不能用开关来控制的电动工具是危险的且必须进行修理。
- ▶ 在进行任何调节、更换附件或贮存电动工具之前，必须从电源上拔掉插头和/或使电池盒与工具脱离。这种防护性措施将减少工具意外起动的危险。
- ▶ 将闲置不用的电动工具贮存在儿童所及范围之外，并且不要让不熟悉电动工具或对这些说明不了解的人操作电动工具。电动工具在未经培训的用户手中是危险的。
- ▶ 保养电动工具。检查运动件是否调整到位或卡住，检查零件破损情况和影响电动工具运行的其他状况。如有损坏，电动工具应在使用前修理好。许多事故由维护不良的电动工具引发。
- ▶ 保持切削刀具锋利和清洁。保养良好的有锋利切削刃的刀具不易卡住而且容易控制。
- ▶ 按照使用说明书，考虑作业条件和进行的作业来使用电动工具、附件和工具的刀头等。将电动工具用于那些与其用途不符的操作可能会导致危险。

电池式工具使用和注意事项

- ▶ 只用制造商规定的充电器充电。将适用于某种电池盒的充电器用到其他电池盒时会发生着火危险。
- ▶ 只有在配有专用电池盒的情况下才使用电动工具。使用其他电池盒会发生损坏和着火危险。
- ▶ 当电池盒不用时，将它远离其他金属物体，例如回形针、硬币、钥匙、钉子、螺钉或其他小金属物体，以防一端与另一端连接。电池端部短路会引起燃烧或火灾。
- ▶ 在滥用条件下，液体会从电池中溅出，避免接触。如果意外碰到了，用水冲洗。如果液体碰到了眼

12 | 中文

睛，还要寻求医疗帮助。从电池中溅出的液体会发生腐蚀或燃烧。

维修

- ▶ 将你的电动工具送交专业维修人员，使用同样的备件进行修理。这样将确保所维修的电动工具的安全性。

针对起子机的安全规章

- ▶ 在紧固件可能触及暗线进行操作时，要通过绝缘握持面来握持工具。紧固件碰到带电导线会使工具外露的金属零件带电从而使操作者受到电击。
- ▶ 使用随工具提供的辅助手柄。操作失手会引起人身伤害。
- ▶ 务必握紧电动工具。在拧紧和放松螺丝时，可能出现短暂的强大反击。
- ▶ 固定好工件。使用固定装置或老虎钳固定工件，会比用手持握工件更牢固。
- ▶ 切勿打开蓄电池。可能造成短路。



保护蓄电池免受高温（例如长期日照），火焰，水和湿气的侵害。有爆炸的危险。

- ▶ 如果蓄电池损坏了，或者未按照规定使用蓄电池，蓄电池中会散发出有毒蒸汽。工作场所必须保持空气流通，如果身体有任何不适必须马上就医。蓄电池散发的蒸汽会刺激呼吸道。
- ▶ 本蓄电池只能配合博世的电动工具一起使用。这样才能确保蓄电池不会过载。
- ▶ 只能使用博世原厂的蓄电池。电池的电压必须和电动工具铭牌上规定的电压相符。使用其他的蓄电池，例如仿制品、经过改造或其它品牌的蓄电池，有受伤的危险以及因为蓄电池爆炸而造成的财物损失。

产品和功率描述



阅读所有的警告提示和指示。如未确实遵循警告提示和指示，可能导致电击，火灾并且 / 或其他的严重伤害。

按照规定使用机器

本电动工具适用于拧入和拧出螺丝。

插图上的机件

机件的编号和电动工具详解图上的编号一致。

- 1 螺丝批嘴*
- 2 工具接头
- 6 蓄电池的解锁按键*
- 7 蓄电池*
- 5 起停开关
- 6 正逆转开关

7 灯 "PowerLight"

8 手柄（绝缘握柄）

*图表或说明上提到的附件，并不包含在基本的供货范围中。本公司的附件清单中有完整的附件供应项目。

技术数据

充电式起子机	GSR ProDrive Professional	
物品代码	3 601 JA2 0..	
额定电压	伏特 =	3,6
	次 / 分	
无负载转速	0 - 250	
根据 ISO 5393, 硬拧转 / 软拧转的最大扭力	牛頓米	7/3
最大螺丝直径	毫米	5
重量符合 EPTA-Procedure 01/2003	公斤	0,5

请认清电动工具铭牌上的物品代码。电动工具在销售市场上没有统一的商品名称。

安装

为蓄电池充电（参考插图 A）

- ▶ 只能选用附件页上提供的充电器。此充电器是电动工具上的锂离子蓄电池的专用充电器。

指示：蓄电池在交货时只完成部分充电。首度使用电动工具之前，必须先充足蓄电池的电以确保蓄电池的功率。

可以随时为锂离子蓄电池充电，不会缩短电池的使用寿命。如果充电过程突然中断，也不会损坏电池。

本锂离子蓄电池配备了 "Electronic Cell Protection (ECP) (电子充电室保护装置)"，可以防止蓄电池过度放电。电池的电量如果用尽了，保护开关会自动关闭电动工具：安装在机器上的工具会停止转动。

- ▶ 电动工具被关闭之后，切勿继续按住起停开关。可能损坏电池。

先按下解锁按键 6，接著才能够从电动工具中，向下抽出蓄电池 7。切勿强行拉出蓄电池。

蓄电池上安装了 NTC- 温度监控装置。当温度位在摄氏 0 到 45 度间时，才能进行充电。所以能够大大地延长蓄电池的使用寿命。

请注意有关作废处理的规定。

更换工具（参考插图 B）

- ▶ 在电动工具上进行任何维护的工作（例如维修，更换工具等等），以及搬运、保存电动工具之前都必须从机器中取出蓄电池。不小心开动了起停开关可能造成伤害。

- ▶ 不可以使用长度超过 25 毫米的双端螺丝起子头。把螺丝批嘴 1 直接插入工具接头 2 中。

操作

操作机器

安装蓄电池

► **只能使用博世原厂的锂离子蓄电池，电池的电压必须和机器铭牌上提供的电压一致。** 使用其它厂牌的蓄电池，可能导致意外伤害并造成火灾。

指示： 使用了不适合本电动工具的蓄电池，不仅无法发挥电动工具的功能，甚至会损坏电动工具。

把正逆转开关 **6** 调整到中央位置，以防止无意中开动机器。把充足了电的蓄电池 **7** 装入手柄中，蓄电池必须正确地卡在手柄中，而且得和手柄的末端齐头。

改变转向 (参考插图 C)

使用正逆转开关 **6** 可以改变机器的转向。如果按住了起停开关 **5**，则无法改变转向。

正转： 适用于拧入螺丝，把正逆转开关 **6** 向左推到底。

逆转： 适用于拧松或拧出螺丝，把正逆转开关 **6** 向右推到底。

开动 / 关闭

操作 电动工具时先按下电动工具的起停开关 **5**，并持续按着。

轻按或是把起停开关 **5** 按到底时灯 **7** 会亮起。在照明状况不佳的环境中可以借此照亮操作位置。

放开起停开关 **5** 便可以**关闭**电动工具。

调整转速

你可以无级式调整转速，把起停开关 **5** 按得越紧，转速就越快。

轻按起停开关 **5** 机器以低转速运转。逐渐在开关上加压，转速也会跟着提高。

全自动的主轴锁定功能 (Auto-Lock)

如果未按下起停开关 **5**，主轴和工具接头都是被锁定的。

因此，即使蓄电池没电了，也可以使用本电动工具拧入螺丝，换句话说，也可以使用本机器充当螺丝起子。

温控的过载保护装置

按照规定使用时不会造成电动工具过载。过大负荷或超出允许的电池温度范围会导致转速降低。该电动工具在达到了允许的电池温度后才能再次以满功率运行。

防止过度放电装置

本锂离子蓄电池配备了 "Electronic Cell Protection (ECP) (电子充电室保护装置)"，可以防止蓄电池过度放电。电池的电量如果用尽了，保护开关会自动关闭电动工具：安装在机器上的工具会停止转动。

有关操作方式的指点

► **确定电动工具已经关闭了，才可以把电动工具顶在螺丝头上。** 转动中的起子头容易从螺丝头上滑开。

把大的、长的螺丝拧入坚硬的物料中之前，必须根据螺纹的中心直径打预钻孔，预钻孔的深度大概为螺丝长度的 $2/3$ 。

维修和服务

维修和清洁

► **在电动工具上进行任何维护的工作 (例如维修, 更换工具等等), 以及搬运、保存电动工具之前都必须从机器中取出蓄电池。** 不小心开动了起停开关可能造成伤害。

► **电动工具和通风间隙都必须保持清洁, 这样才能够提高工作品质和安全性。**

如果蓄电池故障了，可以向博世电动工具公司授权的客户服务中心求援。

本公司生产的电动工具都经过严密的品质检验，如果机器仍然发生故障，请将机器交给博世电动工具公司授权的顾客服务处修理。

询问和订购备件时，务必提供机器铭牌上标示的 10 位数物品代码。

顾客服务处和顾客咨询中心

本公司顾客服务处负责回答有关本公司产品的修理、维护和备件的问题。以下的网页中有爆炸图和备件的资料：

www.bosch-pt.com

博世顾客咨询团队非常乐意为您解答有关本公司产品及附件的问题。

有关保证，维修或更换零件事宜，请向合格的经销商查询。

中国大陆

博世电动工具 (中国) 有限公司

中国 浙江省 杭州市

滨江区滨康路 567 号

邮政编码：310052

免费服务热线：4008268484

传真：(0571) 87774502

电邮：contact.ptcn@cn.bosch.com

www.bosch-pt.com.cn

罗伯特·博世有限公司

香港北角英皇道 625 号 21 楼

客户服务热线：+852 2101 0235

传真：+852 2590 9762

电邮：info@hk.bosch.com

网站：www.bosch-pt.com.hk

14 | 中文

制造商地址：

Robert Bosch Power Tools GmbH
 罗伯特·博世电动工具有限公司
 70538 Stuttgart / GERMANY
 70538 斯图加特 / 德国

搬运

随着机器一起供货的锂离子蓄电池必须受危险物品法规范。使用者无须另外使用保护包装便可以运送该蓄电池。

但是如果将它交由第三者运送（例如：寄空运或委托运输公司）则要用特殊的包装和标示。此时必须向危险物品专家请教有关寄送危险物品的相关事宜。

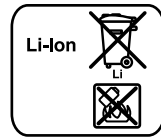
确定蓄电池的外壳未受损后，才可以寄送蓄电池。粘好未加盖的触点并包装好蓄电池，不可以让蓄电池在包装中晃动。

必要时也得注意各国有关的法规。

处理废弃物

必须以符合环保的方式，回收再利用损坏的电动工具、蓄电池、附件和废弃的包装材料。

不可以把电动工具和蓄电池 / 电池丢入一般的家庭垃圾中！

充电电池 / 电池：

锂离子：
 请注意“搬运”段落中的指示，页 14。

保留修改权。**中文****安全規章****電動工具通用安全警告**

警告 閱讀所有警告和所有說明。不遵照以下警告和說明會導致電擊、著火和 / 或嚴重傷害。

保存所有警告和說明書以備查閱。

在所有下列的警告中術語“電動工具”指市電驅動（有線）電動工具或電池驅動（無線）電動工具。

工作場地的安全

▶ **保持工作場地清潔和明亮。** 混亂和黑暗的場地會引發事故。

▶ **不要在易爆環境，如有易燃液體、氣體或粉塵的環境下操作電動工具。** 電動工具產生的火花會點燃粉塵或氣體。

▶ **讓兒童和旁觀者離開後操作電動工具。** 注意力不集中會使你失去對工具的控制。

電氣安全

▶ **電動工具插頭必須與插座相配。絕不能以任何方式改裝插頭。** 需接地的電動工具不能使用任何轉換插頭。未經改裝的插頭和相配的插座將減少電擊危險。

▶ **避免人體接觸接地表面，如管道、散熱片和冰箱。** 如果你身體接地會增加電擊危險。

▶ **不得將電動工具暴露在雨中或潮濕環境中。** 水進入電動工具將增加電擊危險。

▶ **不得濫用電線。絕不能用電線搬運、拉動電動工具或拔出其插頭。使電線遠離熱源、油、銳邊或運動部件。** 受損或纏繞的軟線會增加電擊危險。

▶ **當在戶外使用電動工具時，使用適合戶外使用的外接軟線。** 適合戶外使用的軟線，將減少電擊危險。

▶ **如果在潮濕環境下操作電動工具是不可避免的，應使用剩餘電流動作保護器（RCD）。使用 RCD 可減小電擊危險。**

人身安全

▶ **保持警覺，當操作電動工具時關注所從事的操作並保持清醒。當你感到疲倦，或在有藥物、酒精或治療反應時，不要操作電動工具。** 在操作電動工具時瞬間的疏忽會導致嚴重人身傷害。

▶ **使用個人防護裝置。始終佩戴護目鏡。** 安全裝置，諸如適當條件下使用防塵面具、防滑安全鞋、安全帽、聽力防護等裝置能減少人身傷害。

▶ **防止意外起動。確保開關在連接電源和 / 或電池盒、拿起或搬運工具時處於關斷位置。** 手指放在已接通電源的開關上或開關處於接通時插入插頭可能會導致危險。

▶ **在電動工具接通之前，拿掉所有調節鑰匙或扳手。** 遺留在電動工具旋轉零件上的扳手或鑰匙會導致人身傷害。

▶ **手不要伸展得太長。時刻注意立足點和身體平衡。** 這樣在意外情況下能很好地控制電動工具。

▶ **著裝適當。不要穿寬鬆衣服或佩戴飾品。讓你的衣服、手套和頭髮遠離運動部件。** 寬鬆衣服、佩飾或長髮可能會捲入運動部件中。

▶ **如果提供了與排屑、集塵設備連接用的裝置，要確保他們連接完好且使用得當。** 使用這些裝置可減少塵屑引起的危險。

電動工具使用和注意事項

- ▶ **不要濫用電動工具，根據用途使用適當的電動工具。** 選用適當設計的電動工具會使你工作更有效、更安全。
- ▶ **如果開關不能接通或關斷工具電源，則不能使用該電動工具。** 不能用開關來控制的電動工具是危險的且必須進行修理。
- ▶ **在進行任何調節、更換附件或貯存電動工具之前，必須從電源上拔掉插頭和 / 或使電池盒與工具脫開。** 這種防護性措施將減少工具意外起動的危險。
- ▶ **將閒置不用的電動工具貯存在兒童所及範圍之外，並且不要讓不熟悉電動工具或對這些說明不瞭解的人操作電動工具。** 電動工具在未經培訓的用戶手中是危險的。
- ▶ **保養電動工具。** 檢查運動件是否調整到位或卡住，檢查零件破損情況和影響電動工具運行的其他狀況。如有損壞，電動工具應在使用前修理好。許多事故由維護不良的電動工具引發。
- ▶ **保持切削刀具鋒利和清潔。** 保養良好的有鋒利切削刃的刀具不易卡住而且容易控制。
- ▶ **按照使用說明書，考慮作業條件和進行的作業來使用電動工具、附件和工具的刀頭等。** 將電動工具用於那些與其用途不符的操作可能會導致危險。

電池式工具使用和注意事項

- ▶ **只用製造商規定的充電器充電。** 將適用於某種電池盒的充電器用到其他電池盒時會發生著火危險。
- ▶ **只有在配有專用電池盒的情況下才使用電動工具。** 使用其他電池盒會發生損壞和著火危險。
- ▶ **當電池盒不用時，將它遠離其他金屬物體，例如回形針、硬幣、鑰匙、釘子、螺釘或其他小金屬物體，以防一端與另一端連接。** 電池端部短路會引起燃燒或火災。
- ▶ **在濫用條件下，液體會從電池中濺出，避免接觸。** 如果意外碰到了，用水沖洗。如果液體碰到了眼睛，還要尋求醫療幫助。從電池中濺出的液體會發生腐蝕或燃燒。

檢修

- ▶ **將你的電動工具送交專業維修人員，必須使用同樣的備件進行更換。** 這樣將確保所維修的電動工具的安全性。

針對起子機的安全規章

- ▶ **工作時如果電動起子機可能割斷隱藏的電線，一定要握住絕緣手柄操作機器。** 電動起子機如果接觸了帶電的線路，電動工具上的金屬部件會導電，可能造成操作者觸電。
- ▶ **如果電動工具提供了輔助手柄便要使用它。** 操作時失控可能導致傷害。

- ▶ **務必握緊電動工具。** 在擰緊和放鬆螺絲時，可能出現短暫的強大反擊。
- ▶ **固定好工件。** 使用固定裝置或老虎鉗固定工件，會比用手持握工件更牢固。
- ▶ **切勿打開蓄電池。** 可能造成短路。



保護蓄電池免受高溫（例如長期日照），火焰，水和濕氣的侵害。 有爆炸的危險。

- ▶ **如果蓄電池損壞了，或者未按照規定使用蓄電池，蓄電池中會散發出有毒蒸汽。** 工作場所必須保持空氣流通，如果身體有任何不適必須馬上就醫。蓄電池散發的蒸汽會刺激呼吸道。
- ▶ **本蓄電池只能配合博世的電動工具一起使用。** 這樣才能確保蓄電池不會過載。
- ▶ **只能使用博世原廠的蓄電池。** 電池的電壓必須和電動工具銘牌上規定的電壓相符。使用其他的蓄電池，例如仿制品，經過改造或其它品牌的蓄電池，有受傷的危險以及因為蓄電池爆炸而造成的財物損失。

產品和功率描述

閱讀所有的警告提示和指示。 如未確實遵循警告提示和指示，可能導致電擊、火災並且 / 或其他的嚴重傷害。

按照規定使用機器

本電動工具適用於擰入和擰出螺絲。

插圖上的機件

機件的編號和電動工具詳解圖上的編號一致。

- 1 螺絲批嘴*
- 2 工具接頭
- 6 蓄電池的解鎖按鍵*
- 7 蓄電池*
- 5 起停開關
- 6 正逆轉開關
- 7 燈 "PowerLight"
- 8 手柄（絕緣握柄）

*圖表或說明上提到的附件，並不包含在基本的供貨範圍中。本公司的附件清單中有完整的附件供應項目。

技術性數據

充電式起子機	GSR ProDrive Professional	
物品代碼	3 601 JA2 0..	
額定電壓	伏特 =	3,6

請認清電動工具銘牌上的物品代碼。電動工具在銷售市場上沒有統一的商品名稱。

16 | 中文

充電式起子機	GSR ProDrive Professional	
無負載轉速	次 / 分	0 - 250
根據 ISO 5393, 硬擰轉 / 軟擰轉的最大扭力	牛頓米	7/3
最大螺絲直徑	毫米	5
重量符合 EPTA-Procedure 01/2003	公斤	0,5

請認清電動工具銘牌上的物品代碼。電動工具在銷售市場上沒有統一的商品名稱。

安裝

為蓄電池充電 (參考插圖 A)

▶ **只能選用附件頁上提供的充電器。**此充電器是電動工具上的鋰離子蓄電池的專用充電器。

指示：蓄電池在交貨時只完成部分充電。首度使用電動工具之前，必須先充足蓄電池的電以確保蓄電池的功率。

可以隨時為鋰離子蓄電池充電，不會縮短電池的使用壽命。如果充電過程突然中斷，也不會損壞電池。

本鋰離子蓄電池配備了 "Electronic Cell Protection (ECP) (電子充電室保護裝置)"，可以防止蓄電池過度放電。電池的電量如果用盡了，保護開關會自動關閉電動工具：安裝在機器上的工具會停止轉動。

▶ **電動工具被關閉之後，切勿繼續按住起停開關。**可能損壞電池。

先按下解鎖按鍵 6，接著才能夠從電動工具中，向下抽出蓄電池 7。**切勿強行拉出蓄電池。**

蓄電池上安裝了 NTC-溫度監控裝置。當溫度位在攝氏 0 到 45 度間時，才能進行充電。所以能夠大大地延長蓄電池的使用壽命。

請注意有關作廢處理的規定。

更換工具 (參考插圖 B)

▶ **在電動工具上進行任何維護的工作 (例如維修，更換工具等等)，以及搬運、保存電動工具之前都必須從機器中取出蓄電池。**不小心開動了起停開關可能造成傷害。

▶ **不可以使用長度超過 25 毫米的雙端螺絲起子頭。**把螺絲批嘴 1 直接插入工具接頭 2 中。

操作

操作機器

安裝蓄電池

▶ **只能使用博世原廠的鋰離子蓄電池，電池的電壓必須和機器銘牌上提供的電壓一致。**使用其它廠牌的蓄電池，可能導致意外傷害並造成火災。

指示：使用了不適合本電動工具的蓄電池，不僅無法發揮電動工具的功能，甚至會損壞電動工具。

把正逆轉開關 6 調整到中央位置，以防止無意中開動機器。把充足了電的蓄電池 7 裝入手柄中，蓄電池必須正確地卡在手柄中，而且得和手柄的末端齊頭。

改變轉向 (參考插圖 C)

使用正逆轉開關 6 可以改變機器的轉向。如果按住了起停開關 5，則無法改變轉向。

正轉：適用於擰入螺絲，把正逆轉開關 6 向左推到底。

逆轉：適用於擰松或擰出螺絲，把正逆轉開關 6 向右推到底。

開動 / 關閉

操作電動工具時先按下電動工具的起停開關 5，並持續按著。

輕按或是把起停開關 5 按到底時燈 7 會亮起。在照明狀況不佳的環境中可以借此照亮操作位置。

放開起停開關 5 便可以關閉電動工具。

調整轉速

你可以無級式調整轉速，把起停開關 5 按得越緊，轉速就越快。

輕按起停開關 5 機器以低轉速運轉。逐漸在開關上加壓，轉速也會跟著提高。

全自動的主軸鎖定功能 (Auto-Lock)

如果未按下起停開關 5，主軸和工具接頭都是被鎖定的。

因此，即使蓄電池沒電了，也可以使用本電動工具擰入螺絲，換句話說，也可以使用本機器充當螺絲起子。

溫控的過載保護裝置

只要按照規定使用，電動工具就不可能過載。萬一負載過重或充電電池的溫度已超出允許範圍，電動工具的轉速會變慢。電動工具將持續以低轉速運作，直到充電電池的溫度降至允許範圍，它才會恢復全速運轉。

防止過度放電裝置

本鋰離子蓄電池配備了 "Electronic Cell Protection (ECP) (電子充電室保護裝置)"，可以防止蓄電池過度

放電。電池的電量如果用盡了，保護開關會自動關閉電動工具：安裝在機器上的工具會停止轉動。

有關操作方式的指點

- ▶ **確定電動工具已經關閉了，才可以把電動工具頂在螺絲頭上。**轉動中的起子頭容易從螺絲頭上滑開。把大的、長的螺絲擰入堅硬的物料中之前，必須根據螺紋的中心直徑打預鑽孔，預鑽孔的深度大概為螺絲長度的 $\frac{2}{3}$ 。

維修和服務

維修和清潔

- ▶ **在電動工具上進行任何維護的工作（例如維修，更換工具等等），以及搬運、保存電動工具之前都必須從機器中取出蓄電池。**不小心開動了起停開關可能造成傷害。
- ▶ **電動工具和通風間隙都必須保持清潔，這樣才能夠提高工作品質和安全性。**

如果蓄電池故障了，可以向博世電動工具公司授權的客戶服務中心求援。

本公司生產的電動工具都經過嚴密的品質檢驗，如果機器仍然發生故障，請將機器交給博世電動工具公司授權的顧客服務處修理。

詢問和訂購備件時，務必提供機器銘牌上標示的 10 位數物品代碼。

顧客服務處和顧客諮詢中心

本公司顧客服務處負責回答有關本公司產品的修理、維護和備件的問題。以下的網頁中有爆炸圖和備件的資料：

www.bosch-pt.com

博世顧客諮詢團隊非常樂意為您解答有關本公司產品及附件的問題。

台灣

台灣羅伯特博世股份有限公司

建國北路一段 90 號 6 樓

台北市 10491

電話：(02) 2515 5388

傳真：(02) 2516 1176

www.bosch-pt.com.tw

製造商地址：

Robert Bosch Power Tools GmbH

羅伯特·博世電動工具有限公司

70538 Stuttgart / GERMANY

70538 斯圖加特 / 德國

搬運


隨著機器一起供貨的鋰離子蓄電池必須受危險物品法規範。使用者無須另外使用保護包裝便可以運送該蓄電池。

但是如果將它交由第三者運送（例如：寄空運或委託運輸公司）則要使用特殊的包裝和標示。此時必須向危險物品專家請教有關寄送危險物品的相關事宜。

確定蓄電池的外殼未受損後，才可以寄送蓄電池。粘好未加蓋的觸點並包裝好蓄電池，不可以讓蓄電池在包裝中晃動。

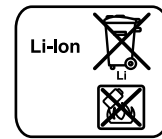
必要時也得注意各國有關的法規。

處理廢棄物

 必須以符合環保的方式，回收再利用損壞的電動工具，蓄電池，附件和廢棄的包裝材料。

不可以把電動工具和蓄電池 / 電池丟入一般的家庭垃圾中！

蓄電池 / 一般電池：




鋰離子：
請注意“搬運”段落中的指示，頁 17。

保留修改權。

한국어

안전 수칙

전동공구용 일반 안전수칙

 **경고 모든 안전수칙과 지시 사항을 상세히 읽고 지켜야 합니다.** 다음의 안전수칙과 지시 사항을 준수하지 않으면 화재 위험이 있으며 감전 혹은 중상을 입을 수 있습니다.

앞으로의 참고를 위해 이 안전수칙과 사용 설명서를 잘 보관하십시오.

다음에서 사용되는 “전동공구” 라는 개념은 전원에 연결하여 사용하는 전동 기기 (전선이 있는) 나 배터리를 사용하는 전동 기기 (전선이 없는) 를 의미합니다.

작업장 안전

▶ **작업장을 항상 깨끗이 하고 조명을 밝게 하십시오.** 작업장 환경이 어수선하거나 어두우면 사고를 초래할 수 있습니다.

▶ **가연성 유체, 가스 또는 분진이 있어 폭발 위험이 있는 환경에서 전동공구를 사용하지 마십시오.** 전동공구는 분진이나 증기에 점화하는 스파크를 일으킬 수 있습니다.

▶ **전동공구를 사용할 때 구경꾼이나 어린이 혹은 다른 사람이 작업장에 접근하지 못하게 하십시오.** 다른 사람이 주의를 산만하게 하면 기기에 대한 통제를 잃기 쉽습니다.

18 | 한국어

전기에 관한 안전

- ▶ **전동공구의 전원 플러그가 전원 콘센트에 잘 맞아야 합니다.** 플러그를 조금이라도 변경시켜서는 안됩니다. 접지된 전동공구를 사용할 때 어댑터 플러그를 사용하지 마십시오. 변형되지 않은 플러그와 잘 맞는 콘센트를 사용하면 감전의 위험을 감소할 수 있습니다.
- ▶ **파이프 관, 라디에이터, 레인지, 냉장고와 같은 접지 표면에 몸이 닿지 않도록 하십시오.** 몸에 닿을 경우 감전될 위험이 높습니다.
- ▶ **전동공구를 비에 맞지 않게 하고 습기 있는 곳에 두지 마십시오.** 전동공구에 물이 들어가면 감전될 위험이 높습니다.
- ▶ **전원 코드를 잡고 전동공구를 운반하거나 걸어 놓아서는 안되며, 콘센트에서 전원 플러그를 뽑을 때 전원 코드를 잡아 당겨서는 절대로 안됩니다.** 전원 코드가 열과 오일에 접촉하는 것을 피하고, 날카로운 모서리나 기기의 가동 부위에 닿지 않도록 주의하십시오. 손상되거나 영긴 전원 코드는 감전을 유발할 수 있습니다.
- ▶ **실외에서 전동공구로 작업할 때는 실외용으로 적당한 연장 전원 코드만을 사용하십시오.** 실외용 연장 전원 코드를 사용하면 감전의 위험을 줄일 수 있습니다.
- ▶ **전동공구를 습기 찬 곳에서 사용해야 할 경우에는 누전 차단기를 사용하십시오.** 누전 차단기를 사용하면 감전 위험을 줄일 수 있습니다.

사용자 안전

- ▶ **신중하게 작업하십시오.** 작업을 할 때 주의를 하며, 전동공구를 사용할 때 경솔하게 행동하지 마십시오. 피로한 상태이거나 약물 복용 및 음주한 후에는 전동공구를 사용하지 마십시오. 전동공구를 사용할 때 잠시라도 주의가 산만해지면 중상을 입을 수 있습니다.
- ▶ **작업자 안전을 위한 장치를 사용하십시오.** 항상 보안경을 착용하십시오. 전동공구의 종류와 사용에 따라 먼지 보호 마스크, 미끄러지지 않는 안전한 신발, 안전모 또는 귀마개 등의 안전한 복장을 하면 상해의 위험을 줄일 수 있습니다.
- ▶ **실수로 기기가 작동되지 않도록 주의하십시오.** 전동공구를 전원에 연결하거나 배터리를 끼우기 전에, 혹은 기기를 들거나 운반하기 전에, 전원 스위치가 꺼져 있는지 다시 확인하십시오. 전동공구를 운반할 때 전원 스위치에 손가락을 대거나 전원 스위치가 켜진 상태에서 전원을 연결하면 사고 위험이 높습니다.
- ▶ **전동공구를 사용하기 전에 조절하는 툴이나 나사 키 등을 빼 놓으십시오.** 회전하는 부위에 있는 툴이나 나사 키로 인해 상처를 입을 수 있습니다.
- ▶ **자신을 과신하지 마십시오.** 불안정한 자세를 피하고 항상 평형을 이룬 상태로 작업하십시오. 안정된 자세와 평형한 상태로 작업해야만이 의외의 상황에서 전동공구를 안전하게 사용할 수 있습니다.

- ▶ **알맞은 작업복을 입으십시오.** 헐렁한 복장을 하거나 장신구를 착용하지 마십시오. 머리카락 또는 장갑이 가동하는 기기 부위에 가까이 닿지 않도록 주의하십시오. 헐렁한 복장, 장신구 혹은 긴 머리는 가동 부위에 말려 사고를 초래할 수 있습니다.
- ▶ **분진 추출장치나 수거장치의 조립이 가능한 경우, 이 장치가 연결되어 있는지, 제대로 작동이 되는지 확인하십시오.** 이러한 분진 추출장치를 사용하면 분진으로 인한 사고 위험을 줄일 수 있습니다.

전동공구의 올바른 사용과 취급

- ▶ **기기를 과부하 상태에서 사용하지 마십시오.** 작업할 때 이에 적당한 전동공구를 사용하십시오. 알맞은 전동공구를 사용하면 지정된 성능 한도 내에서 더 효율적으로 안전하게 작업할 수 있습니다.
- ▶ **전원 스위치가 고장 난 전동공구를 사용하지 마십시오.** 전원 스위치가 작동되지 않는 전동공구는 위험하므로, 반드시 수리를 해야 합니다.
- ▶ **기기에 세팅을 하거나 액세서리 부품을 교환하거나 혹은 기기를 보관할 때, 항상 전원 콘센트에서 플러그를 미리 빼 놓으십시오.** 이러한 조치는 실수로 전동공구가 작동하게 되는 것을 예방합니다.
- ▶ **사용하지 않는 전동공구는 어린이 손이 닿지 않는 곳에 보관하고, 전동공구 사용에 익숙지 않거나 이 사용 설명서를 읽지 않은 사람은 기기를 사용해서는 안 됩니다.** 경험이 없는 사람이 전동공구를 사용하면 위험합니다.
- ▶ **전동공구를 조심스럽게 관리하십시오.** 가동 부위가 하자 없이 정상적인 기능을 하는지, 걸리는 부위가 있는지, 혹은 전동공구의 기능에 중요한 부품이 손상되지 않았는지 확인하십시오. 손상된 기기의 부품은 전동공구를 다시 사용하기 전에 반드시 수리를 맡기십시오. 제대로 관리하지 않은 전동공구의 경우 많은 사고를 유발합니다.
- ▶ **절단 공구를 날카롭고 깨끗하게 관리하십시오.** 날카로운 절단면이 있고 잘 관리된 절단공구는 걸리는 경우가 드물고 조절하기도 쉽습니다.
- ▶ **전동공구, 액세서리, 장착하는 공구 등을 사용할 때, 이 지시 사항과 특별히 기종 별로 나와있는 사용 방법을 준수하십시오.** 이때 작업 조건과 실시하려는 작업 내용을 고려하십시오. 원래 사용 분야가 아닌 다른 작업에 전동공구를 사용할 경우 위험한 상황을 초래할 수 있습니다.

충전 전동공구의 올바른 사용과 취급

- ▶ **배터리를 충전할 때 제조 회사가 추천하는 충전기만을 사용하여 재충전해야 합니다.** 특정 제품의 배터리를 위하여 제조된 충전기에 적합하지 않은 다른 배터리를 충전할 경우 화재 위험이 있습니다.
- ▶ **각 전동공구용으로 나와있는 배터리만을 사용하십시오.** 다른 종류의 배터리를 사용하면 상해를 입거나 화재를 초래할 수 있습니다.
- ▶ **배터리를 사용하지 않을 때는, 각 극 사이에 브리징 상태가 생길 수 있으므로 페이퍼 클립, 동전, 열쇠,**

못, 나사 등 유사한 금속성 물체와 멀리하여 보관하십시오. 배터리 극 사이에 쇼트가 일어나 화상을 입거나 화재를 야기할 수 있습니다.

- ▶ 배터리를 잘못 사용하면 누수가 생길 수 있습니다. 누수가 생긴 배터리에 닿지 않도록 하십시오. 피부에 접하게 되었을 경우 즉시 물로 씻으십시오. 유체가 눈에 닿았을 경우 바로 의사와 상담하십시오. 배터리에서 나오는 유체는 피부에 자극을 주거나 화상을 입힐 수 있습니다.

서비스

- ▶ 전동공구 수리는 반드시 전문 인력에게 맡기고, 수리 정비 시 보쉬 순정 부품만을 사용하십시오. 그렇게 함으로써 기기의 안전성을 오래 유지할 수 있습니다.

스크류 드라이버용 안전 수칙

- ▶ 작업할 때 나사못으로 보이지 않는 전선에 닿을 위험이 있으면 전동공구의 절연된 손잡이 면을 잡으십시오. 나사못이 전류가 흐르는 전선에 접하게 되면 기기의 금속 부위에 전기가 통해 감전될 위험이 있습니다.
- ▶ 보조 손잡이가 전동공구와 함께 공급되는 경우 이를 사용하십시오. 통제를 잃게되면 상해를 입을 수 있습니다.
- ▶ 전동공구를 꼭 잡으십시오. 나사못을 조이거나 풀 때 일시적으로 강한 반동력이 생길 수 있습니다.
- ▶ 작업을 잘 고정하십시오. 고정장치나 기계 바이스에 끼워서 작업하면 손으로 잡는 것보다 더 안전합니다.
- ▶ 배터리를 분해하지 마십시오. 단락이 발생할 위험이 있습니다.



배터리를 태양 광선 등 고열에 장시간 노출되지 않도록 하고 불과 물, 수분이 있는 곳에 두지 마십시오. 폭발할 위험이 있습니다.

- ▶ 배터리가 손상되었거나 잘못 사용될 경우 증기가 발생할 수 있습니다. 작업장을 환기시키고, 필요한 경우 의사와 상담하십시오. 증기로 인해 호흡기가 자극될 수 있습니다.
- ▶ 배터리를 보쉬 전동공구와 함께 사용해야 합니다. 그렇게 해야만 배터리를 위험한 과부하로부터 보호할 수 있습니다.
- ▶ 전동공구의 타입 표시판에 나와있는 전압에 해당하는 보쉬 순정 배터리만을 사용하십시오. 모조품이나 재생 복원 배터리 혹은 타사의 배터리를 사용하면 폭발성이 있는 배터리로 인해 상해를 입을 수 있으며 물적 손해를 볼 수 있습니다.

제품 및 성능 소개



모든 안전수칙과 지시 사항을 상세히 읽고 지켜야 합니다. 다음의 안전수칙과 지시 사항을 준수하지 않으면 화재 위험이 있으며 감전 혹은 중상을 입을 수 있습니다.

규정에 따른 사용

본 전동공구는 나사못을 조이거나 푸는 작업을 하는데 사용해야 합니다.

제품의 주요 명칭

제품의 주요 명칭에 표기되어 있는 번호는 기기 그림이 나와있는 면을 참고하십시오.

- 1 스크류 드라이버 비트*
- 2 톨 홀더
- 6 배터리 해제 버튼*
- 7 배터리*
- 5 전원 스위치
- 6 회전방향 선택 스위치
- 7 "PowerLight" 램프
- 8 손잡이 (절연된 손잡이 부위)

*도면이나 설명서에 나와있는 액세서리는 표준 공급부품에 속하지 않습니다. 전체 액세서리는 저희 액세서리 프로그램을 참고하십시오.

제품 사양

충전 스크류 드라이버	GSR ProDrive Professional	
제품 번호		3 601 JA2
정격 전압	V=	3.6
무부하 속도	rpm	0-250
ISO 5393 에 따른 경질 / 연질 스크류작업 시 최대 토크	Nm	7/3
나사못 직경, 최대	mm	5
EPTA 공정 01/2003 에 따른 중량	kg	0.5

전동공구의 명판에 표시된 제품 번호를 확인하십시오. 각 전동공구의 명칭이 시중에서 상이하게 사용될 수 있습니다.

조립

배터리 충전하기 (그림 A 참조)

- ▶ 액세서리 목록에 기재되어 있는 충전기만을 사용하십시오. 이 충전기만이 귀하의 전동공구에 사용된 리튬이온 배터리에 맞게 되어 있습니다.

참고: 배터리는 일부 충전되어 공급됩니다. 배터리의 성능을 완전하게 보장하기 위해서는 처음 사용하기 전에 배터리를 완전히 충전기에 충전하십시오.

리튬이온 배터리는 항상 충전할 수 있으며, 이로 인해 수명이 단축되지 않습니다. 충전을 하다 중간에 중지해도 배터리가 손상되지 않습니다.

리튬이온 배터리는 전자 셀 보호 "Electronic Cell Protection (ECP)" 기능이 있어 과도한 방전이 되지

20 | 한국어

않습니다. 배터리가 방전되면 안전 스위치가 작동하여 전동공구가 꺼지고 비트가 더 이상 움직이지 않습니다.

▶ **전동공구가 자동으로 작동이 중단된 경우 전원 스위치를 더 계속 누르지 마십시오.** 이로 인해 배터리가 손상될 수 있습니다.

배터리 7을 빼려면 해제 버튼 6을 누른 상태로 배터리를 전동공구 아래쪽으로 잡아 당깁니다. 이때 무리하게 힘을 가하지 마십시오.

배터리에는 NTC 온도 모니터가 장치되어 있어 섭씨 0°C에서 45°C 사이의 온도 범위에서만 충전이 가능합니다. 이로 인해 배터리의 수명이 연장됩니다.

처리에 관련된 지시 사항을 준수하십시오.

액세서리의 교환 (그림 B 참조)

▶ **전동공구에 각종 작업 (보수 정비 및 액세서리 교환 등)을 하거나 전동공구를 운반하거나 보관할 경우 배터리를 전동공구에서 빼십시오.** 실수로 전원 스위치가 작동하게 되면 상해를 입을 위험이 있습니다.

▶ **25 mm 이상의 양면 스크류 드라이버 비트를 사용하지 마십시오.**

스크류 드라이버 비트 1을 직접 툴 홀더 2에 끼우십시오.

작동

기계 시동

배터리 장착하기

▶ **반드시 귀하의 전동공구 타입 표시판에 나와 있는 전압의 보쉬 순정 리튬이온 배터리만을 사용하십시오.** 다른 배터리를 사용하면 상해를 입거나 화재가 발생할 위험이 있습니다.

주의: 귀하의 전동공구에 적당하지 않은 배터리를 사용하면 전동공구에 기능 장애가 생겨 기기가 손상될 수 있습니다.

기기가 실수로 작동하는 것을 방지하기 위해 회전방향 선택 스위치 6를 중간 위치에 두십시오. 충전된 배터리 7를 걸리는 소리가 분명히 날 때까지 손잡이 쪽으로 끼워 손잡이와 일직선이 되도록 하십시오.

회전방향 설정하기 (그림 C 참조)

회전방향 선택 스위치 6로 기기의 회전 방향을 선택할 수 있습니다. 그러나 전원 스위치 5이 눌러진 상태에서는 작동이 불가능합니다.

정회전: 나사못을 조이려면 회전방향 선택 스위치 6을 왼쪽으로 끝까지 밀니다.

역회전: 나사못을 풀거나 빼려면 회전방향 선택 스위치 6를 오른쪽으로 끝까지 밀니다.

전원 스위치 작동

전동공구를 작동하려면 전원 스위치 5를 누르고 누른 상태를 유지하십시오.

전원 스위치 5를 살짝 누르거나 완전히 누르면 램프 7이 켜지므로 조명 상태가 좋지 않은 곳에서도 작업이 가능합니다.

전동공구의 스위치를 끄려면 전원 스위치 5를 놓으면 됩니다.

속도 조절

작동하고 있는 전동공구의 속도를 연속적으로 조절할 수 있는데, 전원 스위치 5를 어느 정도 세게 누르는가에 달려 있습니다.

전원 스위치 5를 살짝 누르면 저속으로 작동합니다. 세게 누르면 속도가 빨라집니다.

전자동 스피들 잠금장치 (Auto-Lock)

전원 스위치 5를 누르지 않은 상태에서는 드릴 스피들과 툴 홀더가 잠겨 있습니다.

이로 인해 방전 상태의 배터리로 나사못을 조이는 것과 전동공구를 스크류 드라이버로 사용하는 것이 가능합니다.

온도에 따른 과부하 방지 기능

규정에 맞춰 사용할 경우 전동공구는 과부하되지 않습니다. 과도한 부하 또는 허용되는 배터리 온도 범위를 벗어난 경우 회전속도가 줄어듭니다. 전동공구는 허용되는 배터리 온도에 다시 도달하면 완벽한 회전속도로 다시 작동합니다.

방전 보호 기능

리튬이온 배터리는 전자 셀 보호 "Electronic Cell Protection (ECP)" 기능이 있어 과도한 방전이 되지 않습니다. 배터리가 방전되면 안전 스위치가 작동하여 전동공구가 꺼지고 비트가 더 이상 움직이지 않습니다.

사용방법

▶ **전동공구의 스위치가 꺼진 상태에서만 나사못에 대십시오.** 회전하는 드릴 비트가 미끄러질 수 있습니다.

경질 작업 소재에 크고 긴 나사못을 끼우기 전에, 나사산의 중심 직경으로 나사못 길이의 약 2/3에 해당하는 초기 드릴작업을 하는 게 좋습니다.

보수 정비 및 서비스

보수 정비 및 유지

▶ **전동공구에 각종 작업 (보수 정비 및 액세서리 교환 등)을 하거나 전동공구를 운반하거나 보관할 경우 배터리를 전동공구에서 빼십시오.** 실수로 전원 스위치가 작동하게 되면 상해를 입을 위험이 있습니다.

▶ **안전하고 올바른 작동을 위하여 전동공구와 전동공구의 통풍구를 항상 깨끗이 하십시오.**

배터리 기능에 문제가 있으면 보쉬 지정 전동공구 서비스 센터에 문의하십시오.

세심한 제작과 검사에도 불구하고 전동공구가 불량한 경우가 있다면 보쉬 고객 지원본부나 가까운 보쉬 지정 전동공구 서비스 센터에 수리를 의뢰하십시오.

문의 사항이 있거나 스페어 부품을 주문할 때 반드시 전동공구의 타입 표시판에 적힌 10 자리의 제품 번호를 알려 주십시오.

보쉬 AS 및 고객 상담

보쉬는 귀하의 제품 및 수리에 관한 문의를 받고 있습니다.

AS 센터 정보 및 제품에 대한 고객 상담은 하기 고객 콜센터 및 이메일 상담을 이용해주시기 바랍니다.

고객 콜센터 : 080-955-0909

이메일 상담 :

Bosch-pt.hotline@kr.bosch.com

Bosch Korea, RBKR
Mechanics and Electronics Ltd.
PT/SAX-ASA
298 Bojeong-dong Giheung-gu
Yongin-si, Gyeonggi-do, 446-913
Republic of Korea
080-955-0909


운반

포함되어 있는 리튬이온 배터리는 위험물 관련 규정을 따라야 합니다. 사용자가 별도의 요구사항 없이 배터리를 직접 도로 상에서 운반할 수 있습니다.

제 3 자를 통해 운반할 경우 (항공 운송이나 운송 회사 등) 포장과 표기에 관한 특별한 요구 사항을 준수해야 합니다. 이 경우 발송 준비를 위해 위험물 전문가와 상담해야 합니다.

표면이 손상되지 않은 배터리만을 사용하십시오. 배터리의 접촉 단자면을 덮어 붙인 상태로 내부에서 움직이지 않도록 배터리를 포장하십시오. 또한 이와 관련한 국내 규정을 준수하십시오.

처리

 전동공구, 배터리, 액세서리 및 포장은 친환경적인 방법으로 재활용할 수 있도록 분류하십시오.

전동공구와 충전용 배터리 / 배터리를 가정용 쓰레기로 처리하지 마십시오!

충전용 배터리 / 배터리 :




Li-Ion:
"운반" 내용에 나와 있는 주의 사항을 준수하십시오 (21 페이지).

위 사항은 사전 예고 없이 변경될 수도 있습니다.

ภาษาไทย

กฎระเบียบเพื่อความปลอดภัย

คำเตือนทั่วไปเพื่อความปลอดภัยในการใช้เครื่องมือไฟฟ้า

 คำเตือน ต้องอ่านคำเตือนเพื่อความปลอดภัยและคำสั่งทั้งหมด การไม่ปฏิบัติตามคำเตือนและคำสั่งอาจเป็นสาเหตุให้ถูกไฟฟ้าดูด เกิดไฟไหม้ และ/หรือได้รับบาดเจ็บอย่างร้ายแรง

เก็บรักษาคำเตือนและคำสั่งทั้งหมดสำหรับเปิดอ่านในภายหลัง

คำว่า "เครื่องมือไฟฟ้า" ในคำเตือนหมายถึง เครื่องมือไฟฟ้าของท่านที่ทำงานด้วยพลังงานไฟฟ้าที่ต่อจากเต้าเสียบ (มีสายไฟฟ้า) และเครื่องมือไฟฟ้าที่ทำงานด้วยพลังงานไฟฟ้าจากแบตเตอรี่ (ไร้สาย)

ความปลอดภัยในสถานที่ทำงาน

- ▶ รักษาสถานที่ทำงานให้สะอาดและมีไฟส่องสว่างดี สถานที่ที่มีมืดหรือรกรุงรนามาซึ่งอุบัติเหตุ
- ▶ อย่าใช้เครื่องมือไฟฟ้าในสภาพแวดล้อมที่เสี่ยงต่อการติดระเบิดได้ เช่น ในที่มีขงเหลว แก๊ซ หรือฝุ่นที่ติดไฟได้ เมื่อใช้เครื่องมือไฟฟ้าจะเกิดประกายไฟซึ่งอาจจุดฝุ่นหรือไอให้ลุกเป็นไฟได้
- ▶ ขณะใช้เครื่องมือไฟฟ้าทำงาน ต้องกั้นเด็กและผู้ยั้งดูให้ออกห่าง การหันเหความสนใจอาจทำให้ท่านขาดการควบคุมเครื่องได้

ความปลอดภัยเกี่ยวกับไฟฟ้า

- ▶ ปลั๊กของเครื่องมือไฟฟ้าต้องมีขนาดพอดีกับเต้าเสียบ อย่าตัดแปลงหรือแก้ไขตัวปลั๊กอย่างเด็ดขาด อย่าต่อปลั๊กต่อใดๆ เข้ากับเครื่องมือไฟฟ้าที่มีสายดิน ปลั๊กที่ไม่ตัดแปลงและเต้าเสียบที่เข้ากันช่วยลดความเสี่ยงจากการถูกไฟฟ้าดูด
- ▶ หลีกเลี่ยงไม่ให้ร่างกายสัมผัสกับพื้นผิวของสิ่งของที่ต่อสายดินไว้ เช่น ท่อ เครื่องทำความร้อน เตา และตู้เย็น จะเสี่ยงอันตรายจากการถูกไฟฟ้าดูดมากขึ้นหากกระแสไฟฟ้าวิ่งผ่านร่างกายของท่านลงดิน
- ▶ อย่าวางเครื่องมือไฟฟ้าตากฝนหรือทิ้งไว้ในที่ชื้นและหากน้ำเข้าในเครื่องมือไฟฟ้า จะเพิ่มความเสี่ยงจากการถูกไฟฟ้าดูด
- ▶ อย่าใช้สายไฟฟ้าอย่างผิดๆ อย่าถือเครื่องมือไฟฟ้าที่สาย อย่าใช้สายแวนเครื่อง หรืออย่าดึงสายไฟฟ้าเพื่อถอดปลั๊กออกจากเต้าเสียบ ถิ่นสายไฟฟ้าออกห่างจากความร้อน น้ำมัน ขอบแหลมคม หรือส่วนของเครื่องที่กำลังเคลื่อนไหว สายไฟฟ้าที่ชำรุดหรือพันกันยุ่งเพิ่มความเสี่ยงจากการถูกไฟฟ้าดูด
- ▶ เมื่อใช้เครื่องมือไฟฟ้าทำงานกลางแจ้ง ให้ใช้สายไฟต่อที่ได้รับการรับรองให้ใช้ต่อในที่กลางแจ้งเท่านั้น การใช้สายไฟต่อที่เหมาะสมสำหรับงานกลางแจ้งช่วยลดอันตรายจากการถูกไฟฟ้าดูด

22 | ภาษาไทย

- ▶ หากไม่สามารถหลีกเลี่ยงการใช้เครื่องมือไฟฟ้าทำงานในสถานที่เปียกชื้นได้ ให้ใช้สวิตช์ตัดวงจรเมื่อเกิดการรั่วไหลของไฟฟ้าจากสายดิน การใช้สวิตช์ตัดวงจรเมื่อเกิดการรั่วไหลของไฟฟ้าจากสายดินช่วยลดความเสี่ยงต่อการถูกไฟฟ้าดูด

ความปลอดภัยของคุณ

- ▶ ท่านต้องอยู่ในสภาพเตรียมพร้อม ระมัดระวังในสิ่งที่กำลังทำอยู่ และมีสติขณะใช้เครื่องมือไฟฟ้าทำงาน อย่าใช้เครื่องมือไฟฟ้าขณะที่ท่านกำลังเหนื่อย หรืออยู่ภายใต้การครอบงำของฤทธิ์ของยาเสพติด แอลกอฮอล์ และยา เมื่อใช้เครื่องมือไฟฟ้าทำงาน ในชั่วนาทีที่ท่านขาดความเอาใจใส่อาจทำให้บุคคลบาดเจ็บอย่างรุนแรงได้
- ▶ ใช้อุปกรณ์ปกป้องร่างกาย สวมแว่นตาป้องกันเสมอ อุปกรณ์ปกป้อง เช่น หน้ากากกันฝุ่น รองเท้ากันลื่น หมวกแข็ง หรือประคบหูกันเสียงดัง ที่เลือกใช้ตามความเหมาะสมกับสภาพการทำงาน สามารถลดอันตรายต่อบุคคลได้
- ▶ ป้องกันการติดเครื่องโดยไม่ตั้งใจ ต้องดูให้แน่ใจว่าสวิตช์อยู่ในตำแหน่งปิดก่อนเสียบปลั๊กไฟเข้าไปในเต้าเสียบ และ/หรือใส่แท่งเบรคเตอร์ ยกขึ้นหรือถือเครื่องมือ การถือเครื่องโดยใช้นิ้วหัวที่สวิตช์ หรือเสียบปลั๊กไฟขณะสวิตช์เปิดอยู่ อาจนำไปสู่อุบัติเหตุที่ร้ายแรงได้
- ▶ เอาเครื่องมือปรับแต่งหรือประแจปากตายออกจากเครื่องมือไฟฟ้าก่อนเปิดสวิตช์ เครื่องมือหรือประแจปากตายที่วางอยู่กับส่วนของเครื่องที่กำลังหมุนจะทำให้บุคคลบาดเจ็บได้
- ▶ หลีกเลี่ยงการตัดท่อน้ำที่ผิดปกติ ตั้งทำยี่ห้อที่มั่นคงและวางน้ำหนักให้สมดุลตลอดเวลา ในลักษณะนี้ท่านสามารถควบคุมเครื่องมือไฟฟ้าในสถานการณ์ที่ไม่คาดคิดได้ดีกว่า
- ▶ ใส่เสื้อผ้าที่เหมาะสม อย่าใส่เสื้อผ้าหลวมหรือสวมเครื่องประดับ เอาผม เสื้อผ้า และถุงมือออกจากส่วนของเครื่องที่กำลังหมุน เสื้อผ้าหลวม เครื่องประดับ และผมยาวอาจเข้าไปติดในส่วนหนึ่งของเครื่องที่กำลังหมุนได้
- ▶ หากต้องต่อเครื่องมือไฟฟ้าเข้ากับเครื่องดูดฝุ่นหรือเครื่องเก็บผง ดูให้แน่ใจว่าการเชื่อมต่อและการใช้งานเป็นไปอย่างถูกต้อง การใช้อุปกรณ์ดูดฝุ่นช่วยลดอันตรายที่เกิดจากฝุ่นได้

การใช้และการดูแลรักษาเครื่องมือไฟฟ้า

- ▶ อย่าใช้เครื่องมือไฟฟ้าอย่างหักโหม ใช้เครื่องมือไฟฟ้าที่ถูกต้องตรงตามลักษณะงาน เครื่องมือไฟฟ้าที่ถูกต้องจะทำงานได้ดีกว่าและปลอดภัยกว่าในระดับสมรรถภาพที่ออกแบบไว้
- ▶ อย่าใช้เครื่องมือไฟฟ้าที่สวิตช์เปิดปิดเสีย เครื่องมือไฟฟ้าที่ไม่สามารถควบคุมการเปิดปิดด้วยสวิตช์ได้ เป็นเครื่องมือไฟฟ้าที่ไม่ปลอดภัยและต้องส่งซ่อมแซม
- ▶ ก่อนปรับแต่งเครื่อง เปลี่ยนอุปกรณ์ประกอบ หรือเก็บเครื่องเข้าที่ ต้องถอดปลั๊กไฟออกจากเต้าเสียบและ/หรือถอดแท่งเบรคเตอร์ออกจากเครื่องมือไฟฟ้า มาตรการป้องกันเพื่อความปลอดภัยนี้ช่วยลดความเสี่ยงจากการติดเครื่องโดยไม่ตั้งใจ

- ▶ เมื่อเลิกใช้งานเครื่องมือไฟฟ้า ให้เก็บเครื่องไว้ในที่เด็กหยิบไม่ถึง และไม่อนุญาตให้บุคคลที่ไม่คุ้นเคยกับเครื่องหรือบุคคลที่ไม่ได้อ่านคำแนะนำนี้ใช้เครื่องมือไฟฟ้าเป็นของอันตรายหากตกอยู่ในมือของผู้ใช้ที่ไม่ได้รับการฝึกฝน
- ▶ เอาใจใส่ดูแลรักษาเครื่อง ตรวจสอบหาส่วนที่เคลื่อนไหวได้ของเครื่องว่าวางอยู่ตรงแนวหรือติดขัดหรือไม่ ตรวจสอบการแตกหักของชิ้นส่วนและสภาพอื่นใดที่อาจมีผลต่อการทำงานของเครื่องมือไฟฟ้า หากชำรุดต้องส่งเครื่องมือไฟฟ้าซ่อมแซมก่อนใช้งาน อุบัติเหตุหลายอย่างเกิดขึ้นเนื่องจากดูแลรักษาเครื่องไม่ดีพอ
- ▶ รักษาเครื่องมือตัดให้คมและสะอาด หากบำรุงรักษาเครื่องมือที่มีขอบตัดแหลมคมอย่างถูกต้อง จะสามารถตัดได้ลื่นไม่ติดขัดและควบคุมได้ง่ายกว่า
- ▶ ใช้เครื่องมือไฟฟ้า อุปกรณ์ประกอบ เครื่องมือ และอุปกรณ์อื่นๆ ให้ตรงตามคำแนะนำนี้ และในลักษณะตามที่เครื่องมือไฟฟ้าประเภทนั้นๆ กำหนดไว้ โดยต้องคำนึงถึงเงื่อนไขการทำงานและงานที่จะทำด้วย การใช้เครื่องมือไฟฟ้าทำงานที่ต่างไปจากวัตถุประสงค์การใช้งานของเครื่อง อาจนำไปสู่สถานการณ์ที่เป็นอันตรายได้

การใช้และการดูแลรักษาเครื่องที่ใช้เบรคเตอร์


- ▶ ชาร์จเบรคเตอร์ด้วยเครื่องชาร์จที่บริษัทผู้ผลิตระบุไว้เท่านั้น เครื่องชาร์จที่เหมาะสมสำหรับชาร์จเบรคเตอร์ประเภทหนึ่ง หากนำไปชาร์จเบรคเตอร์ประเภทอื่น อาจเกิดไฟไหม้ได้
- ▶ ใช้เบรคเตอร์เฉพาะประเภทที่เครื่องมือไฟฟ้ากำหนดให้ใช้ได้ การใช้เบรคเตอร์ประเภทอื่นเสี่ยงต่อการเกิดไฟไหม้หรือบาดเจ็บ
- ▶ เมื่อไม่ใช้เบรคเตอร์ ให้เก็บเบรคเตอร์ไว้ห่างโลหะวัตถุอื่นๆ เช่น คลิปหนีบกระดาษ เหรียญ ญาญแจ ตะปู สกรู หรือโลหะวัตถุขนาดเล็กอื่นๆ ที่สามารถต่อขั้วหนึ่งไปยังอีกขั้วหนึ่งได้ การลัดวงจรของขั้วเบรคเตอร์อาจทำให้เกิดการไหม้หรือฟลุคได้
- ▶ เมื่อใช้เบรคเตอร์ผิดวิธี อาจมีของเหลวไหลออกมาจากเบรคเตอร์ได้ ให้หลีกเลี่ยงการสัมผัสของเหลว หากสัมผัสโดยบังเอิญ ให้ใช้น้ำล้าง หากของเหลวเข้าตาให้ขอความช่วยเหลือจากแพทย์ด้วย ของเหลวที่ไหลออกมาจากเบรคเตอร์อาจทำให้เกิดอาการคันหรือแสบผิวหนังได้

การบริการ

- ▶ ส่งเครื่องมือไฟฟ้าให้ช่างผู้เชี่ยวชาญตรวจสอบและใช้อะไหล่เปลี่ยนของแท้เท่านั้น ในลักษณะนี้ท่านจะแน่ใจได้ว่าเครื่องมือไฟฟ้าอยู่ในสภาพที่ปลอดภัย

คำเตือนเพื่อความปลอดภัยสำหรับไขควง

- ▶ เมื่อทำงานในบริเวณที่สกรูอาจสัมผัสกับสายไฟฟ้าที่ซ่อนอยู่ ต้องจับเครื่องมือไฟฟ้าตรงตามจับที่หุ้มฉนวน หากสกรูสัมผัสกับสายที่มีกระแสไฟฟ้าไหลผ่านจะทำให้ส่วนที่เป็นโลหะของเครื่องมือไฟฟ้าเกิดมีกระแสไฟฟ้าด้วย และส่งผลให้ผู้ที่ใช้เครื่องมือถูกไฟฟ้าดูดได้
- ▶ หากด้ามจับเพิ่มจัดส่งมาพร้อมกับเครื่อง ให้ใช้ด้ามจับเพิ่มร่วมด้วย การสูญเสียการควบคุมอาจทำให้บุคคลบาดเจ็บได้

- ▶ **จับเครื่องมือไฟฟ้าให้แน่น** ขณะขันสกรูเข้าและคลายออก อาจเกิดแรงบิดสะท้อนช่วงสั้นๆ อย่างรุนแรงได้
- ▶ **ยึดชิ้นงานให้แน่น** การยึดชิ้นงานด้วยเครื่องหนีบหรือแท่นจับจะมั่นคงกว่าการยึดด้วยมือ
- ▶ **อย่าเปิดแบตเตอรี่ด้วยตนเอง** อันตรายจากการลัดวงจร
 -  **ปกป้องแบตเตอรี่จากความร้อน ต. ย. เช่น จากแสงแดดจ้าที่ส่องอย่างต่อเนื่อง ไฟ น้ำ และความชื้น** อันตรายจากการระเบิด
- ▶ **ในกรณีที่แบตเตอรี่ชำรุดและใช้แบตเตอรี่อย่างไม่ถูกต้อง** อาจมีไอระเหยออกมา ให้สูดอากาศบริสุทธิ์ และหาแพทย์ในกรณีเจ็บปวด ไอระเหยอาจทำให้ระบบหายใจระคายเคือง
- ▶ **ใช้แบตเตอรี่เฉพาะกับเครื่องมือไฟฟ้า บอช ของท่านเท่านั้น** การกระทำเช่นนั้นที่นั่นจะช่วยปกป้องแบตเตอรี่จากการถูกใช้งานเกินพิกัดซึ่งเป็นอันตราย
- ▶ **ใช้เฉพาะแบตเตอรี่ของแท้ของ บอช ที่มีแรงดันไฟฟ้าที่ระบุไว้บนแผ่นป้ายรุ่นของเครื่องมือไฟฟ้าของท่านเท่านั้น** หากใช้แบตเตอรี่ประเภทอื่น ต. ย. เช่น แบตเตอรี่ที่ลอกเลียนแบบ ช่อมปรัง หรือแบตเตอรี่ยี่ห้ออื่น จะเกิดอันตรายทำให้ร่างกายบาดเจ็บและทรัพย์สินเสียหายจากการระเบิดของแบตเตอรี่ได้

รายละเอียดผลิตภัณฑ์และข้อมูลจำเพาะ



ต้องอ่านคำเตือนเพื่อความปลอดภัยและคำสั่งทั้งหมด การไม่ปฏิบัติตามคำเตือนและคำสั่งอาจเป็นสาเหตุให้ถูกไฟฟ้าดูด เกิดไฟไหม้ และ/หรือได้รับบาดเจ็บอย่างร้ายแรง

ประโยชน์การใช้งานของเครื่อง

เครื่องนี้ใช้สำหรับขันสกรูเข้าและคลายสกรูออก

ส่วนประกอบผลิตภัณฑ์

ลำดับเลขของส่วนประกอบผลิตภัณฑ์อ้างอิงถึงส่วนประกอบของเครื่องที่แสดงในหน้าภาพประกอบ

- 1 ดอกไขควง*
- 2 ตามจับเครื่องมือ
- 6 แบตเตอรี่ลิเธียมไอออน*
- 7 แบตเตอรี่แพ็ค*
- 5 สวิตช์เปิด-ปิด
- 6 สวิตช์เปลี่ยนทิศทางการหมุน
- 7 หลอดไฟ "PowerLight"
- 8 ตามจับ (พื้นผิวจับหุ้มฉนวน)

*อุปกรณ์ประกอบที่แสดงหรือระบุไม่รวมอยู่ในการจัดส่งมาตรฐาน กรุณาดูอุปกรณ์ประกอบทั้งหมดในรายการแสดงอุปกรณ์ประกอบของเรา

ข้อมูลทางเทคนิค

ไขควงไร้สาย	GSR ProDrive Professional	
หมายเลขสินค้า		3 601 JA2 0..
แรงดันไฟฟ้ากำหนด	V=	3,6
ความเร็วรอบเดินดั่วเปล่า	รอบ/นาที	0-250
แรงบิดสูงสุดสำหรับการขันสกรูแบบแห้ง/แบบนุ่ม ตาม ISO 5393	Nm	7/3
Ø-สกรู สูงสุด	มม.	5
น้ำหนักตามระเบียบการ-EPTA-Procedure 01/2003	กก.	0,5
เครื่องแต่ละเครื่องอาจมีชื่อทางการค้าแตกต่างกัน ดังนั้น กรุณาสังเกตหมายเลขสินค้าบนแผ่นป้ายรุ่นของเครื่องของท่าน		

การประกอบ

การชาร์จแบตเตอรี่ (ดูภาพประกอบ A)

- ▶ **ใช้เฉพาะเครื่องชาร์จแบตเตอรี่ตามรายการในหน้าอุปกรณ์ประกอบเท่านั้น** เฉพาะเครื่องชาร์จแบตเตอรี่เหล่านี้เท่านั้นที่เข้าชุดกับแบตเตอรี่ลิเธียม ไอออน ของเครื่องมือไฟฟ้าของท่าน

หมายเหตุ: แบตเตอรี่ที่จัดส่งได้รับการชาร์จไฟไว้บ้างแล้วเพื่อให้แบตเตอรี่ทำงานได้เต็มประสิทธิภาพ ต้องชาร์จแบตเตอรี่ในเครื่องชาร์จแบตเตอรี่ให้เต็มก่อนใช้งานเครื่องมือไฟฟ้าของท่านเป็นครั้งแรก

แบตเตอรี่ลิเธียม ไอออน สามารถชาร์จได้ตลอดเวลาโดยอายุการใช้งานจะไม่ลดลง การชาร์จจังหวะกระบวนชาร์จไม่ทำให้แบตเตอรี่เสียหาย

"Electronic Cell Protection (ECP)" ป้องกันไม่ให้แบตเตอรี่ Li-ion จ่ายกระแสไฟฟ้ออกอีก เมื่อแบตเตอรี่หมดไฟ วงจรป้องกันจะดับสวิตช์เครื่อง เครื่องมือที่ใส่อยู่จะไม่หมุนต่อ

- ▶ **หลังจากเครื่องดับสวิตช์โดยอัตโนมัติ อย่ากดสวิตช์เปิด-ปิดต่อ** แบตเตอรี่อาจเสียหายได้

ถอดแบตเตอรี่ 7 ออกโดยกดแป้นปลดล็อก 6 และเอาแบตเตอรี่ออกโดยดันลงด้านล่าง **อย่าใช้กำลังดัน**

แบตเตอรี่มีระบบควบคุมอุณหภูมิ NTC ประกอบอยู่ด้วย ระบบควบคุมนี้จะอนุญาตให้ชาร์จได้ที่อุณหภูมิระหว่าง 0 ถึง 45 องศาเซลเซียสเท่านั้น ในลักษณะนี้แบตเตอรี่จะมีอายุการใช้งานยืนยาว

อ่านและปฏิบัติตามข้อสังเกตสำหรับการกำจัดขยะ

www.bosch.co.th

ศูนย์บริการซ่อมและฝึกอบรม บ้อช
อาคาร ลาชาลาทาวเวอร์ ชั้น G ห้องเลขที่ 2
บ้านเลขที่ 10/11 หมู่ 16
ถนนศรีนครินทร์
ตำบลบางแก้ว อำเภอบางพลี
จังหวัดสมุทรปราการ 10540
ประเทศไทย
โทรศัพท์ 02 7587555
โทรสาร 02 7587525


การขนส่ง

แบตเตอรี่ลิเทียม ไอออน ที่บรรจุอยู่ภายใต้ข้อกำหนดแห่งกฎหมายสินค้าอันตราย ผู้ใช้สามารถขนส่งแบตเตอรี่โดยทางถนนโดยไม่มีข้อบังคับอื่น

หากขนส่งโดยบุคคลที่สาม (เช่น: การขนส่งทางอากาศ หรือตัวแทนขนส่งสินค้า) ต้องปฏิบัติตามข้อกำหนดพิเศษเกี่ยวกับการบรรจุภัณฑ์และการติดฉลาก ในการจัดเตรียมสิ่งของที่จะจัดส่ง ต้องปรึกษาผู้เชี่ยวชาญสำหรับวัตถุอันตราย

ส่งแบตเตอรี่เมื่อตัวหุ้มไม่ชำรุดเสียหายเท่านั้น ใช้แถบกาวพันปิดหน้าสัมผัสที่เปิดอยู่ และนำแบตเตอรี่ใส่กล่องบรรจุโดยไม่ให้เคลื่อนไปมาในกล่องได้นอกจากนี้กรุณาปฏิบัติตามกฎระเบียบของประเทศซึ่งอาจมีรายละเอียดเพิ่มเติม

การกำจัดขยะ

 เครื่อง แบตเตอรี่ที่นำกลับมาชาร์จใหม่ได้ อุปกรณ์ประกอบ และที่ห่อ ต้องนำไปแยกประเภทวัสดุเพื่อนำกลับมาใช้ใหม่โดยไม่ทำลายสภาพแวดล้อม

อย่าทิ้งเครื่องมือไฟฟ้าและแบตเตอรี่/แบตเตอรี่ที่นำกลับมาชาร์จใหม่ได้ ลงในขยะบ้าน!

แบตเตอรี่แพ็ค/แบตเตอรี่:




Li-ion:
กรุณาปฏิบัติตามคำสั่งในบท
"การขนส่ง" หน้า 25

ขอสงวนสิทธิ์ในการเปลี่ยนแปลงโดยไม่ต้องแจ้งล่วงหน้า

Bahasa Indonesia

Petunjuk-Petunjuk untuk Keselamatan Kerja

Petunjuk-Petunjuk Umum untuk Perkakas Listrik

 **PERHATIKANLAH** Bacalah semua petunjuk-petunjuk untuk keselamatan kerja dan petunjuk-petunjuk untuk penggunaan.

Kesalahan dalam menjalankan petunjuk-petunjuk untuk keselamatan kerja dan petunjuk-petunjuk untuk penggunaan dapat mengakibatkan kontak listrik, kebakaran dan/atau luka-luka yang berat.

Simpanlah semua petunjuk-petunjuk untuk keselamatan kerja dan petunjuk-petunjuk lainnya untuk penggunaan di masa depan.

Kata „perkakas listrik“ yang disebutkan di dalam petunjuk-petunjuk untuk keselamatan kerja adalah sebutan untuk perkakas listrik pakai listrik jaringan (dengan kabel) dan untuk perkakas listrik tenaga baterai (tanpa kabel listrik).

Keselamatan kerja di tempat kerja

- ▶ **Jagalah supaya tempat kerja selalu bersih dan terang.** Tempat kerja yang tidak rapi atau tidak terang dapat mengakibatkan terjadinya kecelakaan.
- ▶ **Janganlah menggunakan perkakas listrik di tempat di mana dapat terjadi ledakan, di mana ada cairan, gas atau debu yang mudah terbakar.** Perkakas listrik dapat memancarkan bunga api yang lalu mengakibatkan debu atau uap terbakar.
- ▶ **Selama menggunakan perkakas listrik, jauhkan anak-anak dan orang-orang lain dari tempat kerja.** Jika konsentrasi terganggu, bisa jadi Anda tidak bisa mengendalikan perkakas listrik tersebut.

Keamanan listrik

- ▶ **Steker dari perkakas listrik harus cocok pada stopkontak. Janganlah sekali-kali merubah steker.** Janganlah menggunakan steker perantara bersama dengan perkakas listrik yang mempunyai hubungan arde. Steker yang tidak dirubah dan stopkontak yang cocok mengurangi bahaya terjadinya kontak listrik.
- ▶ **Jagalah supaya badan Anda tidak bersentuhan dengan permukaan yang mempunyai hubungan arde, misalnya pipa-pipa, radiator pemanas ruangan, kompor listrik dan lemari es.** Ada risiko besar terjadi kontak listrik, jika badan Anda mempunyai hubungan arde.
- ▶ **Jagalah supaya perkakas listrik tidak kena hujan atau menjadi basah.** Air yang masuk ke dalam perkakas listrik menambah risiko terjadinya kontak listrik.
- ▶ **Janganlah menyalah gunakan kabel listrik untuk mengangkat dan menggantungkan perkakas listrik atau untuk menarik steker dari stopkontak. Jagalah supaya kabel listrik tidak kena panas, minyak, pinggir yang tajam atau bagian-bagian perkakas yang bergerak.** Kabel listrik yang rusak atau tersangkut menambah risiko terjadinya kontak listrik.
- ▶ **Jika Anda menggunakan perkakas listrik di luar gedung, gunakanlah hanya kabel sambungan yang juga cocok untuk pemakaian di luar gedung.** Penggunaan kabel sambungan yang cocok untuk pemakaian di luar gedung mengurangi risiko terjadinya kontak listrik.
- ▶ **Jika penggunaan perkakas listrik di tempat yang basah tidak bisa dihindarkan, gunakanlah sakelar pengaman terhadap arus penyimpangan.** Penggunaan sakelar pengaman terhadap arus penyimpangan mengurangi risiko terjadinya kontak listrik.

Keselamatan kerja

- ▶ **Berhati-hatilah selalu, perhatikanlah apa yang Anda kerjakan dan bekerjalah dengan seksama jika menggunakan perkakas listrik. Janganlah mengguna-**

26 | Bahasa Indonesia

kan perkakas listrik, jika Anda capai atau berada di bawah pengaruh narkoba, minuman keras atau obat. Jika Anda sekejap mata saja tidak berhati-hati sewaktu menggunakan perkakas listrik, dapat terjadi luka-luka berat.

- ▶ **Pakailah pakaian dan sarana pelindung dan pakailah selalu kaca mata pelindung.** Dengan memakai pakaian dan sarana pelindung, misalnya kedok anti debu (masker), sepatu tertutup yang tidak licin, helm pelindung atau pemalut telinga sesuai dengan pekerjaan yang dilakukan dengan perkakas listrik, bahaya terjadinya luka-luka dapat dikurangi.
- ▶ **Jagalah supaya perkakas listrik tidak dihidupkan secara tidak disengaja.** Perhatikan bahwa perkakas listrik dalam penyetelan mati, jika steker disambungkan pada pengadaaan listrik dan/atau baterai, jika perkakas listrik diangkat atau dibawa. Jika selama mengangkat perkakas listrik jari Anda berada pada tombol untuk menghidupkan dan mematikan atau perkakas listrik yang dalam penyetelan hidup disambungkan pada listrik, dapat terjadi kecelakaan.
- ▶ **Lepaskan semua perkakas-perkakas penyetelan atau kunci-kunci pas sebelum perkakas listrik dihidupkan.** Perkakas atau kunci yang berada di dalam bagian yang berputar dapat mengakibatkan terjadinya luka-luka.
- ▶ **Aturkan badan sedemikian sehingga Anda bisa bekerja dengan aman. Berdirilah secara mantap dan jagalah selalu keseimbangan.** Dengan demikian Anda bisa mengendalikan perkakas listrik dengan lebih baik, jika terjadi sesuatu dengan tiba-tiba.
- ▶ **Pakailah pakaian yang cocok. Janganlah memakai pakaian yang longgar atau perhiasan. Jagalah supaya rambut, pakaian dan sarung tangan tidak masuk dalam bagian-bagian perkakas yang bergerak.** Pakaian yang longgar, rambut panjang atau perhiasan dapat tersangkut dalam bagian perkakas yang bergerak.
- ▶ **Jika ada kemungkinan untuk memasang sarana penghisapan dan penampungan debu, perhatikan bahwa sarana-sarana ini telah dipasang dan digunakan dengan betul.** Penggunaan sarana penghisapan bisa mengurangi bahaya yang disebabkan debu.

Penggunaan dan penanganan perkakas listrik dengan seksama

- ▶ **Janganlah membebankan perkakas listrik terlalu berat. Gunakan selalu perkakas listrik yang cocok untuk pekerjaan yang dilakukan.** Dengan perkakas listrik yang cocok Anda bekerja lebih baik dan lebih aman dalam batas-batas kemampuan yang ditentukan.
- ▶ **Janganlah menggunakan perkakas listrik yang tombolnya rusak.** Perkakas listrik yang tidak bisa dihidupkan atau dimatikan, berbahaya dan harus direparasikan.
- ▶ **Tariklah steker dari stopkontak dan/atau keluarkan baterai, sebelum Anda melakukan penyetelan pada perkakas listrik, mengganti alat-alat kerja atau sebelum menyimpan perkakas listrik.** Tindakan

keselamatan kerja ini mengurangi bahaya perkakas listrik hidup secara tidak disengaja.

- ▶ **Simpanlah perkakas listrik yang tidak digunakan di luar jangkauan anak-anak. Janganlah mengizinkan orang-orang yang tidak mengenal perkakas listrik ini atau yang belum membaca petunjuk-petunjuk ini, menggunakan perkakas listrik ini.** Perkakas listrik bisa menjadi berbahaya, jika digunakan oleh orang-orang yang tidak mengenalnya.
- ▶ **Rawatlah perkakas listrik dengan seksama. Periksa, apakah bagian-bagian perkakas listrik yang bergerak berfungsi dengan baik dan tidak tersangkut, apakah ada bagian-bagian yang patah atau rusak sedemikian, sehingga dapat mempengaruhi jalannya perkakas listrik. Biarkan bagian-bagian perkakas yang rusak direparasikan, sebelum Anda mulai menggunakan perkakas listrik.** Banyak kecelakaan terjadi karena perkakas listrik tidak dirawat dengan seksama.
- ▶ **Perhatikan supaya alat-alat pemotong selalu tajam dan bersih.** Alat-alat pemotong dengan mata-mata pemotong yang tajam dan dirawat dengan seksama tidak mudah tersangkut dan lebih mudah dikendalikan.
- ▶ **Gunakanlah semua perkakas listrik, aksesor, alat-alat kerja dsb. sesuai dengan petunjuk-petunjuk. Perhatikan syarat-syarat kerja dan macam pekerjaan yang dilakukan.** Penggunaan perkakas listrik untuk macam pekerjaan yang tidak cocok dengan kegunaannya bisa mengakibatkan keadaan yang berbahaya.

Penanganan dan penggunaan perkakas-perkakas pakai baterai dengan seksama

- ▶ **Isikan baterai hanya dalam alat-alat pencas baterai yang dianjurkan oleh pabrik.** Jika suatu alat pencas baterai yang cocok untuk mengisi satu macam baterai tertentu, digunakan untuk mengisi baterai-baterai lainnya, ada bahaya terjadinya kebakaran.
- ▶ **Gunakanlah hanya baterai-baterai yang cocok dan khusus untuk masing-masing perkakas listrik.** Penggunaan baterai-baterai lain dapat mengakibatkan terjadinya luka-luka dan kebakaran.
- ▶ **Jika baterai tidak digunakan, jauhkan baterai dari klip untuk kertas, uang logam, kunci, paku, sekrup atau benda-benda kecil dari logam lainnya, yang dapat menjembatani kontak-kontak.** Korsleting antara kontak-kontak baterai dapat mengakibatkan kebakaran atau api.
- ▶ **Jika baterai tidak digunakan dengan betul, dapat keluar cairan dari baterai. Jagalah supaya Anda tidak terkena pada cairan ini. Jika secara tidak disengaja Anda terkena pada cairan ini, cucikan dengan air. Jika cairan tersebut terkena pada mata, selain tindakan di atas, segera hubungi seorang dokter.** Cairan yang keluar dari baterai dapat mengakibatkan gangguan pada kulit atau kebakaran.

Servis

- ▶ **Biarkan perkakas listrik Anda direparasikan hanya oleh orang-orang ahli yang berpengalaman dan hanya dengan menggunakan suku cadang yang asli.** Dengan

demikian terjamin keselamatan kerja dengan perkakas listrik ini secara berkesinambungan.

Petunjuk-petunjuk untuk keselamatan kerja untuk obeng elektro

- ▶ **Peganglah perkakas listrik hanya pada pegangan yang terisolir, jika Anda melakukan pekerjaan di mana sekrupnya bisa terkena pada saluran listrik yang tidak terlihat.** Sentuhan sekrop pada kabel yang bertegangan dapat mengakibatkan bagian-bagian logam dari perkakas listrik juga bertegangan dan lalu mengakibatkan kontak listrik.
- ▶ **Gunakanlah gagang tambahan-gagang tambahan, jika ini dipasok bersama dengan perkakas listrik.** Perkakas listrik yang tidak bisa dikendalikan bisa mengakibatkan terjadinya luka-luka.
- ▶ **Peganglah perkakas listrik secara kencang.** Pada waktu memutar masuk dan memutar ke luar sekrop bisa terjadi momen yang besar untuk waktu yang singkat.
- ▶ **Usahakan supaya benda yang dikerjakan tidak goyang.** Benda yang ditahan dalam alat pemegang atau bais lebih mantap daripada benda yang dipegang dengan tangan.
- ▶ **Janganlah membuka baterai.** Ada bahaya terjadinya korsleting.



Lindungilah baterai terhadap panas, misalnya juga terhadap penyinaran matahari yang lama, api, air dan kelembaban. Ada bahaya terjadinya ledakan.

- ▶ **Jika baterai rusak dan jika baterai digunakan salah, baterai bisa mengeluarkan uap. Biarkan udara segar mengalir masuk dan jika Anda merasa tidak enak badan, pergilah ke dokter.** Uap tersebut bisa mengganggu saluran pernafasan.
- ▶ **Gunakanlah baterai hanya bersama dengan perkakas listrik merek Bosch.** Hanya dengan demikian baterai dilindungi terhadap pembebanan terlalu berat yang berbahaya.
- ▶ **Gunakanlah hanya baterai asli yang bermerek Bosch dengan tegangan yang tercantum pada label tipe perkakas listrik.** Jika digunakan baterai lainnya, misalnya baterai tiruan, baterai lama yang diperbarui atau baterai yang bermerek lain, bisa terjadi luka-luka serta kerusakan pada benda yang disebabkan oleh baterai yang meledak.

Penjelasan tentang produk dan daya



Bacalah semua petunjuk-petunjuk untuk keselamatan kerja dan petunjuk-petunjuk untuk penggunaan. Kesalahan dalam menjalankan petunjuk-petunjuk untuk keselamatan kerja dan petunjuk-petunjuk untuk penggunaan dapat mengakibatkan kontak listrik, kebakaran dan/atau luka-luka yang berat.

Penggunaan alat

Perkakas listrik ini cocok untuk memutar masuk dan memutar ke luar sekrop dan baut.

Bagian-bagian pada gambar

Nomor-nomor dari bagian-bagian perkakas pada gambar sesuai dengan gambar perkakas listrik pada halaman bergambar.

- 1 Mata obeng bit*
- 2 Pemegang alat kerja
- 6 Tombol pelepas baterai
- 7 Baterai
- 5 Tombol untuk menghidupkan dan mematikan
- 6 Omsakelar arah putaran
- 7 Lampu „PowerLight“
- 8 Pegangan (genggaman terisolir)

*Aksesori yang ada pada gambar atau yang dijelaskan, tidak termasuk pasokan standar. Semua aksesori yang ada bisa Anda lihat dalam program aksesori Bosch.

Data teknis

Obeng elektro pakai baterai	GSR ProDrive Professional	
Nomor model		3 601 JA2 0..
Tegangan nominal	V=	3,6
Kecepatan putaran tanpa beban	min ⁻¹	0 – 250
Momen putar maks. penyekrupan ketat/lunak menurut ISO 5393	Nm	7/3
Ø-sekrop maks.	mm	5
Berat sesuai dengan EPTA-Procedure 01/2003	kg	0,5

Perhatikanlah nomor model perkakas listrik Anda yang tercantum pada label tipe mesin. Nama dagang dari beberapa perkakas listrik bisa berbeda.

Cara memasang

Cara mengisi baterai (lihat gambar A)

- ▶ **Gunakanlah hanya alat-alat pencas baterai yang disebutkan pada halaman aksesori.** Hanya alat-alat pencas baterai ini yang dicocokkan pada baterai ion-Li yang diperlukan bagi perkakas listrik Anda.

Petunjuk: Baterai dipasok dalam keadaan diisi sebagian. Untuk menjamin daya penuh dari baterai, sebelum penggunaannya untuk pertama kalinya, isikanlah baterai sampai penuh sama sekali di dalam alat pencas baterai.

Baterai ion-Li bisa diisi sewaktu-waktu, tanpa mengurangi daya tahannya. Baterai tidak menjadi rusak jika pengisiannya dihentikan untuk sementara waktu.

Baterai ion-Li dilindungi terhadap pengosongan sama sekali oleh „Electronic Cell Protection (ECP)“. Jika baterai kosong perkakas listrik dimatikan oleh pengaman: alat kerja berhenti memutar.

- ▶ **Lepaskan tekanan pada tombol untuk menghidupkan dan mematikan mesin, jika perkakas listrik mati secara otomatis.** Jika tombol ditekan terus, baterai bisa menjadi rusak.

28 | Bahasa Indonesia

Untuk mengeluarkan baterai **7** tekan tombol pelepas baterai **6** dan tariklah baterai ke bawah supaya ke luar dari perkakas listrik. **Janganlah melakukannya dengan paksaan.**

Baterai dilengkapi dengan penjaga suhu NTC yang memungkinkan pengisian baterai hanya pada tingkatan suhu antara 0 °C dan 45 °C. Ini membuat baterai tahan lama.

Perhatikanlah petunjuk-petunjuk untuk membuang.

Mengganti alat kerja (lihat gambar B)

- ▶ **Sebelum melakukan semua pekerjaan pada perkakas listrik (misalnya merawat, mengganti alat kerja dsb.) serta selama transpor atau penyimpanan, keluarkanlah baterai dari perkakas listrik.** Jika tombol untuk menghidupkan dan mematikan digerakkan tanpa sengaja, bisa terjadi luka-luka.
- ▶ **Janganlah menggunakan mata obeng bit timbal balik yang lebih panjang dari 25 mm.**

Pasangkan mata obeng bit **1** langsung pada pemegang alat kerja **2**.

Penggunaan

Cara penggunaan

Memasang baterai

- ▶ **Gunakanlah hanya baterai ion-Li yang asli dari Bosch dengan tegangan yang tercantum pada label tipe perkakas listrik Anda.** Penggunaan baterai-baterai lainnya bisa menyebabkan terjadinya luka-luka dan bahaya kebakaran.

Petunjuk: Penggunaan baterai-baterai yang tidak cocok untuk perkakas listrik Anda bisa membuat perkakas listrik tidak berfungsi sebagaimana mestinya atau perkakas listrik menjadi rusak.

Setelkan omsakelar arah putaran **6** pada kedudukan tengah supaya perkakas listrik tidak dihidupkan tanpa disengaja. Pasangkan baterai **7** yang sudah diisi pada gagang sampai jelas terasa mengancing dan duduk rata pada gagang.

Menyetel arah putaran (lihat gambar C)

Dengan omsakelar arah putaran **6** Anda bisa merubah arah putaran dari perkakas listrik. Akan tetapi ini tidak mungkin jika tombol untuk menghidupkan dan mematikan mesin **5** sedang ditekan.

Arah putaran ke kanan: untuk memutar masuk sekrup, tekan omsakelar arah putaran **6** ke kiri sampai batas.

Arah putaran ke kiri: untuk melepaskan atau memutar ke luar sekrup, tekan omsakelar arah putaran **6** ke kanan sampai batas.

Menghidupkan/mematikan

Untuk **menghidupkan**, tekan tombol untuk menghidupkan dan mematikan **5** dan tahan tekanan.

Lampu **7** menyala jika tombol untuk menghidupkan dan mematikan **5** ditekan ringan atau ditekan sampai batas dan berguna untuk menerangi bidang kerja yang tidak terang jika ruangan gelap.

Untuk **mematikan** perkakas listrik, lepaskan tombol untuk menghidupkan dan matikan **5**.

Menyetel kecepatan putaran

Anda bisa menyetel kecepatan putaran tanpa tingkatan pada perkakas listrik yang hidup, tergantung dari tekanan pada tombol untuk menghidupkan dan mematikan mesin **5**.

Tekanan ringan pada tombol **5** mengakibatkan kecepatan putaran yang rendah. Tekanan yang lebih besar mengakibatkan kecepatan putaran yang lebih tinggi.

Penguncian poros otomatis (Auto-Lock)

Jika tombol untuk menghidupkan dan mematikan mesin **5** tidak ditekan, poros mesin dan dengan demikian pemegang alat kerja terkunci.

Dengan demikian bisa diputar masuk sekrup jika aki kosong atau perkakas listrik bisa digunakan sebagai obeng.

Perlindungan terhadap pembebanan yang terlalu berat yang tergantung suhu

Perkakas listrik tidak akan kelebihan beban apabila digunakan sewajarnya. Kecepatan putaran akan berkurang pada saat kelebihan beban atau temperatur baterai melebihi batas yang diizinkan. Perkakas listrik akan menyala kembali setelah mencapai temperatur baterai yang diinginkan dengan kecepatan putaran penuh.

Perlindungan terhadap pengosongan sama sekali

Baterai ion-Li dilindungi terhadap pengosongan sama sekali oleh „Electronic Cell Protection (ECP)“. Jika baterai kosong perkakas listrik dimatikan oleh pengaman: alat kerja berhenti memutar.

Petunjuk-petunjuk untuk pemakaian

- ▶ **Pasangkan perkakas listrik pada sekrup hanya jika perkakas listrik dalam keadaan mati.** Alat kerja-alat kerja yang berputar bisa meleset.

Sebelum memutar masuk sekrup yang besar dan panjang ke dalam bahan yang keras, buatlah dahulu lubang bor dengan diameter inti dari ulir dengan panjang kira-kira $\frac{2}{3}$ dari panjang sekrup.

Rawatan dan servis

Rawatan dan kebersihan

- ▶ **Sebelum melakukan semua pekerjaan pada perkakas listrik (misalnya merawat, mengganti alat kerja dsb.) serta selama transpor atau penyimpanan, keluarkanlah baterai dari perkakas listrik.** Jika tombol untuk menghidupkan dan mematikan digerakkan tanpa sengaja, bisa terjadi luka-luka.
- ▶ **Perkakas listrik dan lubang ventilasi harus selalu dibersihkan supaya perkakas bisa digunakan dengan baik dan aman.**

Jika baterai tidak berfungsi lagi, hubungilah satu Service Center untuk perkakas listrik Bosch yang resmi.

Jika pada suatu waktu perkakas listrik ini tidak bisa berjalan meskipun telah diproduksi dan diperiksa dengan

seksama, maka reparasinya harus dilakukan oleh Service Center perkakas listrik Bosch yang resmi.

Jika Anda hendak menanyakan sesuatu atau memesan suku cadang, sebutkan selalu nomor model yang terdiri dari 10 angka dan tercantum pada label tipe perkakas.

Layanan pasca beli dan konseling terkait pengoperasian

Layanan pasca beli Bosch menjawab semua pertanyaan Anda terkait reparasi dan maintenance serta suku cadang produk ini. Gambar tiga dimensi dan informasi terkait suku cadang dapat Anda lihat di:

www.bosch-pt.com

Tim konseling pengoperasian dari Bosch dengan senang hati membantu Anda, jika Anda hendak bertanya tentang produk-produk kami dan aksesorisnya.

Indonesia

PT Robert Bosch
Palma Tower 9th & 10th Floor
Jl. Let. Jend. TB Simatupang II S/06
Jakarta Selatan 12960
Indonesia
Tel.: (021) 3005 6565
Fax: (021) 3005 5801
E-Mail: boschpowertools@id.bosch.com
www.bosch-pt.co.id

Transpor

Pada baterai-baterai ion-Li yang digunakan diterapkan persyaratan terkait peraturan-peraturan tentang bahan-bahan yang berbahaya. Baterai-baterai dapat diangkut oleh penggunanya di jalanan tanpa harus memenuhi syarat-syarat tertentu.

Pada pengiriman oleh pihak ketiga (misalnya transportasi dengan pesawat udara atau perusahaan ekspedisi) harus ditaati syarat-syarat terkait kemasan dan pemberian tanda. Dalam hal ini, untuk mempersiapkan transportasi harus diminta dukungan seorang ahli bahan-bahan berbahaya.

Kirimkan baterai hanya jika rumahnya tidak rusak. Kontak-kontak yang terbuka harus ditutupi dengan pita perekat dan kemasan baterai sedemikian, sehingga baterai tidak bergerak-gerak di dalam kemasan.

Taatilah peraturan-peraturan nasional lainnya yang mungkin lebih rinci yang berlaku di negara Anda.

Cara membuang



Semua perkakas listrik, baterai, aksesoris dan kemasan sebaiknya didaur ulang sesuai dengan upaya untuk melindungi lingkungan hidup.

Janganlah membuang perkakas listrik, baterai isi ulang/baterai ke dalam sampah rumah tangga!

Baterai isi ulang/Baterai:



Ion-Li:

Perhatikanlah petunjuk-petunjuk dalam bab „Transpor“, halaman 29.

Perubahan dapat terjadi tanpa pemberitahuan sebelumnya.

Tiếng Việt

Các Nguyên Tắc An Toàn

Cảnh báo tổng quát cách sử dụng an toàn dụng cụ điện cầm tay

⚠ CẢNH BÁO Đọc kỹ mọi cảnh báo an toàn và hướng dẫn. Không tuân thủ mọi cảnh báo và hướng dẫn được liệt kê dưới đây có thể bị điện giật, gây cháy và/hay bị thương tật nghiêm trọng.

Hãy giữ tất cả tài liệu về cảnh báo và hướng dẫn để tham khảo về sau.

Thuật ngữ “dụng cụ điện cầm tay” trong phần cảnh báo là đề cập đến sự sử dụng dụng cụ điện cầm tay của bạn, loại sử dụng điện nguồn (có dây cắm điện) hay vận hành bằng pin (không dây cắm điện).

Khu vực làm việc an toàn

- ▶ **Giữ nơi làm việc sạch và đủ ánh sáng.** Nơi làm việc bừa bộn và tối tăm dễ gây ra tai nạn.
- ▶ **Không vận hành dụng cụ điện cầm tay trong môi trường dễ gây nổ, chẳng hạn như nơi có chất lỏng dễ cháy, khí đốt hay rác.** Dụng cụ điện cầm tay tạo ra các tia lửa nên có thể làm rác bén cháy hay bốc khói.
- ▶ **Không để trẻ em hay người đến xem đứng gần khi vận hành dụng cụ điện cầm tay.** Sự phân tâm có thể gây ra sự mất điều khiển.

An toàn về điện

- ▶ **Phích cắm của dụng cụ điện cầm tay phải thích hợp với ổ cắm.** Không bao giờ được cải biến lại phích cắm dưới mọi hình thức. Không được sử dụng phích tiếp hợp nối tiếp đất (dây mát). Phích cắm nguyên bản và ổ cắm đúng loại sẽ làm giảm nguy cơ bị điện giật.
- ▶ **Tránh không để thân thể tiếp xúc với đất hay các vật có bề mặt tiếp đất như đường ống, lò sưởi, hàng rào và tủ lạnh.** Có nhiều nguy cơ bị điện giật hơn nếu cơ thể bạn bị tiếp hay nối đất.
- ▶ **Không được để dụng cụ điện cầm tay ngoài mưa hay ở tình trạng ẩm ướt.** Nước vào máy sẽ làm tăng nguy cơ bị điện giật.

30 | Tiếng Việt

- ▶ **Không được lạm dụng dây dẫn điện. Không bao giờ được nắm dây dẫn để xách, kéo hay rút phích cắm dụng cụ điện cầm tay. Không để dây gần nơi có nhiệt độ cao, dầu nhớt, vật nhọn bén hay bộ phận chuyển động.** Làm hỏng hay cuộn rối dây dẫn làm tăng nguy cơ bị điện giật.
- ▶ **Khi sử dụng dụng cụ điện cầm tay ngoài trời, dùng dây nối thích hợp cho việc sử dụng ngoài trời.** Sử dụng dây nối thích hợp cho việc sử dụng ngoài trời làm giảm nguy cơ bị điện giật.
- ▶ **Nếu việc sử dụng dụng cụ điện cầm tay ở nơi ẩm ướt là không thể tránh được, dùng thiết bị ngắt mạch tự động (RCD) bảo vệ nguồn.** Sử dụng thiết bị ngắt mạch tự động RCD làm giảm nguy cơ bị điện giật.

An toàn cá nhân

- ▶ **Hãy tỉnh táo, biết rõ mình đang làm gì và hãy sử dụng ý thức khi vận hành dụng cụ điện cầm tay. Không sử dụng dụng cụ điện cầm tay khi đang mệt mỏi hay đang bị tác động do chất gây nghiện, rượu hay dược phẩm gây ra.** Một thoáng mất tập trung khi đang vận hành dụng cụ điện cầm tay có thể gây thương tích nghiêm trọng cho bản thân.
- ▶ **Sử dụng trang bị bảo hộ cá nhân. Luôn luôn đeo kính bảo vệ mắt.** Trang bị bảo hộ như khẩu trang, giày chống trượt, nón bảo hộ, hay dụng cụ bảo vệ tai khi được sử dụng đúng nơi đúng chỗ sẽ làm giảm nguy cơ thương tật cho bản thân.
- ▶ **Phòng tránh máy khởi động bất ngờ. Bảo đảm công tắc máy ở vị trí tắt trước khi cắm vào nguồn điện và/hay lắp pin vào, khi nhắc máy lên hay khi mang xách máy.** Ngáng ngón tay vào công tắc máy để xách hay kích hoạt dụng cụ điện cầm tay khi công tắc ở vị trí mở dễ dẫn đến tai nạn.
- ▶ **Lấy mọi chìa hay khóa điều chỉnh ra trước khi mở điện dụng cụ điện cầm tay.** Khóa hay chìa còn gắn dính vào bộ phận quay của dụng cụ điện cầm tay có thể gây thương tích cho bản thân.
- ▶ **Không rướn người. Luôn luôn giữ tư thế đứng thích hợp và thăng bằng.** Điều này tạo cho việc điều khiển dụng cụ điện cầm tay tốt hơn trong mọi tình huống bất ngờ.
- ▶ **Trang phục thích hợp. Không mặc quần áo rộng thùng thình hay mang trang sức. Giữ tóc, quần áo và găng tay xa khỏi các bộ phận chuyển động.** Quần áo rộng thùng thình, đồ trang sức hay tóc dài có thể bị cuốn vào các bộ phận chuyển động.
- ▶ **Nếu có các thiết bị đi kèm để nối máy hút bụi và các phụ kiện khác, bảo đảm các thiết bị này được nối và sử dụng tốt.** Việc sử dụng các thiết

bị gom hút bụi có thể làm giảm các độc hại liên quan đến bụi gây ra.

Sử dụng và bảo dưỡng dụng cụ điện cầm tay

- ▶ **Không được ép máy. Sử dụng dụng cụ điện cầm tay đúng loại theo đúng ứng dụng của bạn.** Dụng cụ điện cầm tay đúng chức năng sẽ làm việc tốt và an toàn hơn theo đúng tiến độ mà máy được thiết kế.
 - ▶ **Không sử dụng dụng cụ điện cầm tay nếu như công tắc không tắt và mở được.** Bất kỳ dụng cụ điện cầm tay nào mà không thể điều khiển được bằng công tắc là nguy hiểm và phải được sửa chữa.
 - ▶ **Rút phích cắm ra khỏi nguồn điện và/hay pin ra khỏi dụng cụ điện cầm tay trước khi tiến hành bất kỳ điều chỉnh nào, thay phụ kiện, hay cắt dụng cụ điện cầm tay.** Các biện pháp ngăn ngừa như vậy làm giảm nguy cơ dụng cụ điện cầm tay khởi động bất ngờ.
 - ▶ **Cất giữ dụng cụ điện cầm tay không dùng tới nơi trẻ em không lấy được và không cho người chưa từng biết dụng cụ điện cầm tay hay các hướng dẫn này sử dụng dụng cụ điện cầm tay.** Dụng cụ điện cầm tay nguy hiểm khi ở trong tay người chưa được chỉ cách sử dụng.
 - ▶ **Bảo quản dụng cụ điện cầm tay. Kiểm tra xem các bộ phận chuyển động có bị sai lệch hay kẹt, các bộ phận bị rạn nứt và các tình trạng khác có thể ảnh hưởng đến sự vận hành của máy. Nếu bị hư hỏng, phải sửa chữa máy trước khi sử dụng.** Nhiều tai nạn xảy ra do bảo quản dụng cụ điện cầm tay tồi.
 - ▶ **Giữ các dụng cụ cất bên và sạch.** Bảo quản đúng cách các dụng cụ cất có cạnh cắt bén làm giảm khả năng bị kẹt và dễ điều khiển hơn.
 - ▶ **Sử dụng dụng cụ điện cầm tay, phụ kiện, đầu cài v. v., đúng theo các chỉ dẫn này, hãy lưu ý đến điều kiện làm việc và công việc phải thực hiện.** Sử dụng dụng cụ điện cầm tay khác với mục đích thiết kế có thể tạo nên tình huống nguy hiểm.
- Sử dụng và bảo quản dụng cụ dùng pin**
- ▶ **Chỉ được sạc pin lại với bộ nạp điện do nhà sản xuất chỉ định.** Bộ nạp điện thích hợp cho một loại pin có thể gây nguy cơ cháy khi sử dụng cho một loại pin khác.
 - ▶ **Chỉ sử dụng dụng cụ điện cầm tay với loại pin được thiết kế đặt biệt dành riêng cho máy.** Sử dụng bất cứ loại pin khác có thể dẫn đến thương tật hay cháy.
 - ▶ **Khi không sử dụng pin, để cách xa các vật bằng kim loại như kẹp giấy, tiền xu, chìa khoá, đinh, ốc vít hay các đồ vật kim loại nhỏ khác, thứ có thể tạo sự nối tiếp từ một đầu cực với**

một đầu cực khác. Sự chập mạch của các đầu cực với nhau có thể gây bỏng hay cháy.

- ▶ **Bảo quản ở tình trạng tối, dung dịch từ pin có thể tứa ra; tránh tiếp xúc. Nếu vô tình chạm phải, hãy xối nước để rửa. Nếu dung dịch vào mắt, cần thêm sự hỗ trợ của y tế.** Dung dịch tiết ra từ pin có thể gây ngứa hay bỏng.

Bảo dưỡng

- ▶ **Đưa dụng cụ điện cầm tay của bạn đến thợ chuyên môn để bảo dưỡng, chỉ sử dụng phụ tùng đúng chủng loại để thay.** Điều này sẽ đảm bảo sự an toàn của máy được giữ nguyên.

Cảnh Báo An Toàn cho Máy Bắt Vít

- ▶ **Nắm giữ dụng cụ điện nơi phần nắm cách điện khi thực hiện việc gia công nơi chi tiết lắp bắt có thể chạm vào dây điện không nhìn thấy được hay chính dây của máy.** Chi tiết lắp bắt chạm dây "có điện" có thể làm cho các bộ phận kim loại không được bao bọc của dụng cụ điện "có điện" và có khả năng gây cho người sử dụng máy bị điện giật.
- ▶ **Hãy sử dụng tay nắm phụ, nếu như được giao kèm với dụng cụ.** Sự mất điều khiển có thể gây thương tích cho bản thân.
- ▶ **Giữ máy bằng cách nắm thật chặt.** Lực vận ngược mạnh có thể xảy ra chớp nhoáng trong lúc bắt vít vào hay vặn ra.
- ▶ **Kẹp chặt vật gia công.** Vật gia công được kẹp bằng một thiết bị kẹp hay bằng ê-tô thì vững chắc hơn giữ bằng tay.
- ▶ **Không được tháo pin ra.** Nguy cơ bị chập mạch.



Bảo vệ pin không để bị làm nóng, ví dụ, chống để lâu dài dưới ánh nắng gay gắt, lửa, nước, và sự ẩm ướt. Sự nguy hiểm của nổ.

- ▶ **Trong trường hợp pin bị hỏng hay sử dụng sai cách, hơi nước có thể bốc ra. Hãy làm cho thông thoáng khí và trong trường hợp bị đau phải nhờ y tế chữa trị.** Hơi nước có thể gây ngứa hệ hô hấp.
- ▶ **Chỉ sử dụng pin cùng chung với dụng cụ điện cầm tay Bosch của bạn.** Chỉ riêng với cách này đã bảo vệ cho pin không bị nguy hiểm do quá tải.
- ▶ **Chỉ sử dụng pin chính hãng Bosch có điện thế được ghi trên nhãn máy dụng cụ điện của bạn.** Khi sử dụng các loại pin khác, vd. hàng nhái, pin tân trang hoặc pin của hãng khác, có nguy cơ bị thương tích do pin gây ra cũng như làm hư hỏng tài sản do việc pin bị nổ.

Mô Tả Sản Phẩm và Đặc Tính Kỹ Thuật



Đọc kỹ mọi cảnh báo an toàn và mọi hướng dẫn. Không tuân thủ mọi cảnh báo và hướng dẫn được liệt kê dưới đây có thể bị điện giật, gây cháy và/hay bị thương tật nghiêm trọng.

Dành sử dụng cho

Máy được thiết kế để tháo hoặc bắt vít.

Biểu trưng của sản phẩm

Sự đánh số các biểu trưng của sản phẩm là để tham khảo hình minh họa của máy trên trang hình ảnh.

- 1 Đầu vít *
- 2 Phần lắp dụng cụ
- 6 Nút tháo pin *
- 7 Pin *
- 5 Công tắc Tắt/Mở
- 6 Gạc vận chuyển đổi chiều quay
- 7 "PowerLight" (Đèn Chiếu Sáng)
- 8 Tay nắm (bề mặt nắm cách điện)

* Phụ tùng được trình bày hay mô tả không phải là một phần của tiêu chuẩn hàng hóa được giao kèm theo sản phẩm. Bạn có thể tham khảo tổng thể các loại phụ tùng, phụ kiện trong chương trình phụ tùng của chúng tôi.

Thông số kỹ thuật

Máy Vặn Vít Pin	GSR ProDrive Professional	
Mã số máy		3 601 JA2 0..
Điện thế danh định	V=	3,6
Tốc độ không tải	v/p	0-250
Lực vận tối đa ứng dụng cho việc bắt vặn vít vào vật liệu cứng/mềm theo ISO 5393	Nm	7/3
Đường kính vít tối đa	mm	5
Trọng lượng theo Qui trình EPTA-Procedure 01/2003 (chuẩn EPTA 01/2003)	kg	0,5

Xin vui lòng xem kỹ mã số máy trên nhãn máy của bạn. Tên thương mại của từng máy có thể khác nhau.

Sự lắp vào

Nạp điện pin (xem hình A)

- ▶ **Chỉ nên sử dụng các bộ nạp điện pin được liệt kê trong trang phụ kiện.** Chỉ có các bộ nạp điện pin này mới thích hợp với pin lithium ion dùng cho dụng cụ điện cầm tay của bạn.

Ghi Chú: Pin giao kèm máy chỉ được nạp điện một phần. Để đảm bảo pin có đầy đủ điện dung, nạp điện

32 | Tiếng Việt

hoàn toàn cho pin bằng bộ nạp điện pin trước khi bạn sử dụng dụng cụ điện cho lần đầu tiên.

Pin Lithium ion có thể nạp điện bất cứ lúc nào mà vẫn không làm giảm tuổi thọ của pin. Sự làm gián đoạn qui trình nạp điện không làm cho pin bị hư hỏng.

Pin Li-on được bảo vệ ngăn sự phóng điện quá lớn nhờ vào "Bộ phận Điện tử Bảo vệ Pin (Electronic Cell Protection = ECP)". Khi pin hết điện, máy tự tắt nhờ vào thiết bị bảo vệ mạch: Dụng cụ đang lắp trong máy dừng quay hẳn.

► **Không được tiếp tục nhấn vào công tắc Tắt/Mở sau khi máy đã tự động tắt.** Có thể làm cho pin hỏng.

Để lấy pin ra **7** nhấn nút nhà **6** và kéo hết pin xuống.

Không dùng sức.

Pin được trang bị bộ phận kiểm soát nhiệt độ NTC, thiết bị này chỉ cho phép nạp điện trong phạm vi nhiệt độ cho phép ở giữa 0 °C và 45 °C. Tuổi thọ của pin nhờ đó mà được nâng cao.

Tuân thủ các chú thích dành cho việc thải bỏ.

Thay Dụng Cụ (xem hình B)

► **Trước khi tiến hành bất cứ công việc gì với máy (vd., bảo dưỡng, thay dụng cụ v.v..) cũng như khi vận chuyển hay lưu kho, tháo pin ra khỏi dụng cụ điện.** Có nguy cơ gây thương tích khi vô tình làm kích hoạt công tắc Tắt/Mở.

► **Không được sử dụng tua-vít hai đầu có lưỡi dài hơn 25 mm.**

Tra vít đầu gài **1** trực tiếp vào trong phần lắp dụng cụ **2**.

Vận Hành

Bắt Đầu Vận Hành

Lắp Pin Vào

► **Chỉ sử dụng pin Li-ion của chính hãng Bosch với điện thế được ghi trên nhãn máy của dụng cụ điện cầm tay của bạn.** Sử dụng các loại pin khác có thể dẫn đến thương tật và gây ra cháy.

Ghi Chú: Việc sử dụng pin không thích hợp với máy có thể dẫn đến việc máy bị trục trặc hay làm cho dụng cụ điện cầm tay bị hư hỏng.

Chỉnh đặt gạt chỉ chiều quay **6** về vị trí chính giữa để tránh sự vô ý làm máy khởi động. Lắp pin đã nạp điện vào **7** bên trong tay nắm sao cho cảm nhận được sự gài vào khớp và nằm gọn phẳng trong tay nắm.

Đảo Chiều Quay (xem hình C)

Gạt chuyển đổi chiều quay **6** được sử dụng để đảo lại chiều quay của máy. Tuy nhiên, việc này không

thể thực hiện được cùng lúc với công tắc Tắt/Mở **5** đang hoạt động.

Chiều quay phải: Để bắt vít vào, đẩy gạt chọn chiều quay **6** hết về bên trái.

Chiều Quay Trái: Để nới lỏng hay tháo vít, đẩy gạt chỉ chiều quay **6** hết về phải.

Bật Mở và Tắt

Để khởi **động máy**, nhấn công tắc Tắt/Mở **5** và nhấn giữ xuống.

Ánh sáng **7** sáng lên khi công tắc Tắt/Mở **5** được bóp nhẹ hay bóp hết vào cho phép rọi sáng được phạm vi gia công khi tình trạng ánh sáng không được tốt.

Để tắt máy, **nhả** công tắc Tắt/Mở **5** ra.

Điều chỉnh tốc độ

Tốc độ của dụng cụ điện cầm tay đang hoạt động có thể điều chỉnh thay đổi, tùy theo độ nông sâu của công tắc Tắt/Mở **5** được bóp vào.

Lực nhấn nhẹ lên công tắc Tắt/Mở **5** tạo ra tốc độ quay thấp. Tăng lực nhấn lên công tắc làm tăng tốc độ quay.

Khóa tự động toàn bộ trục (Khóa tự động)

Khi công tắc Tắt/Mở **5** không bị nhấn vào, trục khoan không quay nhờ vậy nên phần gắn dụng cụ được khóa chết lại.

Do vậy nên vẫn có thể bắt vít vào, ngay cả khi điện pin đã cạn và cho phép máy được sử dụng như là một tua-vít.

Bảo Vệ Chống Quá Tải Dựa Trên Nhiệt Độ

Việc sử dụng đúng mục đích giúp dụng cụ điện không bị quá tải. Tốc độ sẽ giảm khi tải quá mạnh hoặc bỏ ngoài phạm vi nhiệt độ pin cho phép. Dụng cụ điện chỉ chạy với tốc độ tối đa sau khi đạt nhiệt độ pin cho phép.

Bảo Vệ Chống Sự Phóng Điện Quá Nhiều

Pin Li-on được bảo vệ ngăn sự phóng điện quá lớn nhờ vào "Bộ phận Điện tử Bảo vệ Pin (Electronic Cell Protection = ECP)". Khi pin hết điện, máy tự tắt nhờ vào thiết bị bảo vệ mạch: Dụng cụ đang lắp trong máy dừng quay hẳn.

Hướng Dẫn Sử Dụng

► **Chỉ được đặt dụng cụ điện cầm tay vào vít khi đã tắt máy.** Dụng cụ đang quay có thể bị tuột ra.

Trước khi bắt một vít lớn, dài hơn bình thường vào vật liệu cứng, nên khoan trước một lỗ mỗi có cùng đường kính răng vít vào sâu vào khoảng $\frac{2}{3}$ của chiều dài vít.

Bảo Dưỡng và Bảo Quản

Bảo Dưỡng Và Làm Sạch

- ▶ **Trước khi tiến hành bất cứ công việc gì với máy (vd., bảo dưỡng, thay dụng cụ v.v..) cũng như khi vận chuyển hay lưu kho, tháo pin ra khỏi dụng cụ điện.** Có nguy cơ gây thương tích khi vô tình làm kích hoạt công tắc Tắt/Mở.
- ▶ **Để được an toàn và máy hoạt động đúng chức năng, luôn luôn giữ máy và các khe thông gió được sạch.**

Khi pin không còn hoạt động được nữa, xin liên hệ một đại lý phục vụ hàng sau khi bán dụng cụ điện cầm tay do Bosch ủy nhiệm để được hướng dẫn. Nếu giả như máy bị trục trặc dù đã được theo dõi cẩn thận trong quá trình sản xuất và đã qua chạy kiểm tra, sự sửa chữa phải do trung tâm bảo hành-bảo trì dụng cụ điện cầm tay Bosch thực hiện. Trong mọi thư từ giao dịch và đơn đặt hàng phụ tùng, xin vui lòng luôn viết đủ 10 con số đã được ghi trên nhãn máy.

Dịch Vụ Sau Khi Bán và Dịch Vụ Ứng Dụng

Bộ phận phục vụ hàng sau khi bán của chúng tôi sẽ trả lời các câu hỏi liên quan đến việc bảo trì và sửa chữa các sản phẩm cũng như các phụ tùng thay thế của bạn. Hình ảnh chi tiết và thông tin phụ tùng thay thế có thể tìm hiểu theo địa chỉ dưới đây:

www.bosch-pt.com

Bộ phận dịch vụ ứng dụng Bosch sẽ hân hạnh trả lời các câu hỏi liên quan đến các sản phẩm của chúng tôi và linh kiện của chúng.

Việt Nam

Công ty Trách Nhiệm Hữu Hạn Robert Bosch
Việt Nam, PT/SVN
Tầng 10, 194 Golden Building
473 Điện Biên Phủ
Phường 25, Quận Bình Thạnh
Thành Phố Hồ Chí Minh
Việt Nam
Tel.: (08) 6258 3690 Ext 413
Fax: (08) 6258 3692
hieu.lagia@vn.bosch.com
www.bosch-pt.com

Vận Chuyển

Pin có chứa lithium-ion là đối tượng phải tuân theo các quy định của Pháp Luật về Hàng Hóa Nguy Hiểm. Người sử dụng có thể vận chuyển pin bằng đường bộ mà không cần có thêm yêu cầu nào khác. Khi được vận chuyển thông qua bên thứ ba (vd. vận chuyển bằng đường hàng không hay đại lý giao nhận), phải tuân theo các yêu cầu đặc biệt về đóng

gói và dán nhãn. Để chuẩn bị cho món hàng sẽ được gửi đi, cần tham khảo ý kiến của chuyên gia về vật liệu nguy hiểm.

Chỉ gửi pin đi khi vỏ ngoài không bị hư hỏng. Dán băng keo hay che kín các điểm tiếp xúc để hở và đóng gói pin cách sao cho pin không thể xô dịch khi nằm trong bao bì được.

Cũng xin vui lòng tuân theo qui định chi tiết có thể có của mỗi quốc gia.

Thải bỏ



Máy, pin nạp điện lại được, phụ kiện và bao bì phải được phân loại để tái chế theo hướng thân thiện với môi trường.

Không được vứt bỏ dụng cụ điện, pin/pin nạp điện lại được vào chung với rác sinh hoạt!

Pin lỏng/pin:



Li-ion:

Xin vui lòng tuân thủ theo thông tin dưới đây "Vận Chuyển", trang 34.

Được quyền thay đổi nội dung mà không phải thông báo trước.